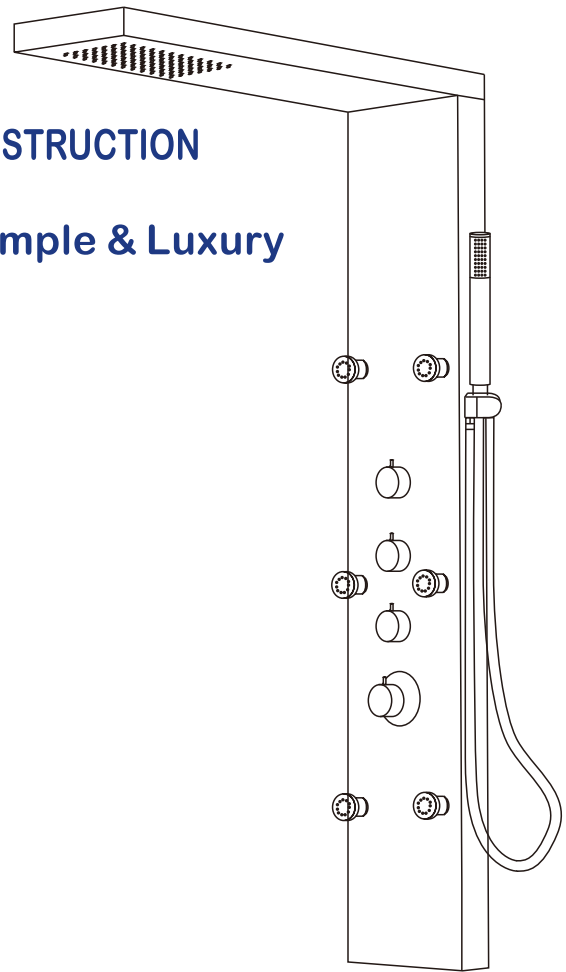


MULTI-FUNCTION SHOWER PANEL

INSTRUCTION
Simple & Luxury



TO GET STARTED

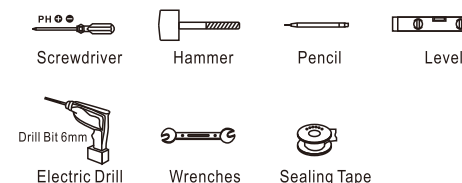
- Before you begin, read all instructions carefully. This manual is a graphic reference for installation purposes. Some graphic elements and components may differ.
- Inspect unit carefully to ensure there is no damage or defects. If such is the case, please contact us freely.
- Make sure you have received all parts (tools not included).
- Consult local building codes to ensure that installation complies with standards in your area.

WE STRONGLY SUGGEST YOU LET A SPECIALIST PROCEED WITH THE INSTALLATION.

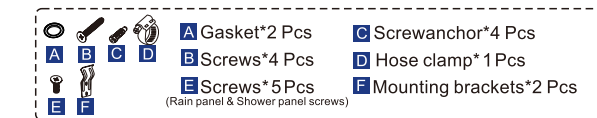
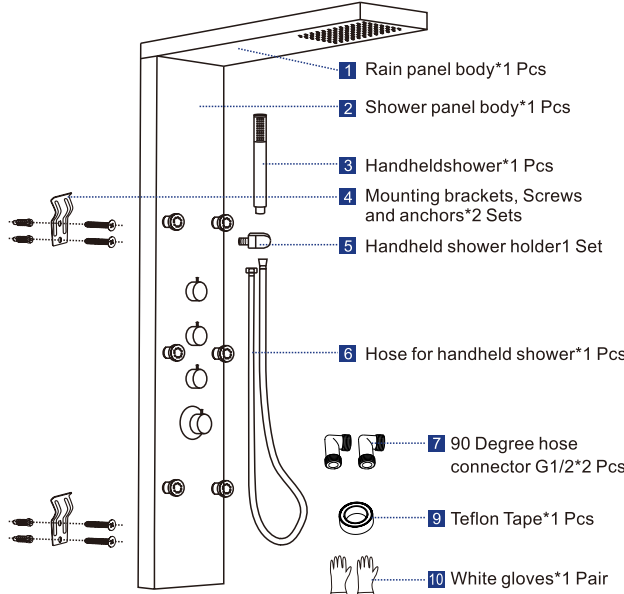
TECHNICAL DATA

- **Operating pressure:** Max.1MPa
- **Recommended operating pressure:** 0.22-0.5MPa
- **Test pressure:** 1.5MPa (1MPa=10bar=147 PSI)
- **Hot water temperature:** Max.176°F
- **Recommended hot water temperature:** 149°F
- **Connections (cold right-hot left):** G1/2

RECOMMENDED TOOLS FOR INSTALLATION

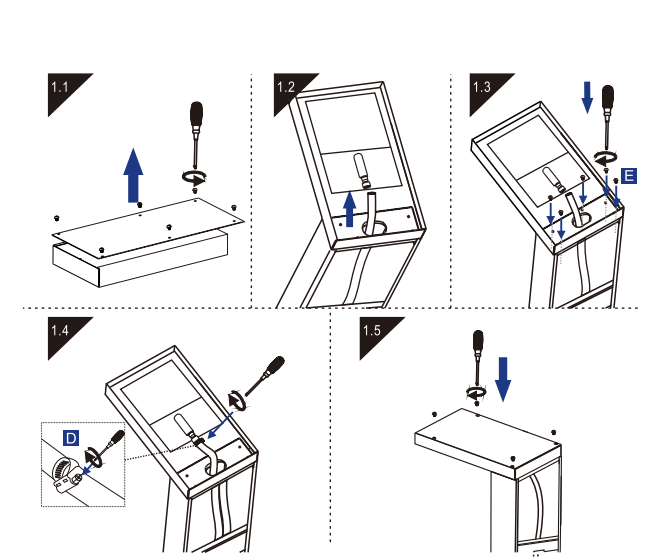


PARTS LIST

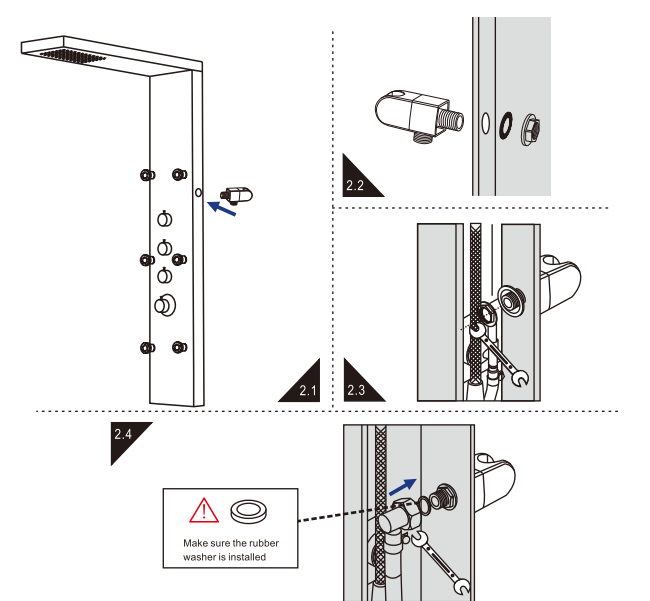


INSTALLATION GUIDE

Step 1 Rain shower and Body shower panel connect

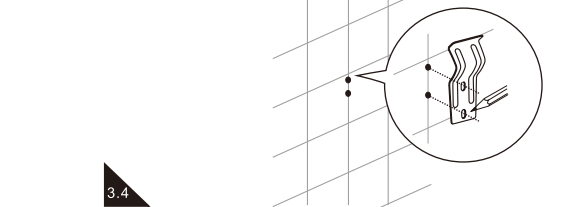
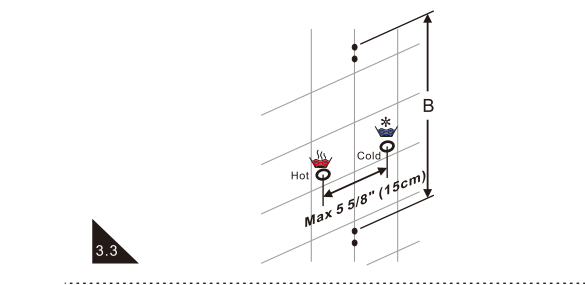
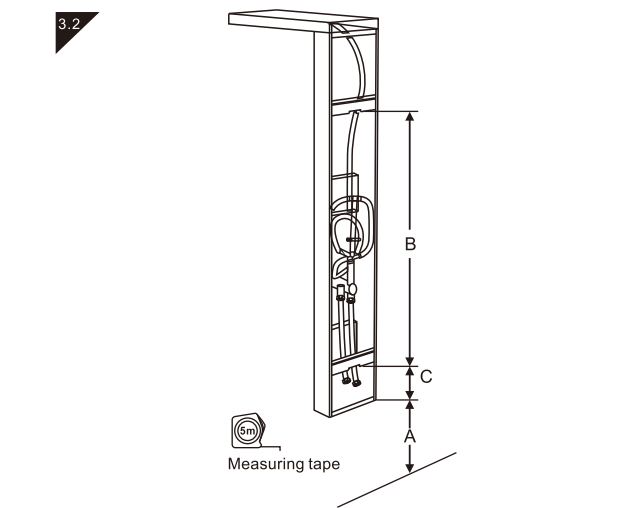
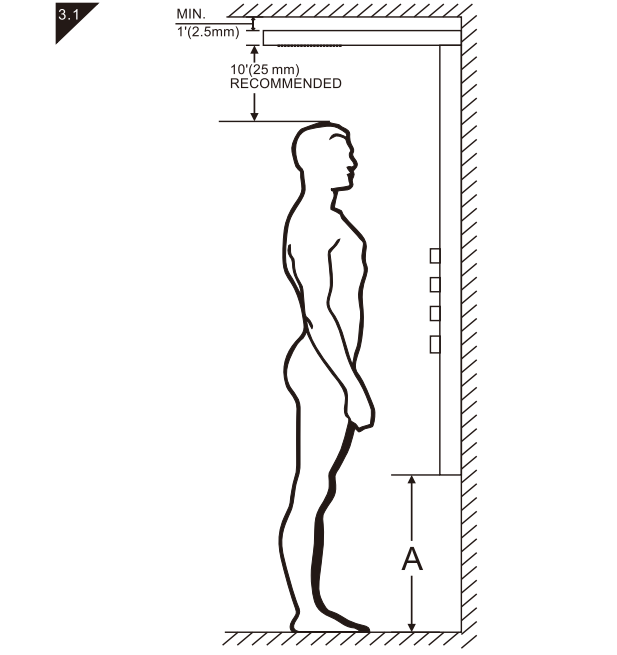


Step 2 Handheld shower holder installation



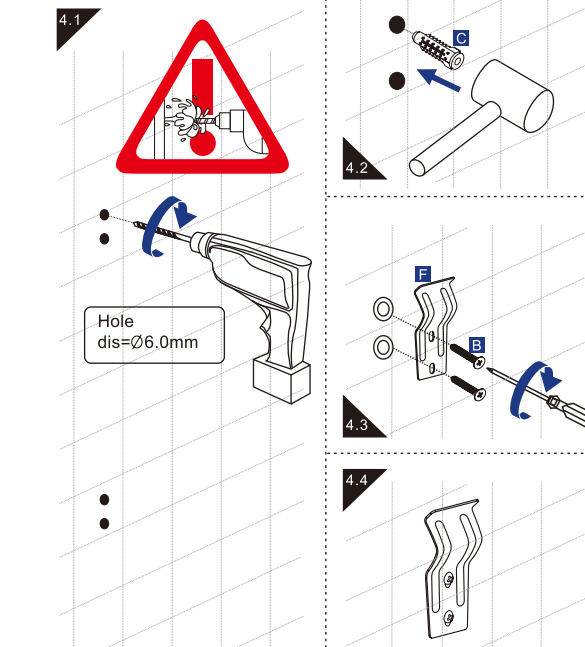
Step 3 Measurement

- Adjust the plumbing to ensure that there is adequate space for the shower to be installed.
- Establish the precise height and position of the unit on the wall.
- We recommend to leave a 10*(25 cm) space between the shower head and the average height of the people in the house as well as a minimum distance of 1*(2.5 cm) from the ceiling.

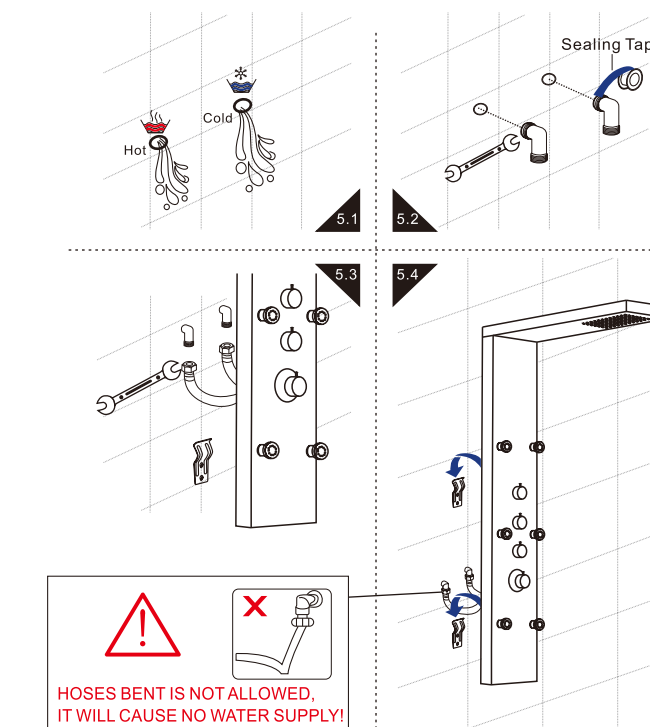


- 3.1 Measure the total height A from the floor to the bottom of the shower panel,
 - 3.2 Measure the distance C between the lower bracket and the bottom of the shower panel,
 - 3.3 Measure the distance B between the 2 brackets,
 - 3.4 Project this measurement onto the wall in order to install the mounting brackets.
- Mark the position of each screw holes of both mounting brackets on the wall using a pencil.

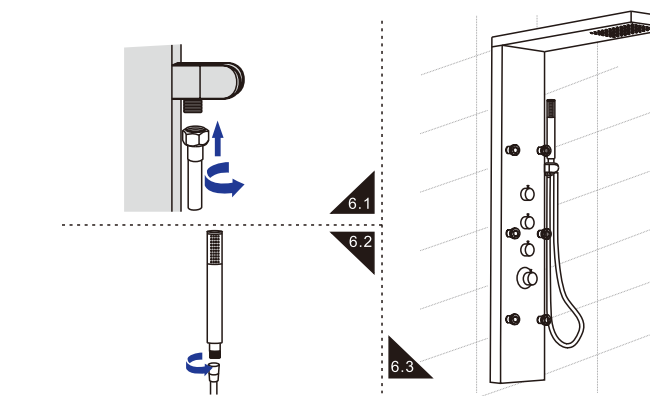
Step 4 Mounting Brackets Installation



Step 5 Water supply checking and supply hoses connection



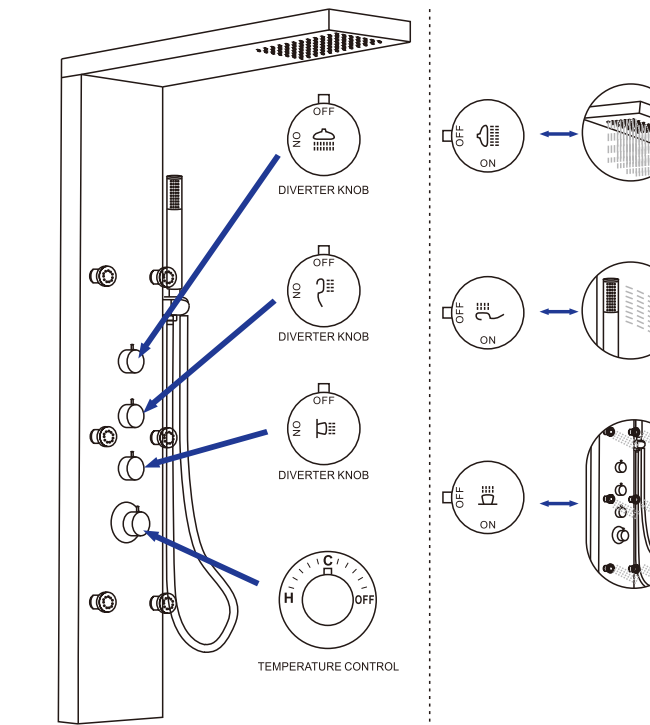
Step 6 Hand shower connection



Step 7 Test

- 7.1 No water leakage at any connection;
- 7.2 All shower modes works well.

USAGE GUIDE



CARE AND MAINTENANCE

- Wipe with a soft towel after each use. Use mild dishwashing detergent to keep surfaces bright and clean. Rinse well and dry with a clean cloth.
- Powdered detergents and abrasive liquid cleaners may damage surfaces.
- Do not allow the surface to come into contact with corrosive products such as acetone, nail polish remover, dry cleaning solution, lacquer, paint thinner, gasoline, or etc.
- Any cleaning product should be tested on an inconspicuous surface before using to clean.

MORE DESIGN

- The shower panel designs are different, the instruction just for reference for the installation and usage.
- The Specific operations are subject to the actual shower panel.