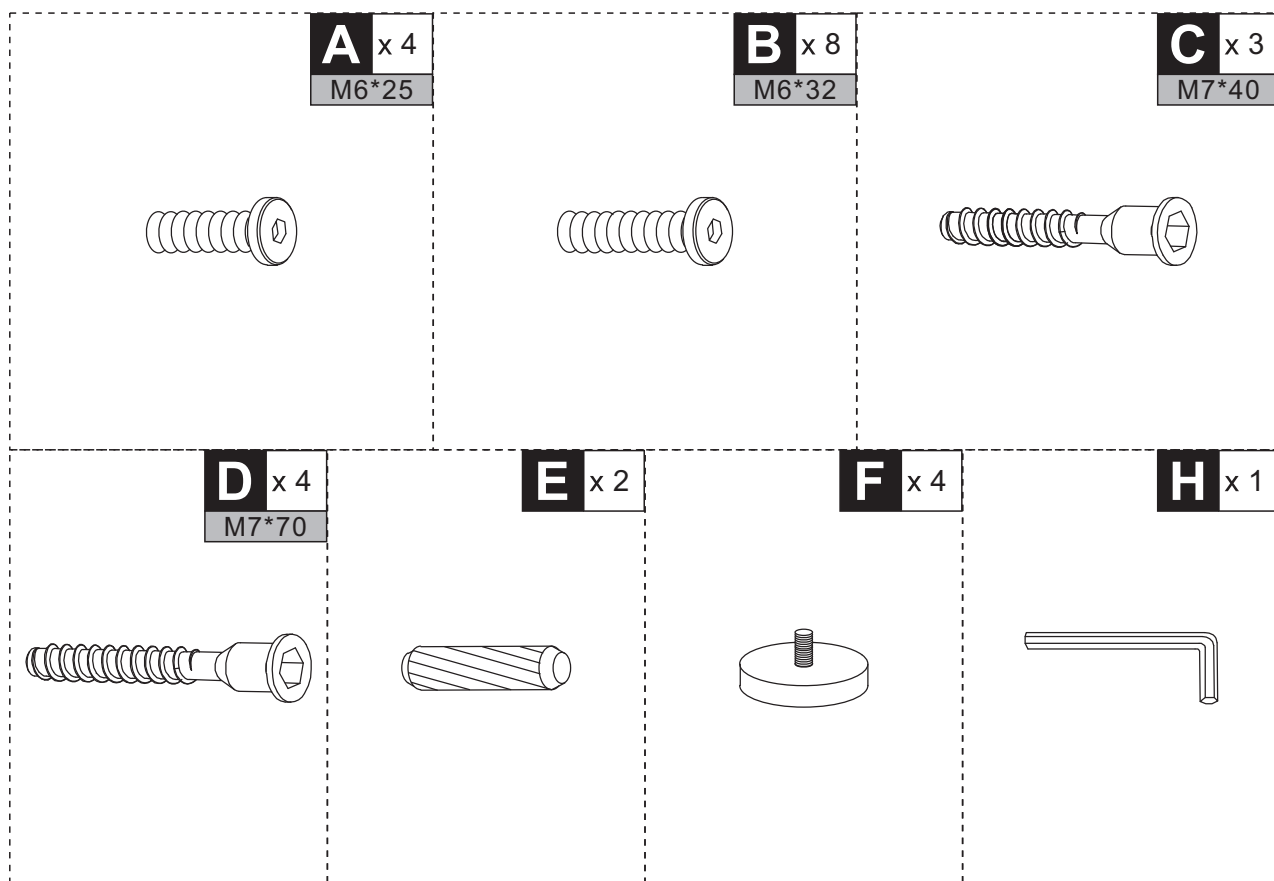
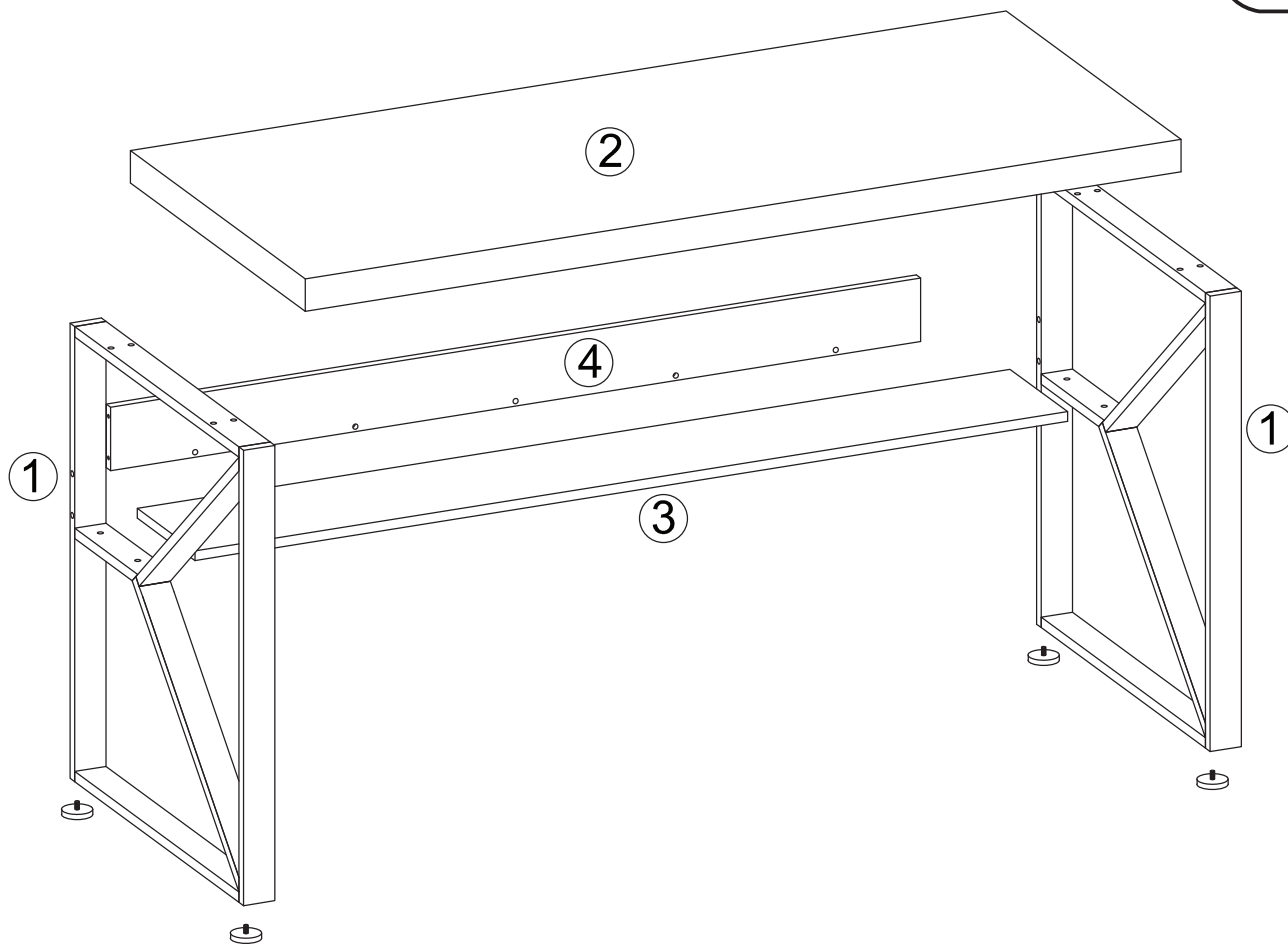


IMPORTANT, RETAIN FOR FUTURE REFERENCE: READ CAREFULLY

# ASSEMBLY & INSTRUCTION MANUAL





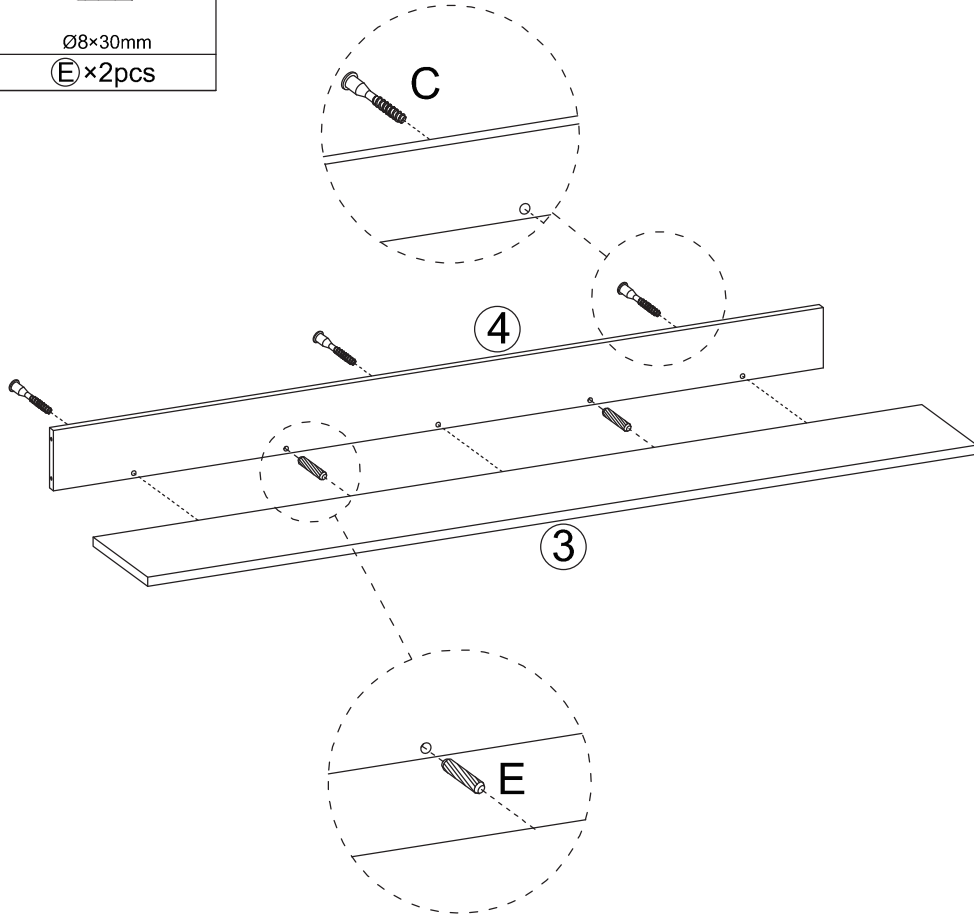
Ø7×40mm

C ×3pcs



Ø8×30mm

E ×2pcs



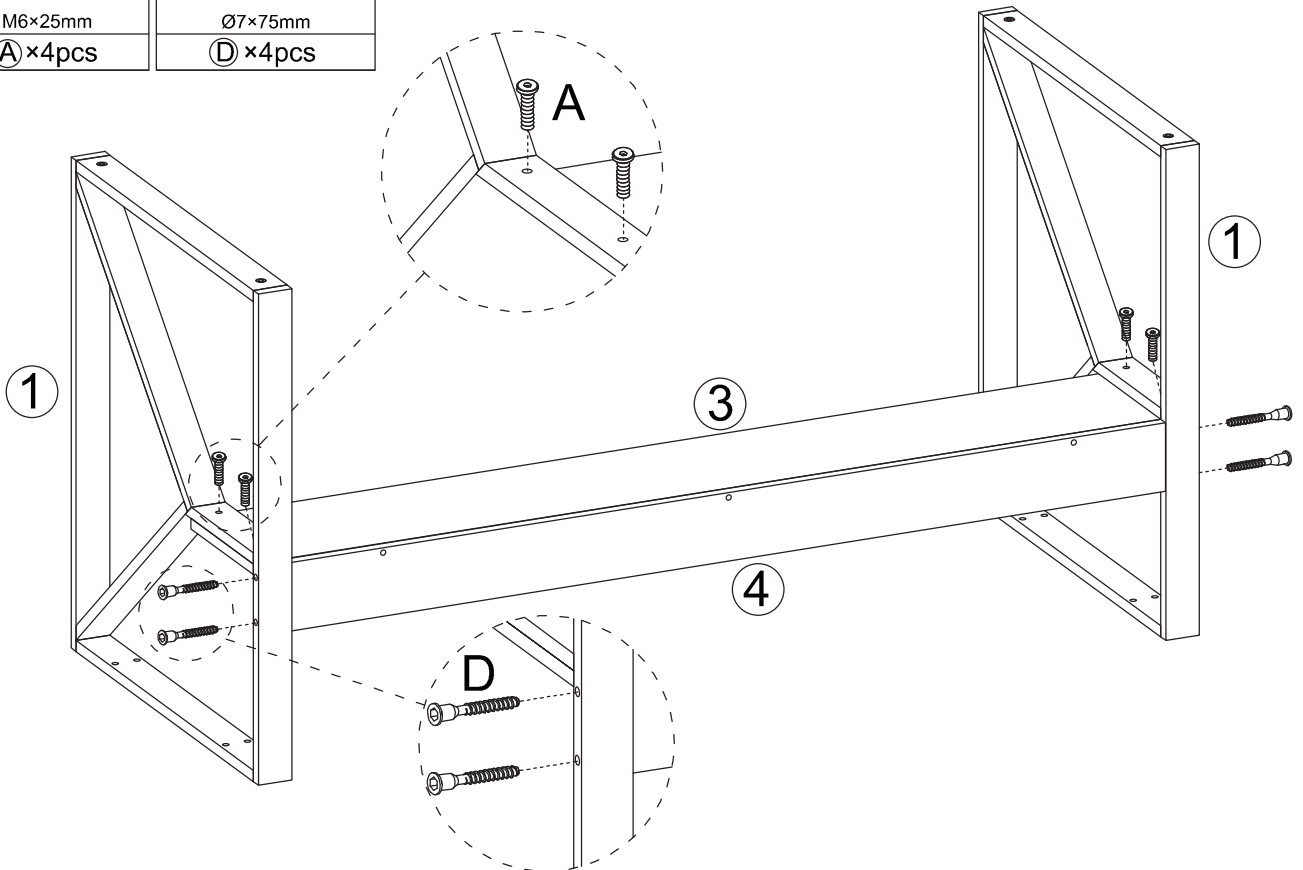
M6×25mm

A ×4pcs



Ø7×75mm

D ×4pcs





M6×32mm

Ⓑ ×8pcs



Ⓕ ×4pcs

