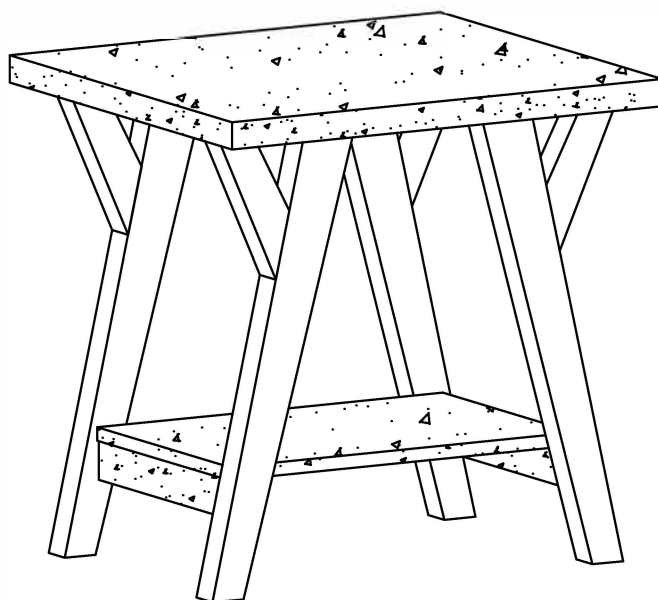


ASSEMBLY INSTRUCTION

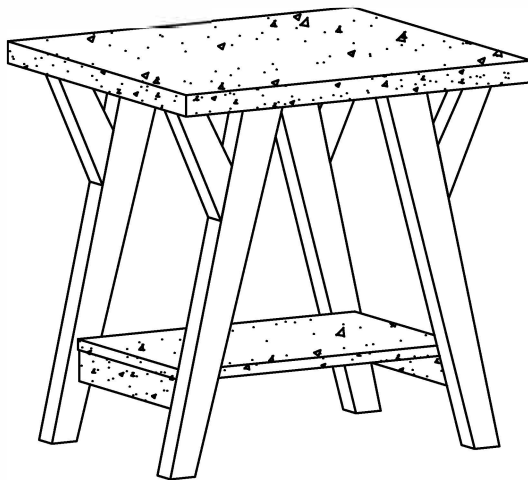


ASSEMBLY INSTRUCTION

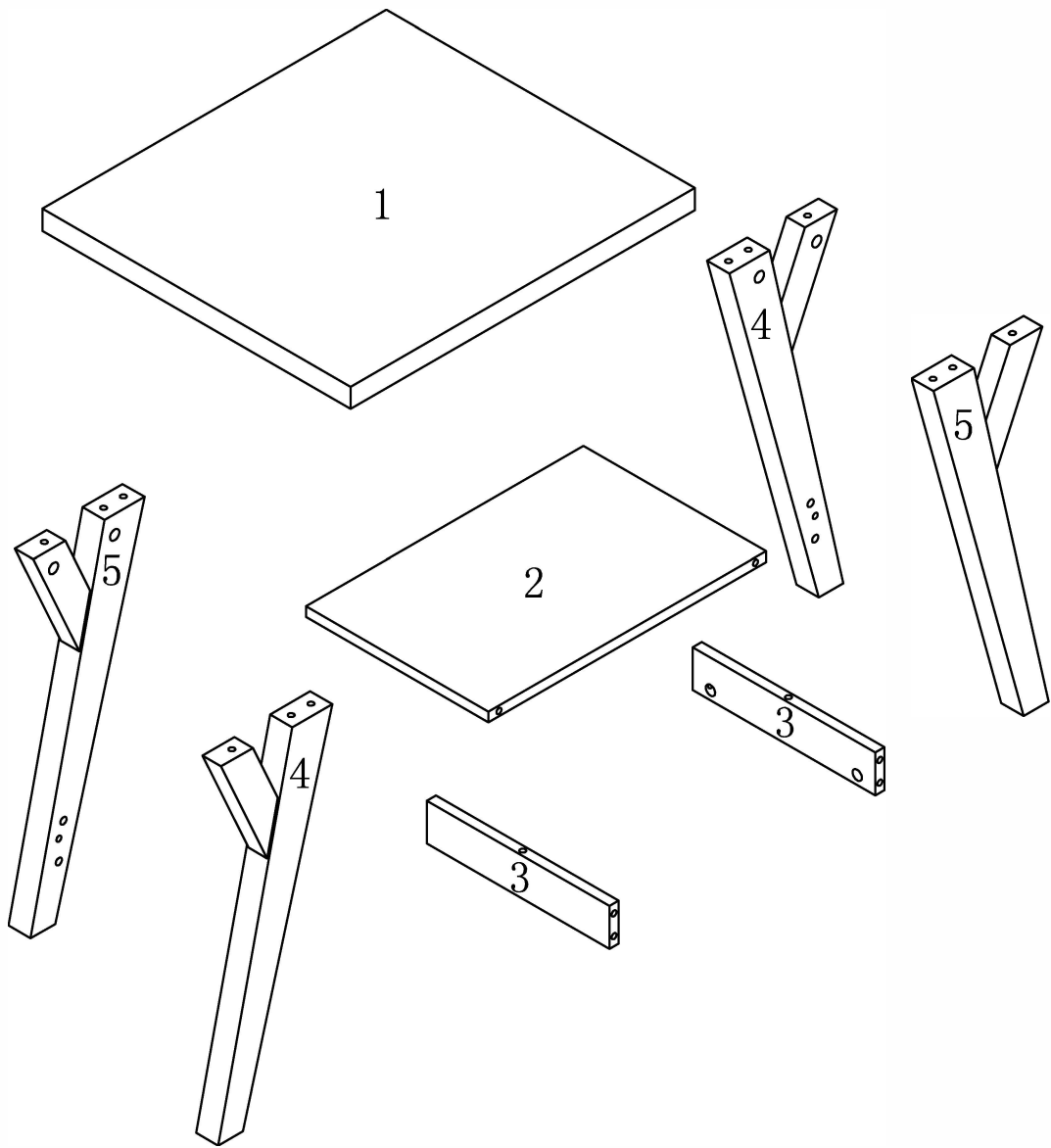
PLEASE READ BEFORE ASSEMBLING!

Tip #1: Make sure you've taken all the pieces and hardware out of its packaging before discarding the box.

Tip #2: Using page 2 and/or page 3 of instruction manual make sure all pieces and hardware are accounted for.






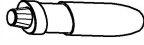


PARTS IDENTIFICATION



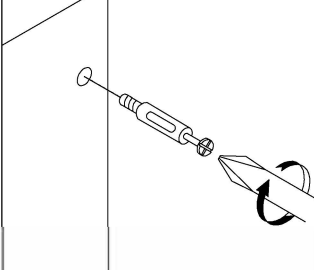
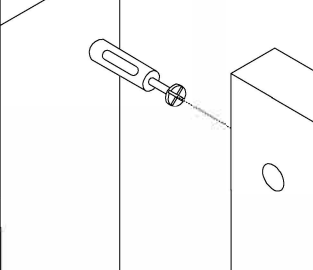
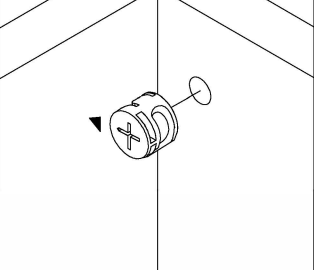
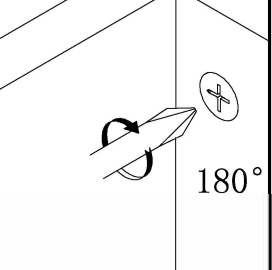


- | | |
|-----|------|
| (1) | 1pc |
| (2) | 1pc |
| (3) | 1pc |
| (4) | 1pc |
| (5) | 2pcs |

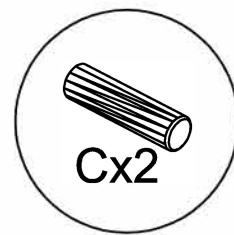
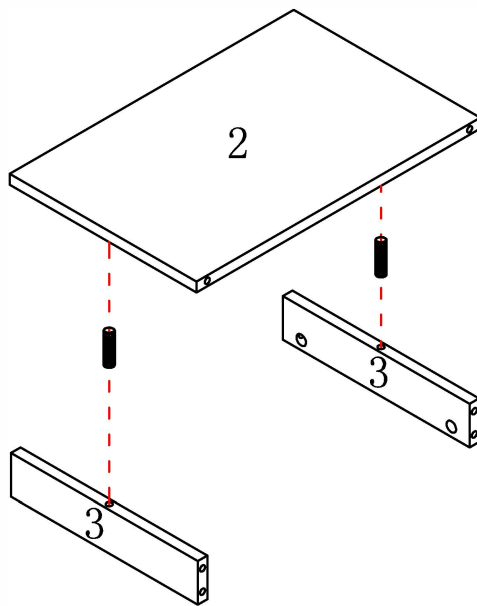
HARDWARE IDENTIFICATION

A		L29	16PCS
B		$\Phi 15$	16PCS
C		$\Phi 8 \times 25$	10PCS
D		$\Phi 16$	4PCS
E		$\Phi 22$ (DGY)	8PCS
F		Glue: For securing please apply to wood dowel first before inserting into panel	1PC

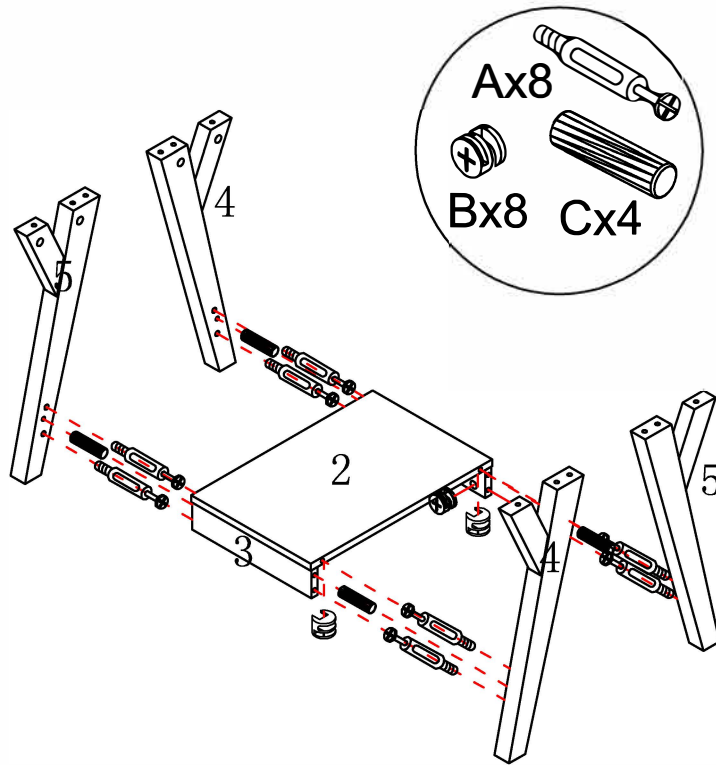
HARDWARE IDENTIFICATION

HOW TO	1	2	3	4
 Cam Bolt  Cam Lock				
	1. Screw Cam Bolt into panel.	2. Insert Cam Bolt into bolt hole of joining panel.	3. Insert Cam Lock. arrow facing bolt.	4. Gently turn Cam Lock clockwise to lock position.

STEP 1



HARDWARE IDENTIFICATION



STEP2

STEP3

