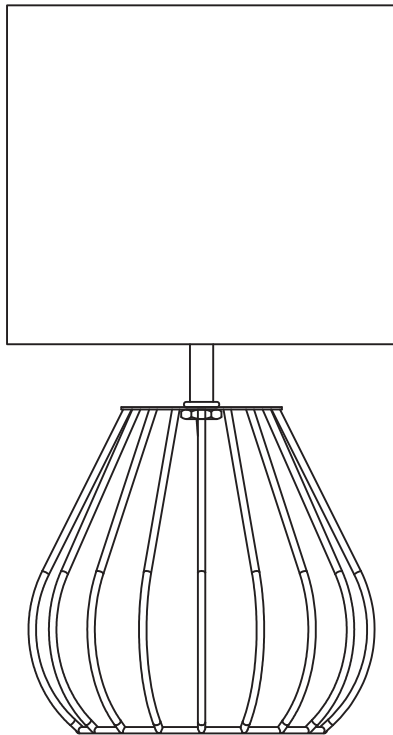


Installation & Assembly

Table Lamp



General Guidelines

- Please pay attention to the warning signs.
- Please read the instructions with caution before operating and keep it properly.
- This summary may not include every detail of all variations and considered steps. Please feel free to contact us if further information and help are needed.

Warning

1. Before assembly, place all parts out on a clean flat surface and inspect each part for defects that may have occurred during shipping.
2. Inspect wire insulation for any cuts, abrasions or exposed copper that may have resulted during shipping. If there are any defects in the wire, DO NOT continue assembly. Please send an email to our Customer Service immediately.
3. Consult a qualified electrician if you have any electrical questions.
4. To reduce the likelihood of tipping over, we recommend placing the lamp behind furniture and keep children and pets away.
5. Never drape clothes over the lamp.
6. To prevent children from suffocating and choking, keep them away from packing materials.
7. Please keep this manual and hand it over when you transfer the product.

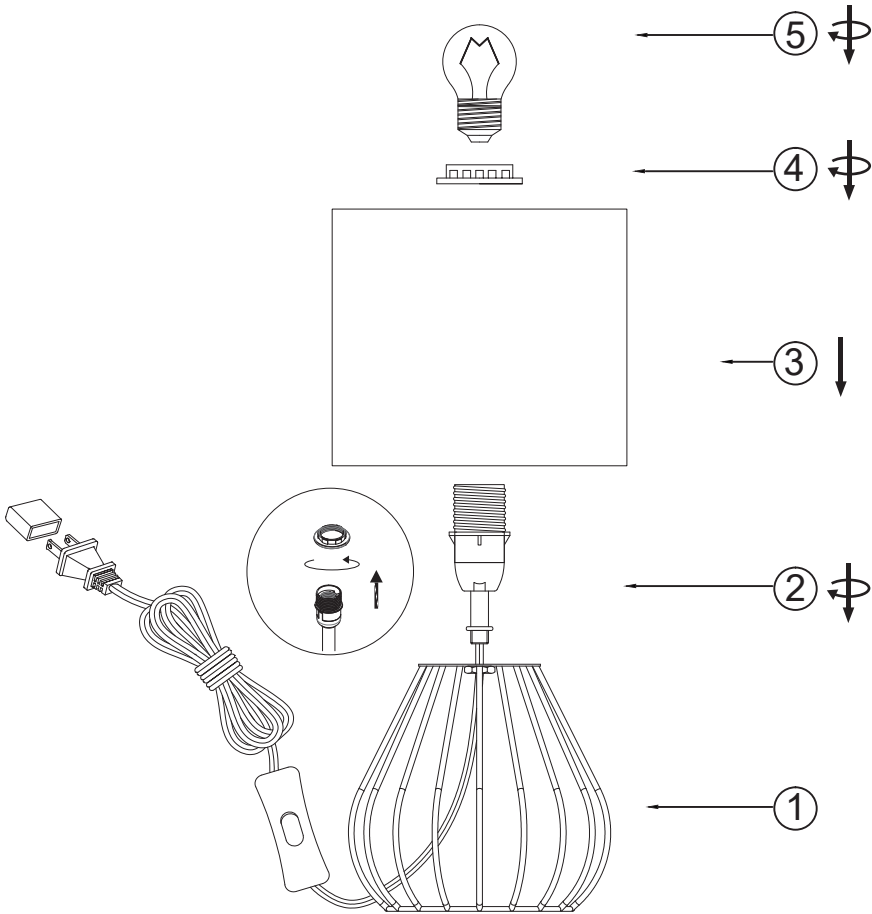
Specifications

- Product Height: 12.6 IN (32cm)
- Wire Length: 65 IN (165cm)
- Input Voltage: 120Vac 60Hz
- E26 Socket Max Load: LED Bulb 12 W or Incandescent Bulb 60 W
- Bulb: 4W 2700K G45

After-sales Service

- For any questions or concern, please attach your Order ID and Name so that our professional customer service team help you within 24 hours.

Parts Included & Assembly



1. Pull and tighten the power cord, then screw the socket ② onto the base ① until tight.
2. Place the shade ③ on socket ②, then screw on the socket ring ④ to fix the shade.
3. Screw the Bulb ⑤ onto Socket ② until tight.