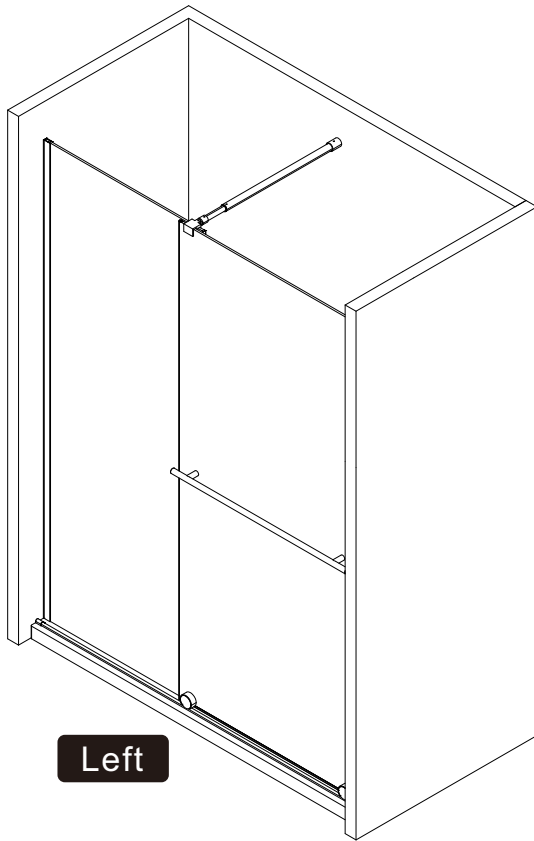


# RDY07B

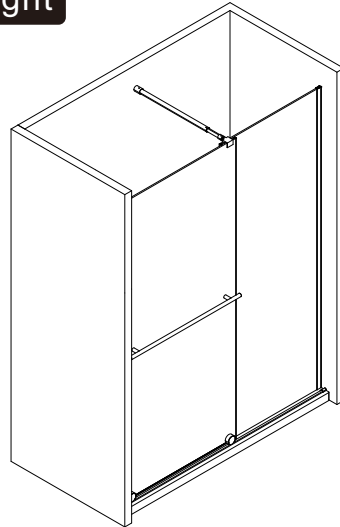
## Different Types of Installation

A

**Option A:**  
For wall to wall installation,  
shower sliding door

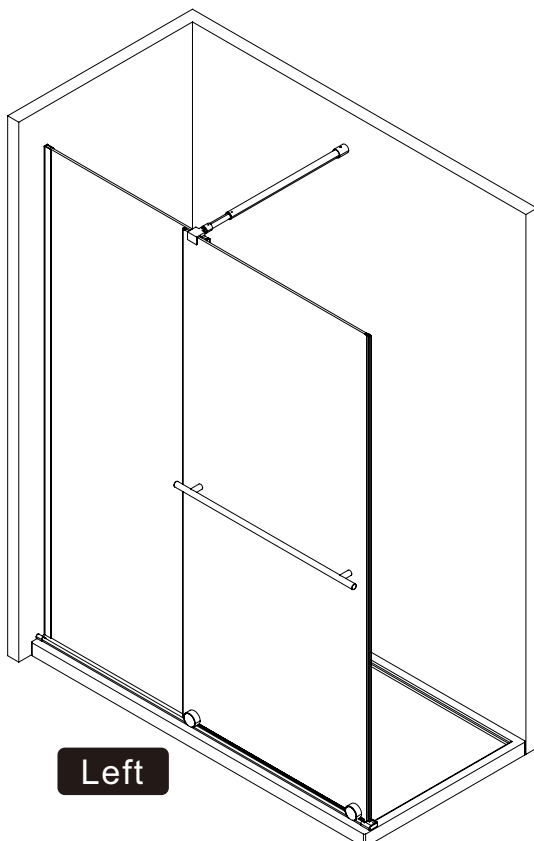


Right

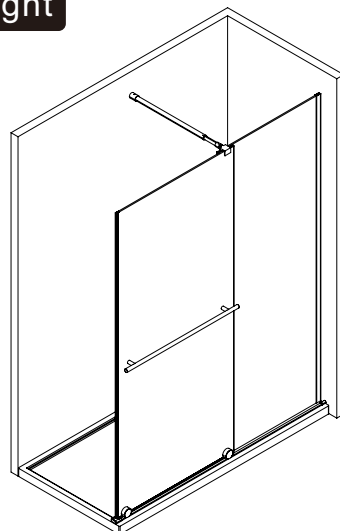


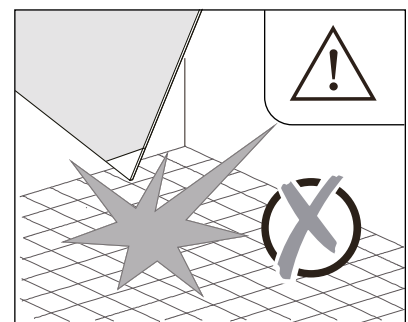
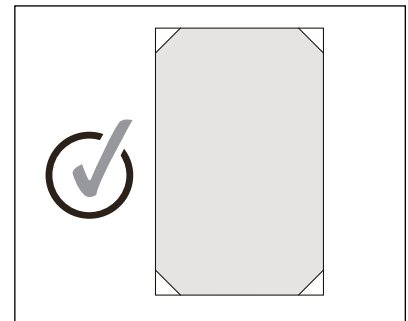
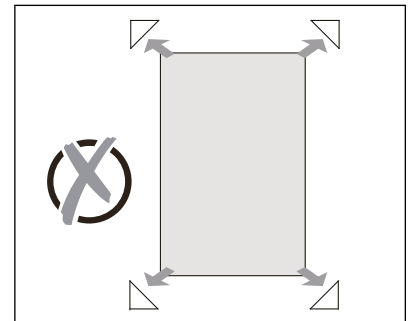
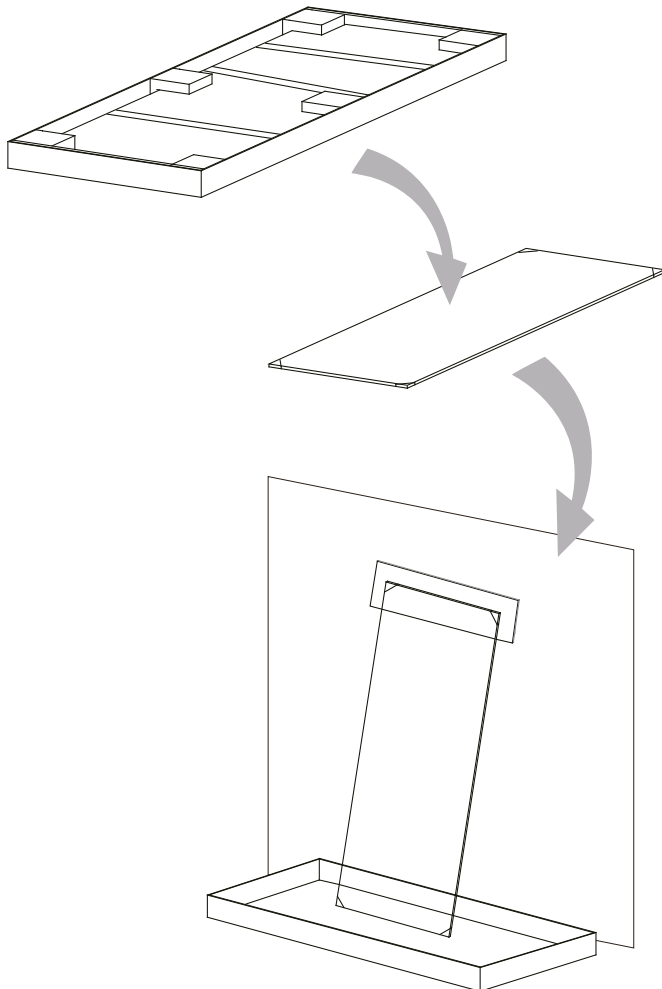
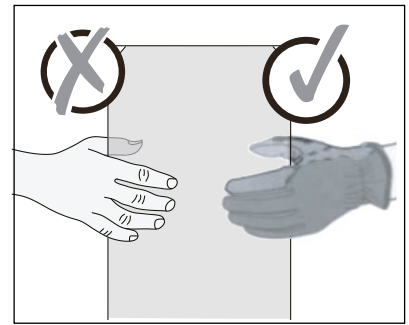
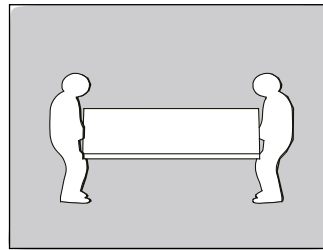
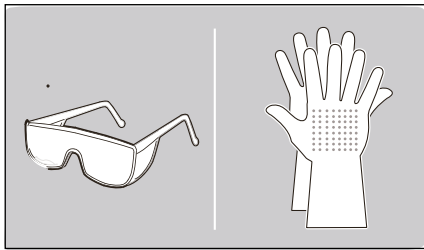
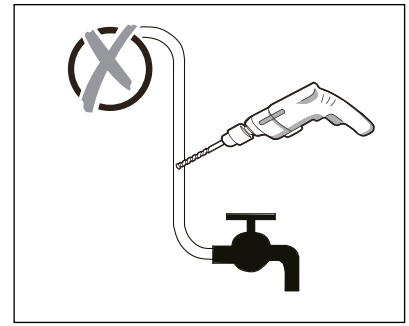
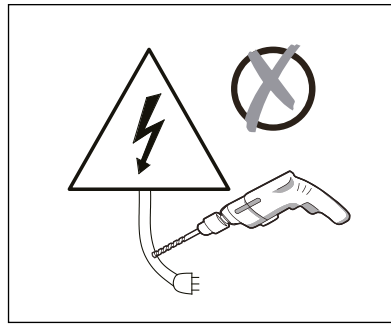
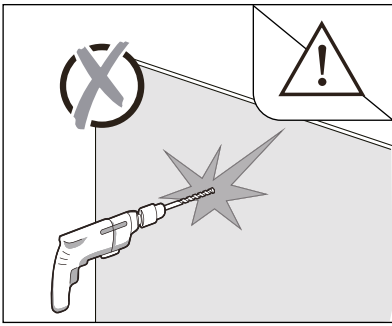
B

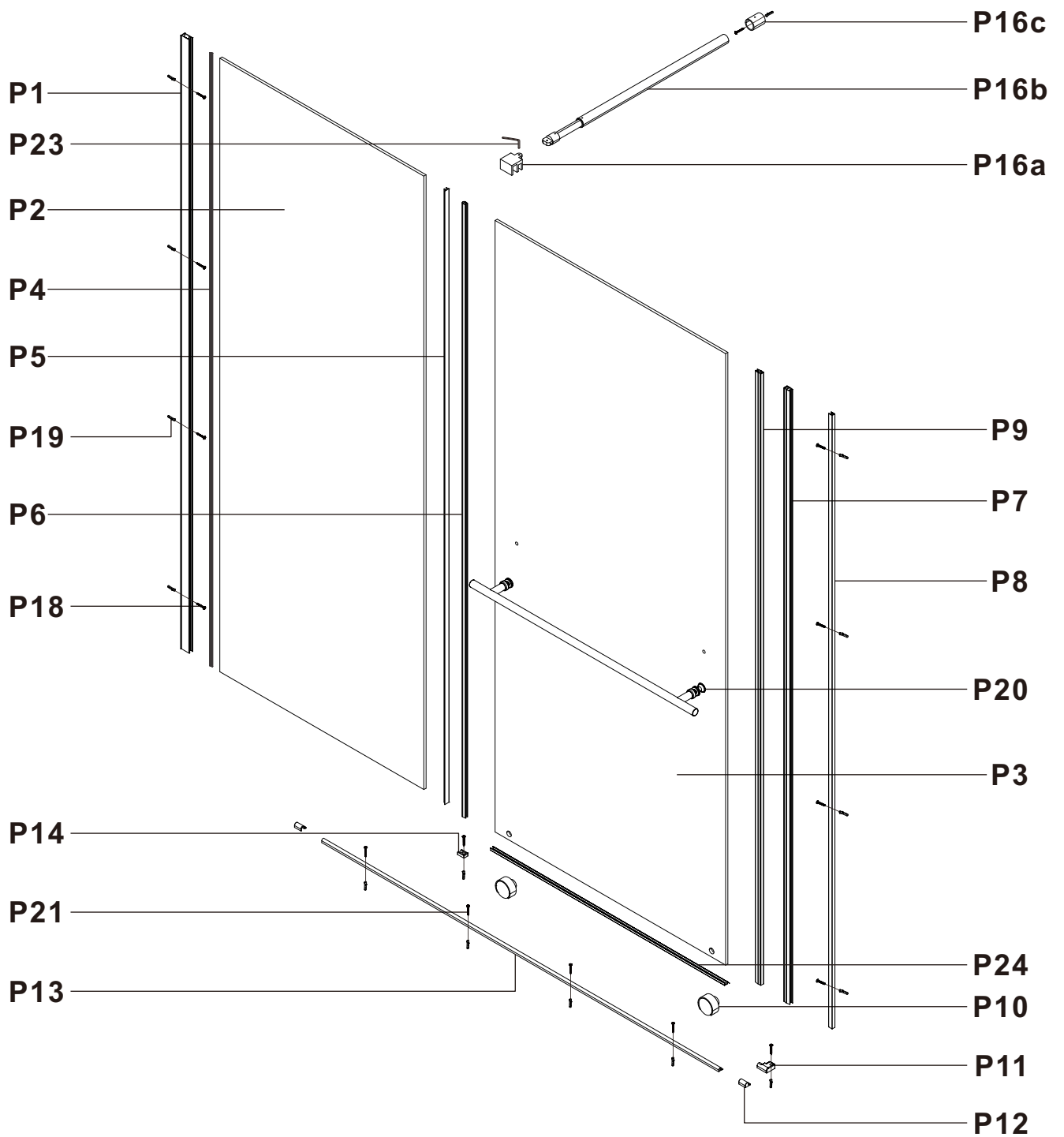
**Option B:**  
For 1-side wall shower  
walk-in wetroom



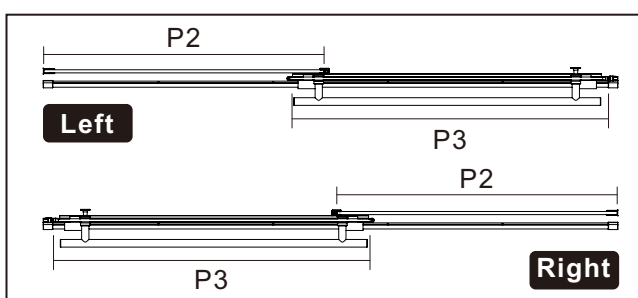
Right



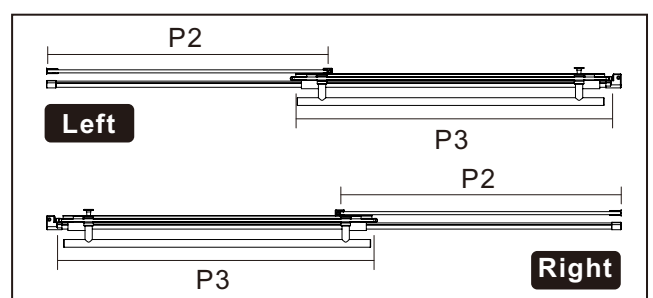


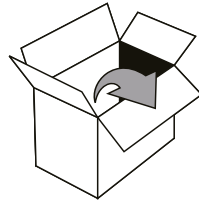


**Option A**



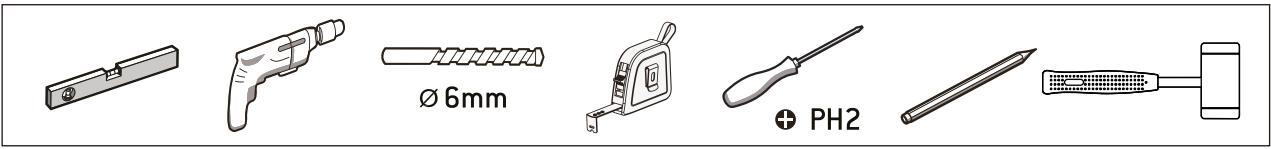
**Option B**



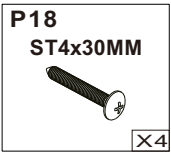
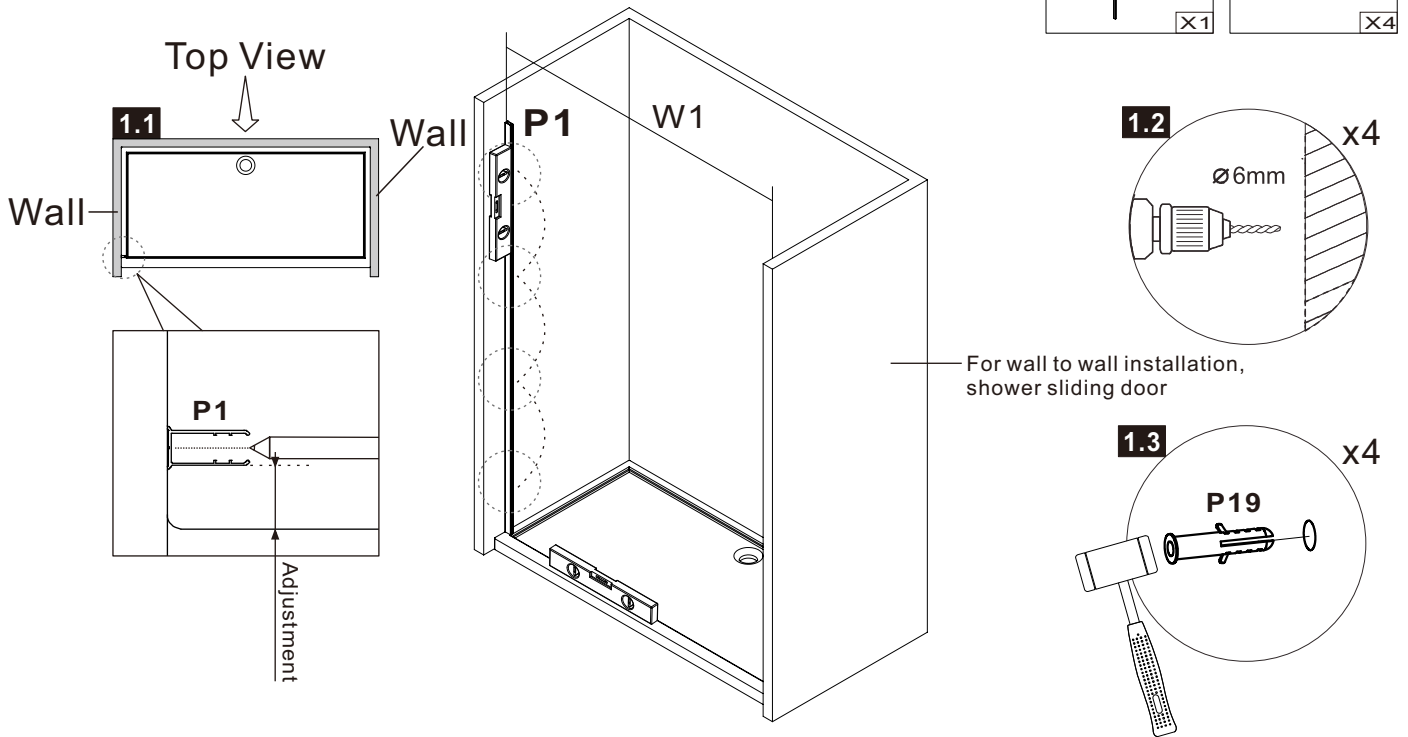


<b>P1</b>  X1	<b>P2</b>  X1	<b>P3</b>  X1	<b>P4</b>  X1
<b>P5</b>  X1	<b>P6</b>  X1	<b>P7</b>  X1	<b>P8</b>  X1
<b>P9</b>  X1	<b>P10</b>  X2	<b>P11</b>  X1	<b>P12</b>  X1
<b>P13</b>  X1	<b>P14</b>  X1	<b>P16</b>  X1	
<b>P18</b> ST4x30MM  X9	<b>P19</b>  X15	<b>P20</b>  X1	<b>P21</b> ST4x25MM  X6
<b>P23</b>  X1	<b>P24</b>  X1		

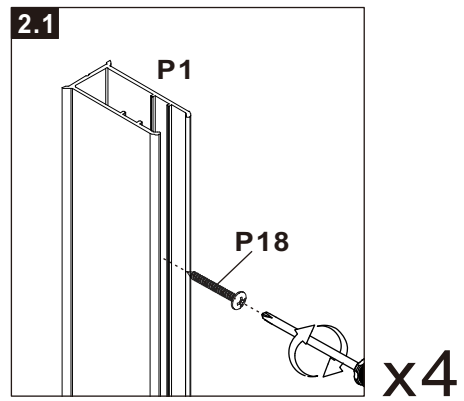
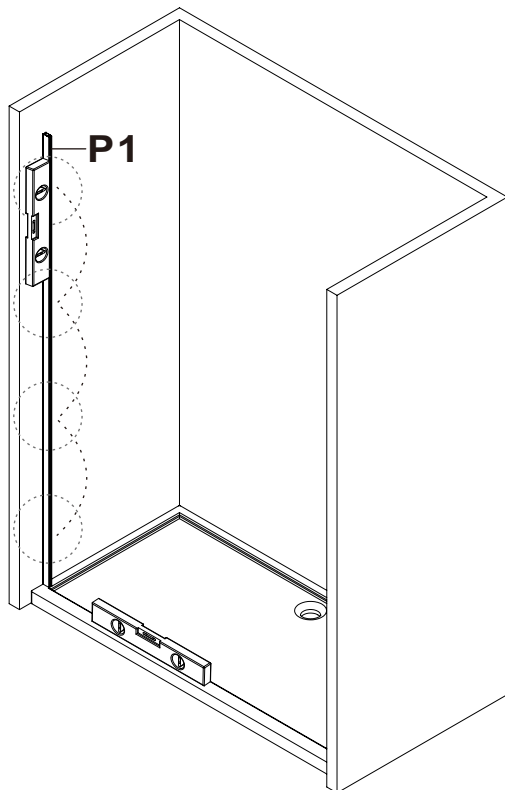
 Ø 6mm	
 Ø 6mm	
 ⊕ PH2	
 Ø 3mm	

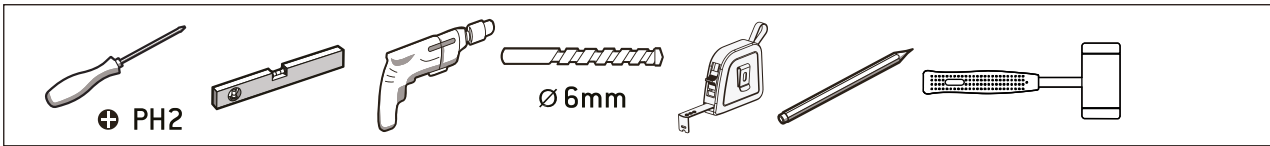


# 1 Wall Profile Installation

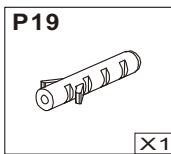
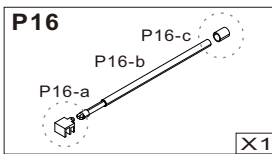
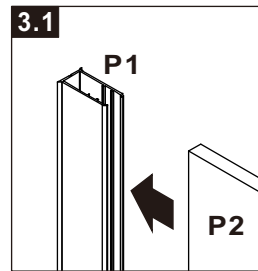
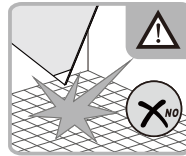
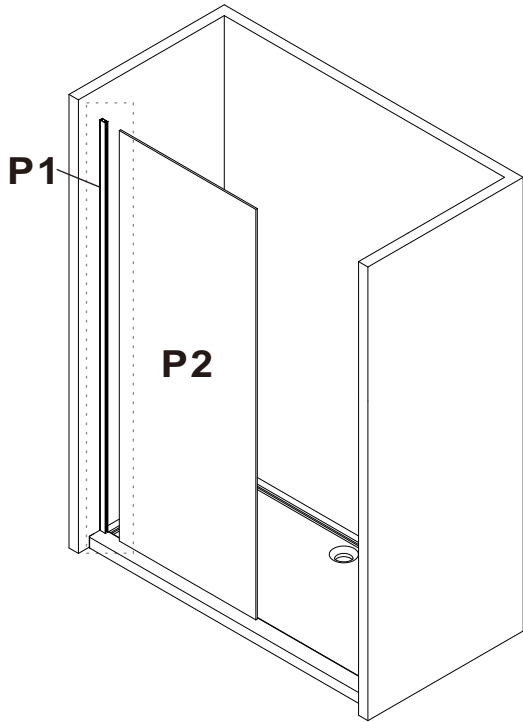
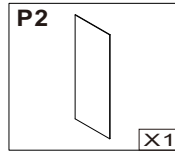


# Wall Profile Installation 2



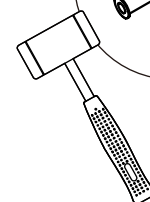
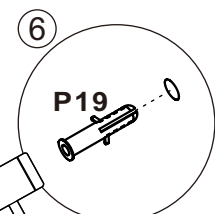
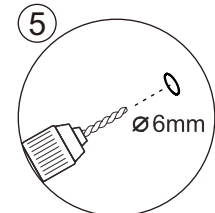
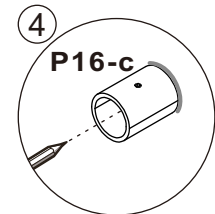
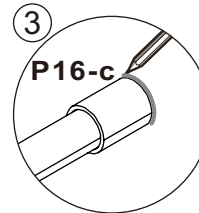
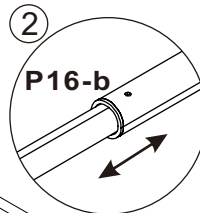
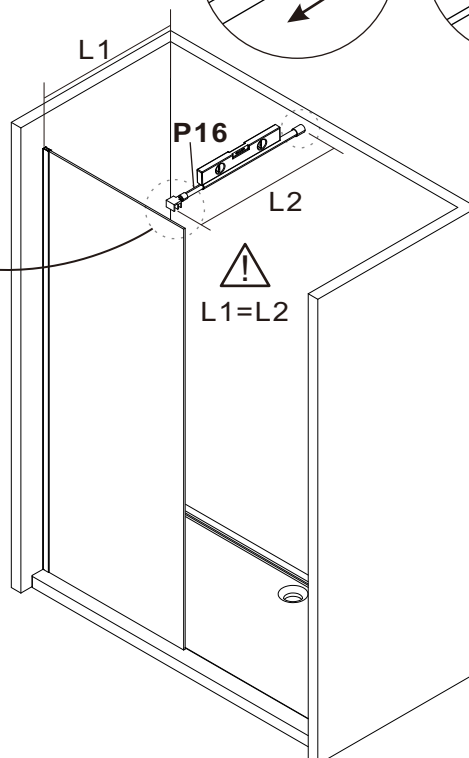
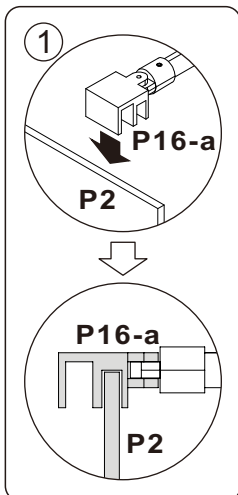
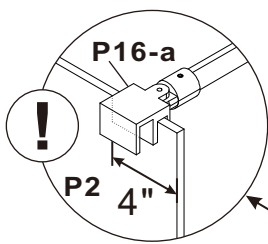


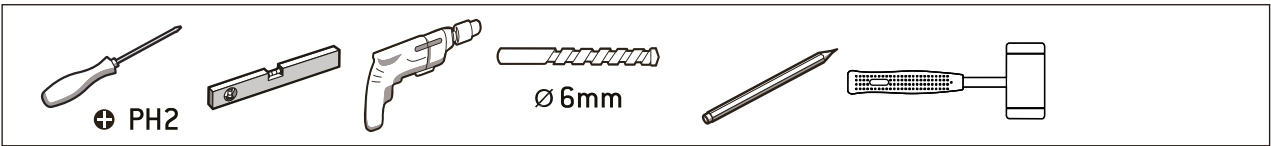
### 3 Fixed Glass Installation



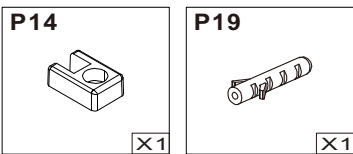
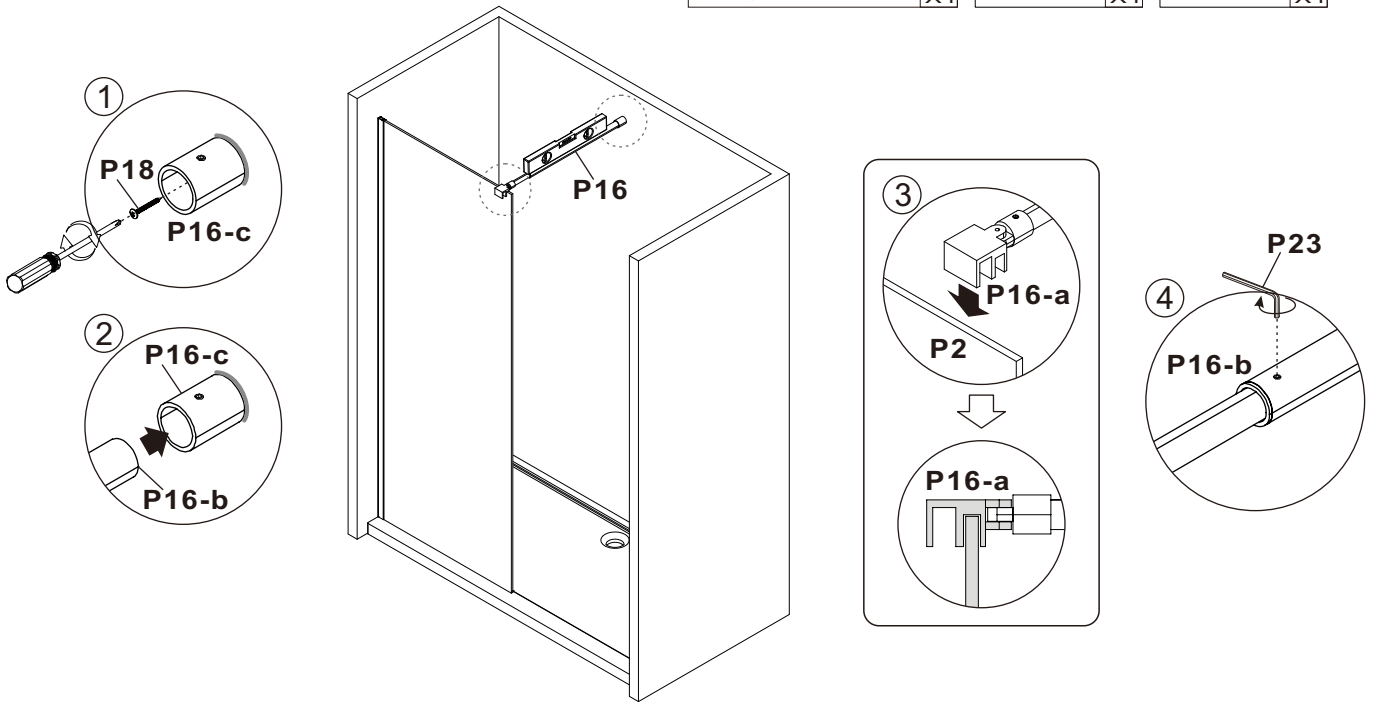
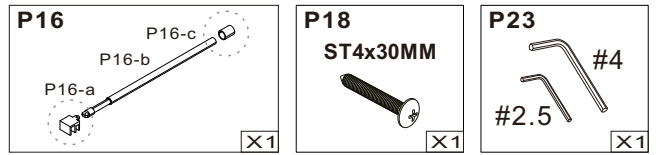
### Support Bar Installation 4

Note: the support bar shall be fixed less than 4" from the glass edge.

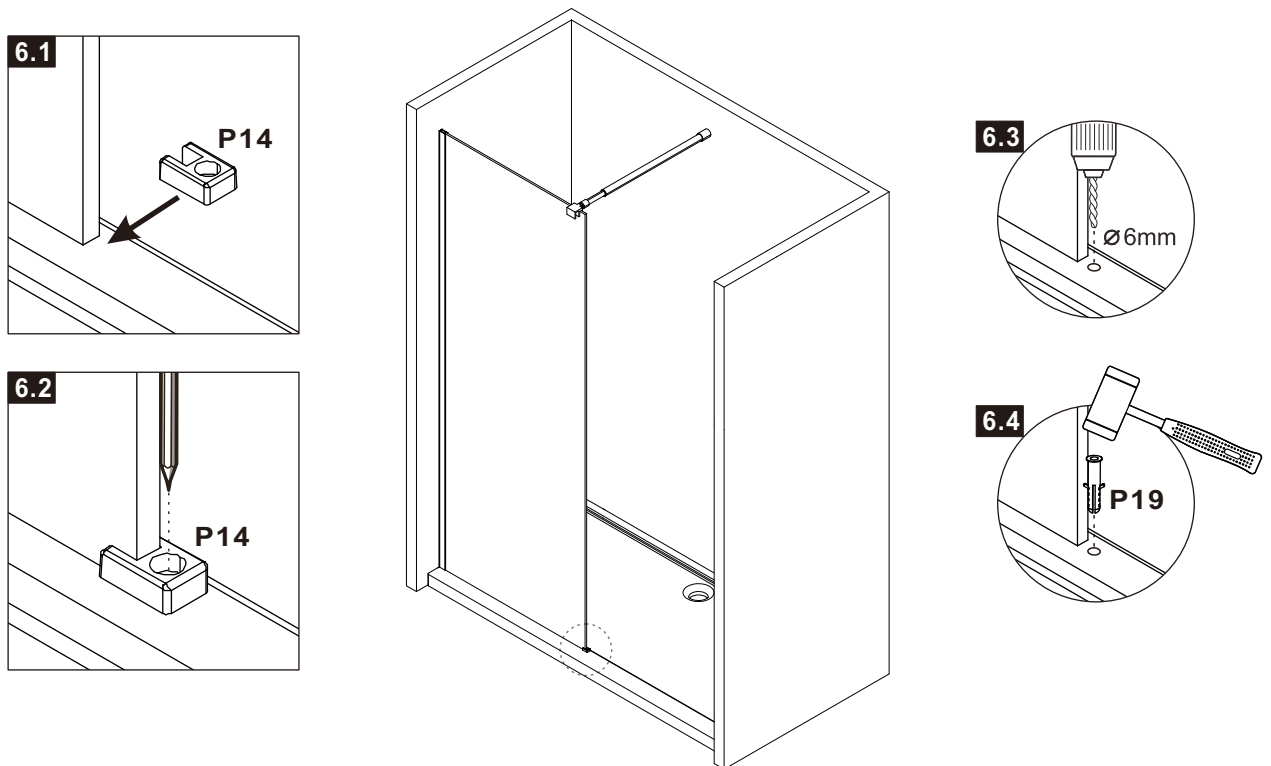


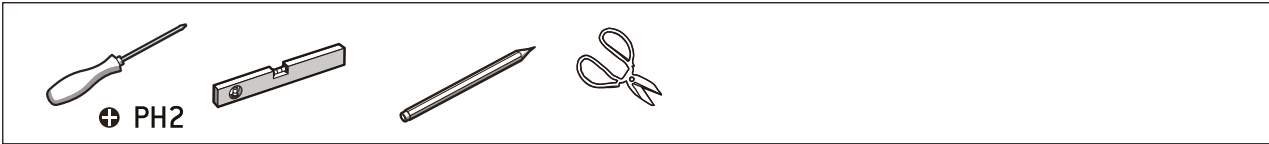


## 5 Support Bar Installation

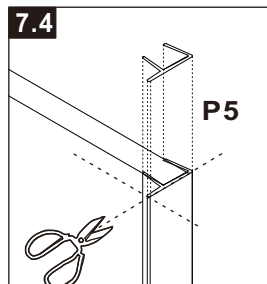
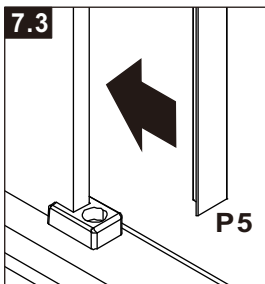
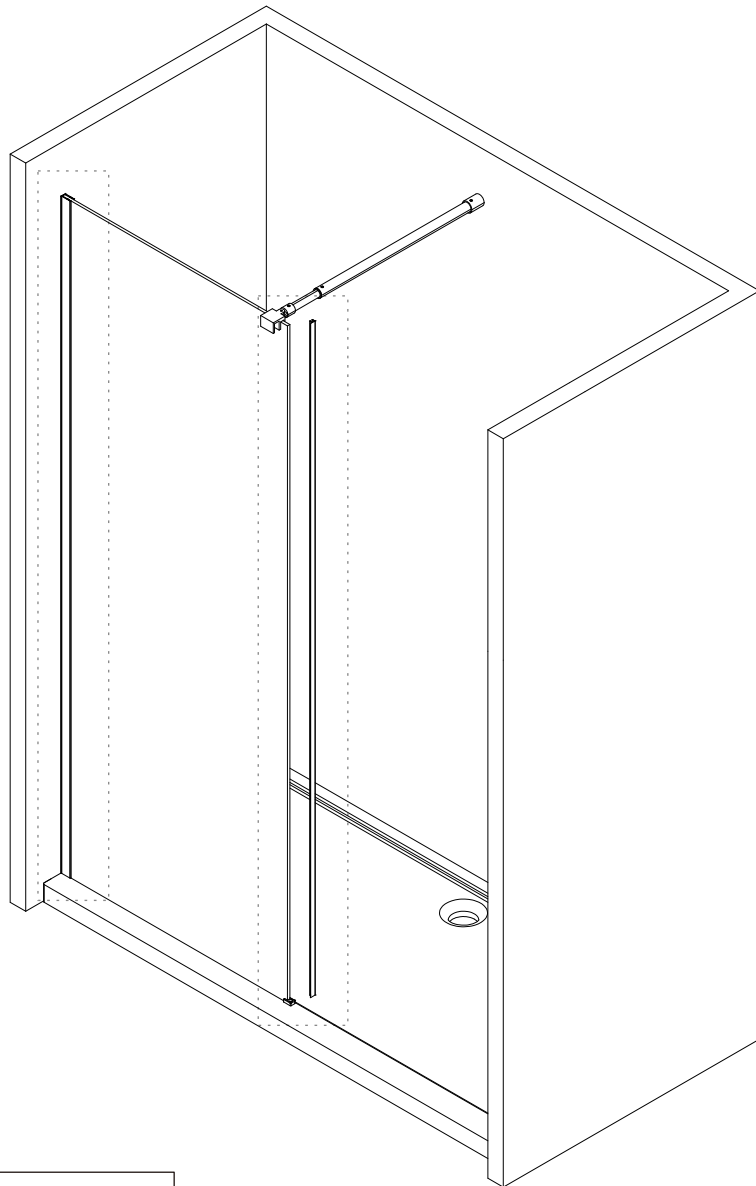
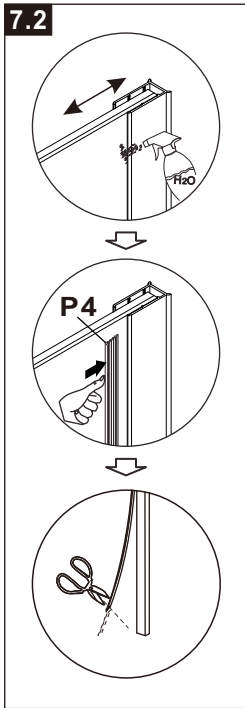
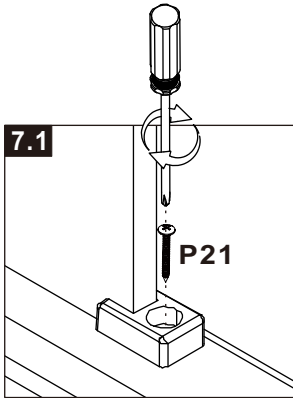
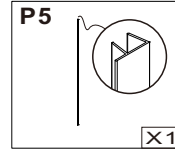
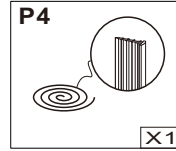


## Bottom Fixture Installation 6





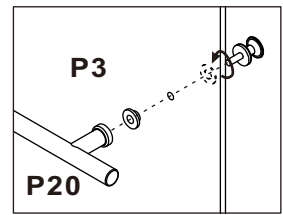
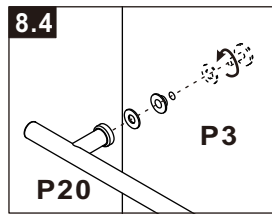
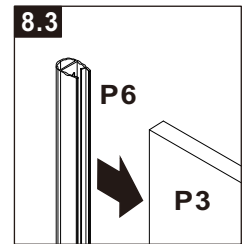
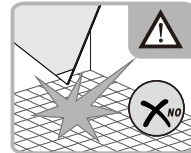
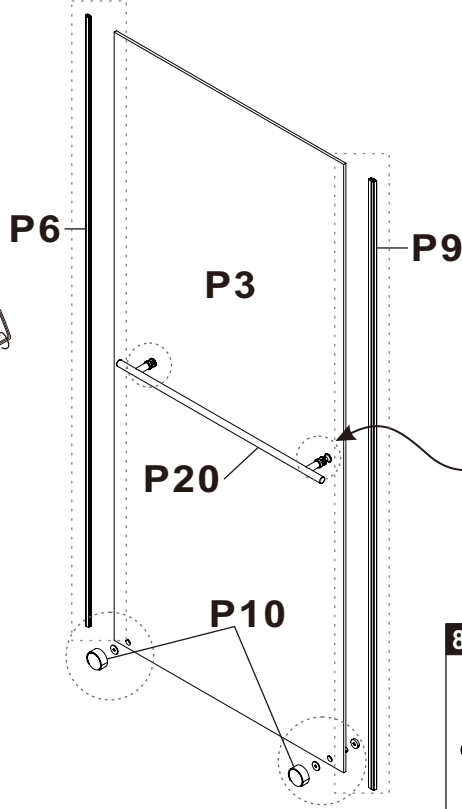
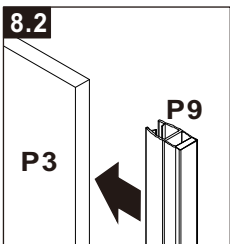
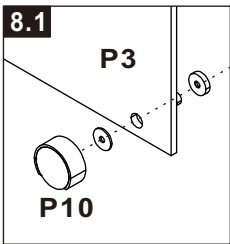
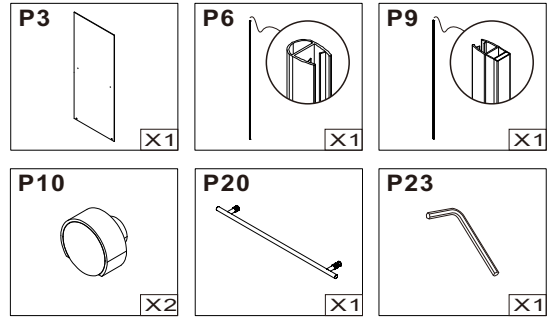
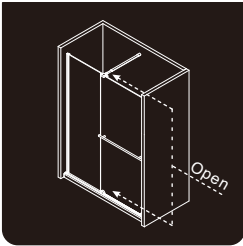
# 7 Strips Installation



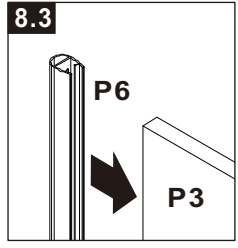
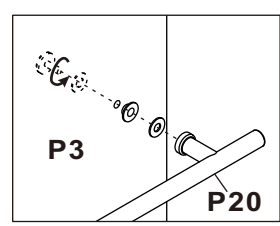
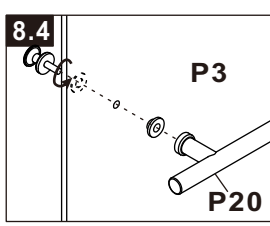
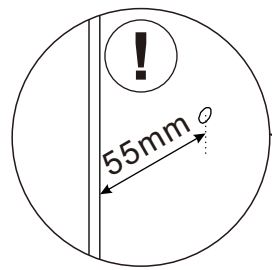
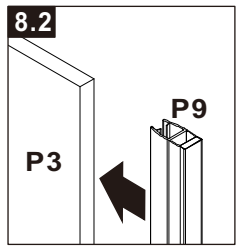
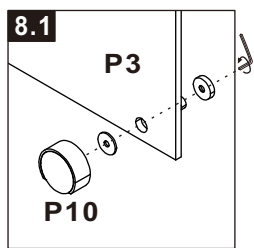
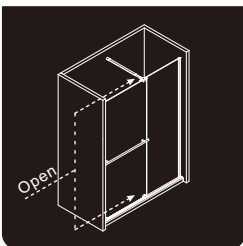


# 8 Sliding Door Assembly

## ! Leftward Open

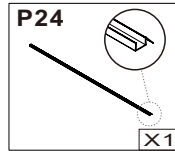


## ! Rightward Open

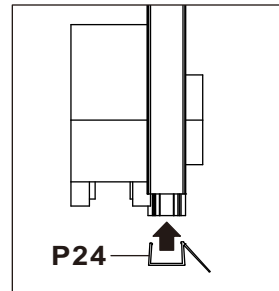
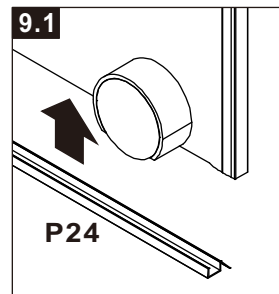
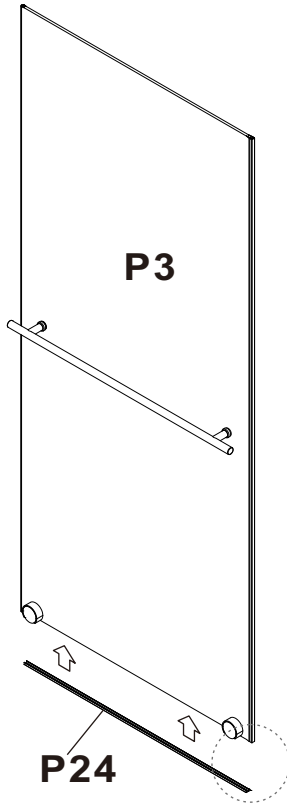
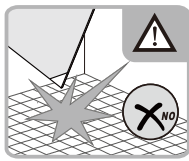
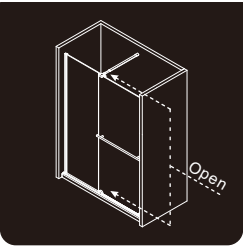




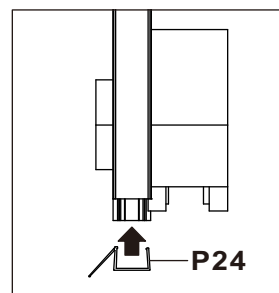
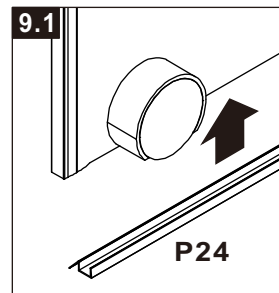
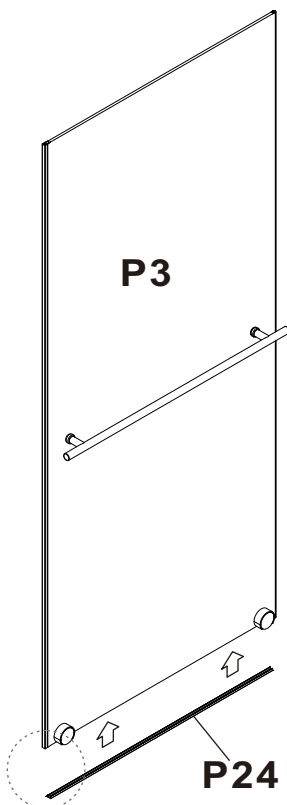
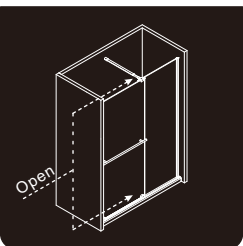
# 9 Bottom Seal Installation



## ! Leftward Open

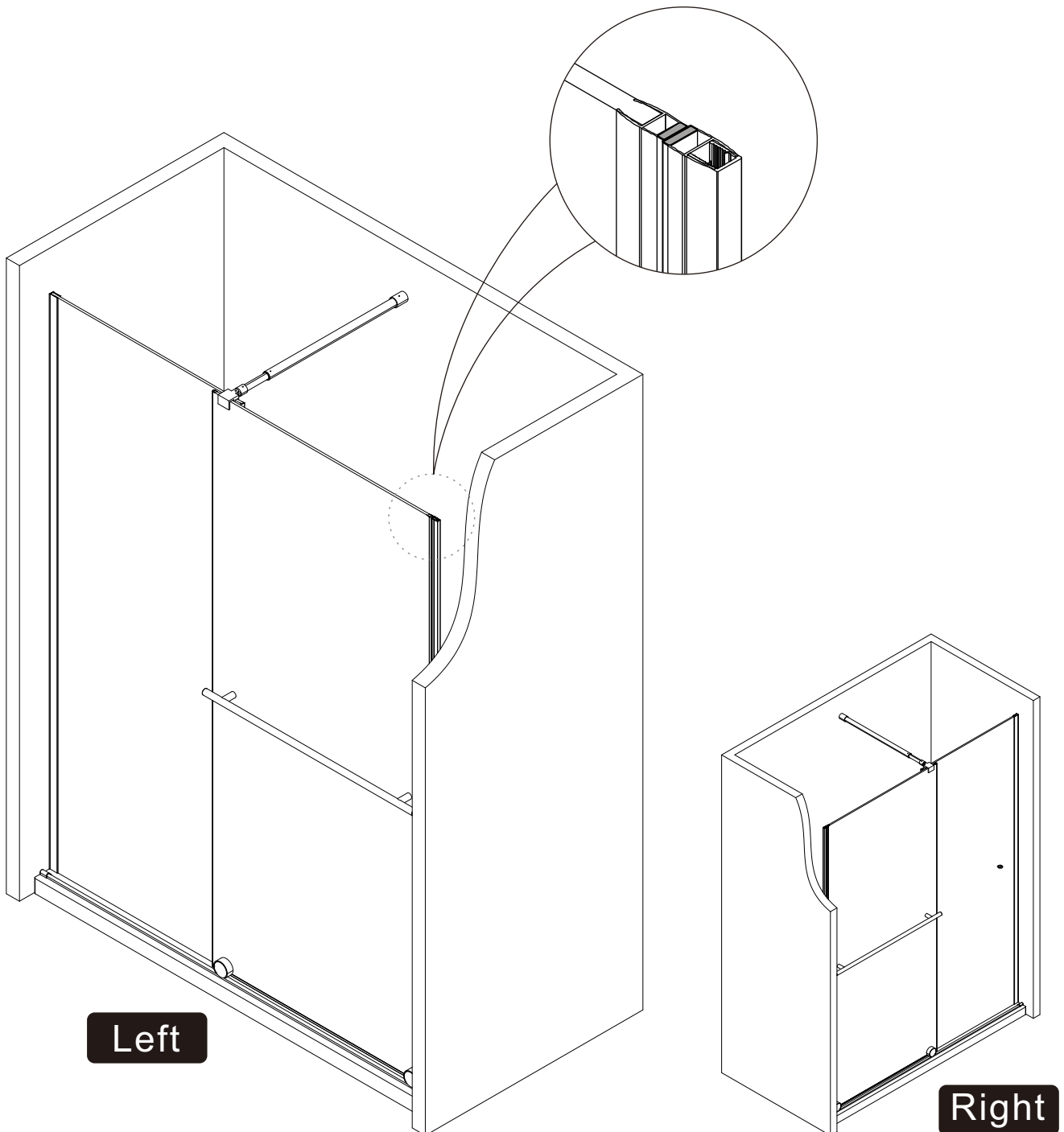


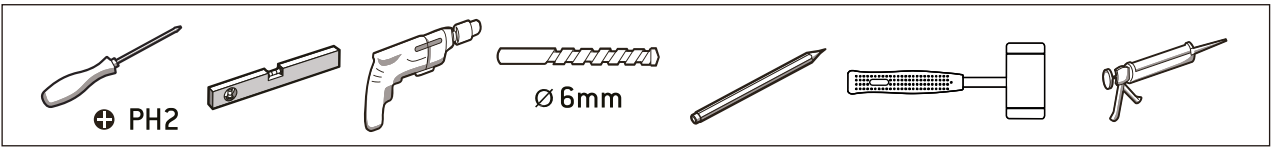
## ! Rightward Open



A

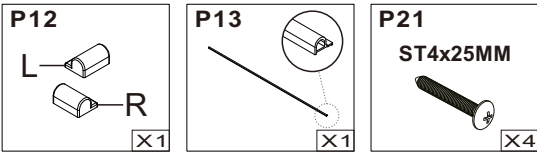
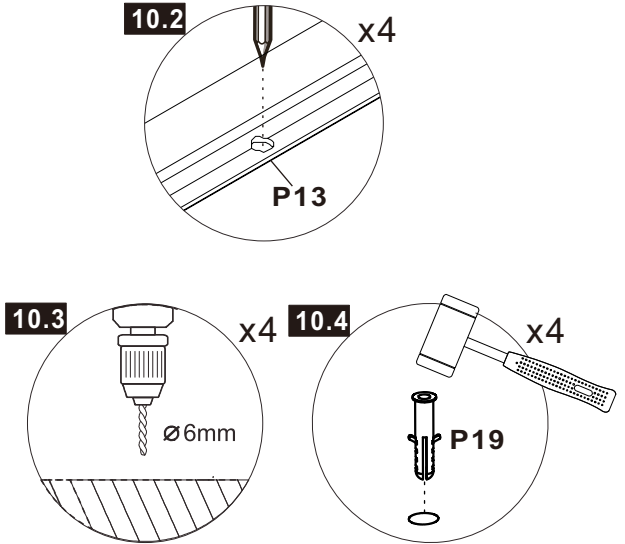
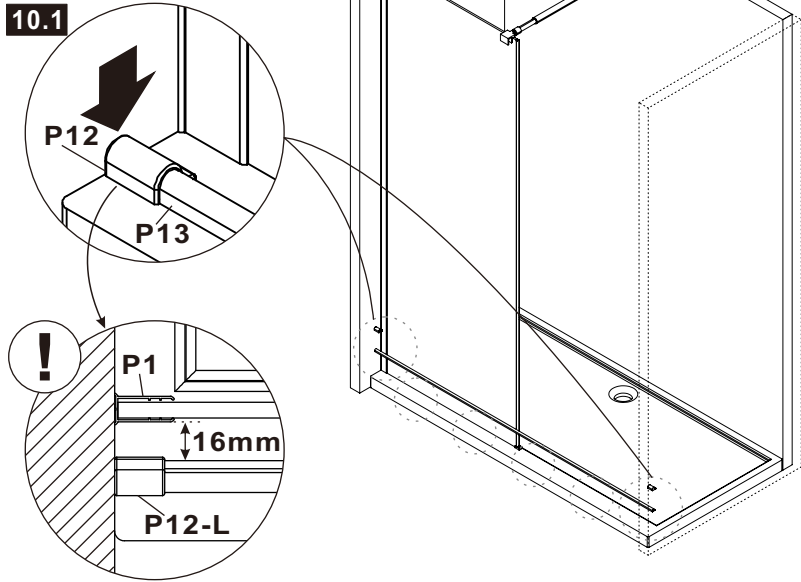
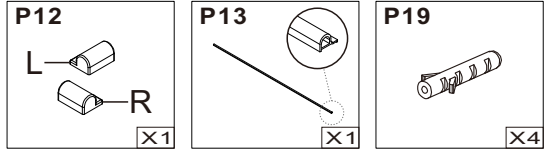
**Option A:**  
For wall to wall installation,  
shower sliding door





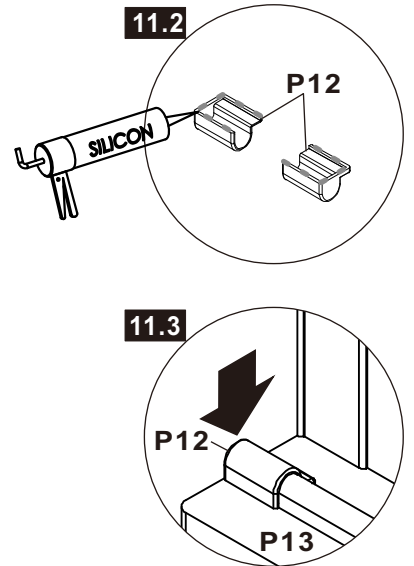
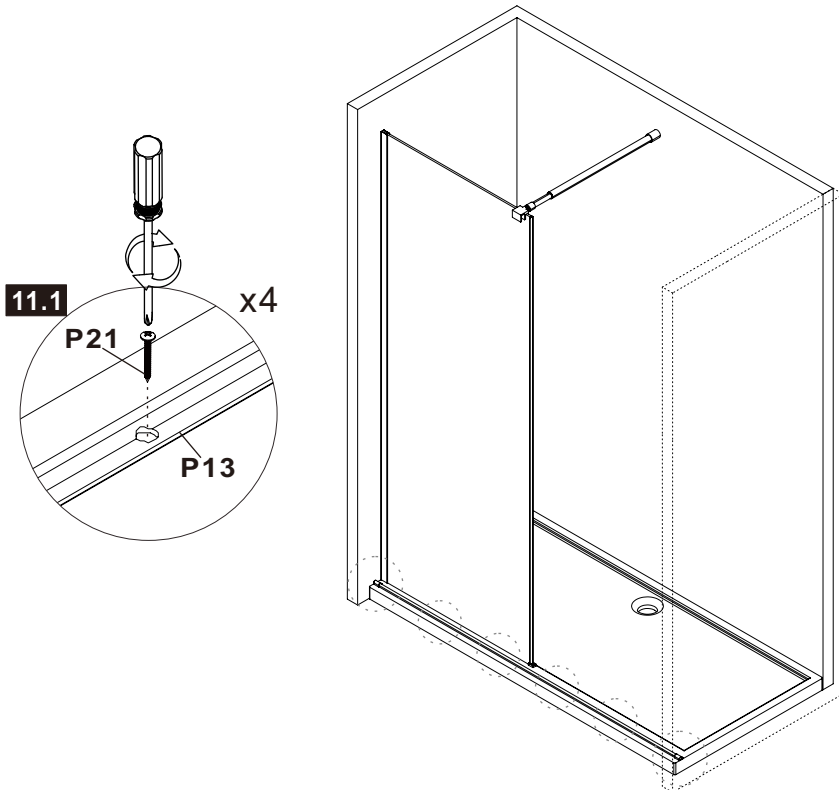
# 10 Door Threshold Installation

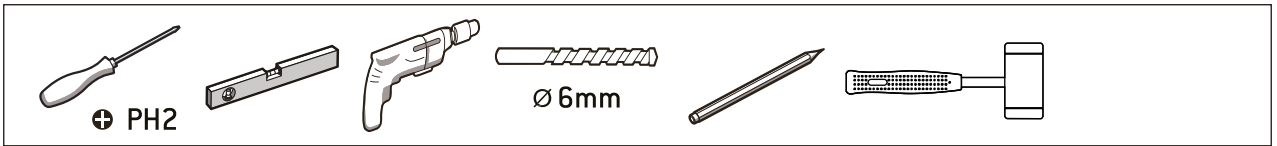
A



# Door Threshold Installation 11

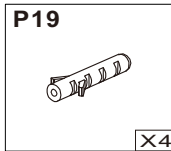
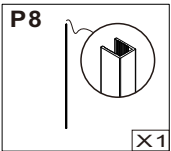
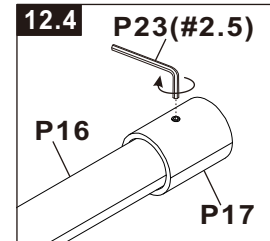
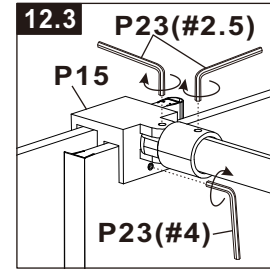
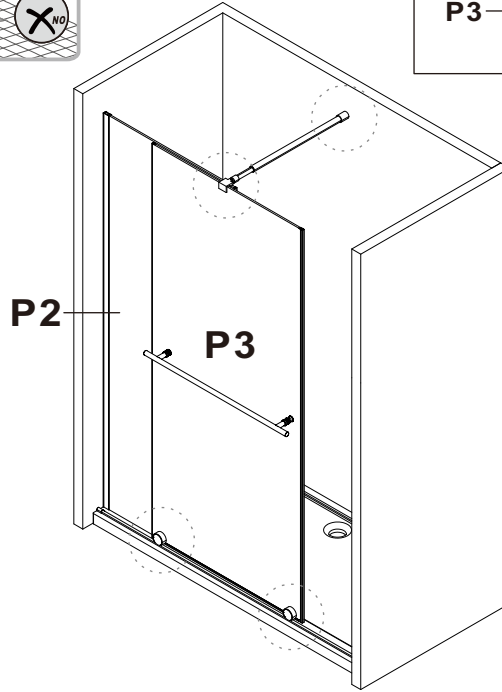
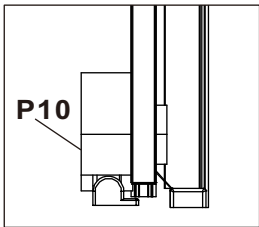
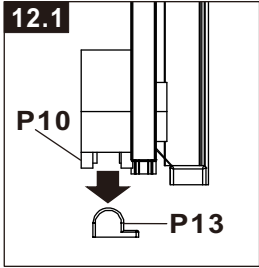
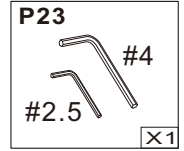
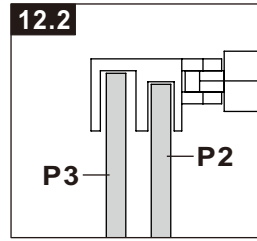
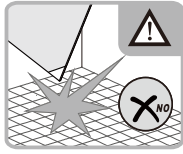
A





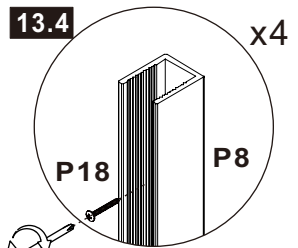
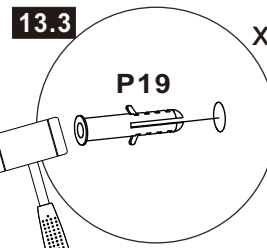
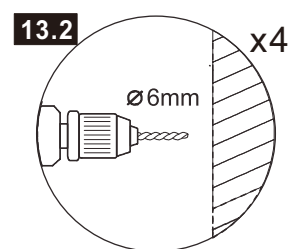
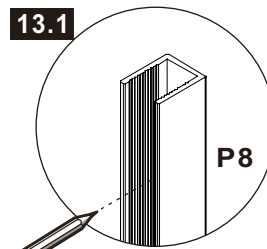
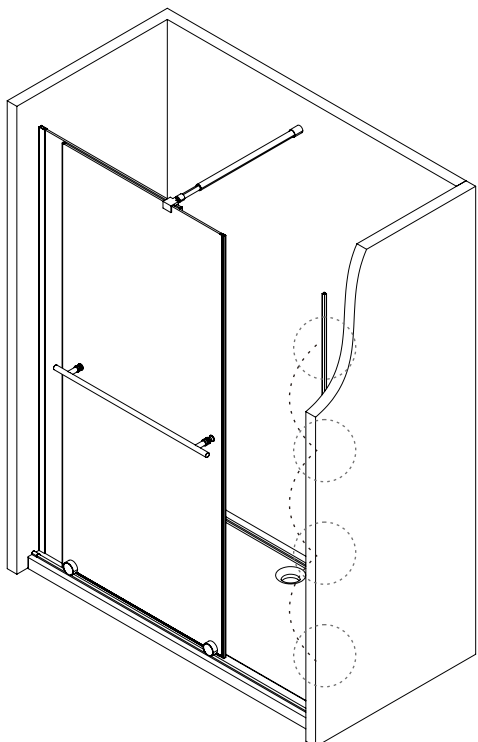
# 12 Sliding Door Installation

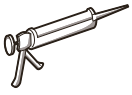
A



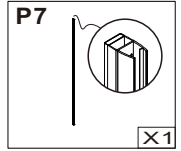
# Wall Profile Installation 13

A

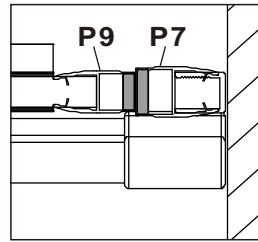
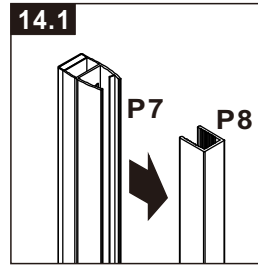
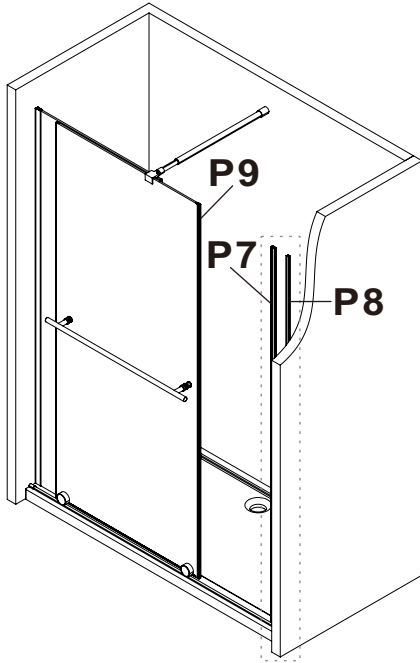





# 14 Wall Profile Installation



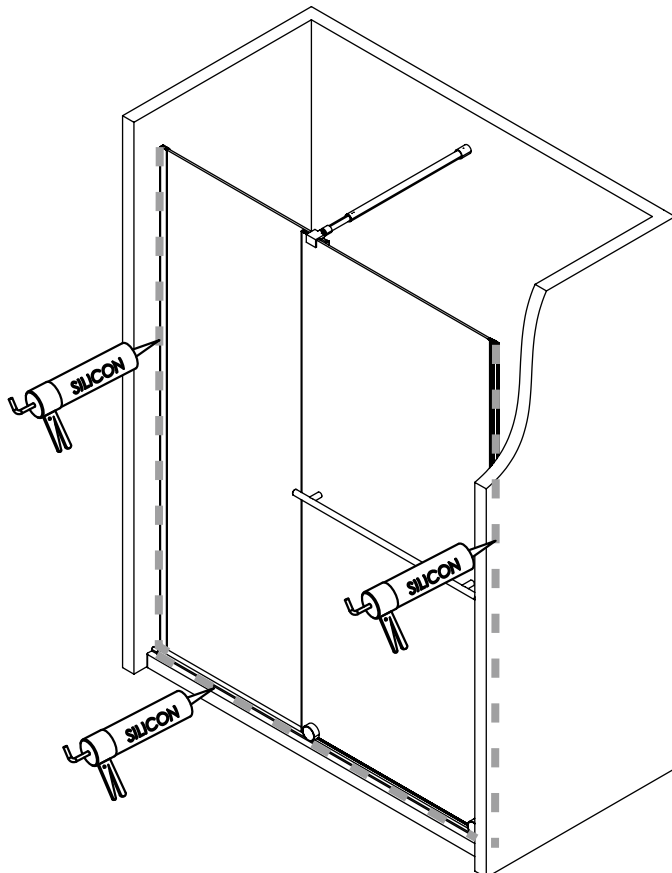
A



 Make sure that the two magnetic strips P7 and P9 can fit tightly.

# 15

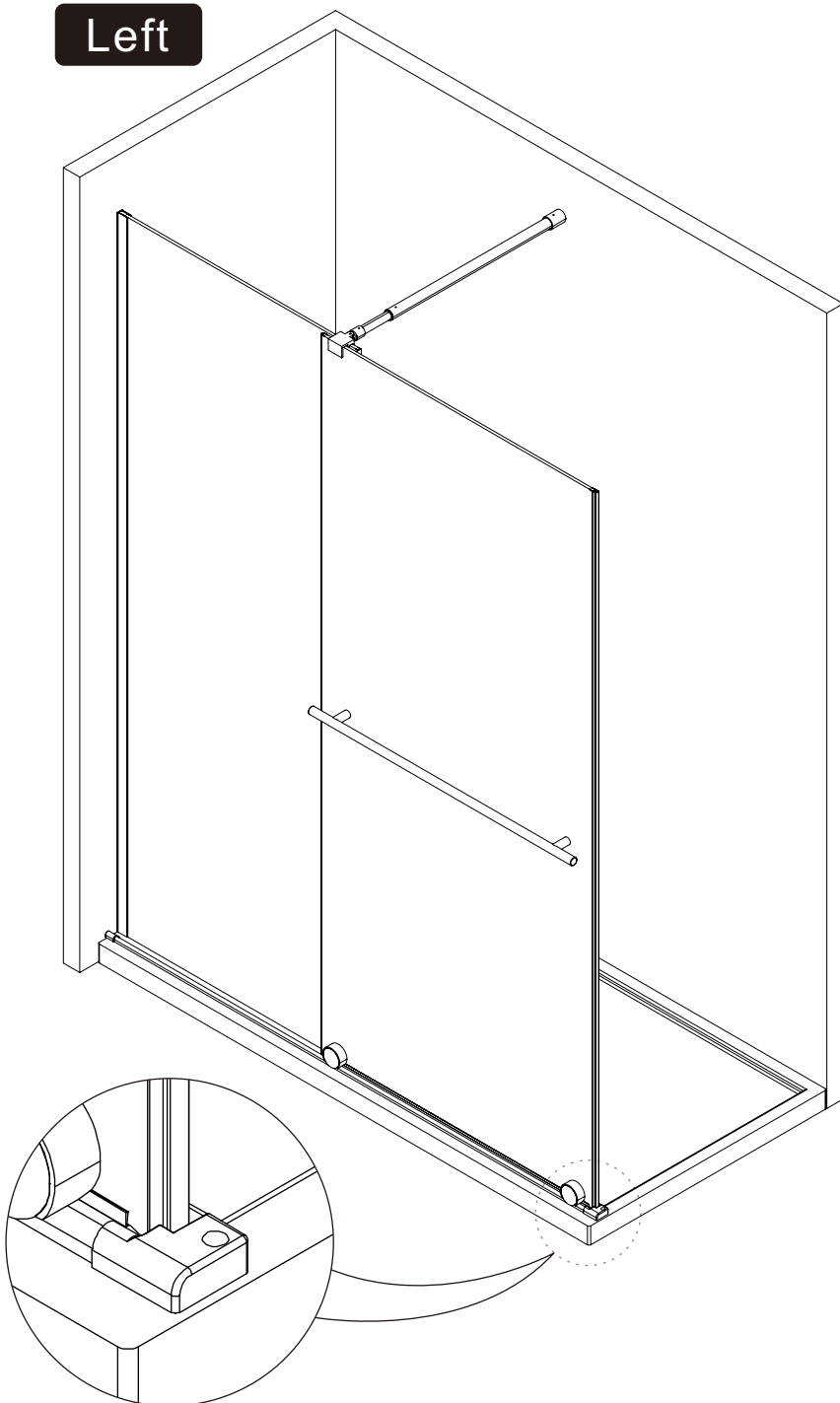
A



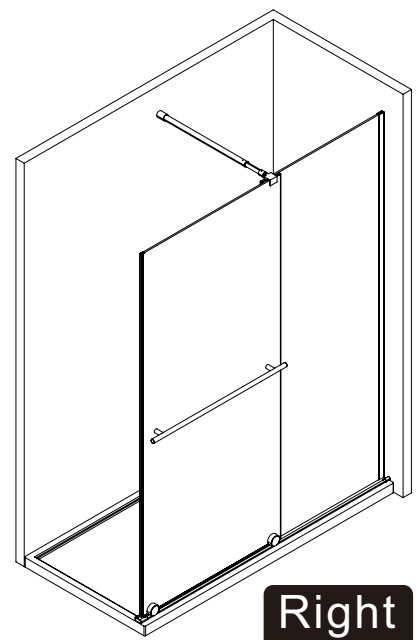
**B**

**Option B:**  
For 1-side wall shower walk-in  
wetroom

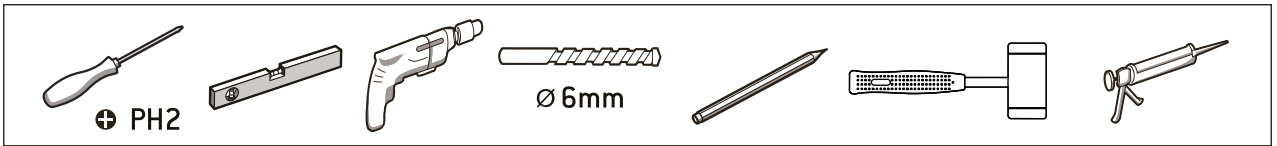
**Left**



**Option B:**  
For single wall  
installation-Walk-in  
Shower Screen Door

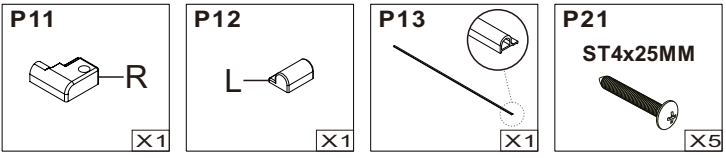
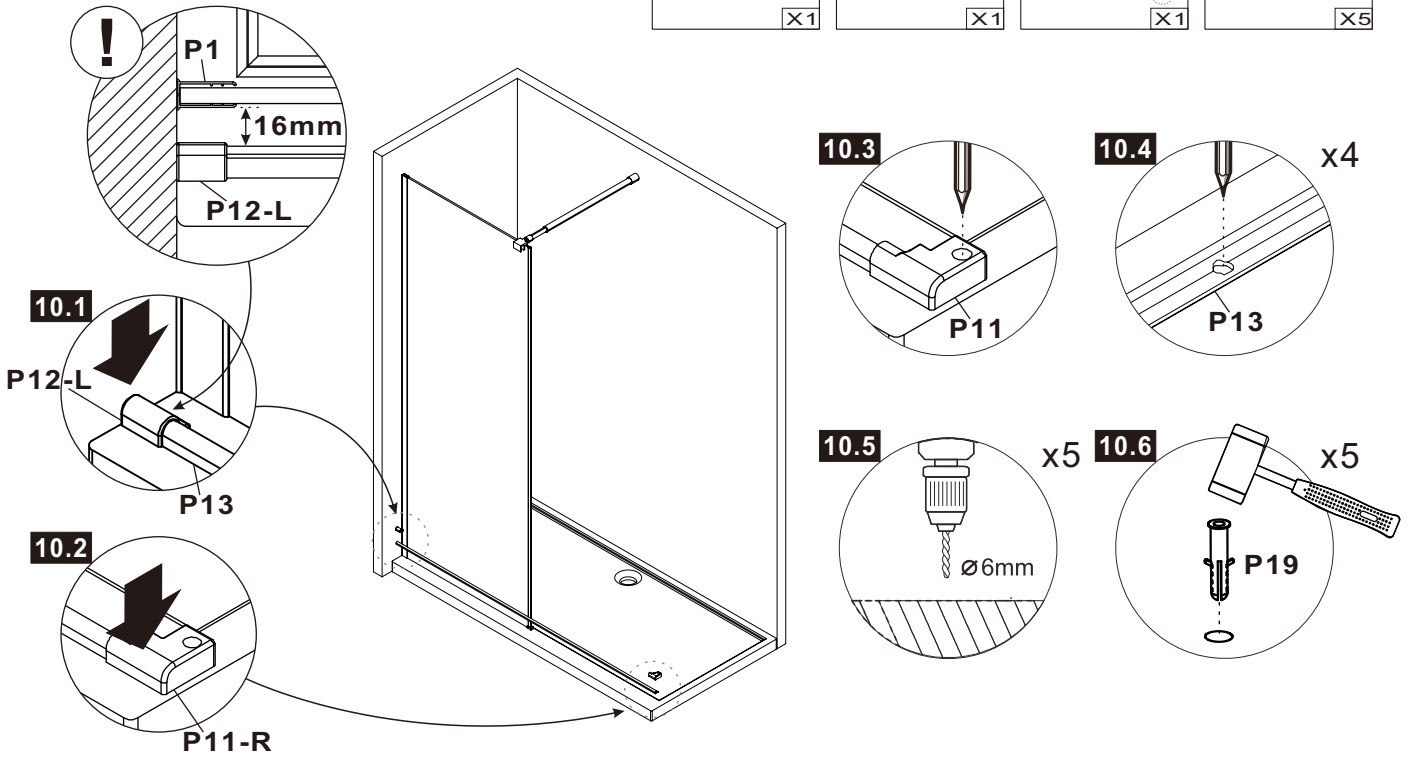
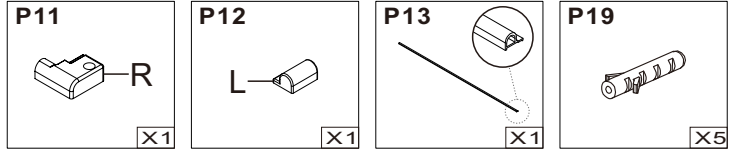


**Right**



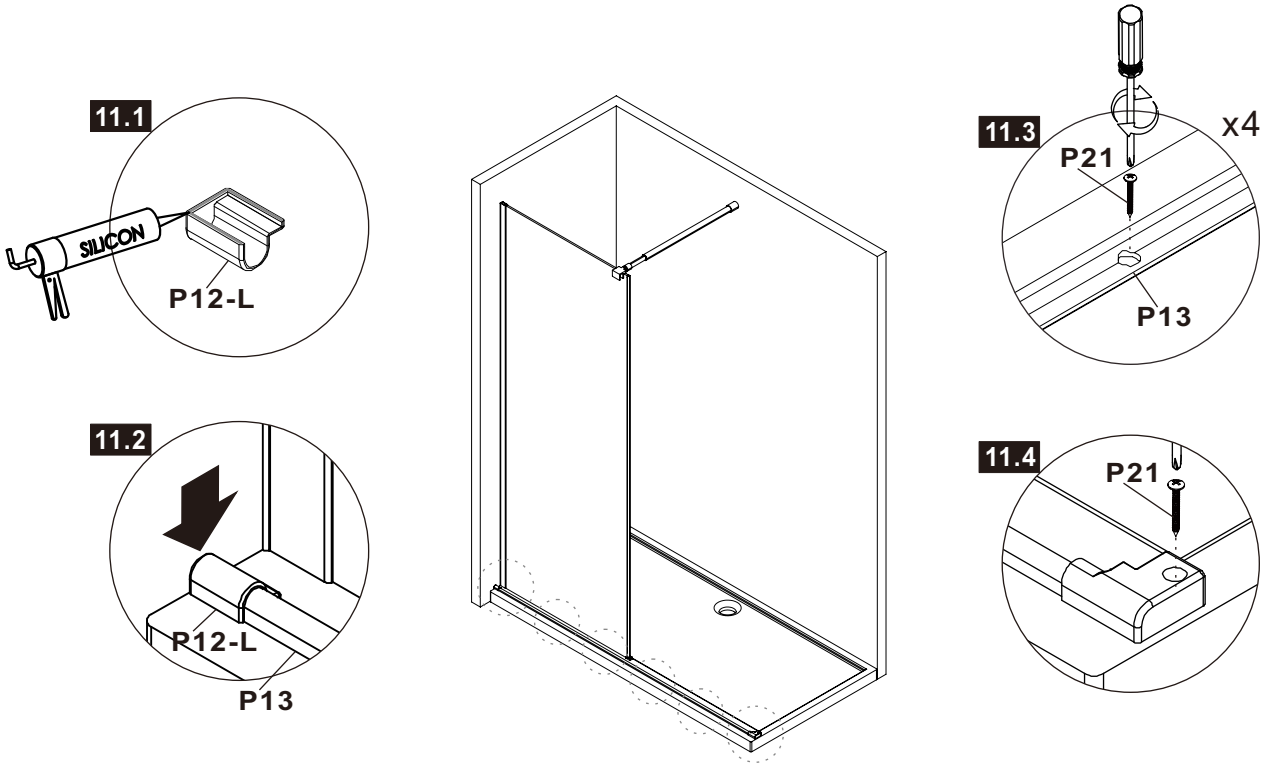
# 10 Door Threshold Installation

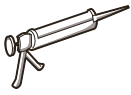
B



# 11 Door Threshold Installation

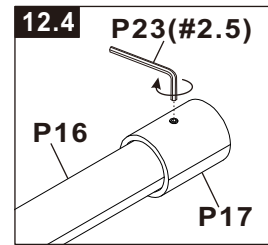
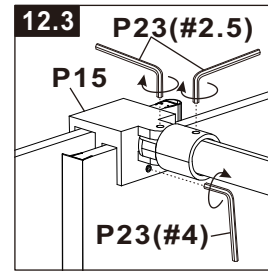
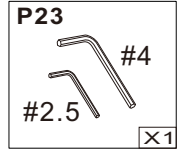
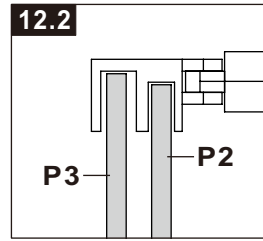
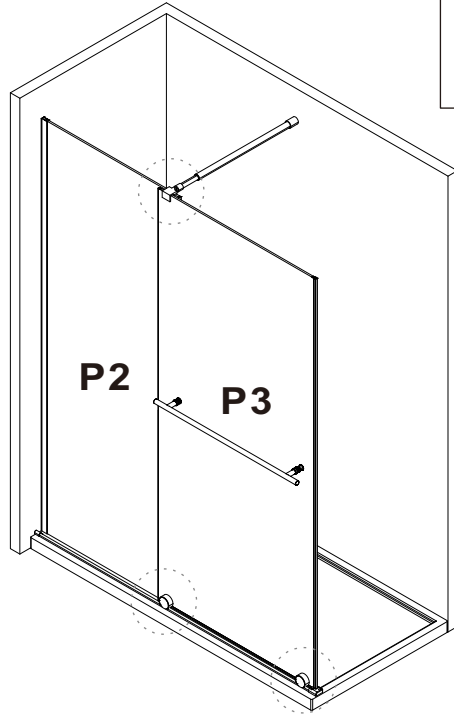
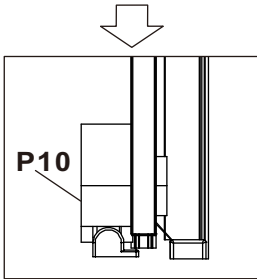
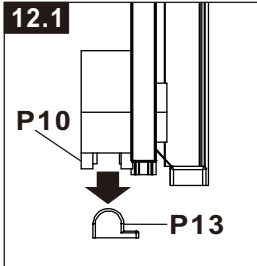
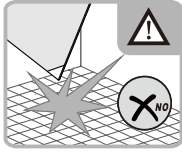
B





# 12 Sliding Door Installation

**B**



# 13

**B**

