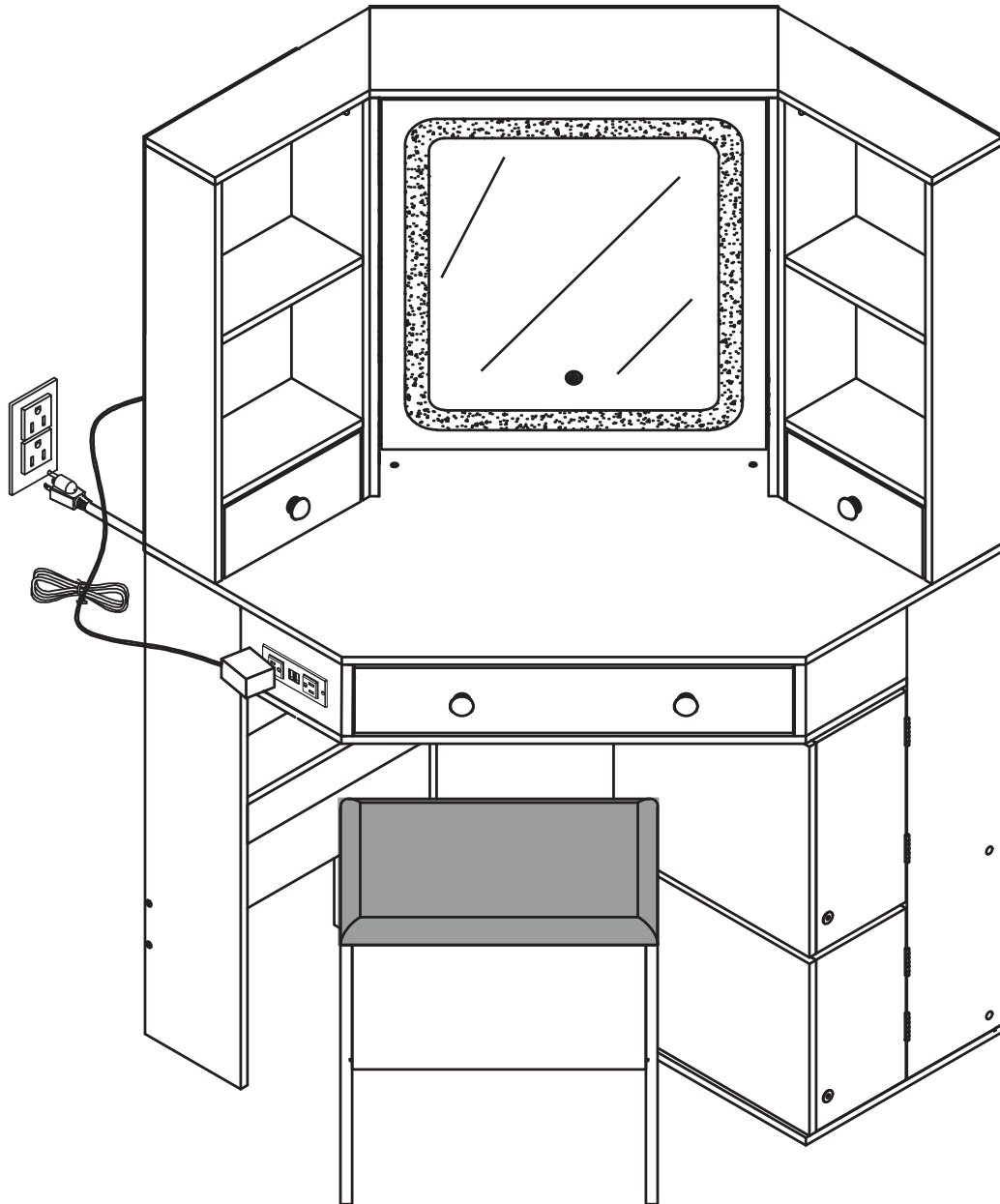
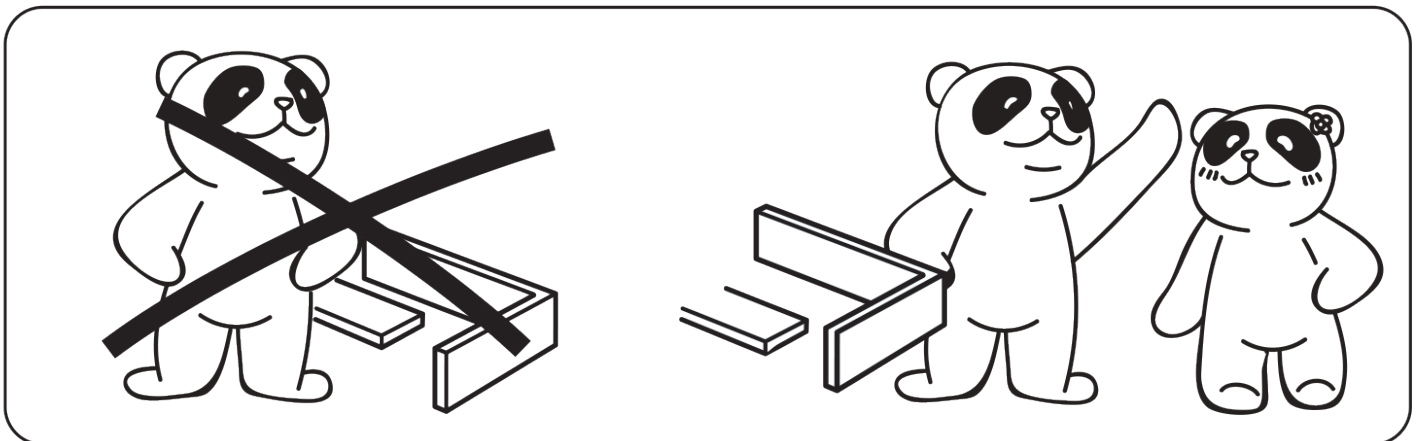
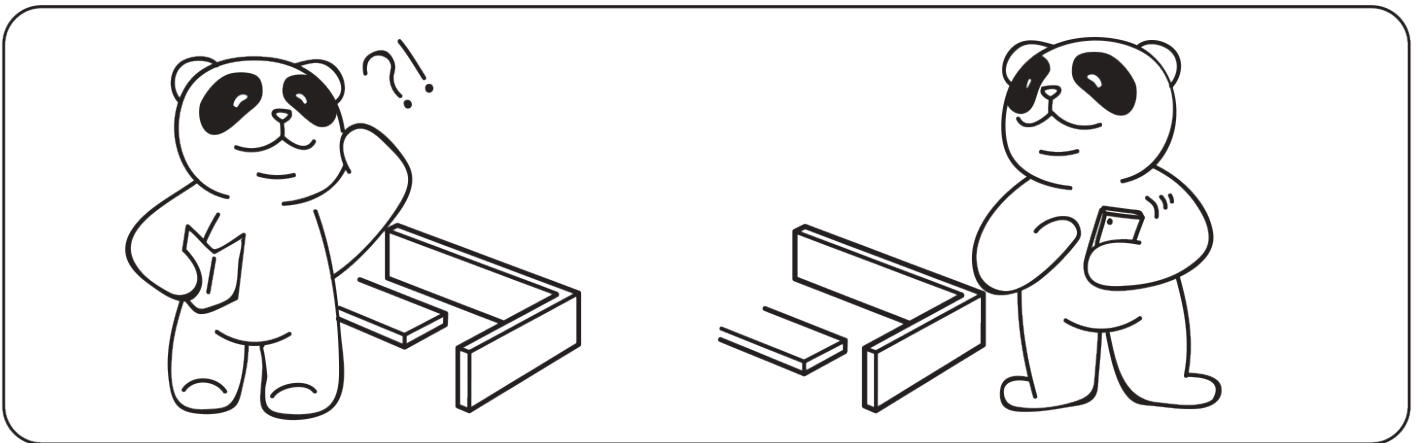
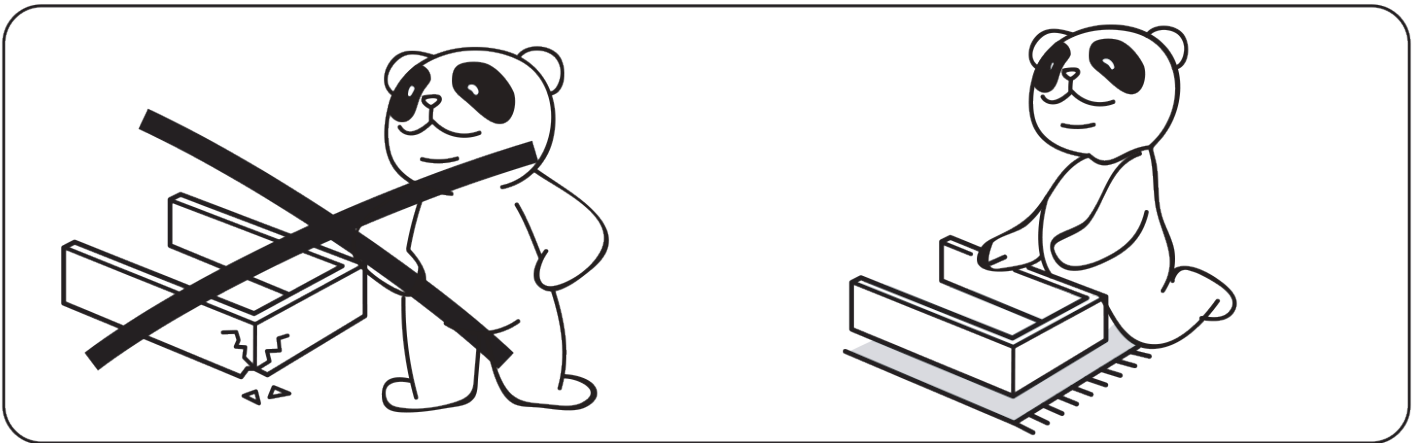
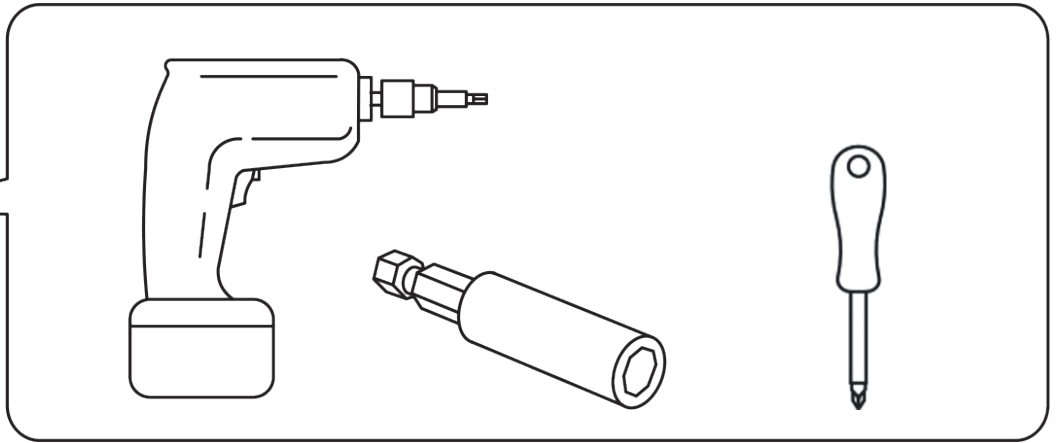


Installation & Assembly





Installation parts



A

x96(+2)
Ø6x35mm



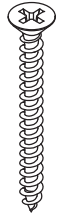
B

x96(+2)
Ø15x10mm



C

x93(+2)
Ø6x30mm



D

x49(+2)
Ø4x35mm



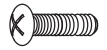
E

x30(+2)
Ø3x12mm



F

x4



G

x4
Ø4x16mm



H

x42(+4)
Ø3.5x12mm



I

x4



J

x4



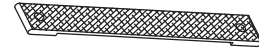
K

x4



L

x2



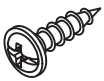
M

x2



N

x2
Ø4x14mm



O

x36



P

x2



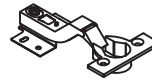
Q

x4



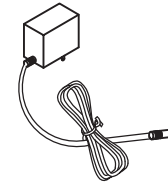
R

x2



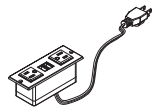
S

x2



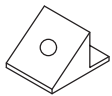
T

x1



U

x1



V-1



V-2

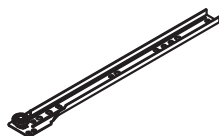
V

x10



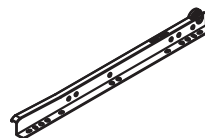
WCL

x1
L300mm



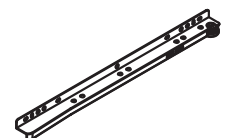
WCR

x1
L300mm



WDL

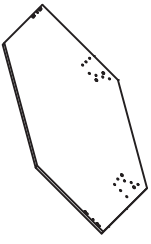
x1
L300mm



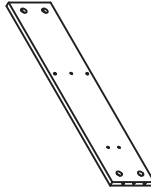
WDR

x1
L300mm

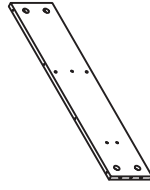
Install the footstool



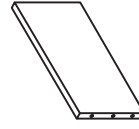
①
x1



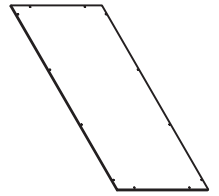
②
x2



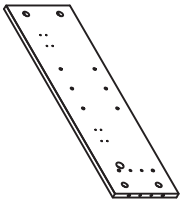
③
x2



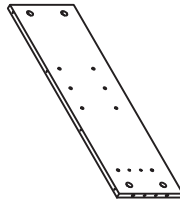
④
x4



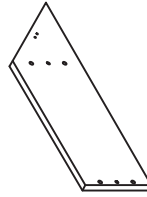
⑤
x2



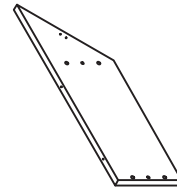
⑥
x1



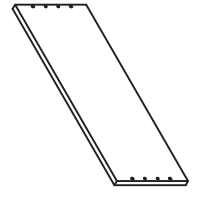
⑦
x1



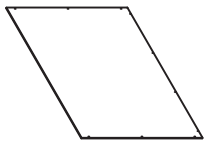
⑧
x1



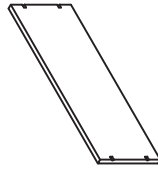
⑨
x1



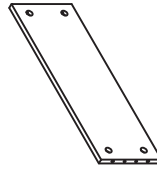
⑩
x1



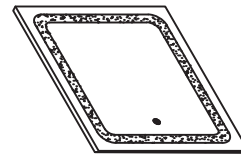
⑪
x1



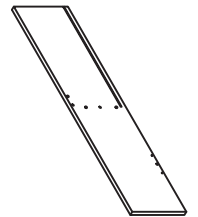
⑫
x1



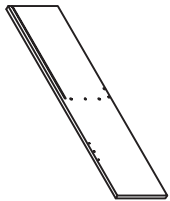
⑬
x1



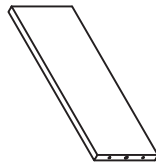
⑭
x1



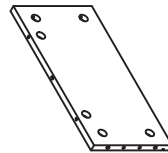
⑮
x1



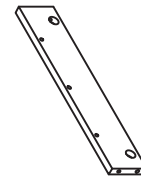
⑯
x1



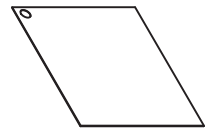
⑰
x1



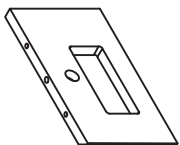
⑱
x1



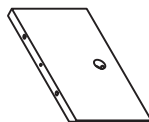
⑲
x2



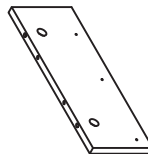
⑳
x1



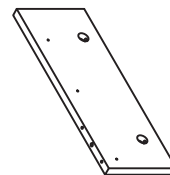
㉑
x1



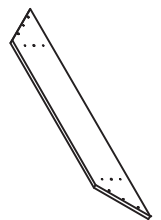
㉒
x1



㉓
x1

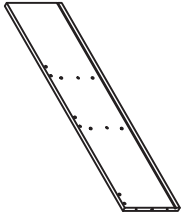


㉔
x1

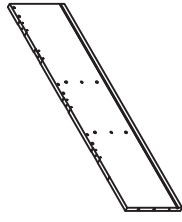


㉕
x1

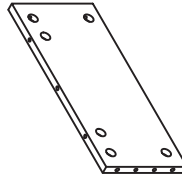
Install the footstool



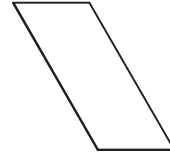
26
x1



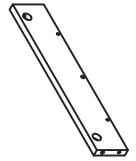
27
x1



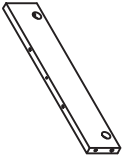
28
x2



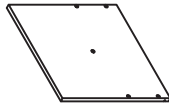
29
x1



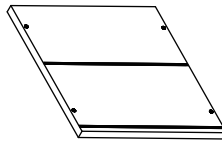
30
x1



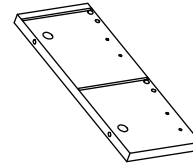
31
x1



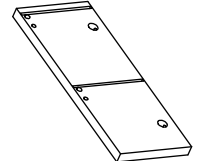
32
x1



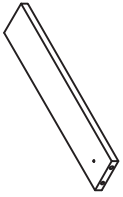
33
x1



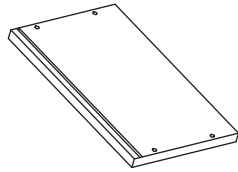
34
x1



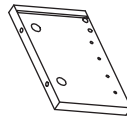
35
x1



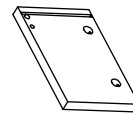
36
x2



37
x1

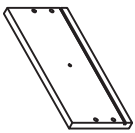


38
x1

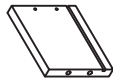


39
x1

Drawer



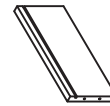
40
x2



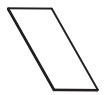
41
x2



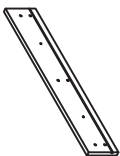
42
x2



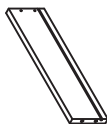
43
x2



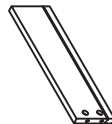
44
x2



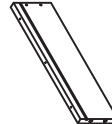
45
x1



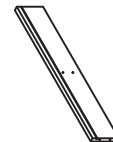
46
x1



47
x1



48
x1

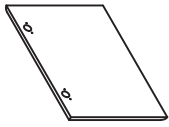


49
x1

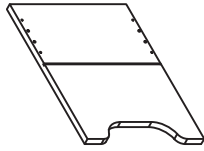


50
x2

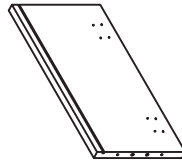
Seat



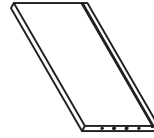
51
x1



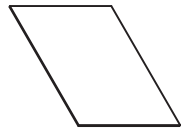
52
x2



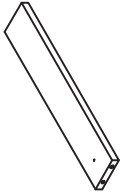
53
x1



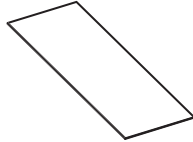
54
x1



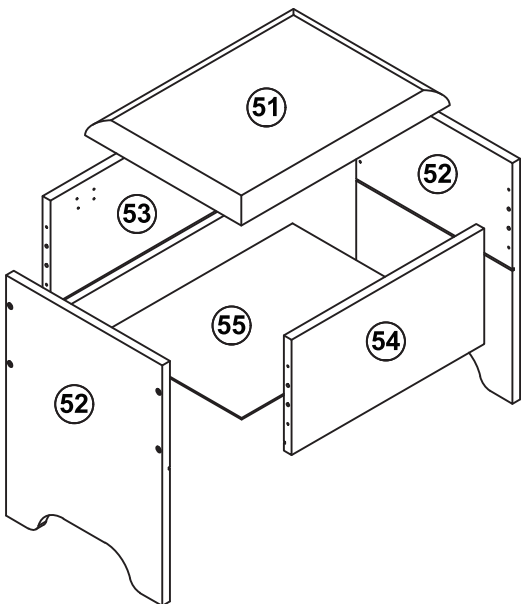
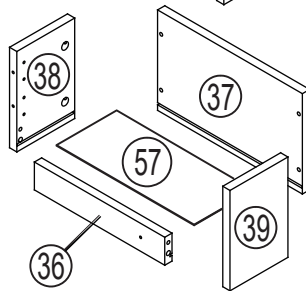
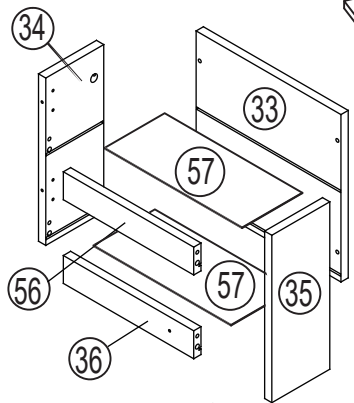
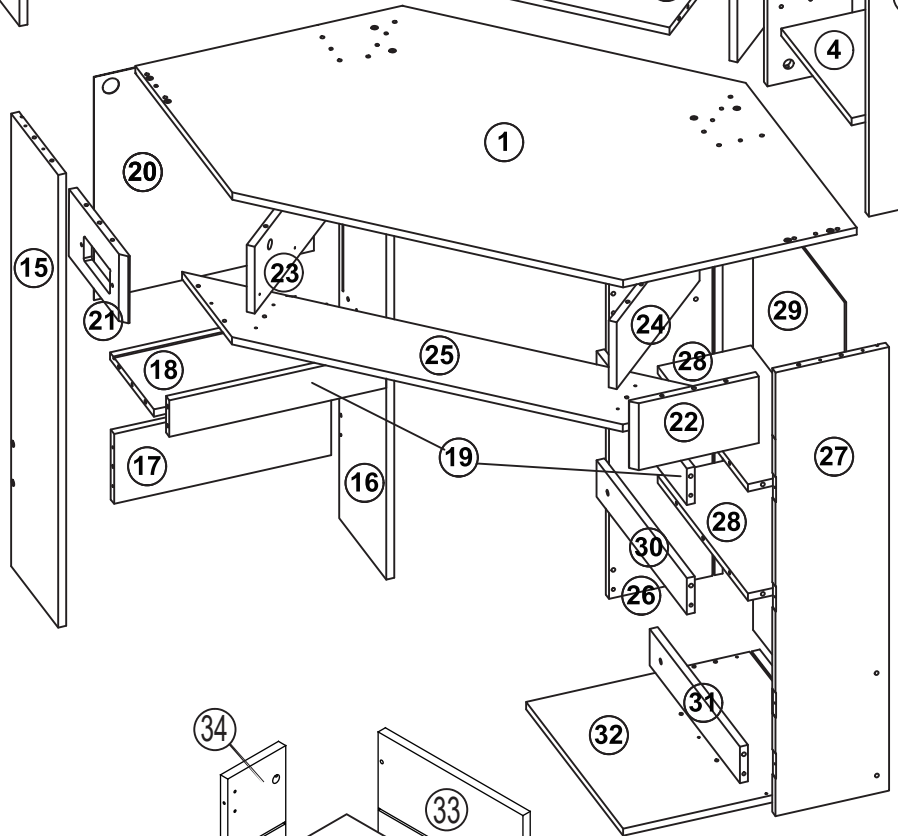
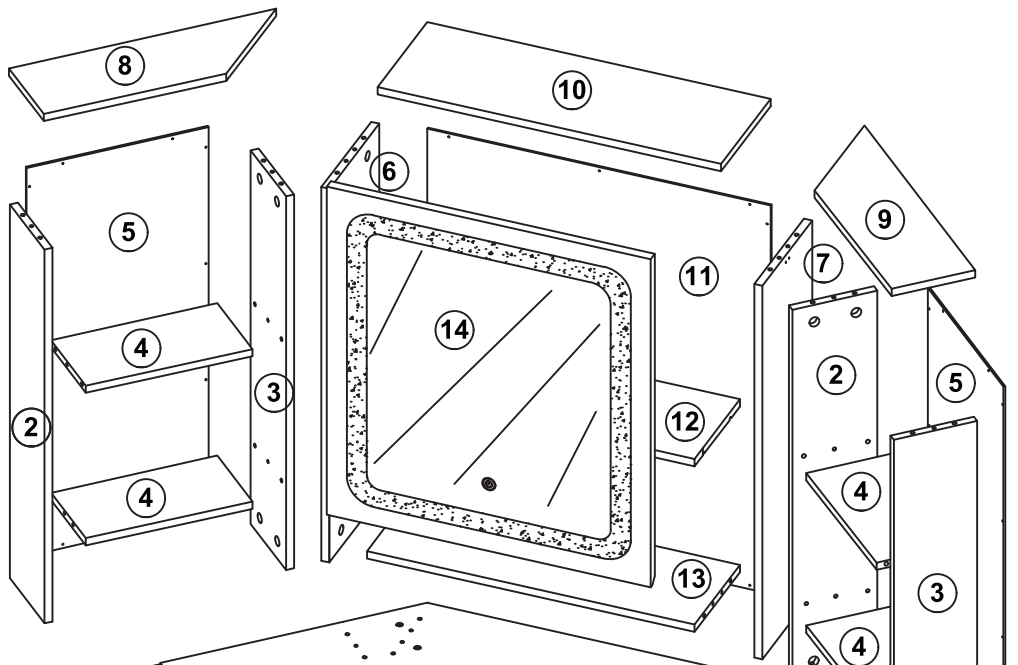
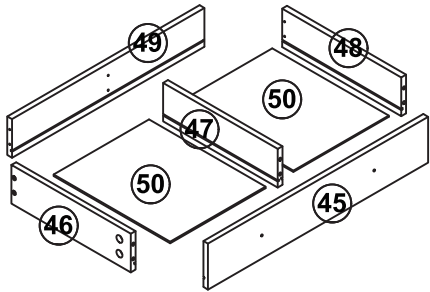
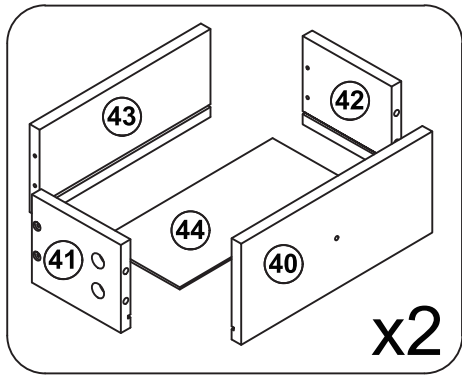
55
x1



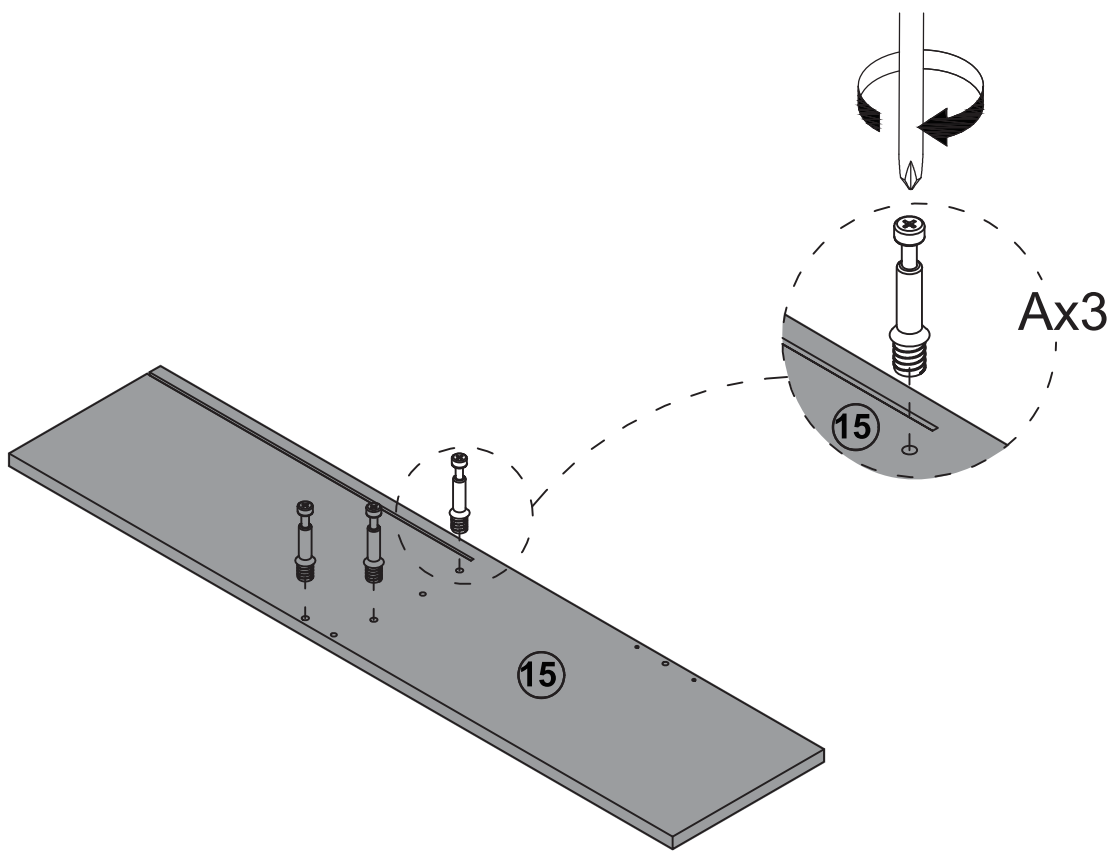
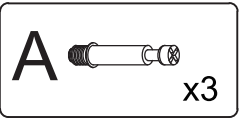
56
x1



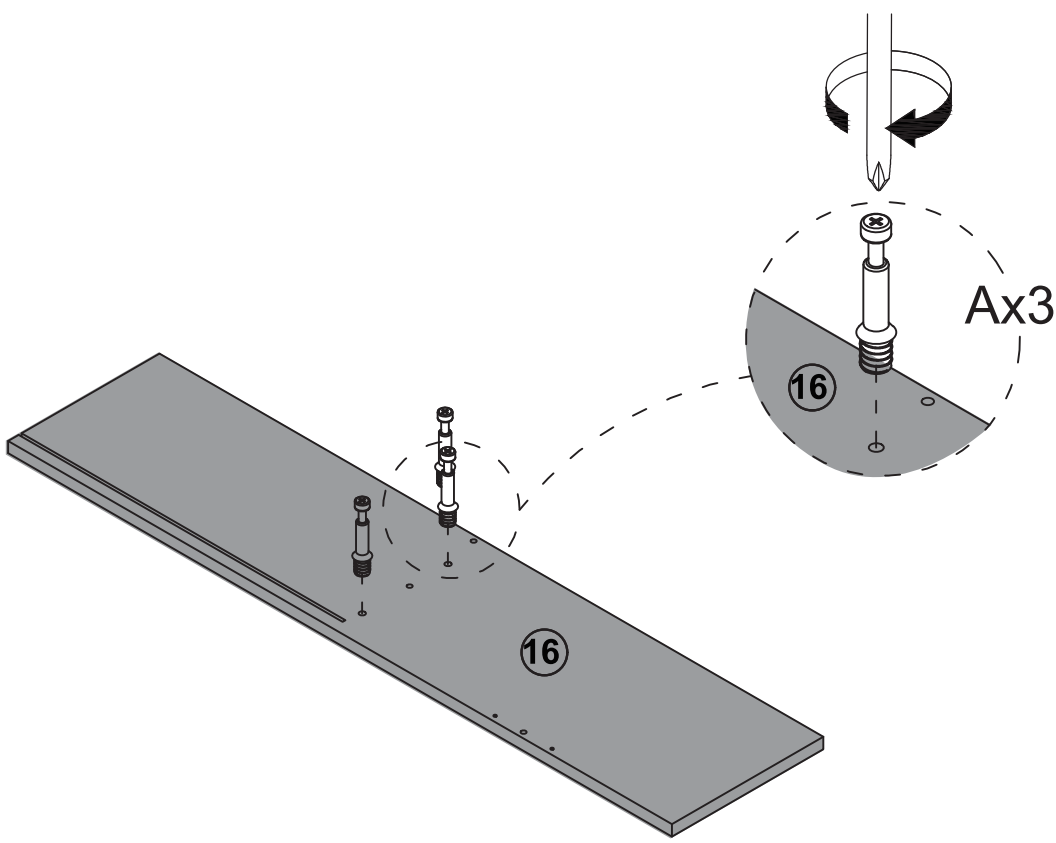
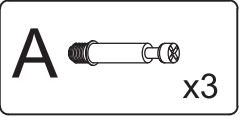
57
x3



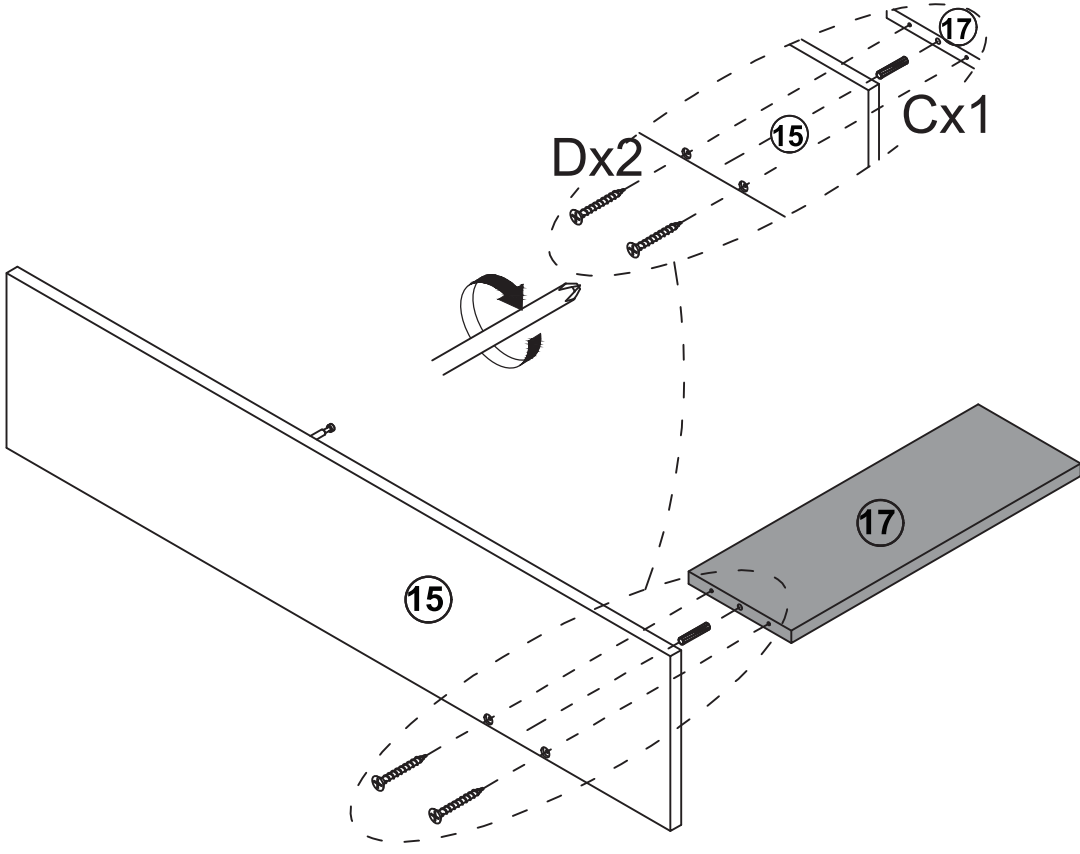
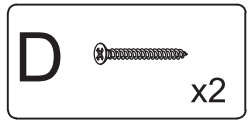
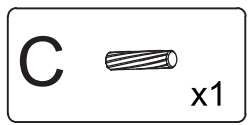
1



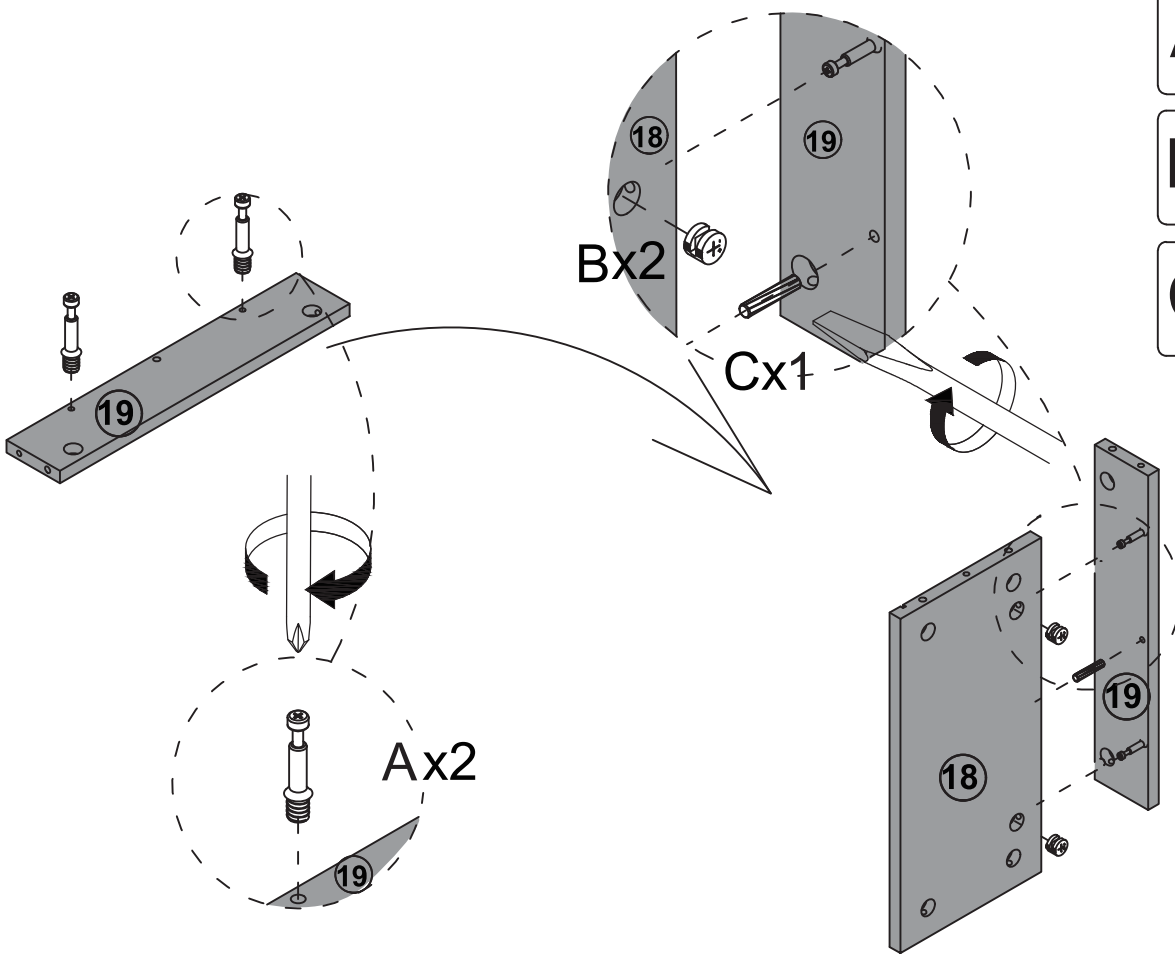
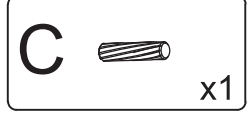
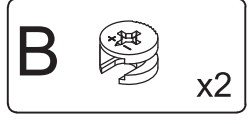
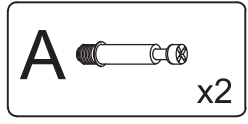
2




3




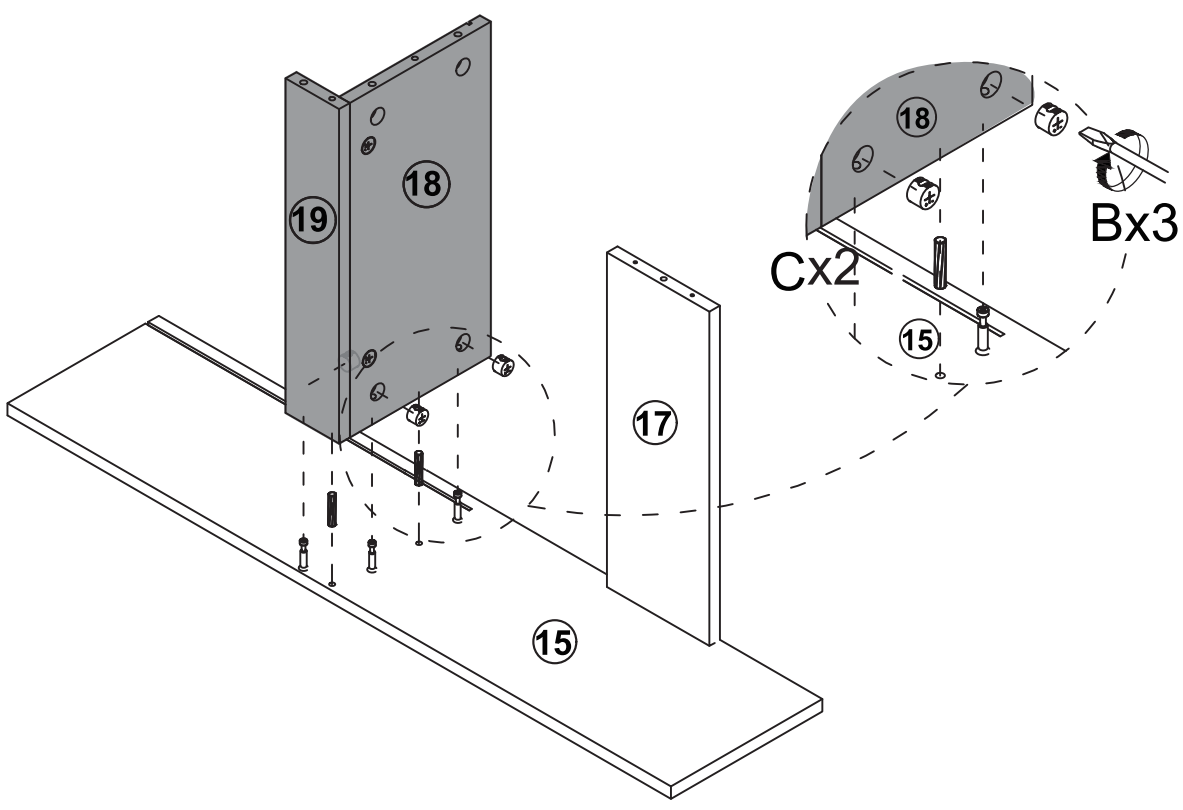
4




5


B  x3


C  x2

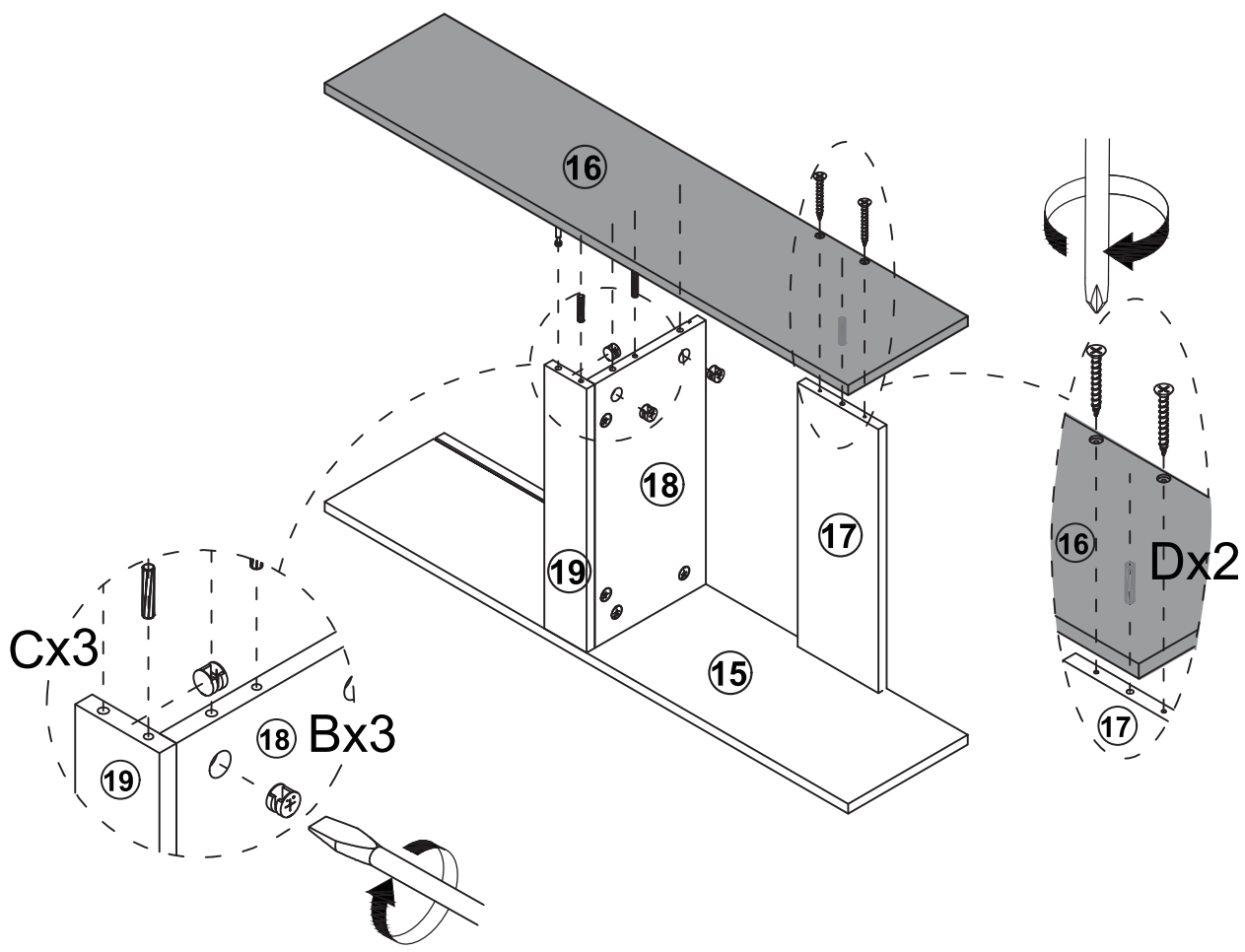


6

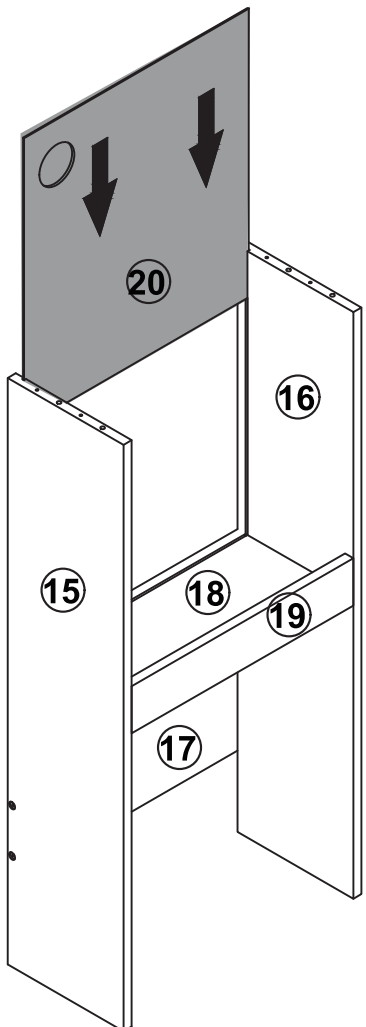
B  x3

C  x3

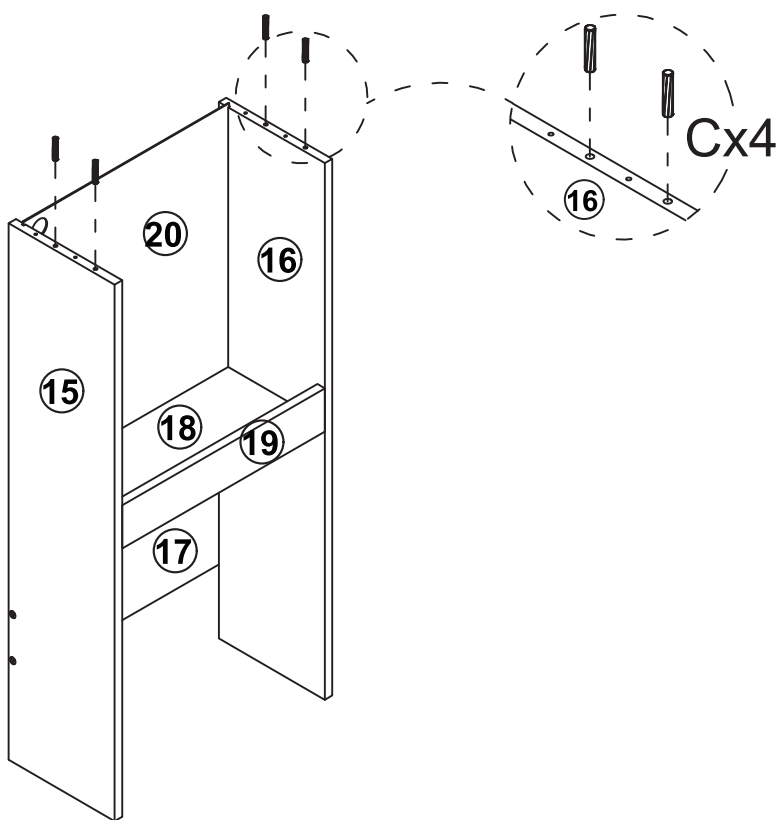
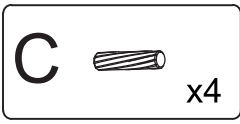
D  x2



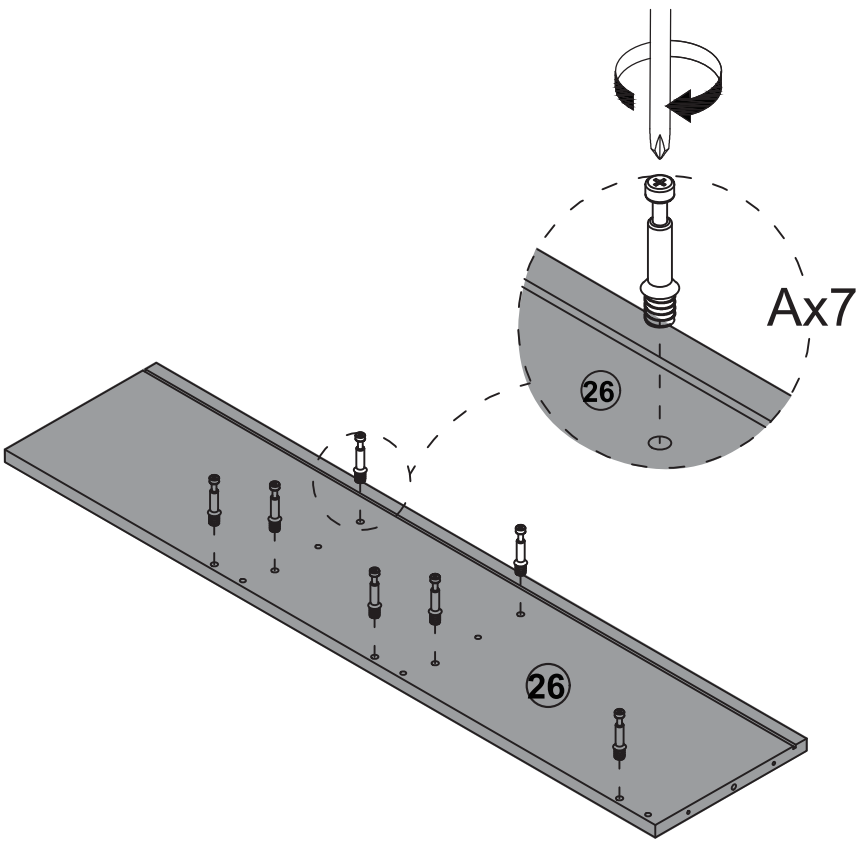
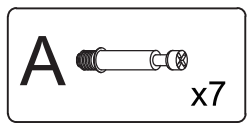
7



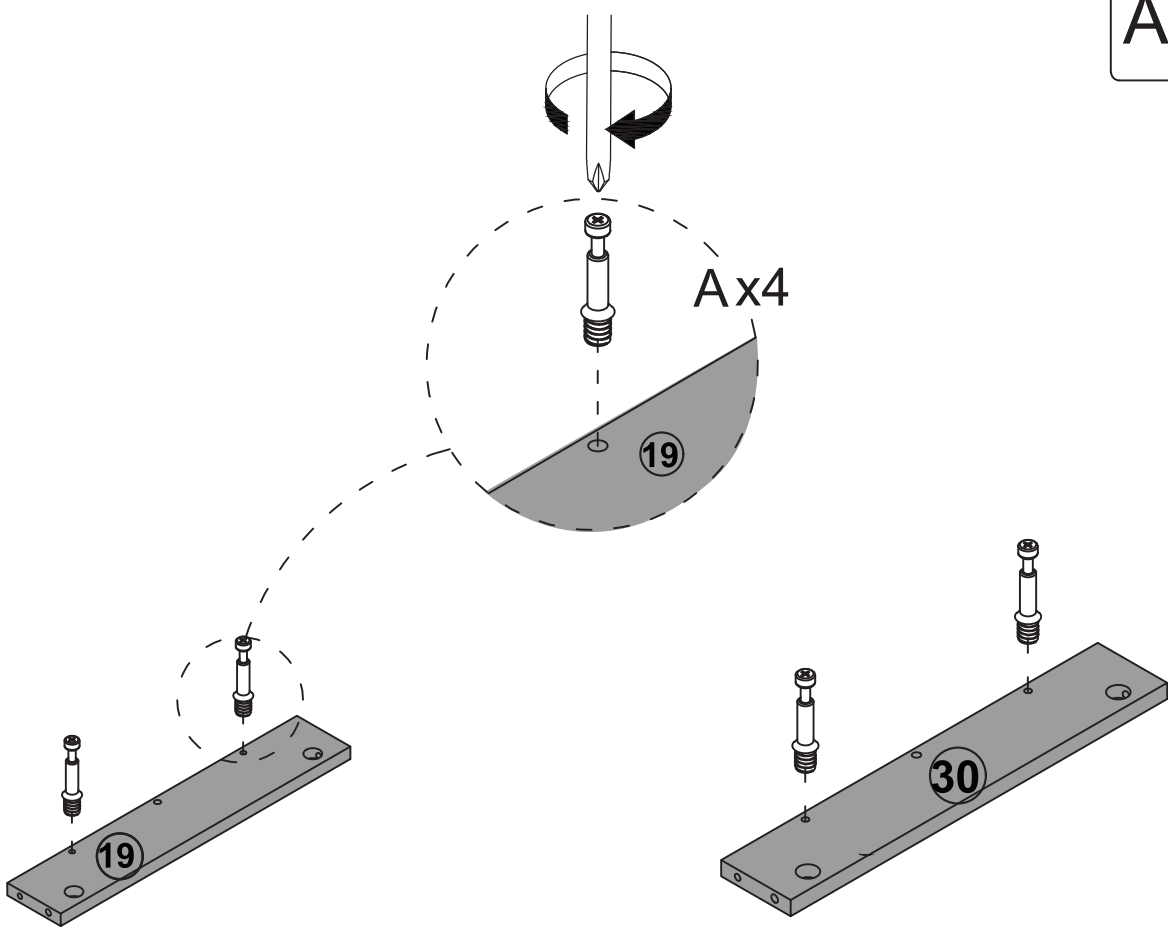
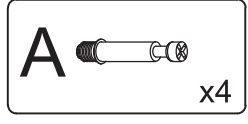
8



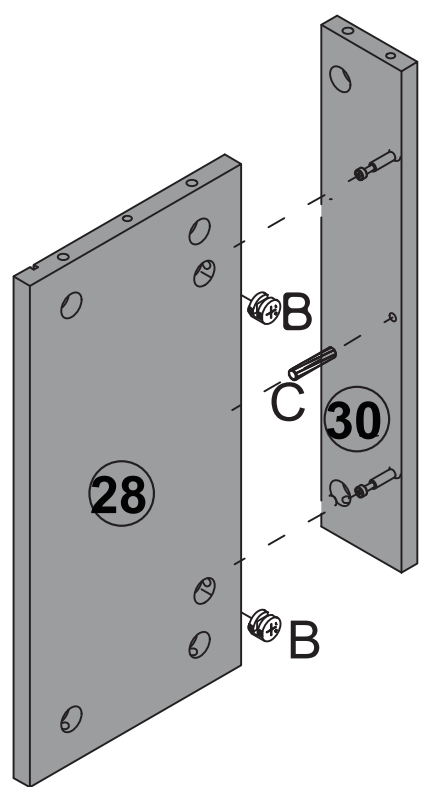
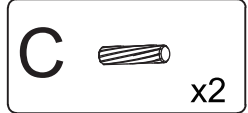
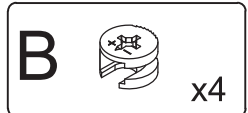
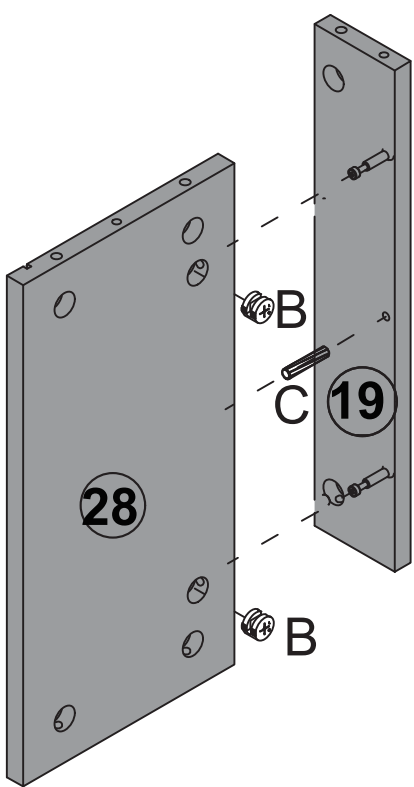
9



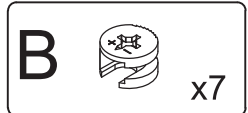
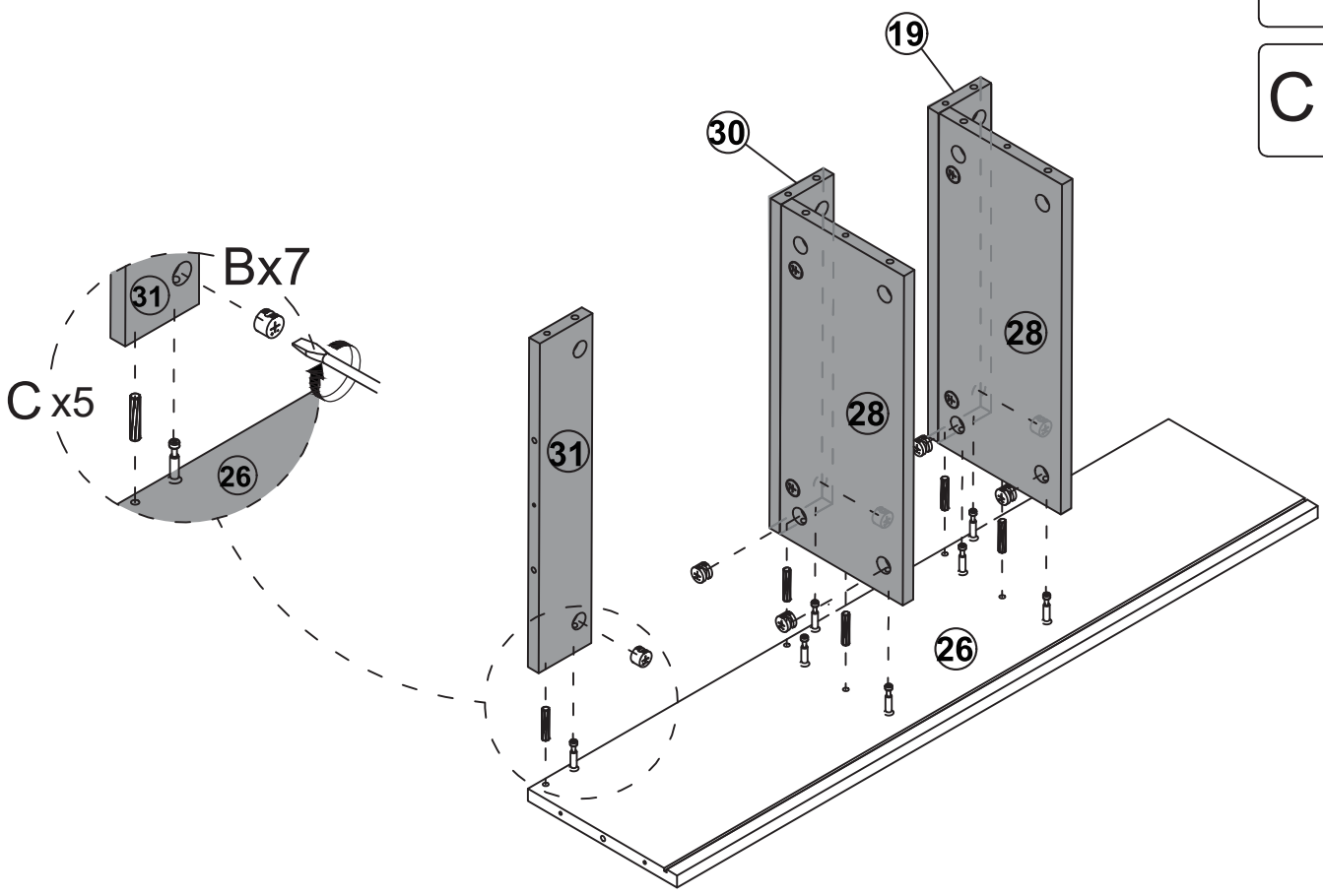
10



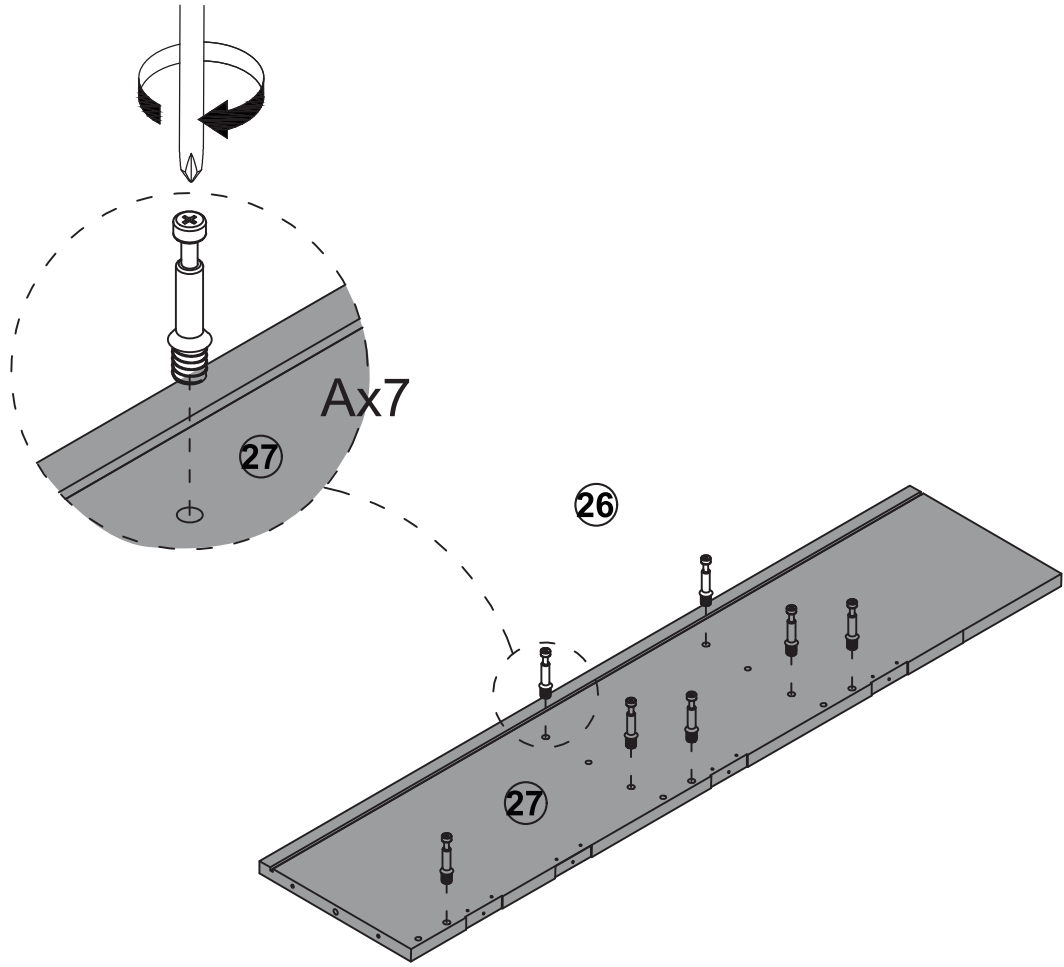
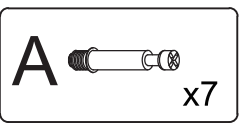
11



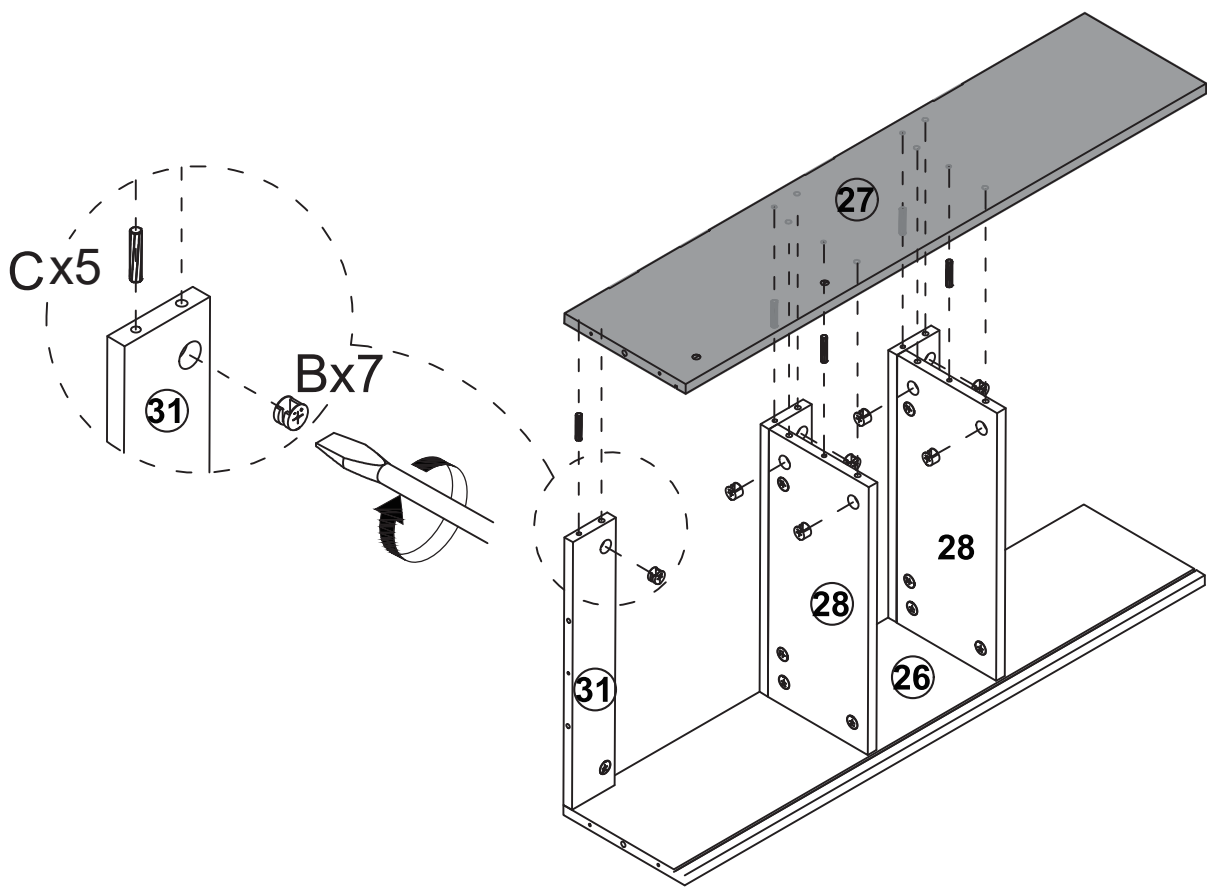
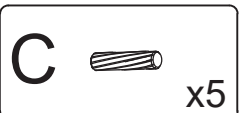
12



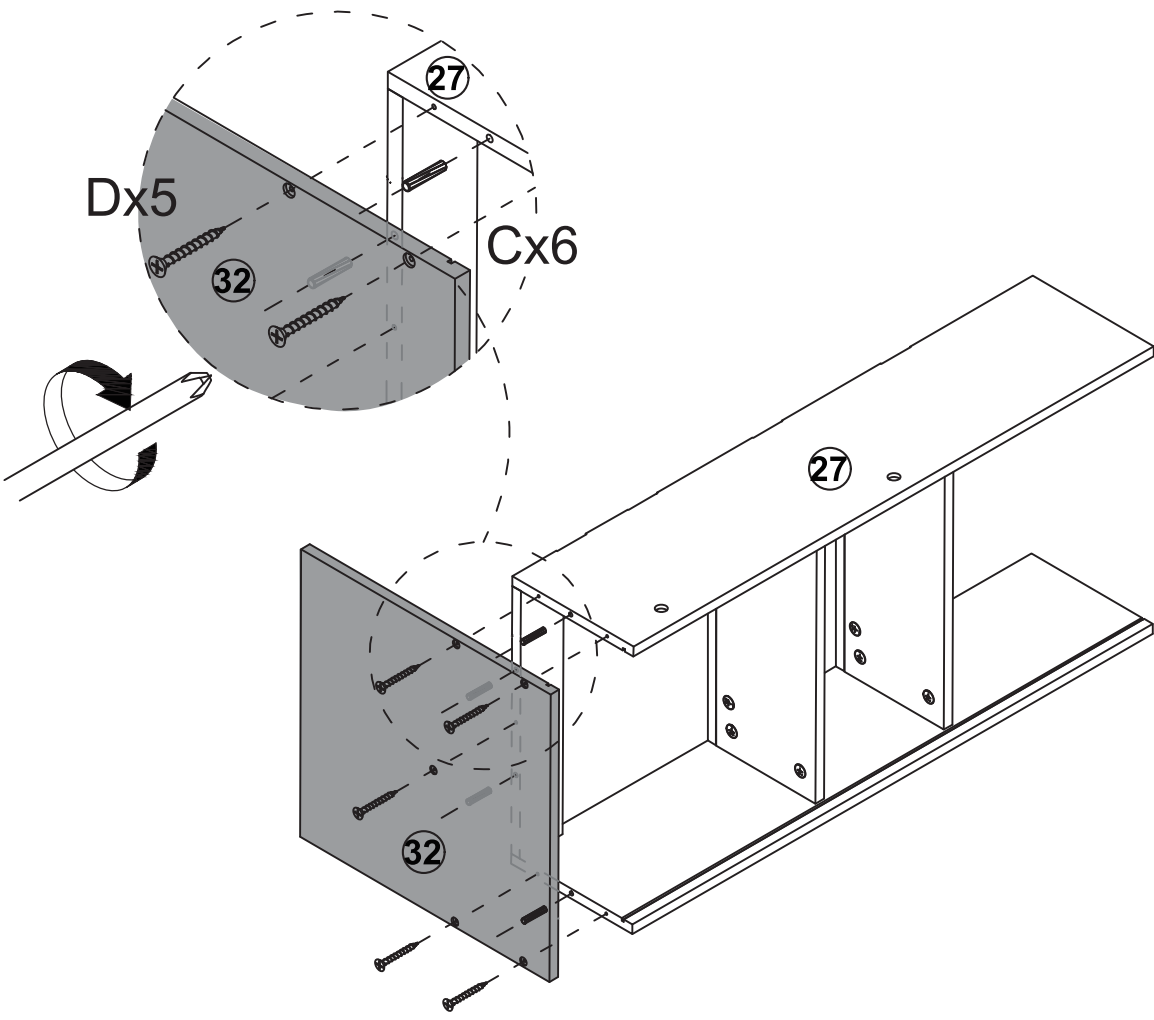
13





14



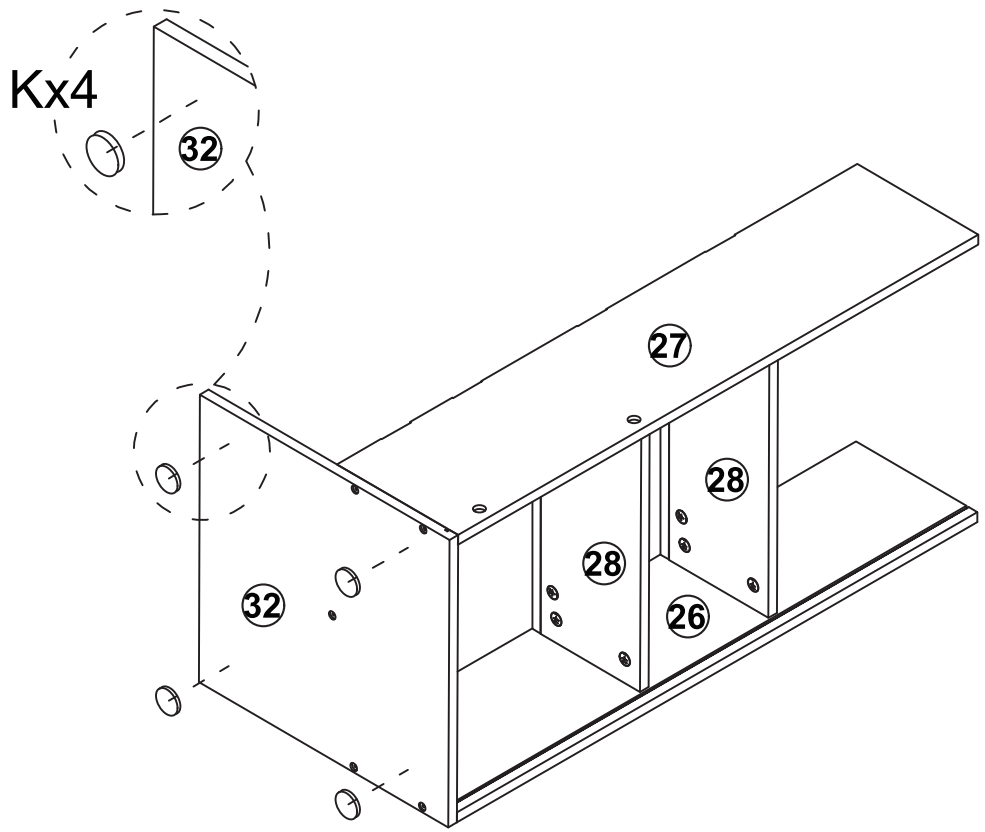
15



C  x4

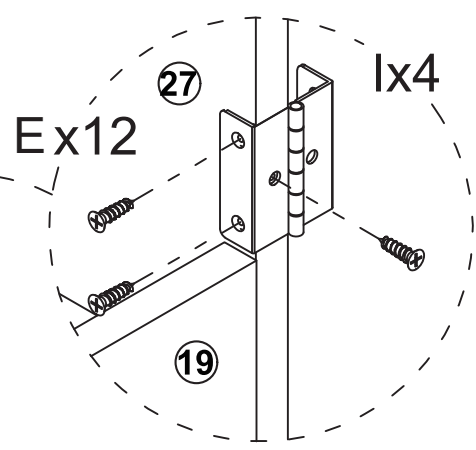
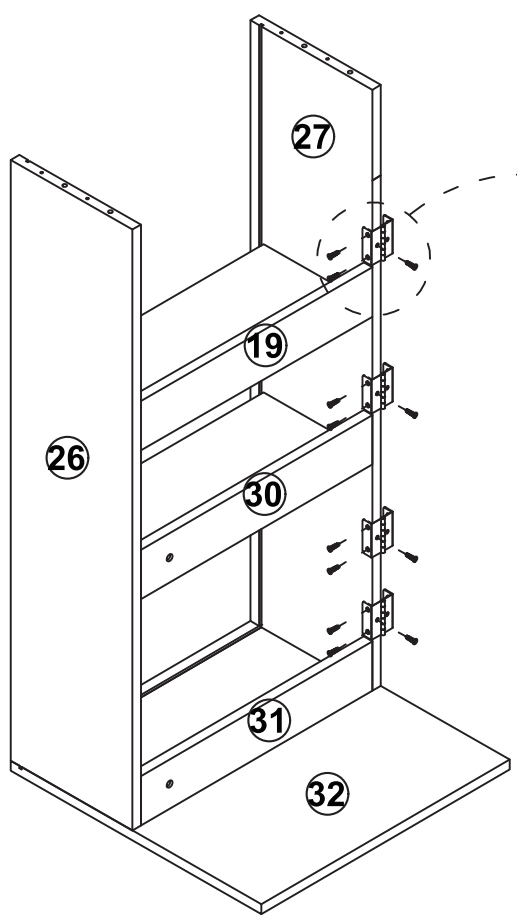
D  x5


16



K  x4

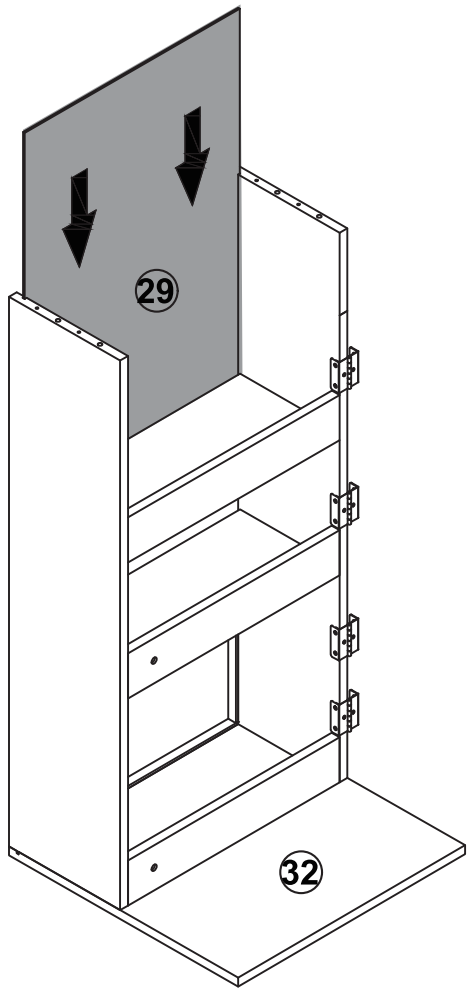
17




E  x12

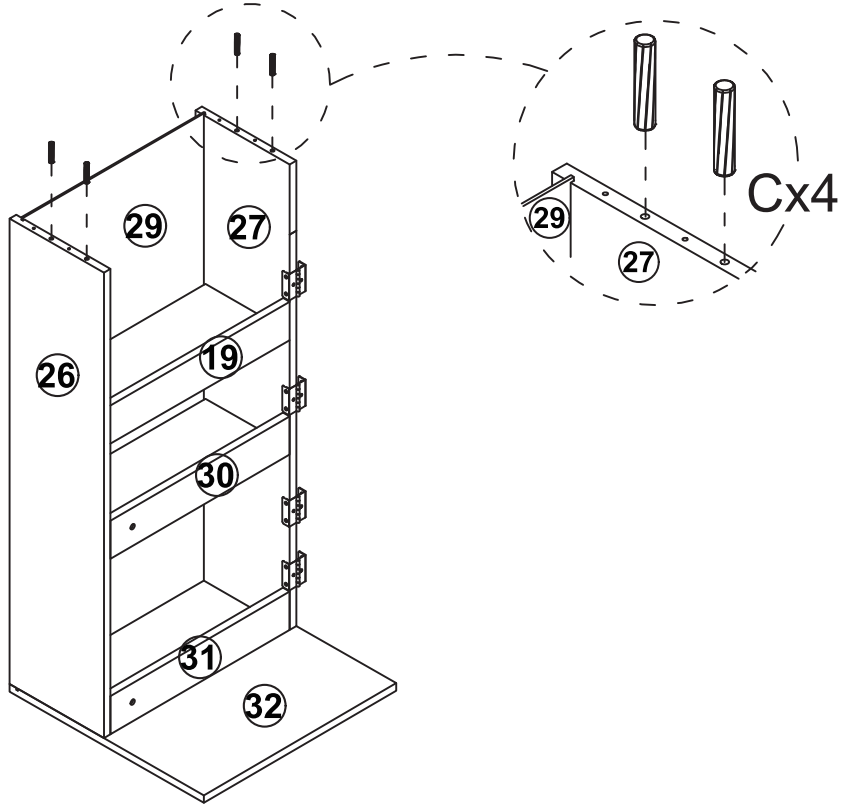
I  x4

18




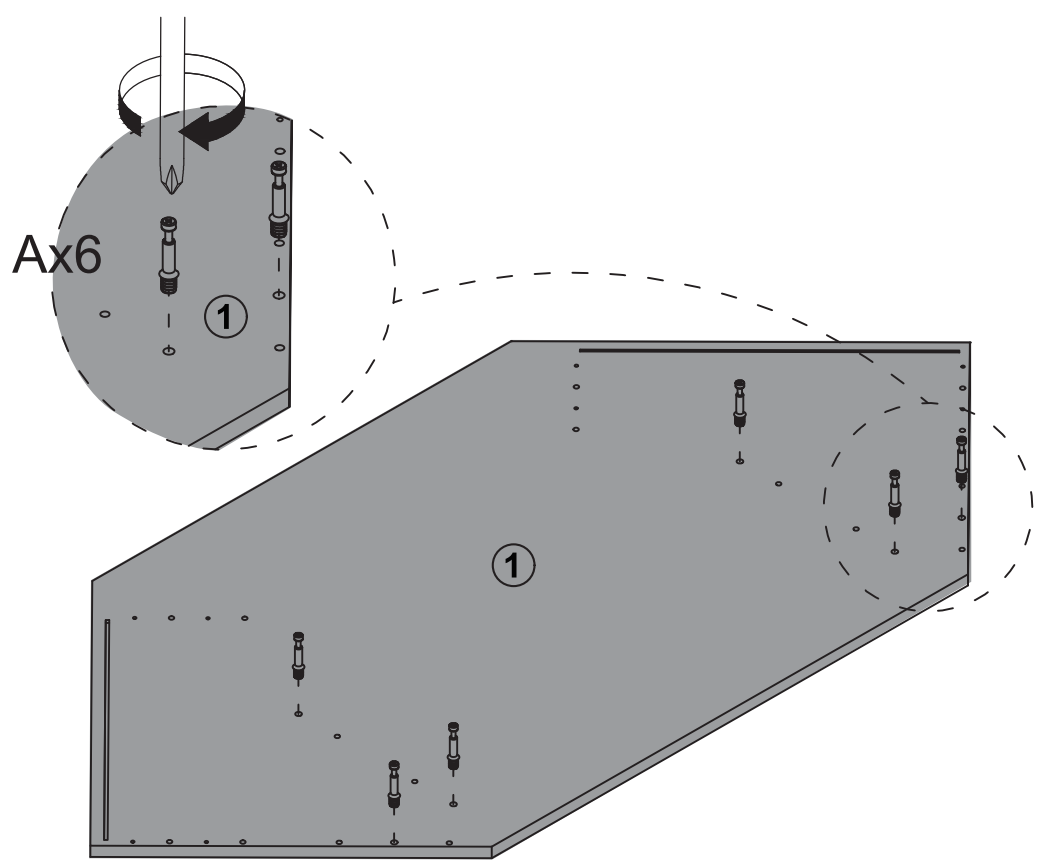
19

C  x4



20

A  x6

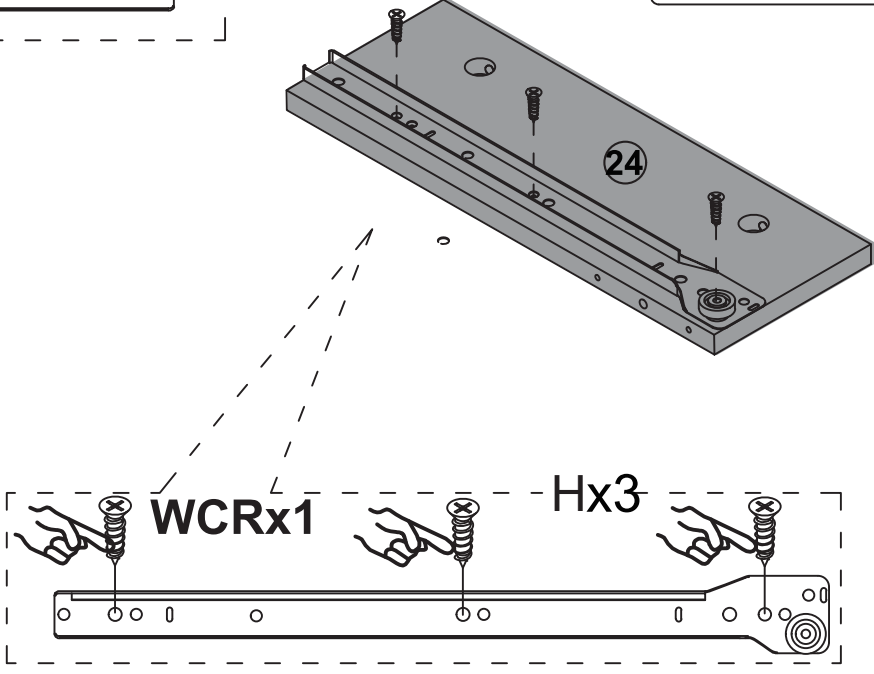
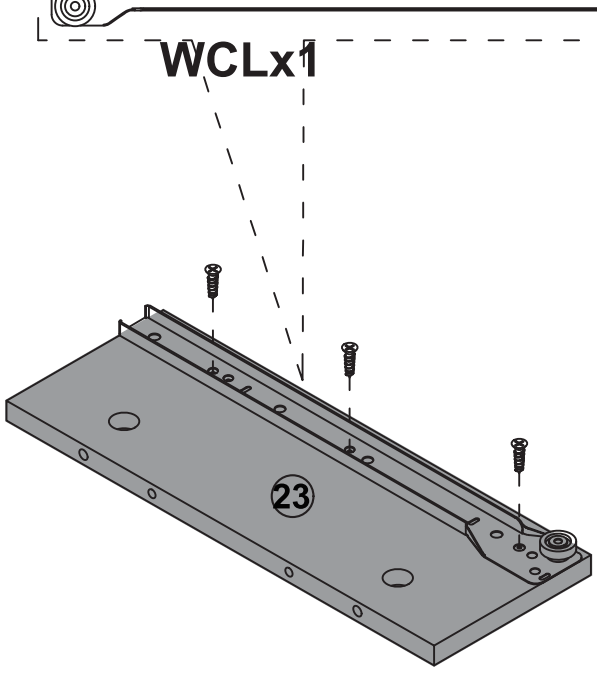
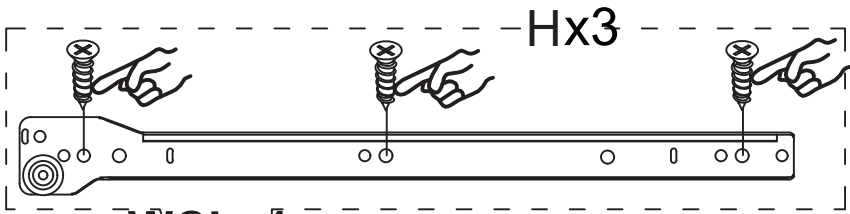


21

H  x6


WCL  x1

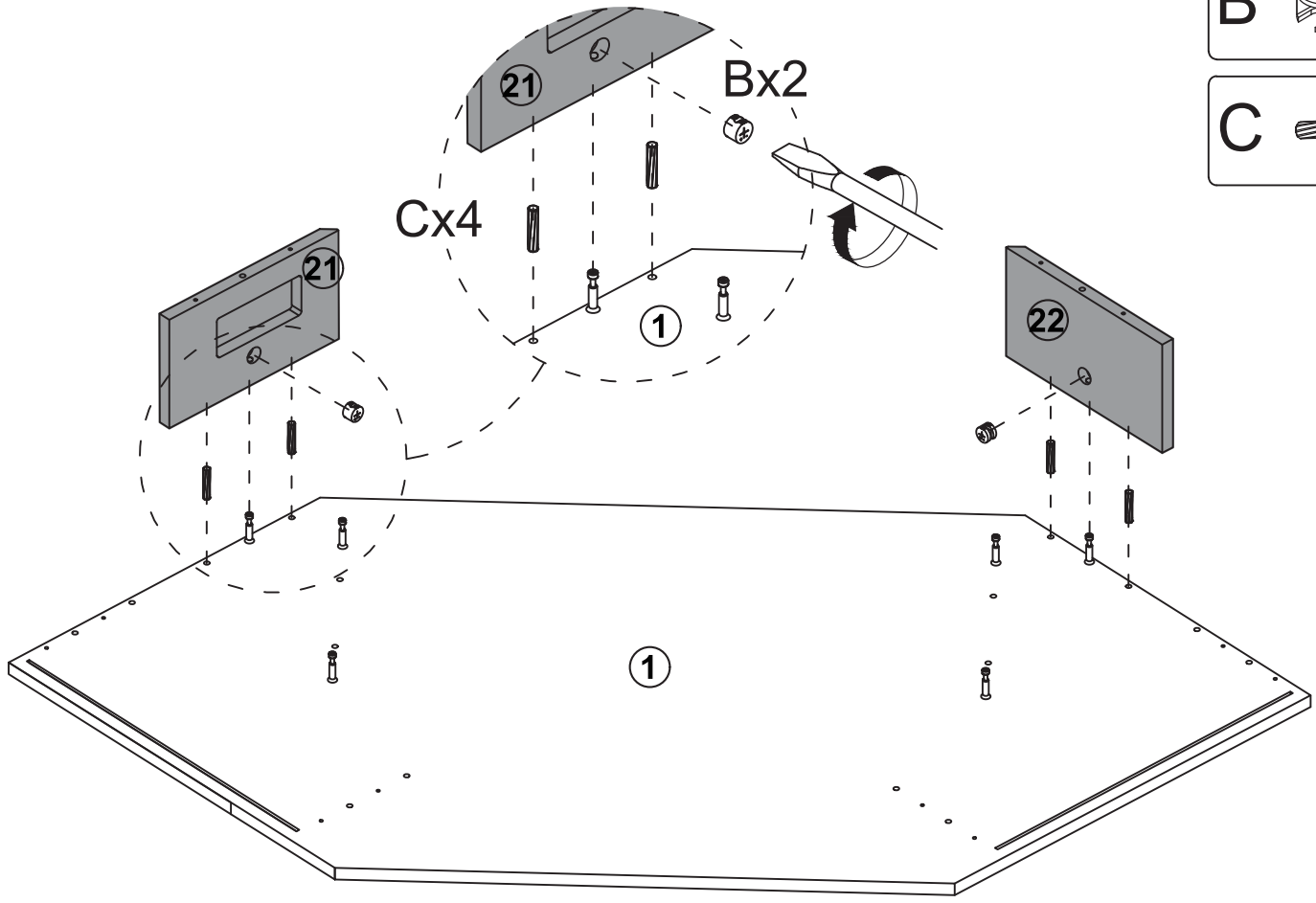
WCR  x1





22

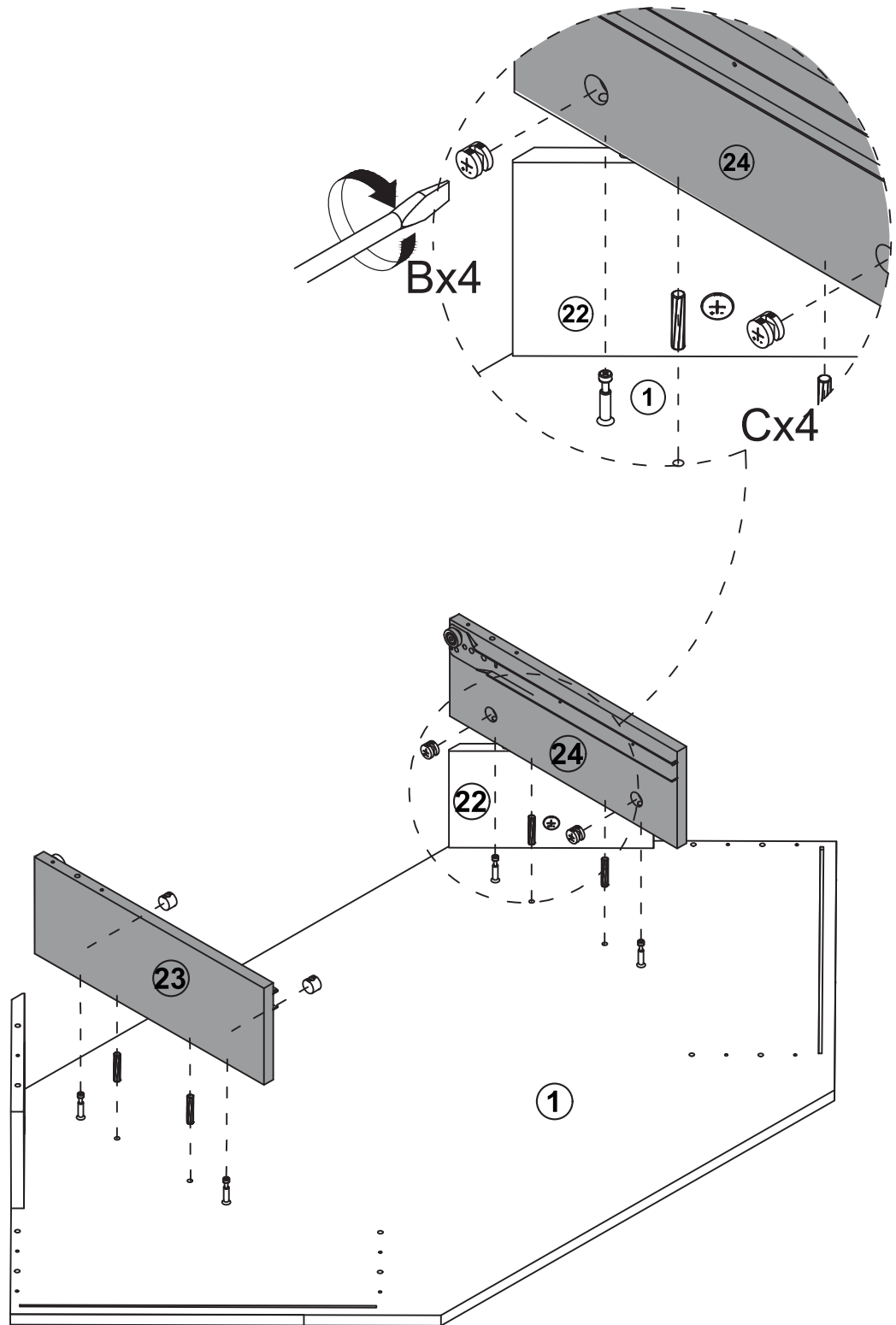
B  x2


C  x4



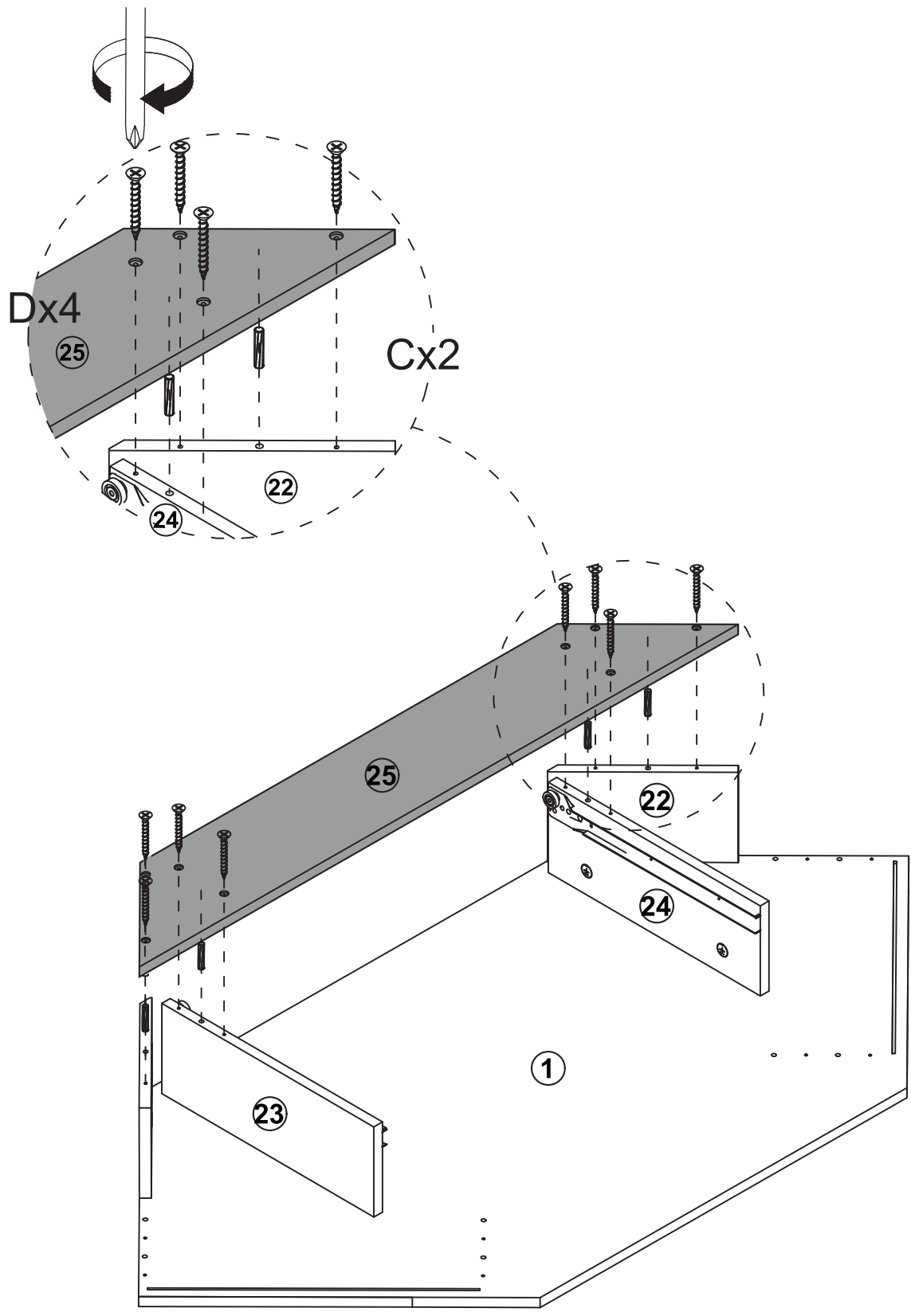
B  x4

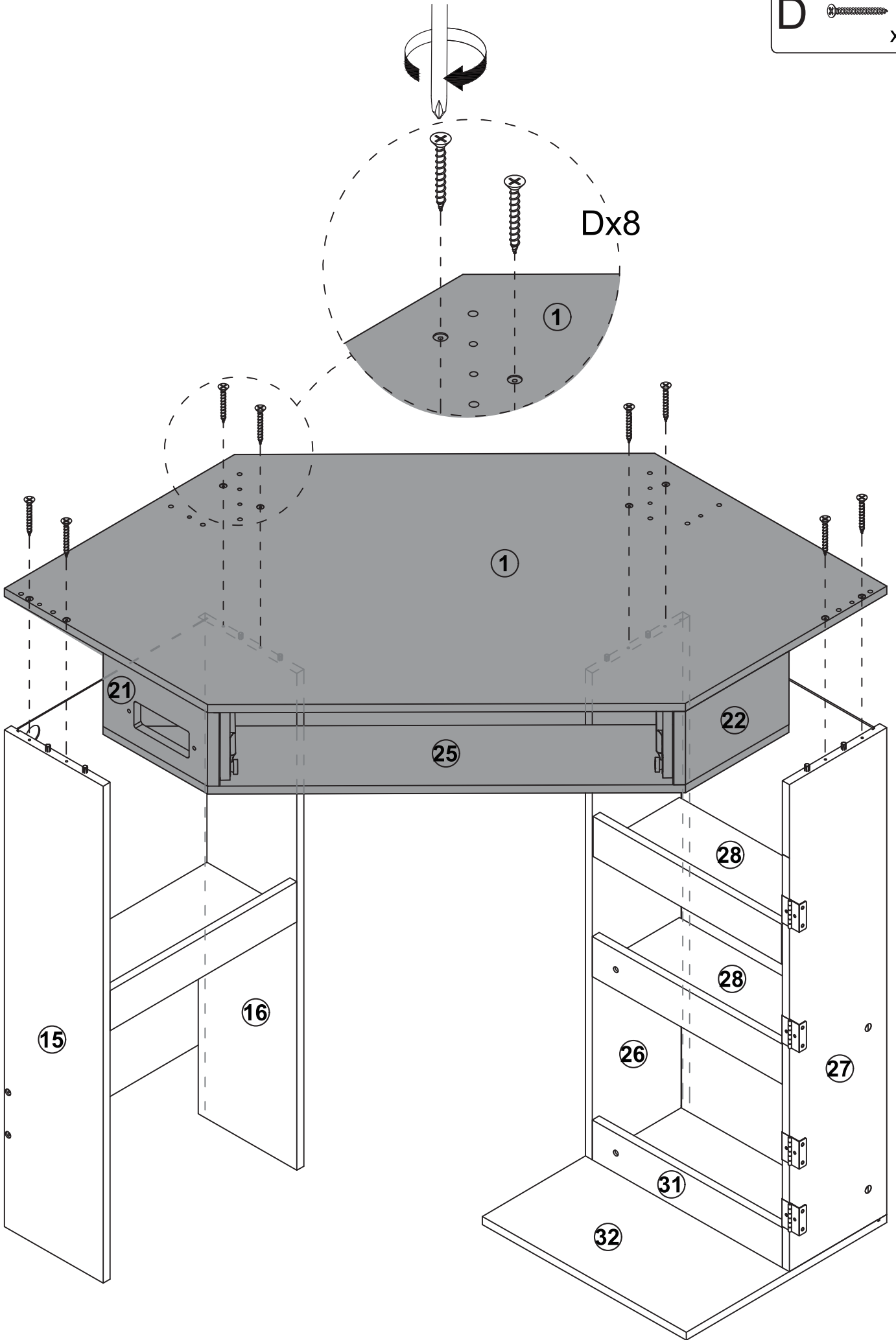
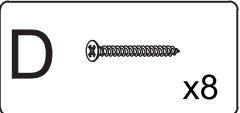
C  x4

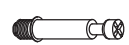


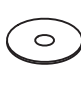



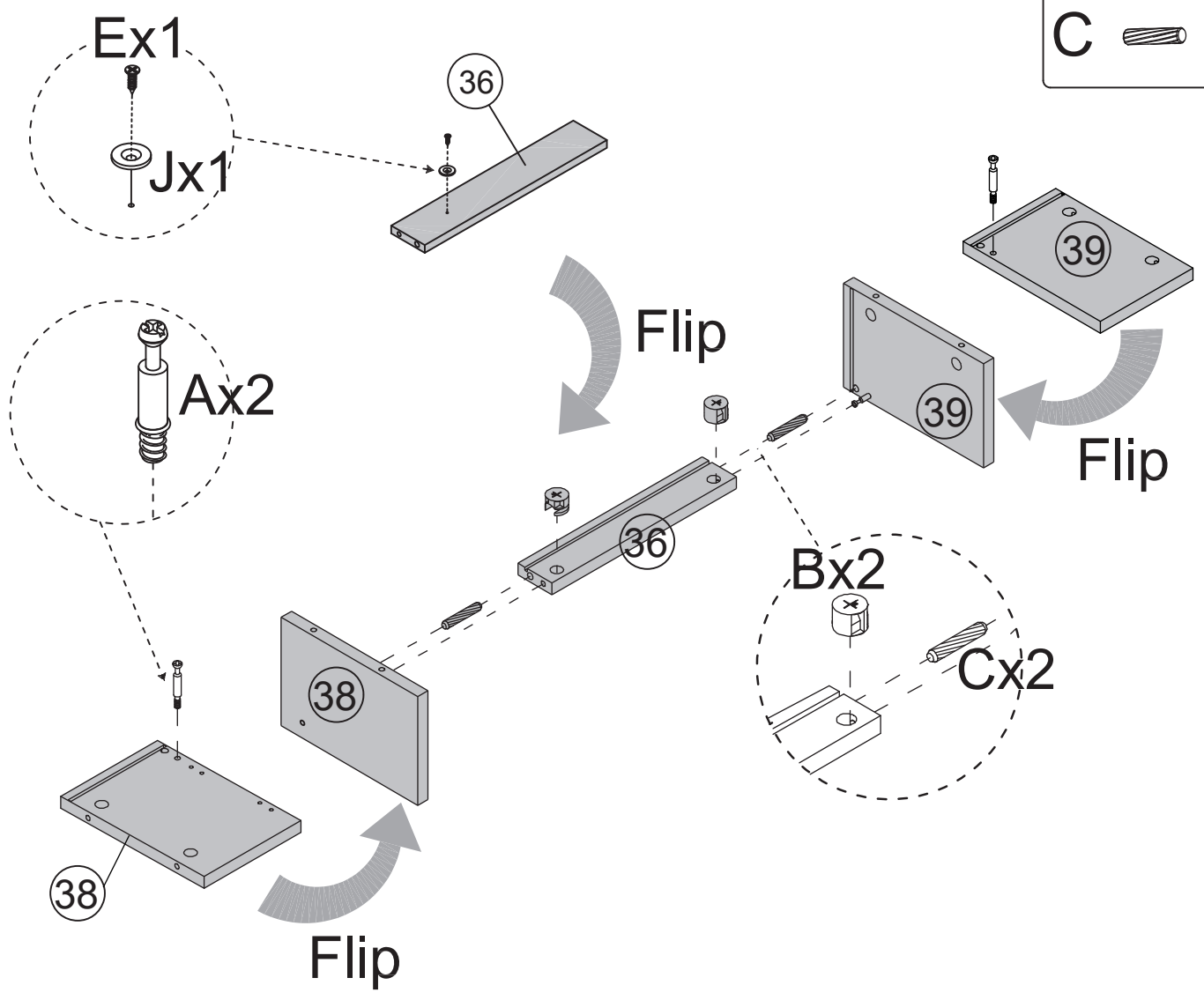
C  x4

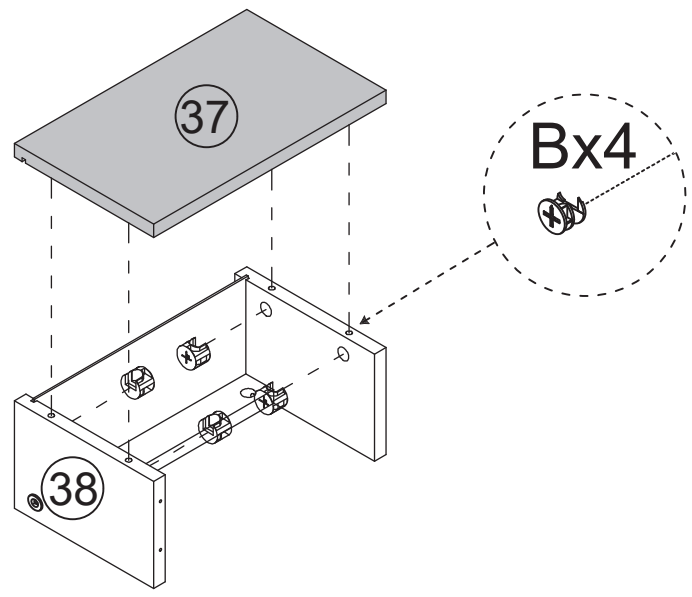
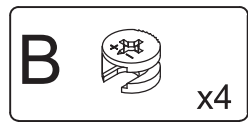
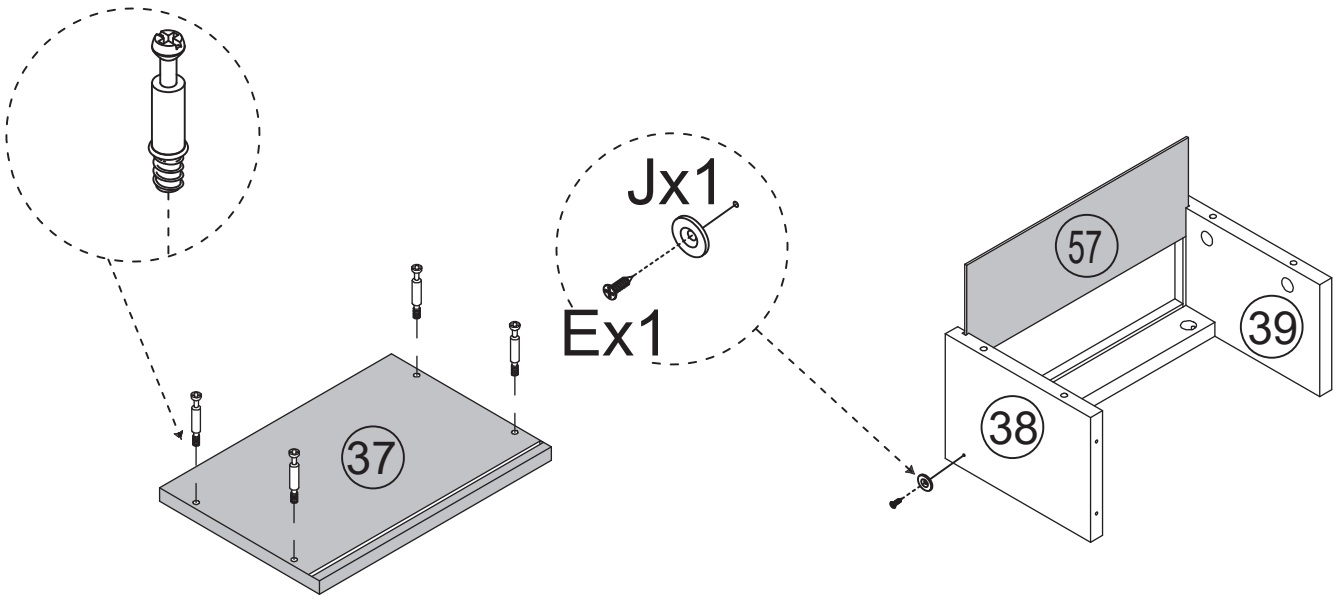
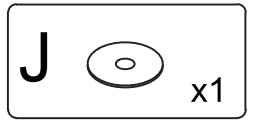
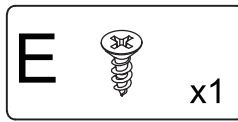
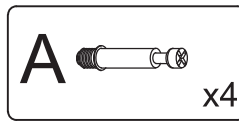
D  x8

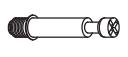






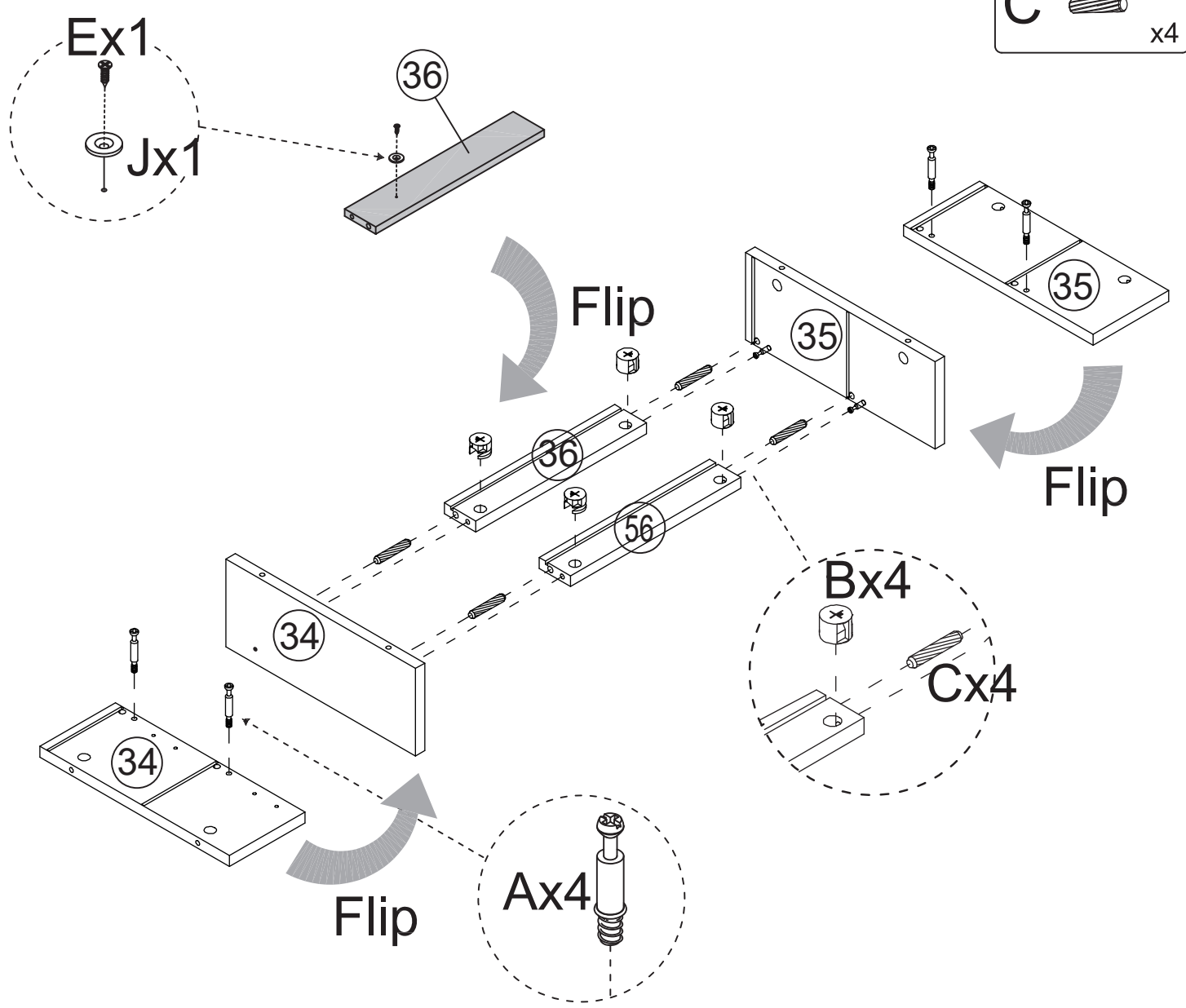


- A  x2
- B  x2
- E  x1
- J  x1
- C  x2








- A  x4
- B  x4
- E  x1
- J  x1
- C  x4

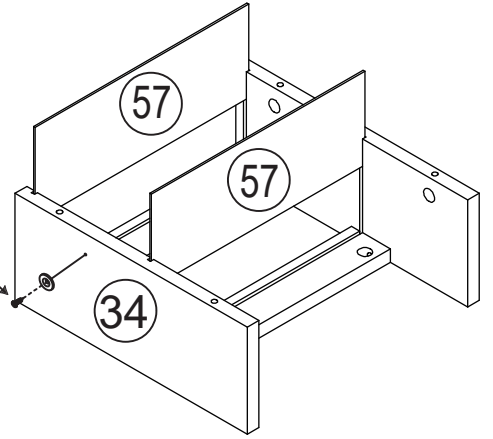
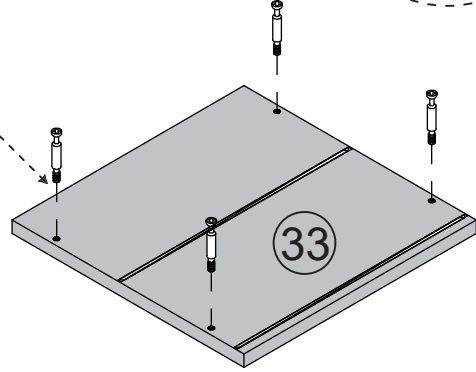
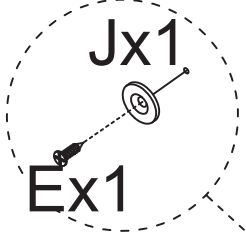
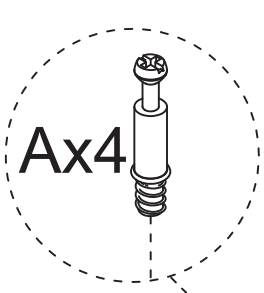


30

A  x4

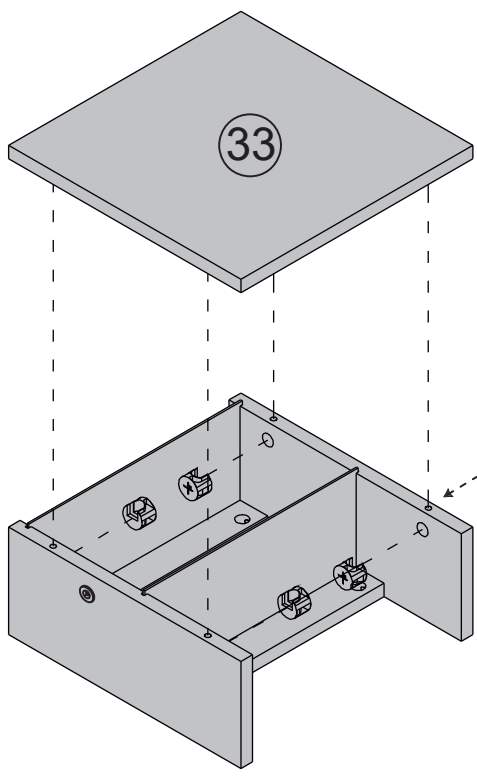
E  x1

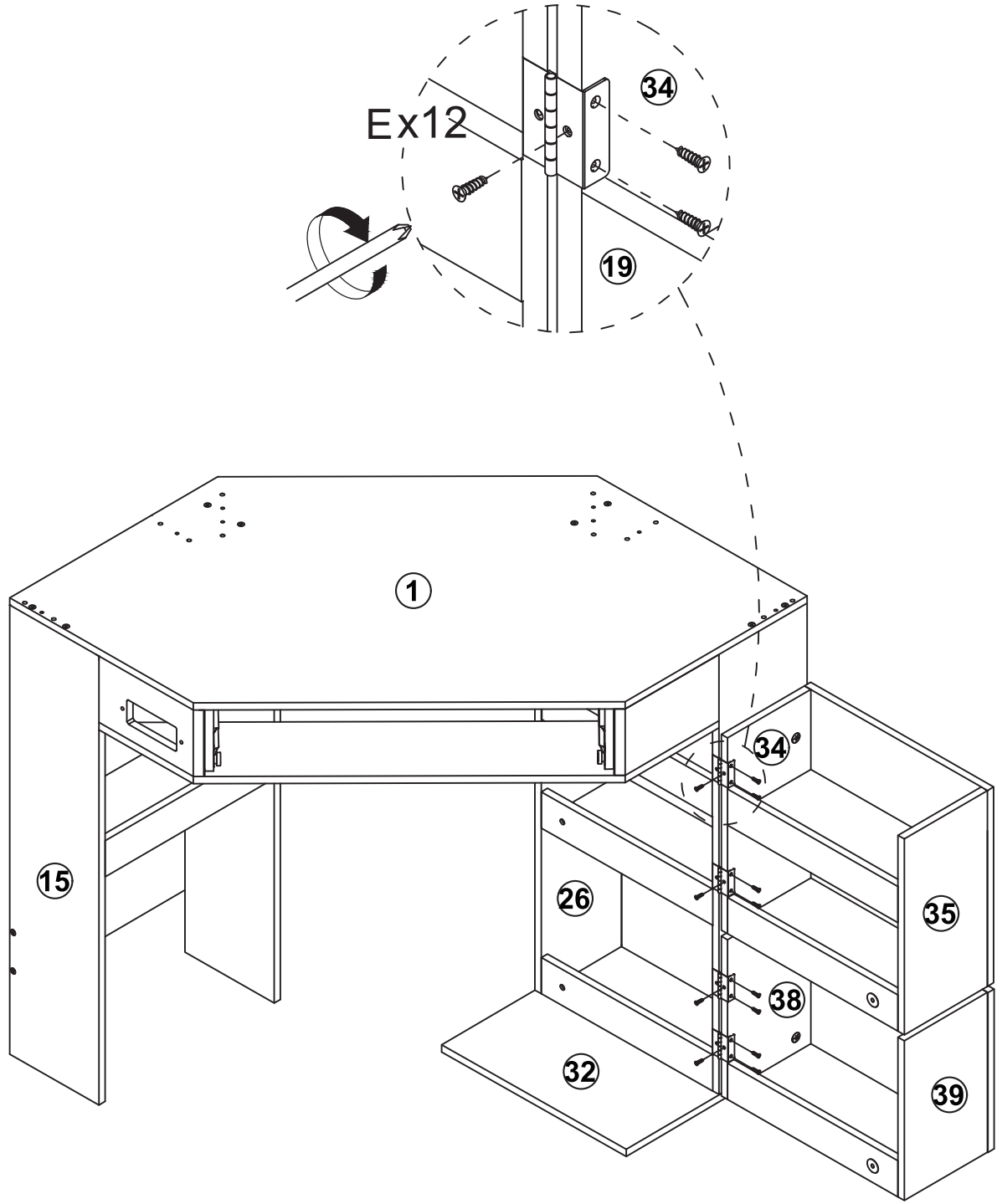
J  x1

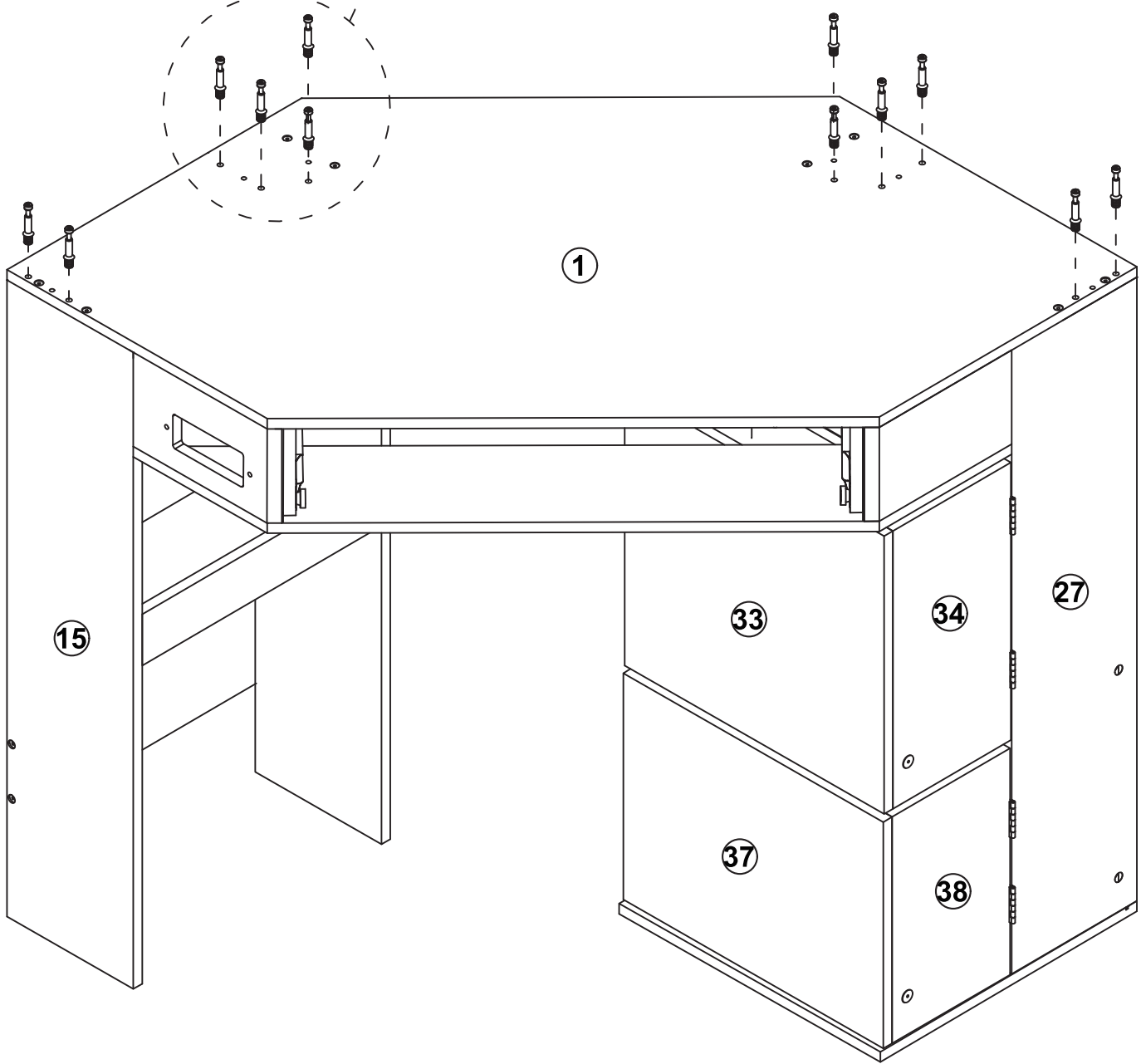
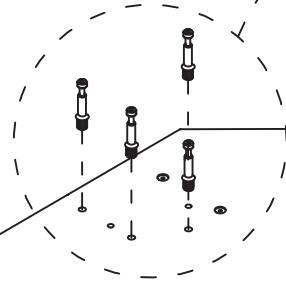
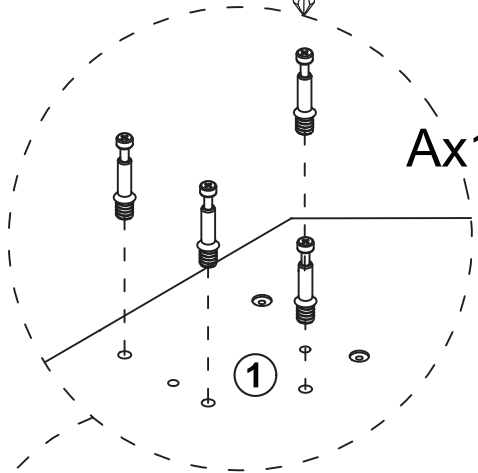
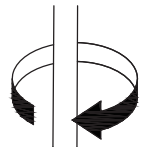
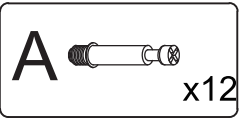


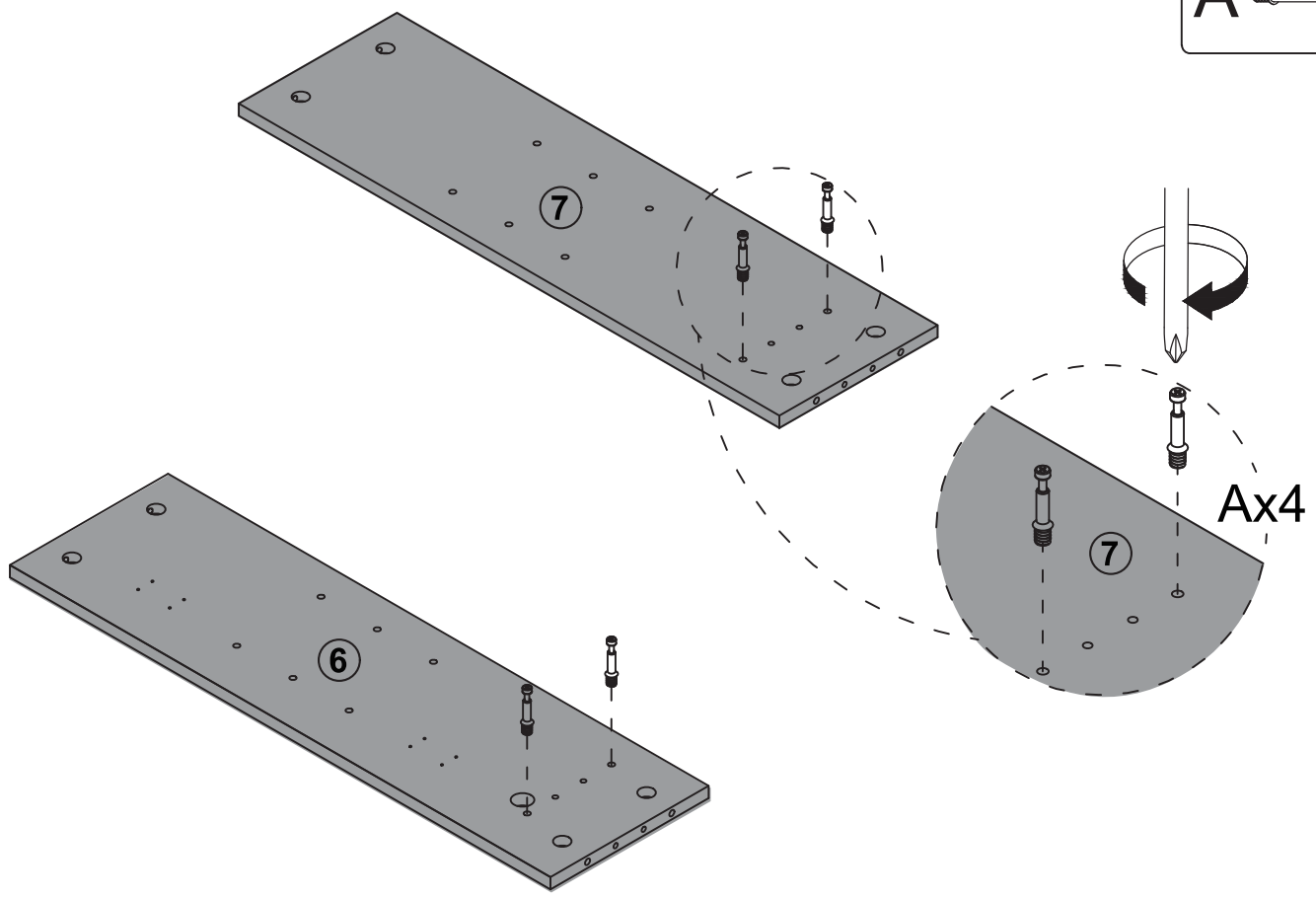
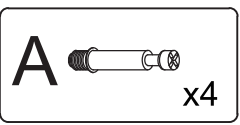
31

B  x4

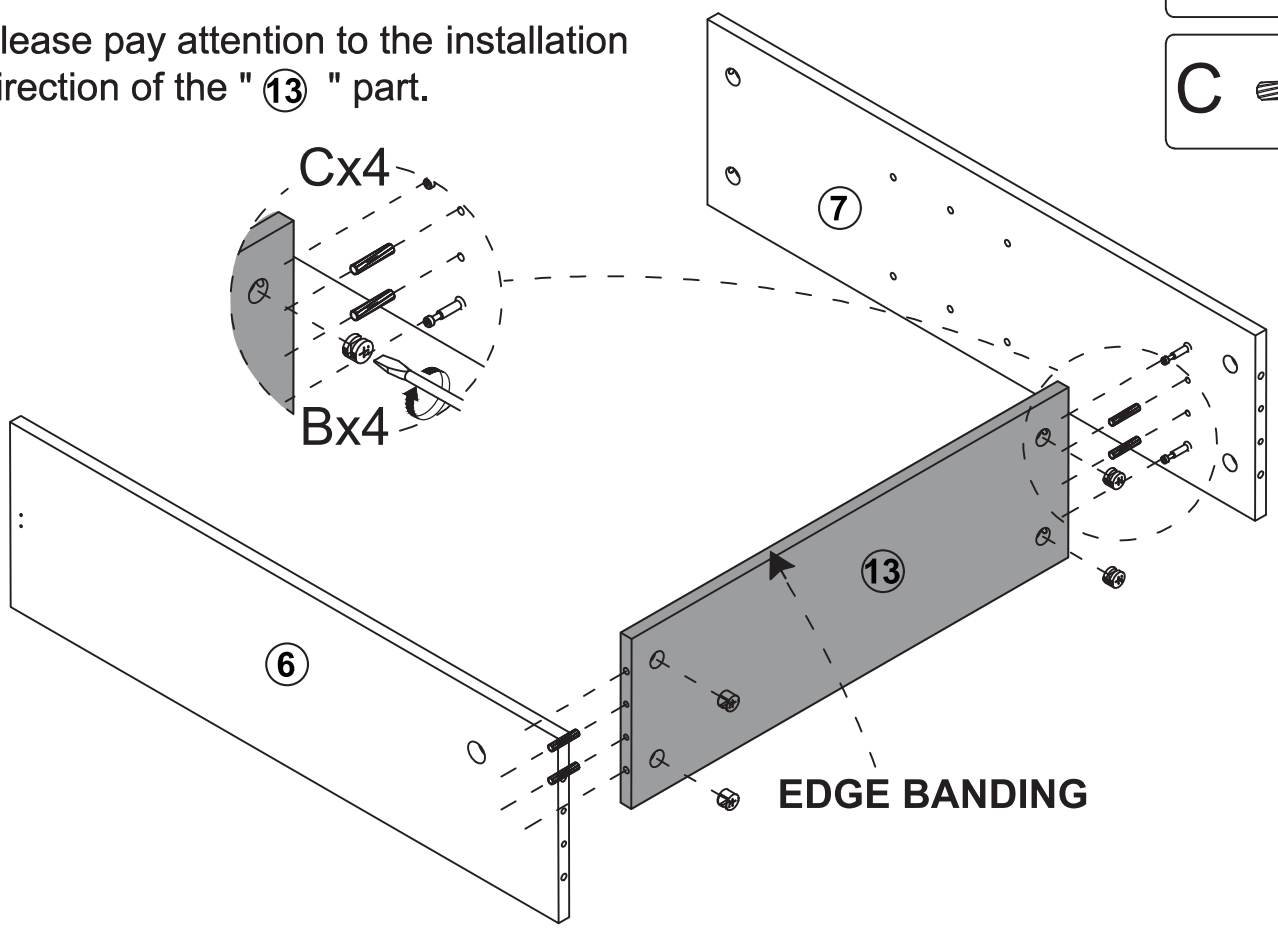
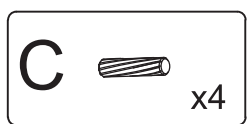
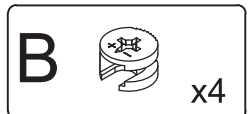


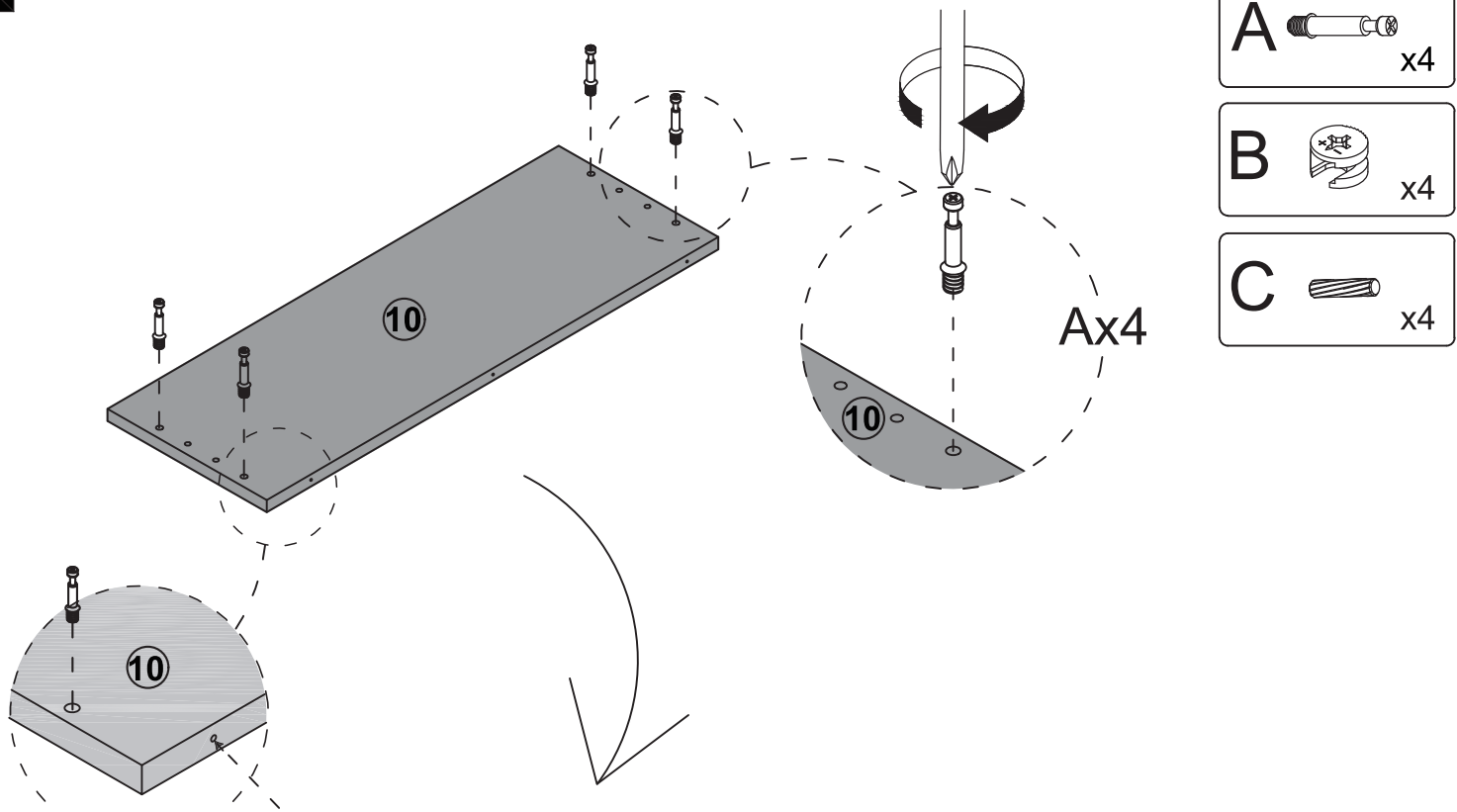




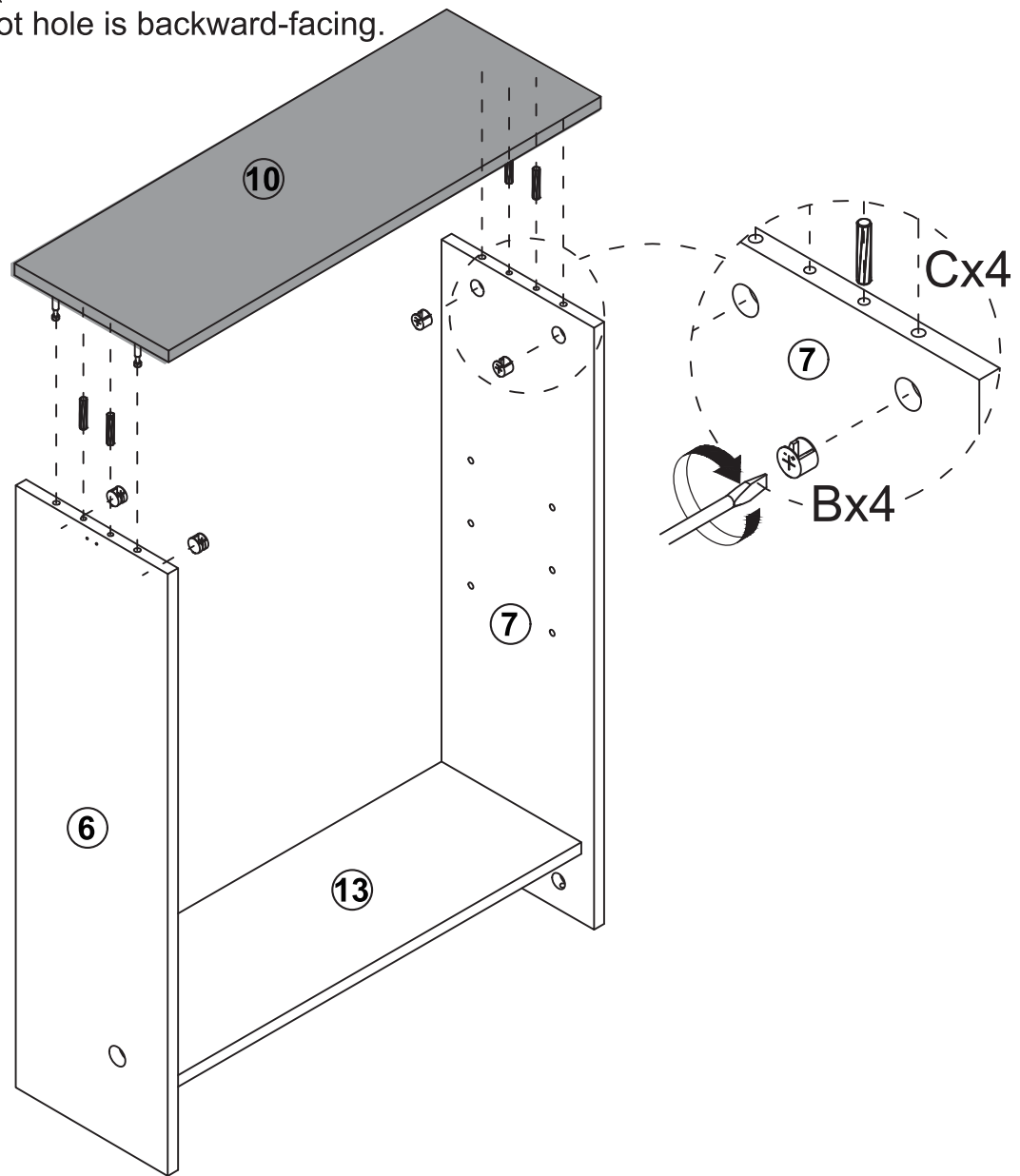


Please pay attention to the installation direction of the "13" part.






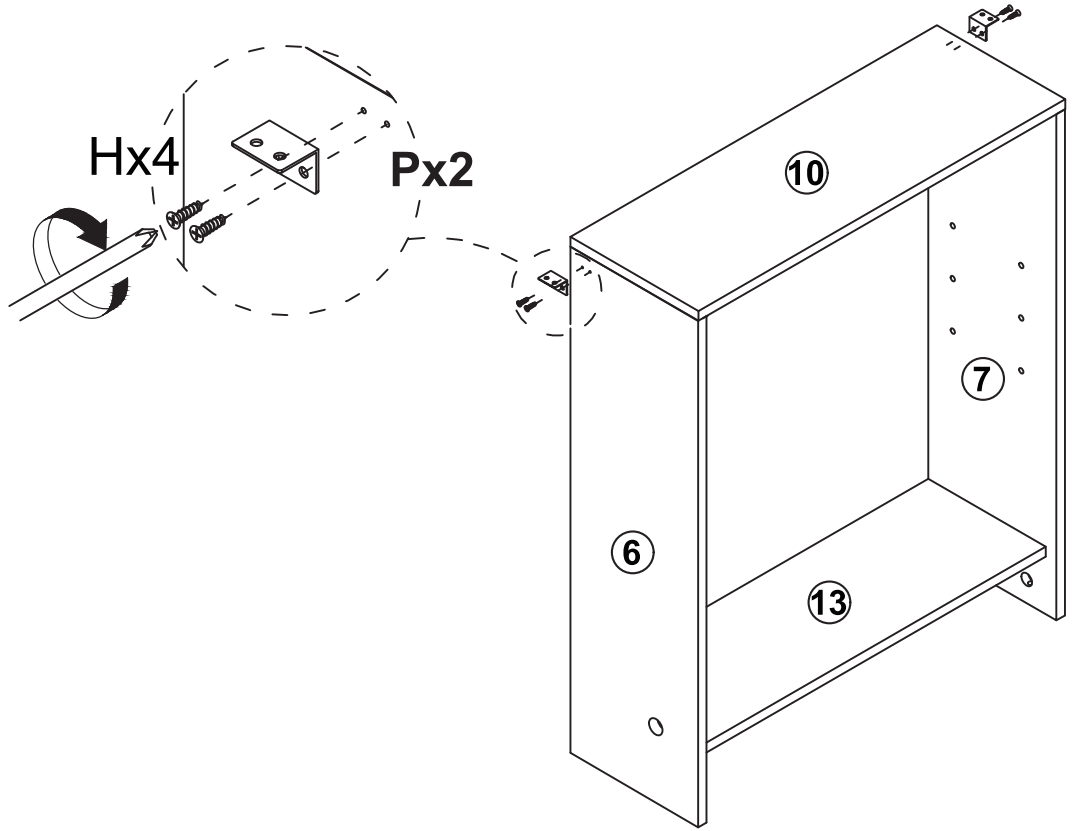
The pilot hole is backward-facing.



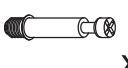
37

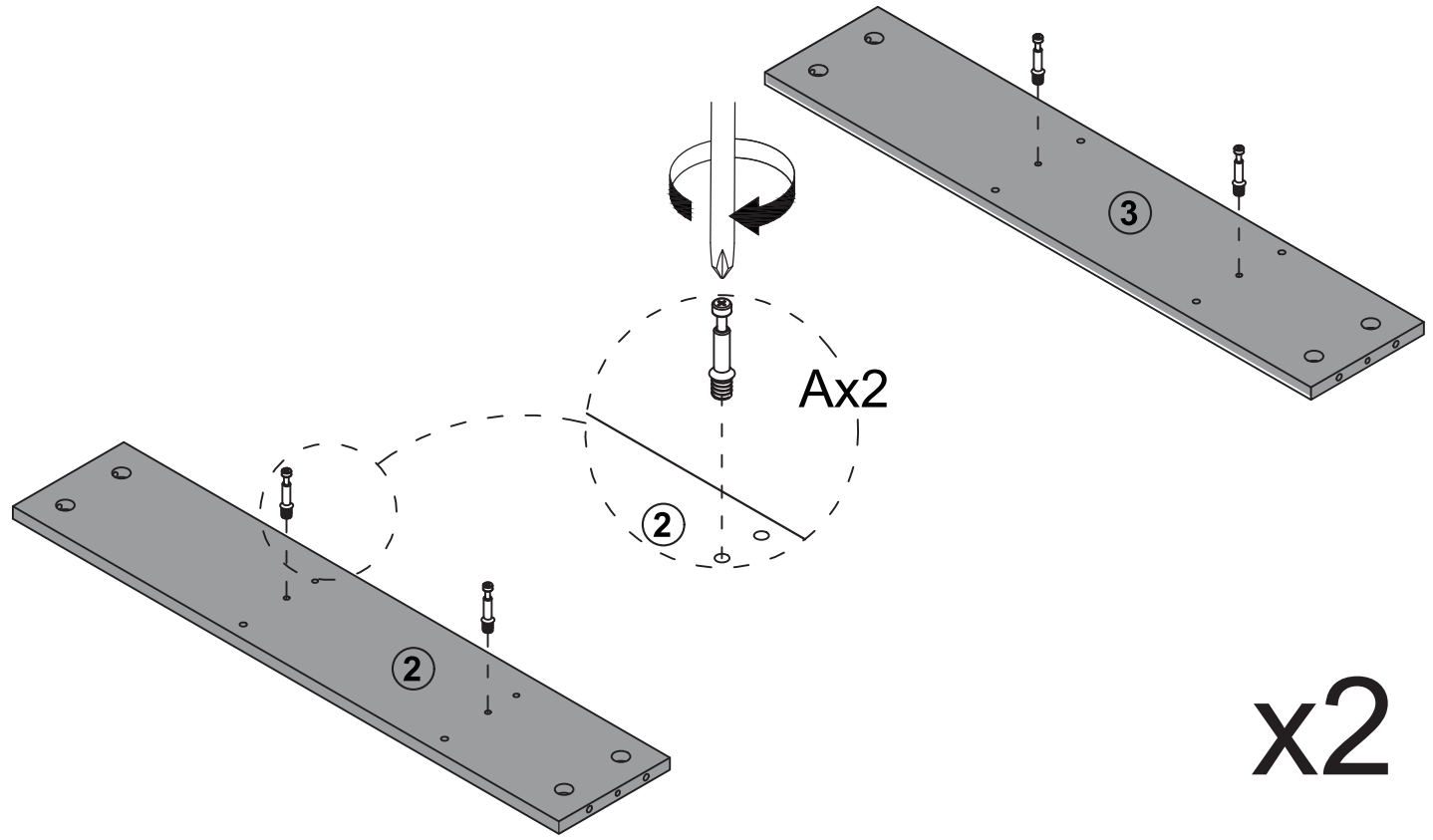
H  x4

P  x2

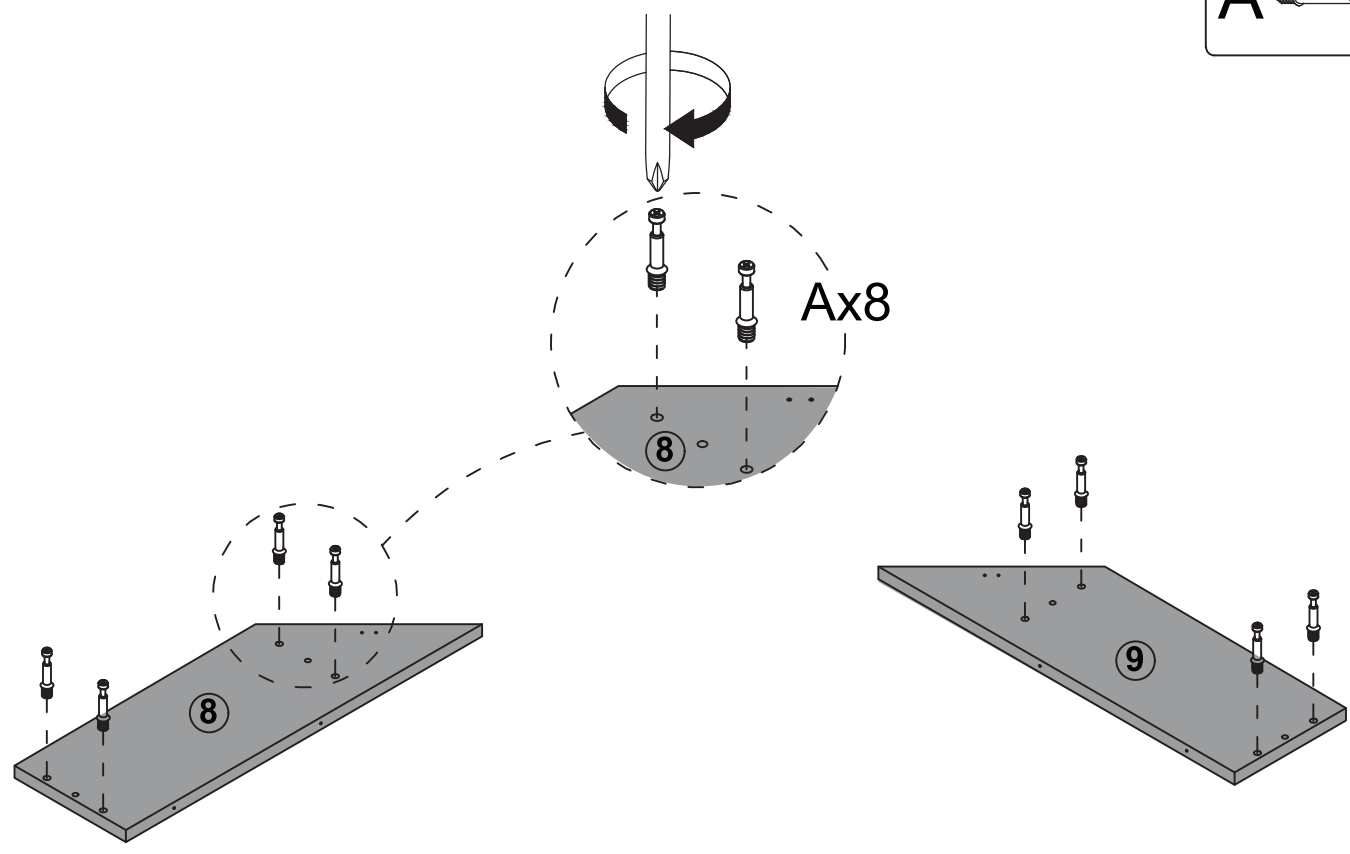
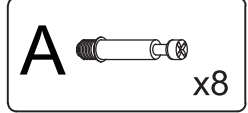
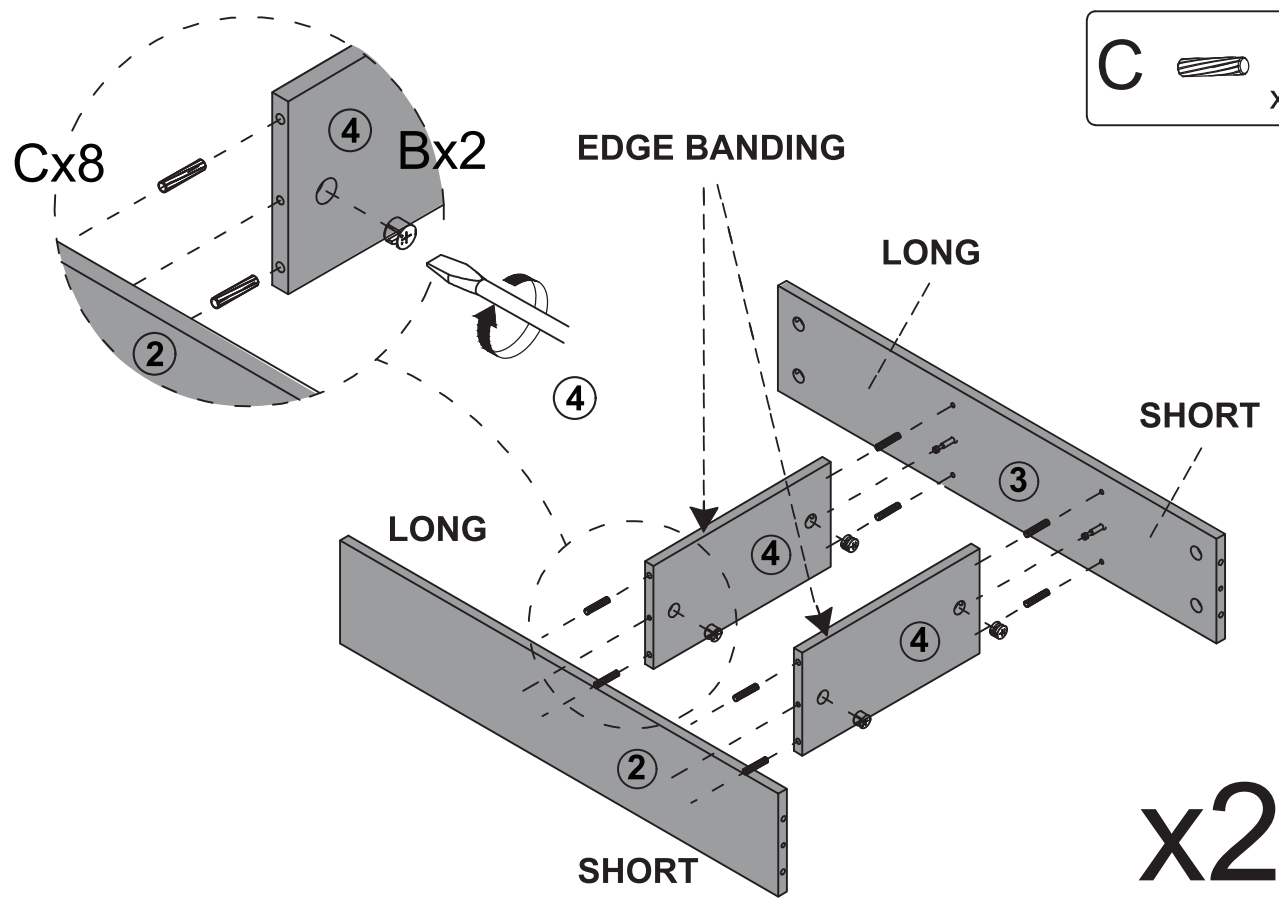
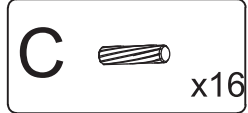
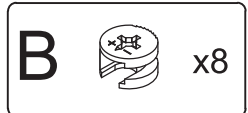


38

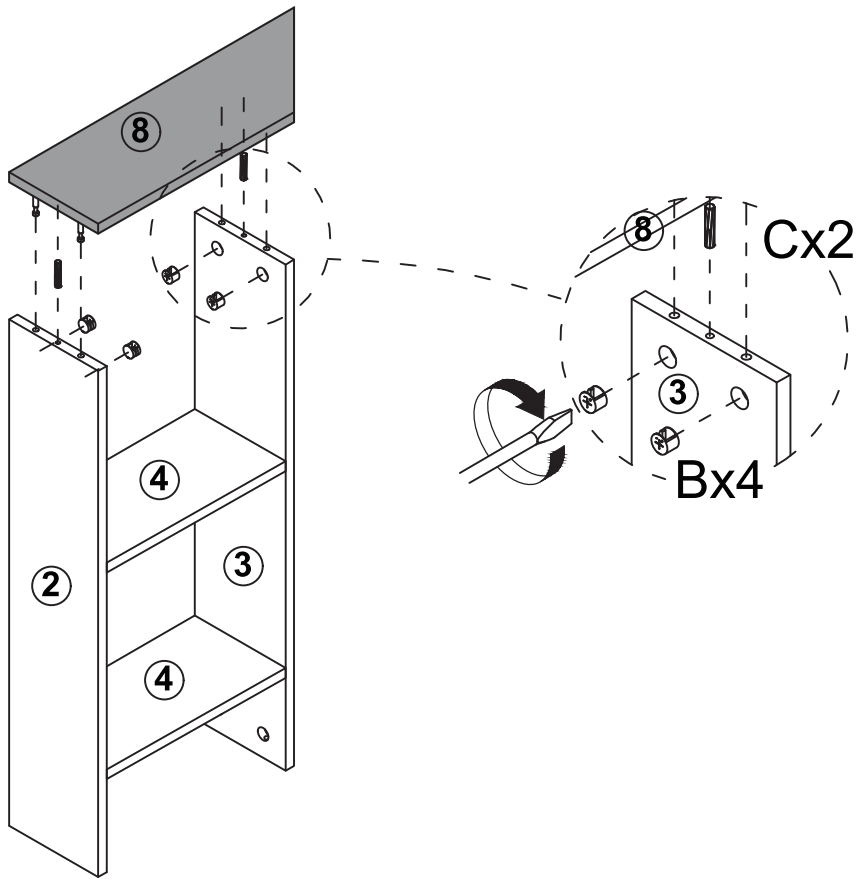
A  x8




x2



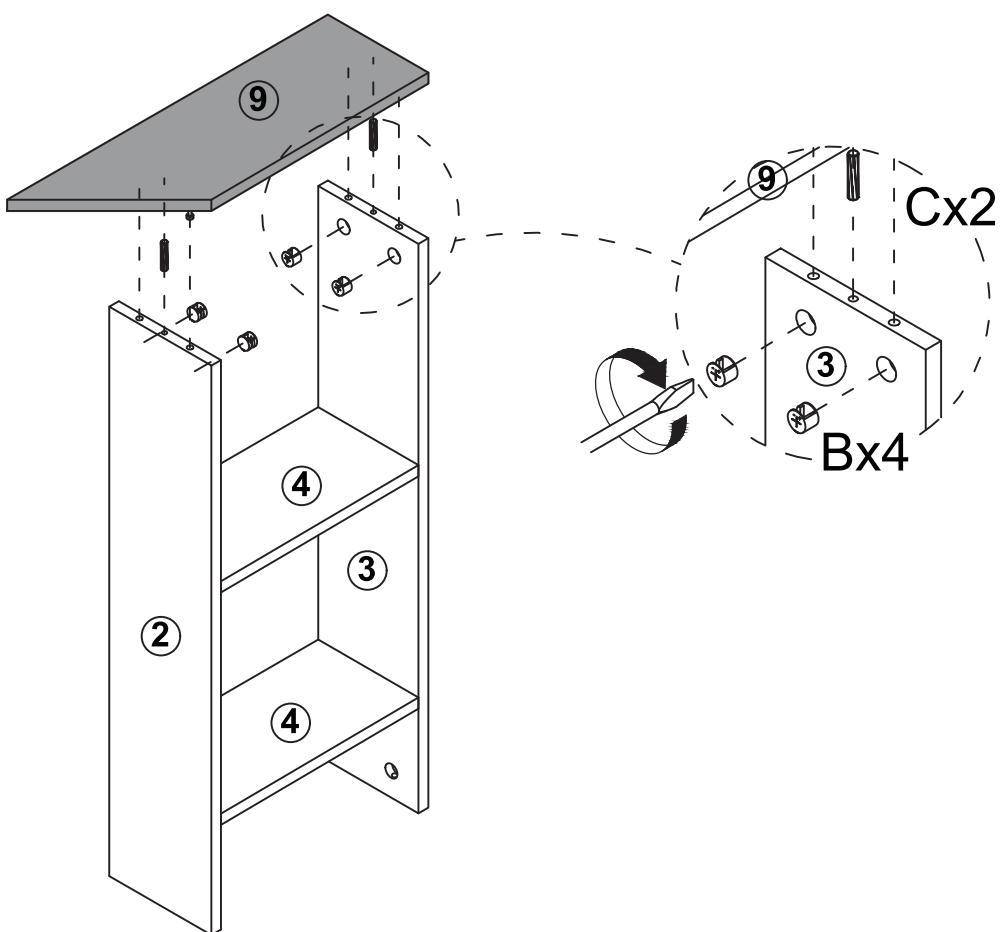
41




B  x4

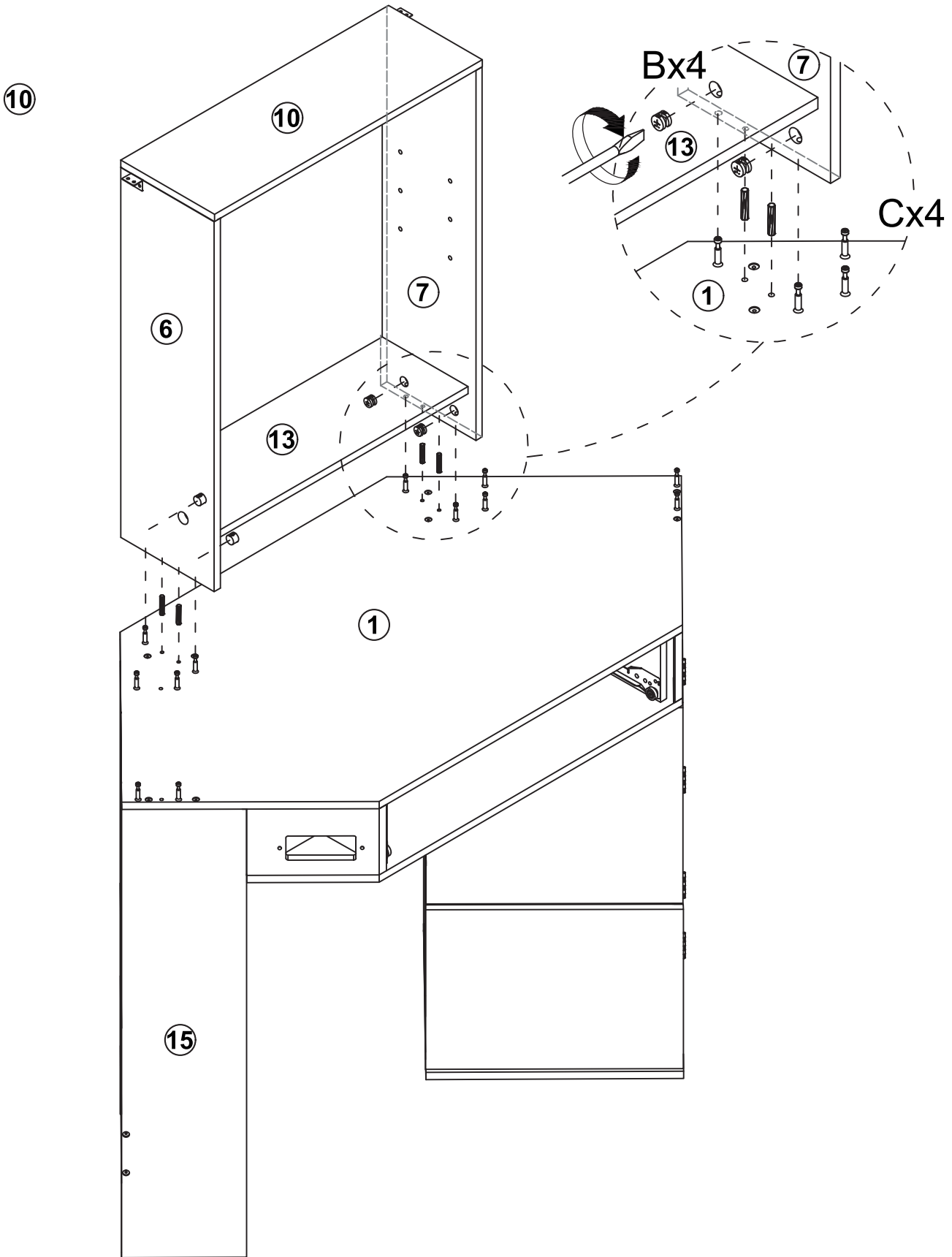
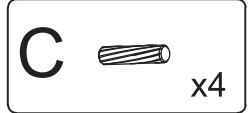
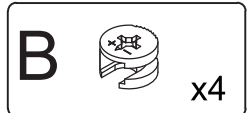
C  x2

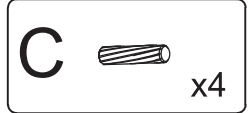
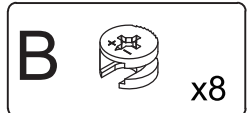
42



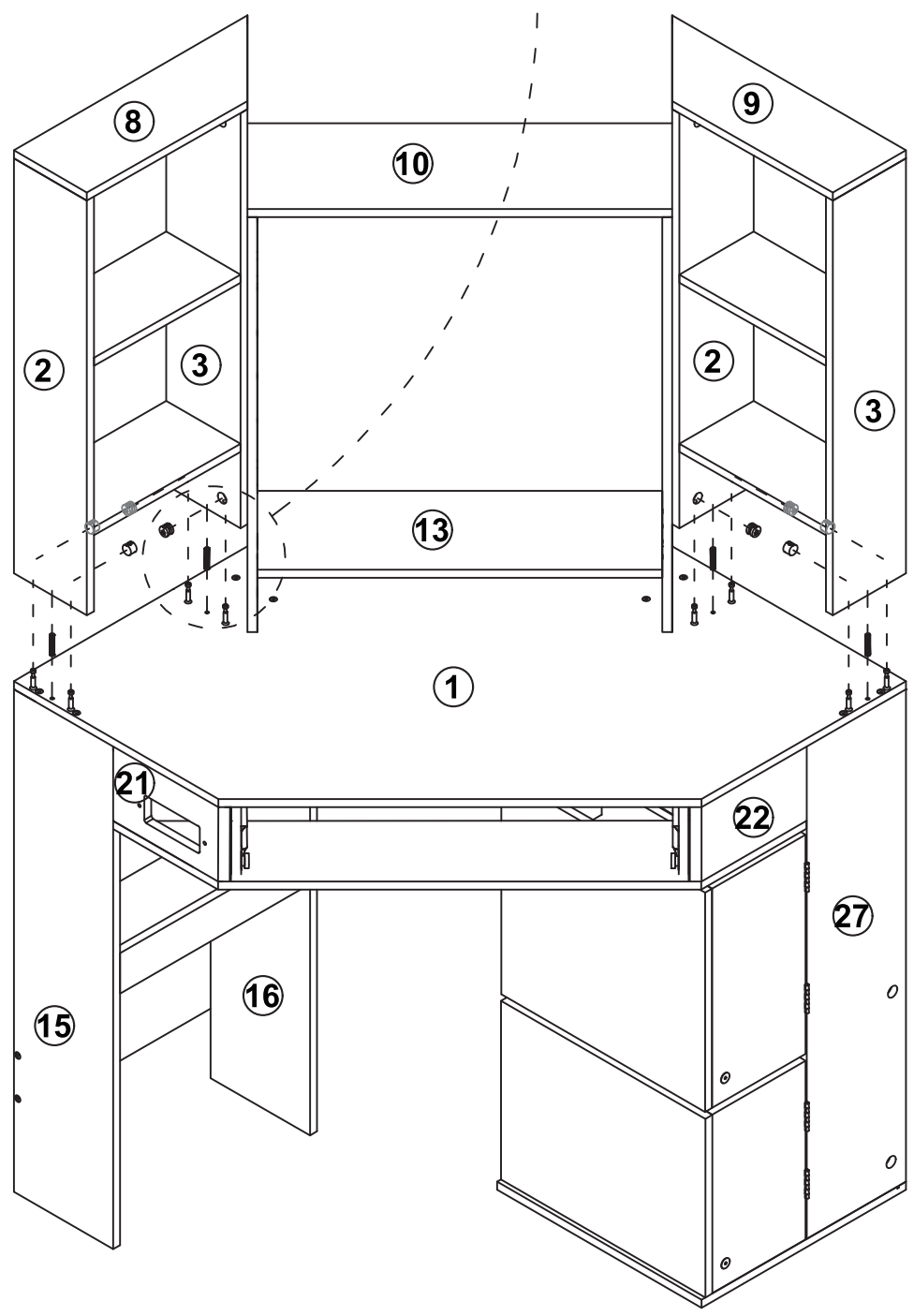
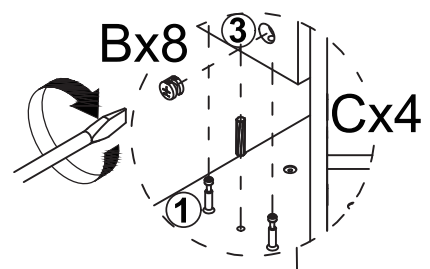
B  x4

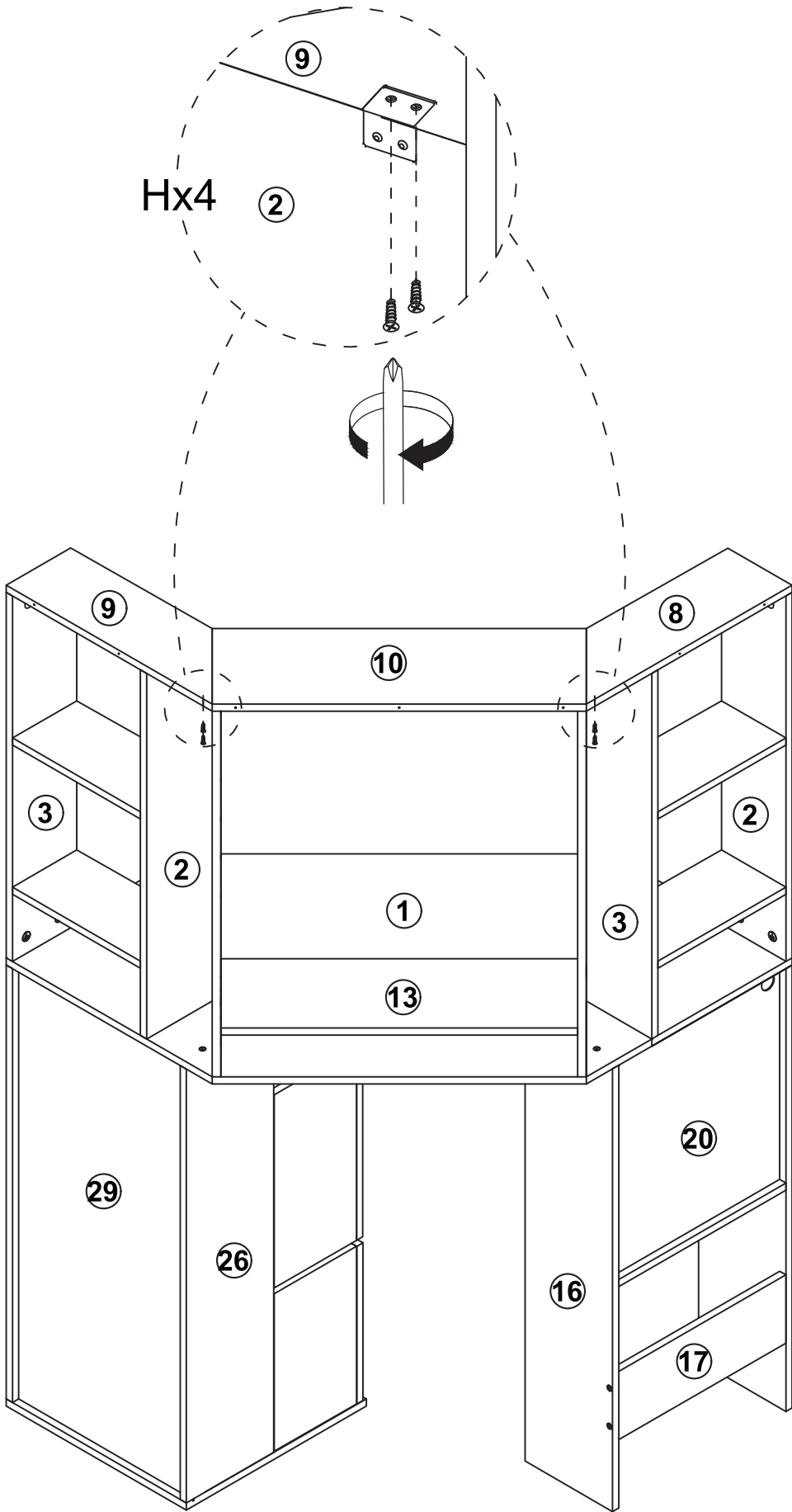
C  x2

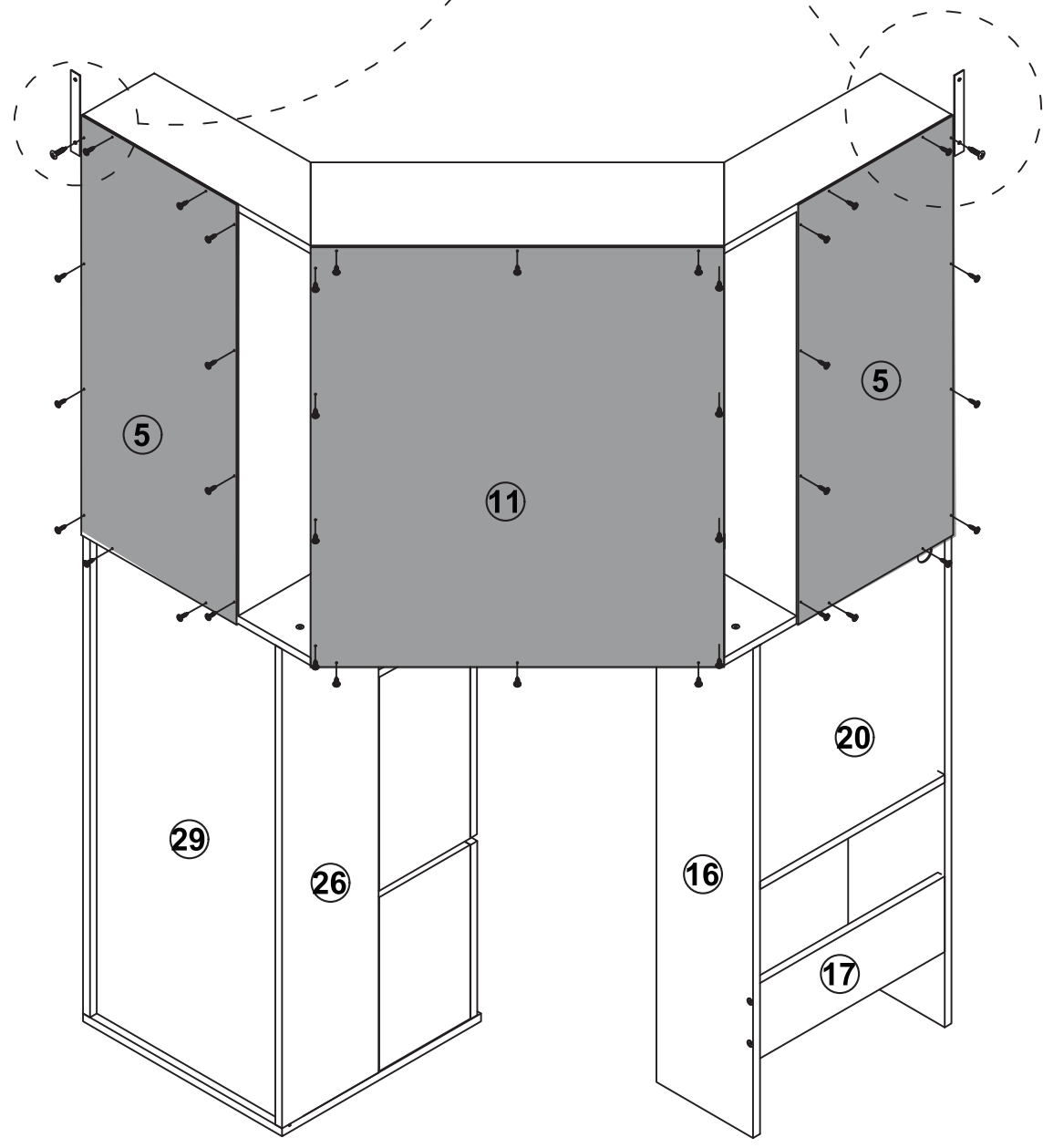
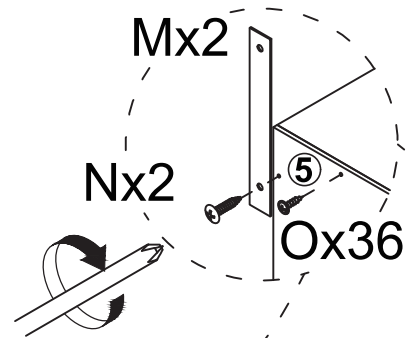
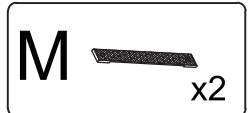






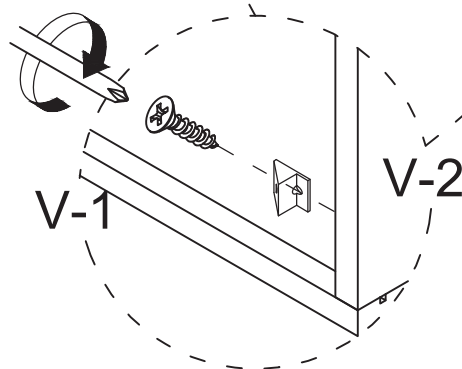
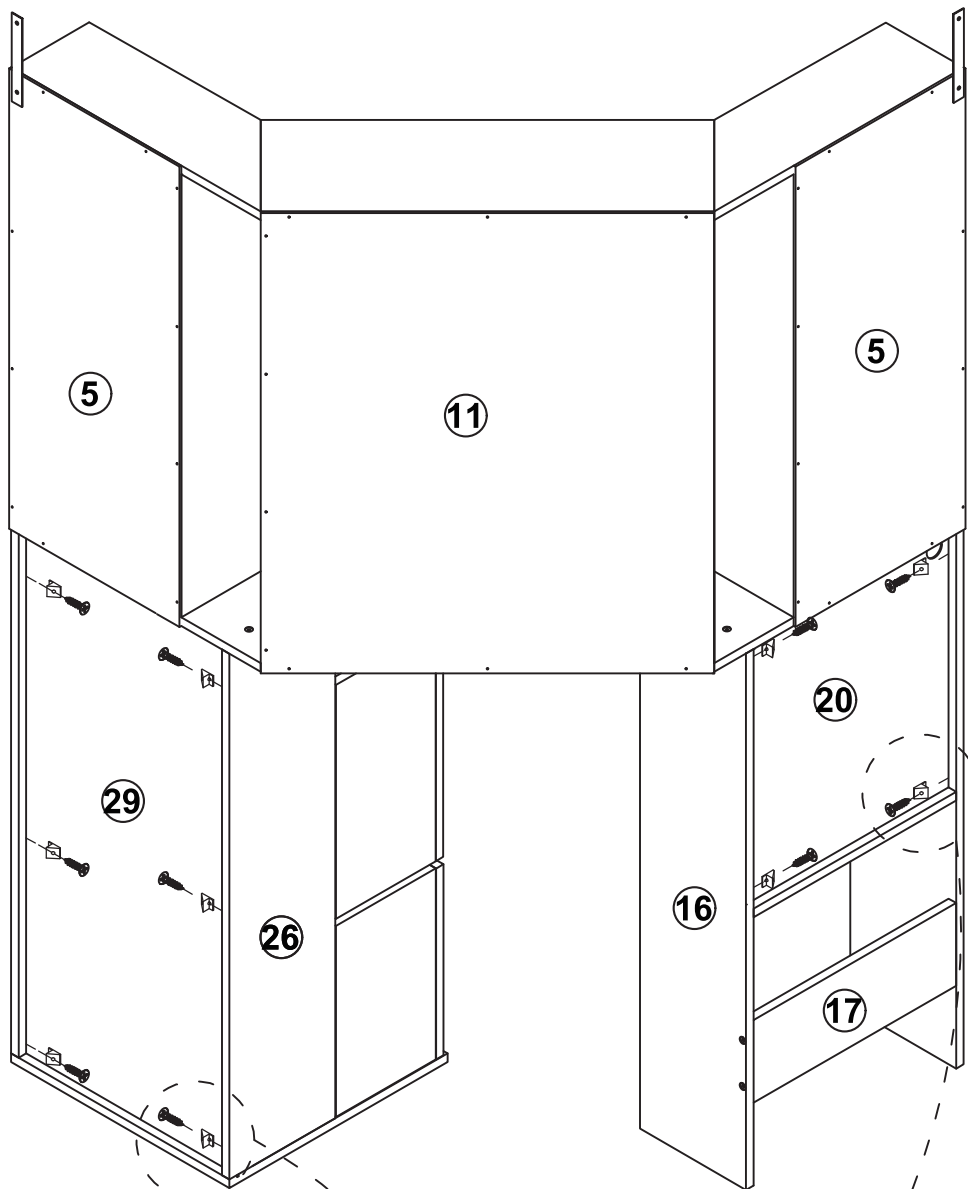
②

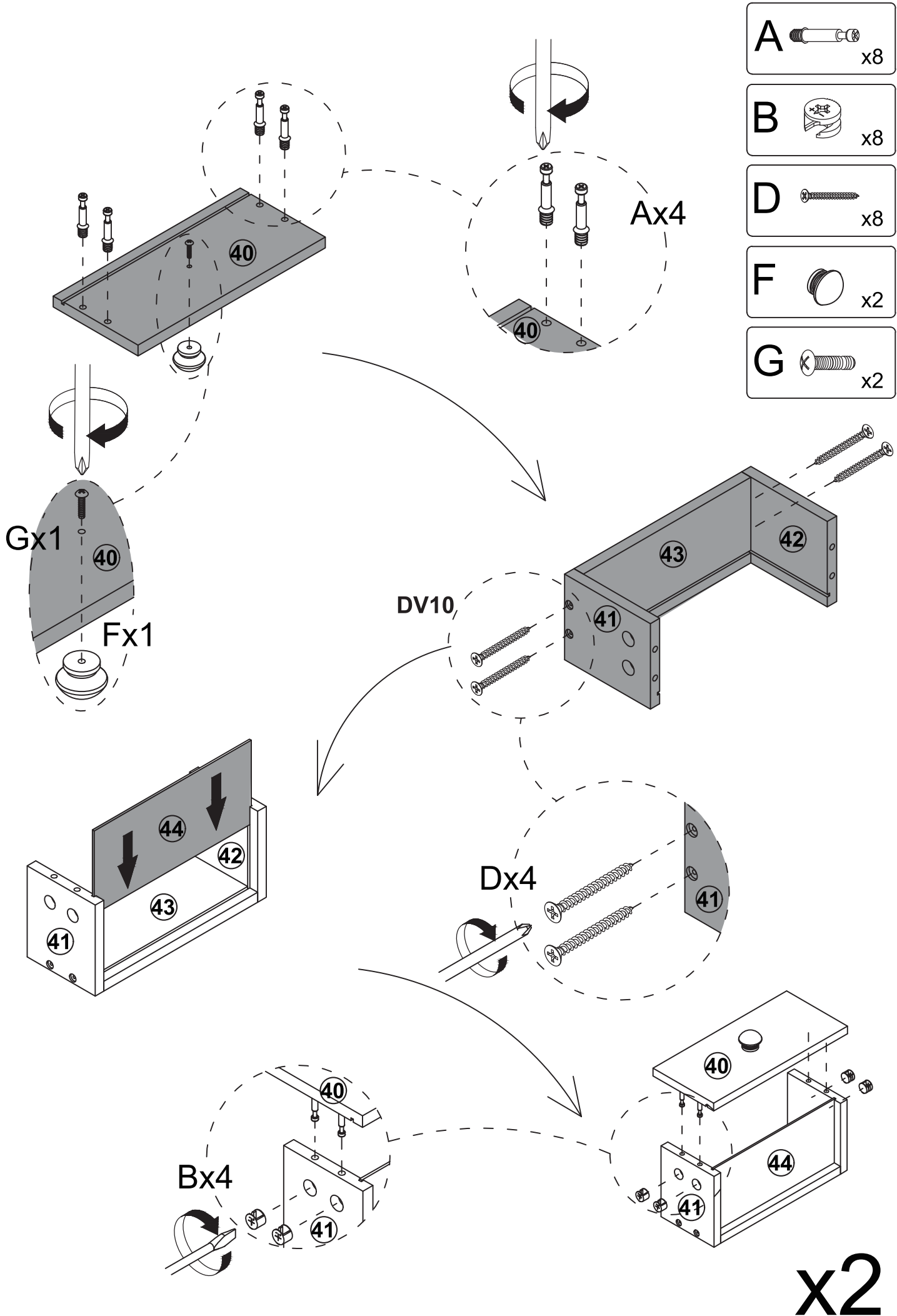


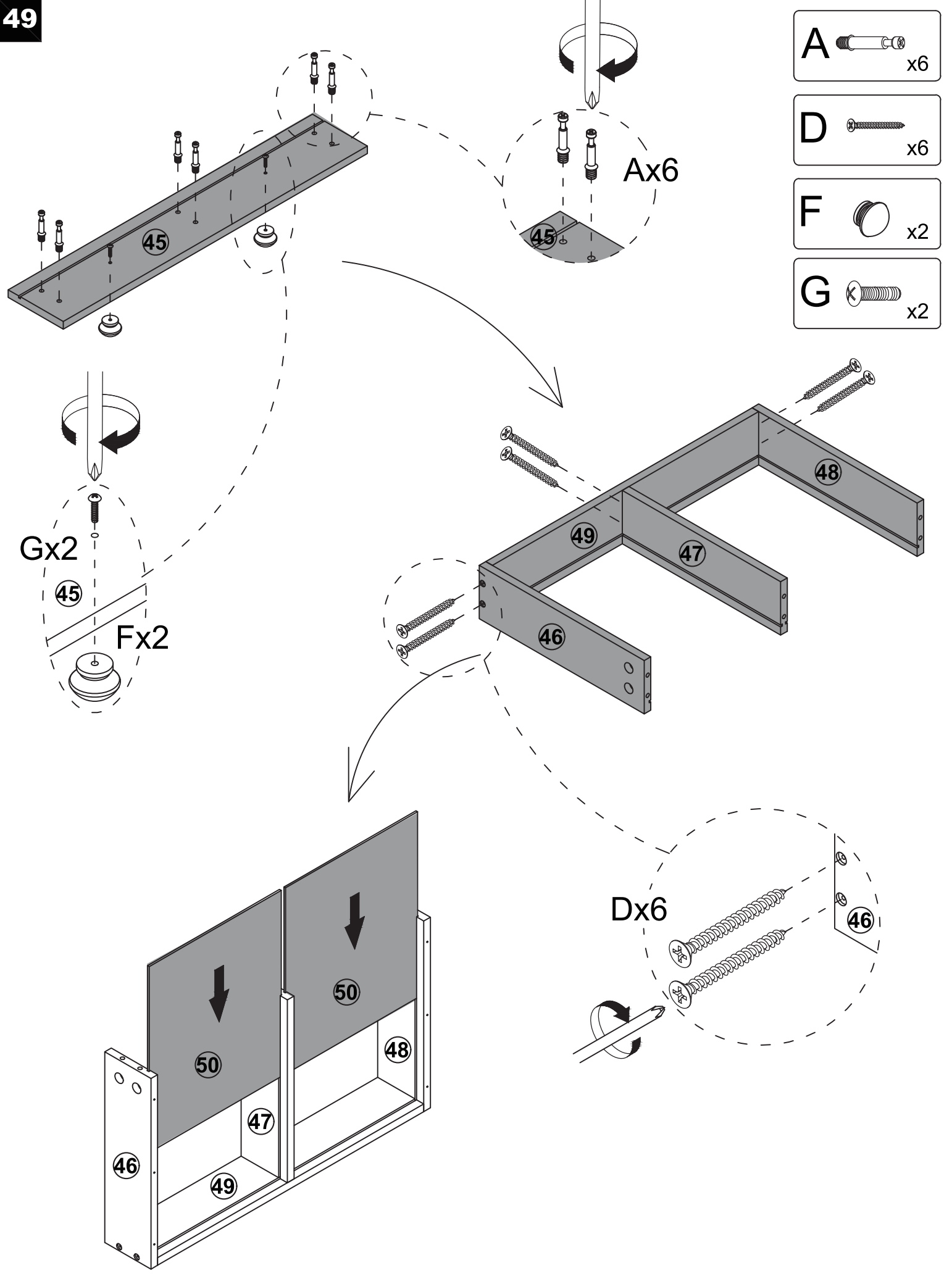








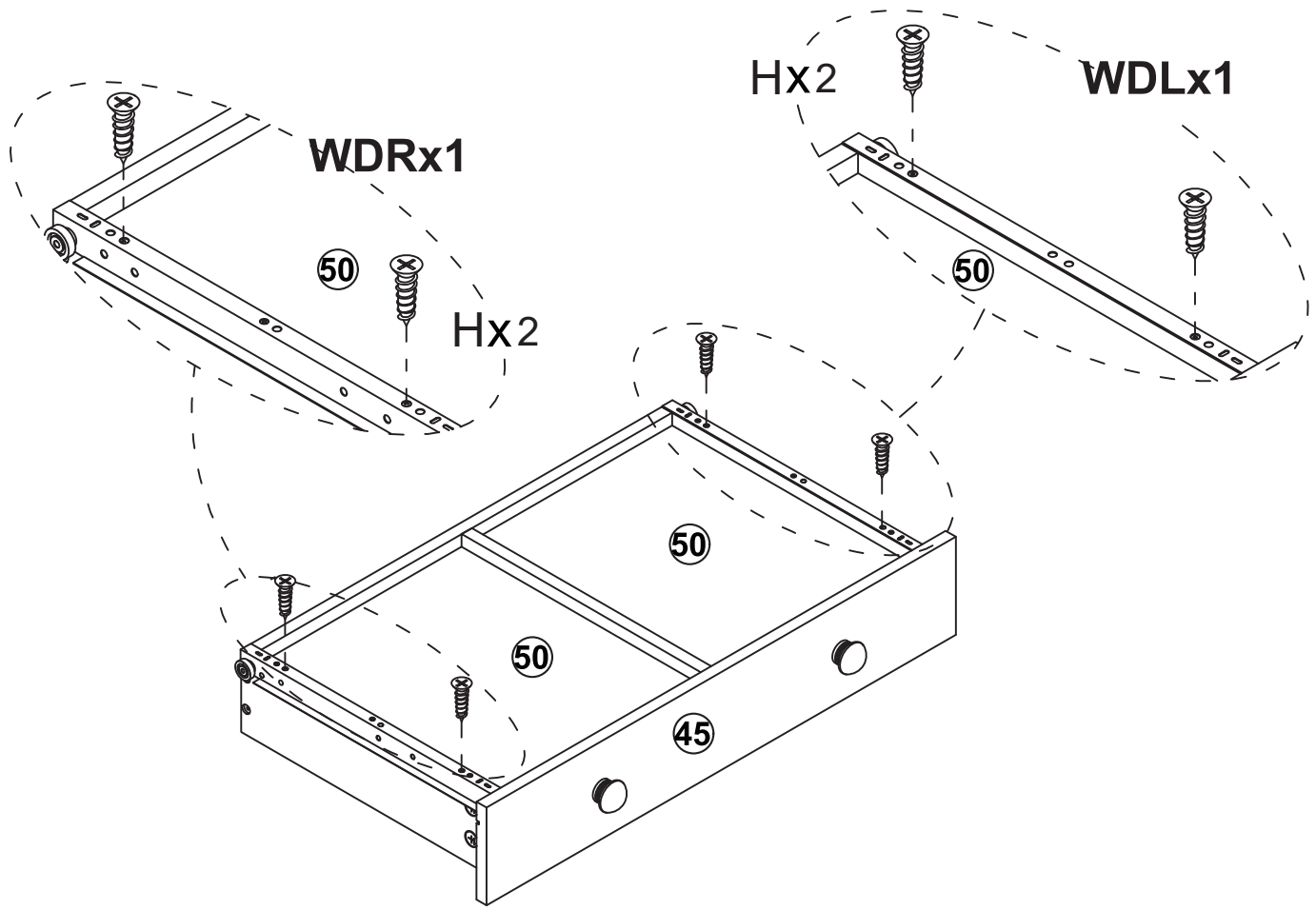
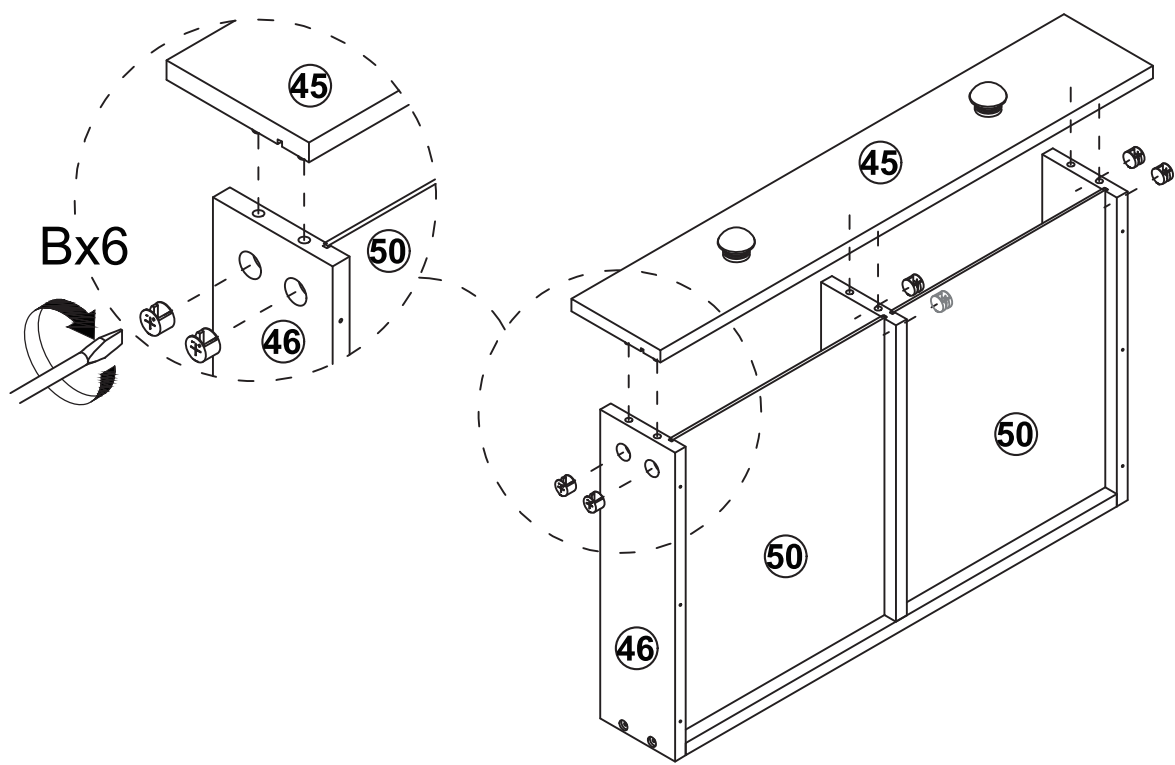
V  V-1
 V-2 x10




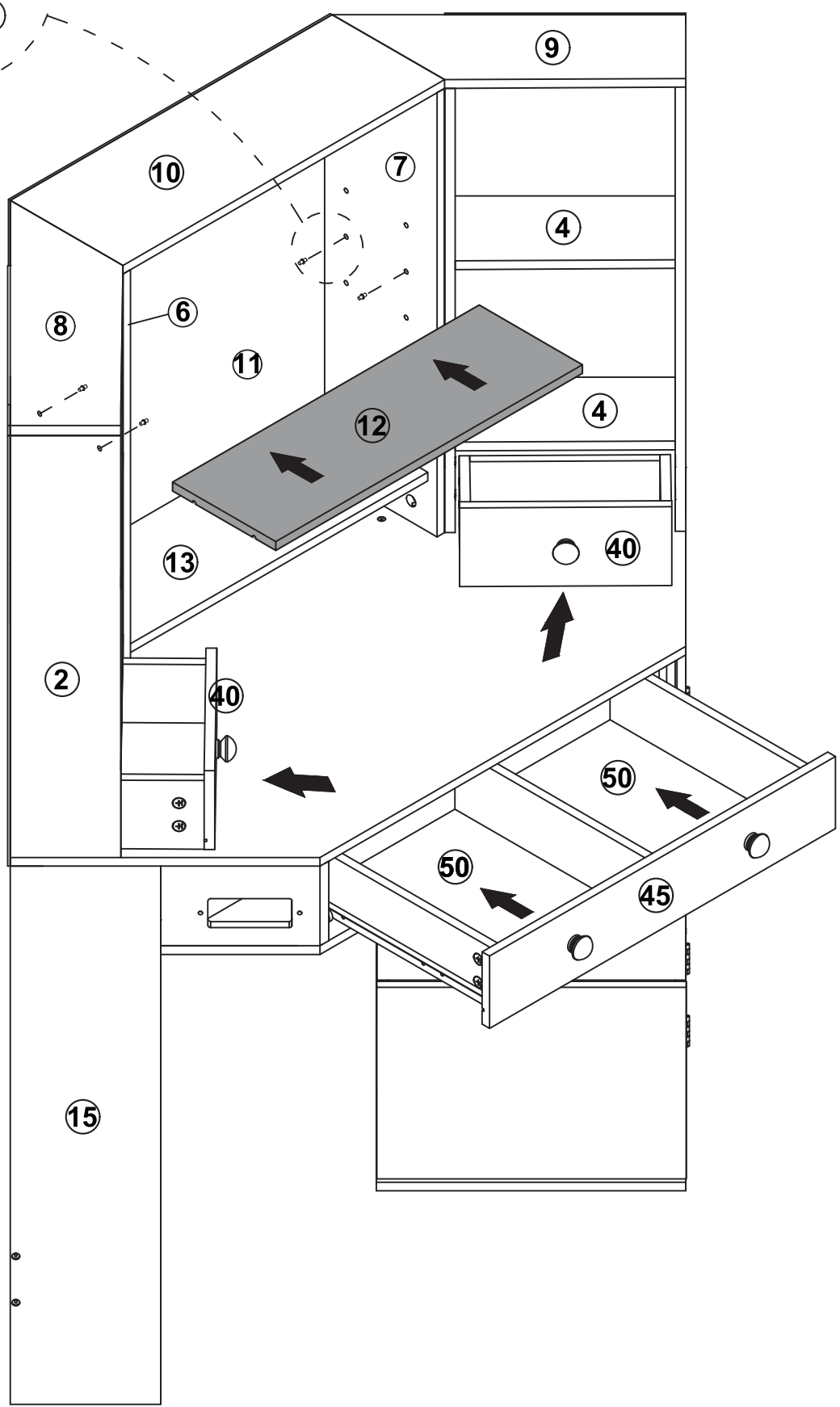
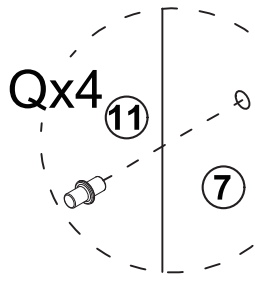






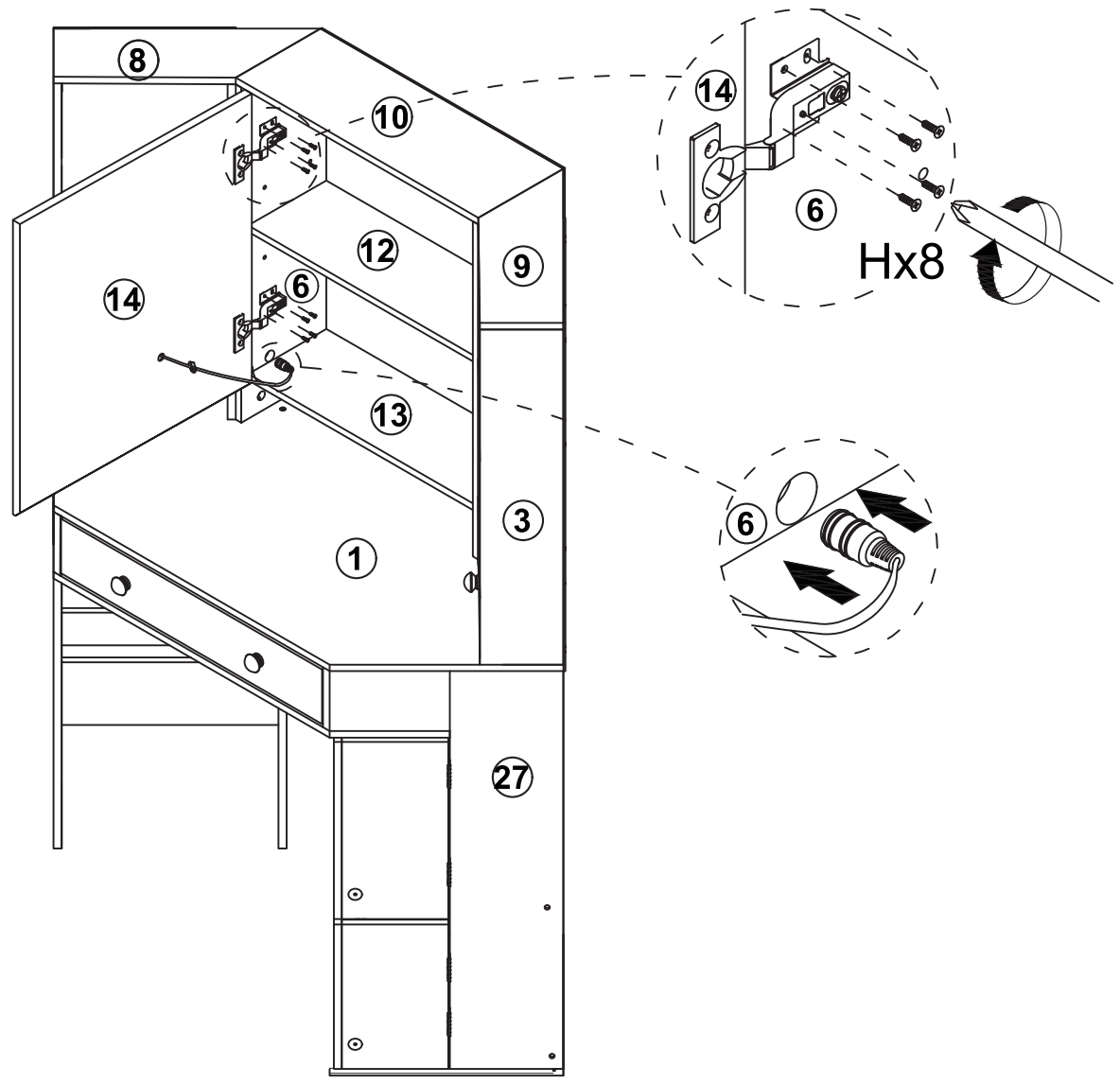
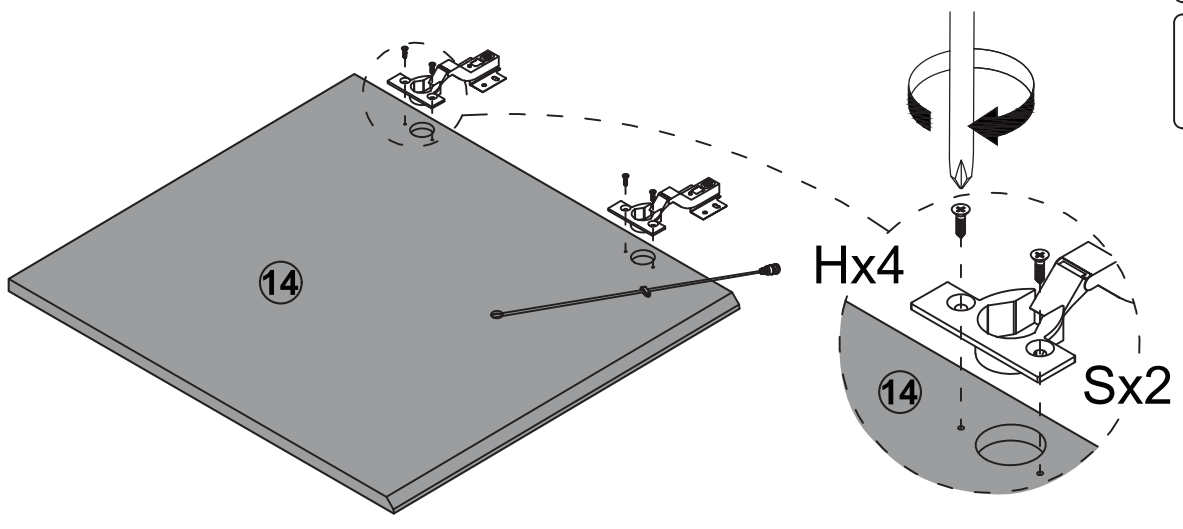
- B**  x6
- H**  x4
- WDL**  x1
- WDR**  x1

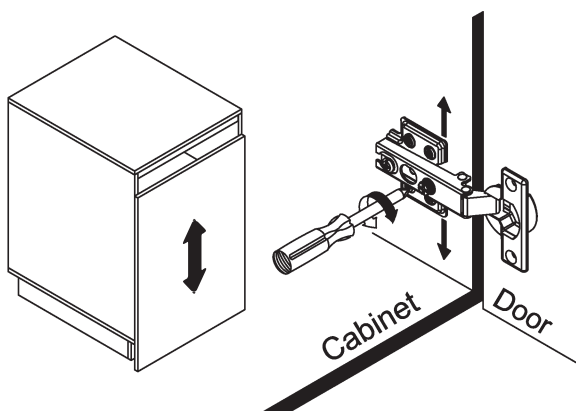
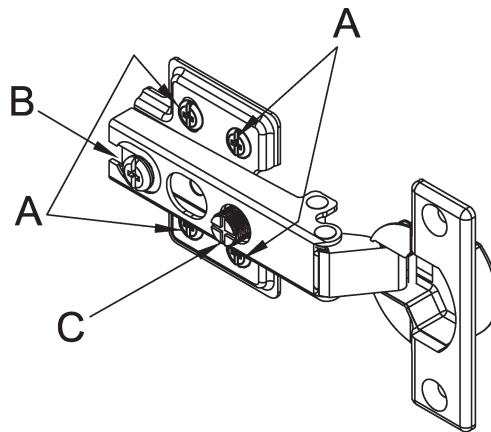


Q  x4



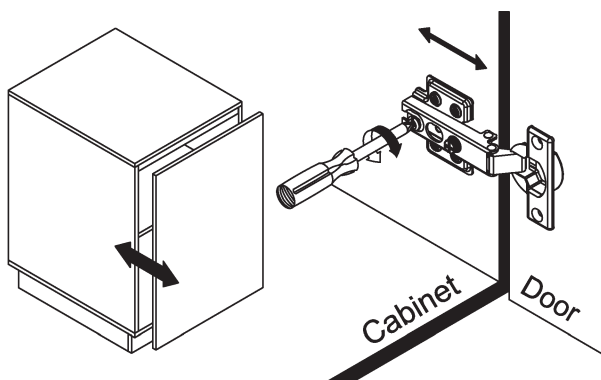
- H  x12
- S  x2





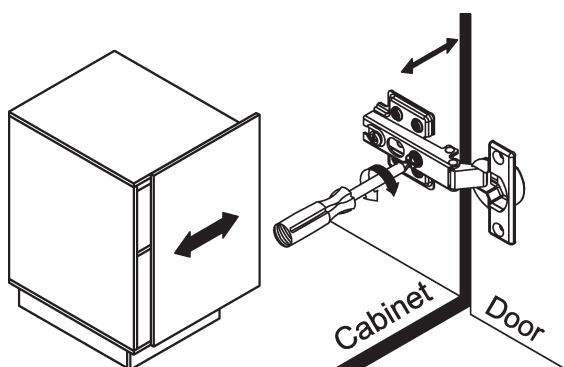
To adjust the vertical height.

Loosen the four screws "A" on both hinges. Two of them are usually in slotted holes which allows you to adjust up or down by a few mm. Then tighten back up.



To adjust depth.

Loosen screw "B" and adjust door, if the door can not be adjusted, please loosen screw "C", then try again. Tighten screw "B" and "C".



To adjust side ways.

Turning the screw "C" on BOTH hinges on each door.

