

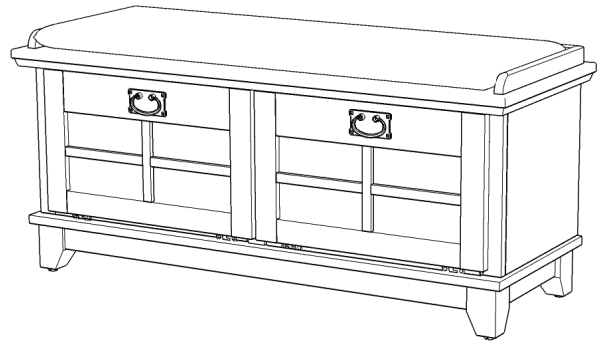
# Upholstered Bench

## IMPORTANT

Carefully remove all the parts from the carton and place them individually on a soft cloth to prevent scratches or other damage.

Carefully and strictly follow these assembly instructions to ensure a completed product as designed.

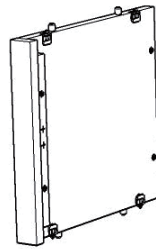
Do not use power tools above 8 volts to assemble.



## Part List



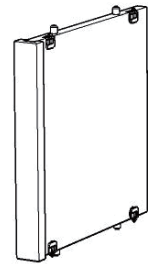
A.  
Cushion  
1 pc.



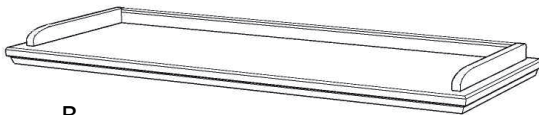
C.  
Side Panel  
1 pc.



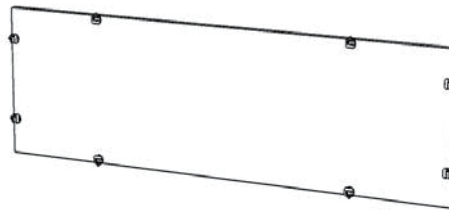
D.  
Side Panel  
1 pc.



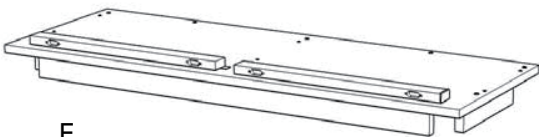
E.  
Middle Panel  
1 pc.



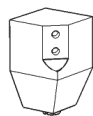
B.  
Top  
1 pc.



G.  
Back Panel  
1 pc.



F.  
Base  
1 pc.



H.  
Foot  
4 pcs.



I.  
Foot  
1 pc.



J.  
Door  
1 pc.



K.  
Door  
1 pc.

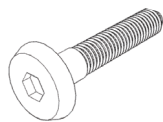
## Hardware List



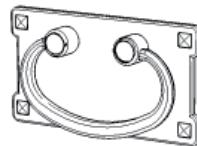
Hex Wrench  
1 pc.



Flat Washer  
8 pcs. (+1 extra)



M6x50  
Head Cap Bolt (long)  
8 pcs. (+1 extra)



Handle  
2 pcs.



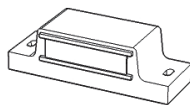
Machine Screw  
4 pcs.



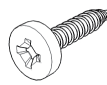
Small Hex Wrench  
1 pc.



Spring Washer  
8 pcs. (+1 extra)



Magnet  
2 pcs.



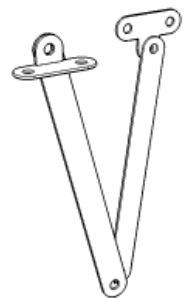
M3x15  
Wood Screw  
4 pcs. (+1 extra)



M3x19  
Wood Screw (long)  
8 pcs. (+1 extra)



M3x12  
Wood Screw (short)  
8 pcs. (+1 extra)



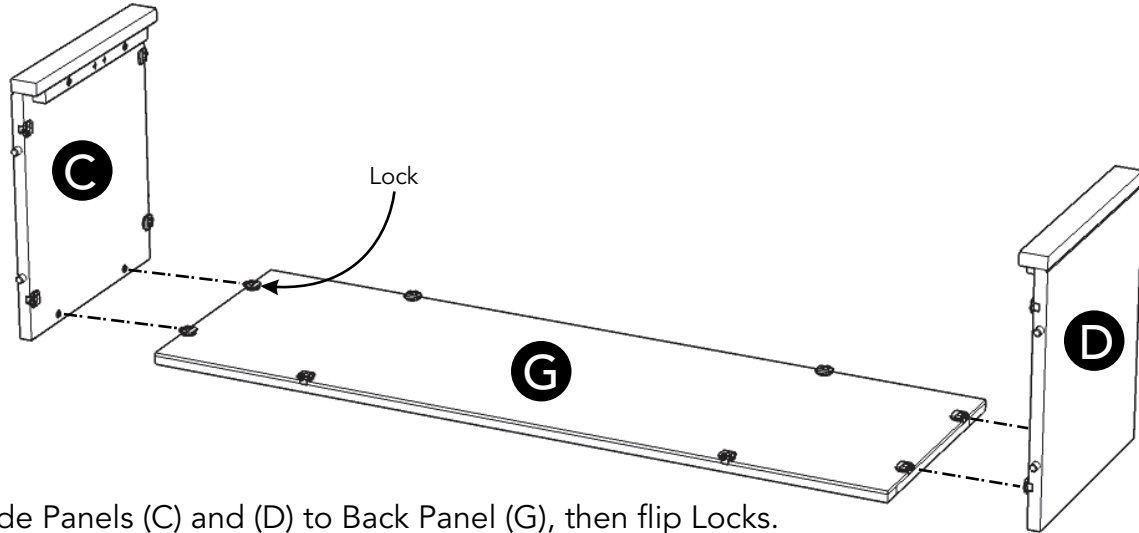
1 Left Hinge  
1 Right Hinge  
2 pcs.

Tool(s) required for assembly: Phillips screwdriver, Level

## Assembly Instructions 2/4

### IMPORTANT

- Use a soft cloth between these parts and the floor.
- Do not use power tools above 8 volts to assemble.
- Do not tighten all the bolts until each part is properly assembled.
- The unit must be level to work properly. Use the included adjustable levelers to level.
- Keep Hex Wrench as the bolts may need to be tightened in the future.



### STEP 1

Attach Side Panels (C) and (D) to Back Panel (G), then flip Locks.  
(See Figures 1 and 2)

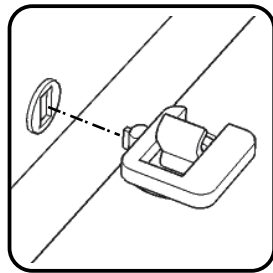


Figure 1

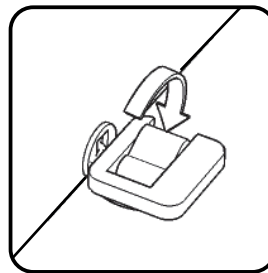
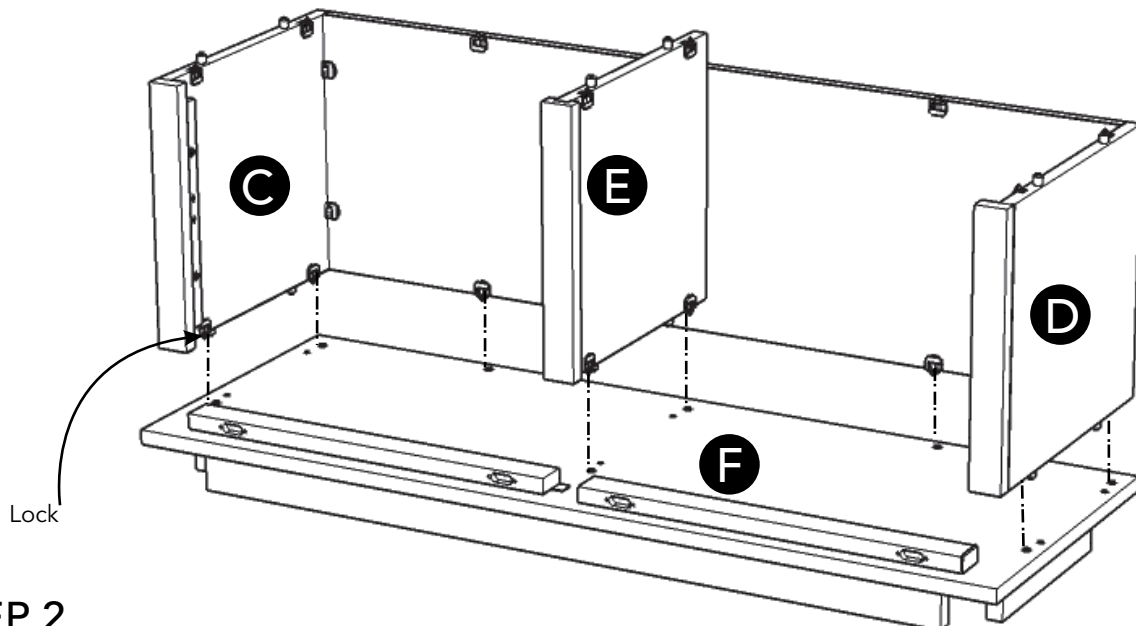


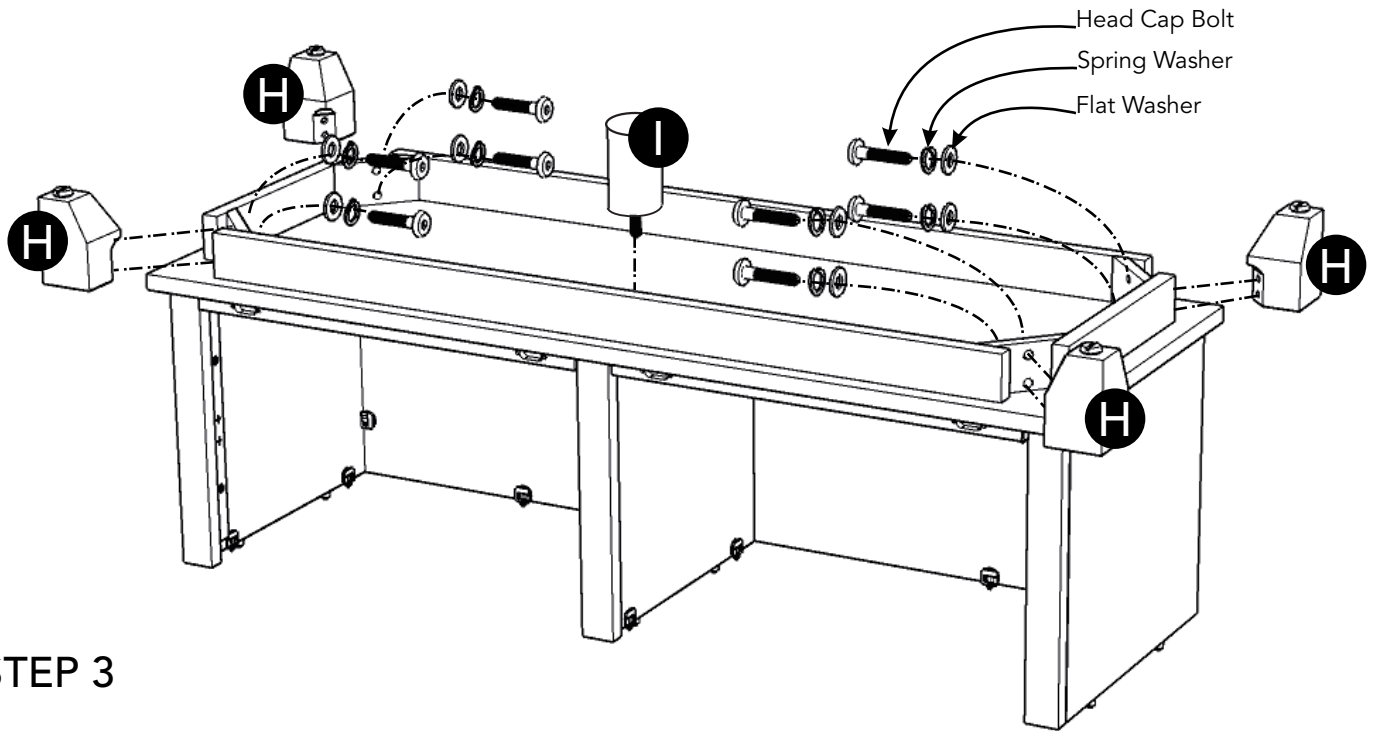
Figure 2



### STEP 2

Attach unit and Middle Panel (E) to Base (F), then flip Locks.

## Assembly Instructions 3/4



### STEP 3

Place unit upside down on a soft cloth.

Attach Feet (H) to unit with Flat Washers, Spring Washers and Head Cap Bolts. (See Figure 3)

Attach Foot (I) to unit. (See Figure 4)

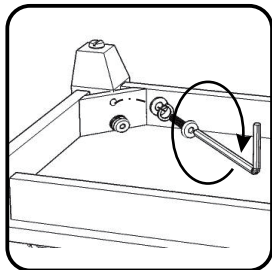


Figure 3

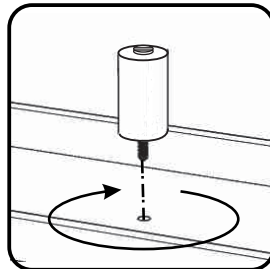


Figure 4

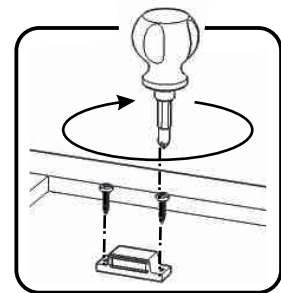
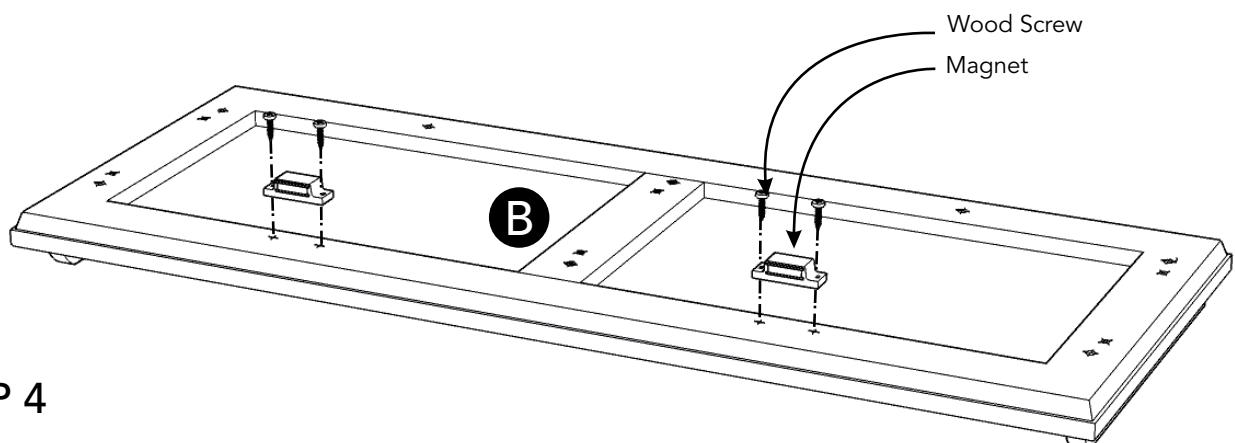


Figure 5



### STEP 4

Place Top (B) upside down on a soft cloth.

Attach Magnets to Top (B) with Wood Screws into pre-drilled holes. (See Figure 5)

## Assembly Instructions 4/4

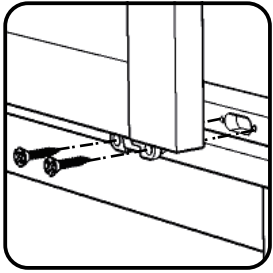
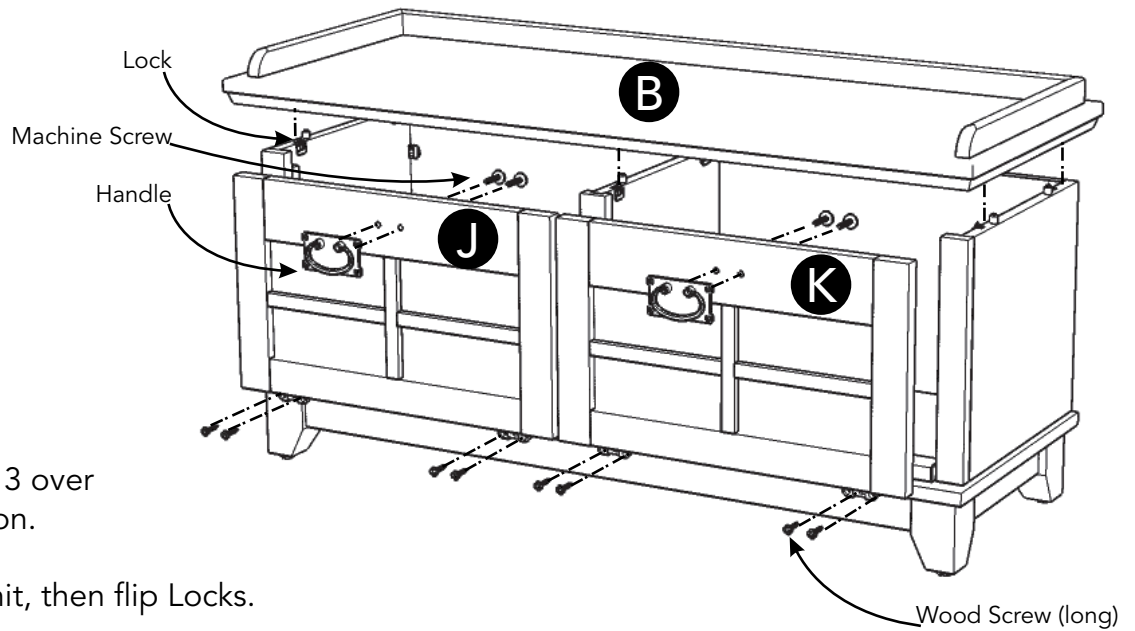


Figure 5



### STEP 5

Turn unit from Step 3 over to its upright position.

Attach Top (B) to unit, then flip Locks.

Attach Handles to Doors (J) and (K) with Machine Screws.

Attach Doors (J) and (K) to unit by inserting door hinges into slots in unit and attach with Wood Screws (long). (See Figure 5)

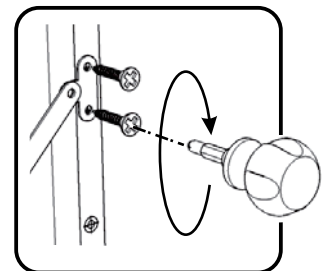
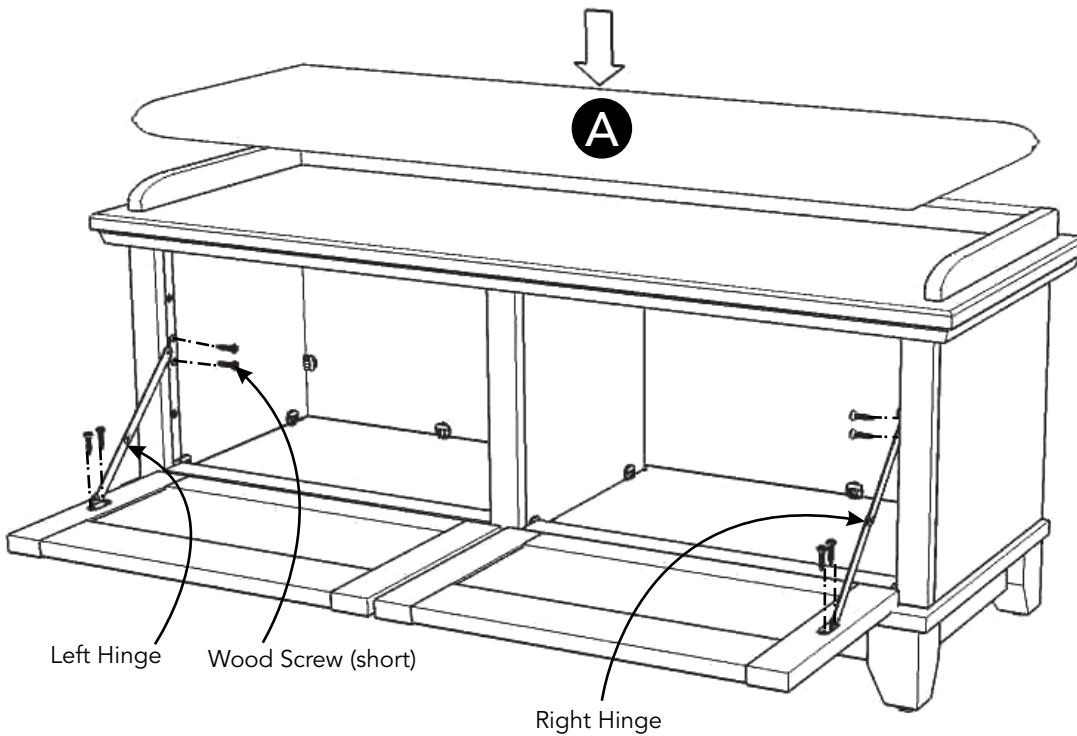


Figure 6

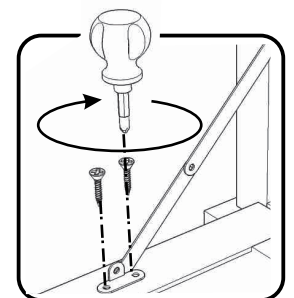


Figure 7

### STEP 6

Attach Left Hinge and Right Hinge to unit with Wood Screws (short) into pre-drilled holes. (See Figures 6 and 7)

Level unit by adjusting the adjustable levelers on bottom of unit. (See Figure 8)

Place Cushion (A) into position.

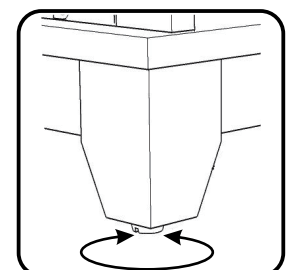


Figure 8

# CARE INSTRUCTIONS

## NEVER

allow liquids to remain on furniture.  
Absorption causes parts to warp  
and split and finishes to delaminate.

## NEVER

use glass cleaners on  
finished furniture. Ammonia  
chemically attacks the finish.



Do not use power tools  
above 8 volts to assemble.  
**PREVENT  
CRACKING**



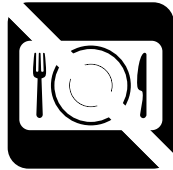
Do not place  
in direct sunlight.  
**PREVENT  
FADING**



Do not write  
directly on surface.  
**PREVENT  
MARKING**



Do not place hot  
objects on surface.  
**PREVENT  
FINISH DAMAGE**



Do not use rubber  
based placemats.  
**PREVENT  
DISCOLORING**



Do not use commercial  
waxes and polishes.  
**PREVENT  
YELLOWING**

## CLEAN

with a soft cloth moistened  
in lukewarm soap and water.  
Buff with a dry clean cloth.

