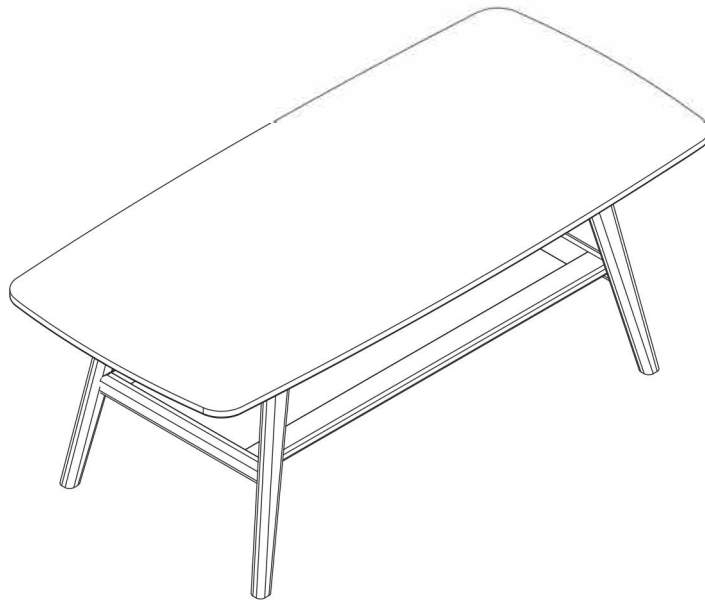
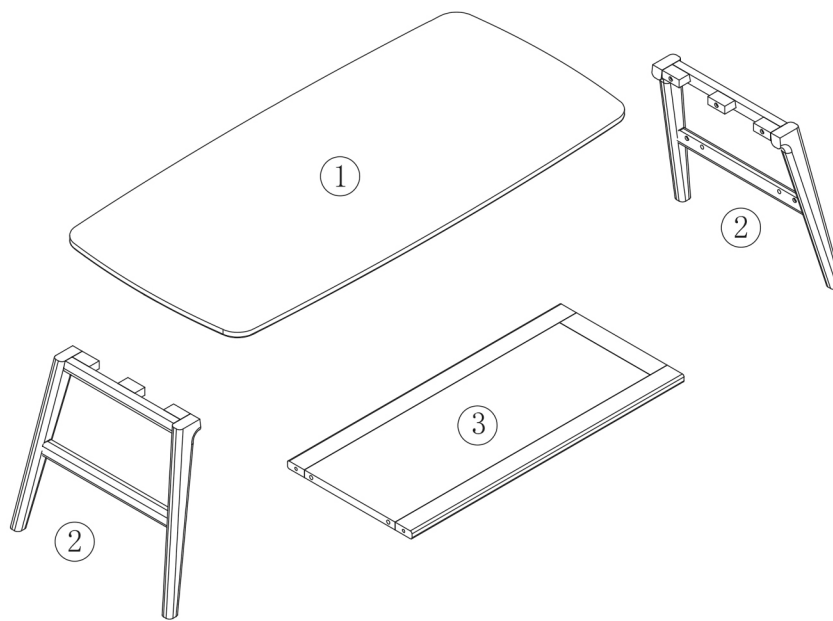








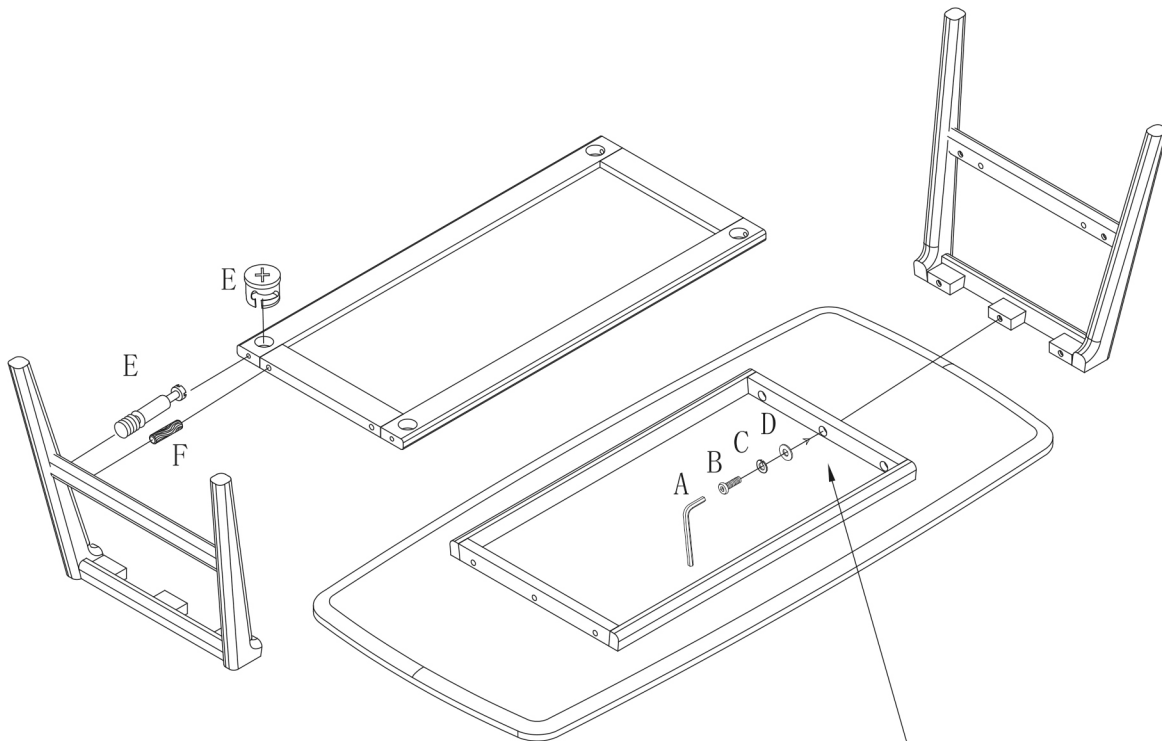
# Assembly Instructions





					
A. Allen key (5#) x 1	B. Screws (M8x35) x 6/4	C. Split washers (ø8) x 6/4	D. Flat washers (ø8) x 6/4	E. Three-in-one connections x 4	F. Wooden dowels (8 x 40) x 4

Step 1: Install the side frames on both sides and the shelf in sequence according to the hole positions, and then the bench top.



Note: The number of screws may vary with the product size. Please install with offered hardware.