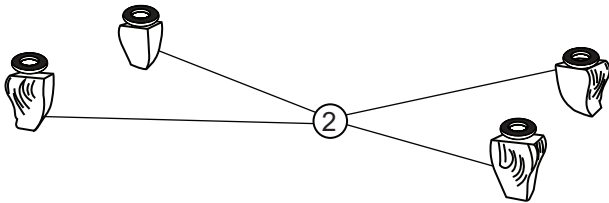
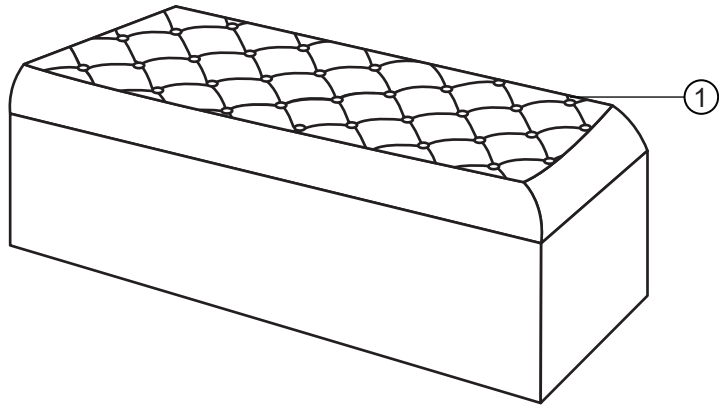


ASSEMBLY INSTRUCTIONS / INSTRUCTIONS POUR L' ASSEMBLAGE



1. Remove hardware from box and sort by size.
2. Please check to see that all hardware and parts are present prior to the start of the assembly.
3. Please follow attached instructions in the same sequence as numbered to assure fast and easy assembly.



PART LIST :

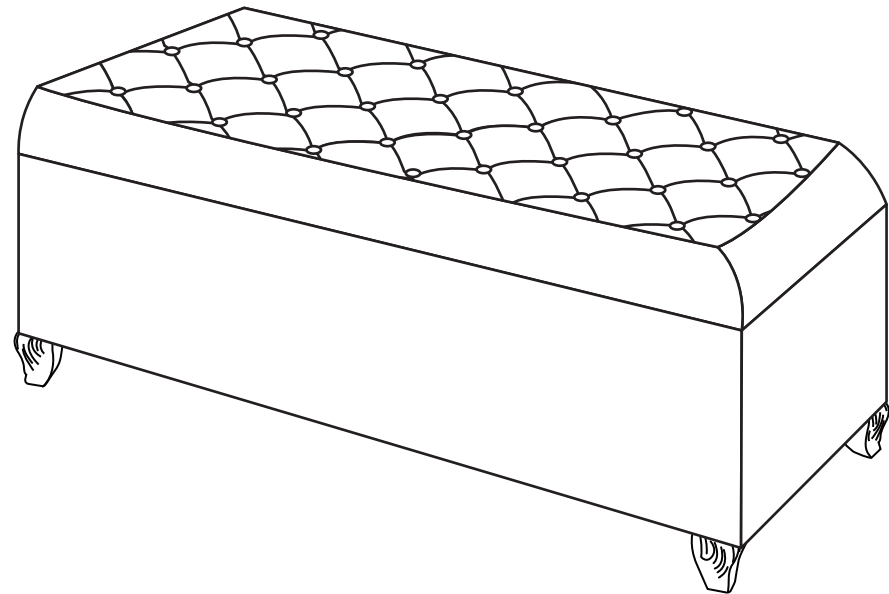
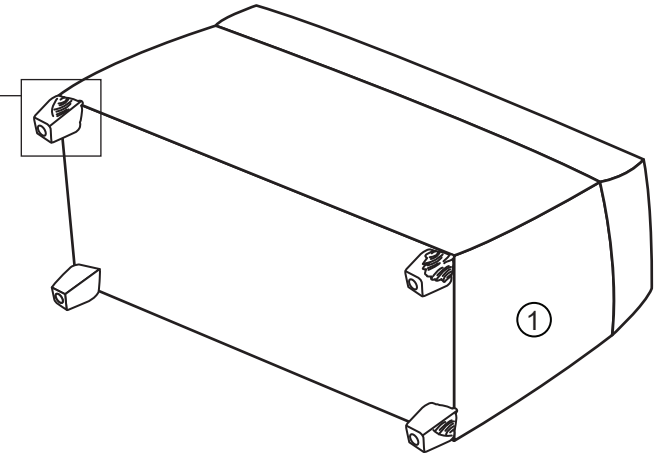
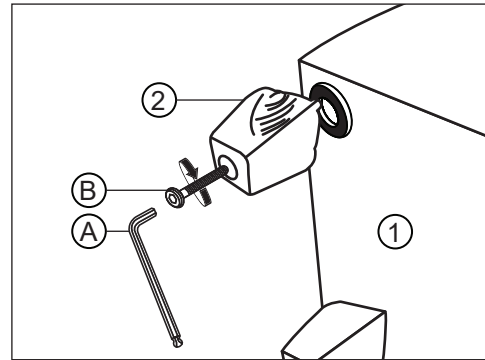
BOX#	PART#	DESCRIPTION	QTY
1	1	Ottoman	1
	2	Leg With Plastic Washer	4

HARDWARE LIST :

NO	DESCRIPTION	QTY
A	Allen Key With Ball 	1
B	JCBB Bolt M8 x 80mm 	4

STEP 1

ASSEMBLE Leg With Plastic Washer (2) to the bottom of Ottoman (1) using JCBC Bolt M6 x 80mm (B) and Allen Key (A).



ASSEMBLY COMPLETE