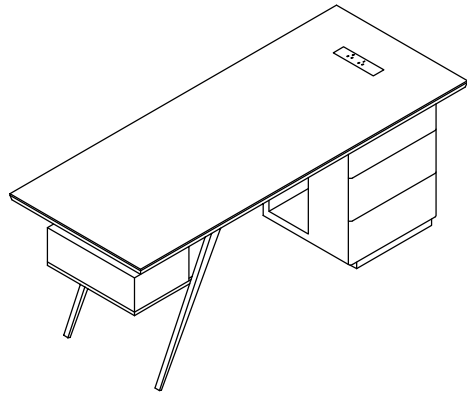
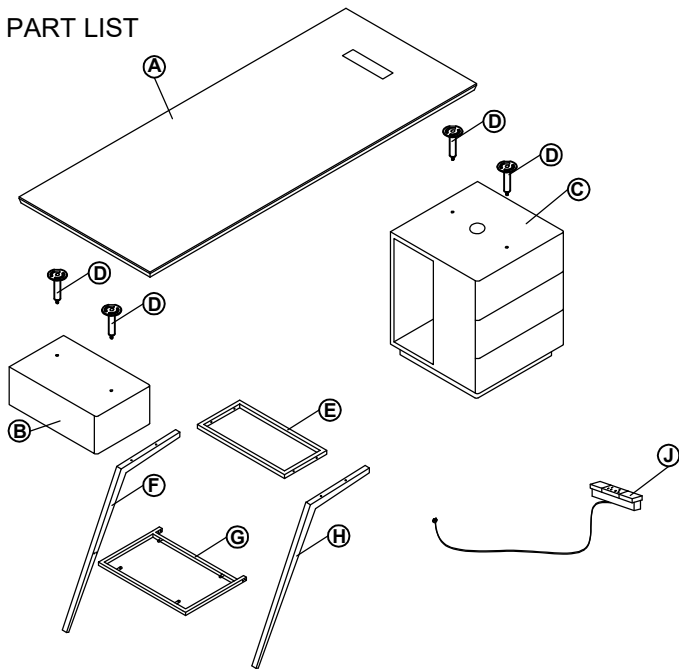


ASSEMBLY INSTRUCTIONS

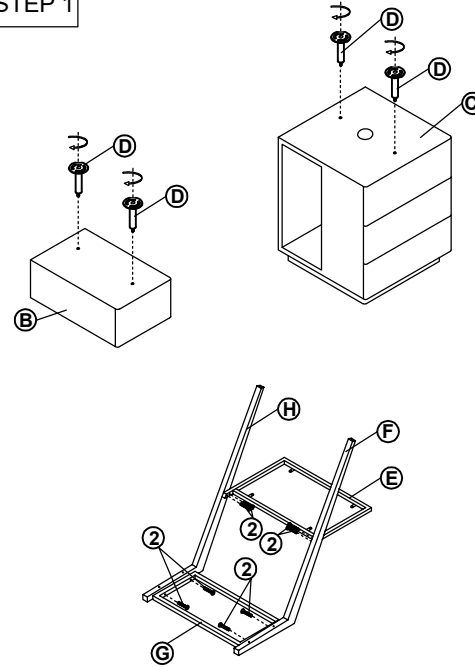


PART LIST

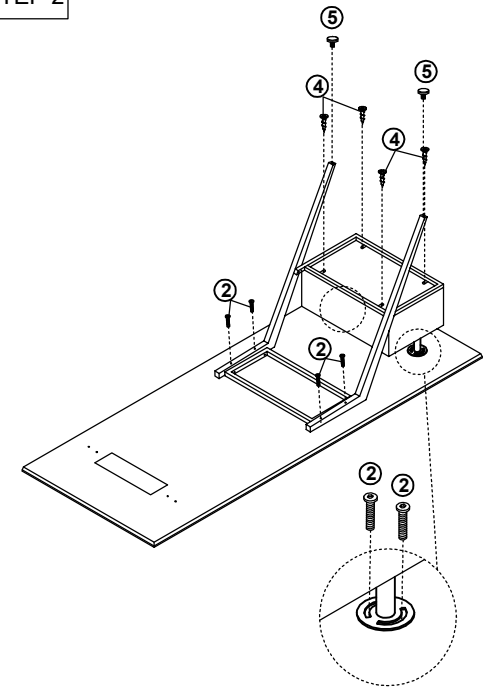


①	x8
②	x12
③	x2
④	x4
⑤	x2
⑥	x1

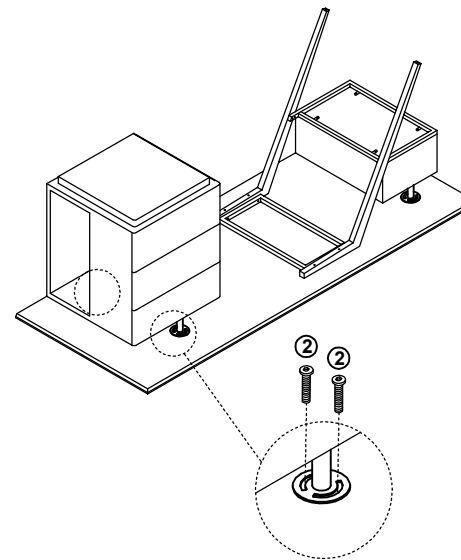
STEP 1



STEP 2



STEP 3



STEP 4

