

ASSEMBLY INSTRUCTIONS

IMPORTANT: READ THESE INSTRUCTIONS CAREFULLY BEFORE ASSEMBLING OR USING THIS PRODUCT.

PLEASE KEEP THESE INSTRUCTIONS FOR FUTURE REFERENCE.

HEALTH & SAFETY:

DO NOT jump on this bed frame.

DO NOT use this bed frame if any parts are missing, damaged or worn.

DO NOT use this bed frame unless all fixings are secured.

Please keep small parts out of reach of children.

Always use on a level, even surface.

WARNING: If this bed is placed on a non-carpeted floor you must place some protection under all legs to stop the bed frame from moving. If this is not adhered to there is no guarantee if the bed frame collapses.

CARE & MAINTENANCE:

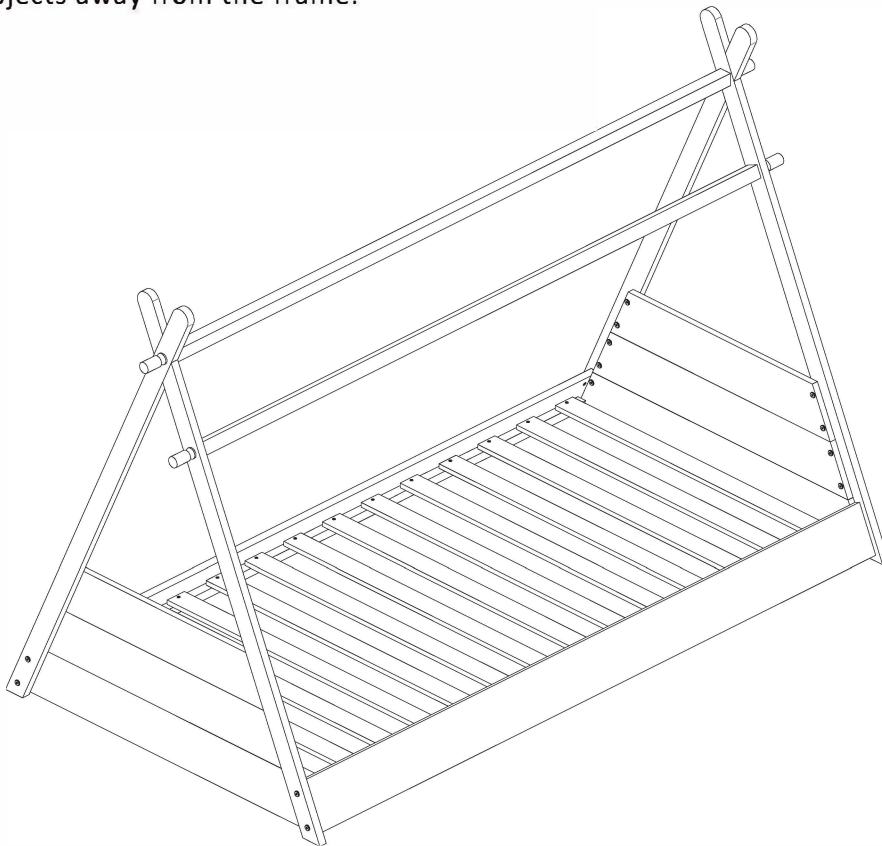
Assemble in the room of use.

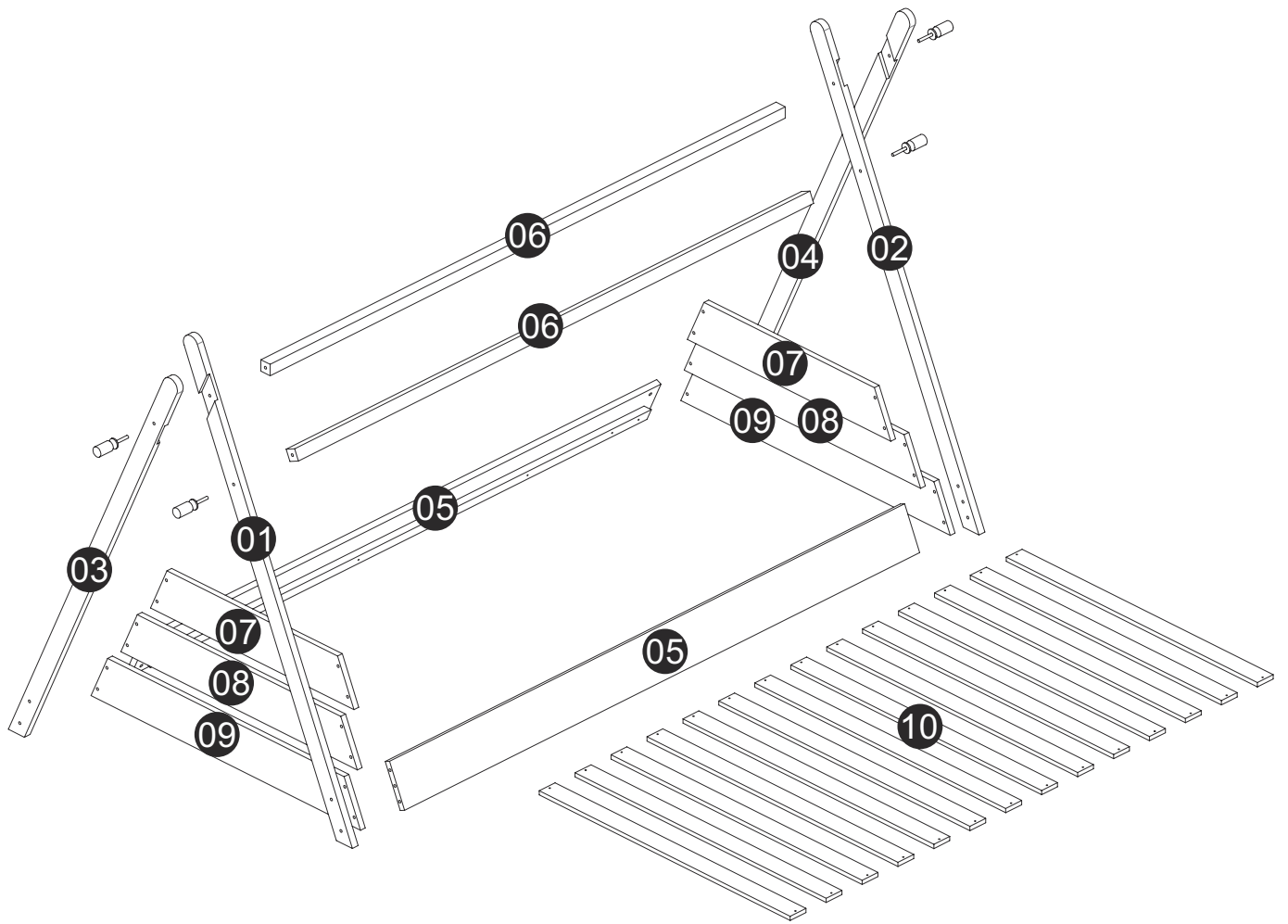
Periodically check all screws & fixings to ensure they are secure.

DO NOT push the bed frame as this will damage the legs.

Always lift the bed with two people to reposition.

Keep any sharp objects away from the frame.












PARTS LIST

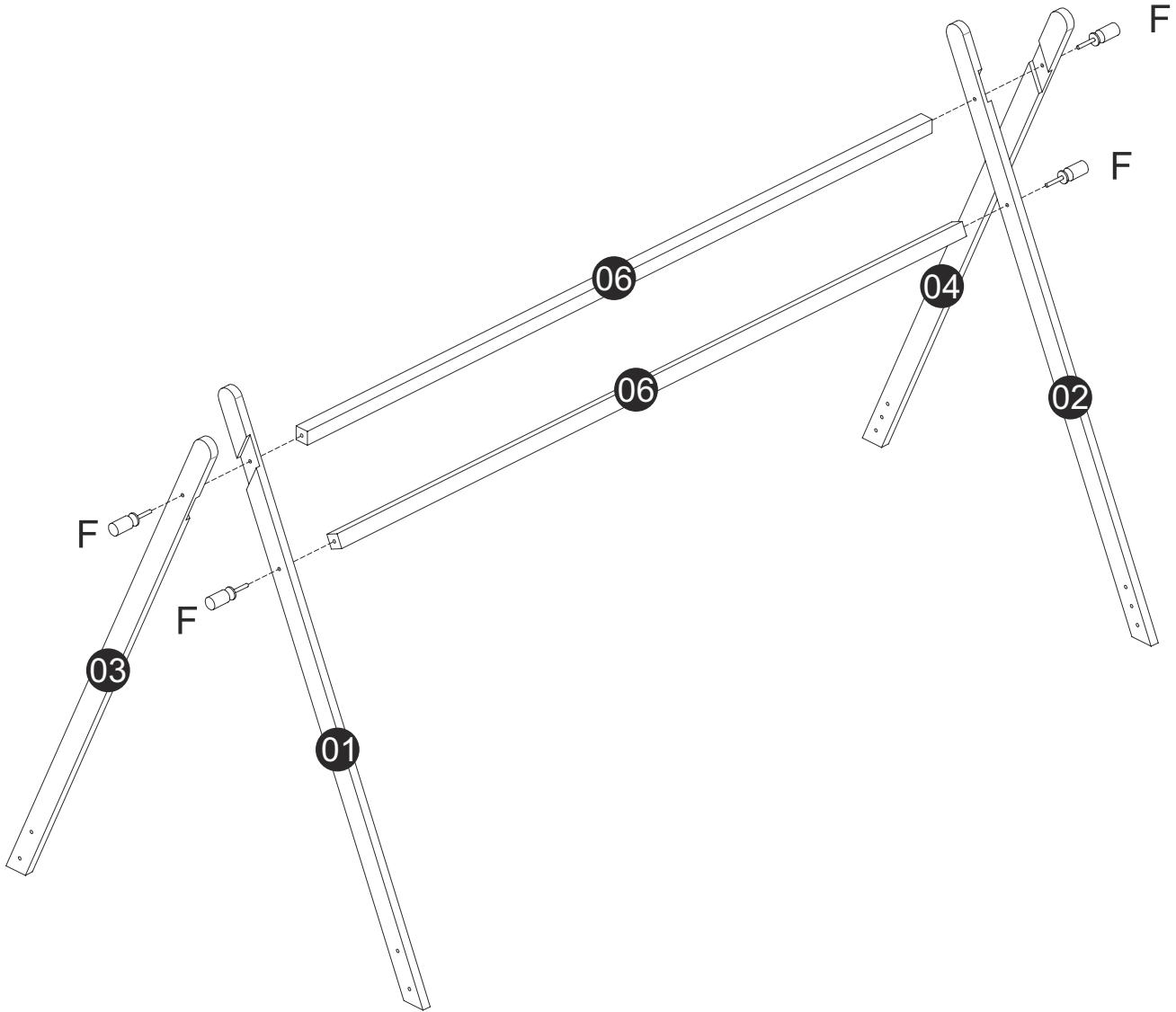
01	Left front corner panel	1	06	Cross bars	2
02	right front corner panel	1	07	Top side panel	2
03	left rear corner panel	1	08	Middle side panel	2
04	right rear corner panel	1	09	Bottom side panel	2
05	Side rail	2	10	Slats	14


HARDWARE

A	 $\Phi 8 \times 30 \text{mm}$	4	E	 $\Phi 4 \times 30 \text{mm}$	28
B	 M6x70mm	8	F		4
C	 M6x30mm	24	G		1
D		8			

STEP 1

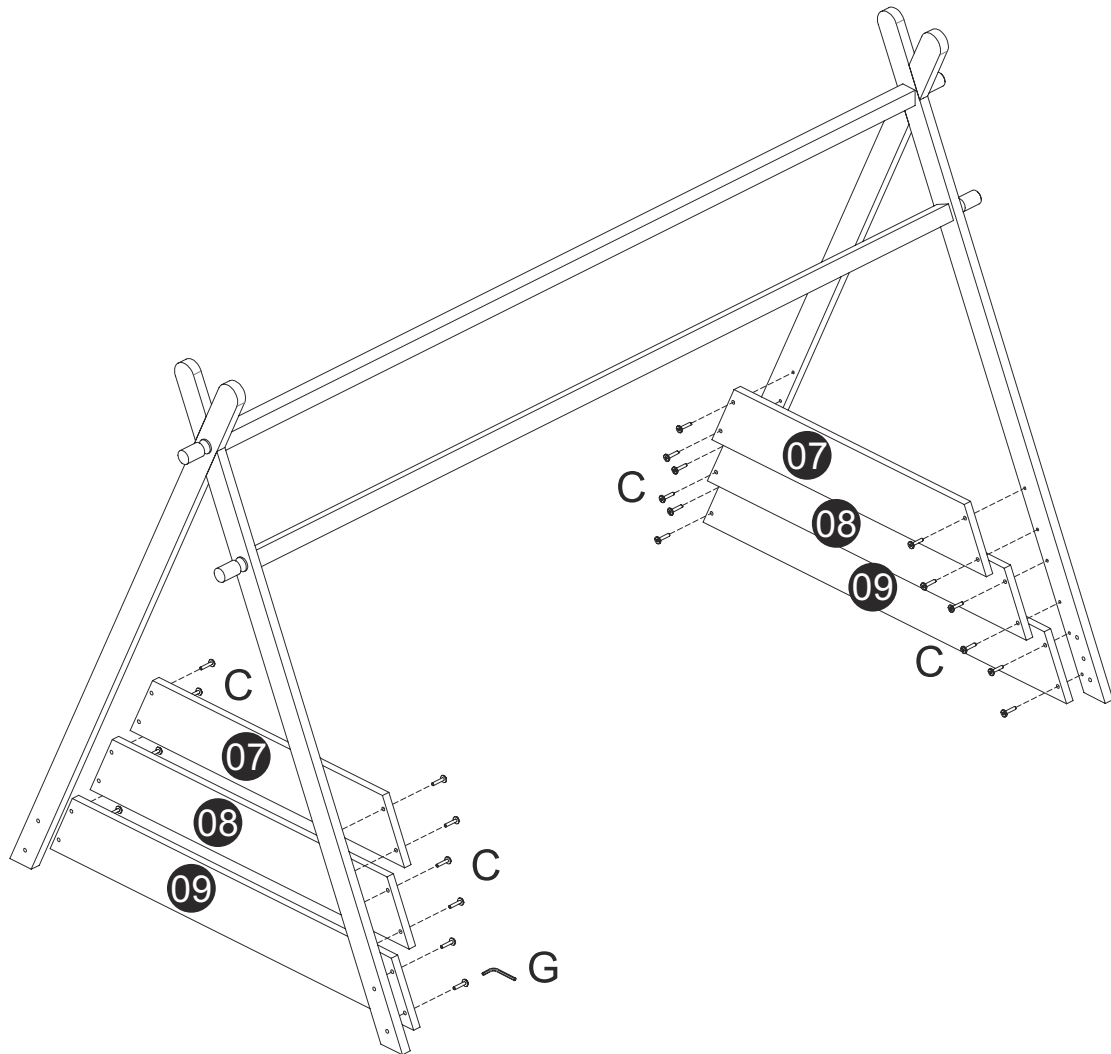
Attach the Left front corner panel (1) and left rear corner panel (3) and the right front corner panel (2) and right rear corner panel (4) to the cross bars (6) using hardware part (F).



F		4
---	---	---

STEP 2

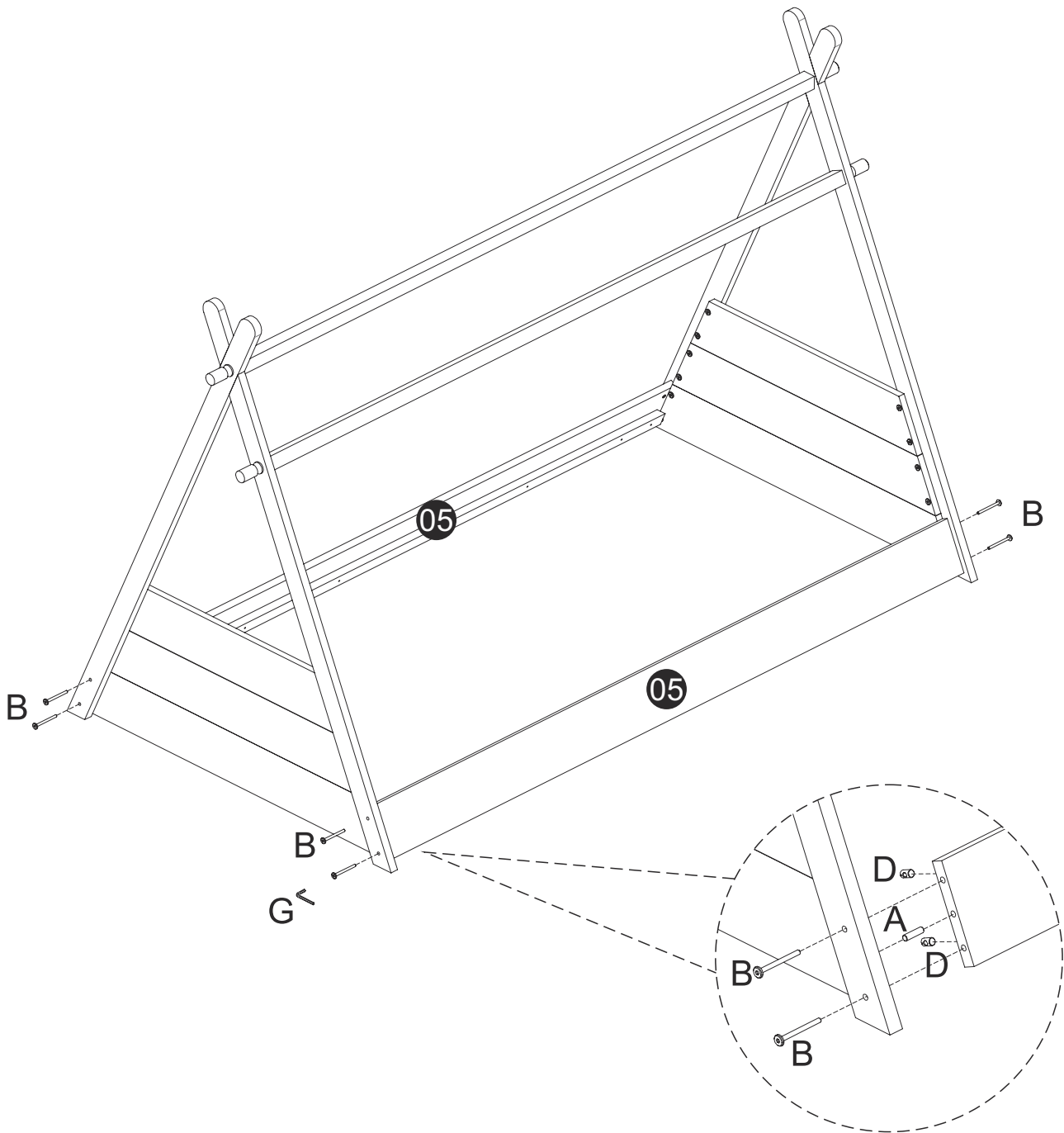
Attach the Top side panel (7), Middle side panel (8) and Bottom side panel (9) to the corner panels (1), (2), (3) and (4) using hardware parts (C) and (G).






C	 M6x30mm	24
---	---	----

STEP 3

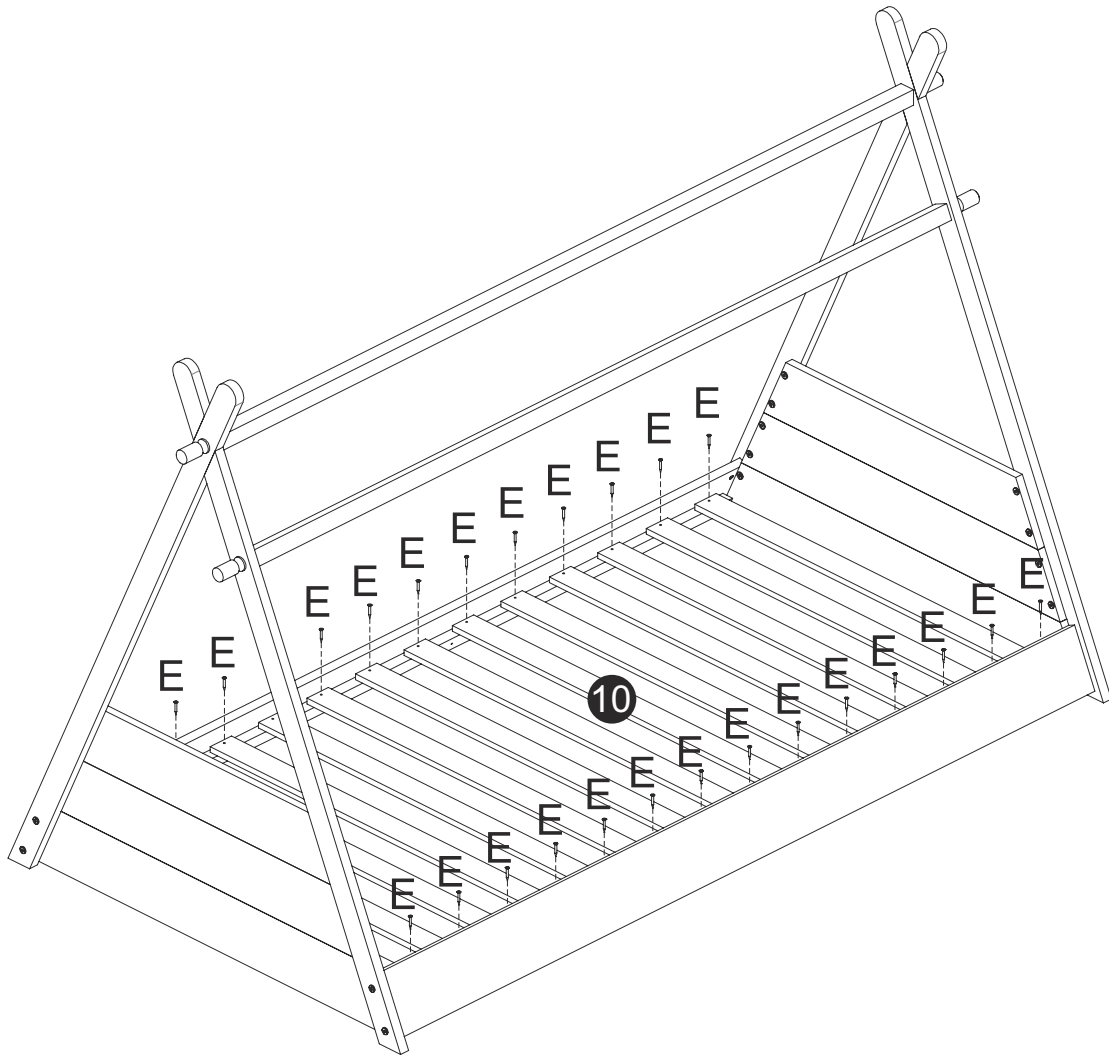
Attach the Side rail (5) to the assembled side panels using hardware parts (A),(B), (D)and (G).



A	 $\Phi 8 \times 30 \text{mm}$	4
B	 M6x70mm	8
D		8

STEP 4

Attach the slats to the side rails using hardware (E) and a screwdriver (not provided).



E		Φ4x30mm	28
---	---	---------	----