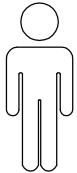
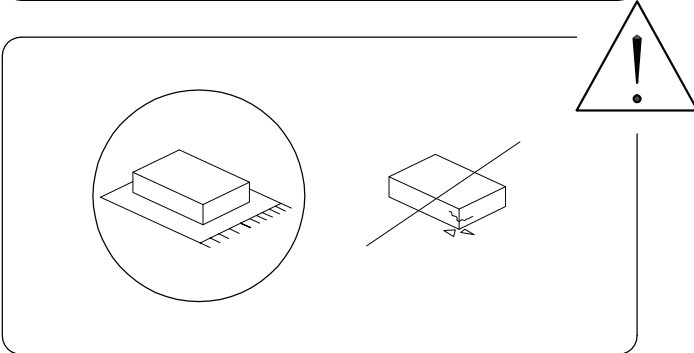
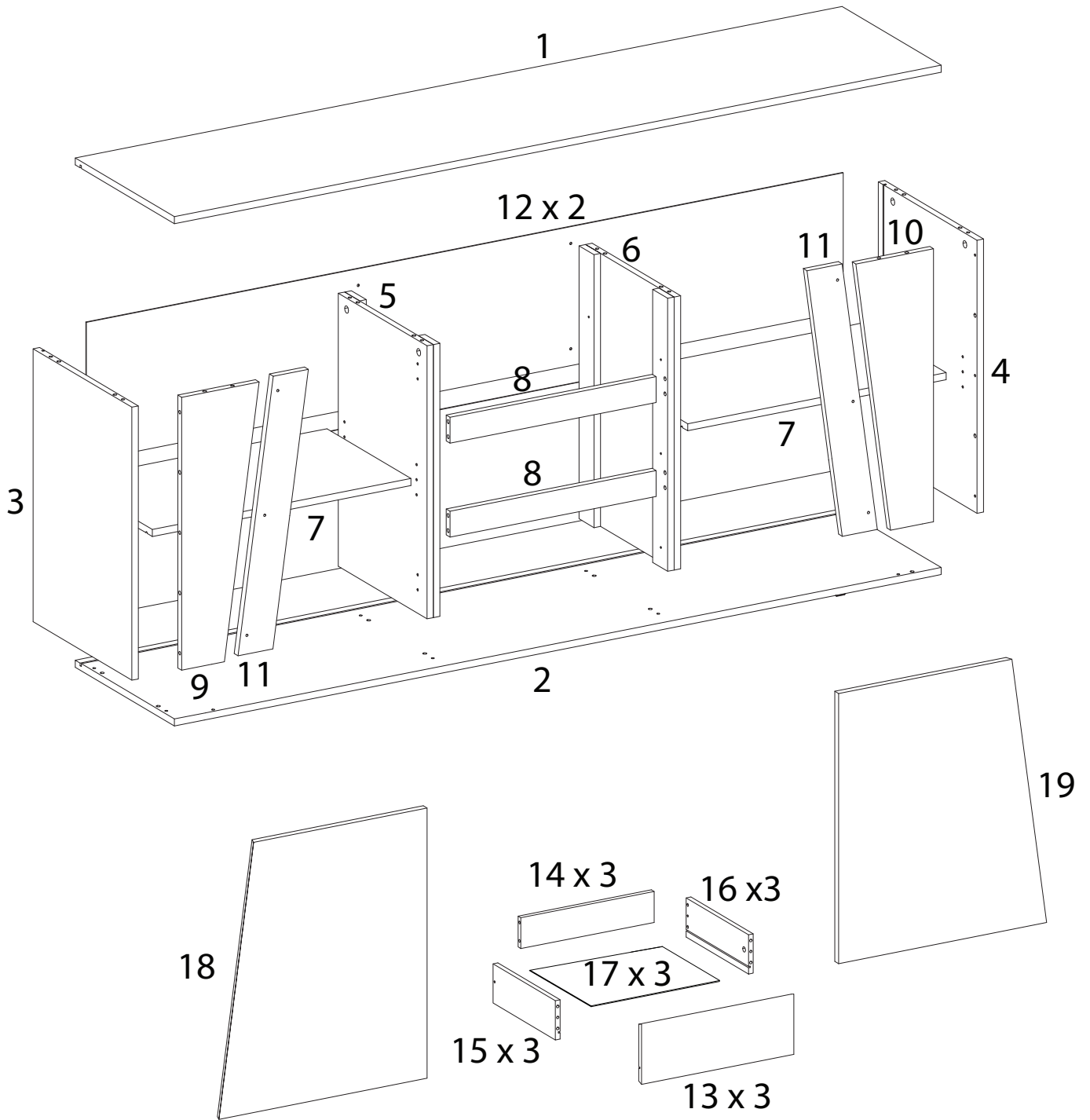


100'



1

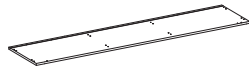


1



x 1

2



x 1

3



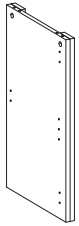
x 1

4



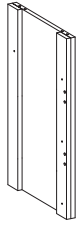
x 1

5



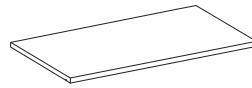
x 1

6



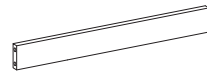
x 1

7



x 2

8



x 2

9



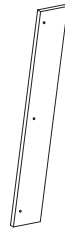
x 1

10



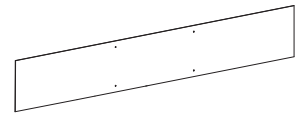
x 1

11



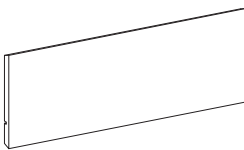
x 2

12



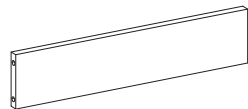
x 2

13



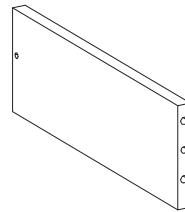
x 3

14



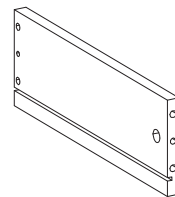
x 3

15



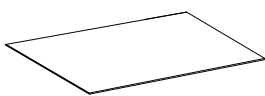
x 3

16



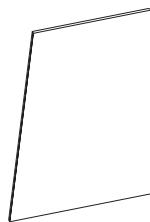
x 3

17



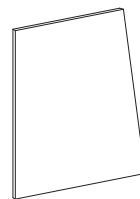
x 3

18



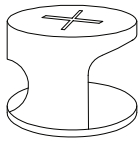
x 1

19



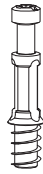
x 1

A



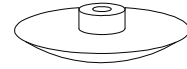
x 22

B



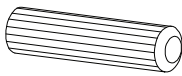
x 22

C



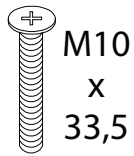
x 22

D



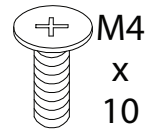
x 56

E



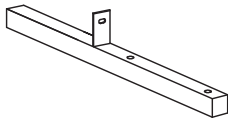
x 16

F



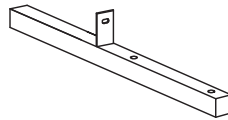
x 26

G1



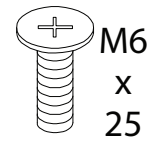
x 1

G2



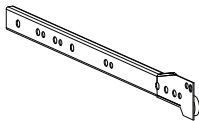
x 1

H



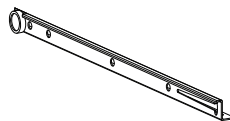
x 4

I1



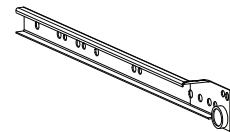
x 3

I2



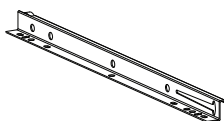
x 3

I3



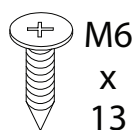
x 3

I4



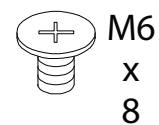
x 3

J



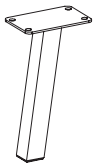
x 12

K



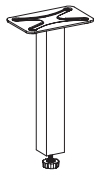
x 12

L



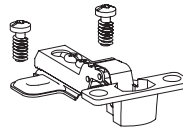
x 2

M



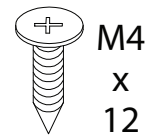
x 2

N



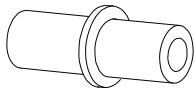
x 4

O



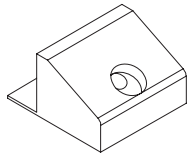
x 6

P



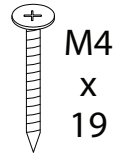
x 8

Q



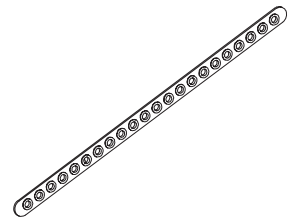
x 18

R



x 18

S



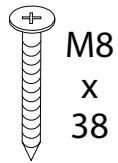
x 2

T



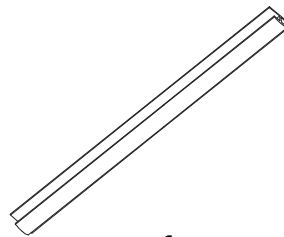
x 2

U



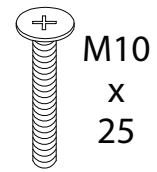
x 2

V



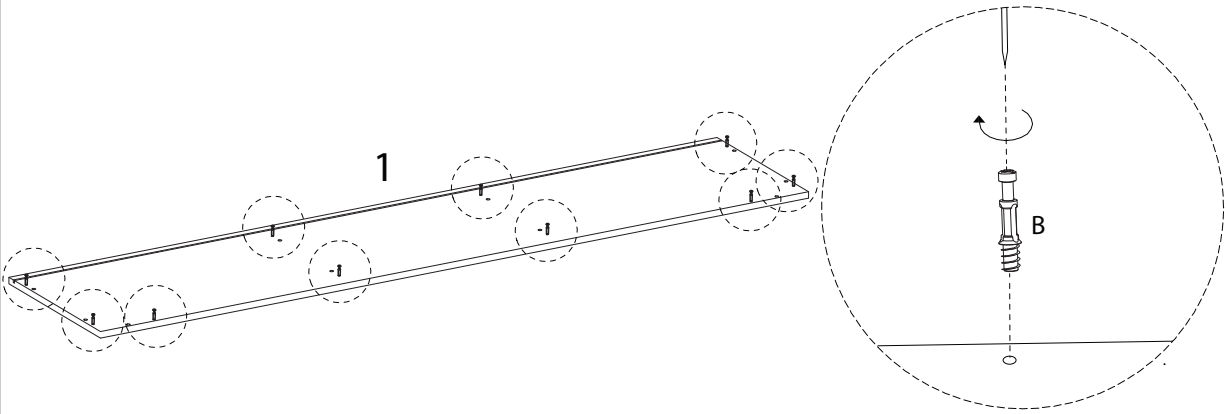
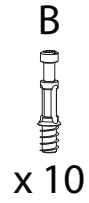
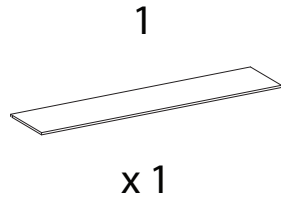
x 1

W

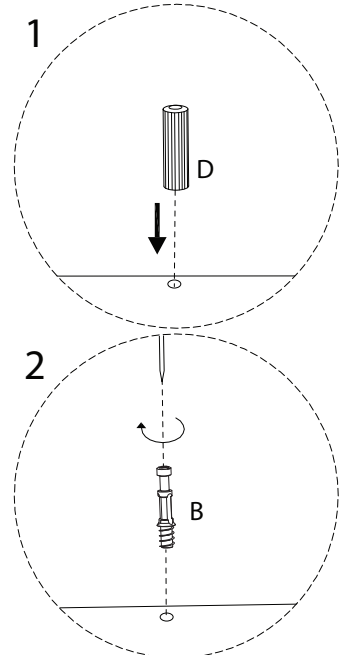
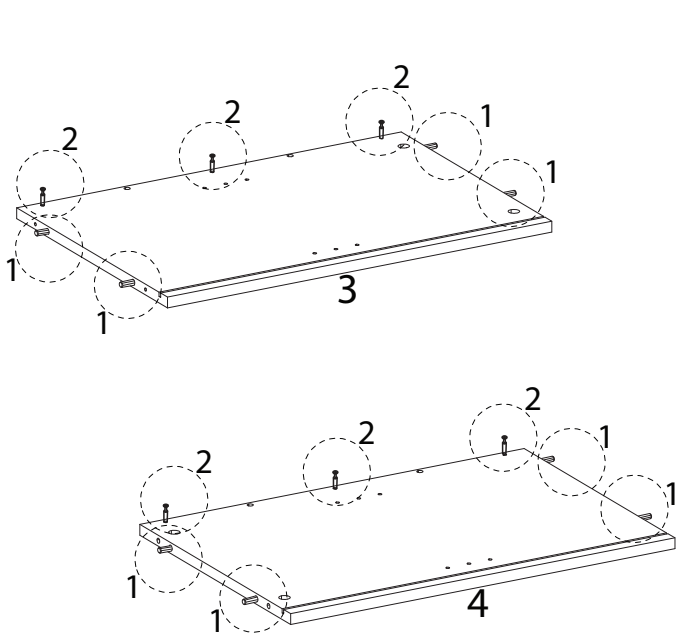
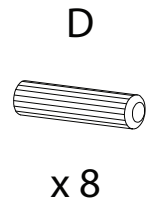
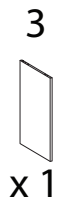


x 6

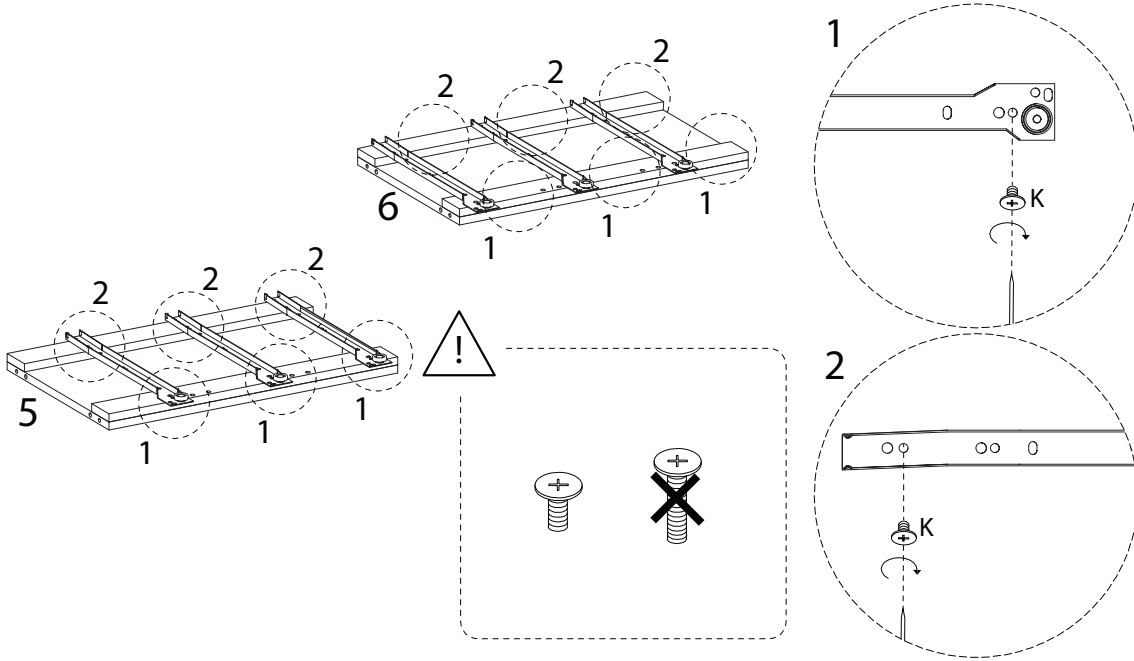
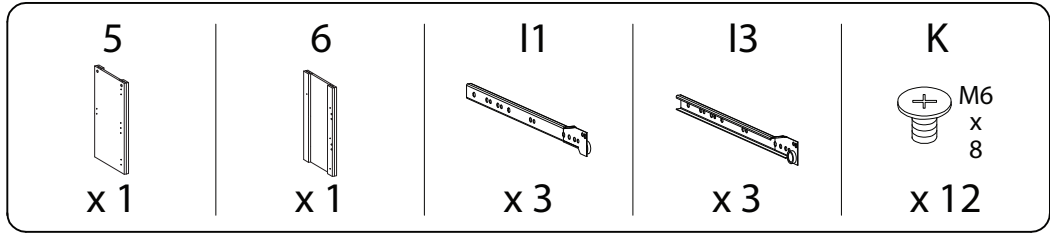
1



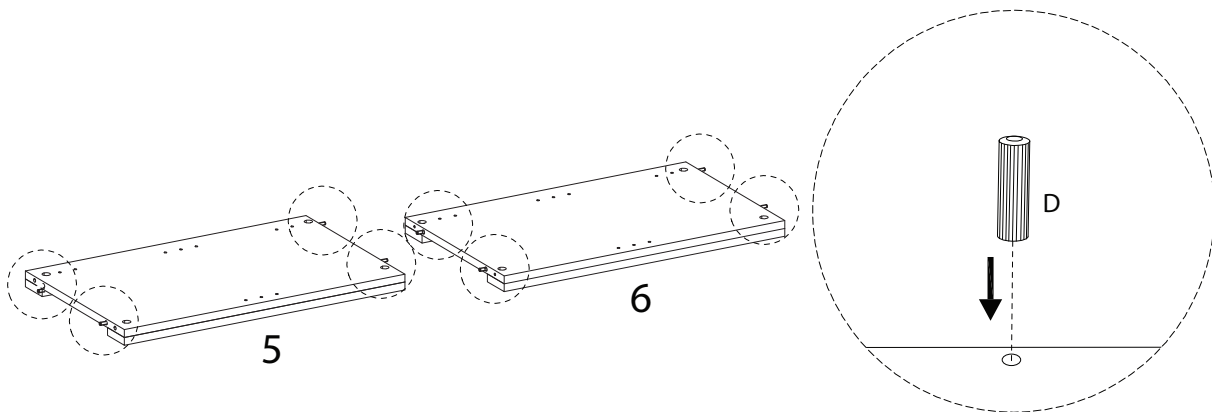
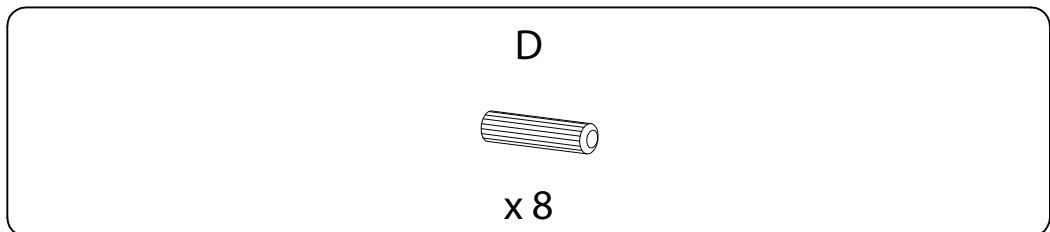
2



3



4



5 x 2

8

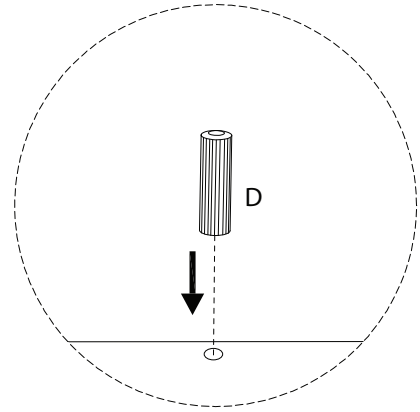
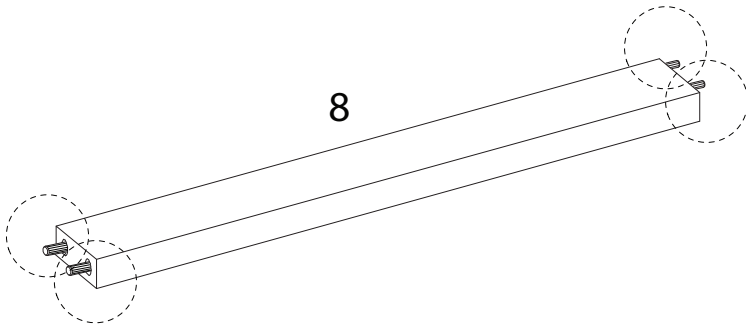


x 1

D



x 4



6

9



x 1

10

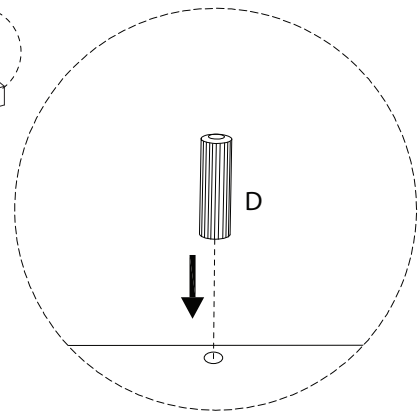
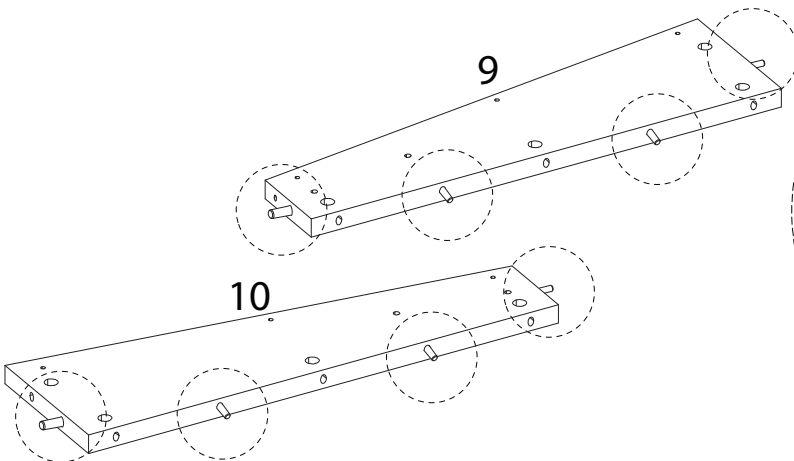


x 1

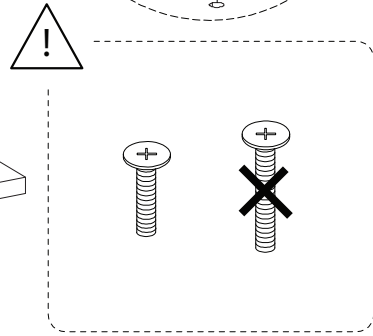
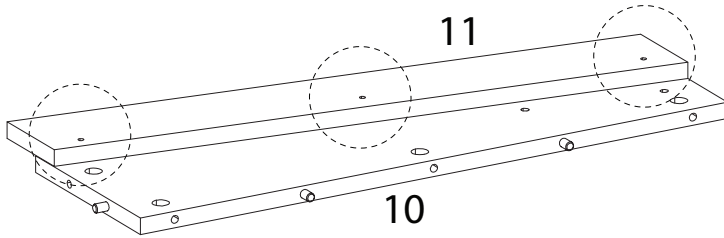
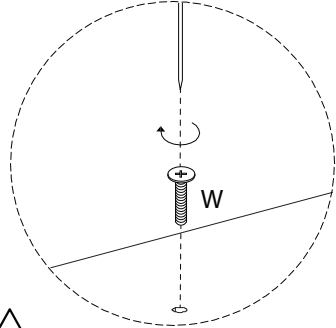
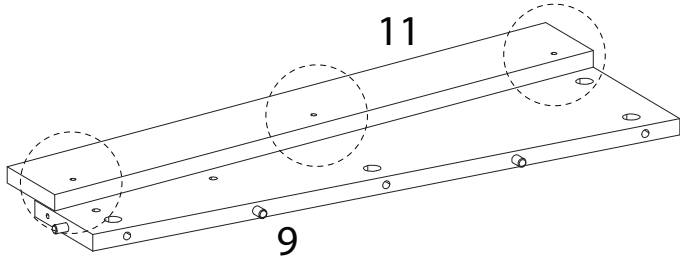
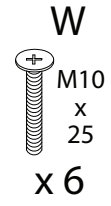
D



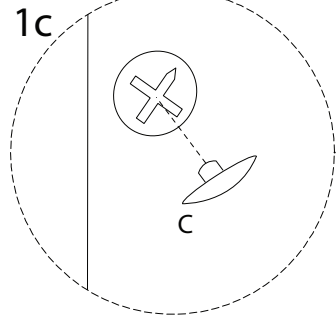
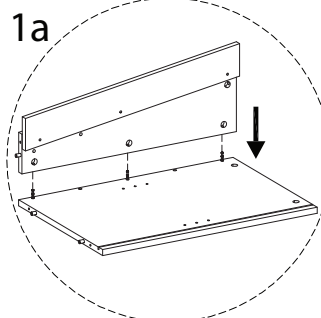
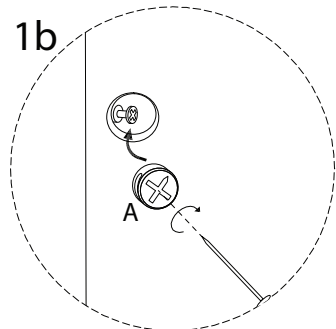
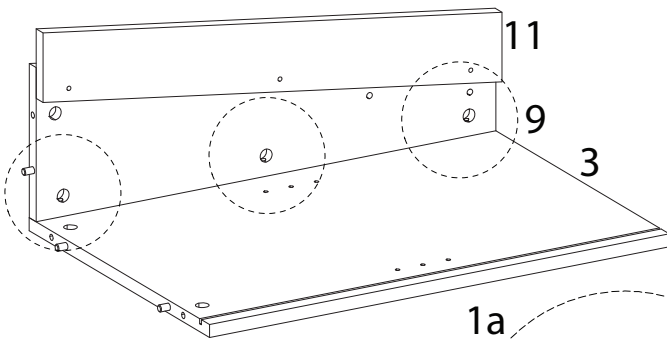
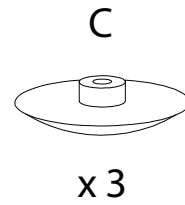
x 8



7



8



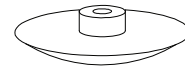
9

A

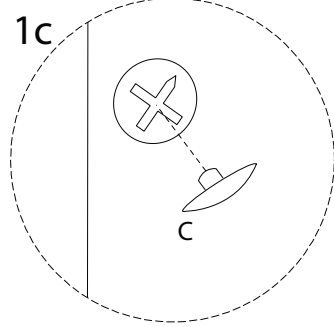
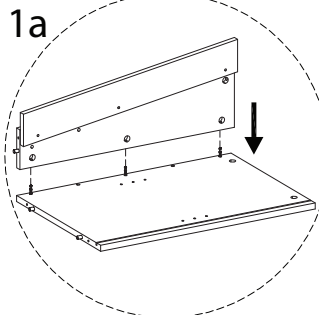
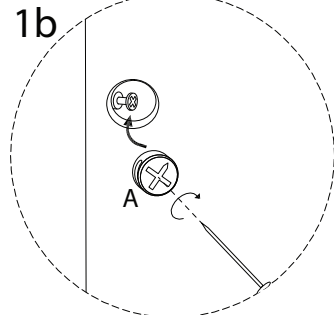
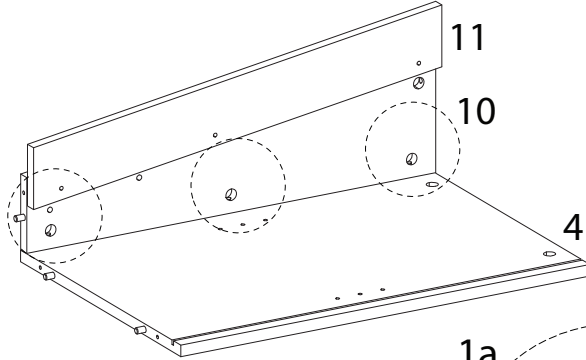


x 3

C

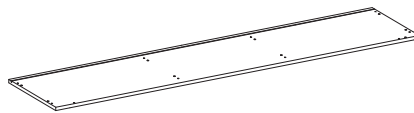


x 3



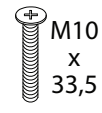
10

2

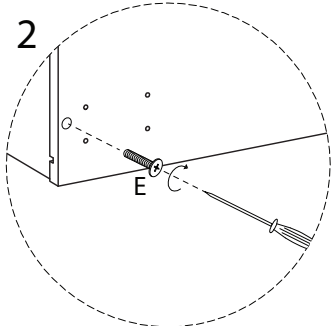
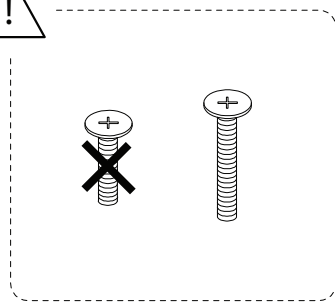
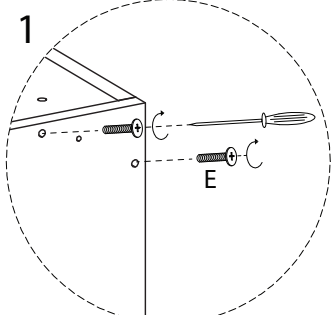
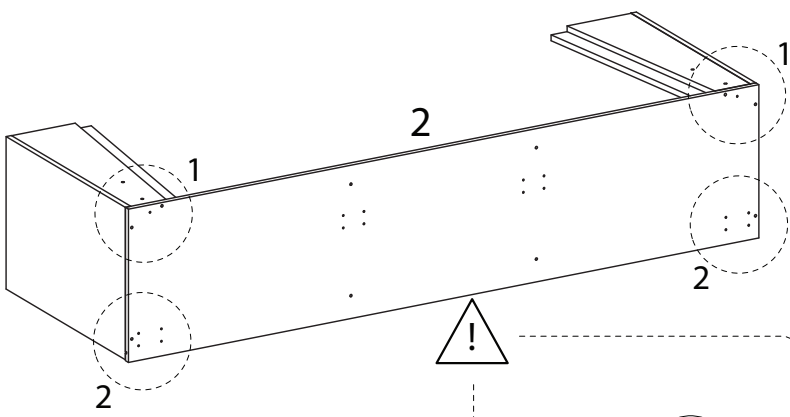


x 1

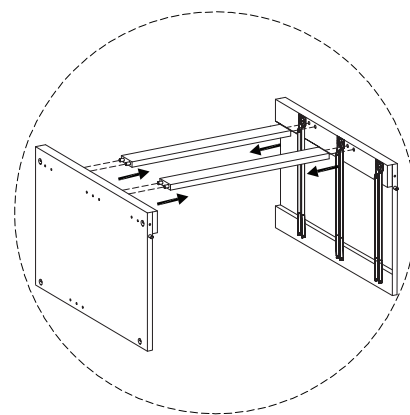
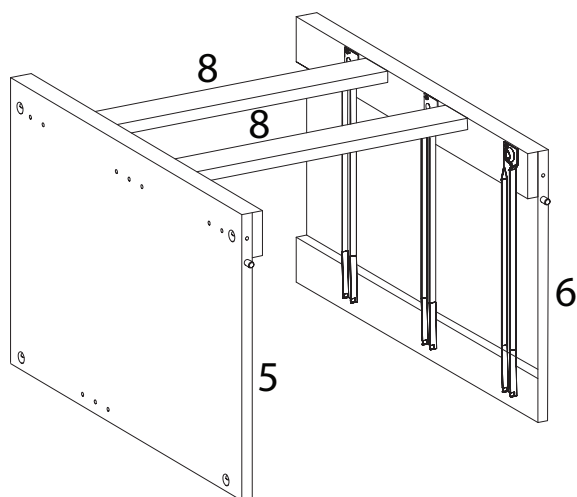
E



x 6

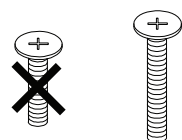
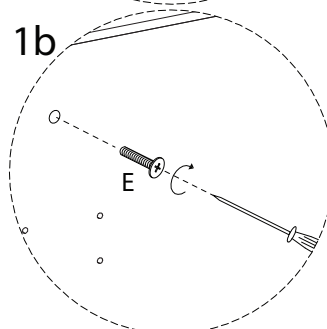
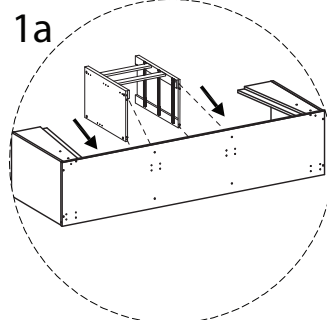
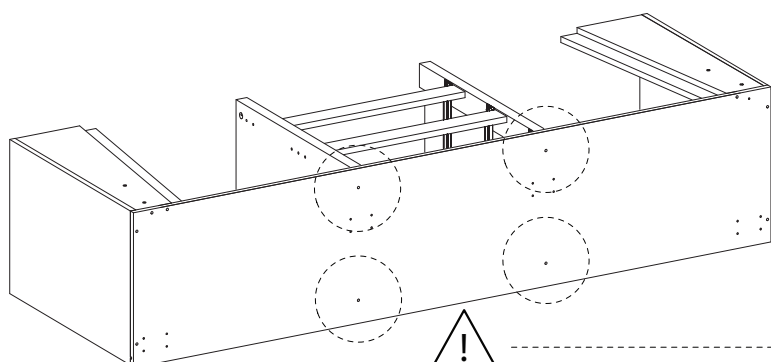


11

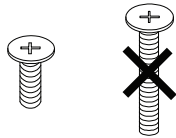
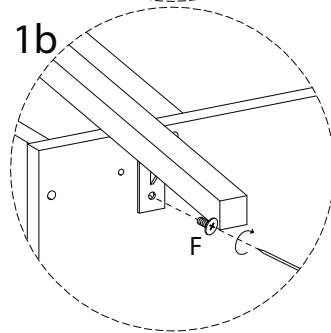
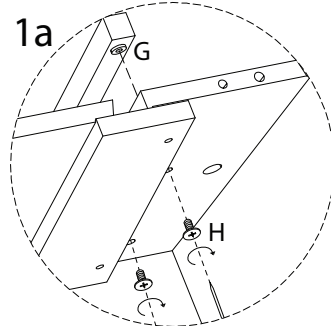
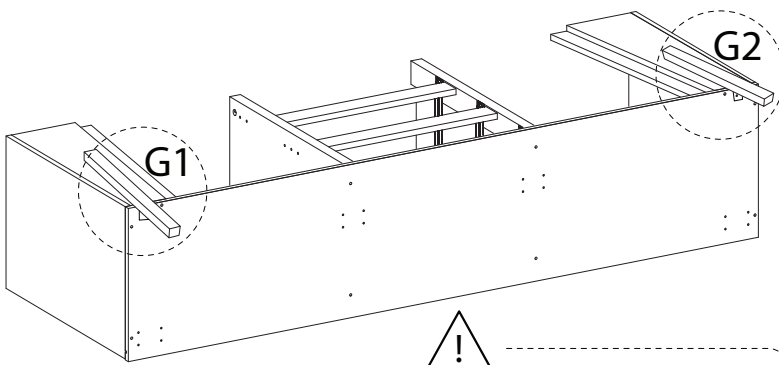
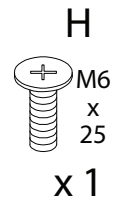
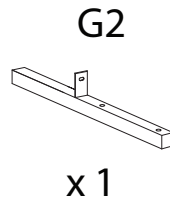
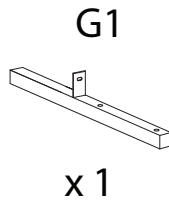
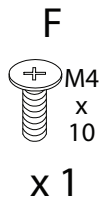


12

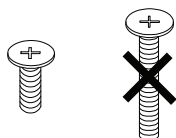
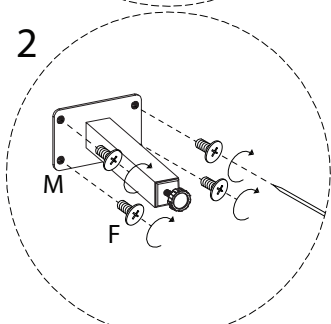
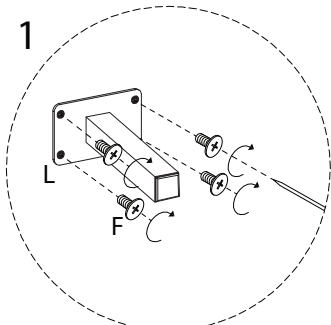
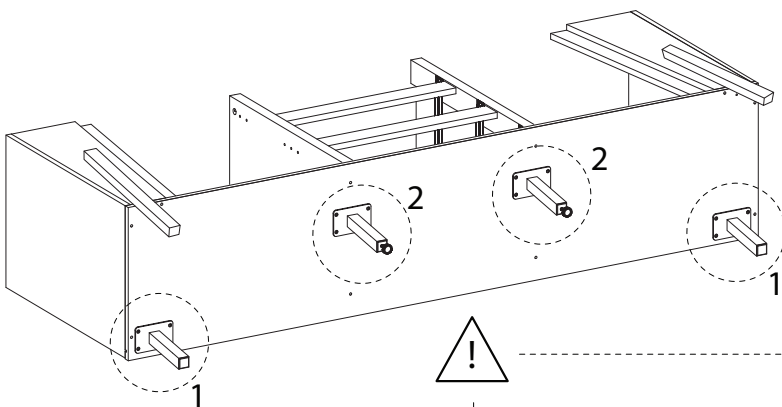
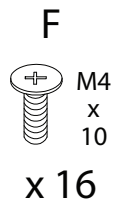
E
M10
x
33,5
x 4



13

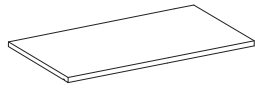


14



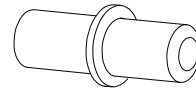
15

7

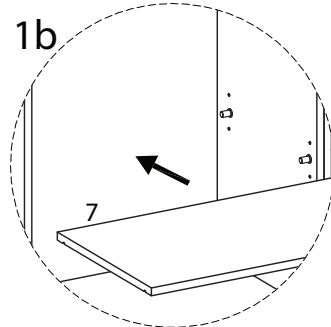
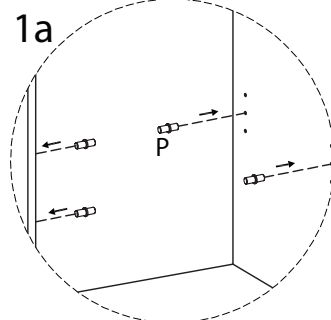
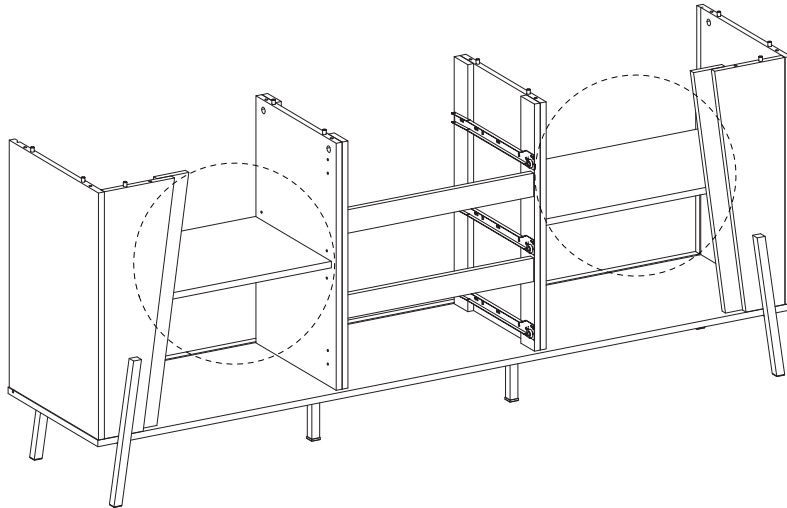


x 2

P

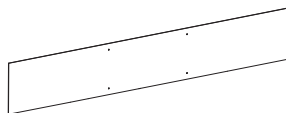


x 8



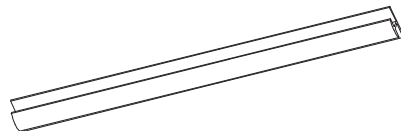
16

12

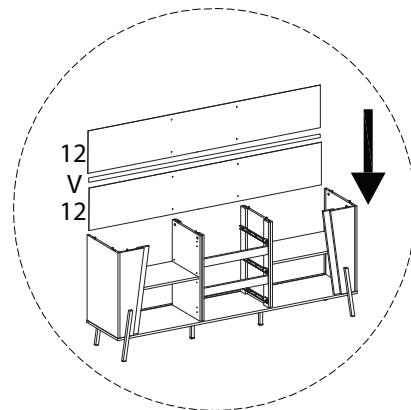
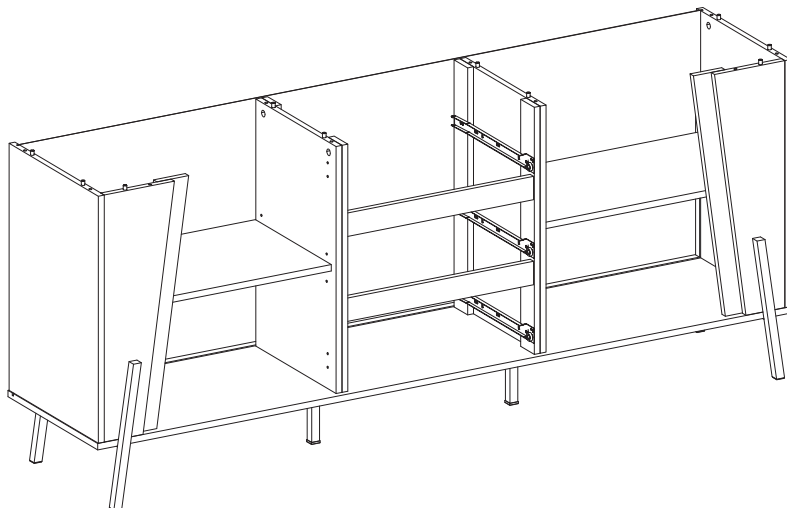


x 2

V



x 1



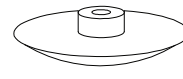
17

A

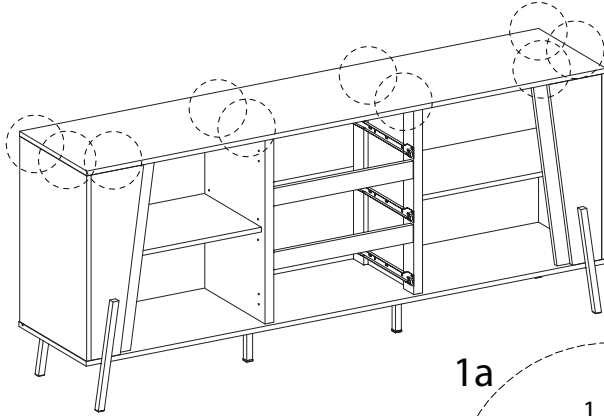


x 10

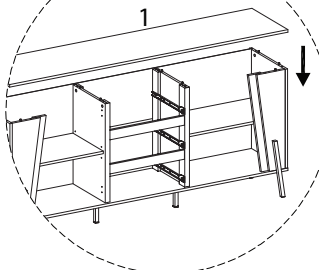
C



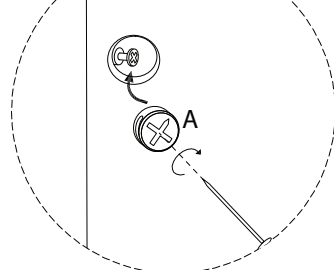
x 10



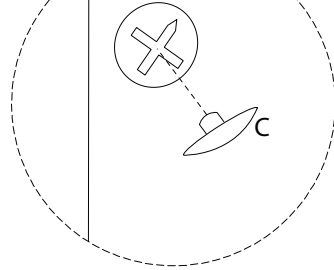
1a



1b



1c



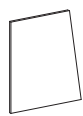
18

18



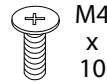
x 1

19



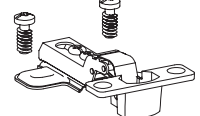
x 1

F

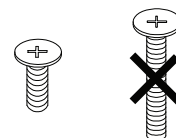
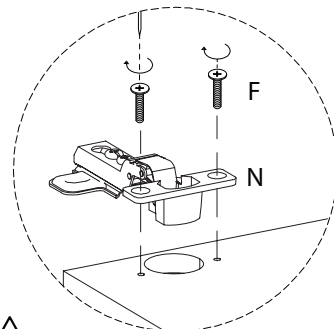
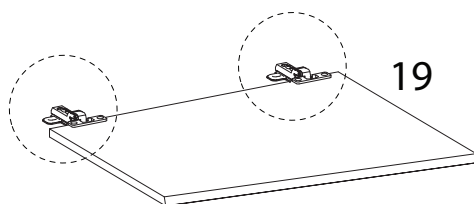
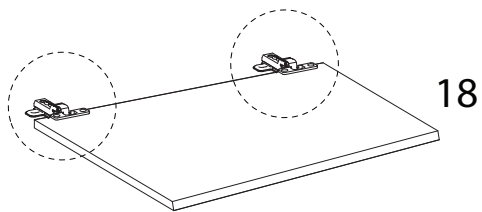


x 8

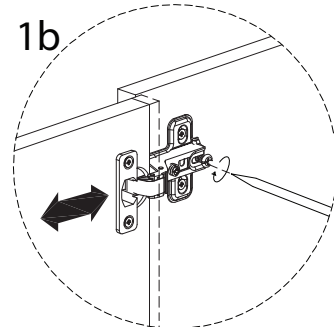
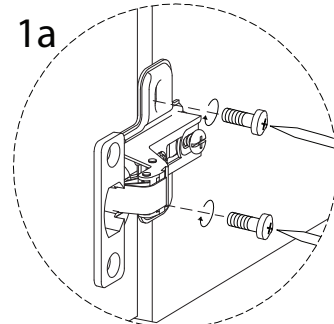
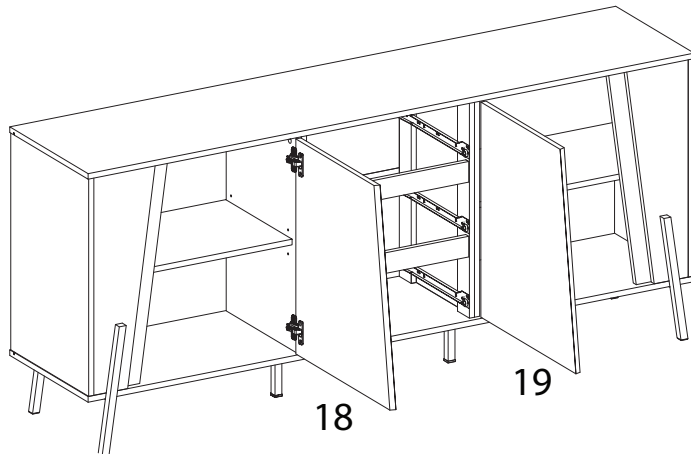
N



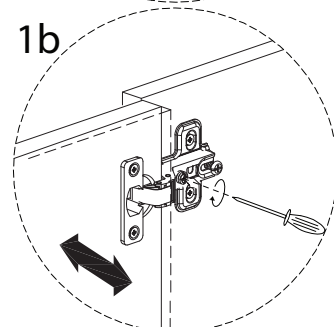
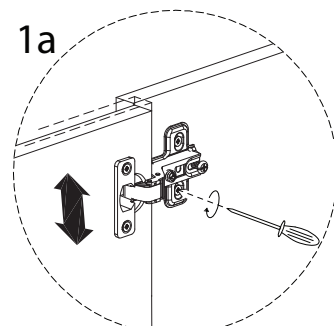
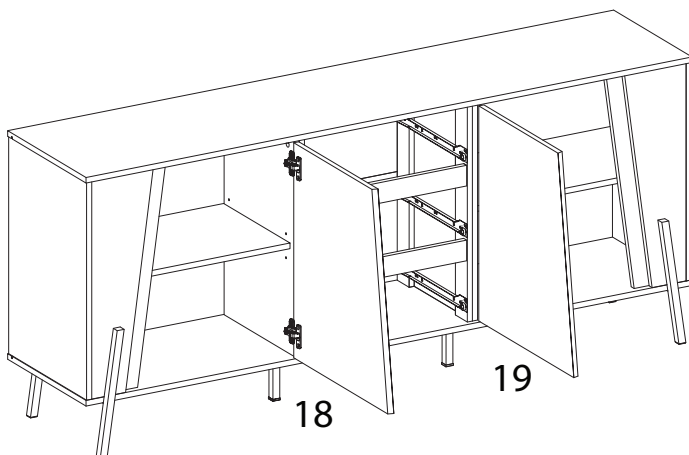
x 4



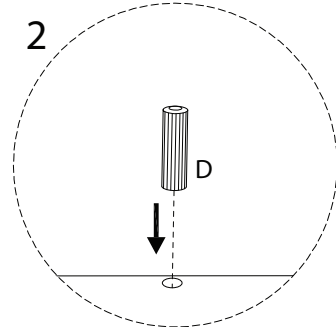
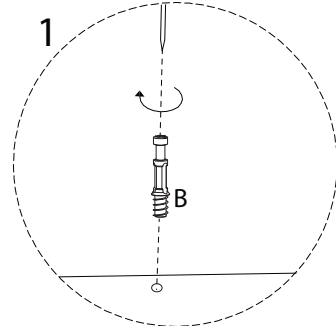
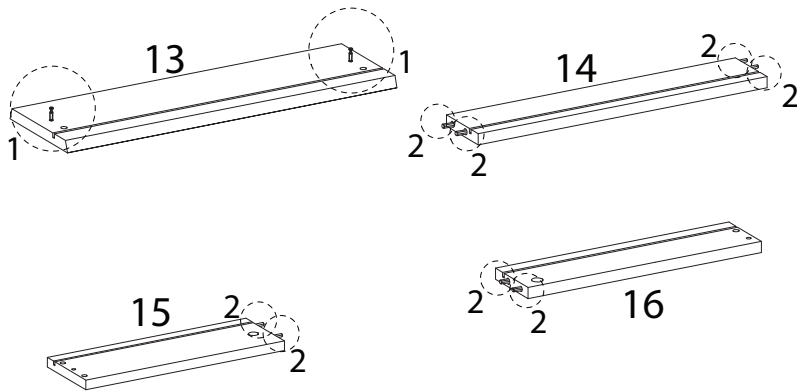
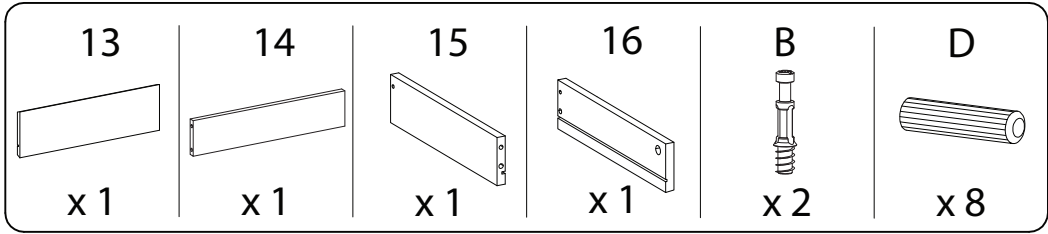
19



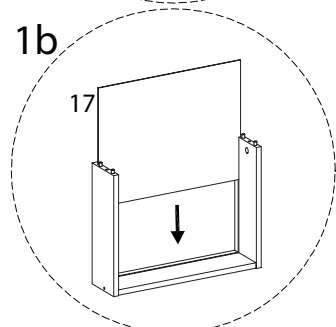
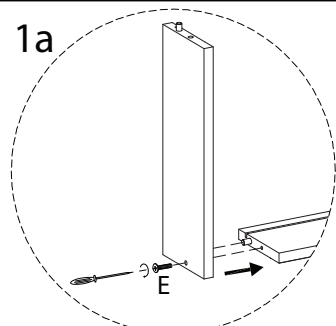
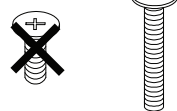
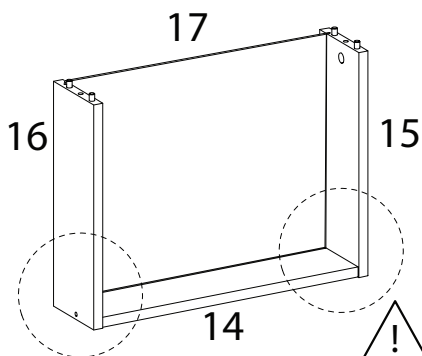
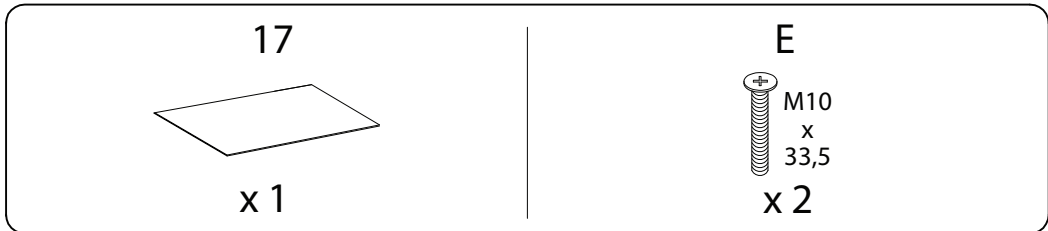
20



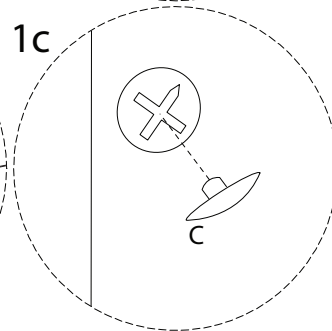
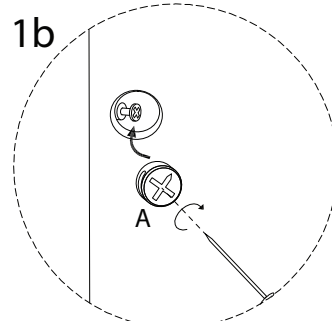
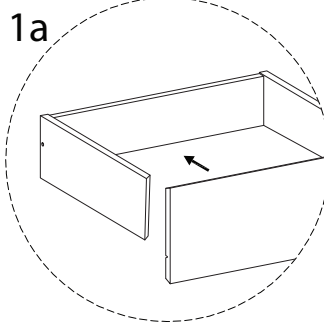
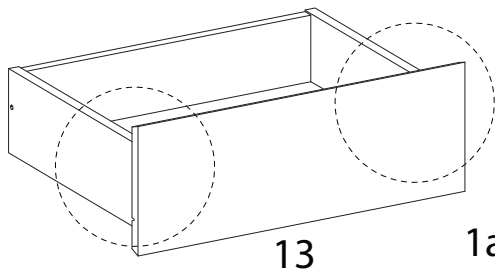
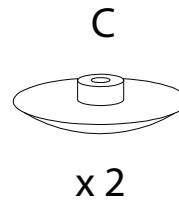
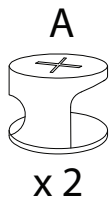
21 x 3



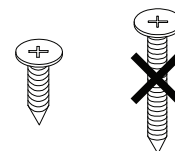
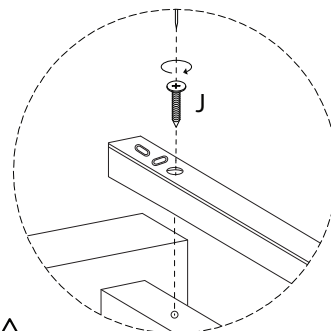
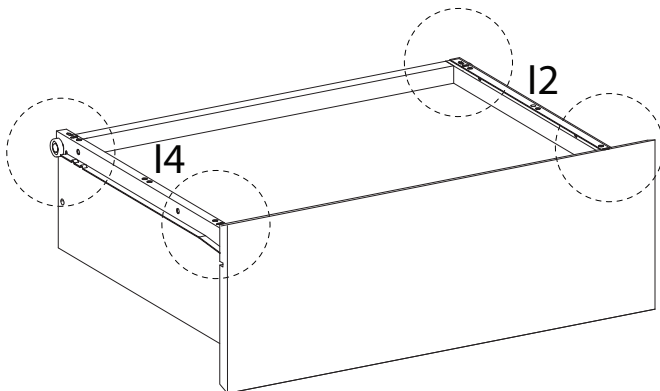
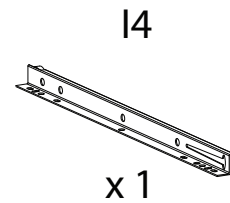
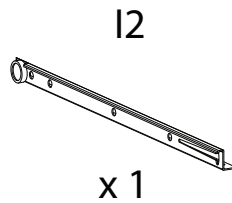
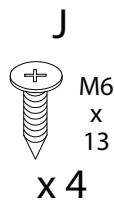
22 x 3



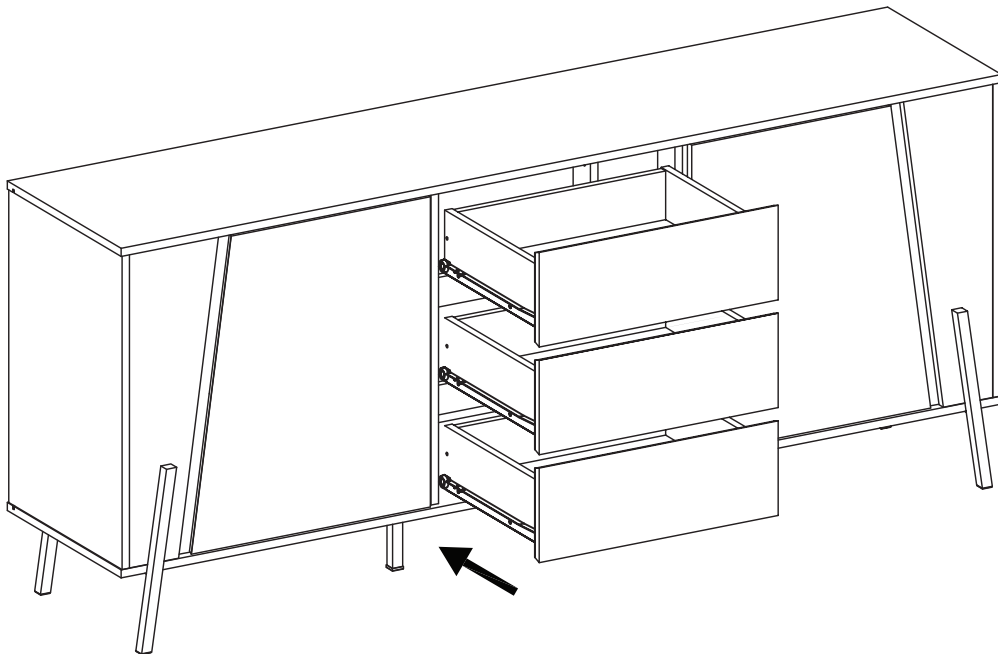
23 x 3



24 x 3

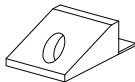


25



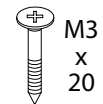
26

Q



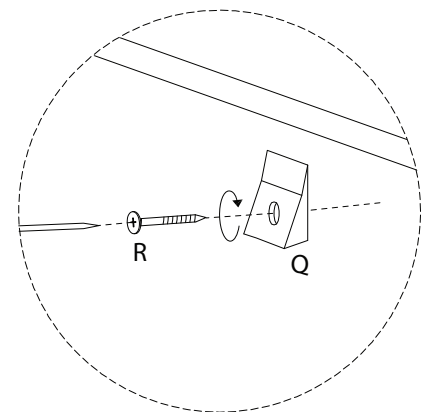
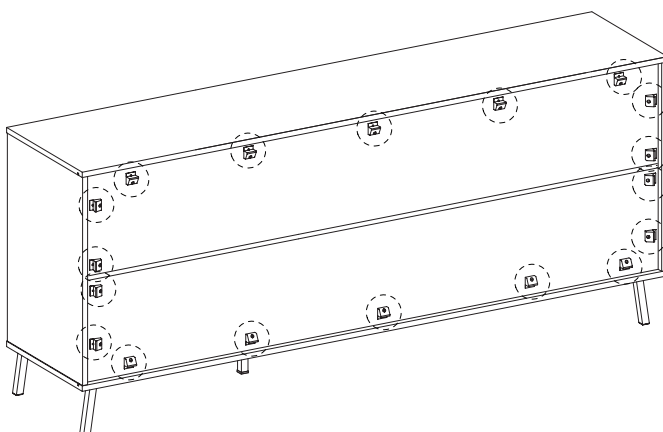
x 18

R

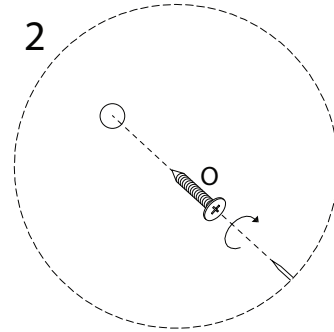
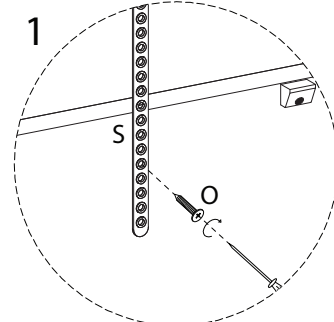
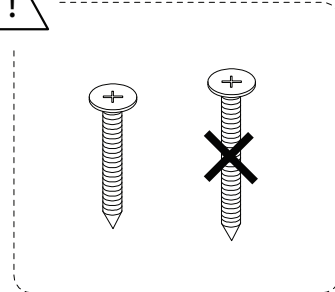
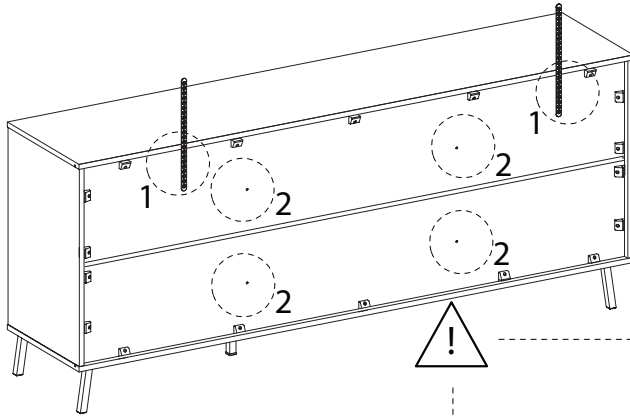
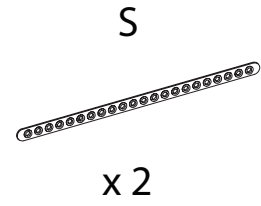
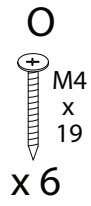


M3
x
20

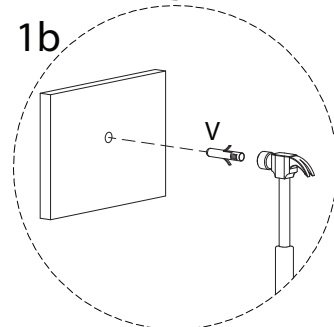
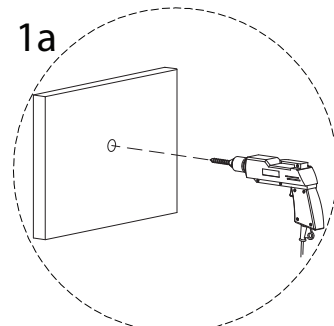
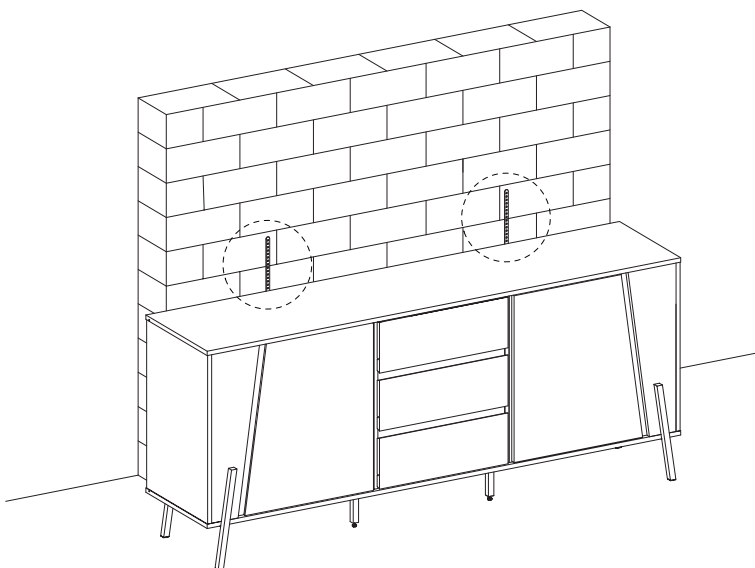
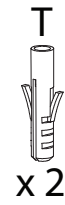
x 18



27

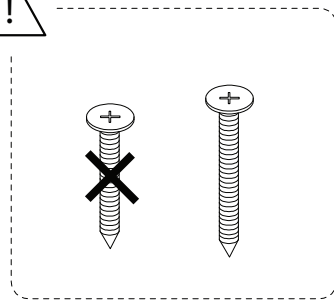
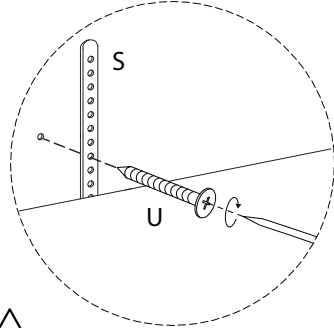
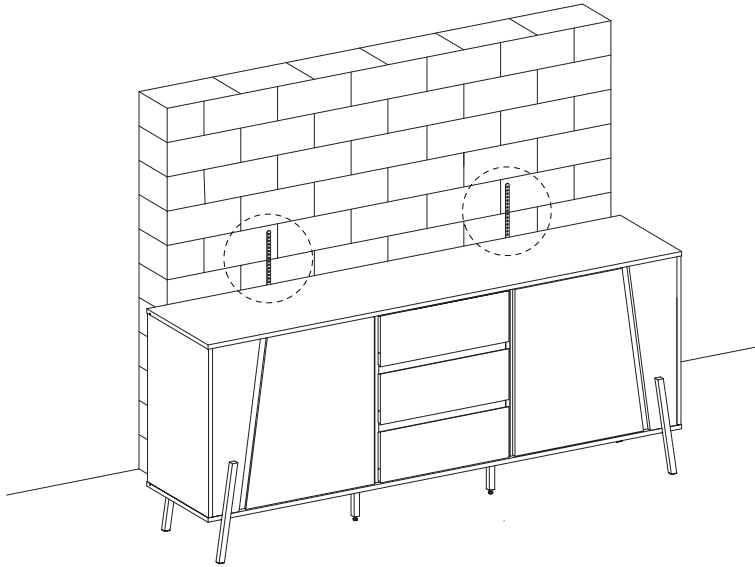


28



29

U
M8
x
38
x 2



30

