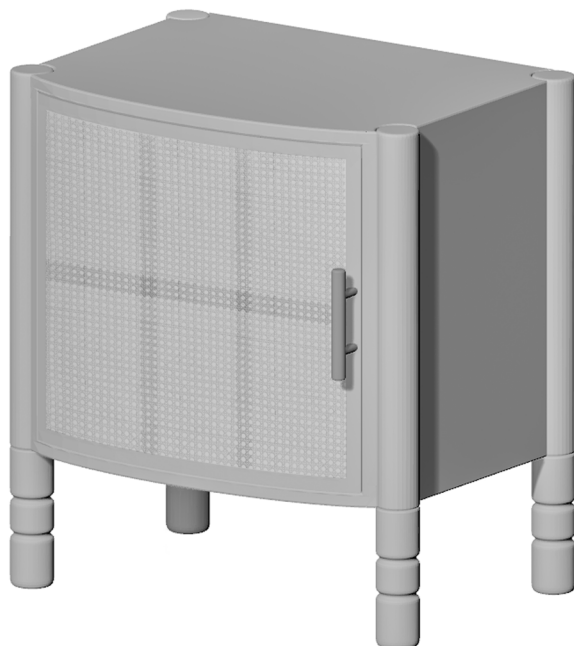


Owner Manual



10 : 00

estimated assembly



1

person required

Ok, let's
get started!



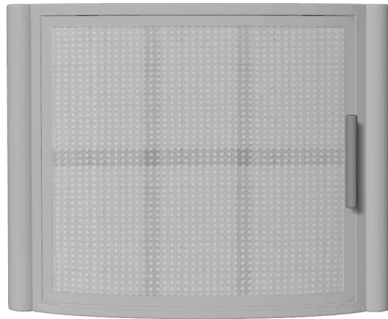
- Put on mood music!
- To prevent damage to product, use the clean side of package carton or rug as working surface.
- In the event of missing or damaged parts, delivery problems etc., please reach out to our team. We will be happy to fix the problem!

care guide

- Clean regularly with a soft and dry cloth.
- To protect finish, avoid use of abrasive cleaners.
- Wipe up spills immediately. Please!



product parts



(A)
Table Top
x1



(B)
Table legs
x4

assembly instructions

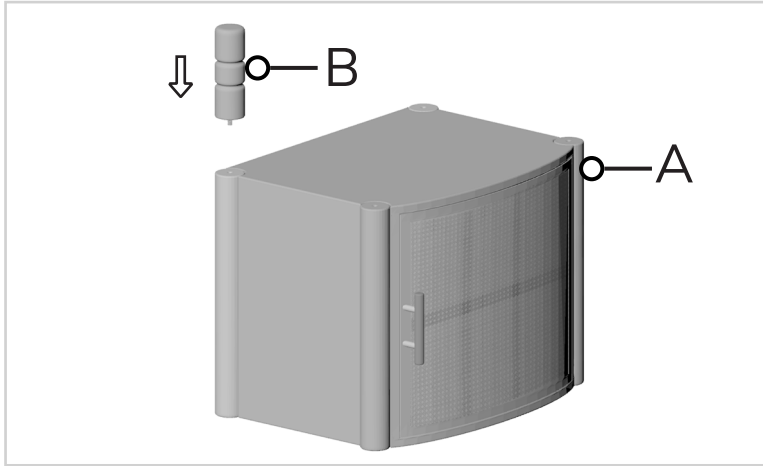
Friendly Tip: Take a deep breath going in. This may be a tricky part, but nothing too overwhelming. Just follow these steps to the T and the outcome will be worth it!



- ⓘ While assembling the product, tighten the bolts up to 50%. Once all parts are in place, only then fully tighten the bolts.

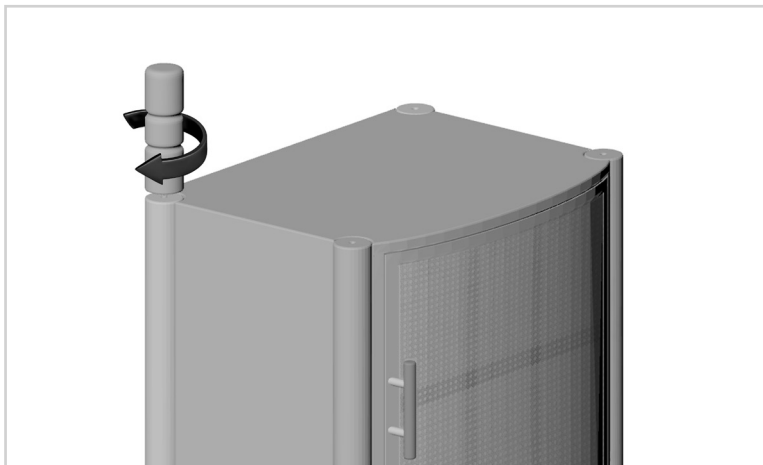
step 1:

Turn the tabletop (A) upside down. Align one of the table leg (B) with the given slots on tabletop (A).



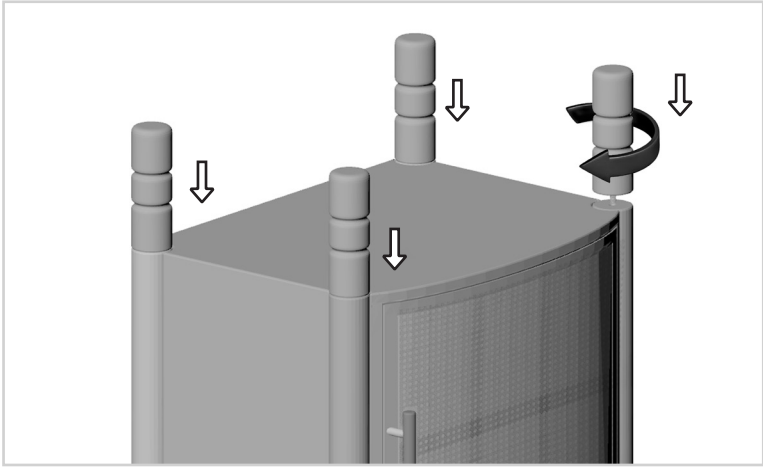
step 2:

Attach the table leg (B) by rotating clockwise. Use the image below as reference.



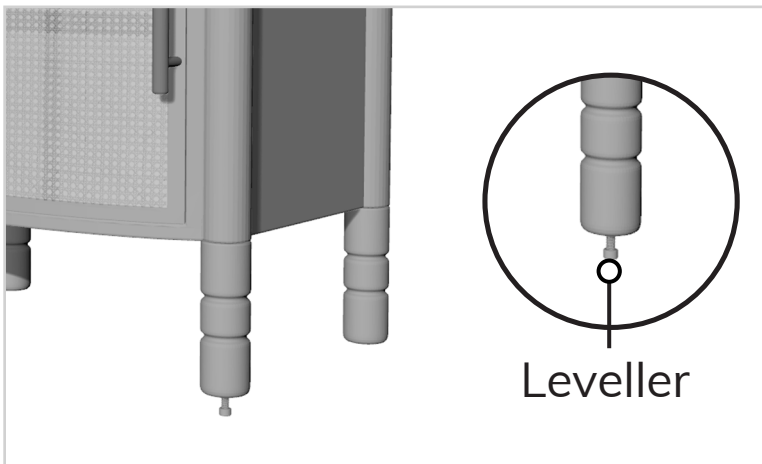
step 3:

Repeat step 2 with the remaining legs.



step 4:

If required, adjust the levellers according to the floor as shown in the image.



Voila! Your table is now assembled and secure!