
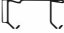






SLIDING DOORS ASSEMBLY INSTRUCTIONS

IMPORTANT

Please read carefully
Protect your eyes when handling metal parts, wear safety goggles
Follow all steps in order and complete each step before starting the next step.

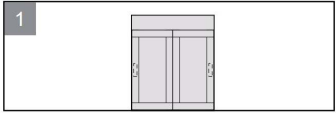
What's Included

Fascia  (x1)	Top Track  (x1)	Top Connectors  #1 (x2) #2 (x2) (x8)
Door Bumper  (x8)	Floor Guide  (x1)	Handles  (x2)

Place the plastic plug at this position

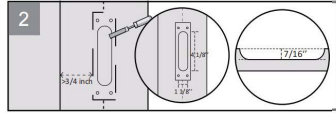
Handle Installation (Optional)

Step 1



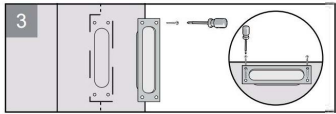
Install the handles before hang the door.

Step 2



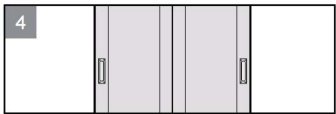
Groove 7/16" deep hole at desired height.

Step 3



Fasten the handles with screws.

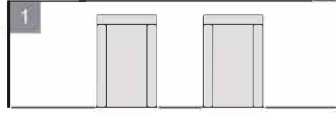
Step 4



The installation was successful.

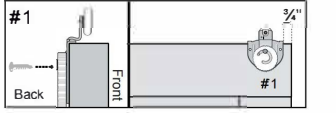
Door Installation Steps

Step 1




Two slabs are identical.


Step 1.1



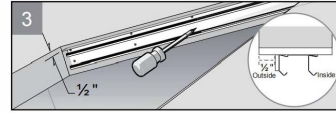
Step 1.2



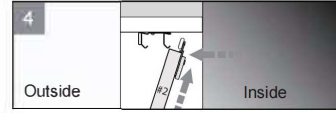
Step 2



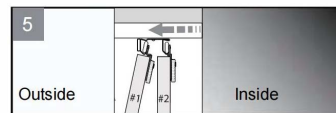
Step 3



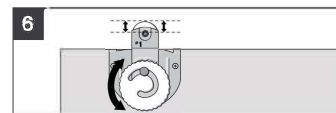
Step 4



Step 5

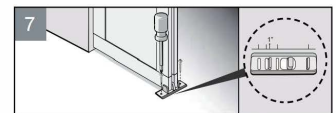


Step 6




Rotate to adjust door up or down.

Step 7



Place the plastic plug at this position.

Step 8



Adhere the Fascia to the track.