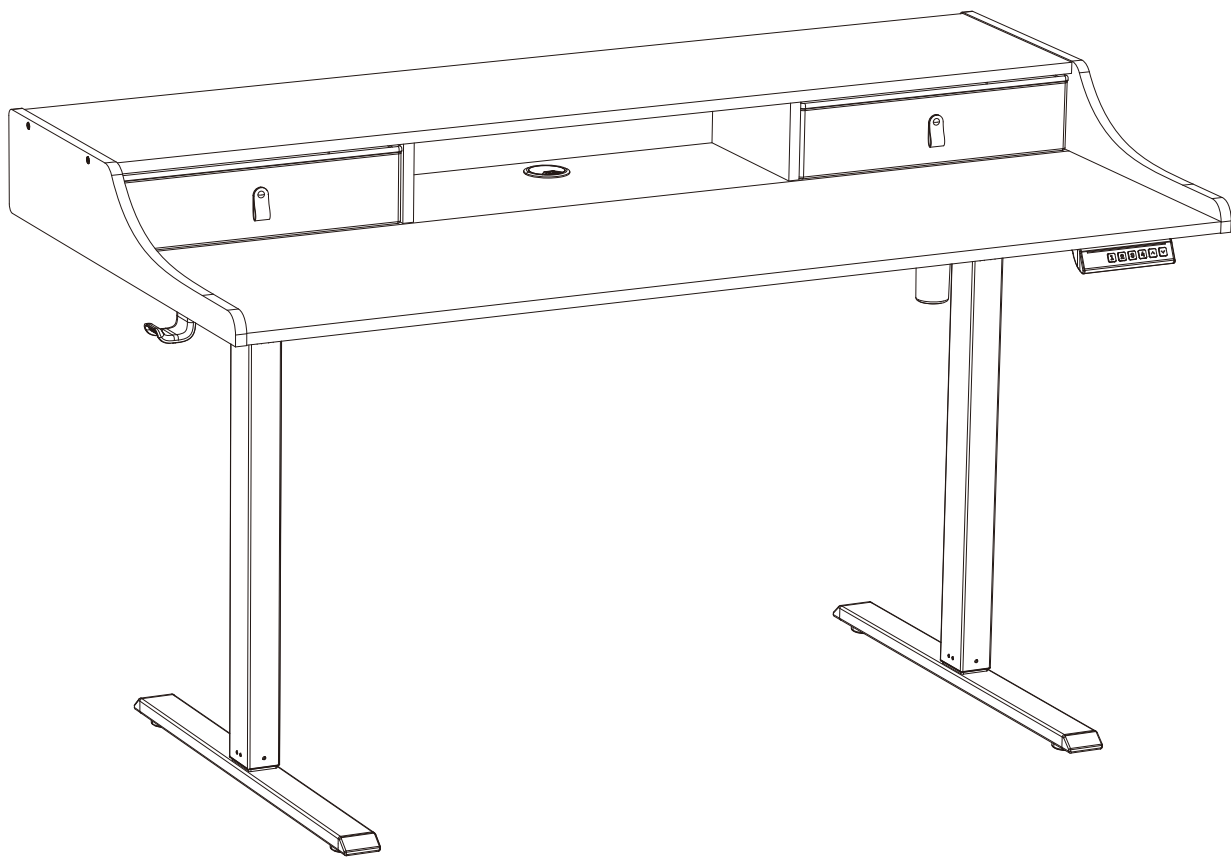


Electric Standing Desk


Instruction Manual

MESD47

Rev01



 877-201-4016 Mon-Fri 8am - 8pm (CST)

 help_service_center@outlook.com

Specifications



Height Adjustment Range
27.9"-46.8" (71-119cm)



Power Input
100V-240V

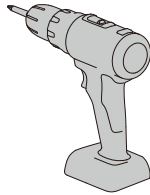


Max. Speed
18mm/s



Operating Noise
≤55dB

Tools Needed (Not Included)



Drill

OR



Phillips Screwdriver

Step 1

Supplied Parts and Hardware

A x 8



Bolt
M6 x 30mm

B x 10



Bolt
M6 x 10mm

F x 1



Allen Wrench
5/32" (4mm)

I x 1



Wrench

01 x 1

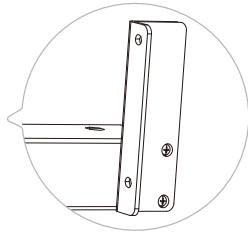


Crossbar

02 x 1



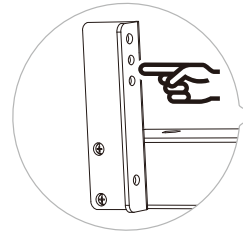
L Leg



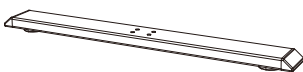
03 x 1



R Leg

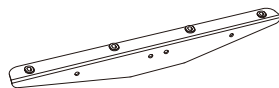


04 x 2



Leg Base

05 x 2



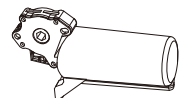
Side Plate

06 x 1



Transmission Rod

07 x 1



Motor

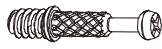
Step 2 **Supplied Parts and Hardware**

G x 5



Wood Dowel Pin

L1 x 4



Cam Bolt

L2 x 4



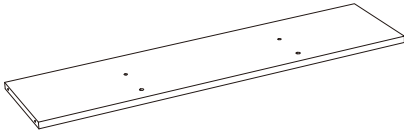
Cam Lock

M x 2



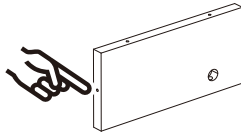
Screw
ST4 x 35mm

08 x 1



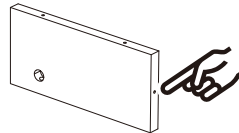
Drawer Top Panel

09 x 1



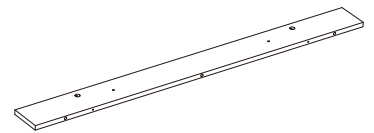
Drawer Side Panel
(R)

10 x 1



Drawer Side Panel
(L)

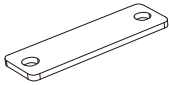
11 x 1



Drawer Back Panel

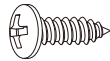
Step 3 **Supplied Parts and Hardware**

C x 3



Desktop Panel
Connector

D x 6



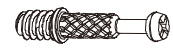
Screw
ST5 x 14mm

G x 15



Wood Dowel Pin

L1 x 9



Cam Bolt

L2 x 9



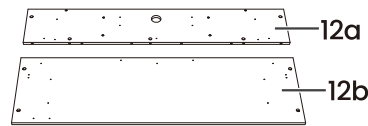
Cam Lock

M x 10



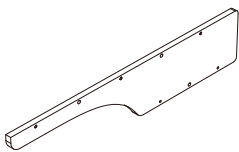
Screw
ST4 x 35mm

12 x 1



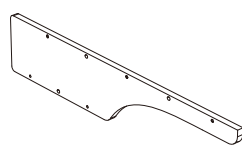
Desktop

13 x 1



Drawer Side Panel
(R)

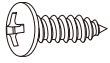
14 x 1



Drawer Side Panel
(L)

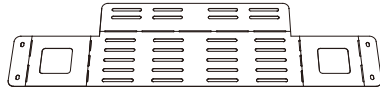
Step 4 Supplied Parts and Hardware

D x 20



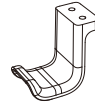
Screw
ST5 x 14mm

15 x 1



Cable Management Tray

16 x 2



Storage Hook

17 x 1



Controller

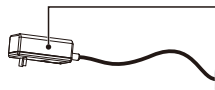
Step 5 Supplied Parts and Hardware

H x 4



Cable Clip

18 x 1



Power Cable

Actual part
may vary.

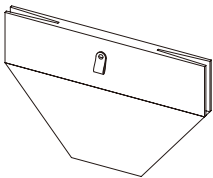
19 x 1



Grommet Cover

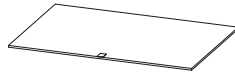
Step 6 Supplied Parts and Hardware

20a x 2



Drawer

20b x 2



Drawer Bottom

Not all hardware included in this package will be used.

Contact Us

If you receive parts that are damaged, defective, or are missing parts, please contact us.



877-201-4016 Mon-Fri 8am - 8pm (CST)



help_service_center@outlook.com

Step 1

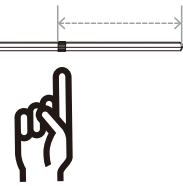
Assembling the Frame

L Leg End



The bump is set back closer.

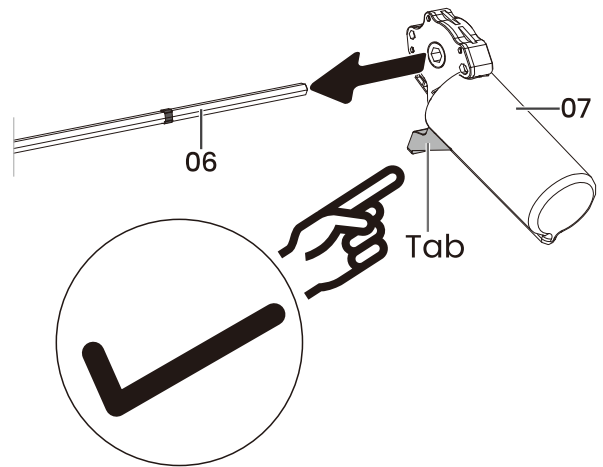
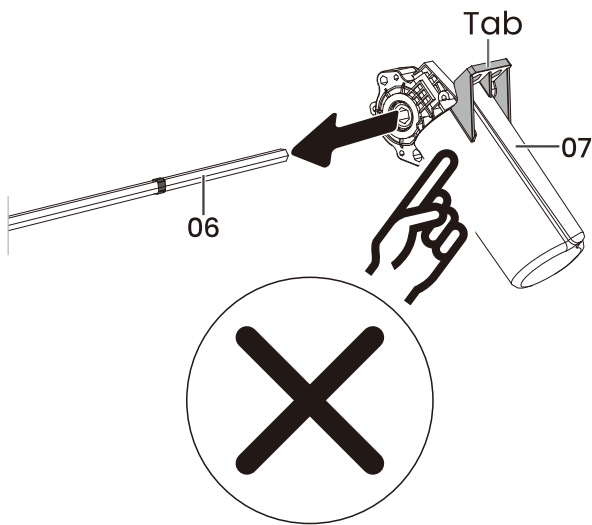
Motor End



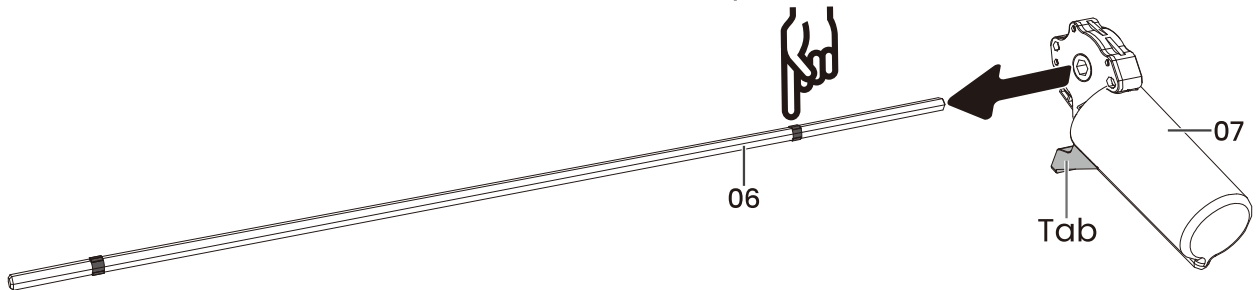
The bump is set back farther.

Insert the motor onto the transmission rod.

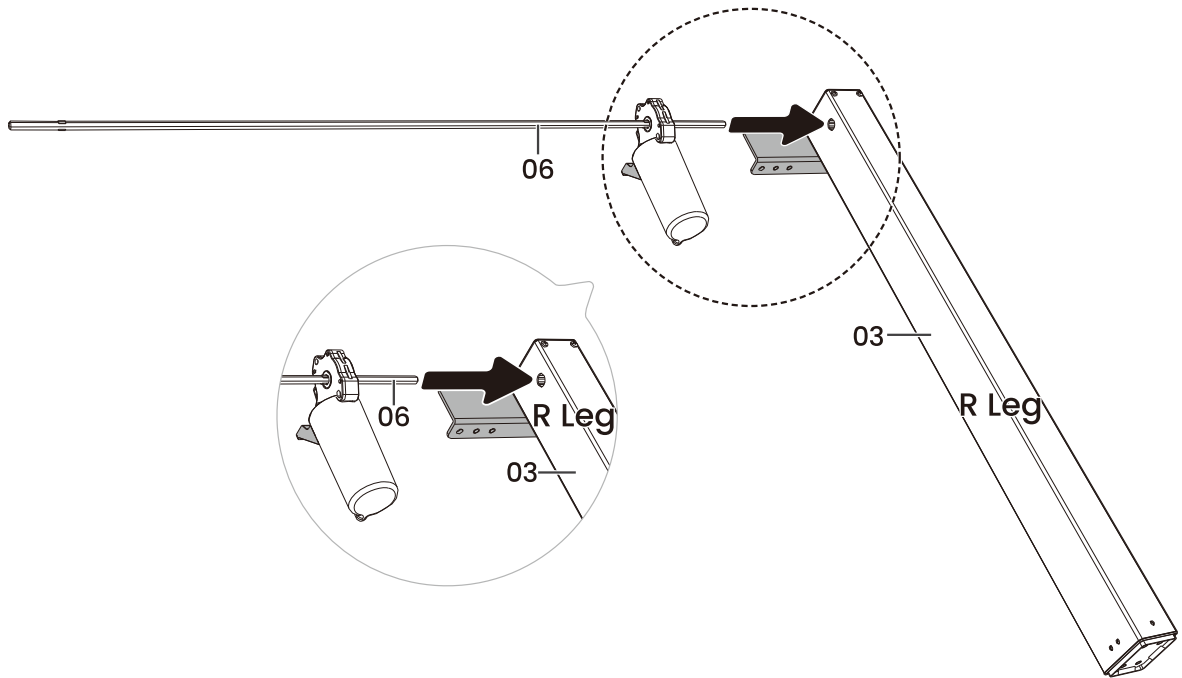
! Important: Note the direction of the tab.



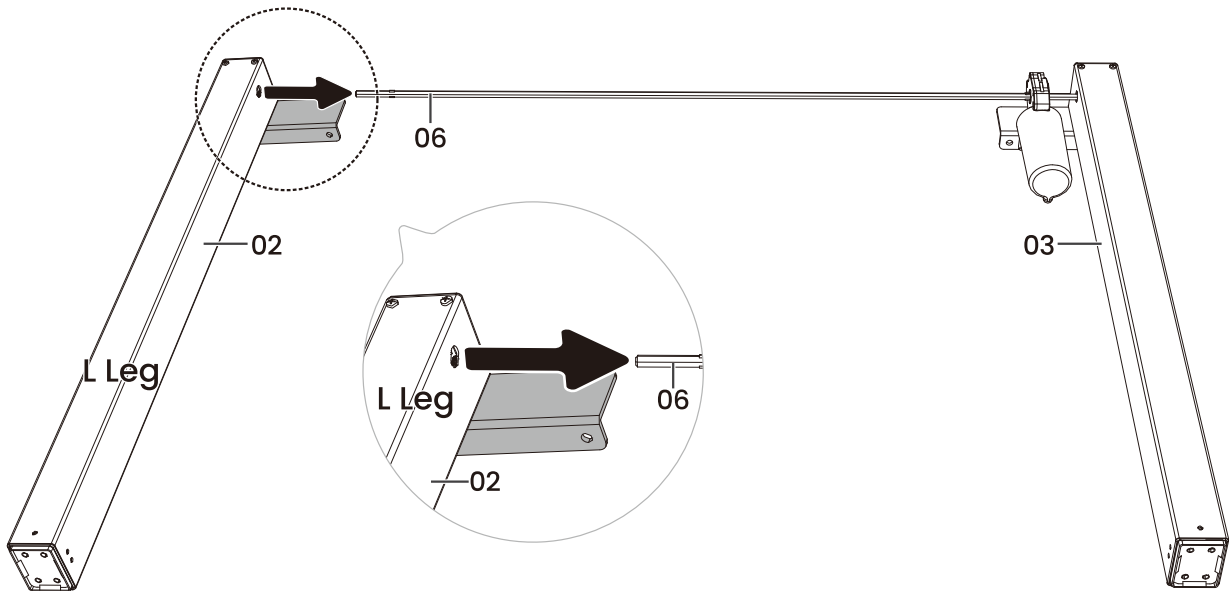
The bump is set back farther.



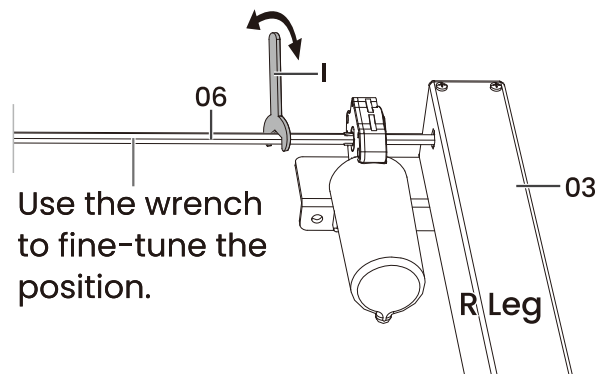
Insert the transmission rod with the motor into the R leg.



Insert the L leg onto the other end of the transmission rod.

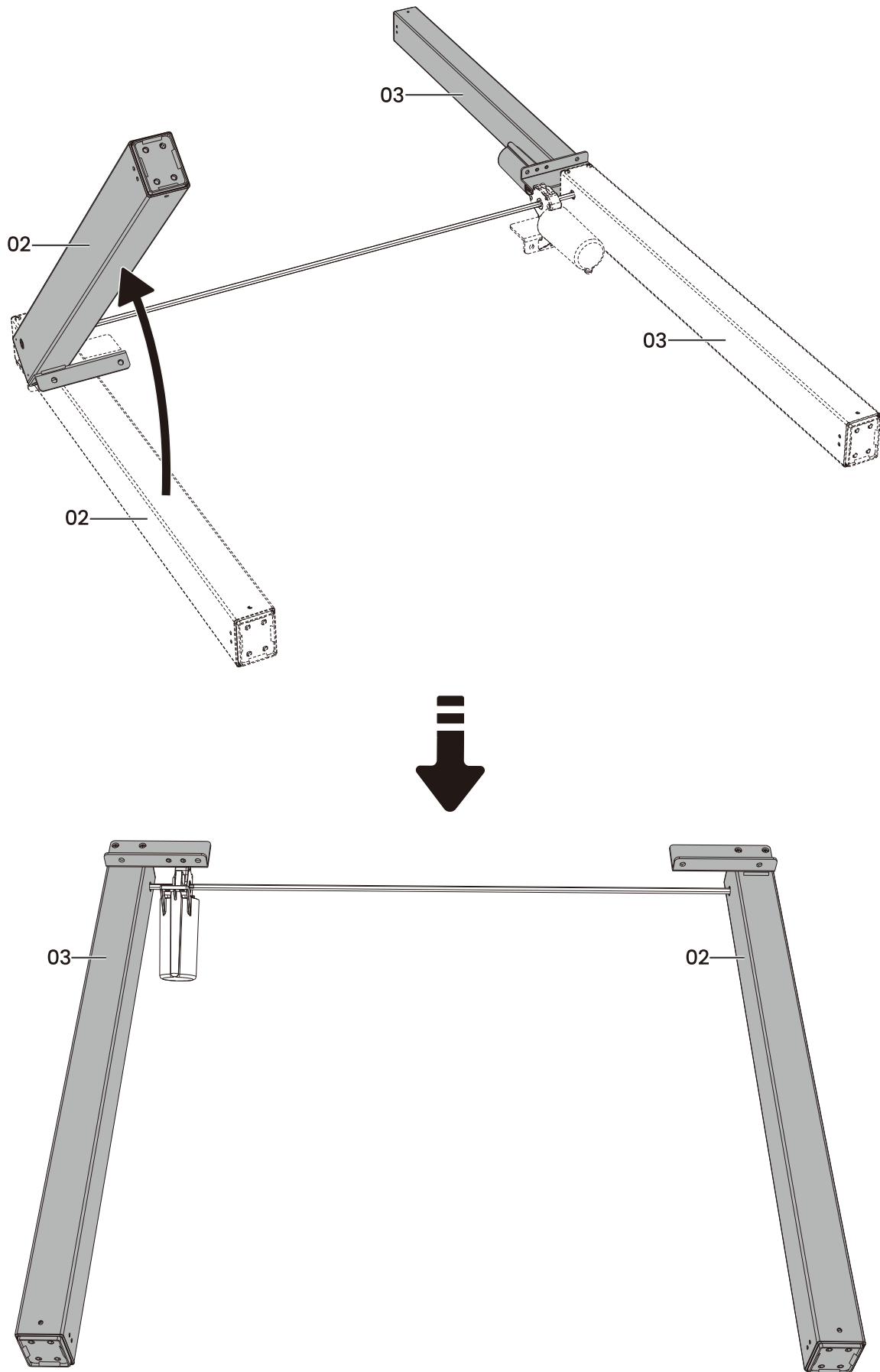


Tip: If the transmission rod does not fit smoothly into the hole in the L leg, use the wrench to fine-tune the position.



Use the wrench to fine-tune the position.

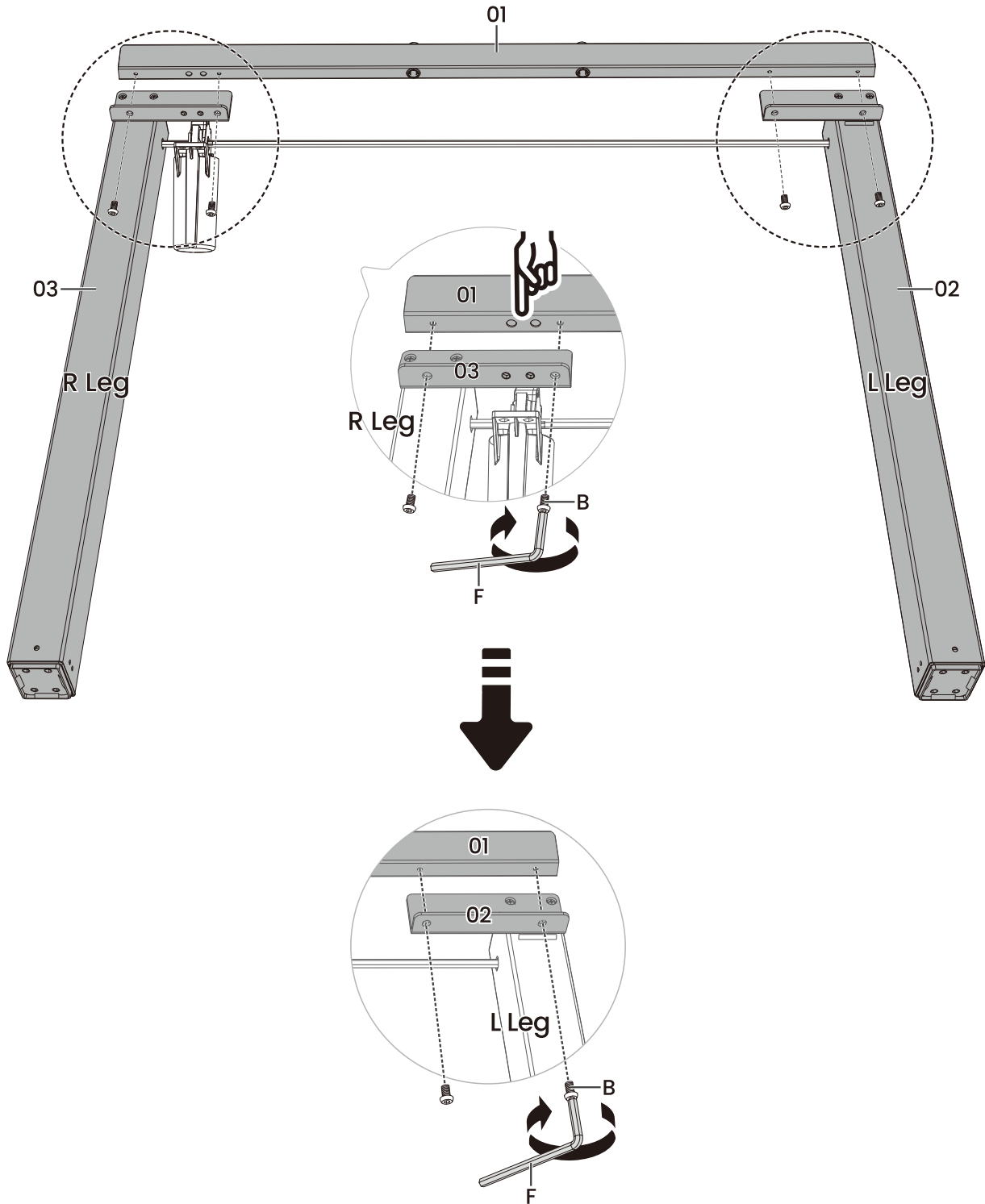
Carefully flip each leg over one by one.



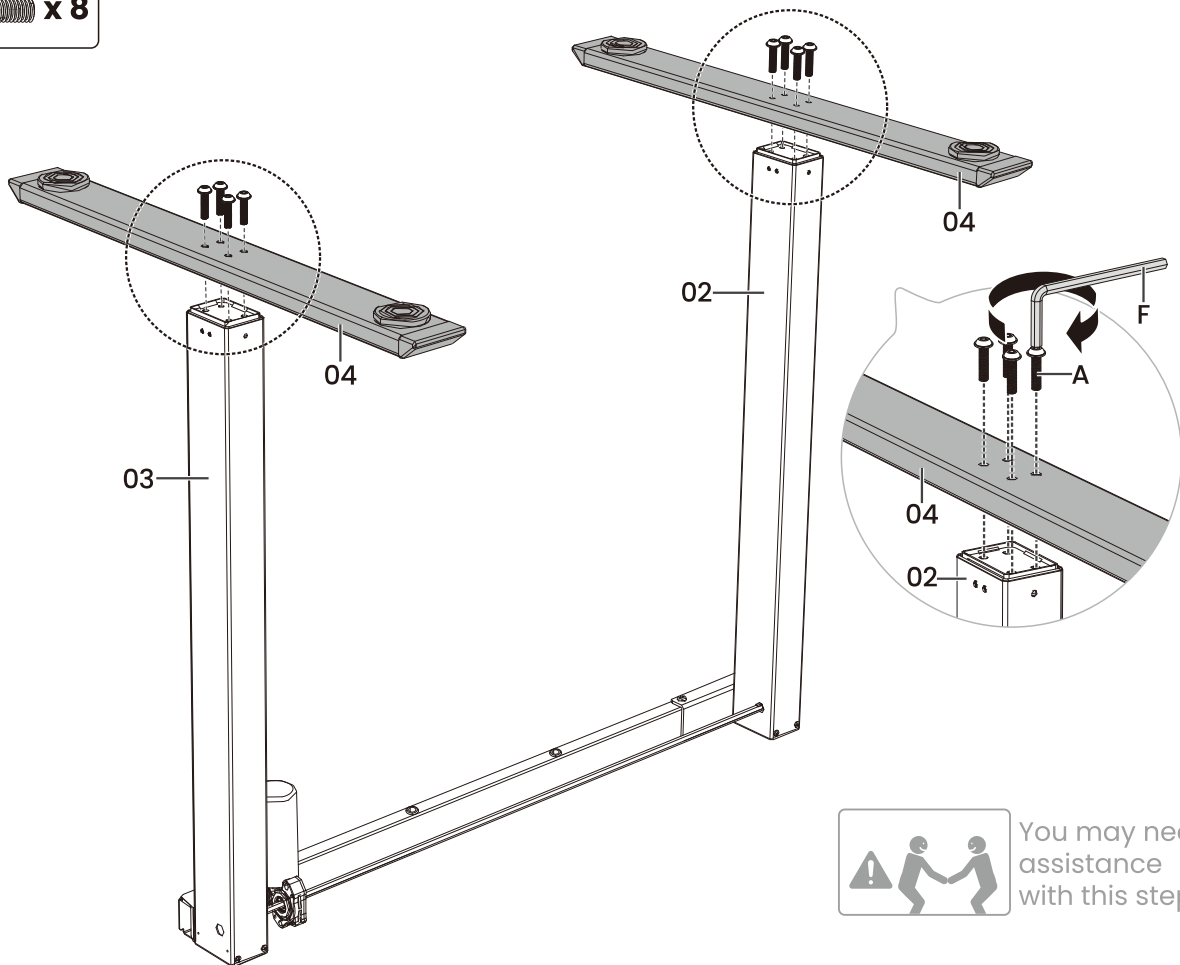
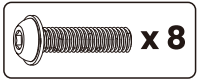
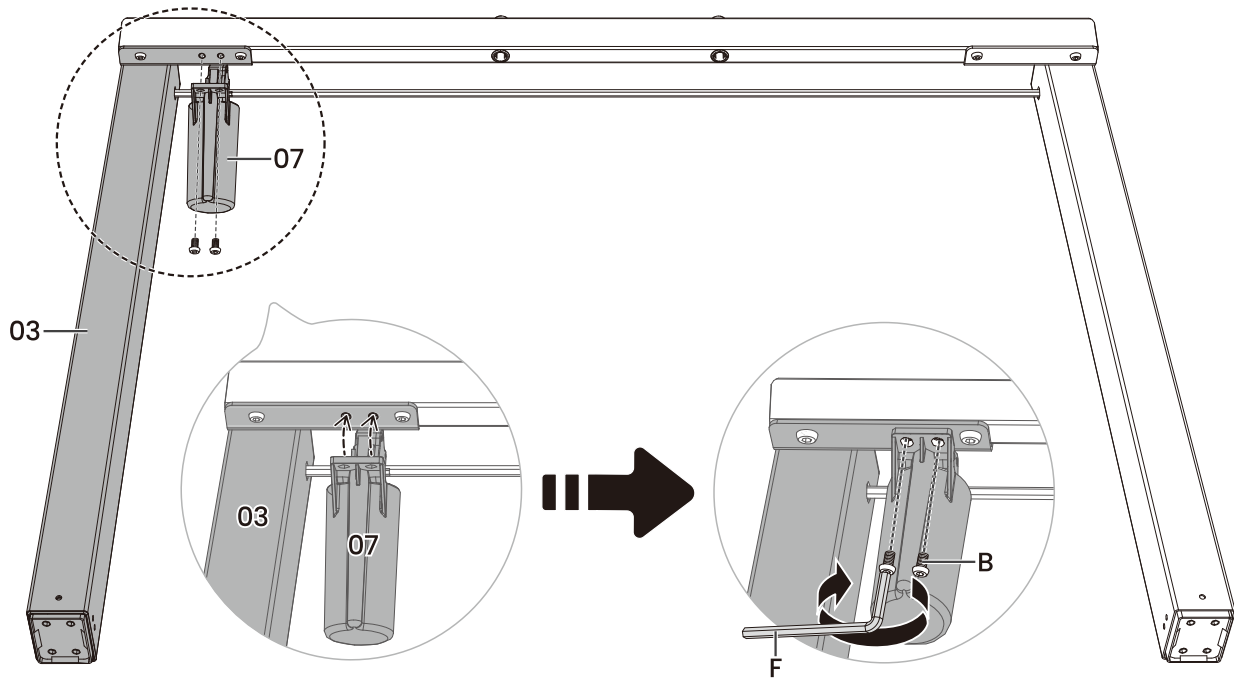
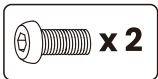
Secure the crossbar to the R leg, then to the L leg. If the holes in the crossbar and L leg are not aligned, adjust the L leg to align.



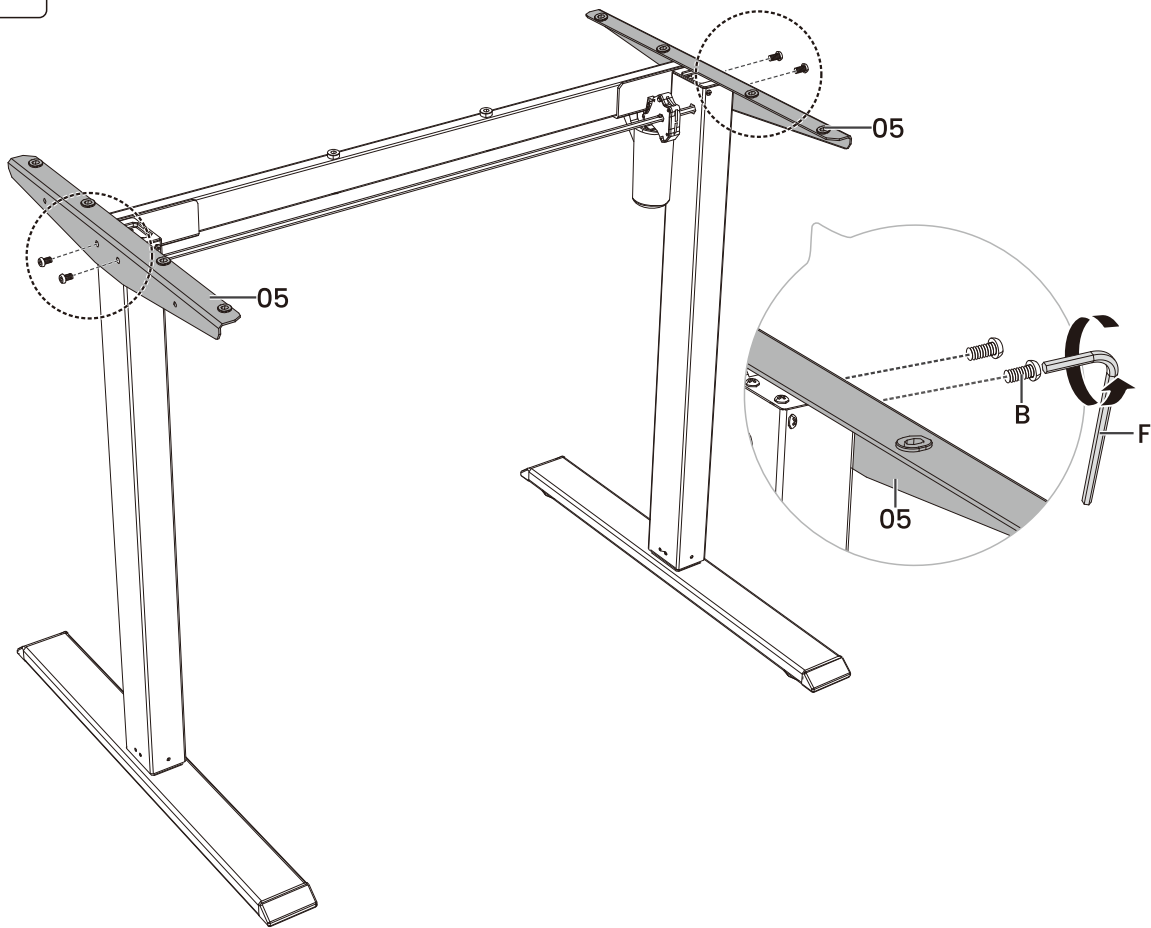
Note: When tightening the bolts, press the crossbar downward.



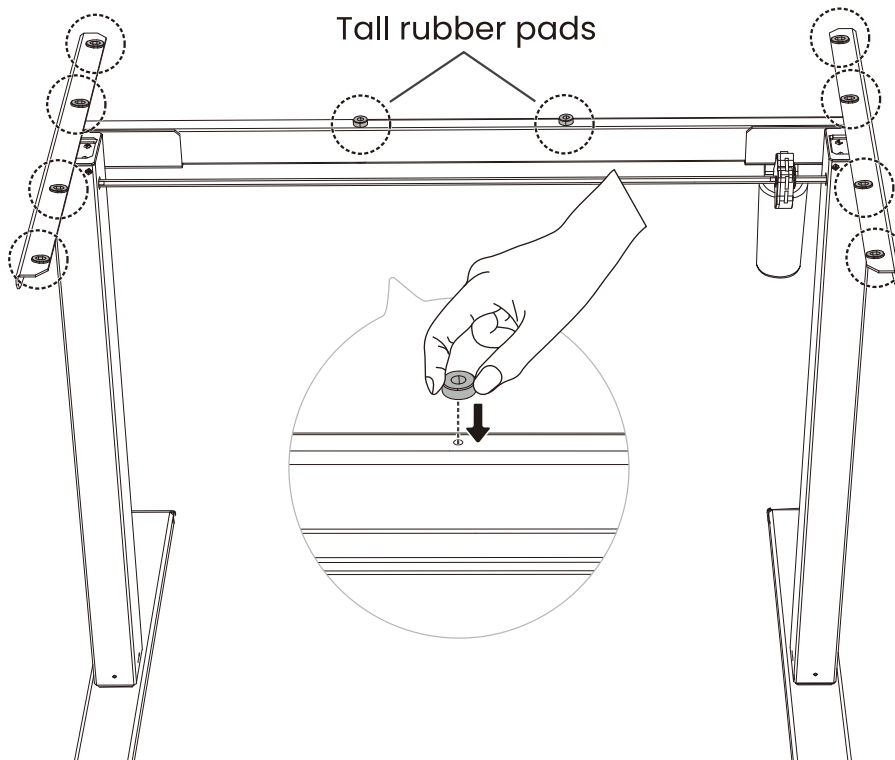
Secure the motor.



You may need assistance with this step.

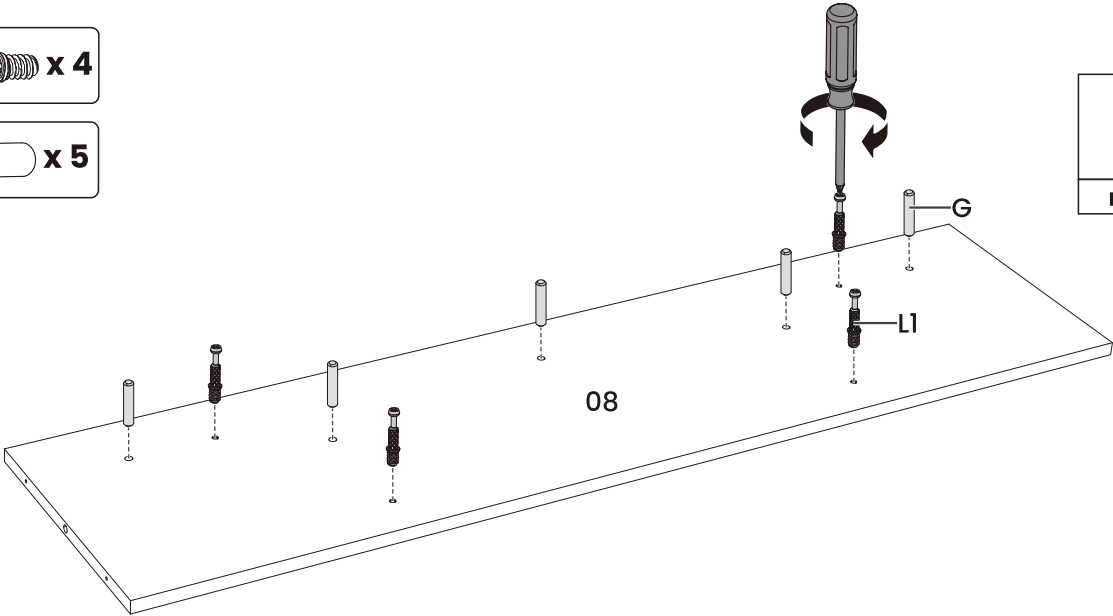
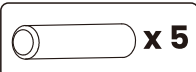
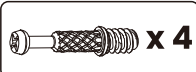


Ensure the rubber pads are attached to the frame. If any have fallen off, reattach them or use the spare rubber pads.

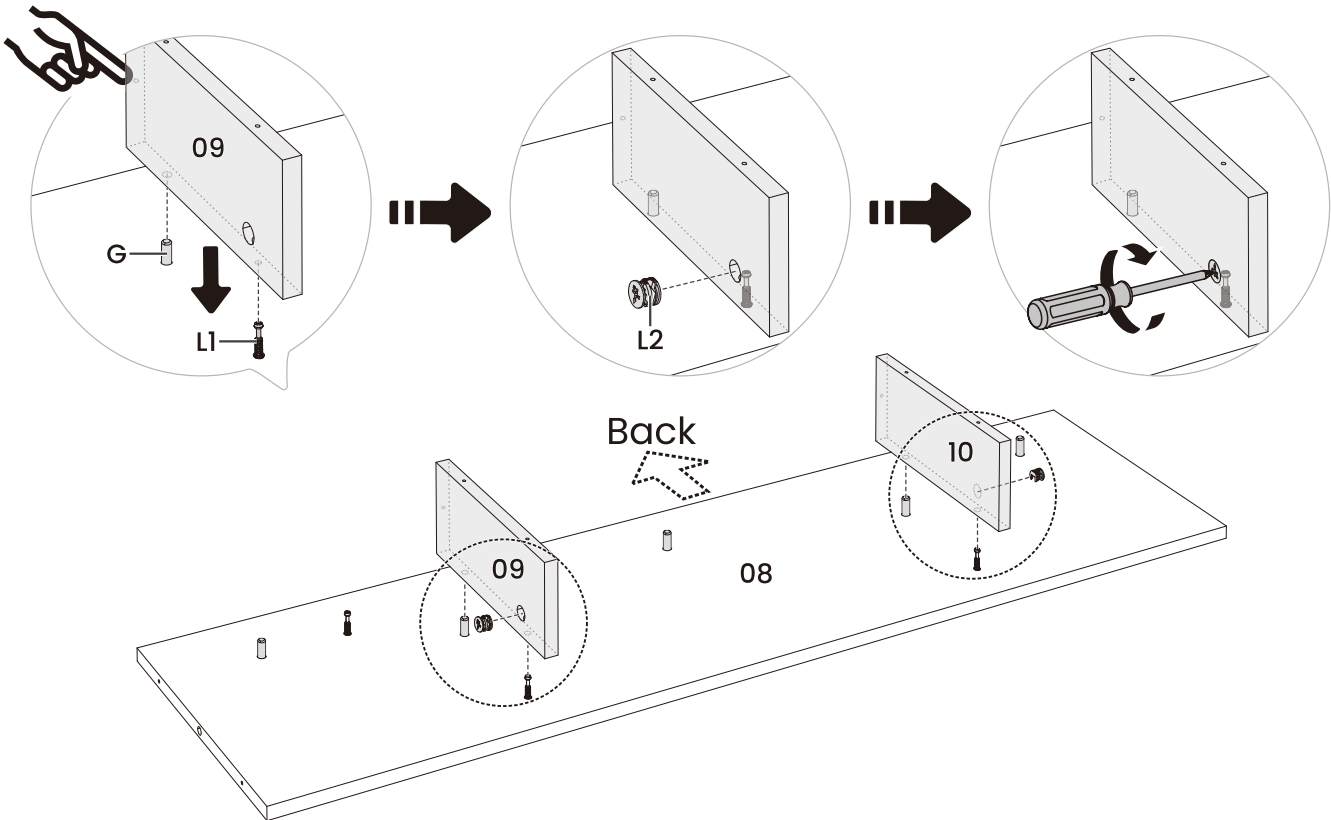


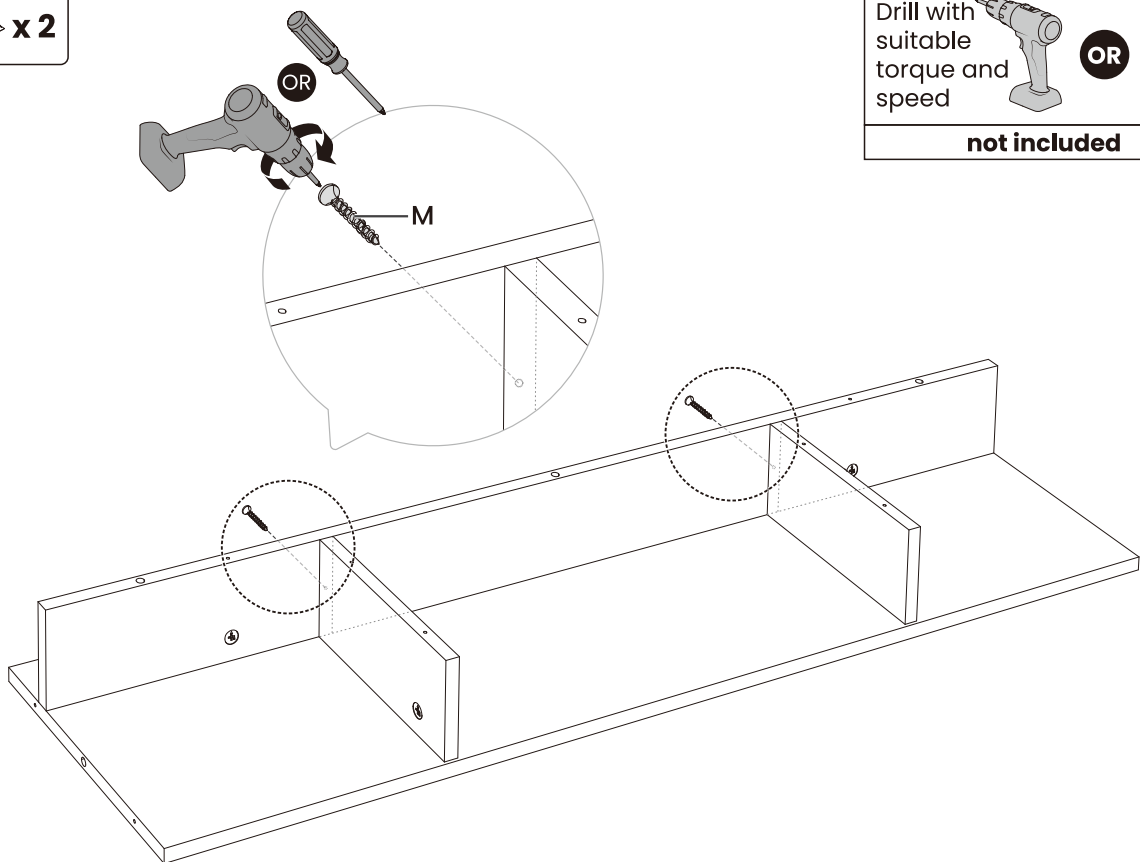
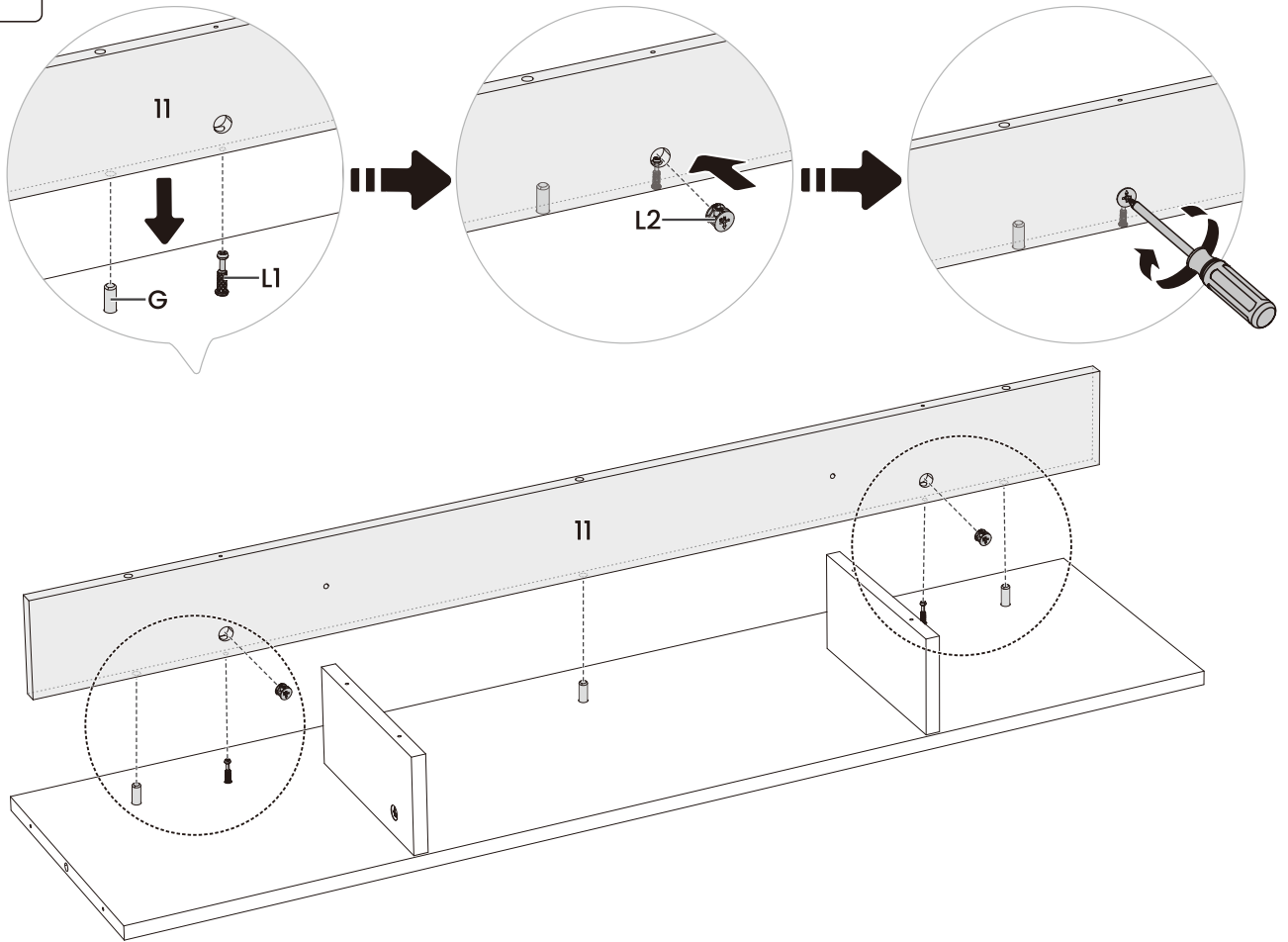
Step 2


Assembling the Top Stand



Note: These holes face the back.



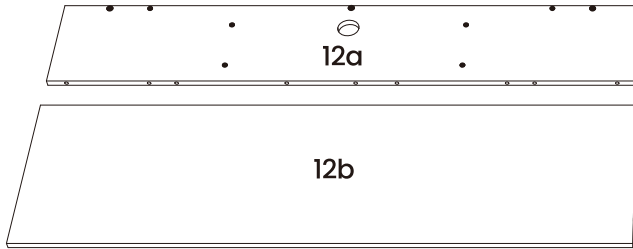


Drill with suitable torque and speed **OR** 
not included

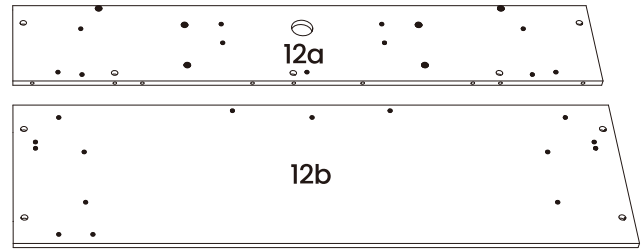
Step 3 Assembling the Desktop



Tip: ○ indicate pre-drilled hole locations.



Top



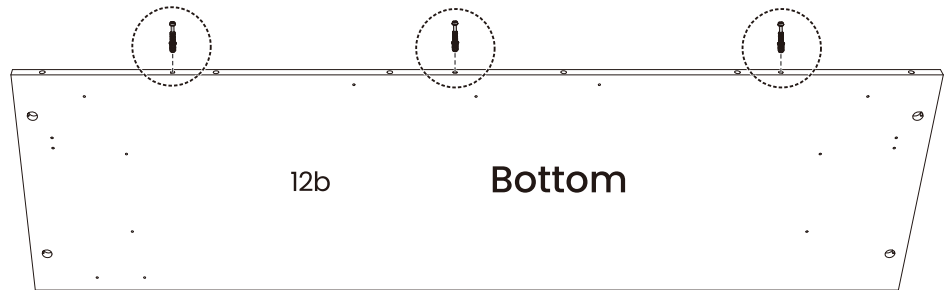
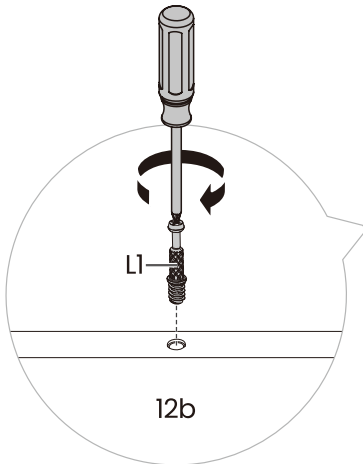
Bottom



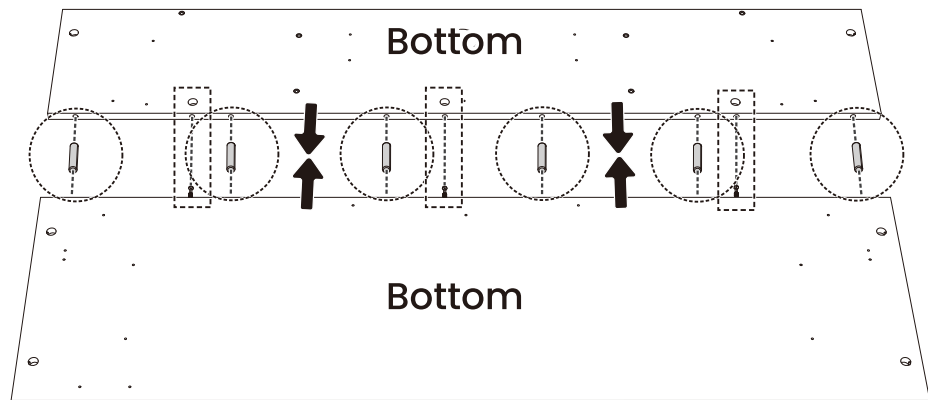
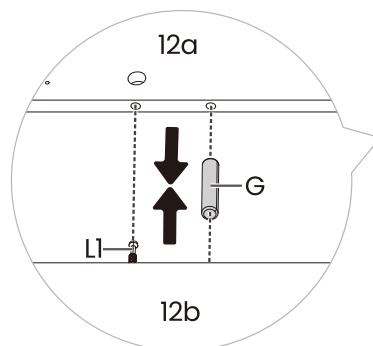
Tip: Start to thread the bolts in by hand before using a tool to tighten.

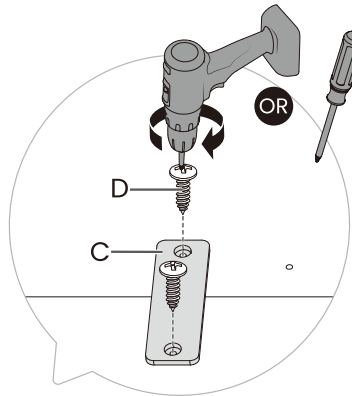
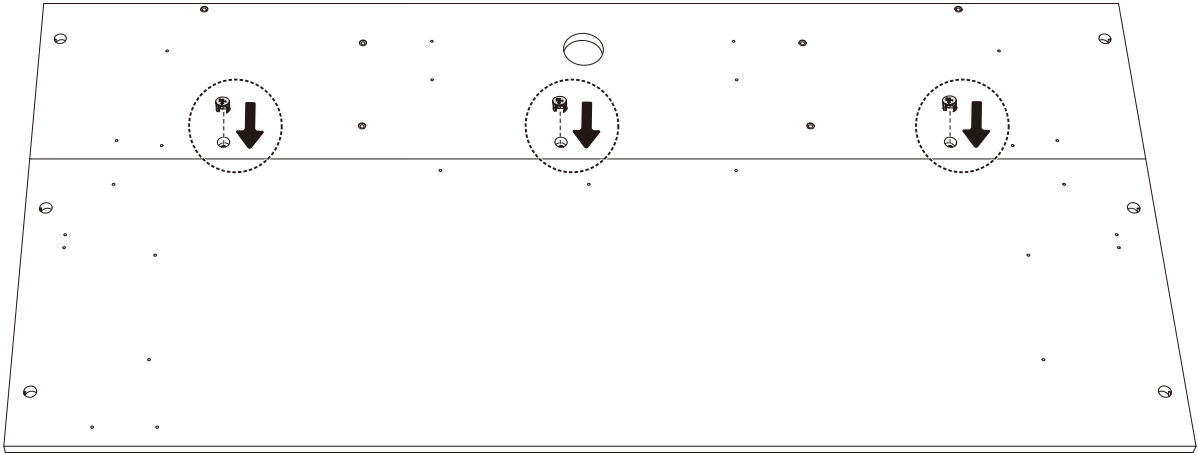
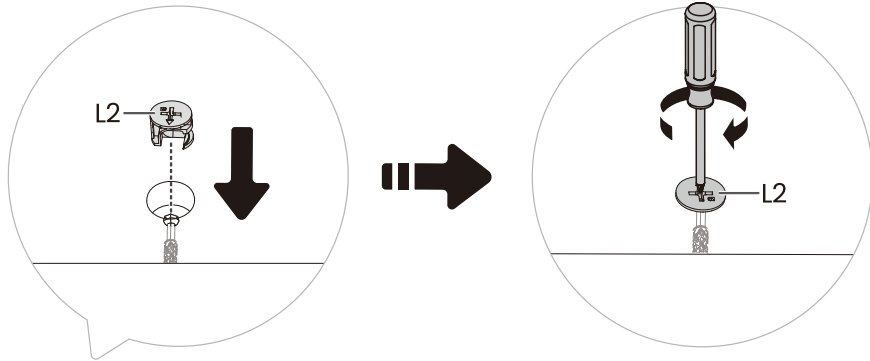



not included

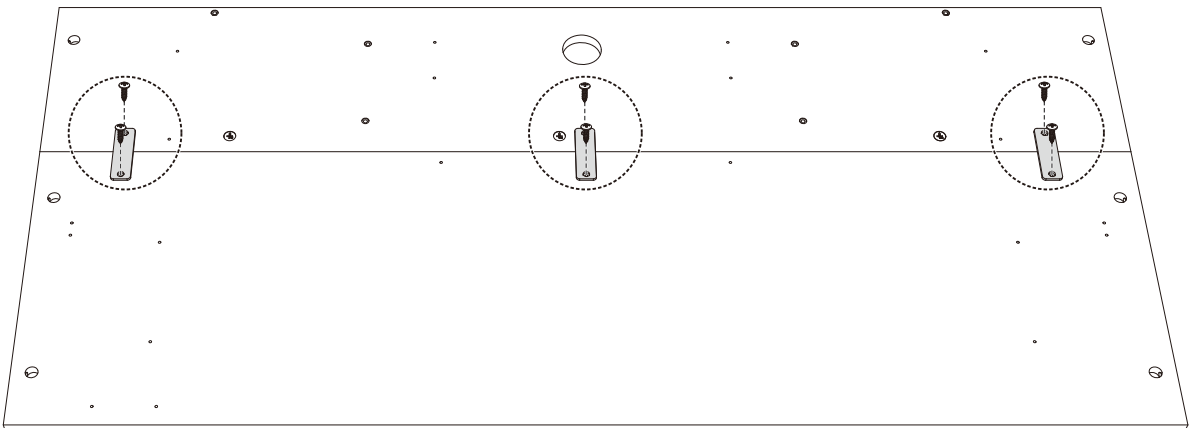


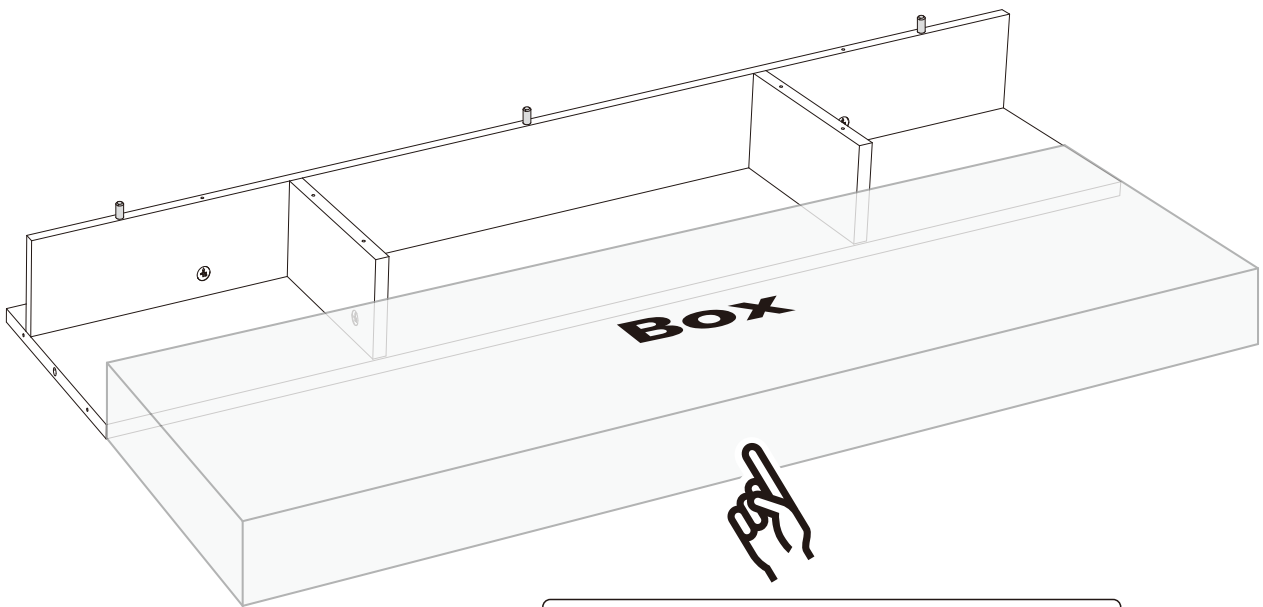
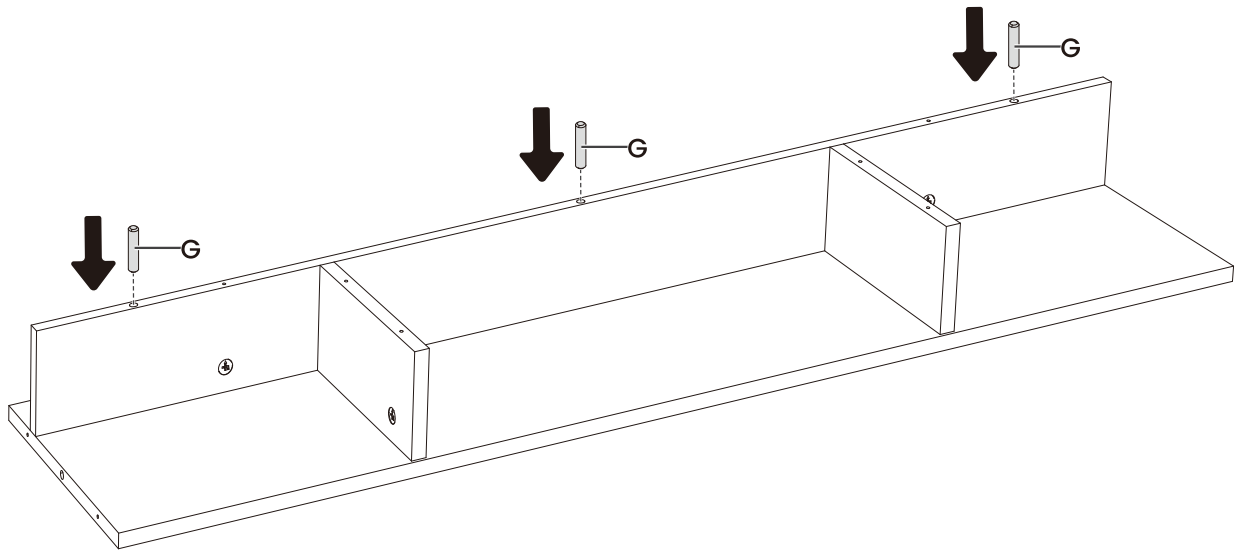
Assemble the desktop with the bottom of the panels facing up.






Drill with suitable torque and speed **OR** 
not included

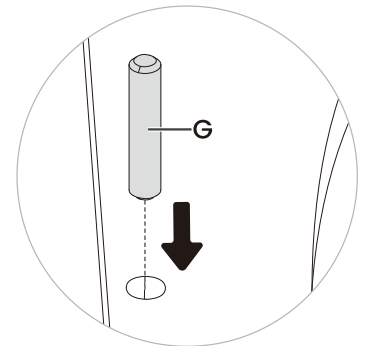
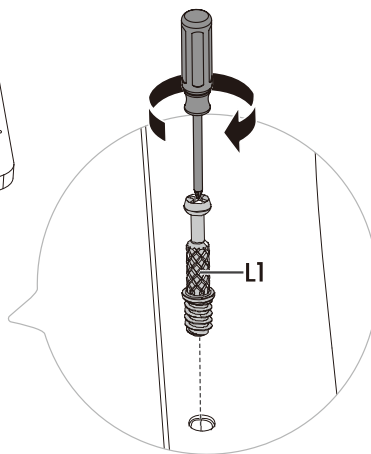
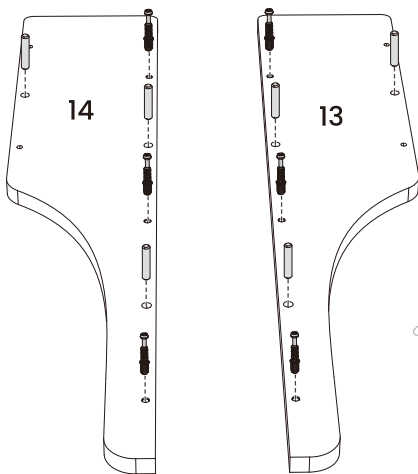
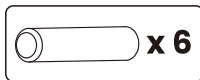
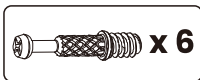
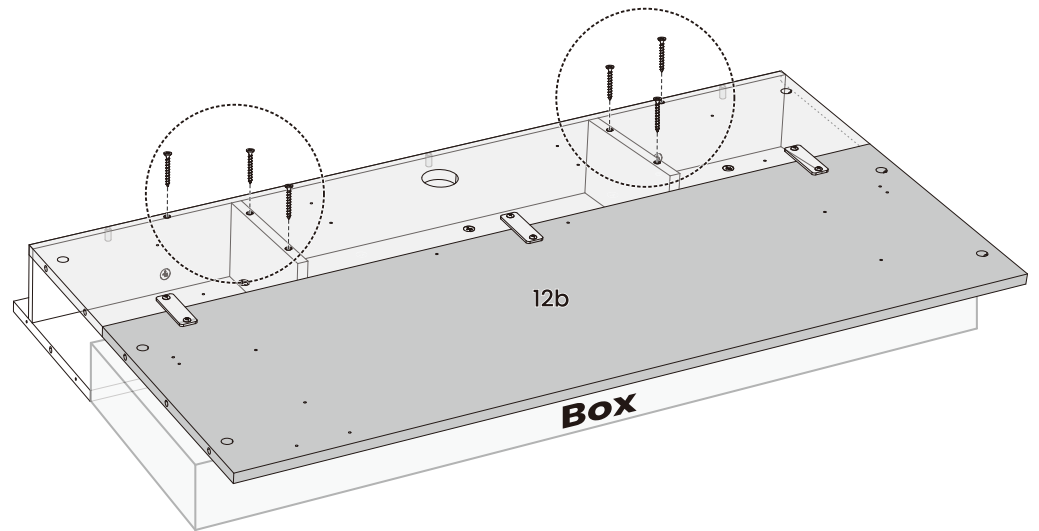
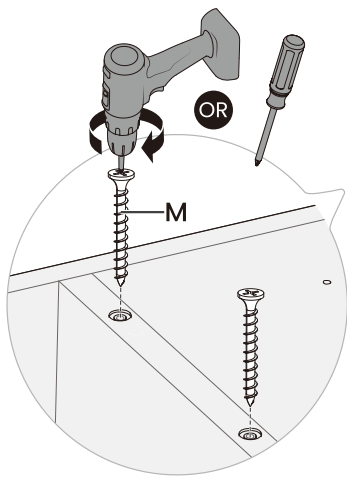
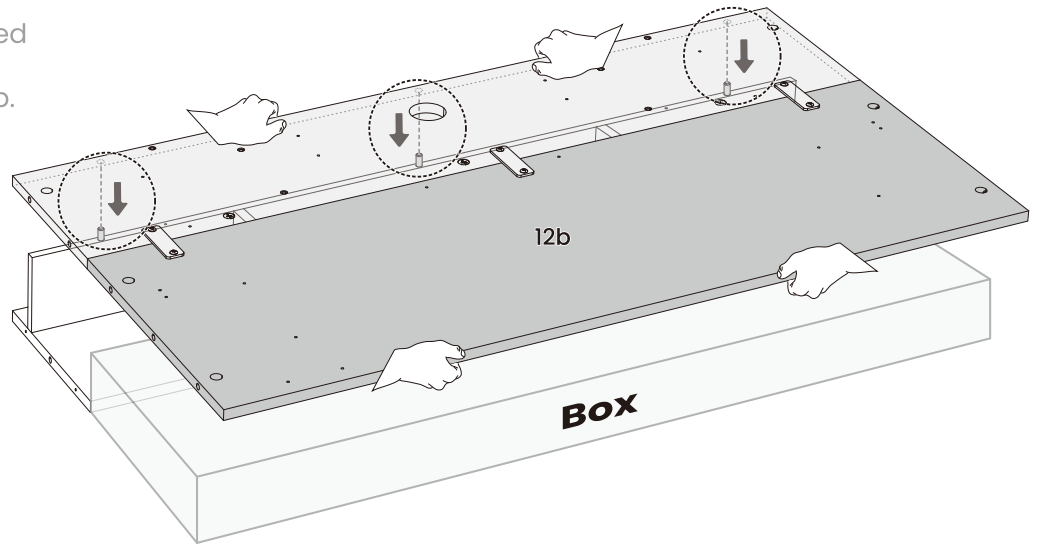
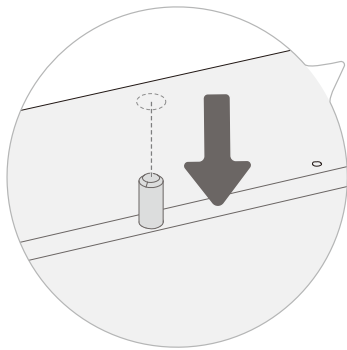


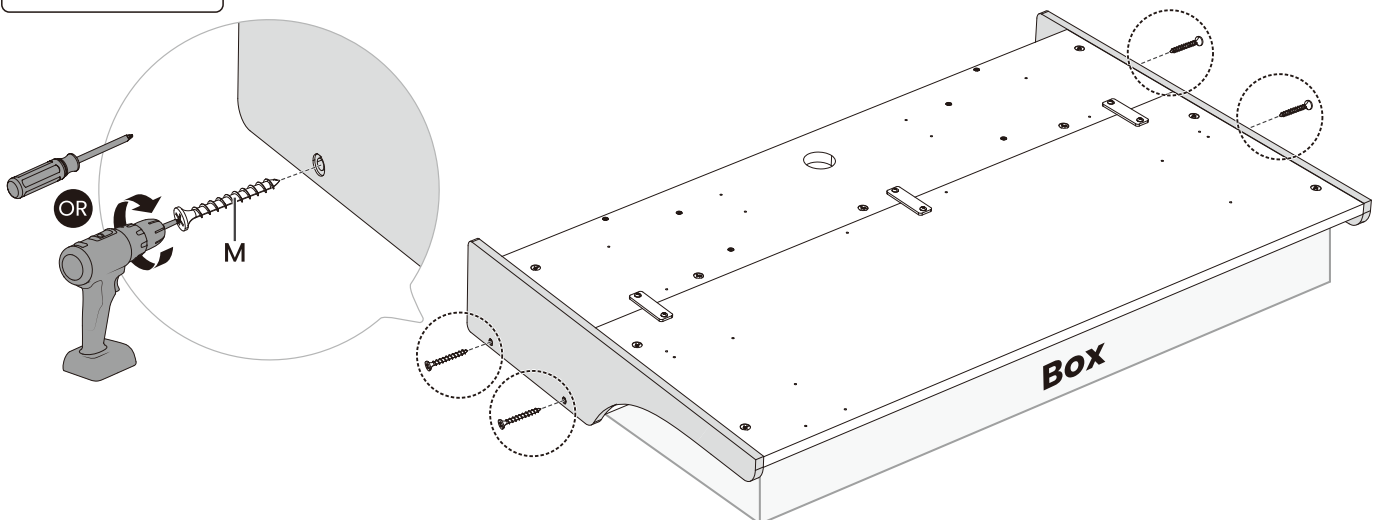
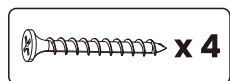
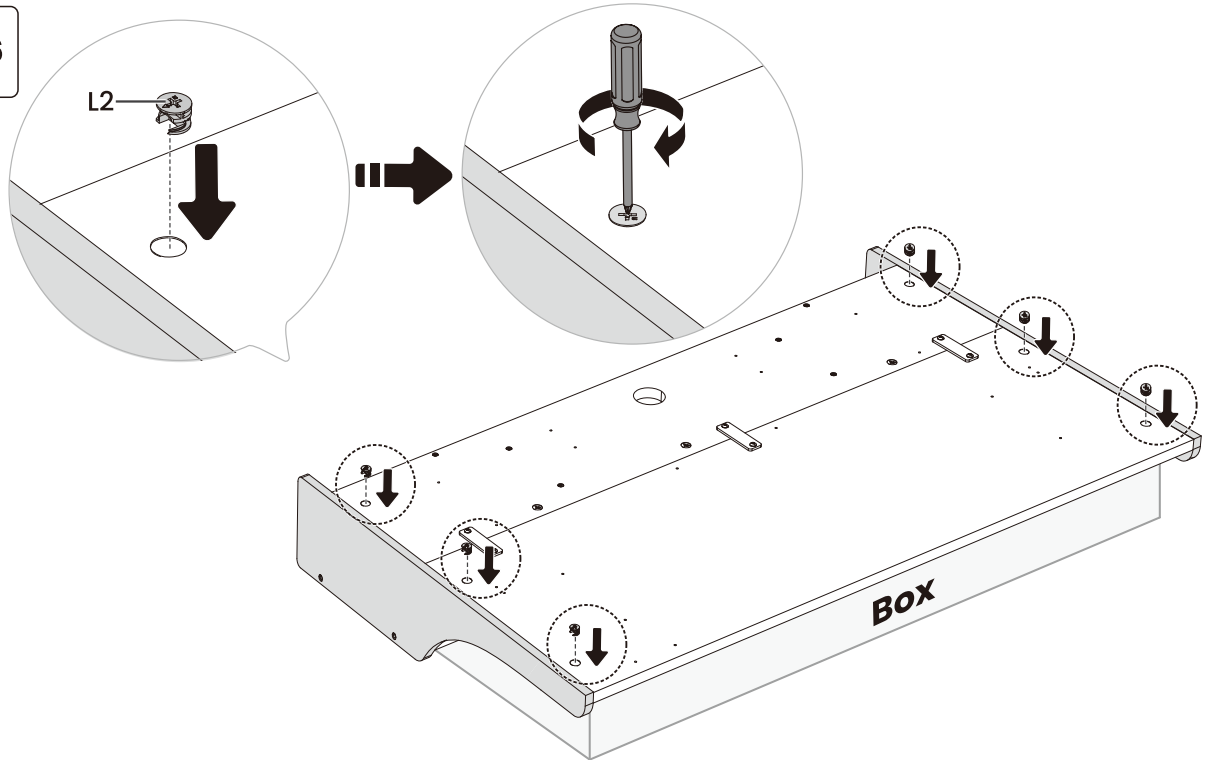
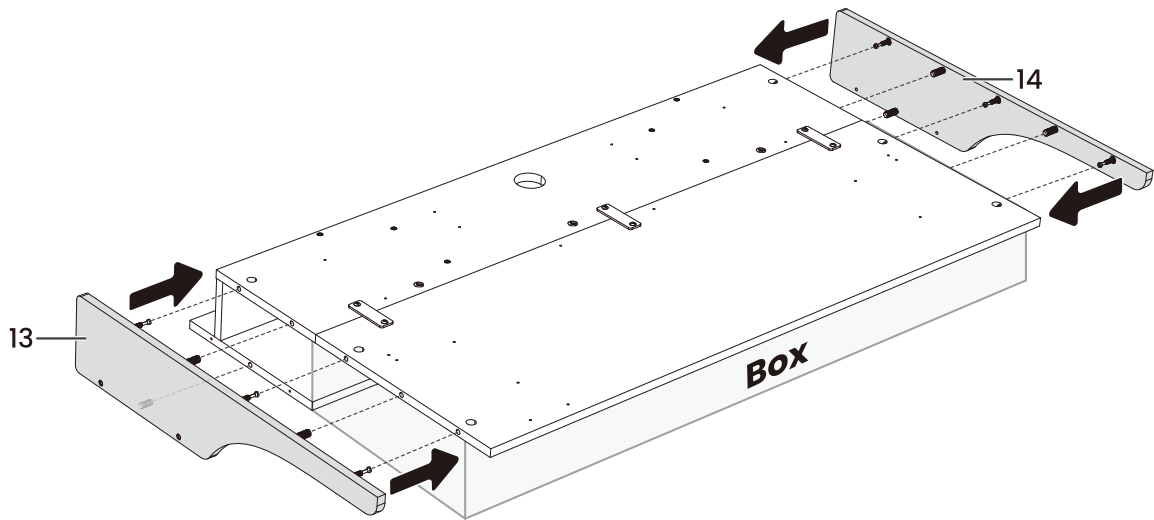


 **Tip:** Use a box to support the desktop before positioning.




You may need assistance with this step.

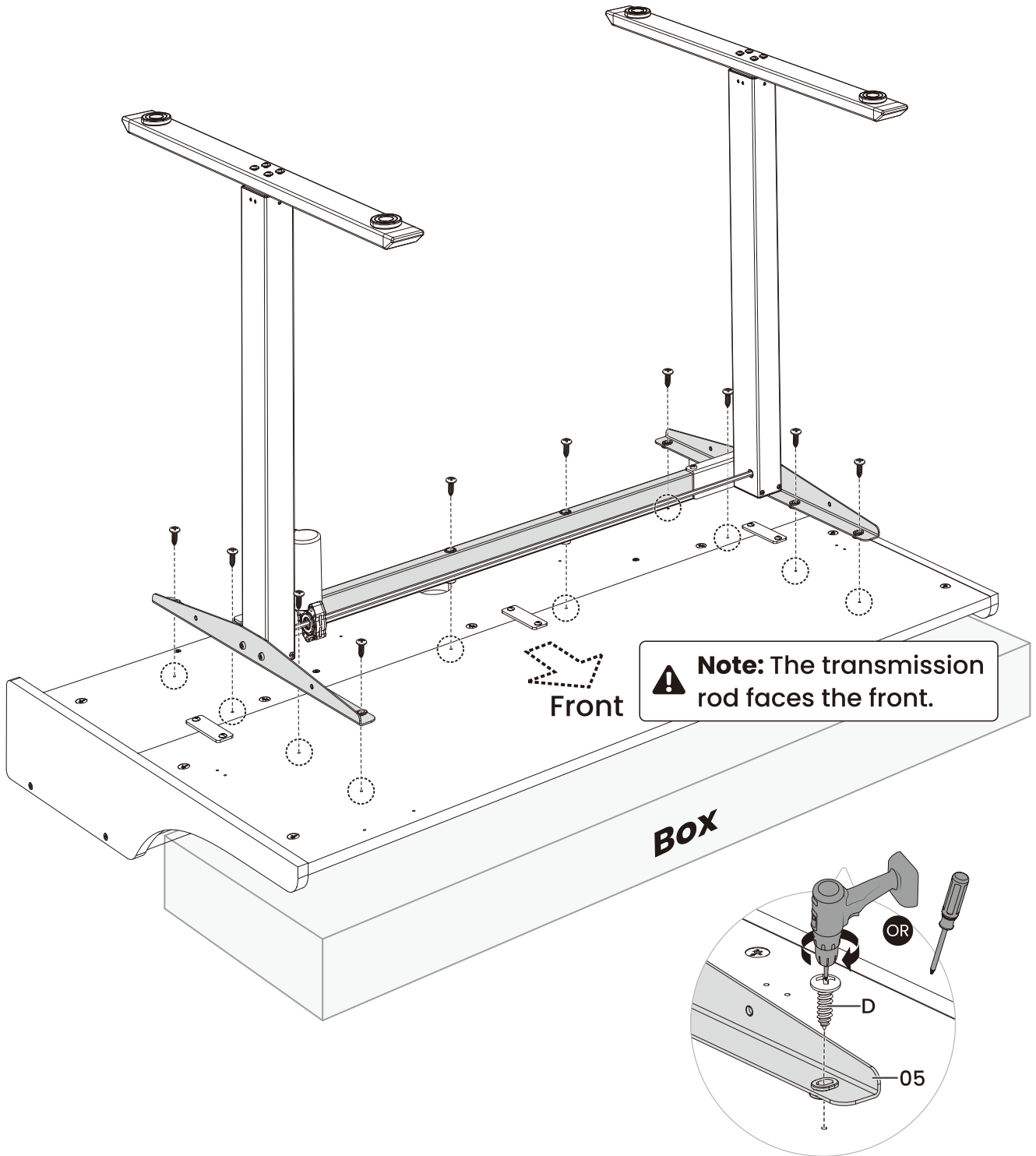




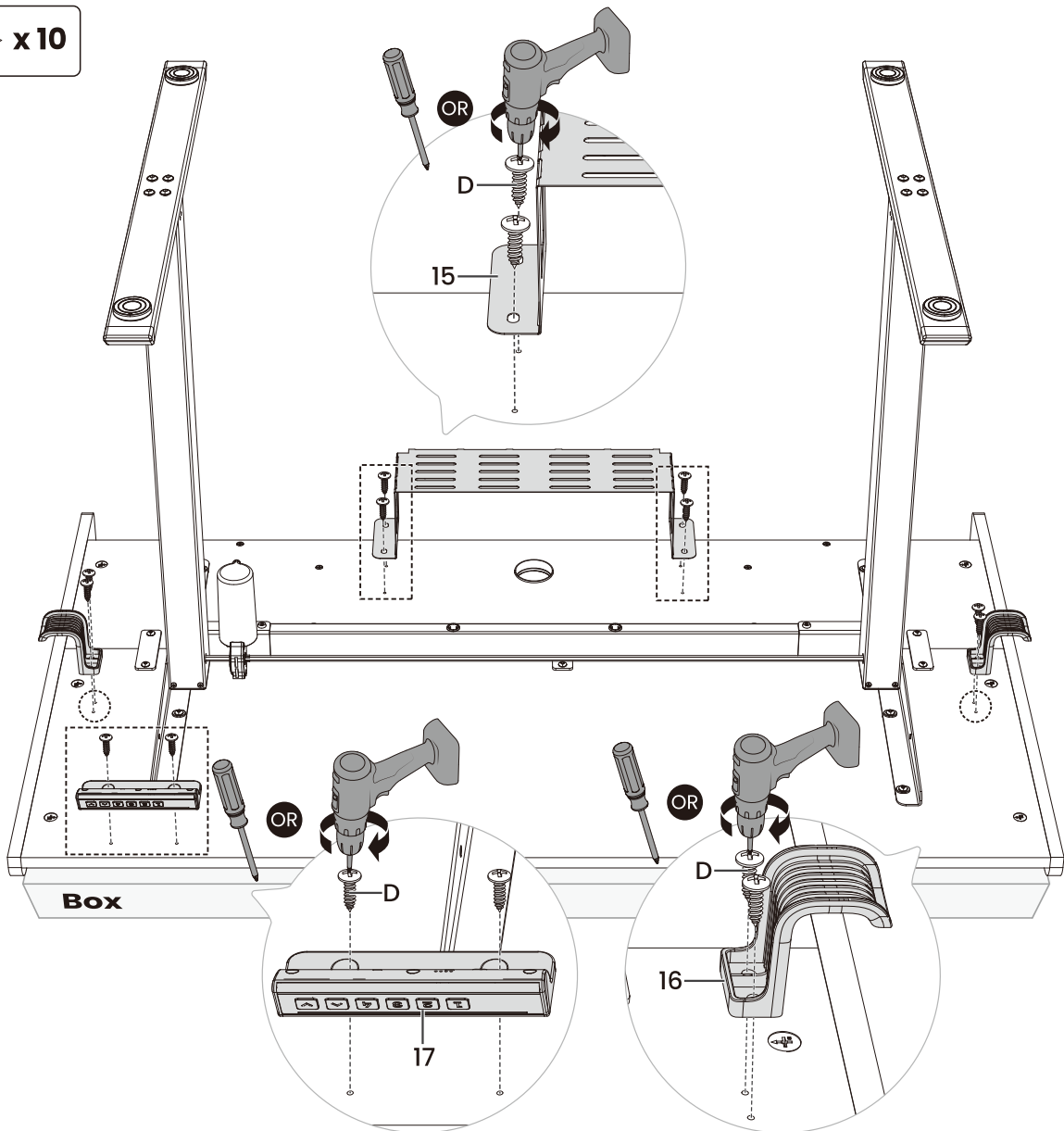
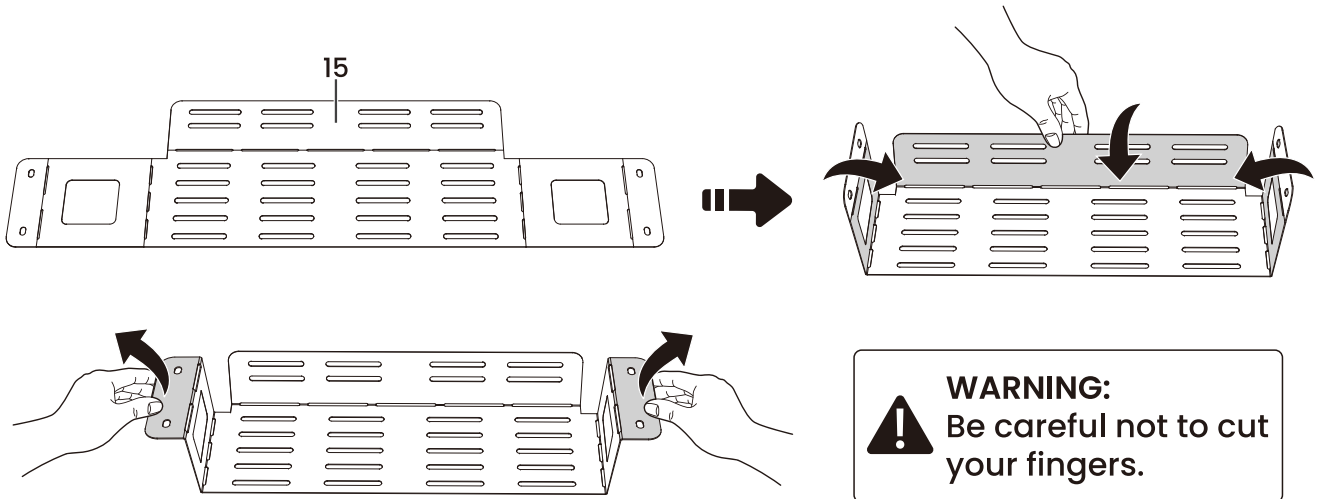
Step 4 Attaching the Frame



Drill with suitable torque and speed **OR**  **not included**



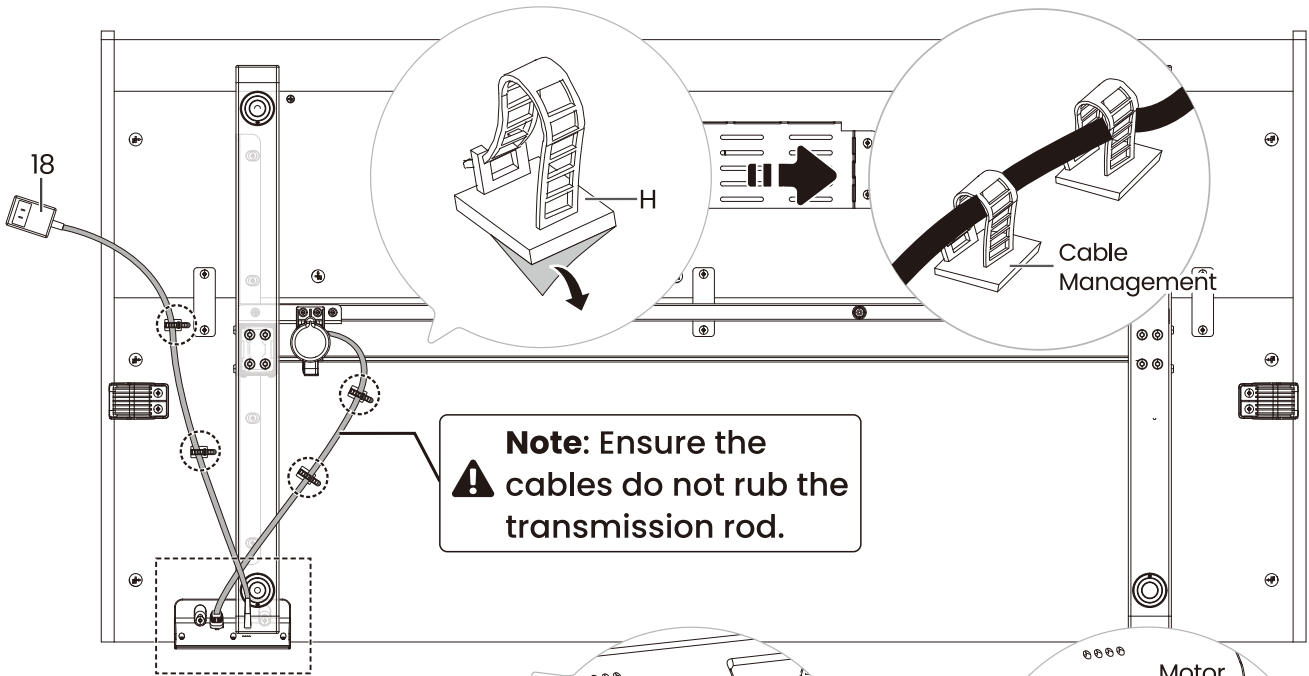
Fold the cable management tray into shape.



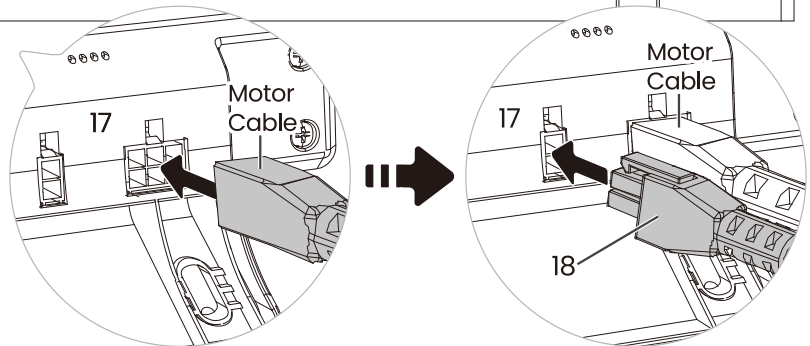
Step 5 Connecting the Cables



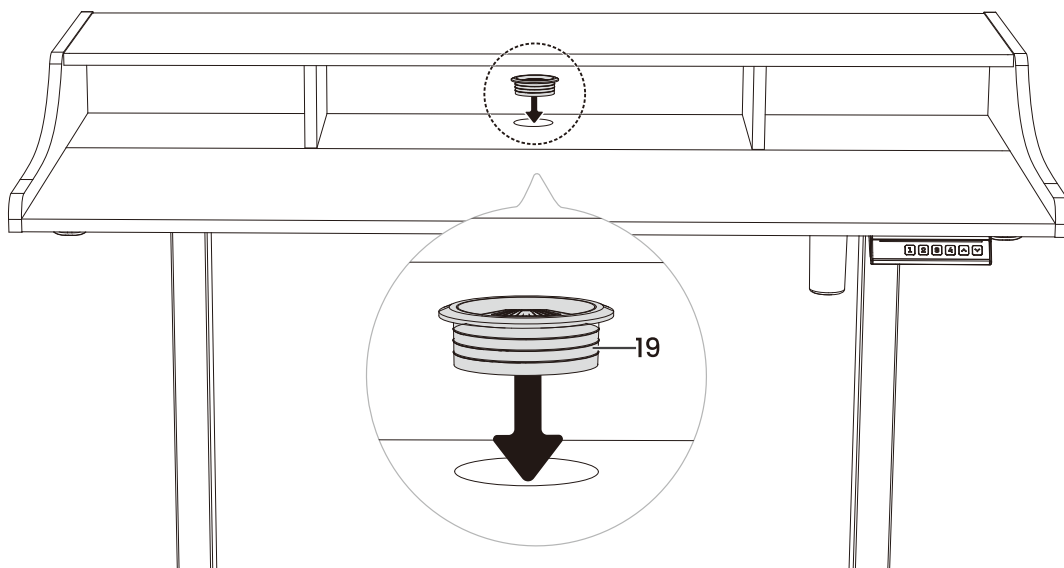
Tip: An example of a cable clip layout is indicated below. However, the cable clips can be arranged according to your needs.



Note: When flipping the desk over, do not allow the controller to collide with the ground, which could cause damage.

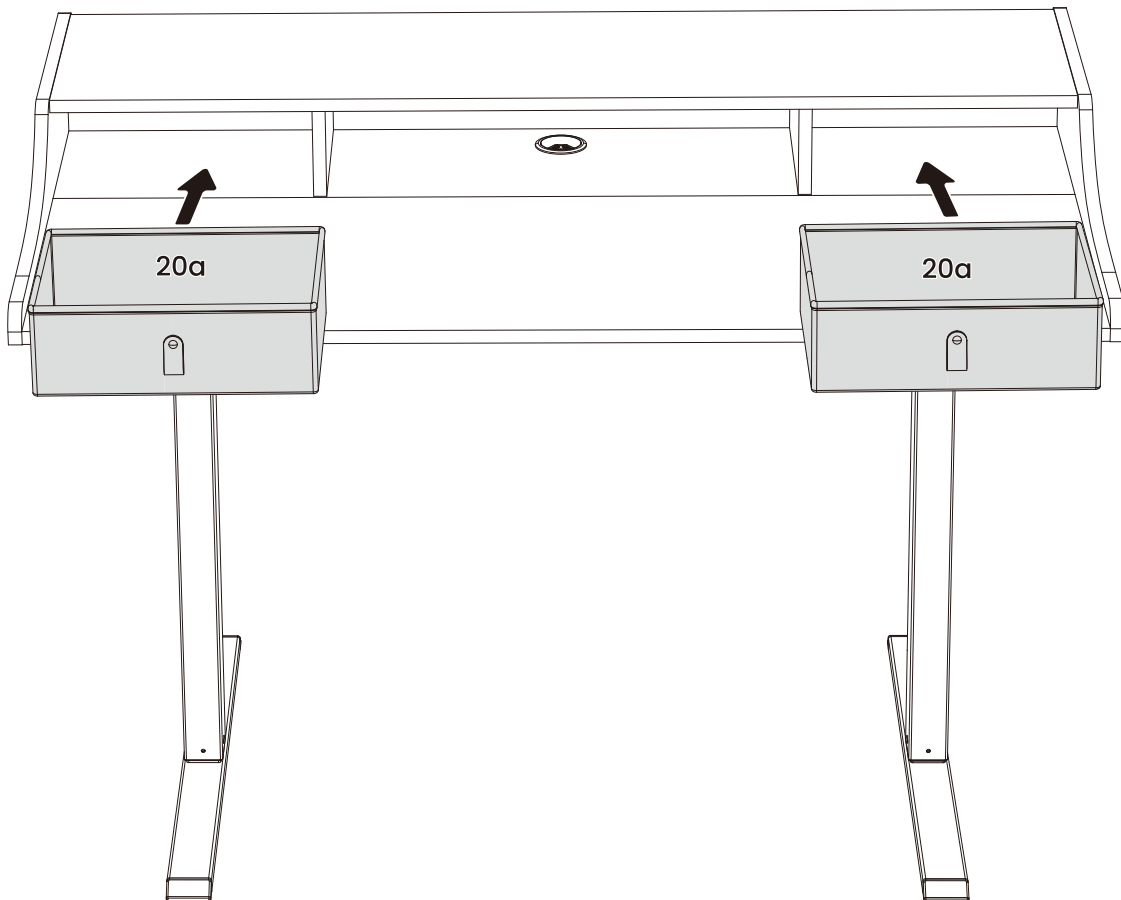
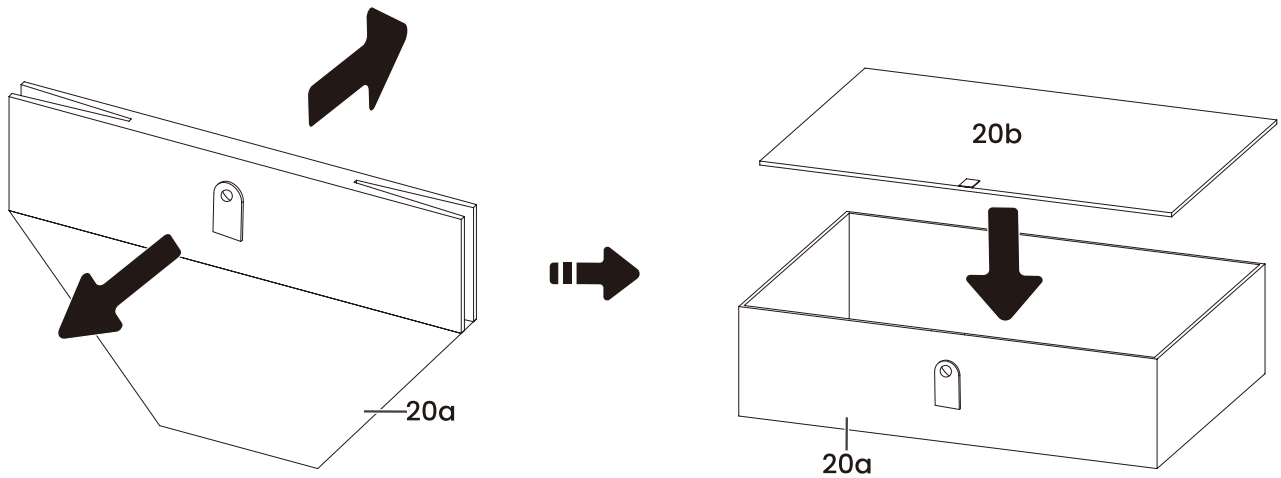


Insert the grommet cover.

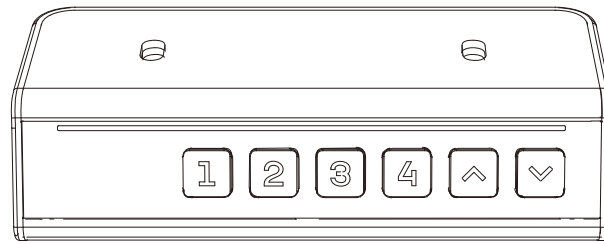


Step 6 Attaching the Drawers

Unfold the fabric drawers, then place the boards on the bottoms of the drawers.



Using the Controller



Tip: Reset before first use.

Note: Ensure that there are no obstacles when using the desk, that the desktop is not too close to the wall, and that all cables are long enough for the desk to move up and down freely. When the controller screen is off (power-saving mode), press any button to wake it before operating.

Suggestion: Set the most comfortable height when you sit down to **1** and the most comfortable height when you stand up to **2**. The other two presets can be set for another user or for other heights you want to use.

Raise the Desk

Press the  button to raise the desk continuously until it reaches the highest position of 46.8" (119cm) or the button is released.

Lower the Desk

Press the  button to lower the desk continuously until it reaches the lowest position of 27.9" (71cm) or the button is released.

Save Height Settings

Four heights can be stored. Press and hold the **1** / **2** / **3** / **4** button for 3 seconds. The digital number will flash three times and the current height will be stored to that button.

Select Height Setting 1

Press the **1** button. The desk will move to the height that was previously set for that button. Press any button to stop the desk.

Select Height Setting 2

Press the **2** button. The desk will move to the height that was previously set for that button. Press any button to stop the desk.






















Select Height Setting 3

Press the **3** button. The desk will move to the height that was previously set for that button. Press any button to stop the desk.

Select Height Setting 4

Press the **4** button. The desk will move to the height that was previously set for that button. Press any button to stop the desk.

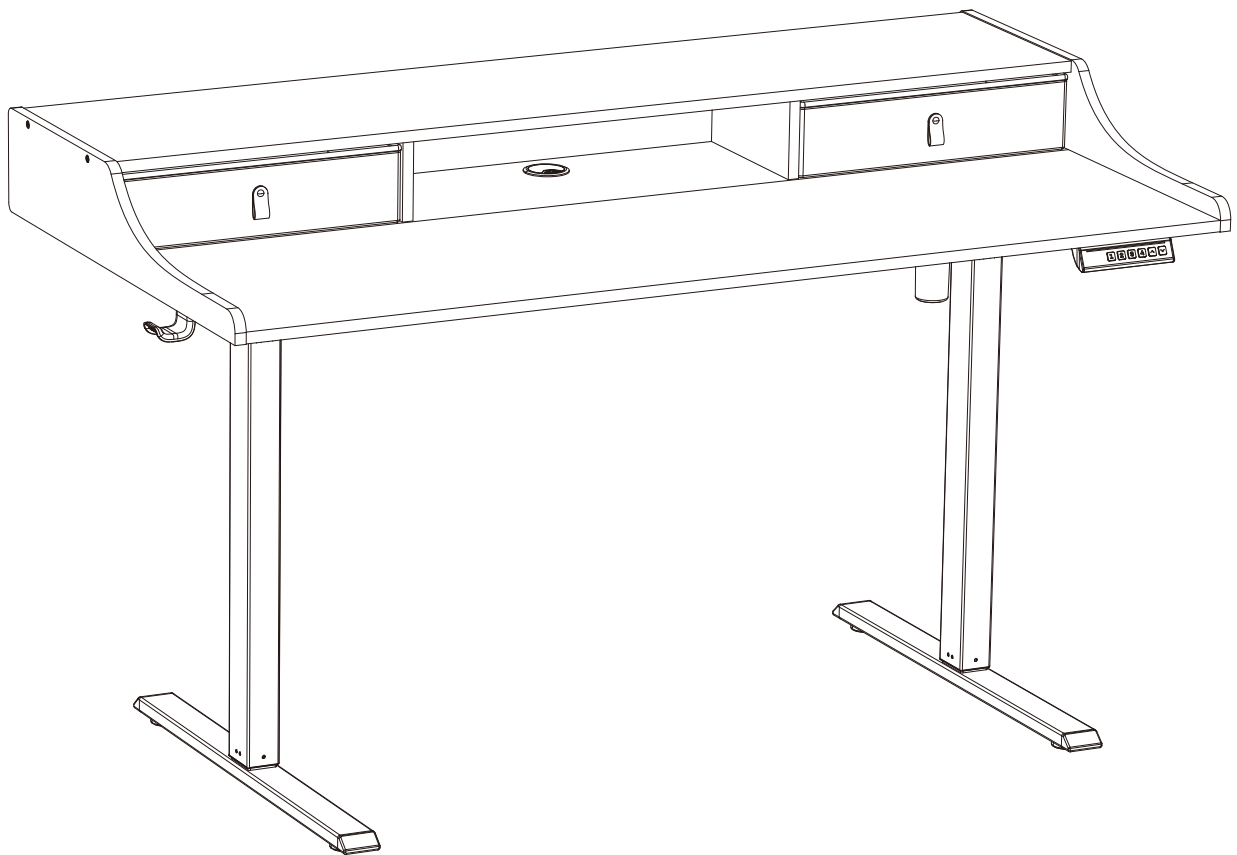
Settings

Reset	<ol style="list-style-type: none"> 1. Press and hold the  button until the desk goes down to its lowest level, then release the button. 2. Press and hold the  button for 5 seconds until the screen displays 'RST,' then release the button with 'RST' flashing. 3. Press and hold it again until the desk goes down to its lowest level and comes back up slightly. The screen will display current height again, then reset is complete. <p>Note: It is recommended that you remove all items from the desktop before performing a reset.</p>
'RST' displays as  on the screen.	
Lock/Unlock	<p>Press and hold  and  buttons together for 3 seconds to turn the lock on. The screen will display 'LOC' and the buttons will be disabled. Repeat to turn the lock off again.</p>
Change Display Height Units	<p>Press and hold  and  buttons together for 3 seconds to switch the display height unit. The default unit is imperial.</p>
Change Collision Detection Sensitivity	<ol style="list-style-type: none"> 1. Press and hold  and  buttons together for 3 seconds. 'S02' will flash on the screen. The last digit displayed is the current sensitivity level and the value range is 0–3 (0: off; 1–3: highest to lowest). 2. Select other levels by pressing  or  button, then press and hold  and  buttons together for 3 seconds. The digits will stop flashing and the screen will display current height again. <p>Note: Sensitivity is preset to Normal by the factory. However, sensitivity may be adjusted if needed.</p>
Set/Clear Lowest Limit	<ol style="list-style-type: none"> 1. To set the lowest height limit, press and hold  and  buttons together for 3 seconds. The screen will display '-dO.' Whenever the desk reaches the lowest limit, the screen will display '-LO.' 2. To clear the lowest height limit, move the desk down to the lowest height (screen displays '-LO'), then press  and  buttons together for 3 seconds. '-dO' will flash on the screen and the limit will be cleared.
Set/Clear Highest Limit	<ol style="list-style-type: none"> 1. To set the highest height limit, press and hold  and  buttons together for 3 seconds. The screen will display '-UP.' Whenever the desk reaches the highest limit, the screen will display '-HI.' 2. To clear the highest height limit, move the desk up to the highest level (screen displays '-HI'), then press  and  buttons together for 3 seconds. '-UP' will flash on the screen and the limit will be cleared.

Troubleshooting

1. Please try resetting the desk if you have any issues including the following:
 - Abnormal operation.
 - The controller screen displays 'RST' (reset).
 - The controller screen displays error message E01-E08, but the motor cable is correctly connected.
2. If the controller screen displays 'HOT,' please wait 20 minutes for the motor to cool down before making any further height adjustment.

Thank you for choosing this product!



 877-201-4016 Mon-Fri 8am - 8pm (CST)

 help_service_center@outlook.com