

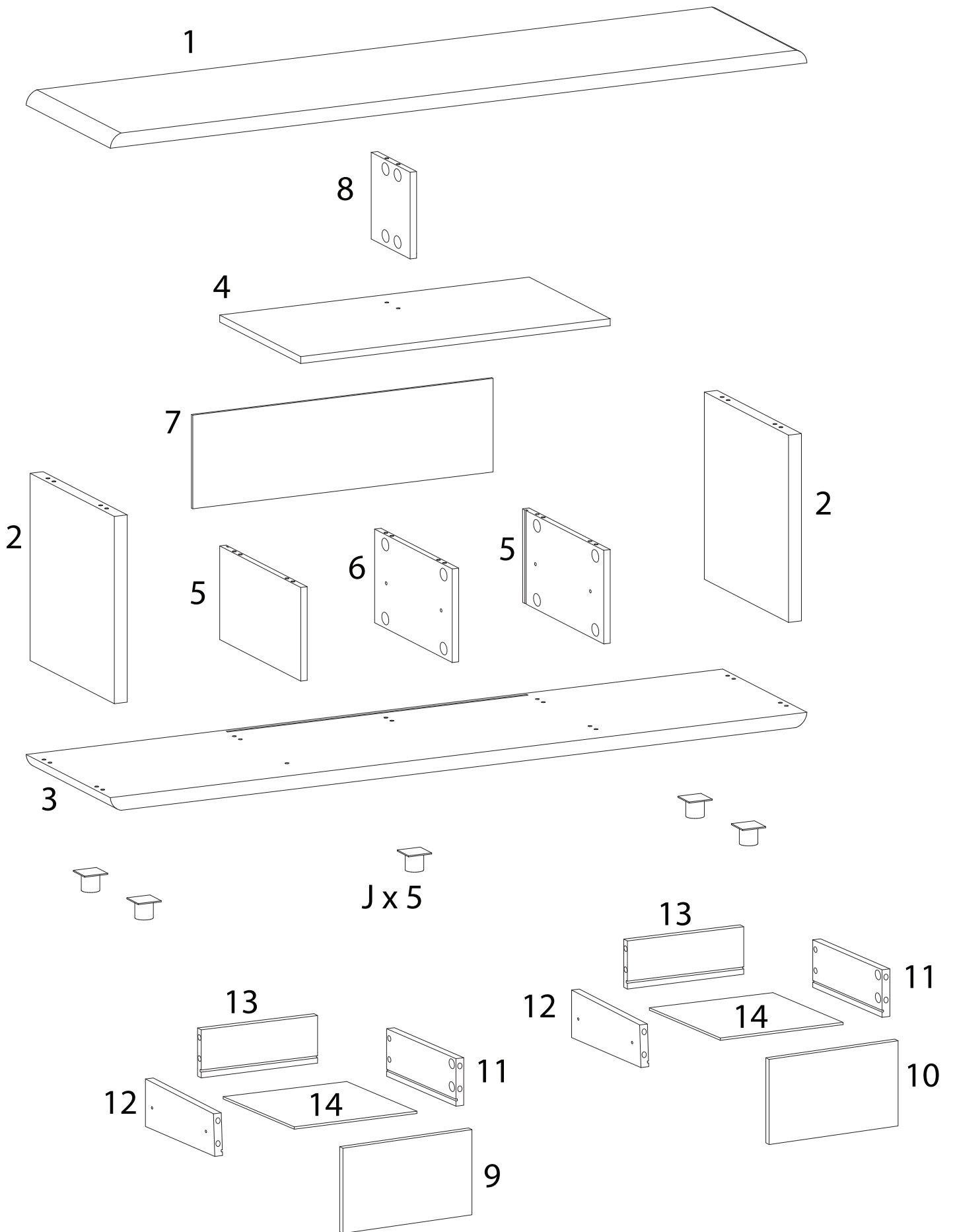
Assembly instructions for the TV stand, including tool requirements, estimated time, and personnel needed.

Tools: A circular icon contains a screwdriver and a hex key. A power drill is shown with a diagonal line through it, indicating it is not required.

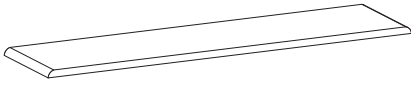
Estimated Time: A clock icon is shown next to the text "60'", indicating the estimated assembly time is 60 minutes.

Personnel: A stick figure icon is shown next to the number "2", indicating that two people are required for assembly.

Warnings: Two warning triangles (exclamation marks) are present. The top one is connected to the tool requirements, and the bottom one is connected to the personnel requirement.



1



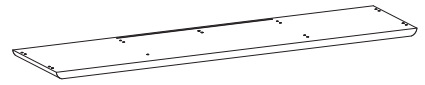
x 1

2



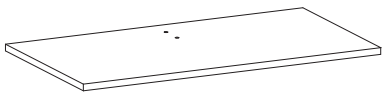
x 2

3



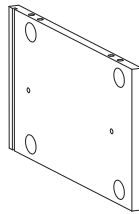
x 1

4



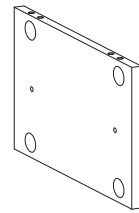
x 1

5



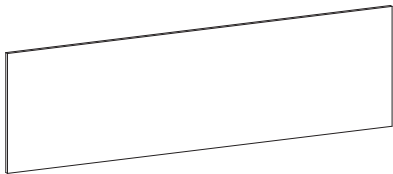
x 2

6



x 1

7



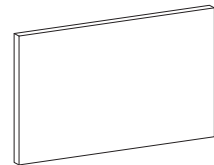
x 1

8



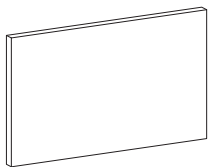
x 1

9



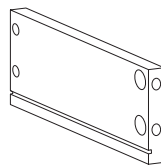
x 1

10



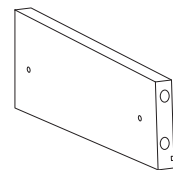
x 1

11



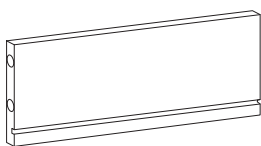
x 2

12



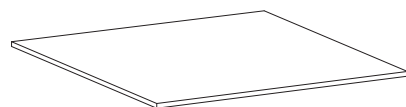
x 2

13



x 2

14



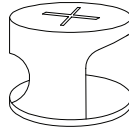
x 2

A1



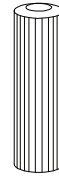
x 32

A2



x 32

B



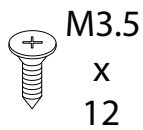
x 20

C



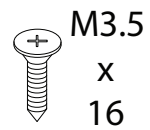
x 4

D



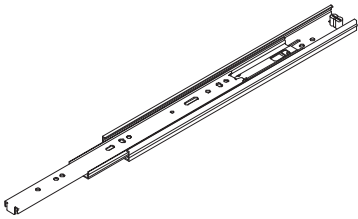
x 16

E



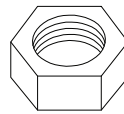
x 20

F



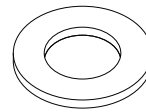
x 4

G



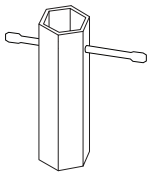
x 4

H



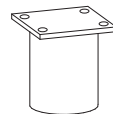
x 4

I



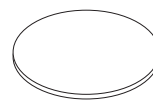
x 1

J



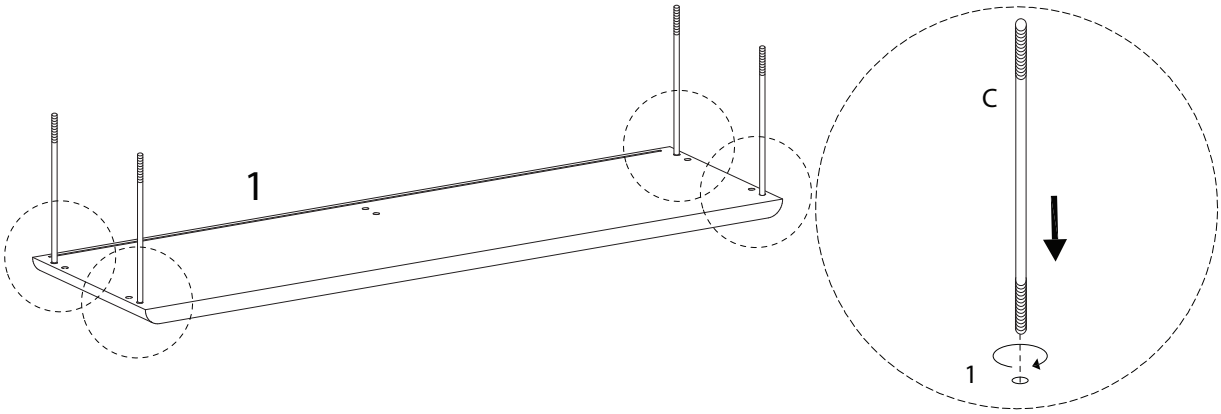
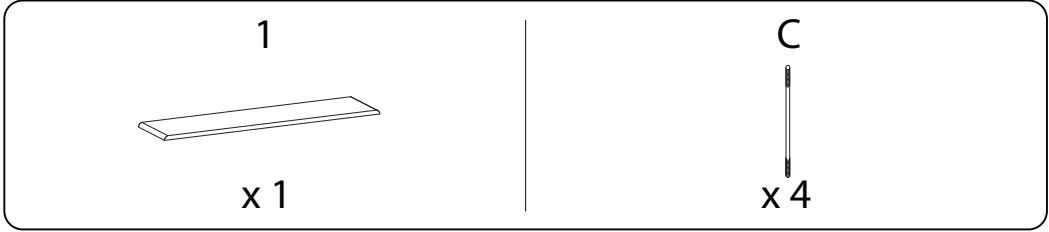
x 5

K

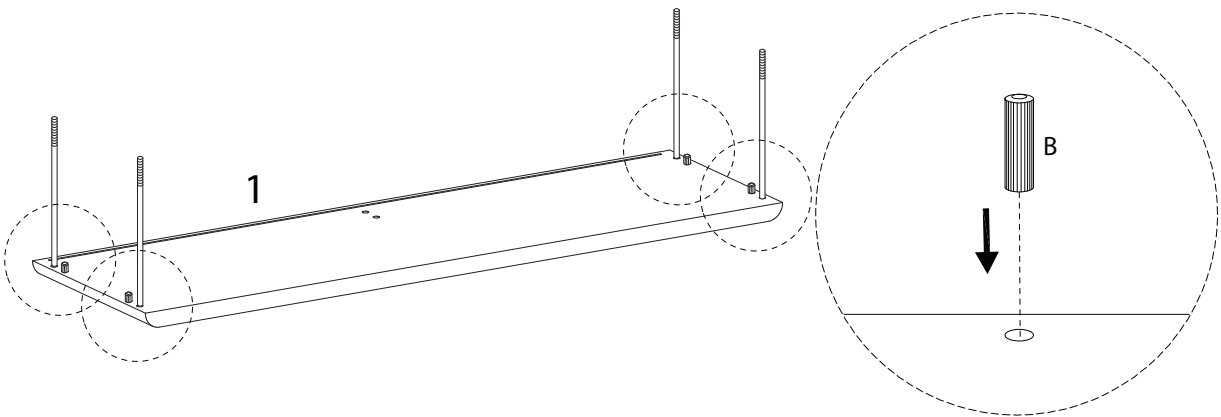
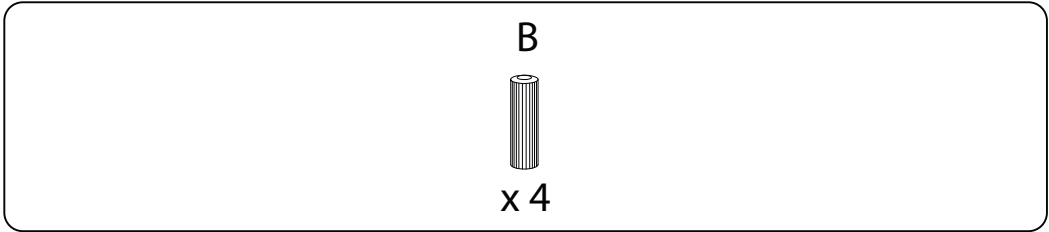


x 4

1

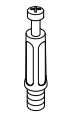


2

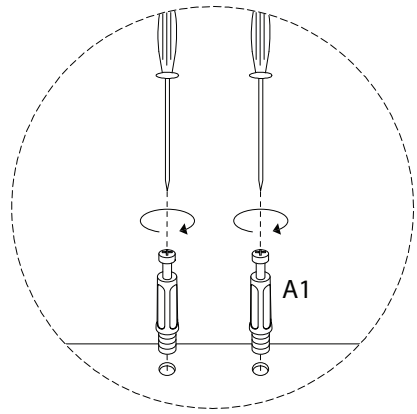
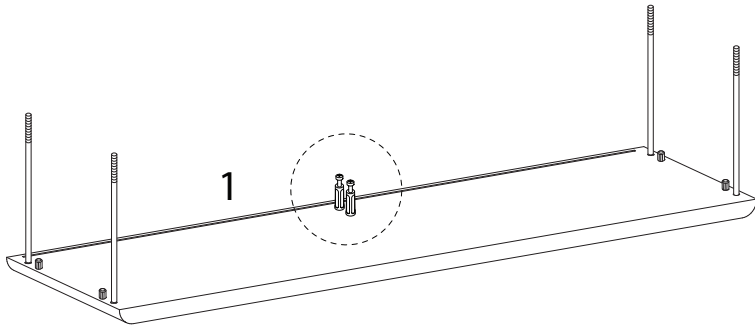


3

A1



x 2



4

3



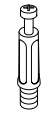
x 1

4



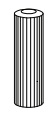
x 1

A1

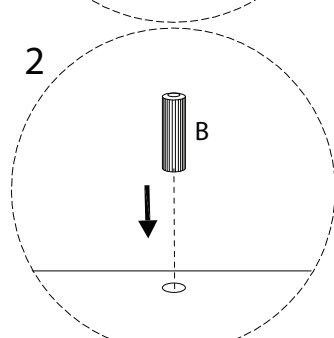
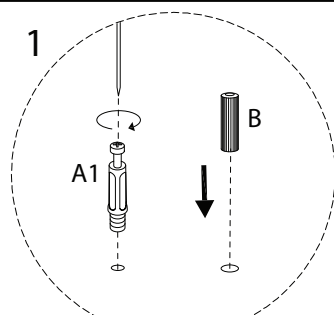
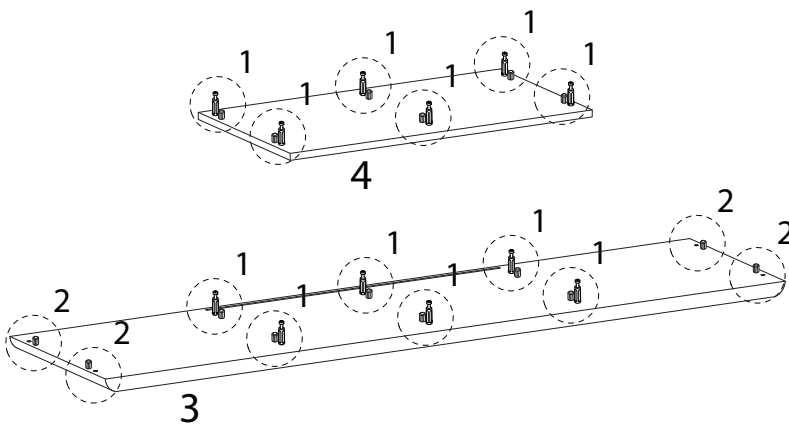


x 12

B

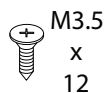


x 16



7

D

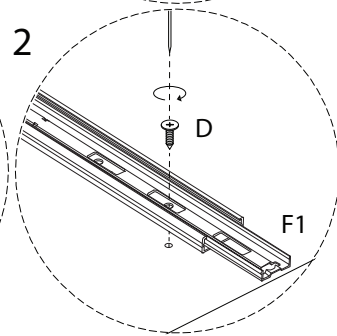
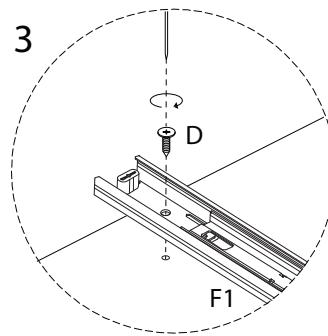
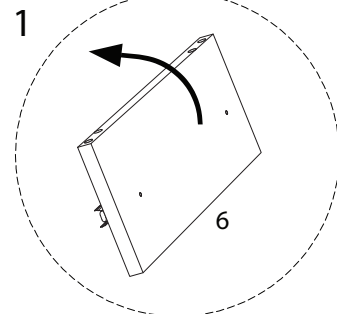
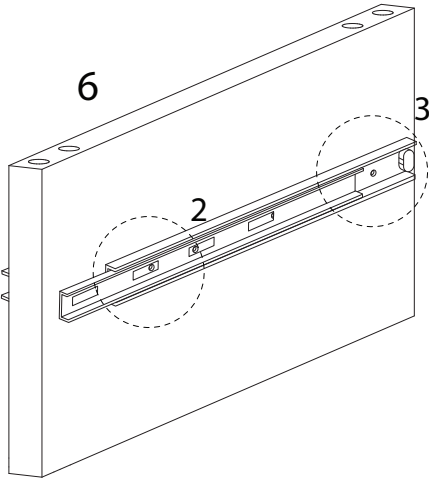


x 2

F1



x 1

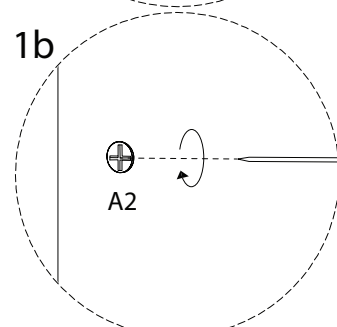
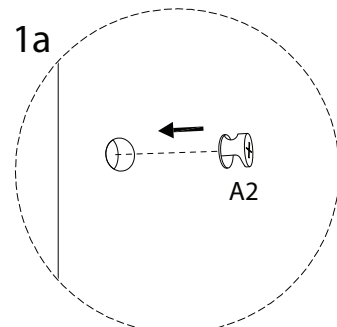
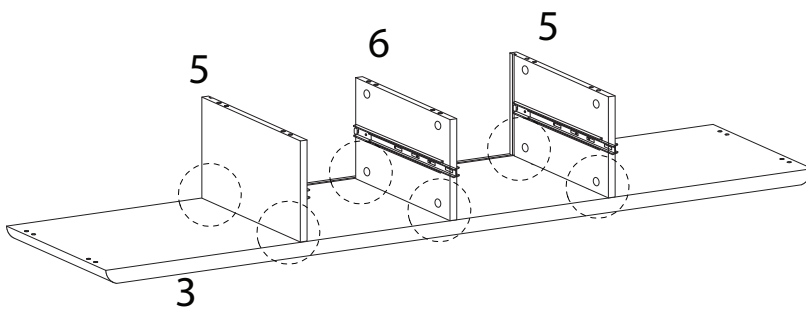


8

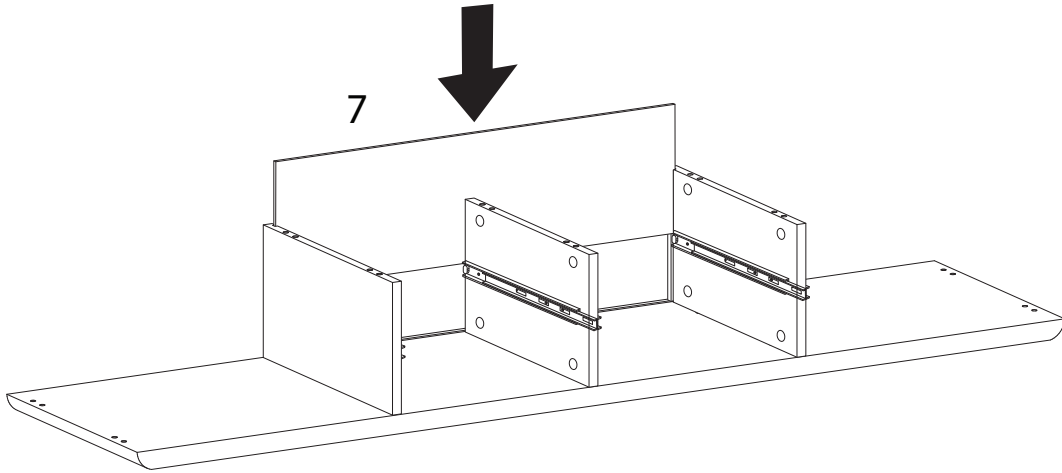
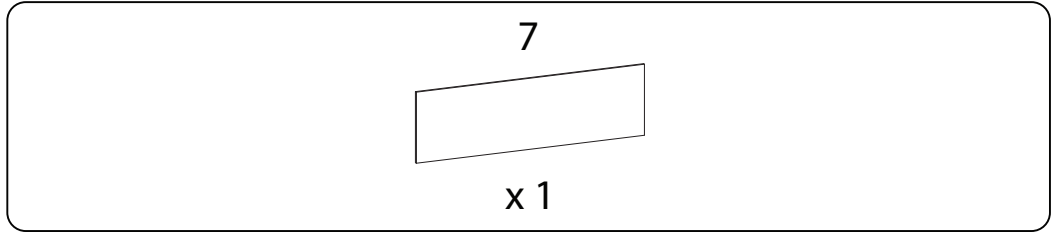
A2



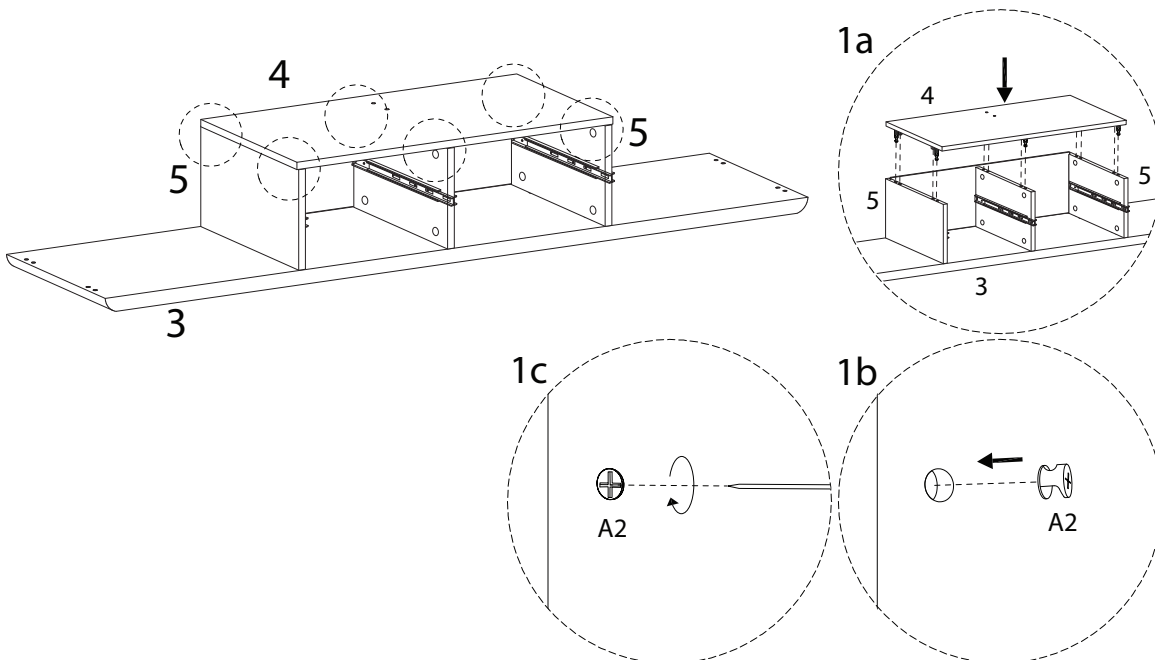
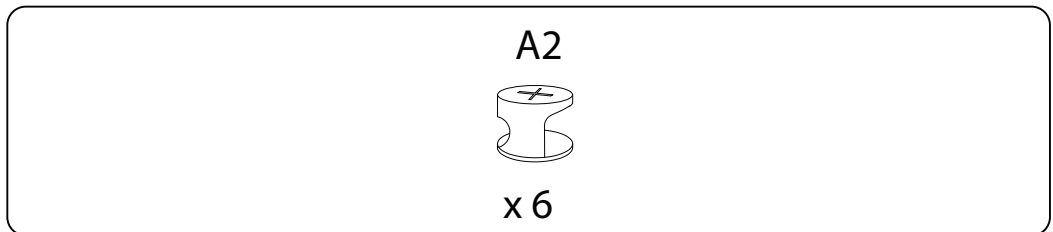
x 6



9



10

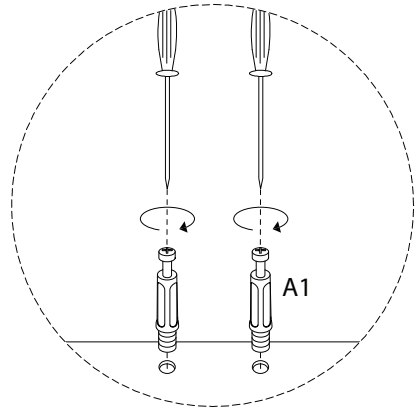
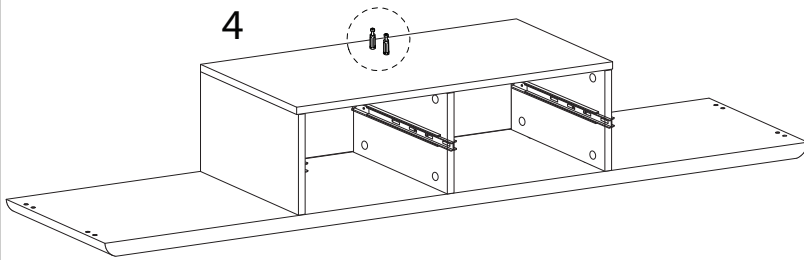


11

A1



x 2



12

2

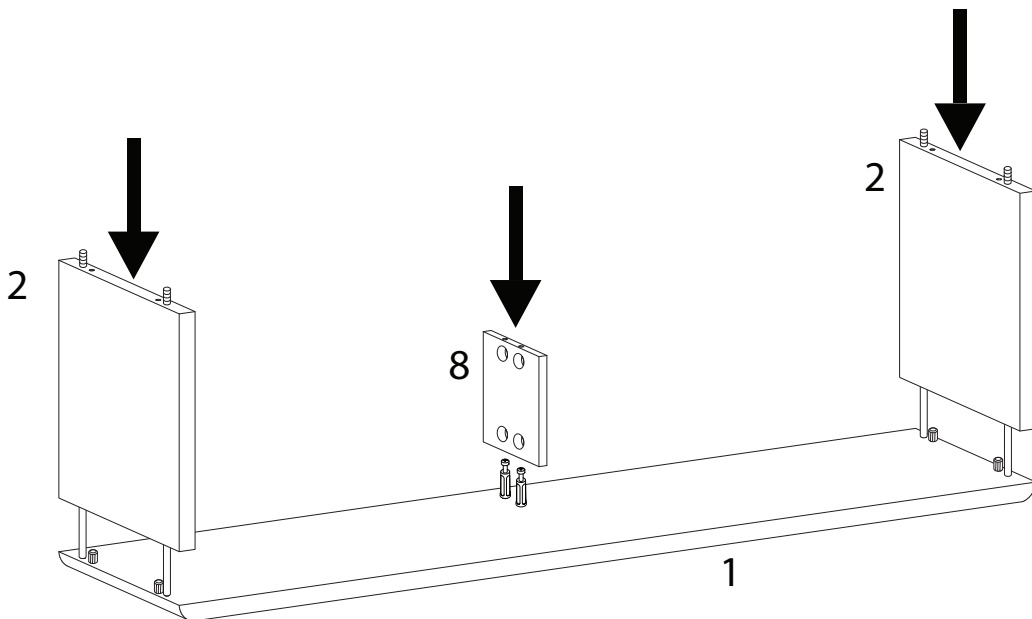


x 2

8



x 1

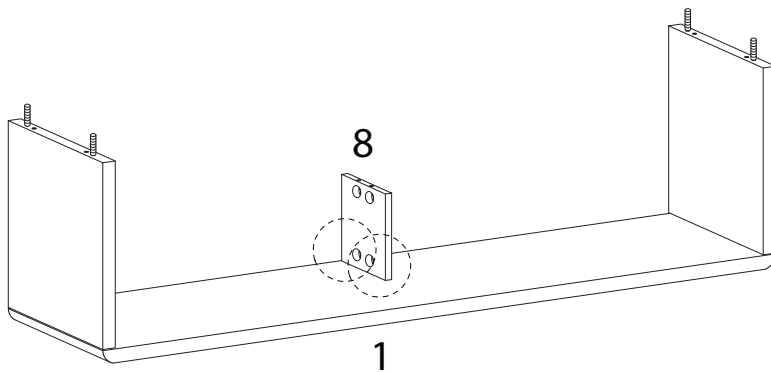


13

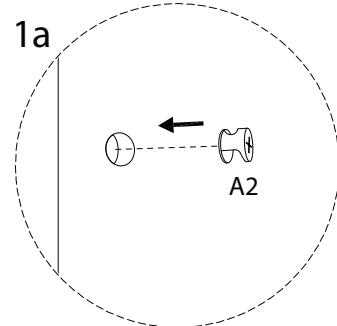
A2



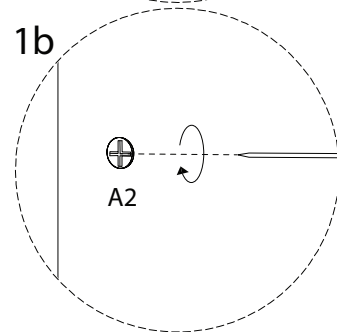
x 2



1a



1b



14

G



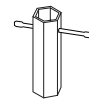
x 4

H

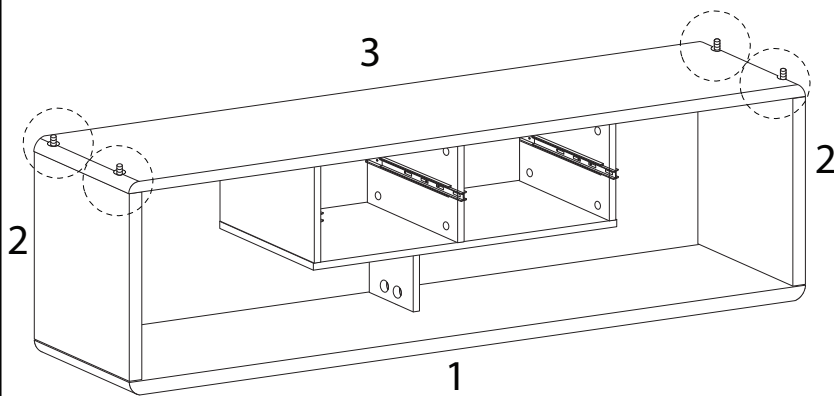


x 4

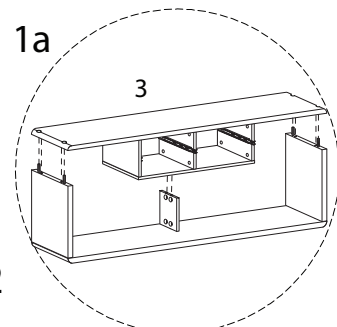
I



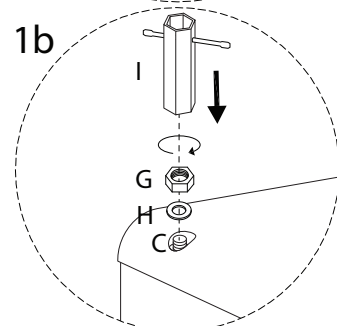
x 1



1a



1b

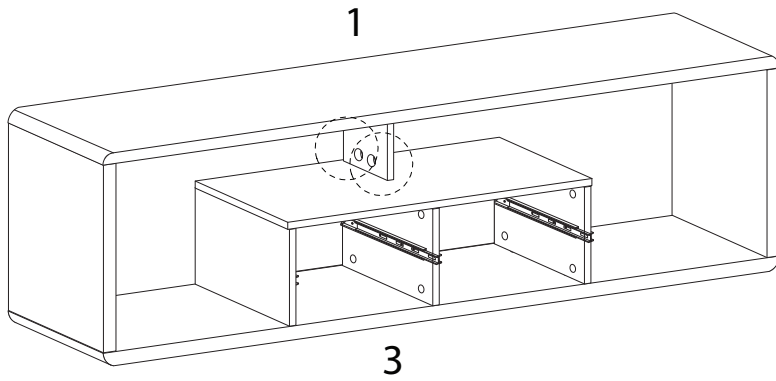


15

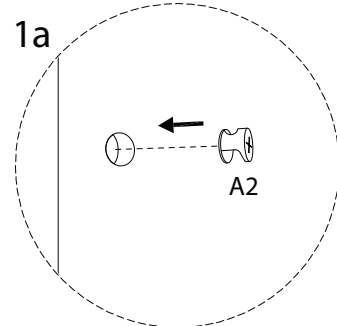
A2



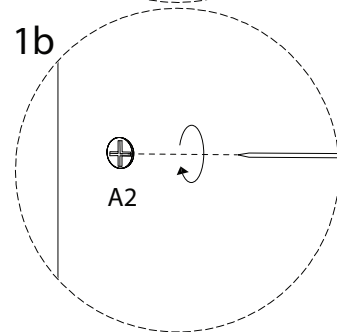
x 2



1a



1b

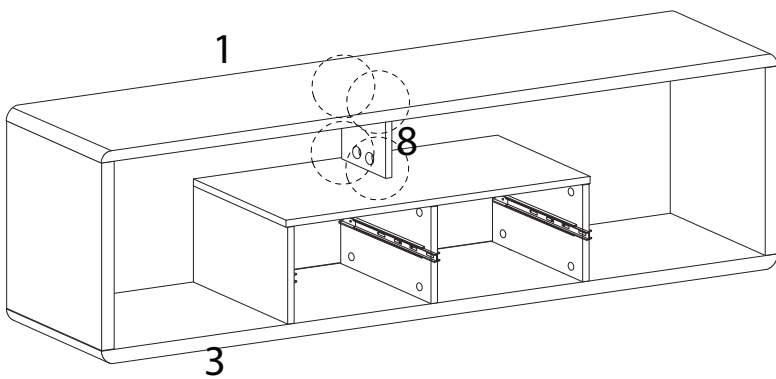


16

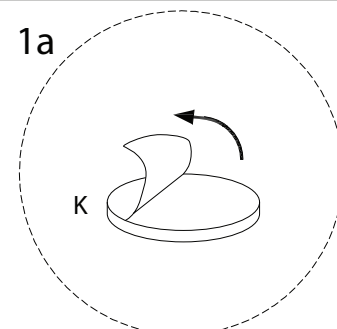
K



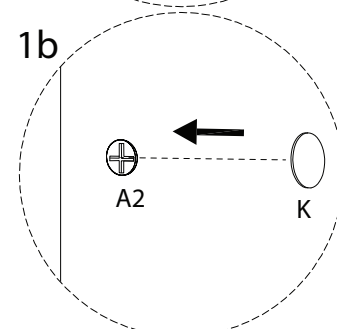
x 4



1a

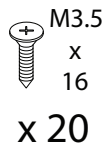


1b

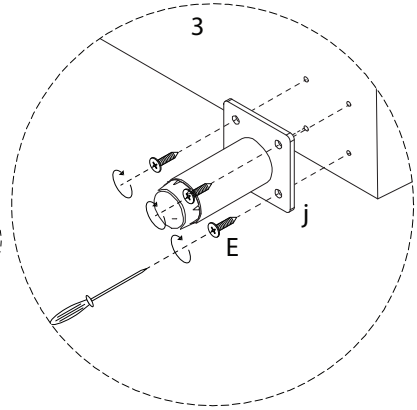
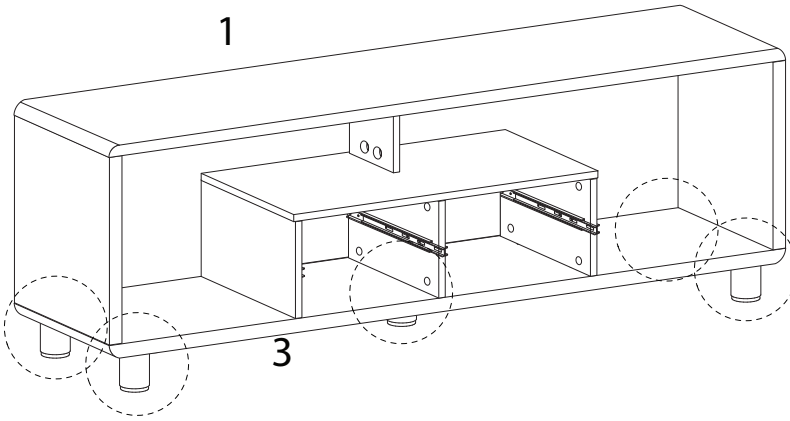


17

E

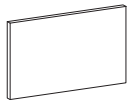


J



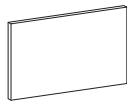
18

9



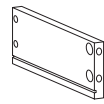
x 1

10



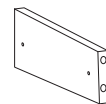
x 1

11



x 2

12

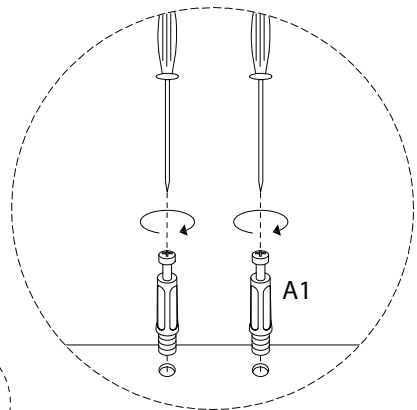
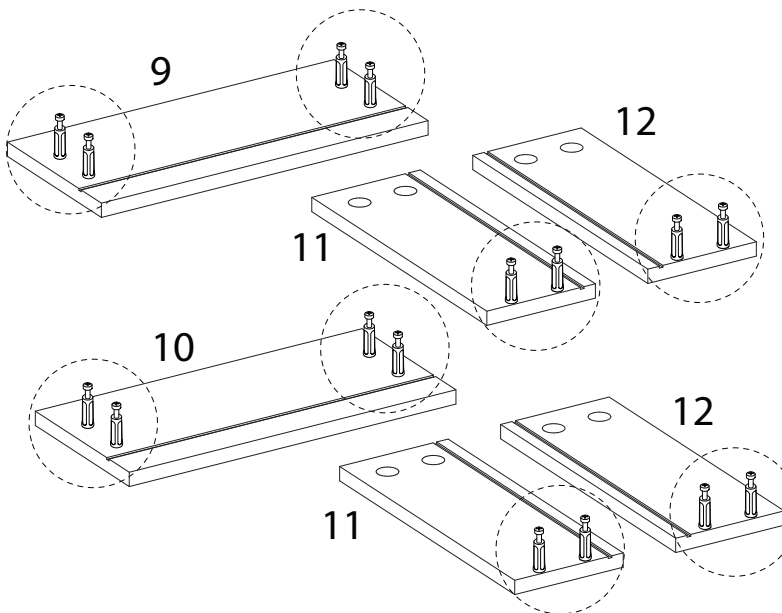


x 2

A1

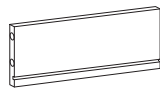


x 16



19 x 2

13

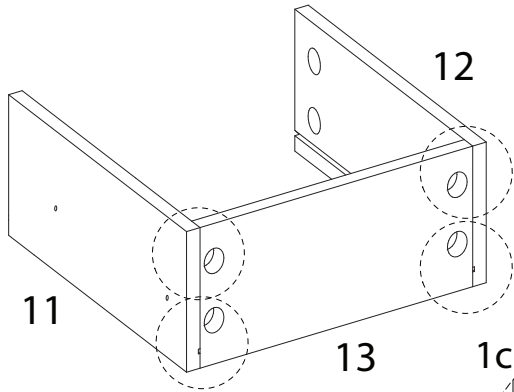


x 1

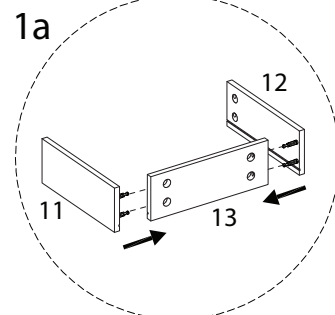
A2



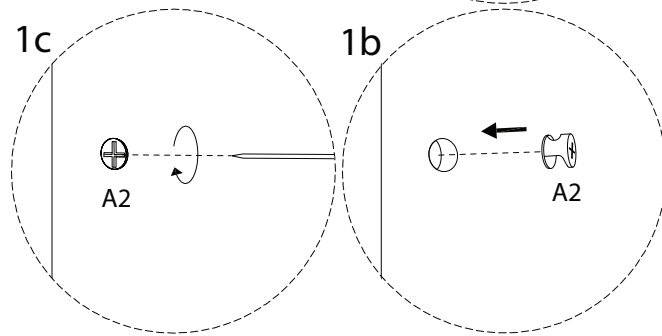
x 4



1a

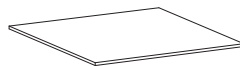


1b

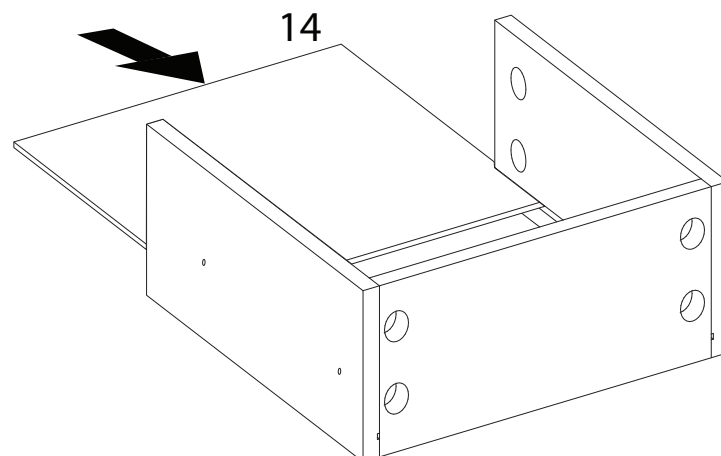


20 x 2

14



x 1

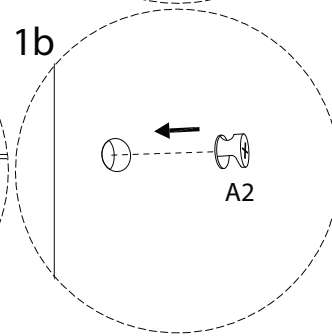
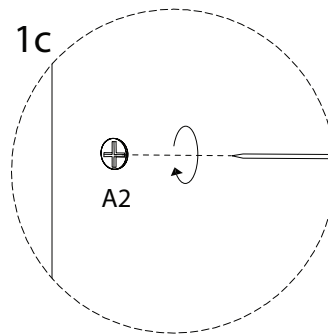
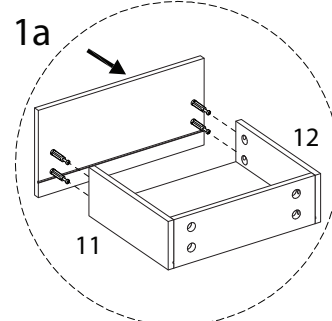
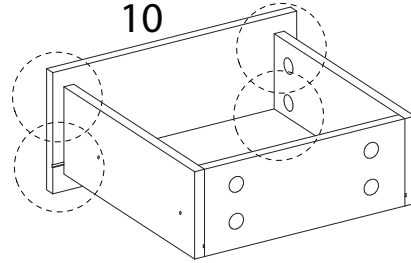
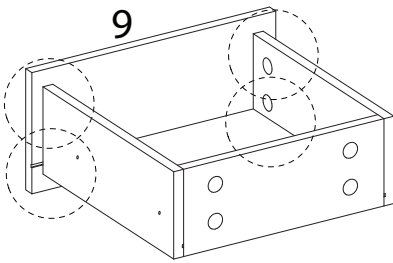


21

A2

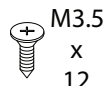


x 8



22 x 2

D

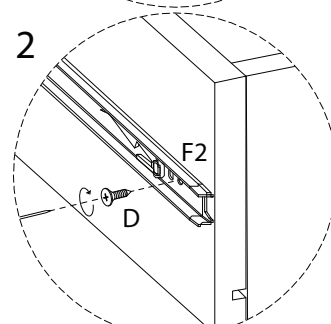
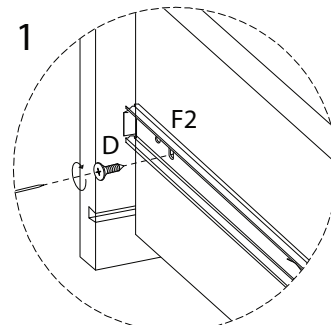
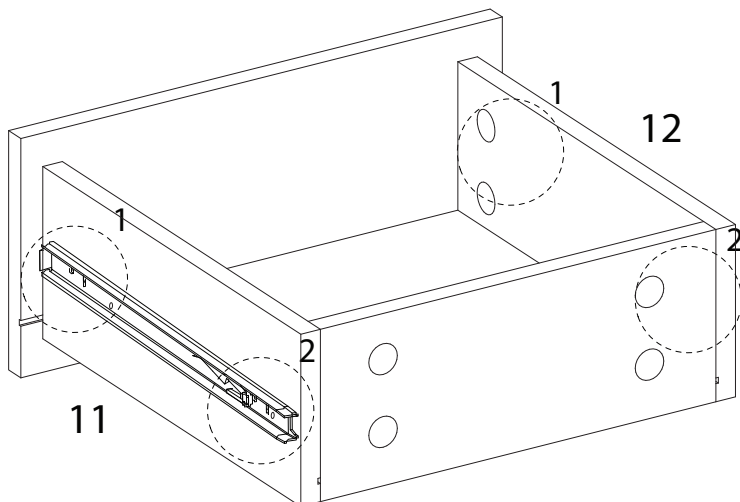


x 4

F2



x 2



23

