

80214 DR ASSEMBLY INSTRUCTION

Thank you for purchasing this quality product. Be sure to check all packing material carefully for small parts which may have come loose inside the carton during shipment. Separate, identify and count all parts and hardware. Compare with the parts list to be sure all parts are present.

IMPORTANT : PLEASE READ INSTRUCTION BEFORE STARTING THE ASSEMBLY.

"DO NOT TIGHTEN SCREWS UNTIL COMPLETELY ASSEMBLED"

"DO NOT OVERTIGHT ANY HARDWARE"

WARNING : SMALL PARTS AND HARDWARE NOT FOR CHILDREN UNDER 3 YEARS. ADULT ASSEMBLY REQUIRED.

PLEASE TAKE NOTE

****This product requires assembly by two adults.**

****Some assembly steps require additional support from a second person.**

TABLE OF CONTENTS

HARDWARES LIST

PAGE 2

PARTS LIST

PAGE 3 - 4

PARTS' LOCATION

PAGE 5

ASSEMBLY STEPS

PAGE 6 - 20

ASSEMBLY COMPLETED

PAGE 20

ANTI-TIPPING INSTALLMENT
INSTRUCTIONS

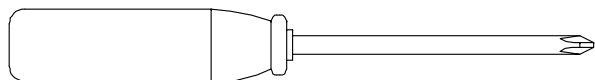
PAGE 21

PAY ATTENTION ITEMS

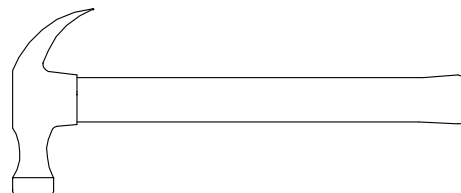
PAGE 22

ASSEMBLY TOOLS REQUIRED

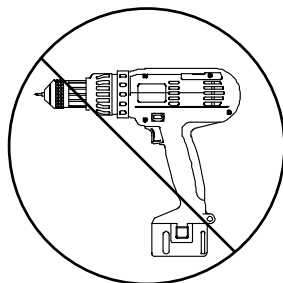
1. Screwdriver (not provide)



2. Hammer (not provide)

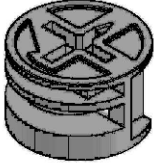
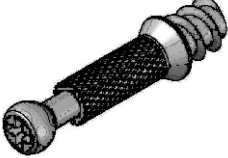

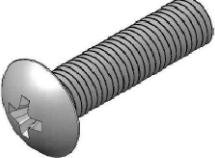

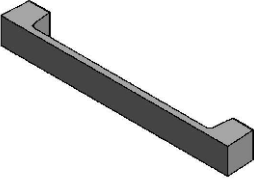
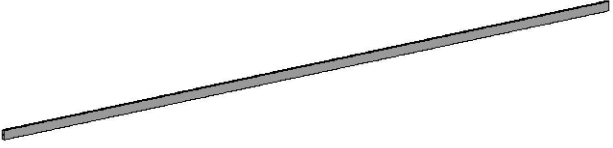
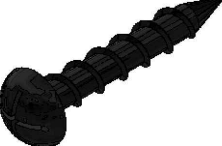



Skip the power trip this time.



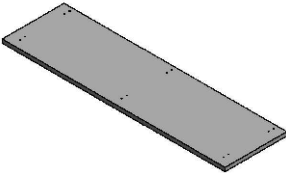
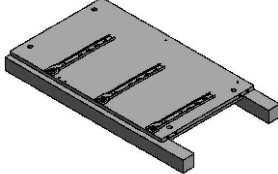
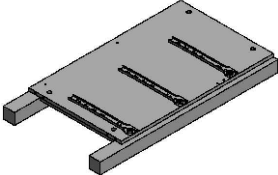
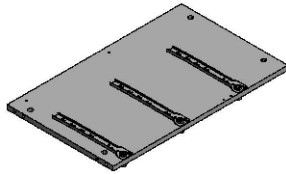
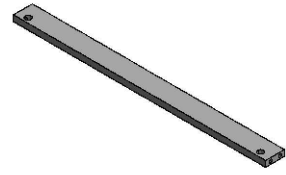
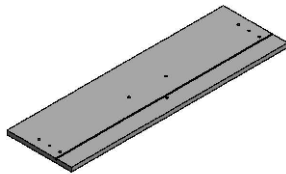
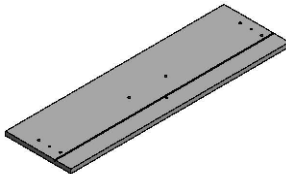
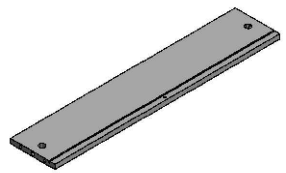
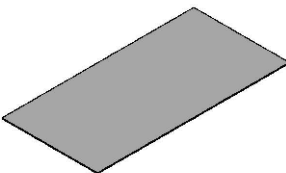
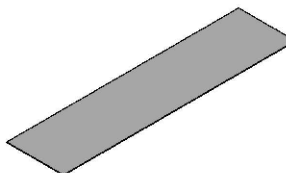
80214 DR ASSEMBLY INSTRUCTION

HARDWARES LIST

ITEM	DESCRIPTION	DRAWING	QTY
A	MINIFIX CAM LOCK		60 PCS
B	MINIFIX CAM BOLT		60 PCS
C	WOOD DOWEL (M6 x 25MM)		64 PCS
D	TRUSS M-SCREW (16MM)		12 PCS
E	6/8" NAIL		24 PCS
F	HANDLE		6 PCS
G	PLASTIC STRIP (H SHAPE)		1 PC
H	PAN HEAD SCREW M4 x 25mm		2 PCS
I	FLAT WASHER M6 x 19mm		2 PCS

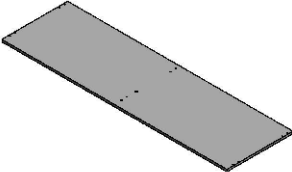
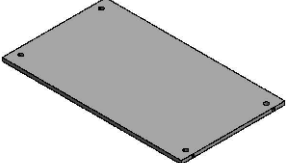
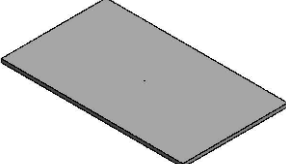
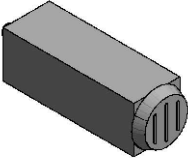
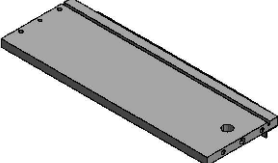
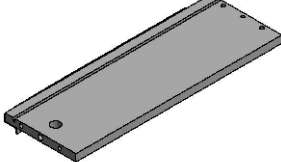
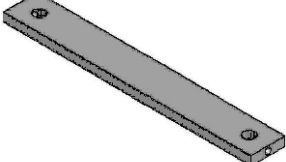
80214 DR ASSEMBLY INSTRUCTION

PARTS LIST

ITEM	DESCRIPTION	DRAWING	QTY
D1	TOP PANEL		1 PC
D2	LEFT PANEL		1 PC
D3	RIGHT PANEL		1 PC
D4	CENTRE PANEL		1 PC
D5	SUPPORT RAIL		2 PCS
D6	LEFT DRAWER HEAD		3 PCS
D7	RIGHT DRAWER HEAD		3 PCS
D8	DRAWER BACK PANEL		6 PCS
D9	DRAWER BOTTOM PANEL		6 PCS
D10	BACK PANEL		2 PCS

80214 DR ASSEMBLY INSTRUCTION

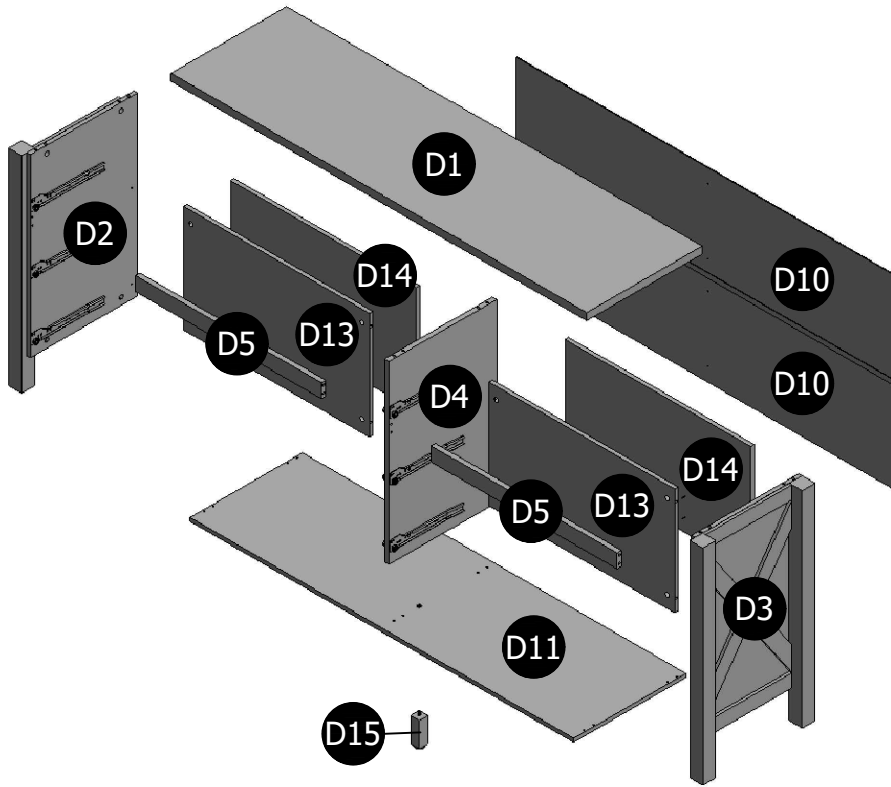
PARTS LIST

ITEM	DESCRIPTION	DRAWING	QTY
D11	BOTTOM PANEL		1 PC
D13	FRONT TIPPING PANEL		2 PCS
D14	BACK TIPPING PANEL		2 PCS
D15	CENTRE SUPPORT LEG		1 PC
19	DRAWER LEFT PANEL		6 PCS
20	DRAWER RIGHT PANEL		6 PCS
21	DRAWER BOTTOM SUPPORT RAIL		6 PCS

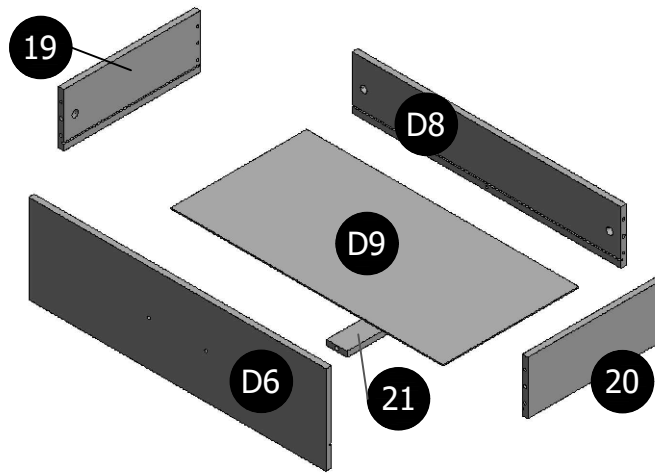
80214 DR ASSEMBLY INSTRUCTION

PARTS ' LOCATION

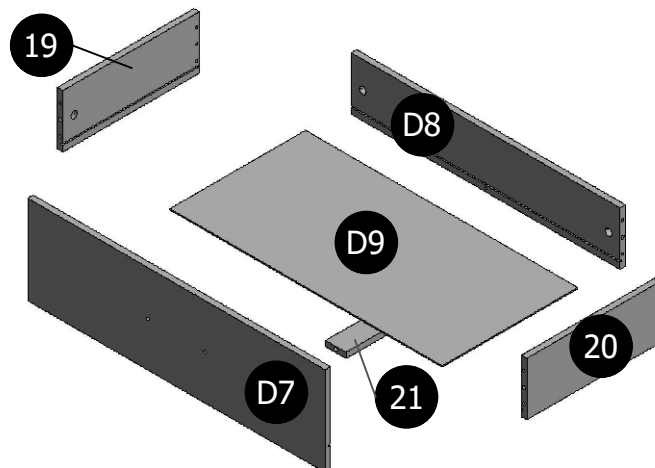
DRESSER x 1 PC



LEFT SIDE DRAWER x 3 PCS



RIGHT SIDE DRAWER x 3 PCS

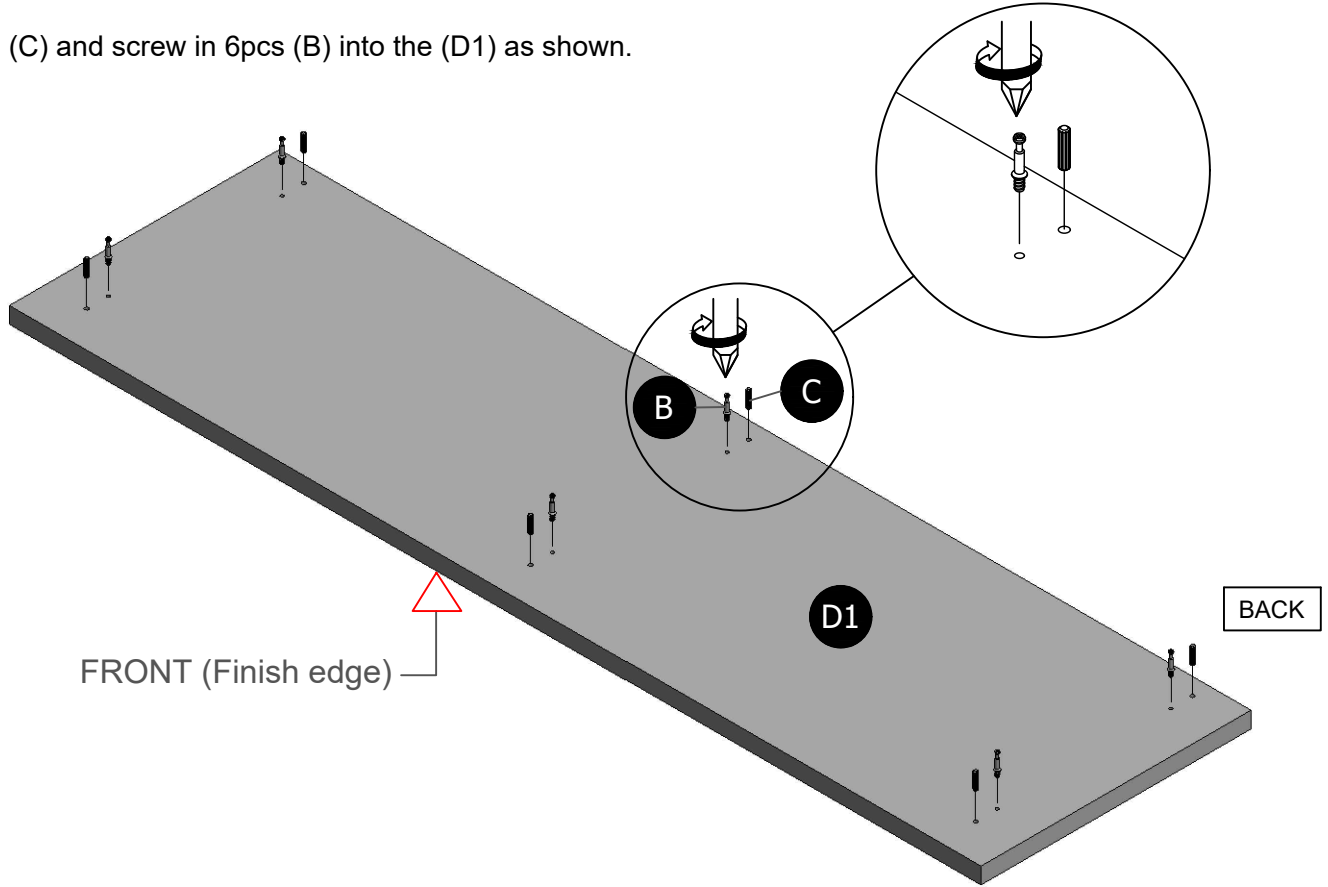


80214 DR ASSEMBLY INSTRUCTION

ASSEMBLY STEPS

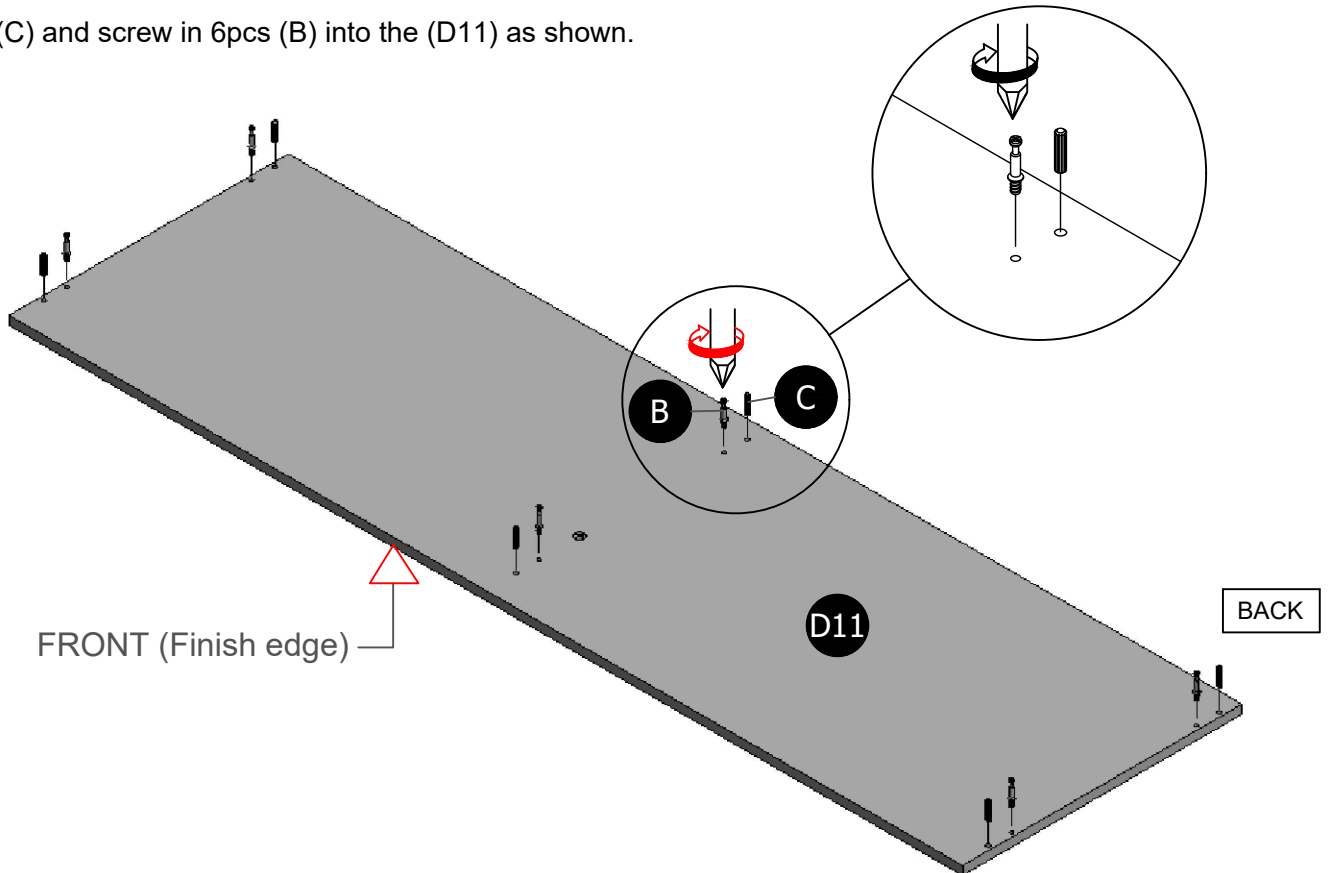
STEP 1

Insert 6pcs (C) and screw in 6pcs (B) into the (D1) as shown.



STEP 2

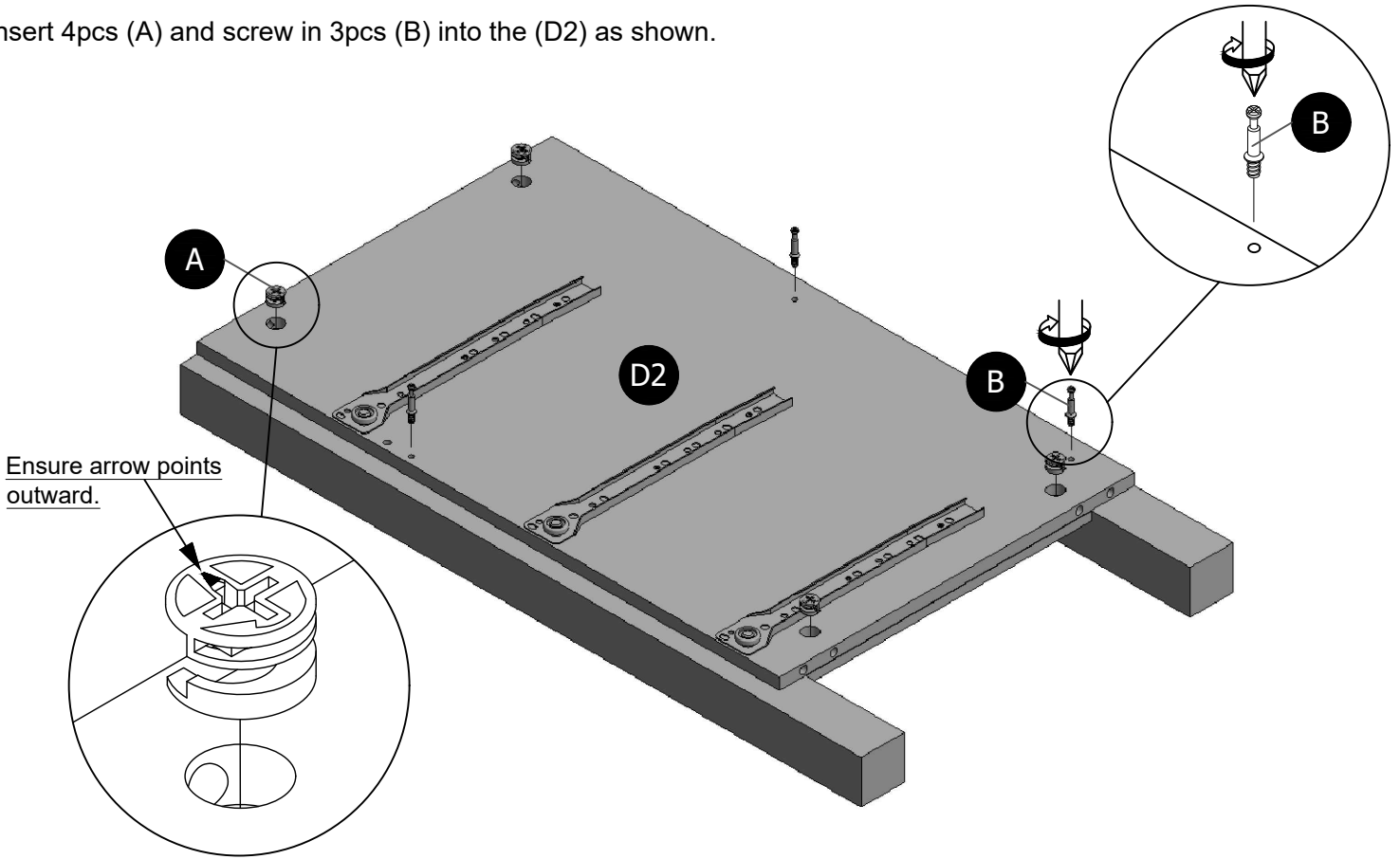
Insert 6pcs (C) and screw in 6pcs (B) into the (D11) as shown.



80214 DR ASSEMBLY INSTRUCTION

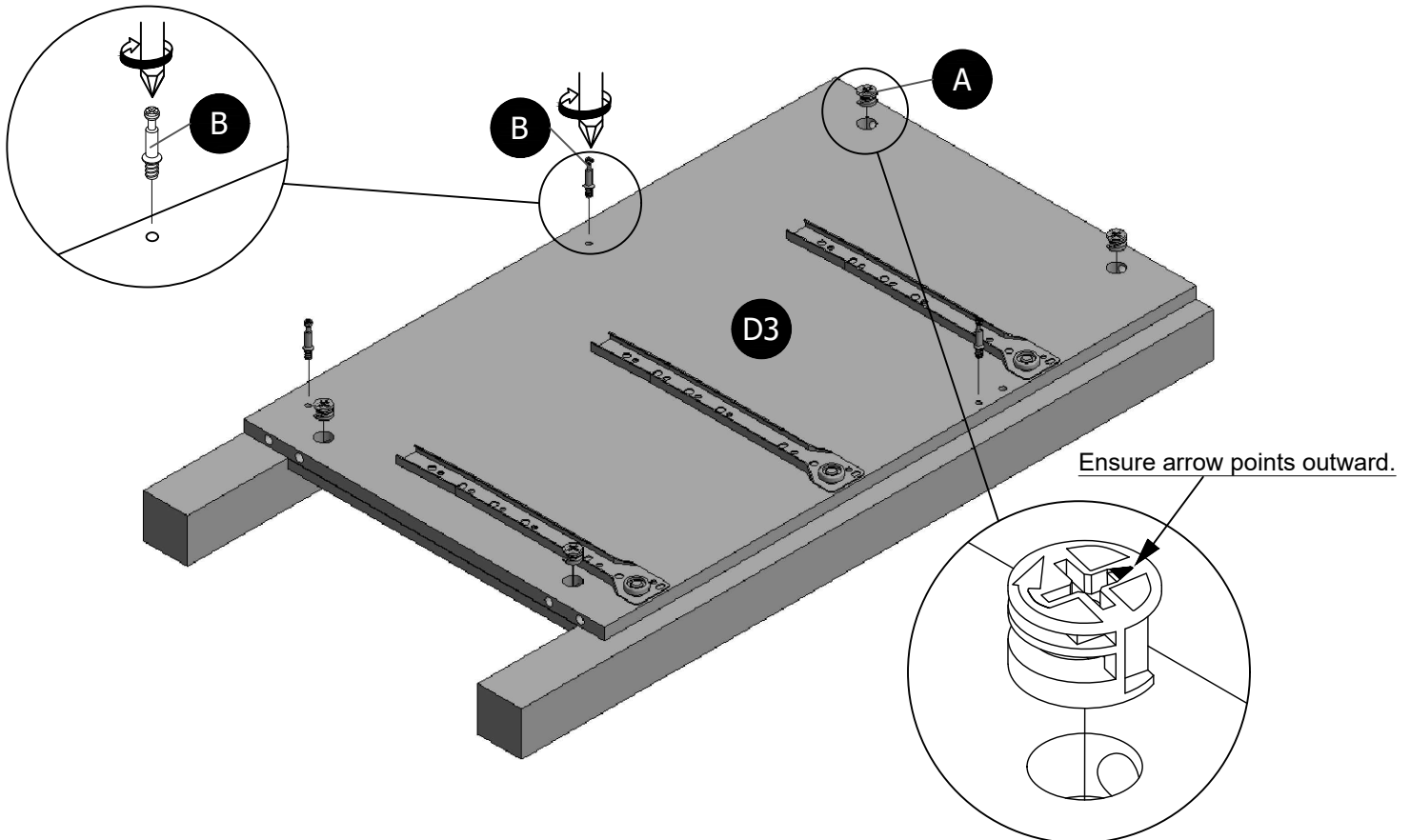
STEP 3

Insert 4pcs (A) and screw in 3pcs (B) into the (D2) as shown.



STEP 4

Insert 4pcs (A) and screw in 3pcs (B) into the (D3) as shown.

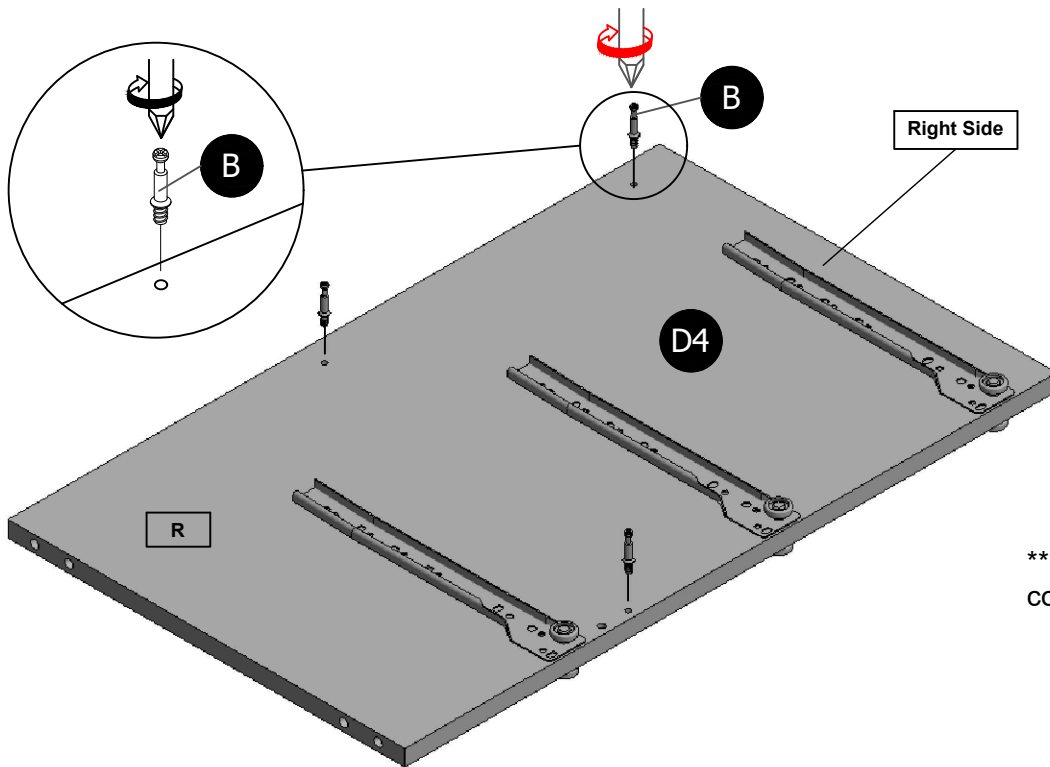


80214 DR ASSEMBLY INSTRUCTION

ASSEMBLY STEPS

STEP 5

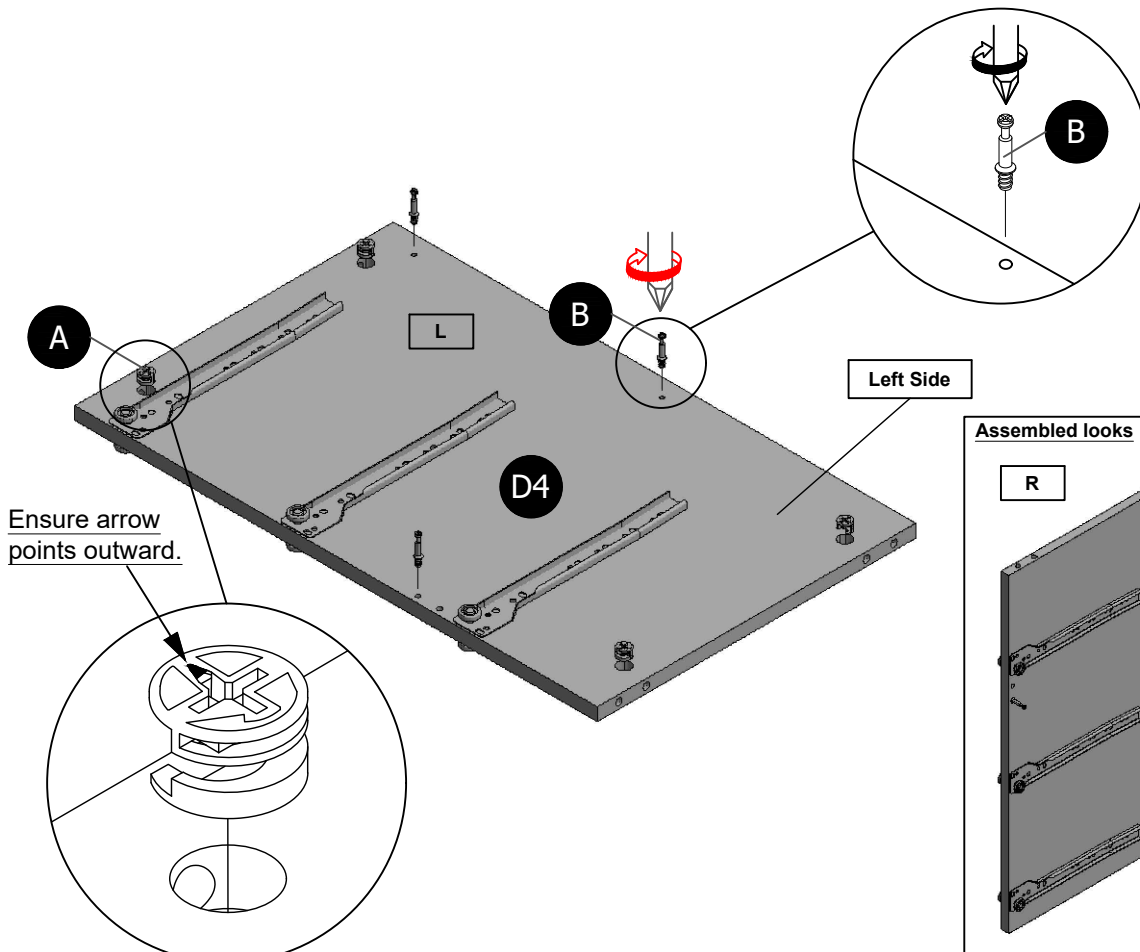
Screw in 3pcs (B) to the right side of (D4) as shown.



**Rotate 180 degrees after completed this step.

STEP 6

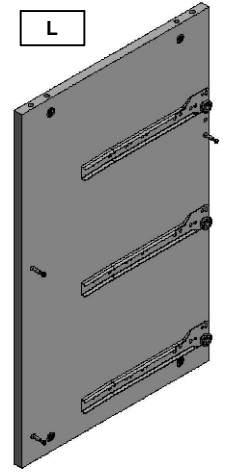
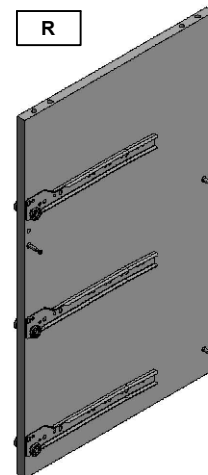
Insert 4pcs (A) and screw in 3pcs (B) into the left side of (D4) as shown.



Assembled looks

R

L

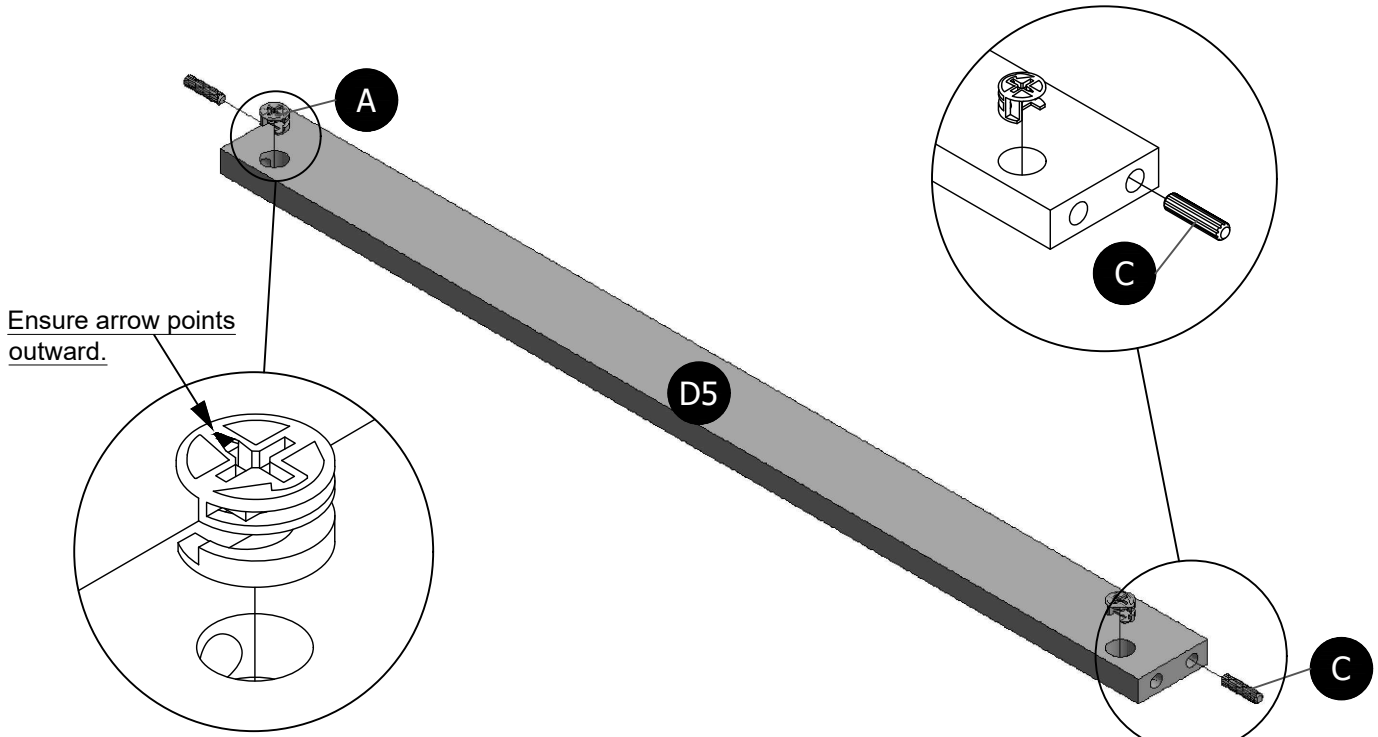


80214 DR ASSEMBLY INSTRUCTION

STEP 7

Insert 2 pcs (A) & (C) into the (D5) as shown.

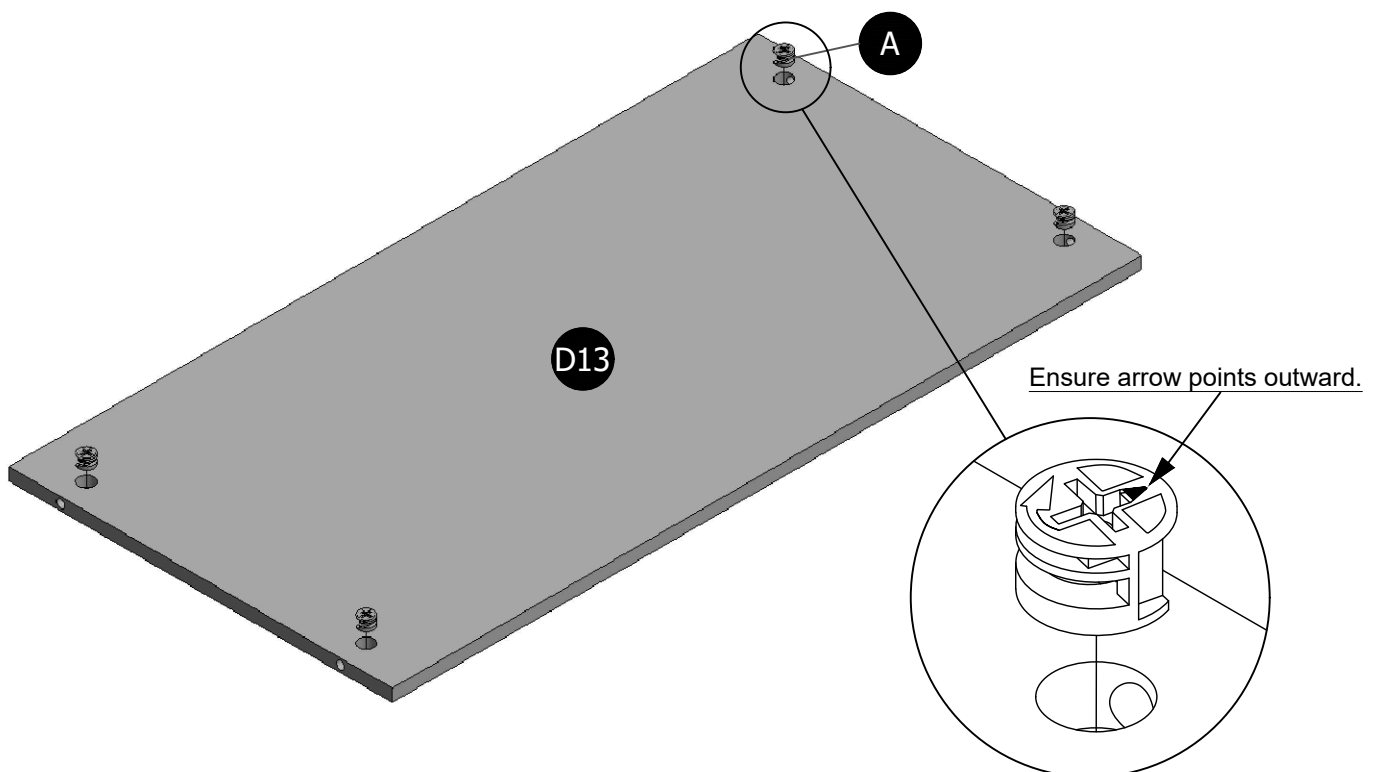
x 2



STEP 8

Insert 4 pcs (A) into the (D13) as shown.

x 2

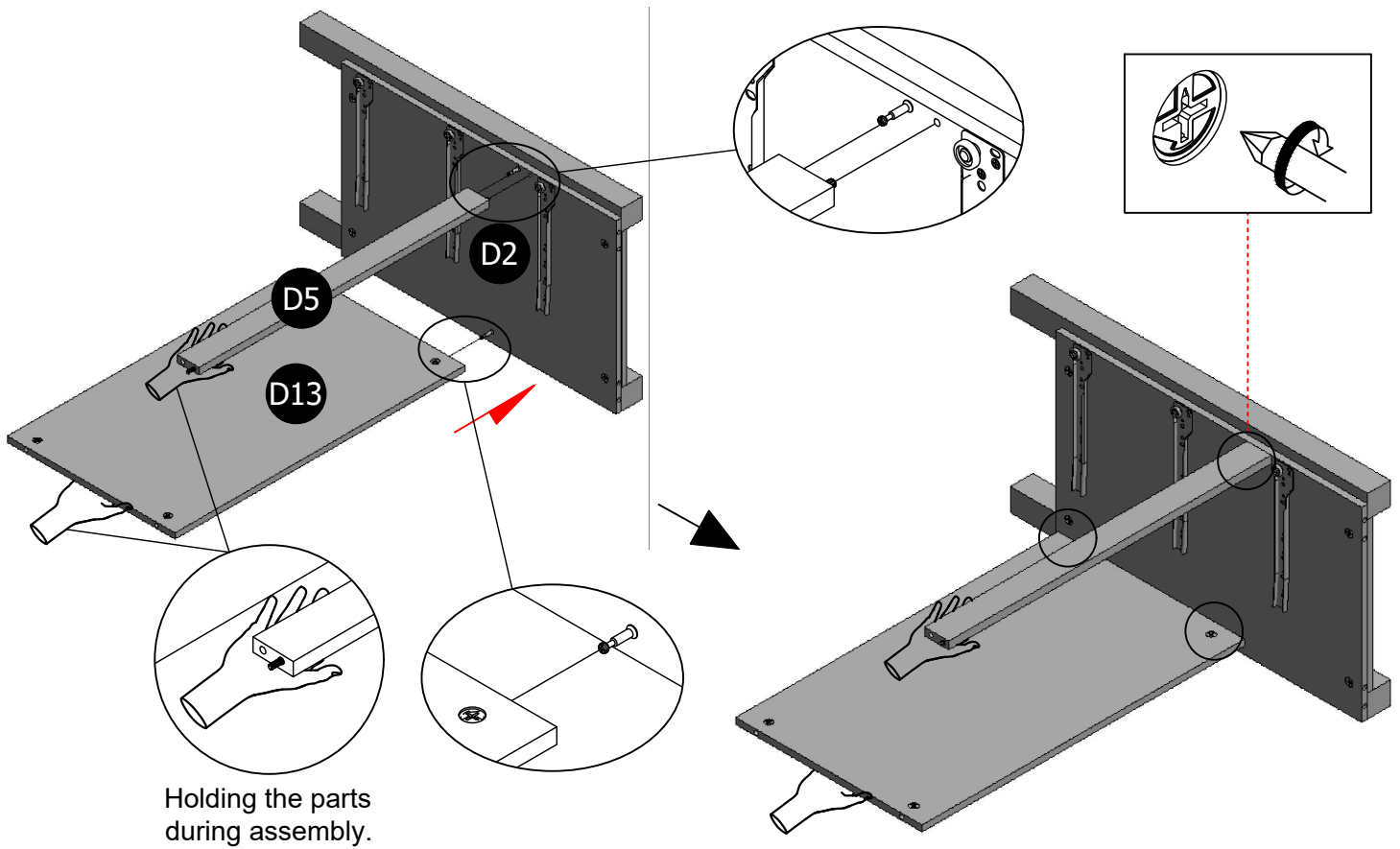


80214 DR ASSEMBLY INSTRUCTION

STEP 9

Combine (D5) & (D13) into (D2), then tighten 3pcs (A) as shown.

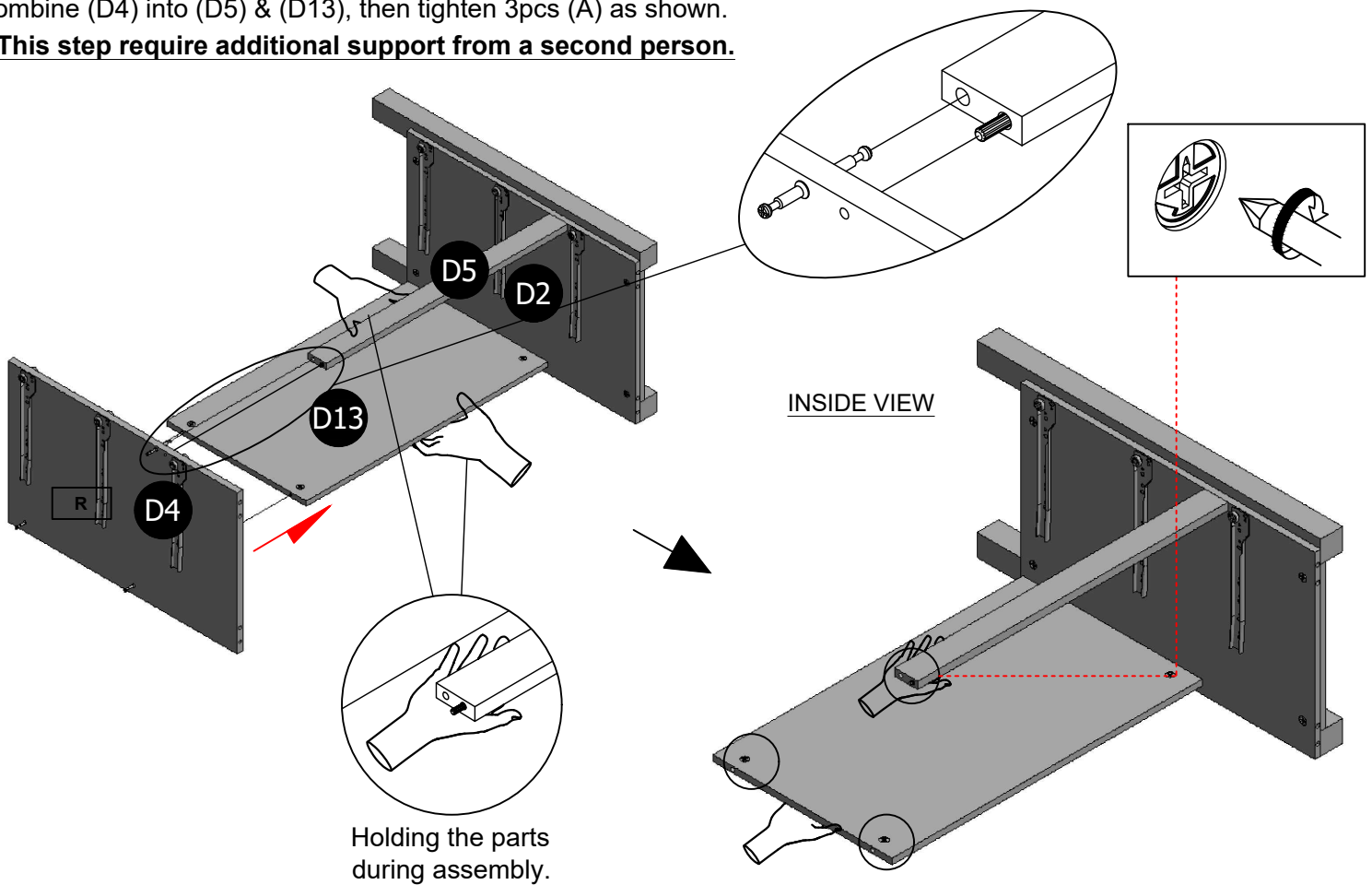
****This step require additional support from a second person.**



STEP 10

Combine (D4) into (D5) & (D13), then tighten 3pcs (A) as shown.

****This step require additional support from a second person.**

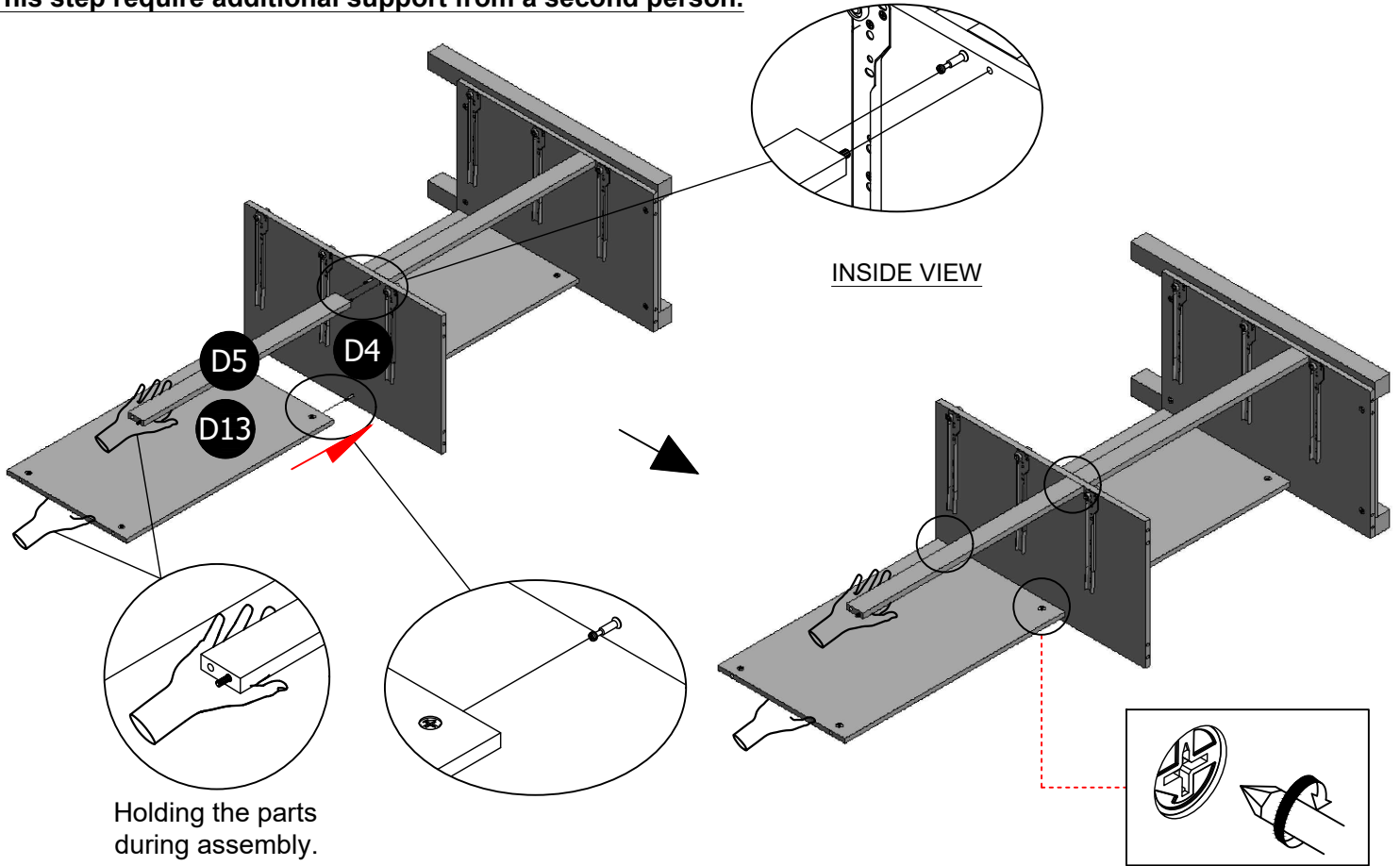


80214 DR ASSEMBLY INSTRUCTION

STEP 11

Combine (D5) & (D13) into (D4), then tighten 3pcs (A) as shown.

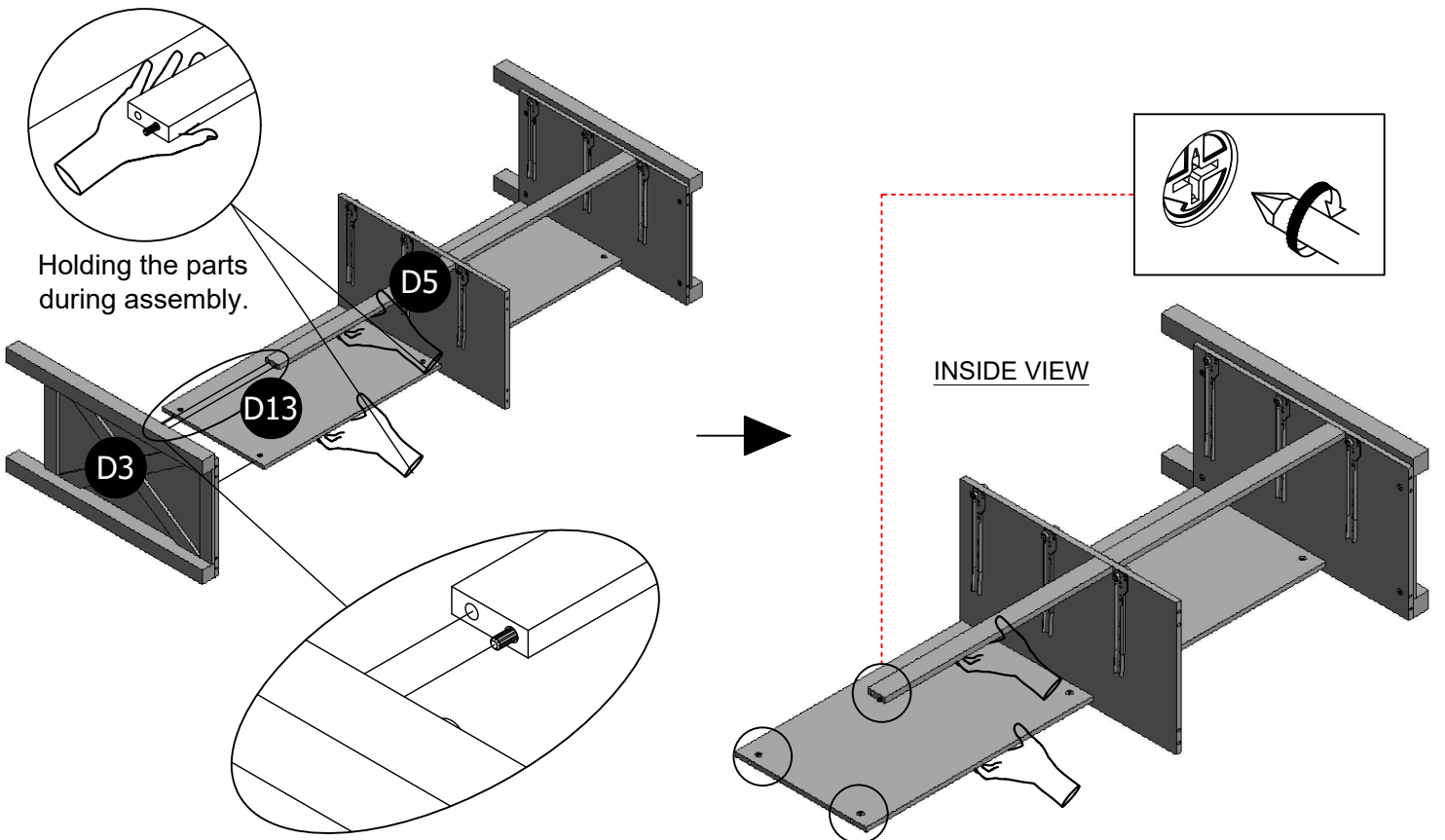
****This step require additional support from a second person.**



STEP 12

Combine (D3) into (D5) & (D13), then tighten 3pcs (A) as shown.

****This step require additional support from a second person.**

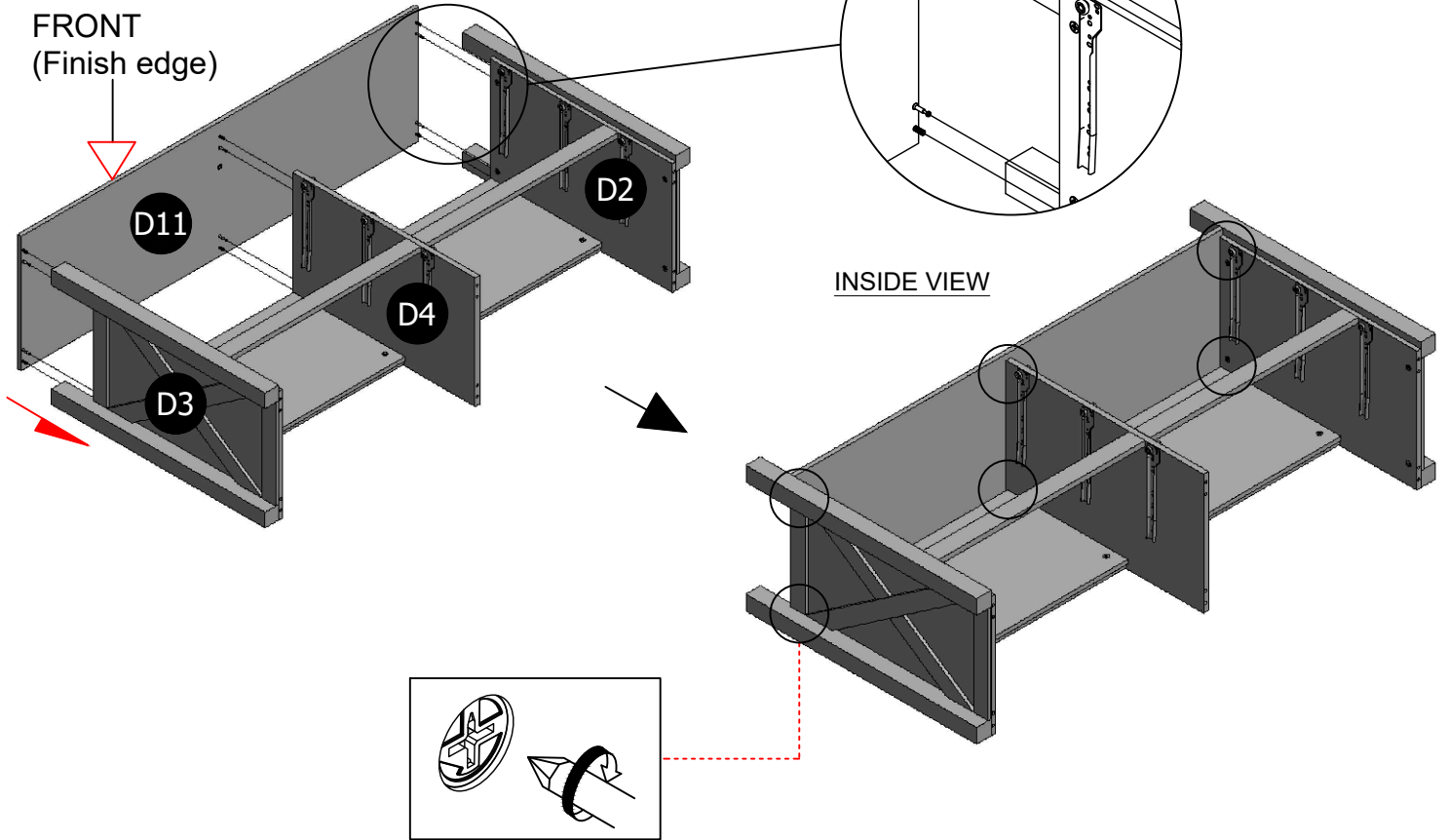


80214 DR ASSEMBLY INSTRUCTION

STEP 13

Combine (D11) into (D2),(D3) & (D4) then tighten 6pcs (A) as shown.

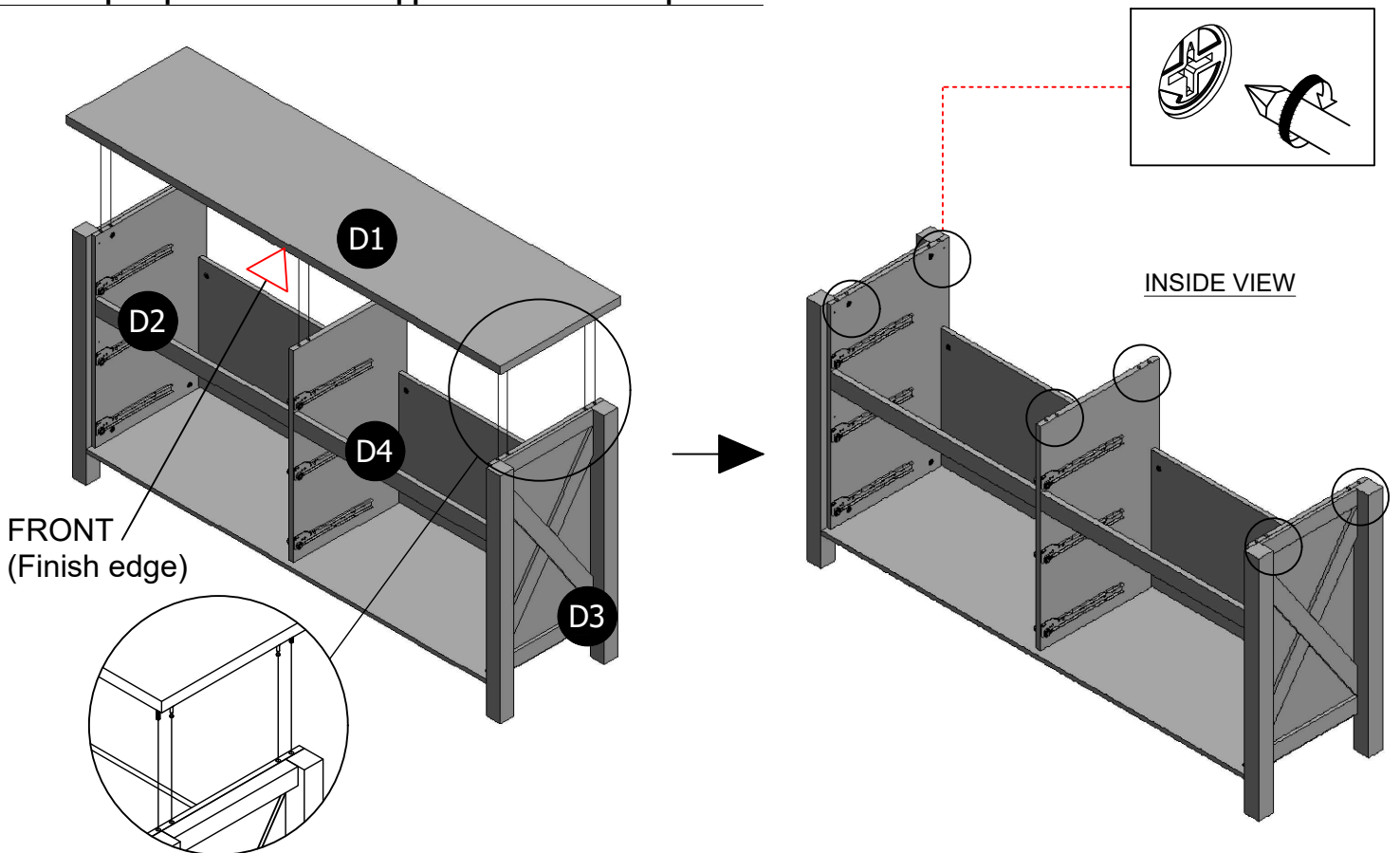
****This step require additional support from a second person.**



STEP 14

Combine (D1) into (D2),(D3) & (D4), then tighten 6pcs (A) as shown.

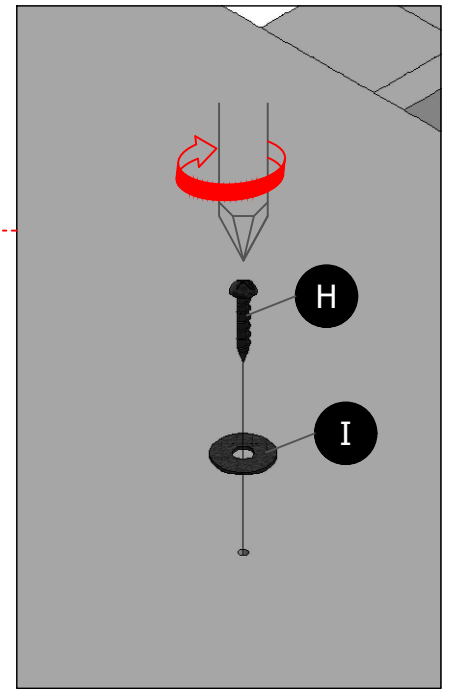
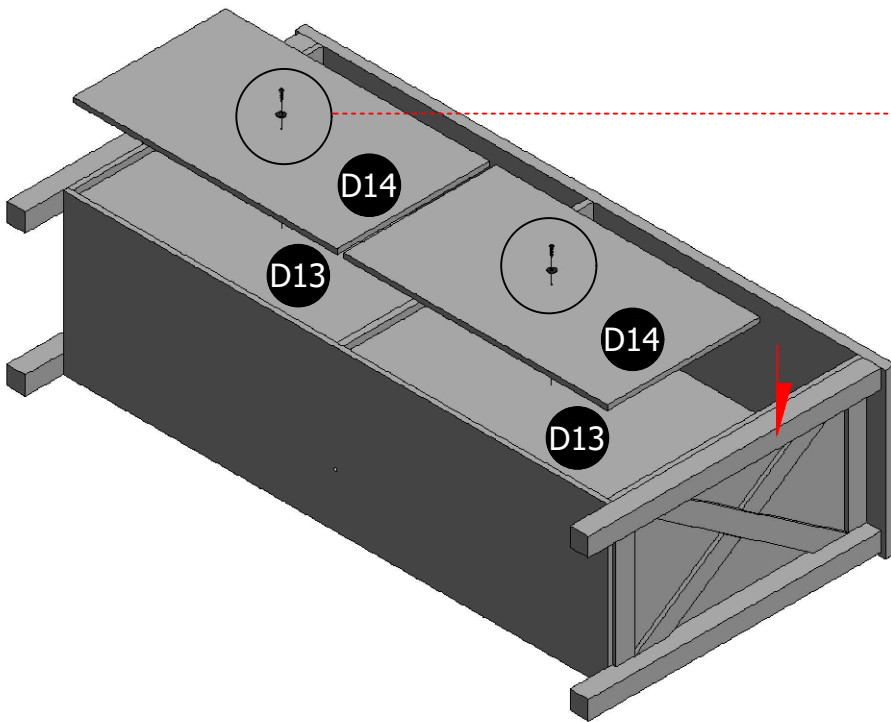
****This step require additional support from a second person.**



80214 DR ASSEMBLY INSTRUCTION

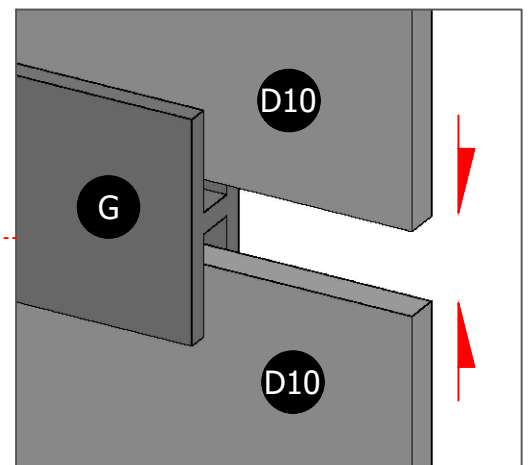
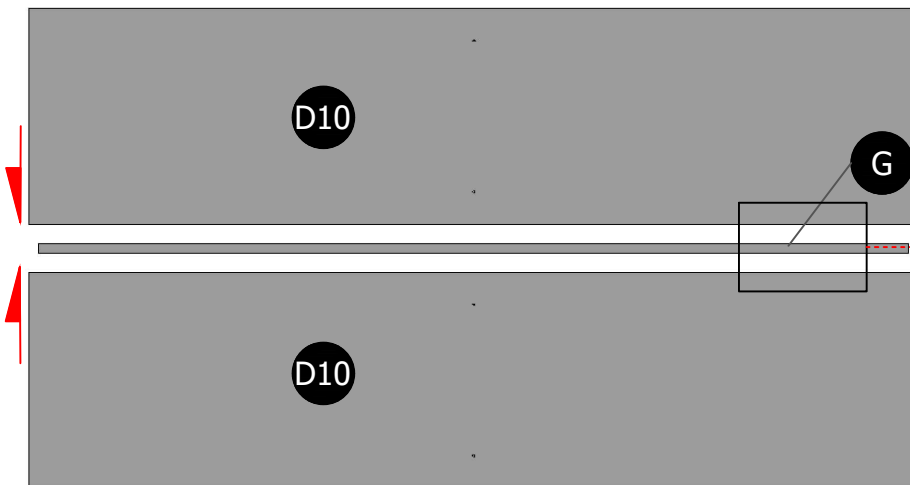
STEP 15

Insert the (I) into the (H), then screw in the (H) to secure (D13) & (D14) as shown.



STEP 16

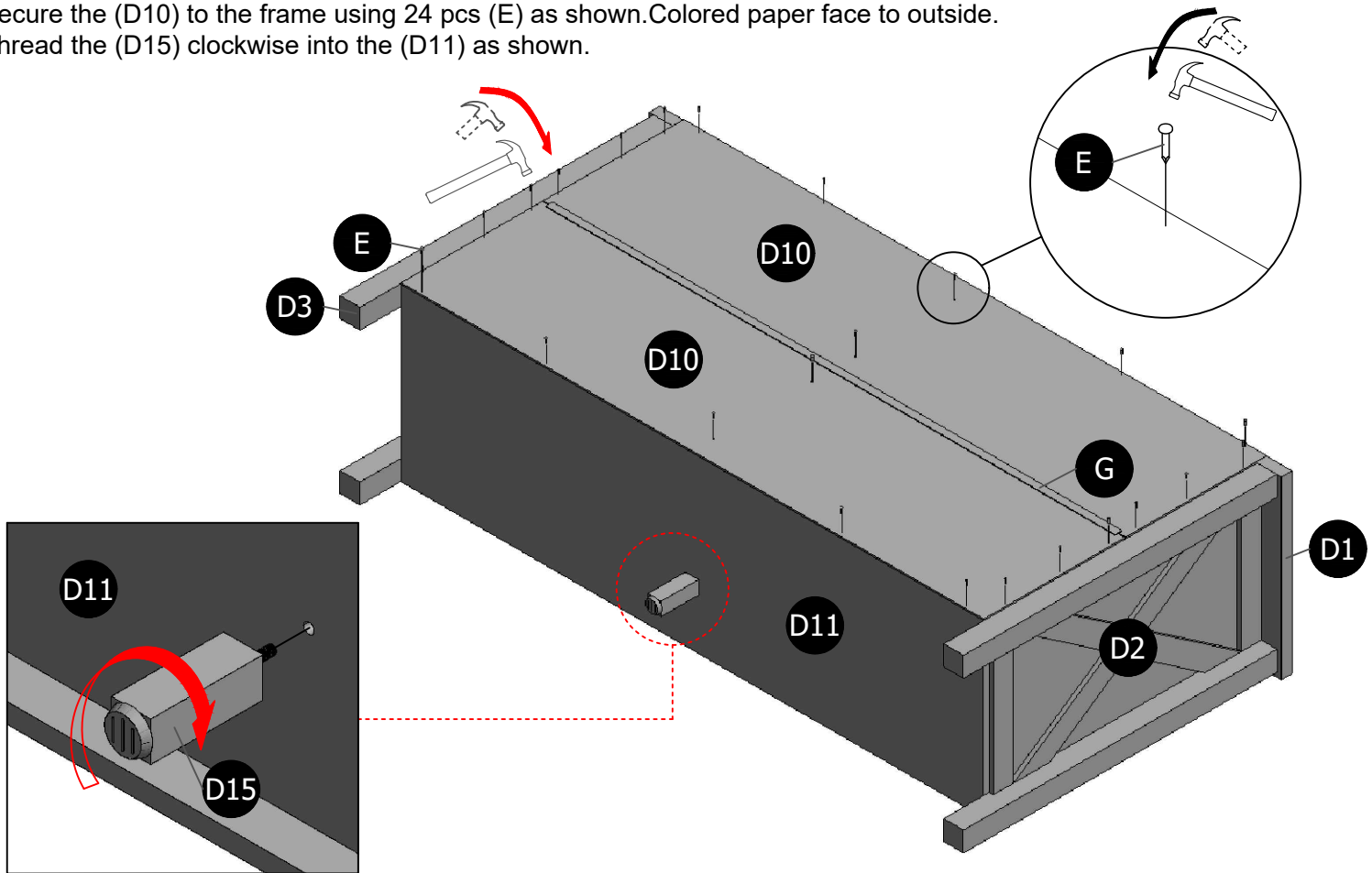
Insert the (D10) into the (G) as shown. Direction of the side with colored paper must be the same.



80214 DR ASSEMBLY INSTRUCTION

STEP 17

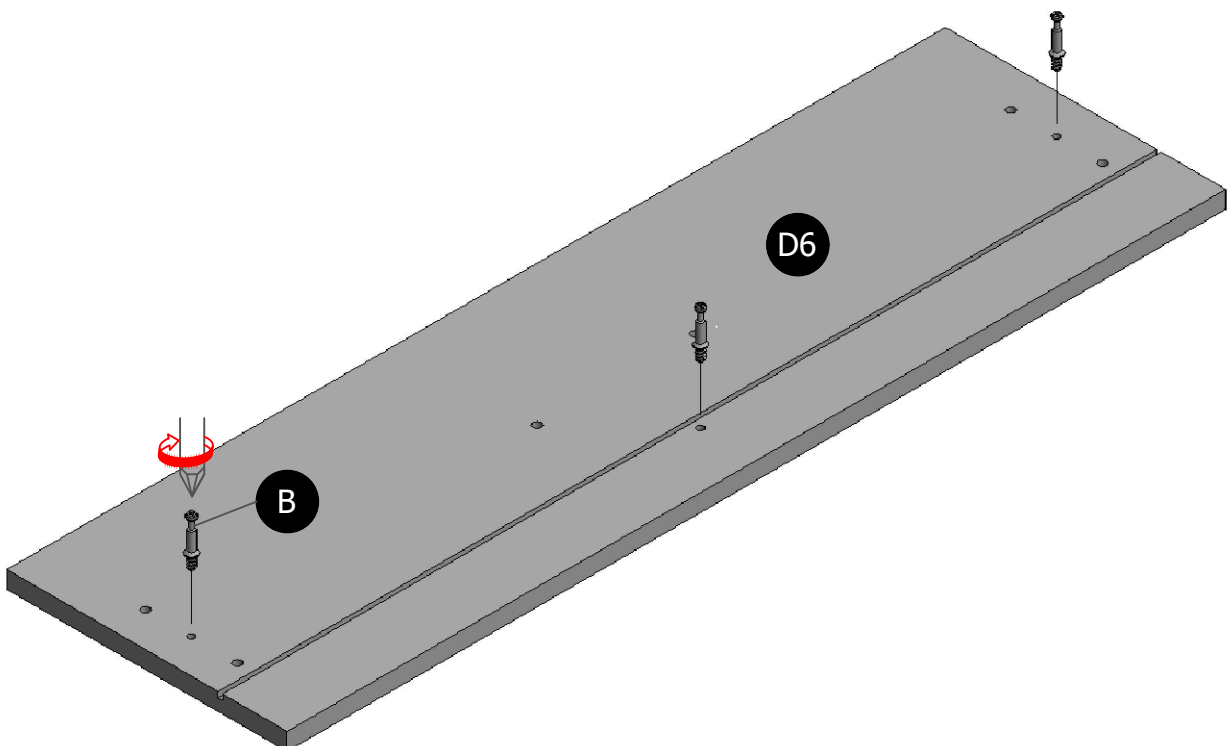
Secure the (D10) to the frame using 24 pcs (E) as shown. Colored paper face to outside.
Thread the (D15) clockwise into the (D11) as shown.



STEP 18

Screw in 3pcs (B) to the (D6) as shown.

x 3

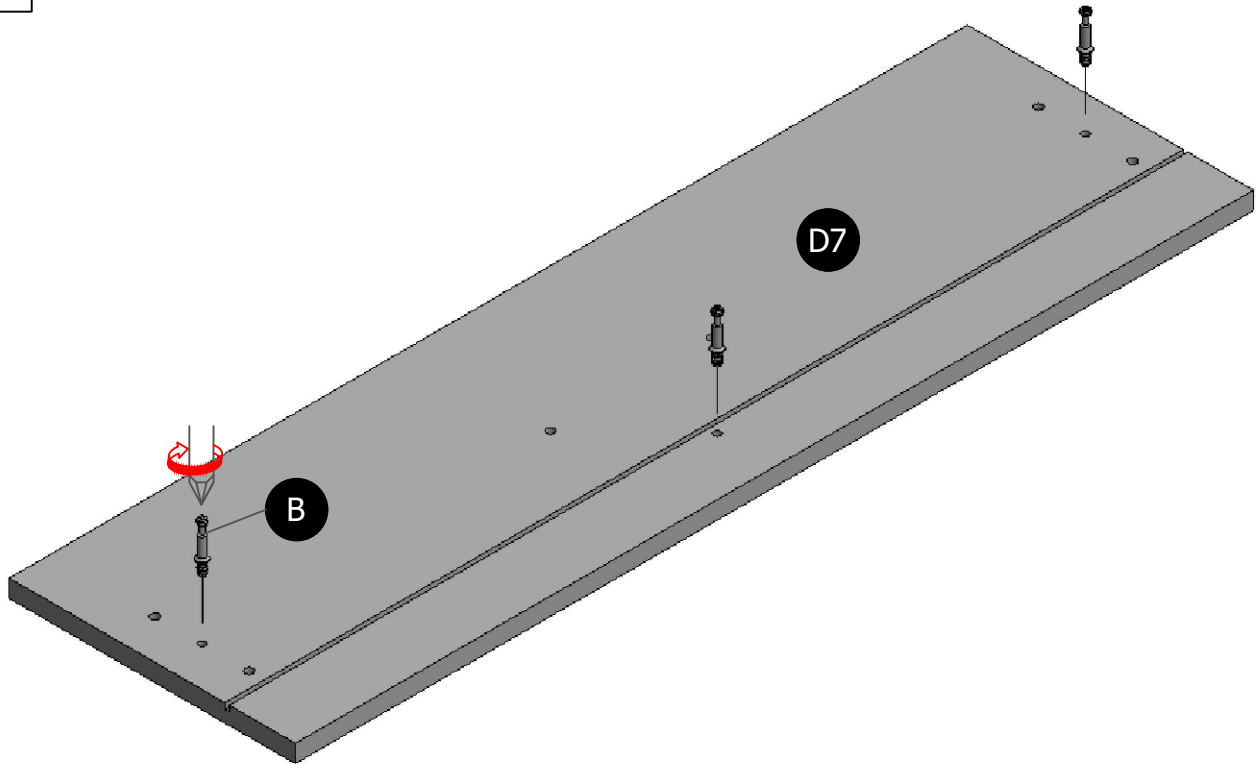


80214 DR ASSEMBLY INSTRUCTION

STEP 19

Screw in 3pcs (B) to the (D7) as shown.

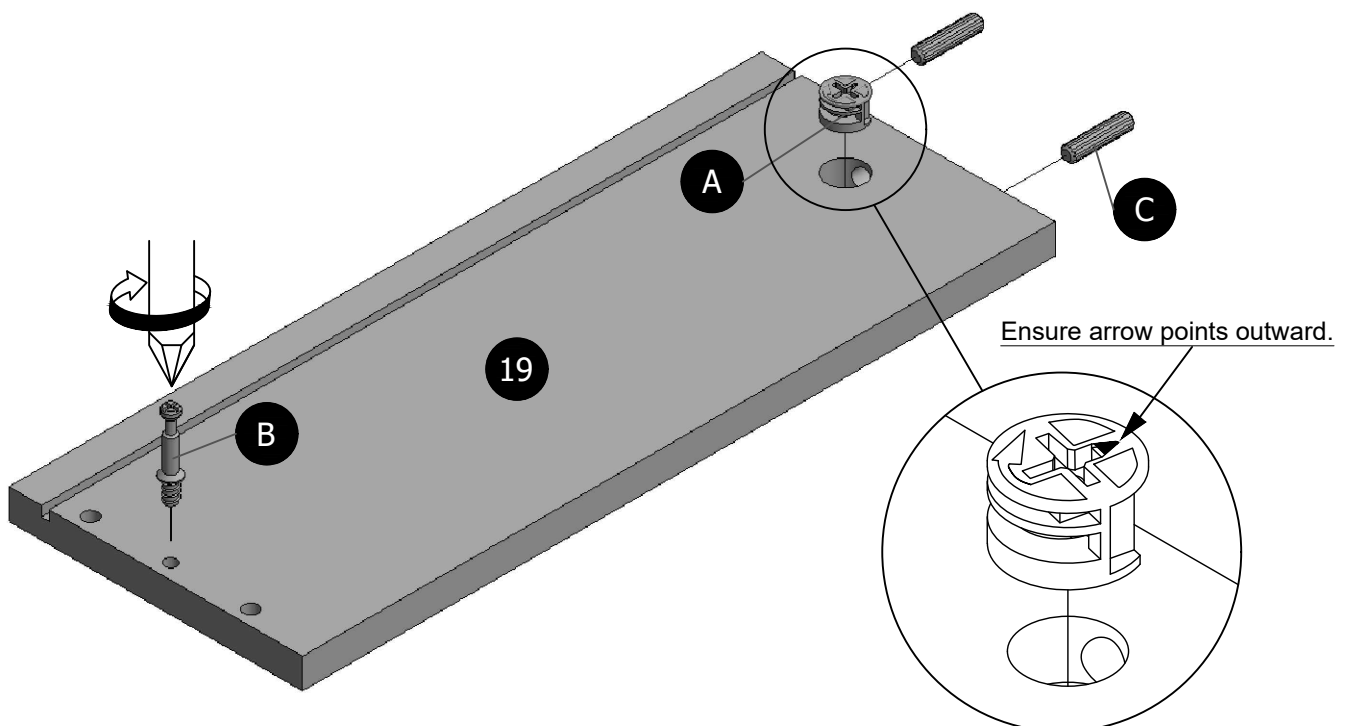
x 3



STEP 20

Insert 1pc (A) & 2pcs (C) into the (19), then screw in 1pc (B) as shown.

x 6

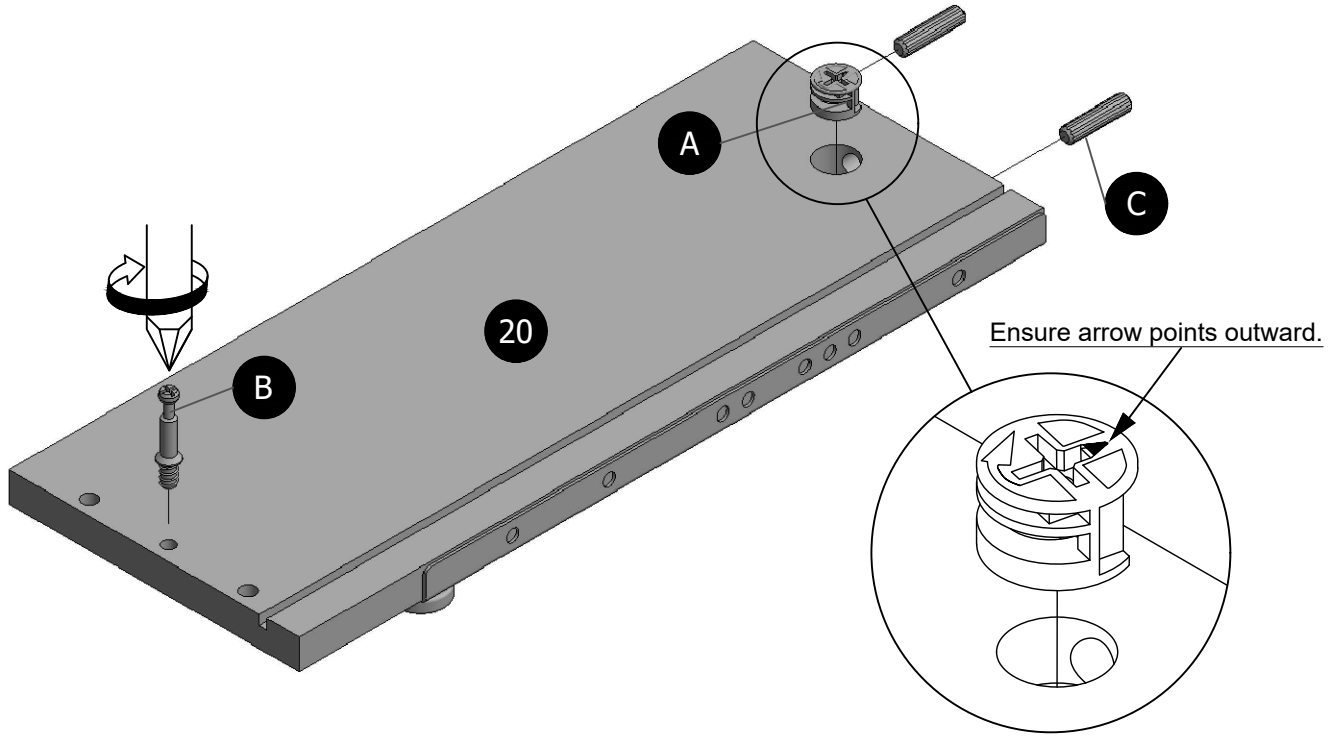


80214 DR ASSEMBLY INSTRUCTION

STEP 21

Insert 1pc (A) & 2pcs (C) into the (20), then screw in 1pc (B) as shown.

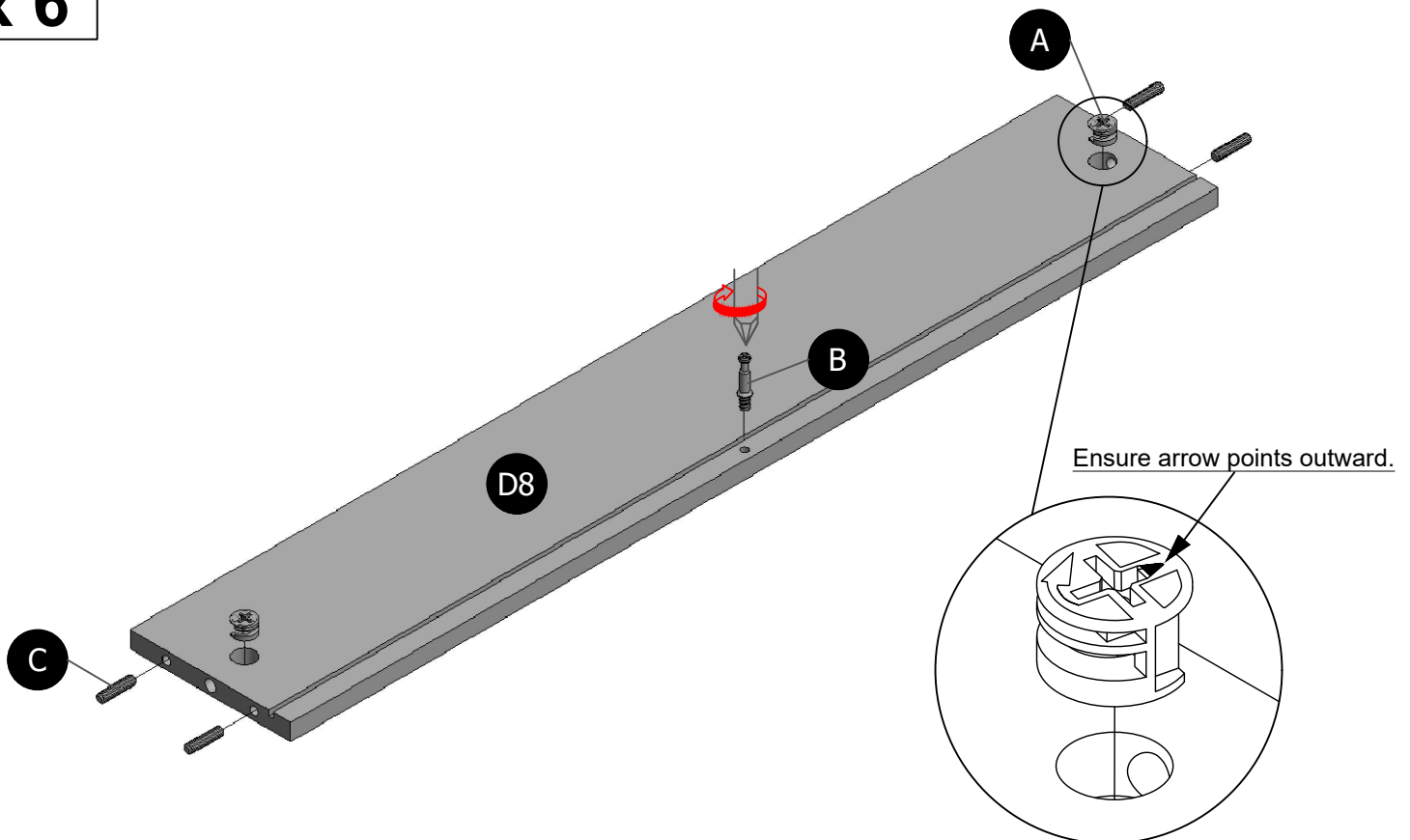
x 6



STEP 22

Insert 2pcs (A) & 4pcs (C) into the (D8), then screw in 1pc (B) as shown.

x 6

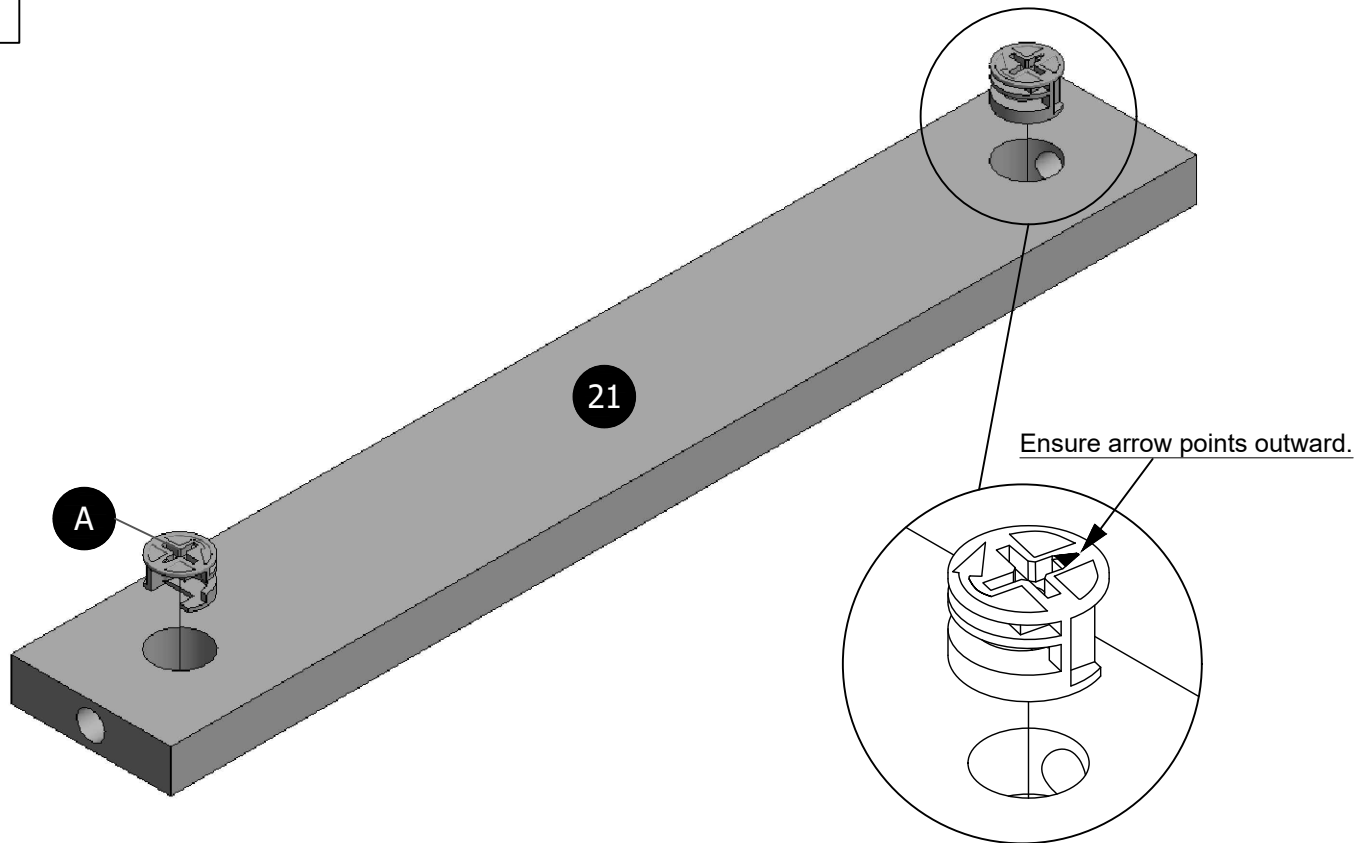


80214 DR ASSEMBLY INSTRUCTION

STEP 23

Insert 2 pcs (A) into the (21) as shown.

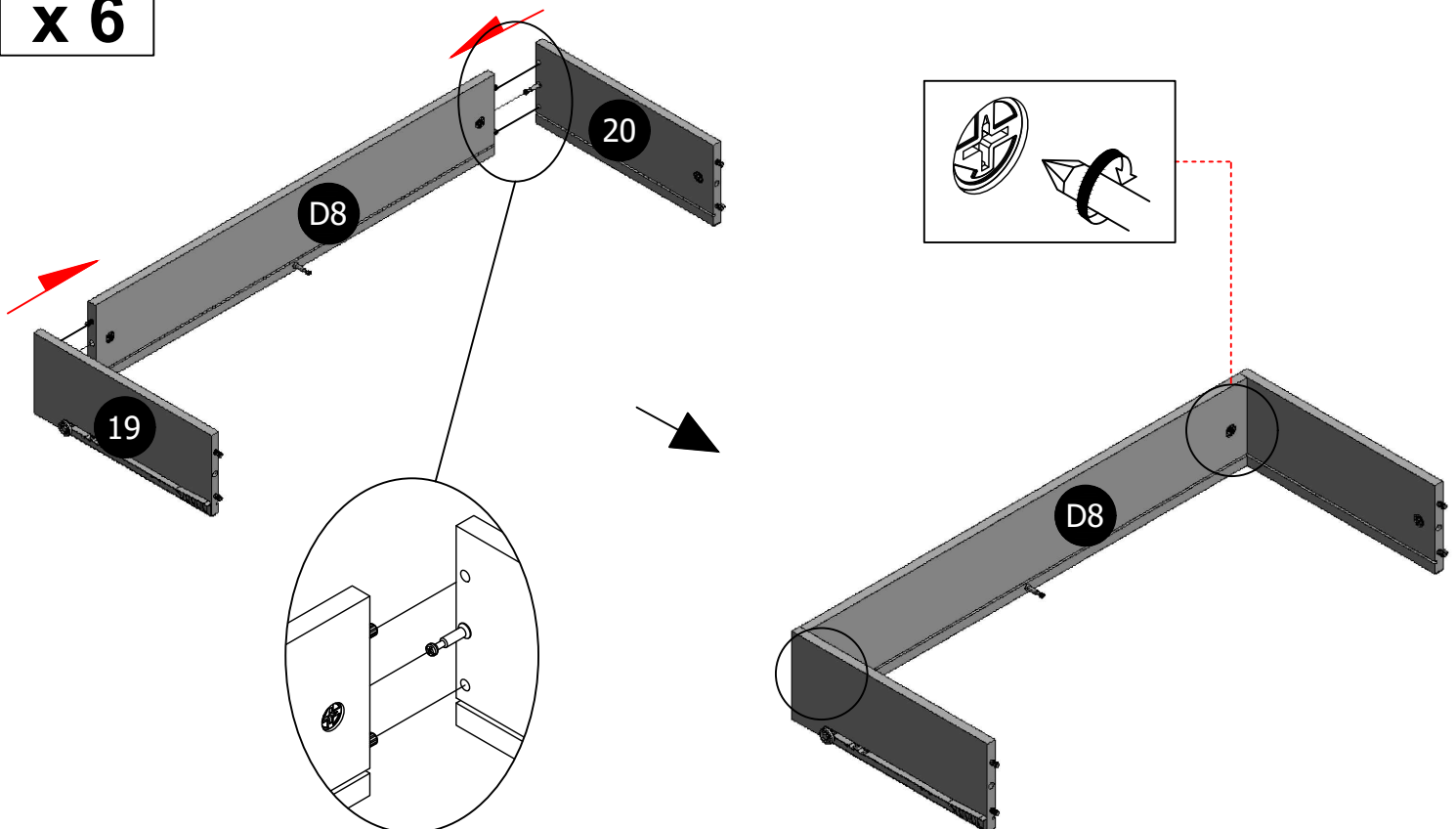
x 6



STEP 24

Combine (19) & (20) into (D8), then tighten 2pcs (A) as shown.

x 6

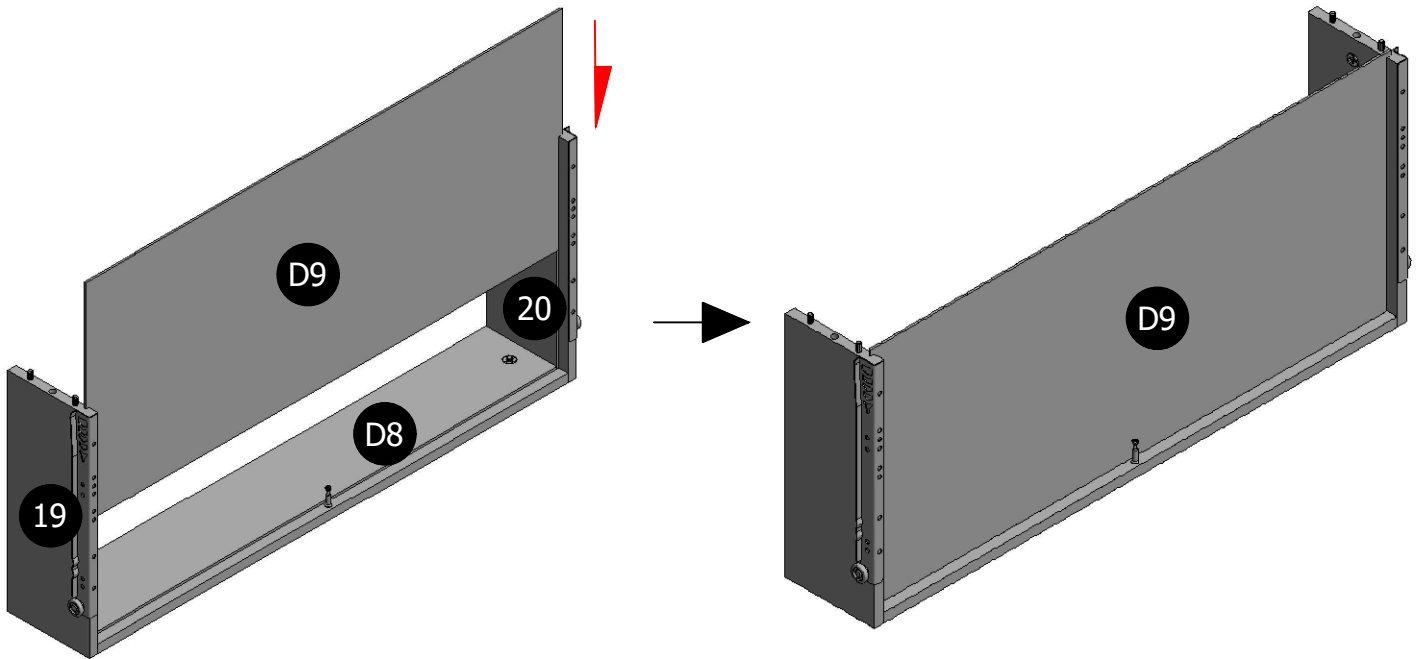


80214 DR ASSEMBLY INSTRUCTION

STEP 25

Insert (D9) into the drawer groove as shown.

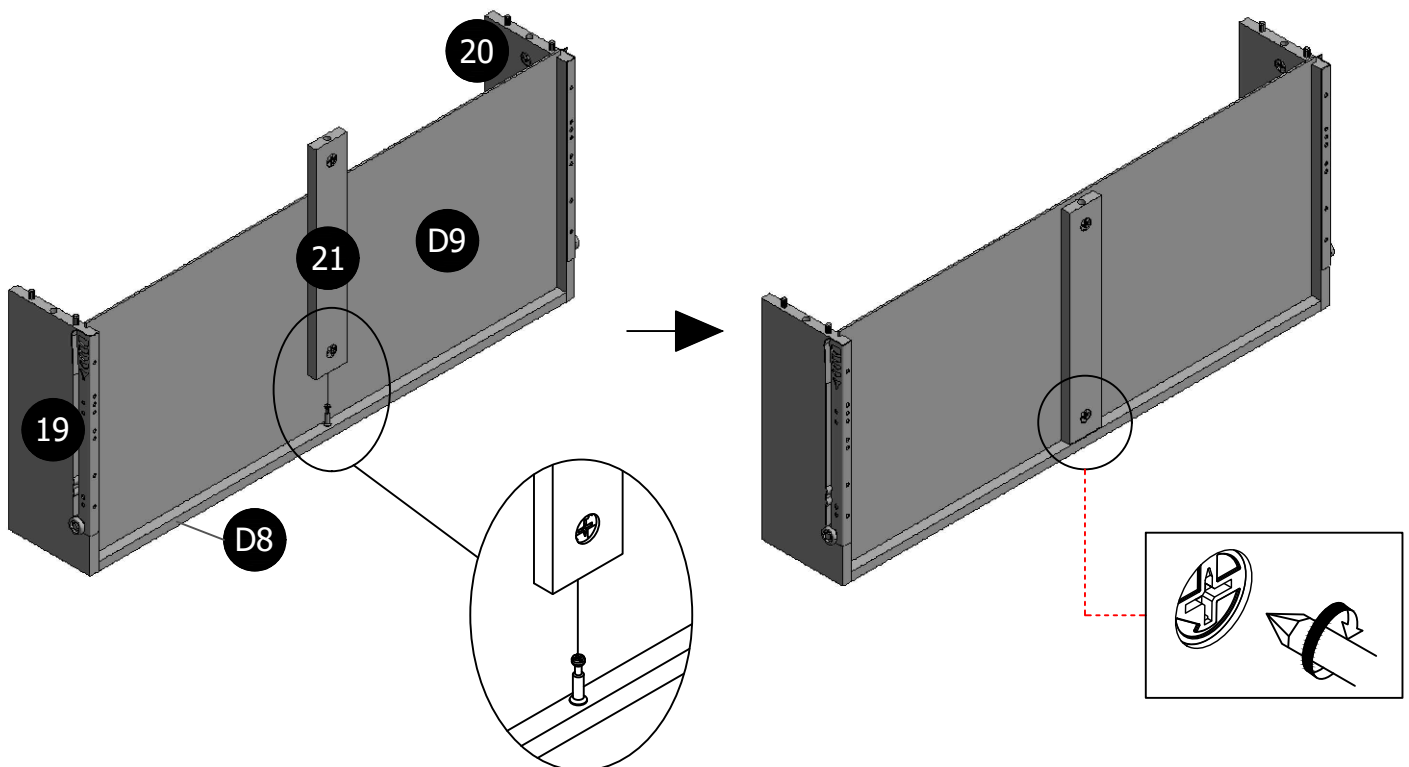
x 6



STEP 26

Combine the (21) onto the (D8), then tighten 1 pc (A) as shown.

x 6

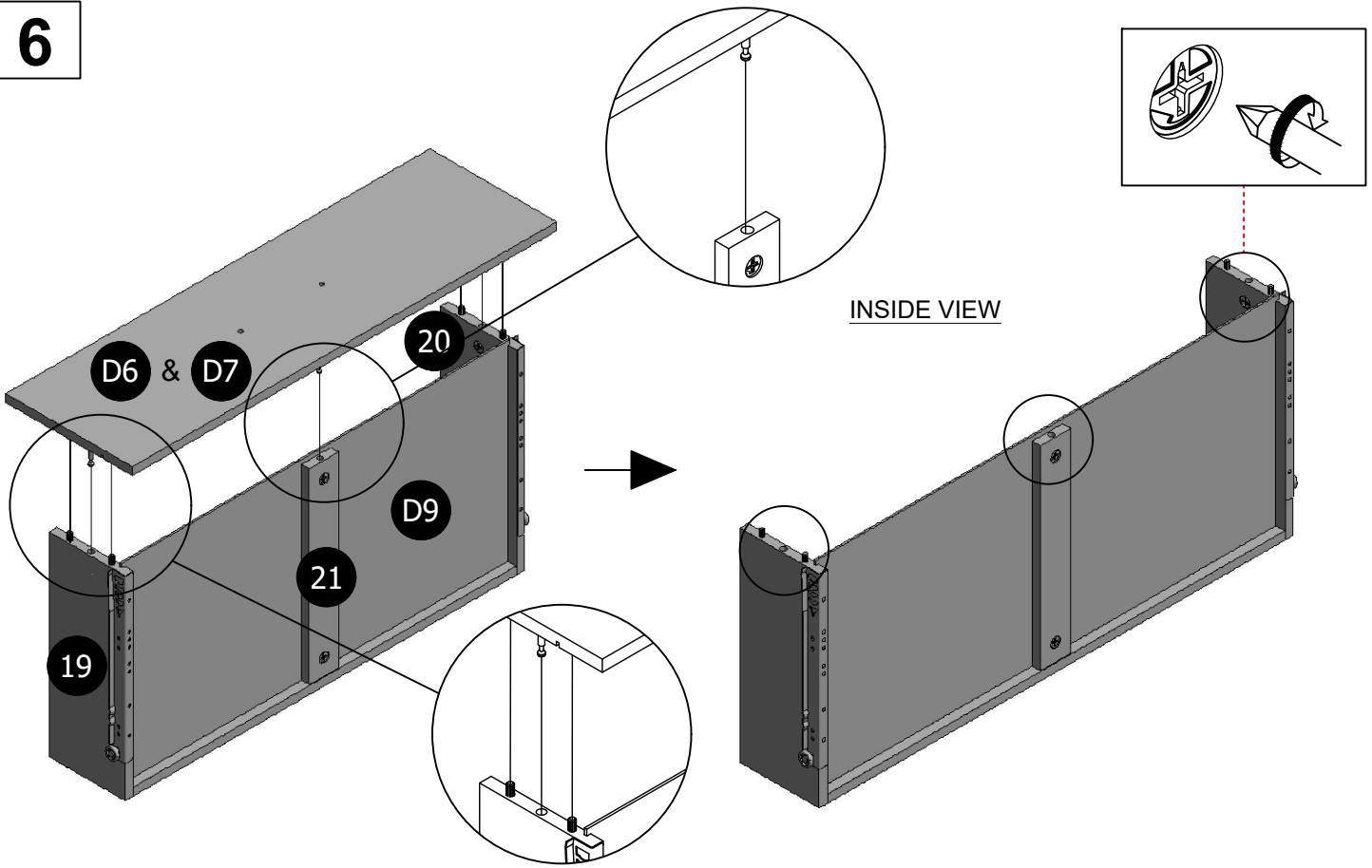


80214 DR ASSEMBLY INSTRUCTION

STEP 27

Combine the (D6) & (D7) onto the drawer frame, then tighten 3pcs (A) as shown.

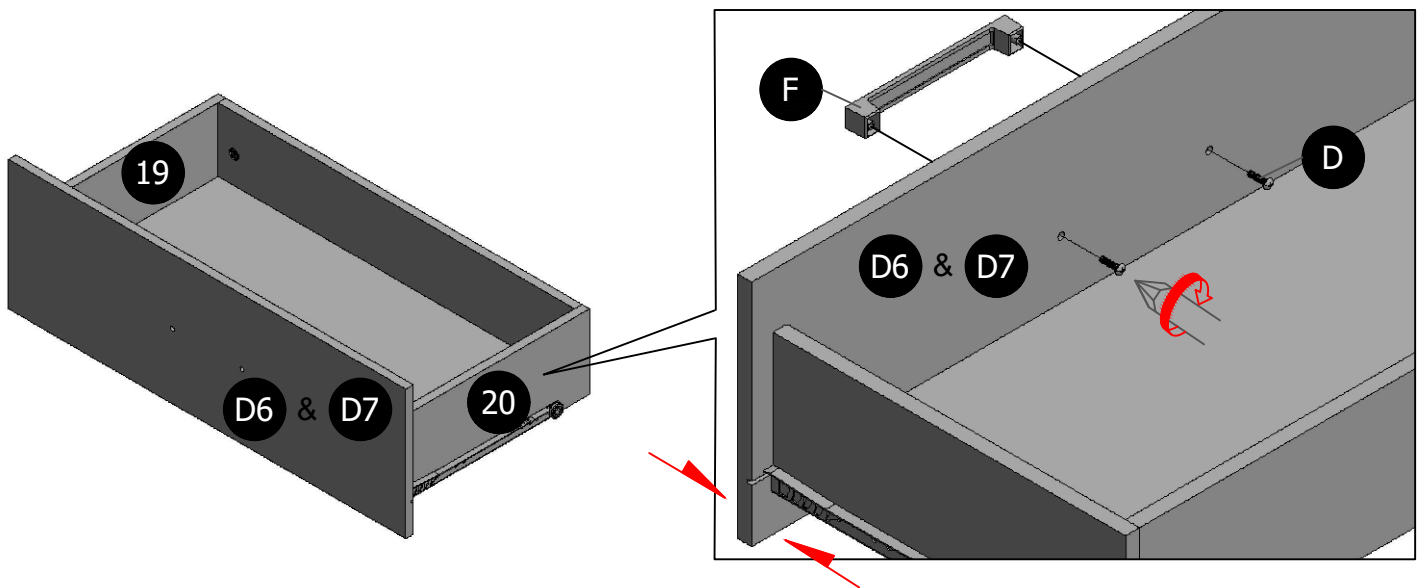
x 6



STEP 28

Screw 2pcs (D) into the (F), as shown.

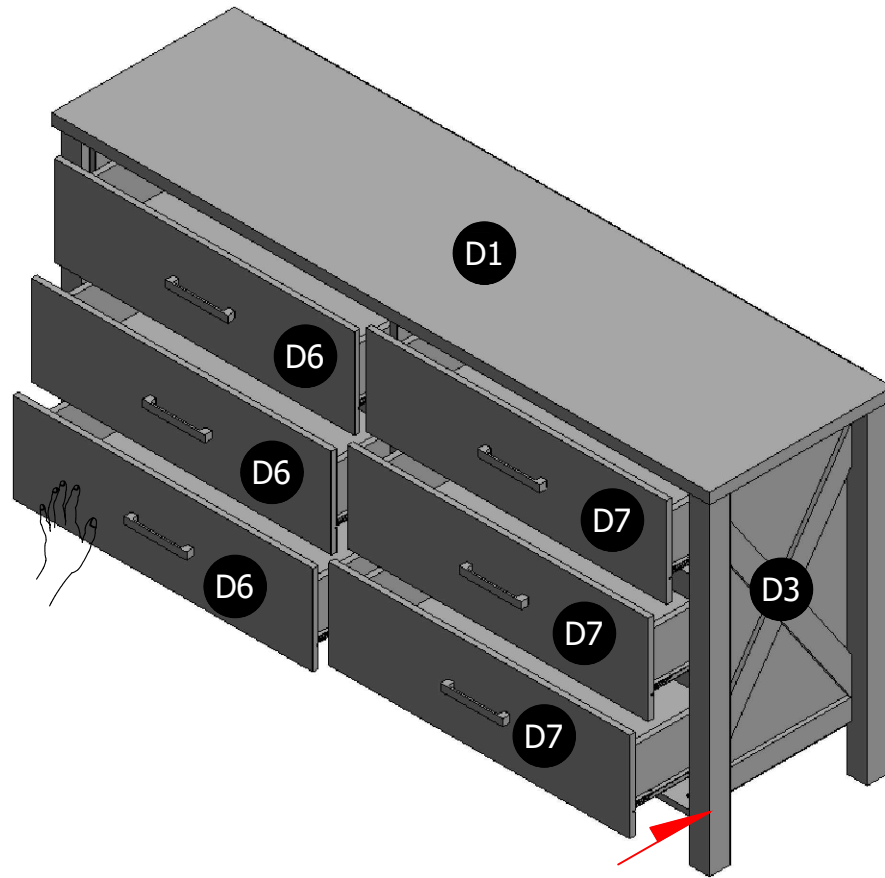
x 6



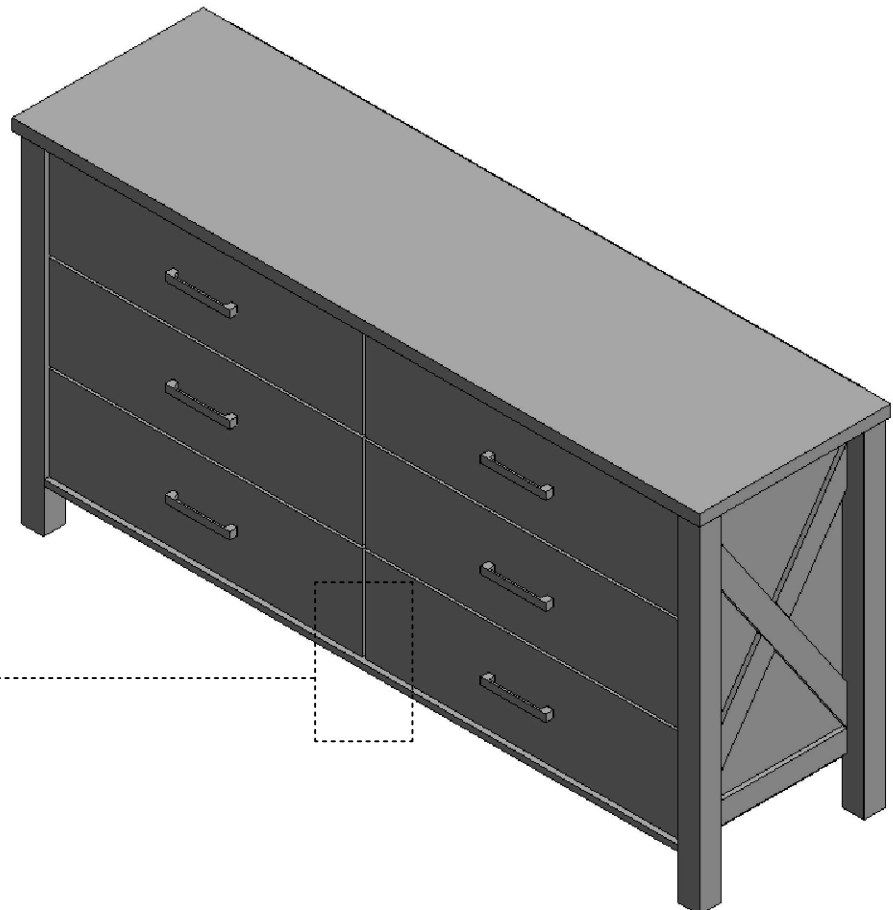
80214 DR ASSEMBLY INSTRUCTION

STEP 29

Align the position then push the 6pcs drawer to inside exactly by your hand as shown.



STEP 30

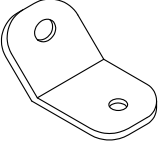
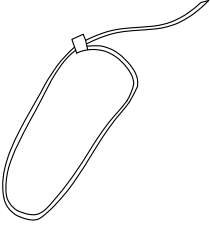
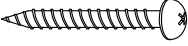



ASSEMBLY COMPLETED

WALL STUD

SAFETY BRACKET INSTRUCTIONS

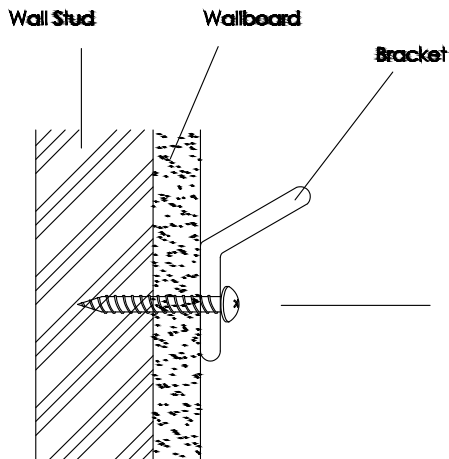
Part Enclosed :

<p>A) Bracket</p>  <p>2x</p>	<p>B) Safety Strap</p>  <p>1x</p>	<p>C) 50mm Pan Head Screw</p>  <p>1x</p>	<p>D) 17mm Pan Head Screw</p>  <p>1x</p>
--	--	--	---

IMPORTANT: Tipping can injure young children. Use of this safety hardware is highly recommended. This safety hardware, when properly installed, can provide furniture protection against unexpected accidental tipping of furniture due to improper use.

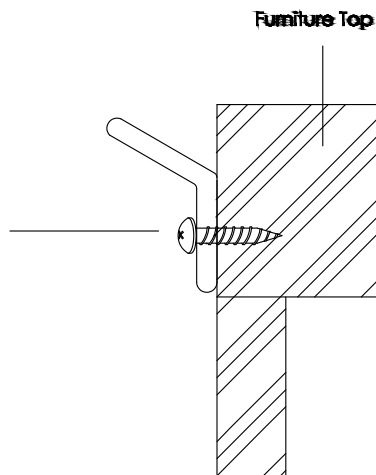
Step 1
 Attach a bracket to the wall board with the 2" screw provided:

- It is recommended that you locate a wall stud behind the furniture unit. If the wall stud is not used, a suitable "Hollow-Wall Anchor Bolt" [not provided] should be used in lieu of the wall stud.
- Position the wall bracket on the stud about 1" below the top of furniture piece.
- Mark the position for the bracket placement on the wall and drill a pilot hole into the stud.
- Attach the bracket to the back of the furniture with the 2" screws provided.



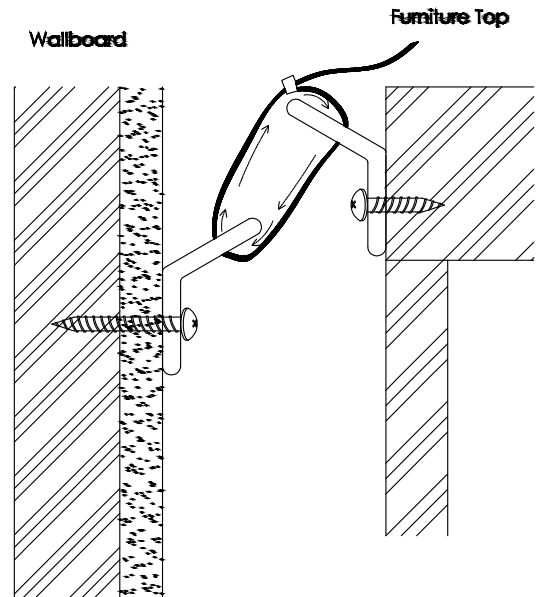
Step 2
 To attach a bracket to the Furniture Frame below to top with the short screws provided :

- Move the furniture piece temporarily to its final position to the wall.
- Mark the location of the bracket on the back of the furniture in relation to the previously mounted wall bracket.
- Move the furniture piece away from the wall mounted bracket and place the other bracket on the mark position on the back of the furniture piece.
- Drill a pilot hole as shown in the figure or into the back furniture frame.
- **Caution:** Mark sure you do not drill completely through the back of the furniture.
- Attach the bracket to the back of the furniture with the 5/8" screws provided.



Step 3
 To Attach the safety strap:

- Move the furniture back to its final position.
- Thread the safety strap through both of the mounted brackets as shown in the illustration.
- Tighten the strap unit snug.
- Do not over tighten.



IMPORTANT: Make sure the brackets are firmly attached to the wall stud and furniture frame and the safety strap is snug.
Warning: This product is not be a substitute for proper parental supervision which is the only proper deterrent to prevent improper use of this unit. The manufacturer assumes no liability for improper installation or excessive loads placed on the safety straps, bracket or mounting screws. This hardware will not insure against tipping.
Note: For taller or heave pieces of furniture, two safety brackets may be installed.

This sticker was stucked at one of the DRAWER LEFT PANEL(20).



Place the drawer which stucked a warning label in the top as shown.

