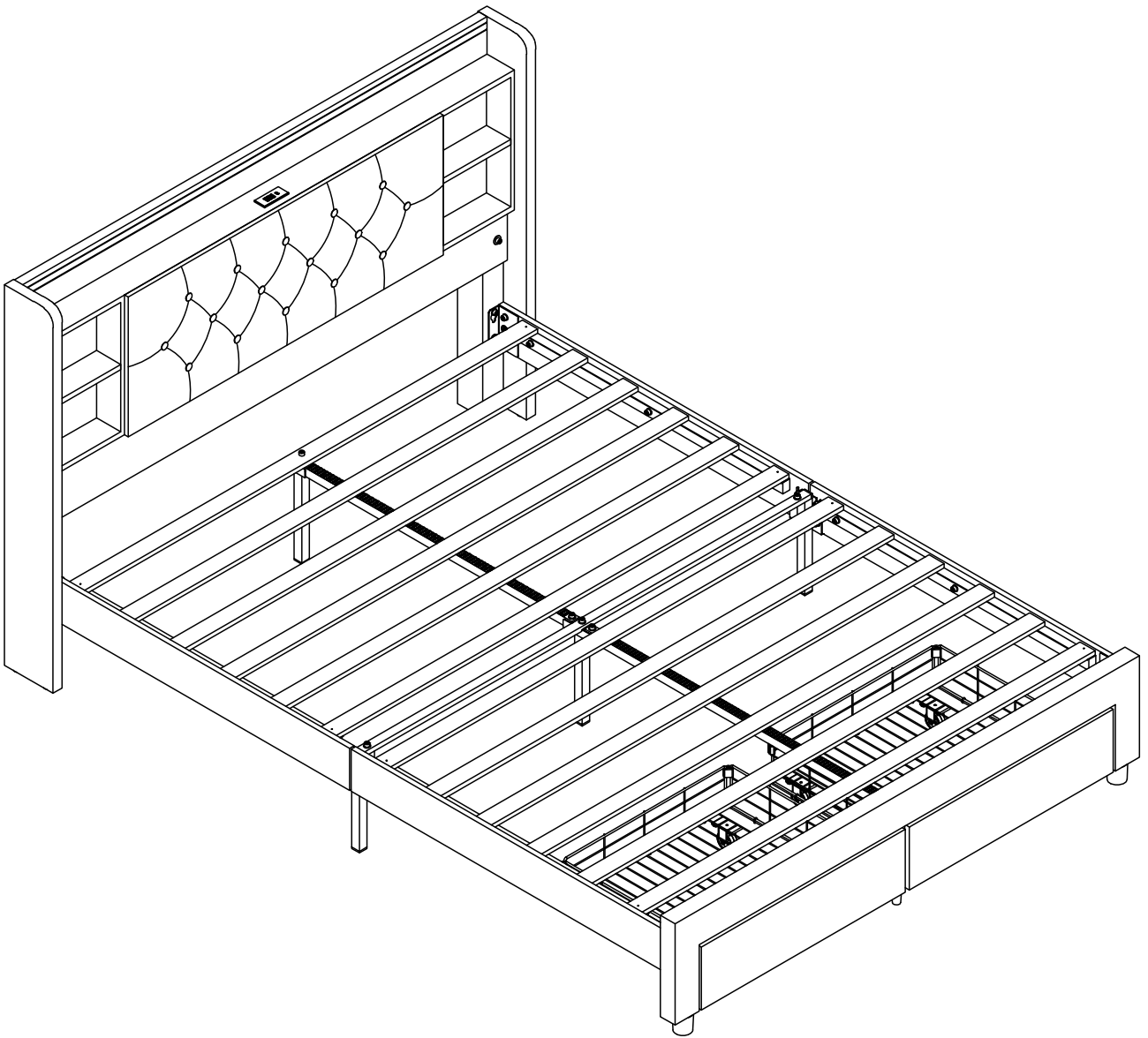


User's Manual

Bed Frame



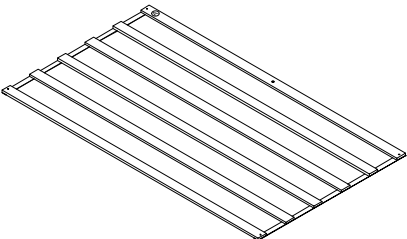
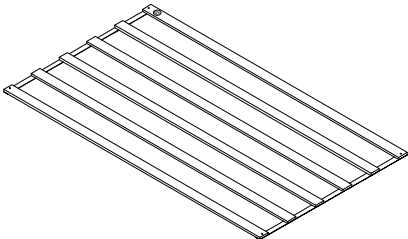
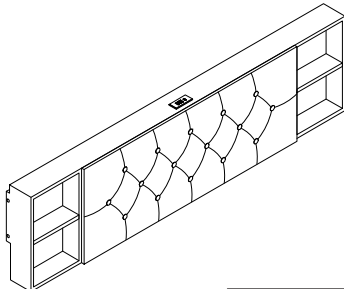
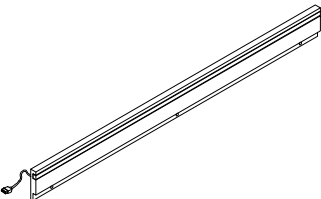
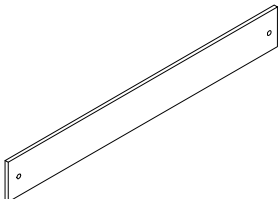

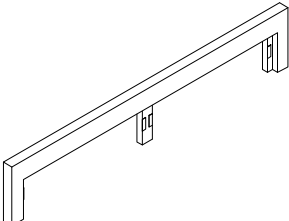
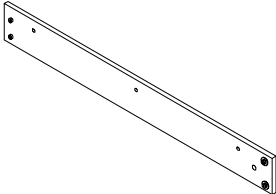
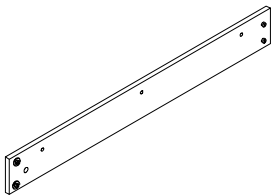
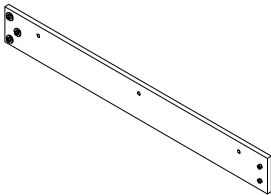
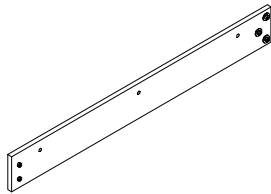
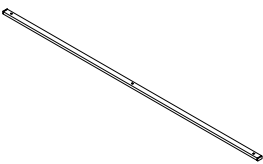
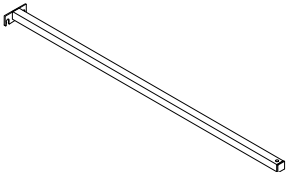
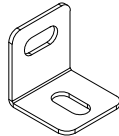
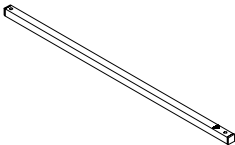
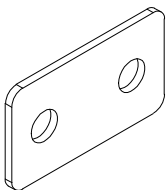
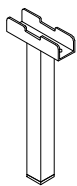
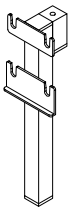
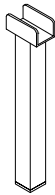
EN | ES

Contact us first if you have any problems, we would do better than Amazon's official service. Replacement for missing or damaged parts will be shipped ASAP!

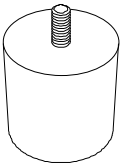
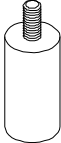
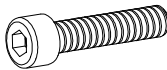
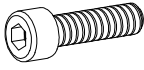

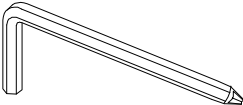
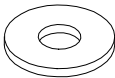
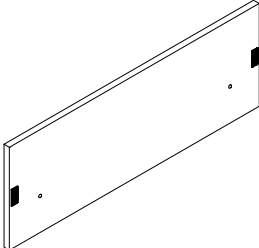
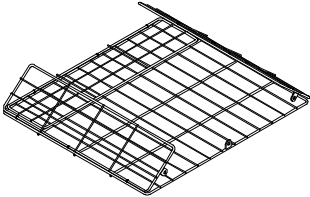



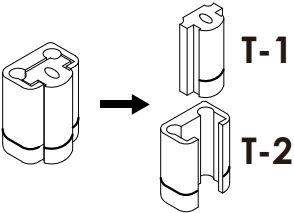
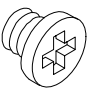
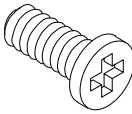
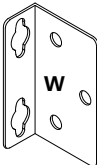
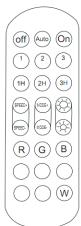

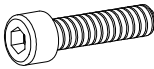
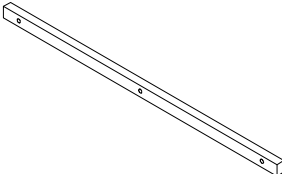
EN | ES

Si tiene algún problema con su producto o pedido, póngase en contacto con nosotros antes de consultar con el servicio de atención al cliente de Amazon, le resolveremos su problema con mayor brevedad. ¡Reemplazamos piezas perdidas o dañadas enviándolas rápidamente

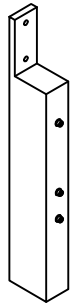
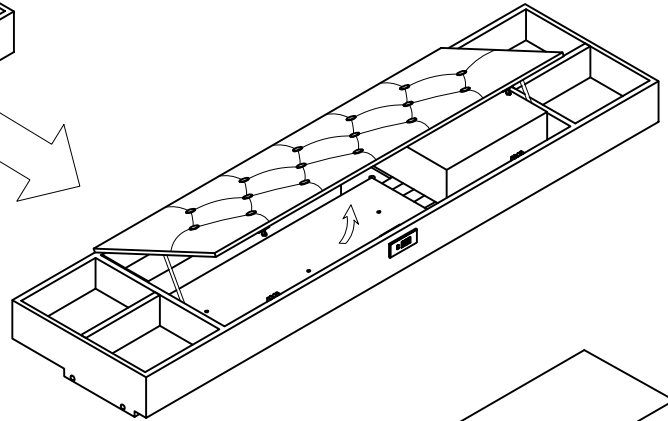
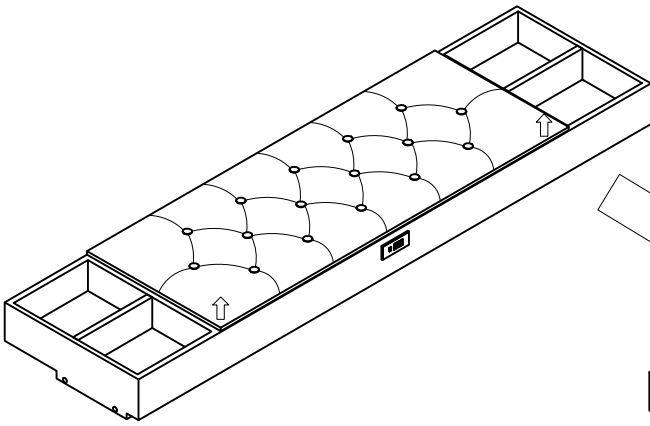
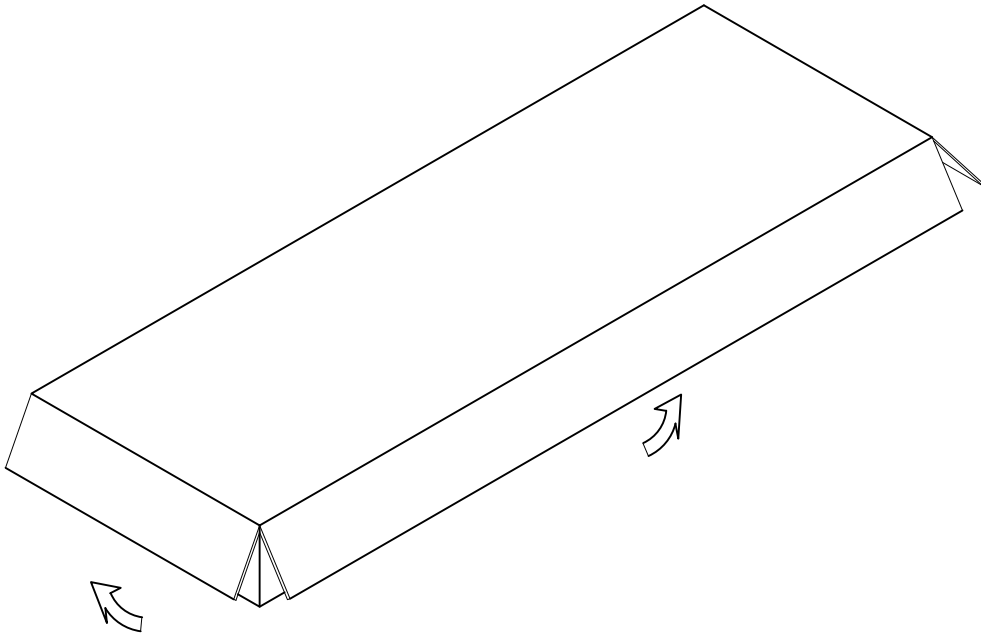
Parts List(EN) / Teile Liste(DE)

<p>A Front Slat</p>  <p style="text-align: center; border: 1px solid black; padding: 2px;">1PC</p>	<p>B Back Slat</p>  <p style="text-align: center; border: 1px solid black; padding: 2px;">1PC</p>	<p>C Headboard</p>  <p style="text-align: center; border: 1px solid black; padding: 2px;">1PC</p>	
<p>C1 Bedside board</p>  <p style="text-align: center; border: 1px solid black; padding: 2px;">1PC</p>	<p>C2 Bedside board</p>  <p style="text-align: center; border: 1px solid black; padding: 2px;">1PC</p>	<p>D Headboard side leg</p>  <p style="text-align: center; border: 1px solid black; padding: 2px;">2PCS</p>	<p>E Footboard</p>  <p style="text-align: center; border: 1px solid black; padding: 2px;">1PC</p>
<p>F1 Left front of siderail</p>  <p style="text-align: center; border: 1px solid black; padding: 2px;">1PC</p>	<p>F2 Right front of siderail</p>  <p style="text-align: center; border: 1px solid black; padding: 2px;">1PC</p>	<p>F3 Left back of siderail</p>  <p style="text-align: center; border: 1px solid black; padding: 2px;">1PC</p>	<p>F4 Right back of siderail</p>  <p style="text-align: center; border: 1px solid black; padding: 2px;">1PC</p>
<p>G The brace</p>  <p style="text-align: center; border: 1px solid black; padding: 2px;">1PC</p>	<p>H Back Middle cross beam</p>  <p style="text-align: center; border: 1px solid black; padding: 2px;">1PC</p>	<p>I L Shape connector</p>  <p style="text-align: center; border: 1px solid black; padding: 2px;">2PCS</p>	<p>I1 Front Middle cross beam</p>  <p style="text-align: center; border: 1px solid black; padding: 2px;">1PC</p>
<p>I2 Connecting Iron</p>  <p style="text-align: center; border: 1px solid black; padding: 2px;">2PCS</p>	<p>J Middle leg</p>  <p style="text-align: center; border: 1px solid black; padding: 2px;">1PC</p>	<p>K Edge of the foot</p>  <p style="text-align: center; border: 1px solid black; padding: 2px;">2PCS</p>	<p>L Front Leg</p>  <p style="text-align: center; border: 1px solid black; padding: 2px;">1PC</p>

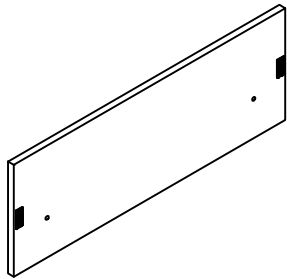
Parts List(EN) / Teile Liste(DE)

<p>M Bed leg</p>  <p style="text-align: right;">2PCS</p>	<p>M1 Bed leg</p>  <p style="text-align: right;">1PC</p>	<p>N Innerscrew</p>  <p>M8×45mm 8+1PCS</p>	<p>N1 Innerscrew</p>  <p>M8×30mm 3PCS</p>
<p>O Screw</p>  <p>M3.5×25mm 8+1PCS</p>	<p>P Inner allen wrench</p>  <p style="text-align: right;">1PC</p>	<p>P1 Gasket</p>  <p style="text-align: right;">33PCS</p>	<p>Q Drawer panel</p>  <p style="text-align: right;">2PCS</p>
<p>R Drawer</p>  <p style="text-align: right;">2PCS</p>	<p>R1 Left wing</p>  <p style="text-align: right;">1PC</p>	<p>R2 Right wing</p>  <p style="text-align: right;">1PC</p>	<p>S Drawer wheel</p>  <p style="text-align: right;">8PCS</p>
<p>T Drawer connector</p>  <p style="text-align: right;">4PCS</p>	<p>U Screw</p>  <p>M6×6mm 8+1PCS</p>	<p>V Screw</p>  <p>M6×15mm 6PCS</p>	<p>W Bracket</p>  <p style="text-align: right;">4PCS</p>
<p>W1 Controller</p>  <p style="text-align: right;">1PC</p>	<p>X1 Receiver</p>  <p style="text-align: right;">1PC</p>	<p>Y Innerscrew</p>  <p>M8×40mm 20+1PCS</p>	<p>Z Support Wood</p>  <p style="text-align: right;">4PCS</p>

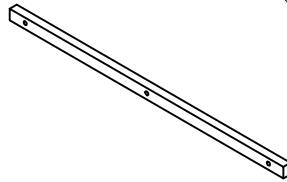
Assembly Instruction of (Bed)



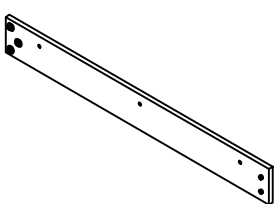
D * 2PCS



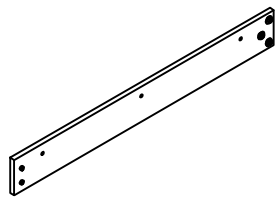
Q * 2PCS



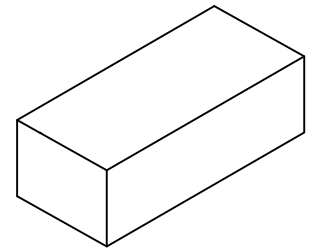
Z * 4PCS



F3 * 1PC



F4 * 1PC

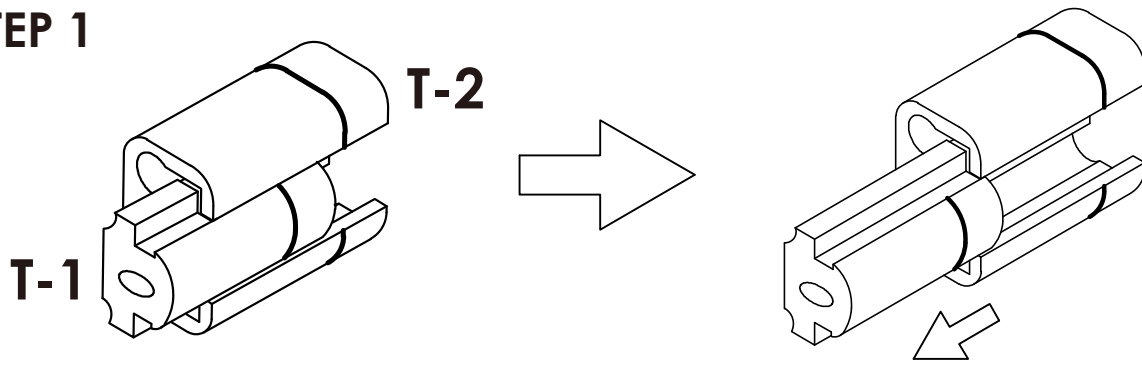


**Accessories
box *1PC**

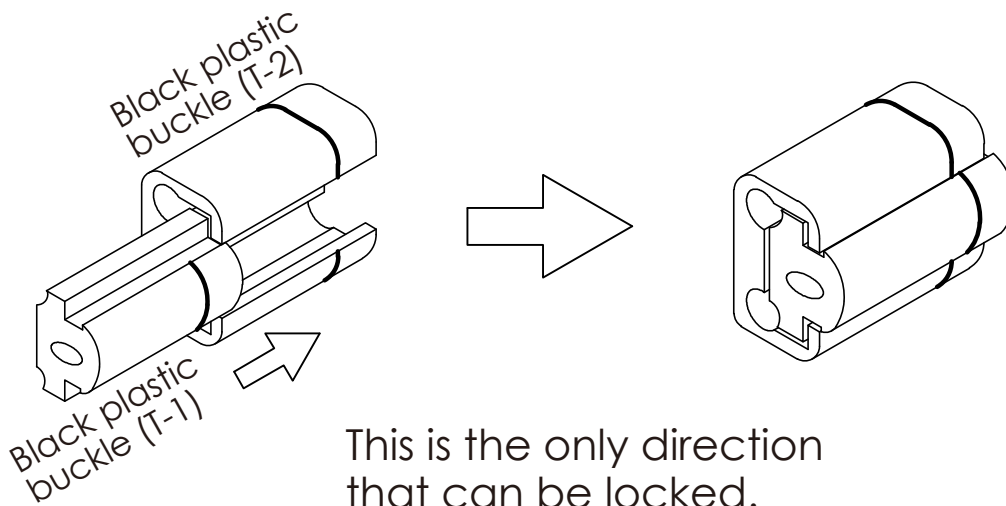
**I, I2, J, K, L, M, M1, N, N1, O
P, P1, S, T, U, V, W, W1, X1, Y**

Assembly Instruction of (Drawer)

STEP 1

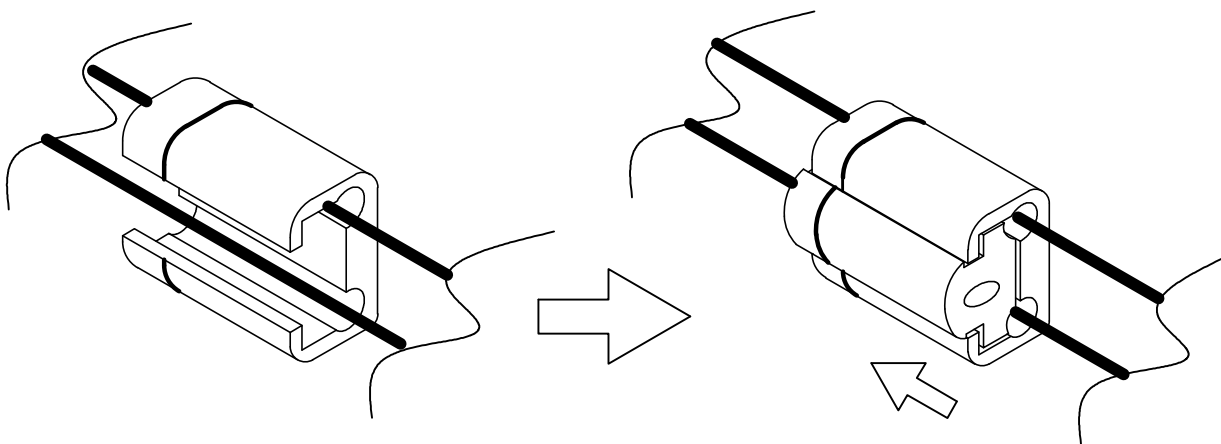


You can pull the buckle out by following the direction indicated by the arrow



This is the only direction that can be locked.

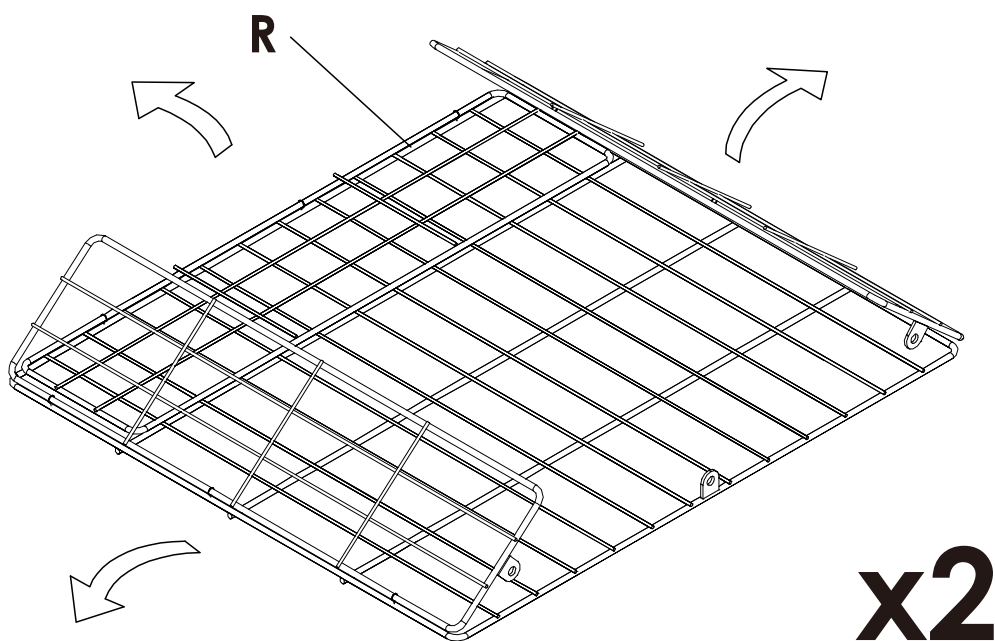
STEP 2



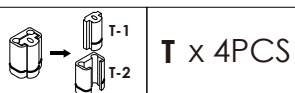
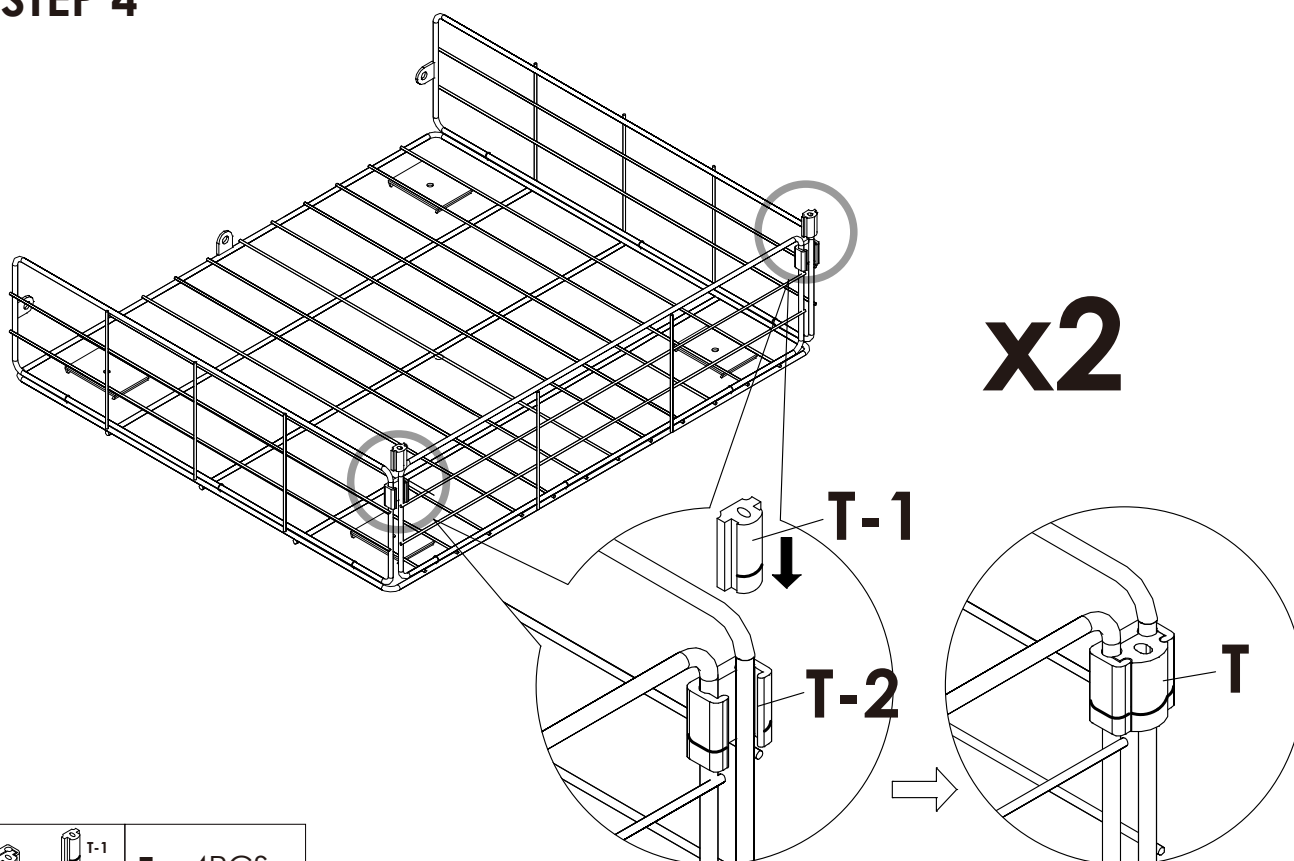
Place the round iron tubes as shown for better assembly of the drawers.

Assembly Steps(EN) / Montageschritte(DE)

STEP 3

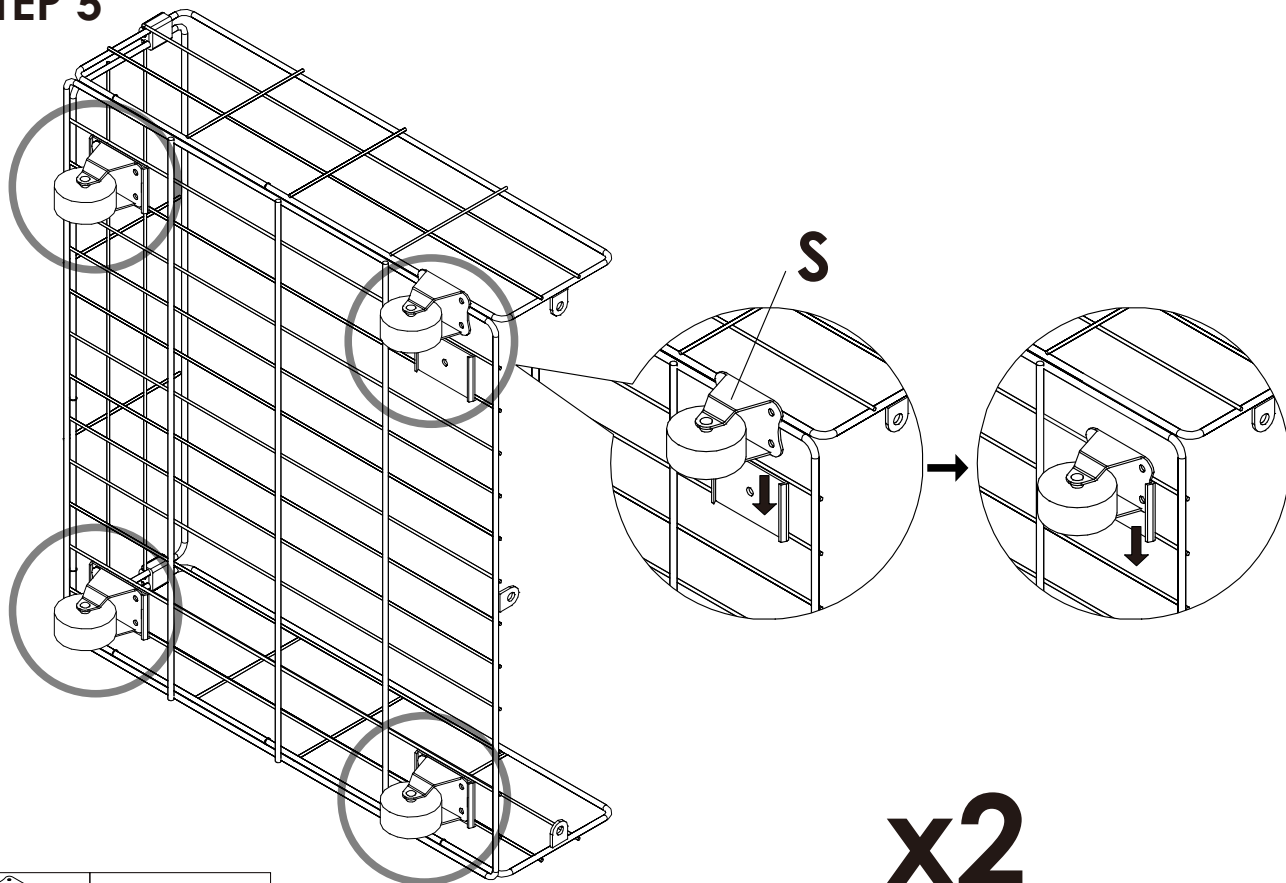


STEP 4



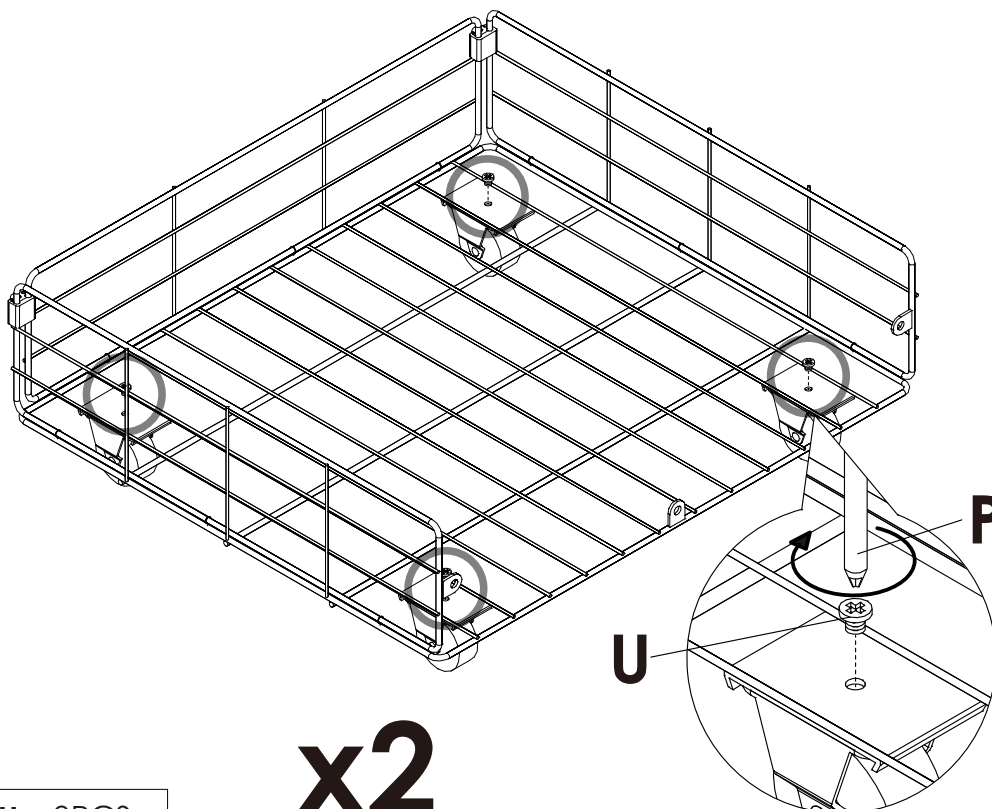
Assembly Steps(EN) / Montageschritte(DE)

STEP 5



S x 8PCS

STEP 6



U x 8PCS

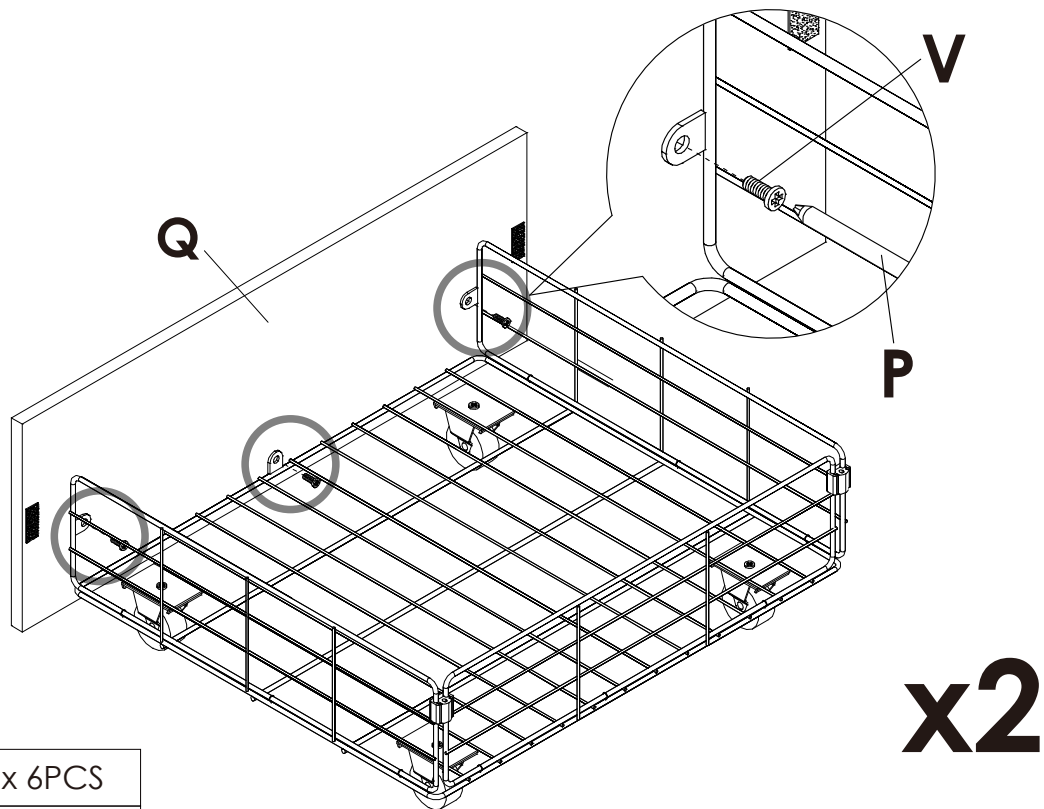


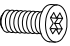

P x 1PC

NOTE: The wheels do not require screw holes.

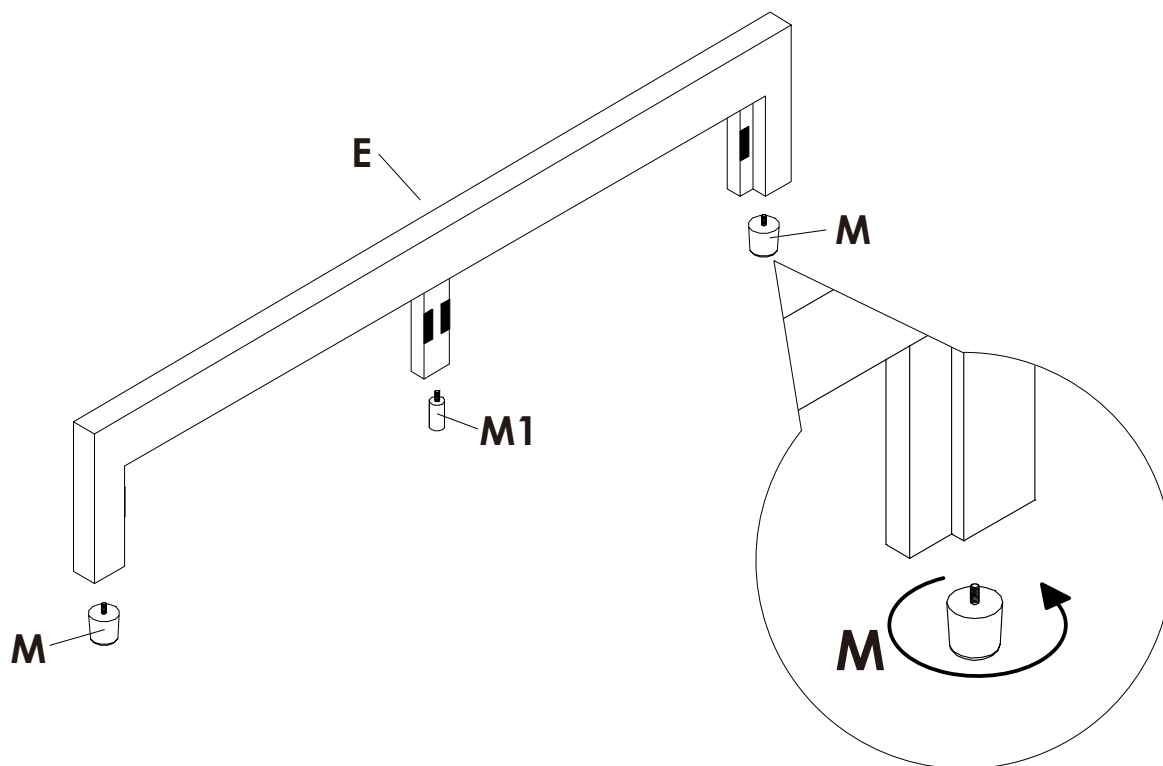
Assembly Steps(EN) / Montageschritte(DE)

STEP 7



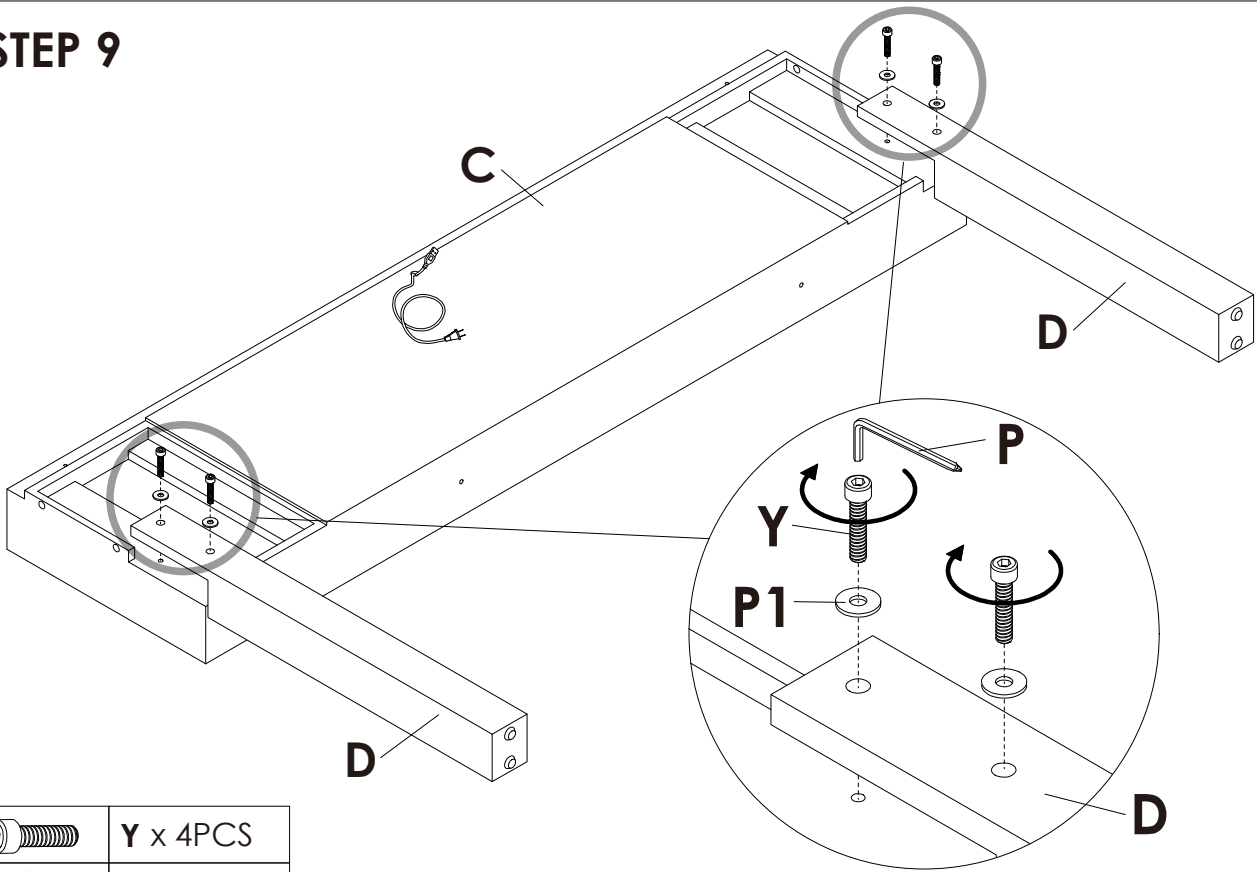
	V x 6PCS
	P x 1PC

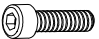


STEP 8



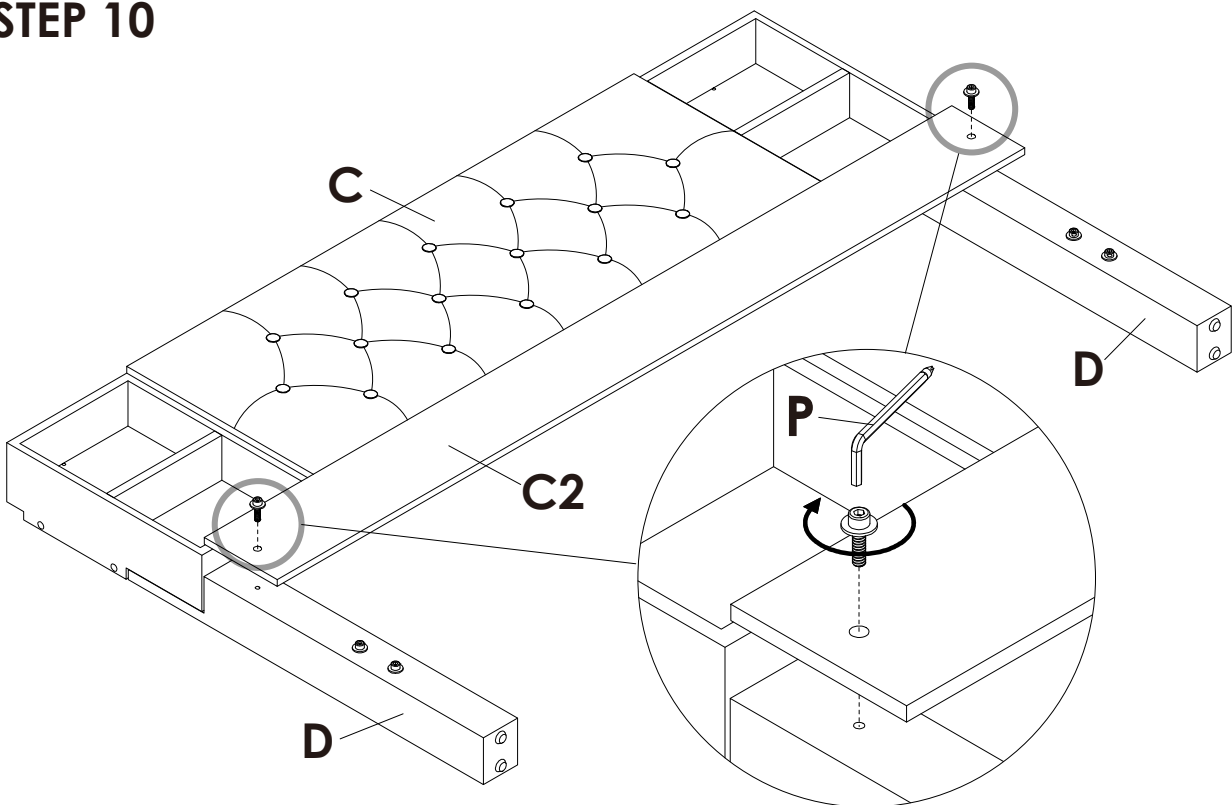
Assembly Instruction of (Bed)

STEP 9



	Y x 4PCS
	P1 x 4PCS
	P x 1PC

STEP 10

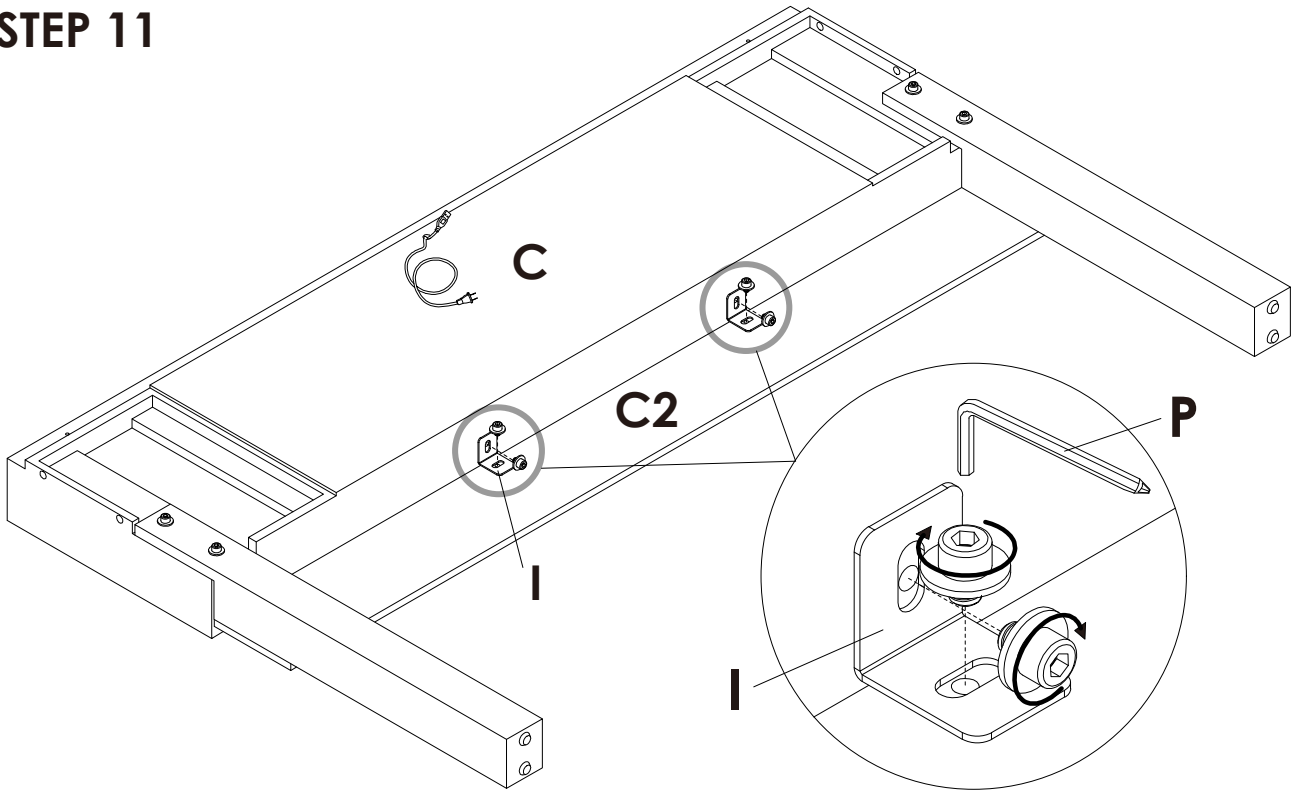


	P x 1PC
---	---------



Flip the headboard to the front side, loosen the pre-installed screws on the **D**-foot, align the holes of the **C2** plate, and then secure them with screws.

Assembly Instruction of (Bed)

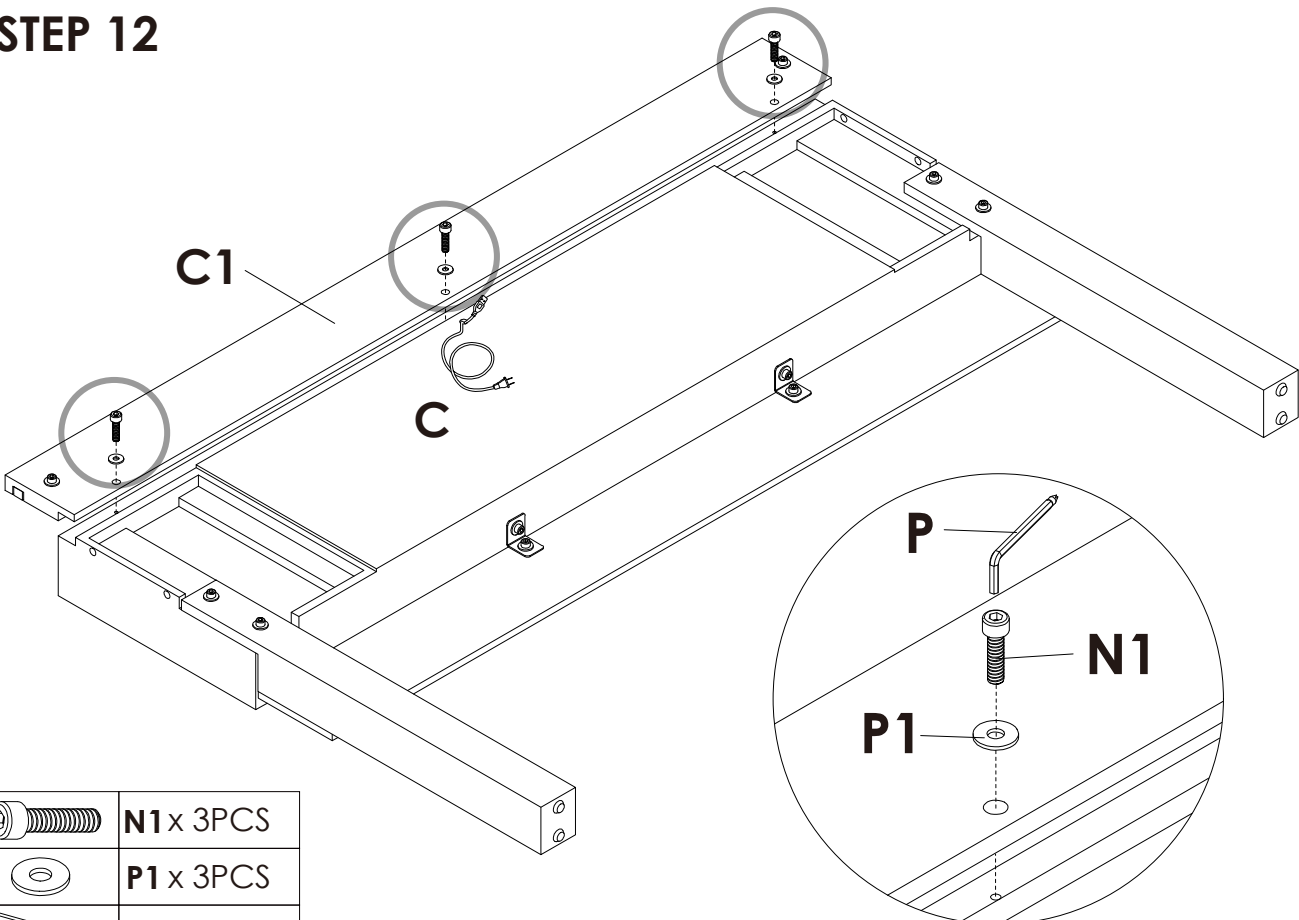
STEP 11

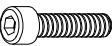




Flip the headboard to the back side, loosen the pre-installed screws on both the **C2** plate and the **C** headboard, align the holes with the **I** iron plate, and then install the screws.

	I x 2PCS
	P x 1PC

STEP 12



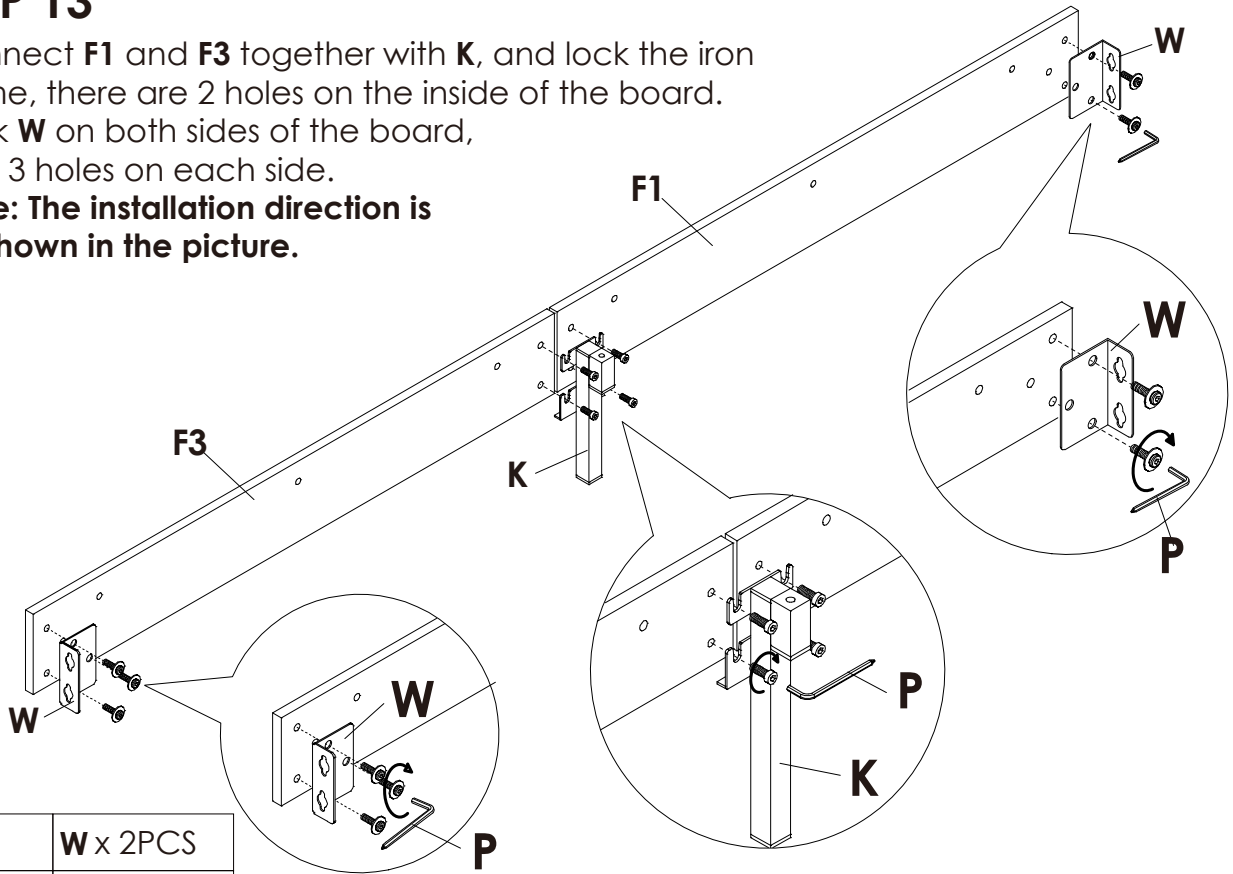
	N1 x 3PCS
	P1 x 3PCS
	P x 1PC



Assembly Instruction of (Bed)

STEP 13

Connect **F1** and **F3** together with **K**, and lock the iron frame, there are 2 holes on the inside of the board. Lock **W** on both sides of the board, with 3 holes on each side.

Note: The installation direction is as shown in the picture.

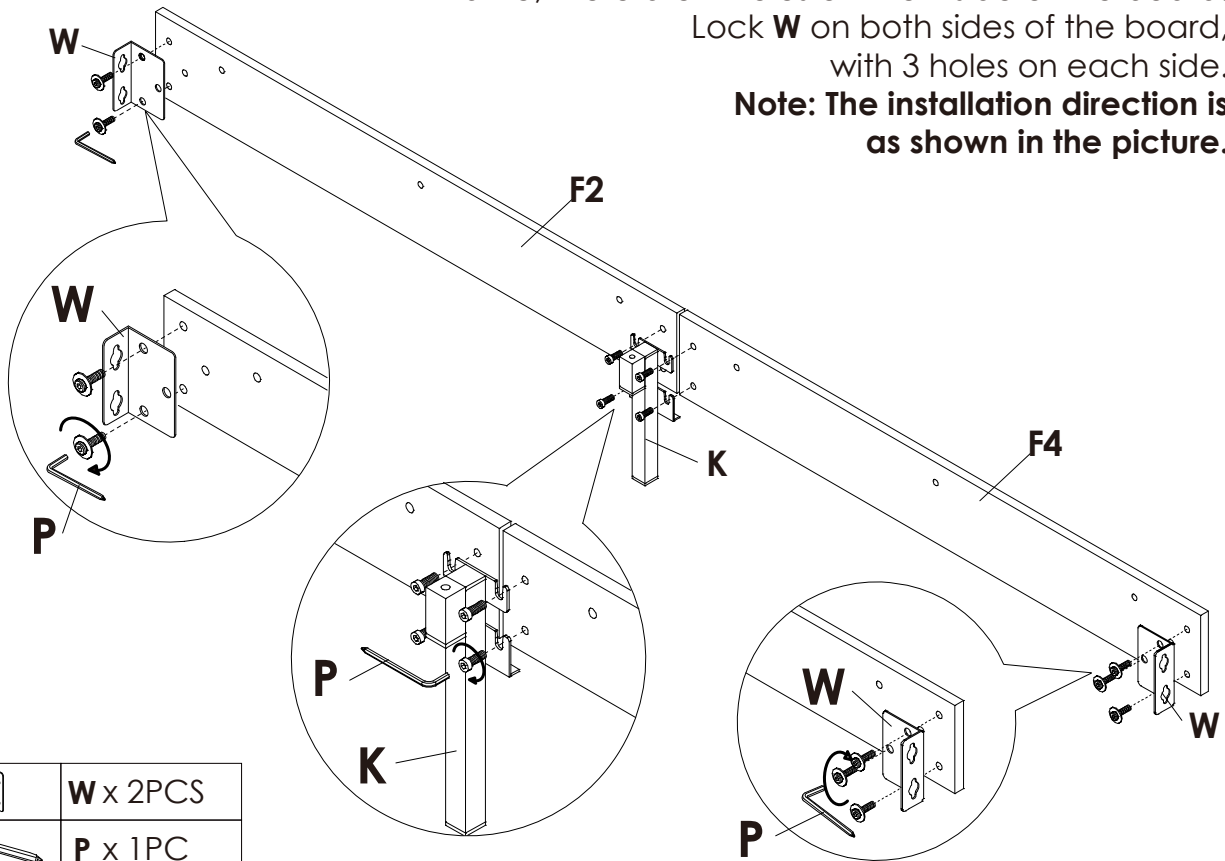




	W x 2PCS
	P x 1PC

STEP 14

Connect **F2** and **F4** together with **K**, and lock the iron frame, there are 2 holes on the inside of the board. Lock **W** on both sides of the board, with 3 holes on each side.

Note: The installation direction is as shown in the picture.

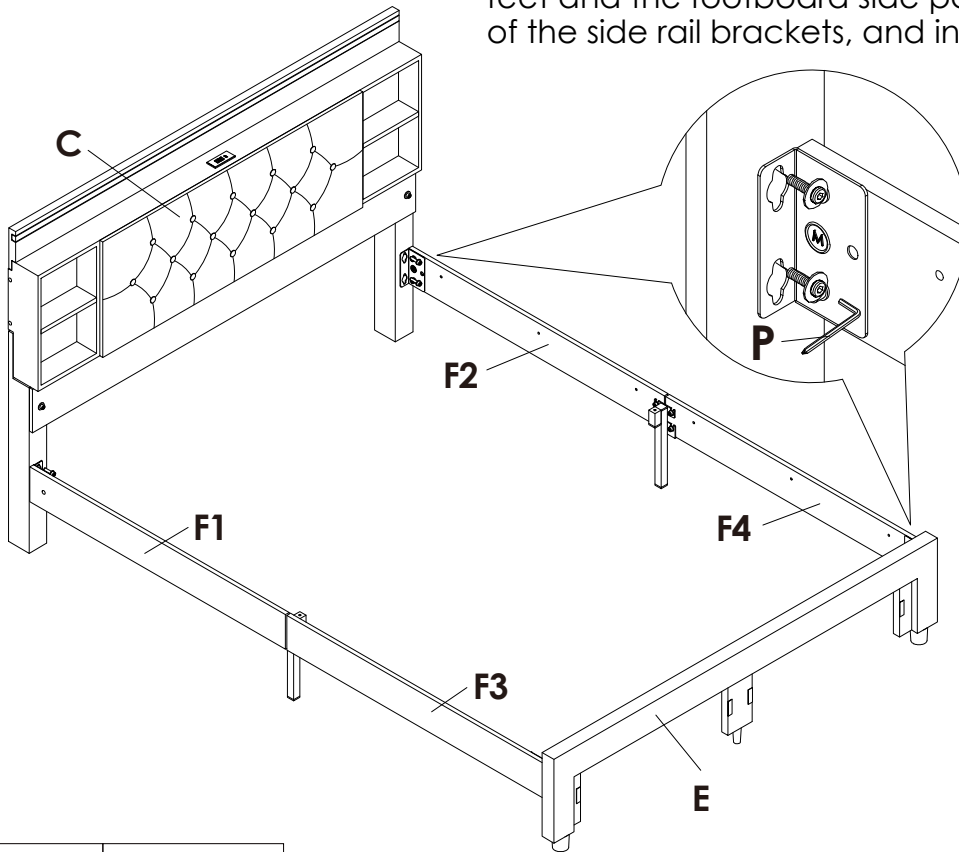


	W x 2PCS
	P x 1PC

Assembly Instruction of (Bed)

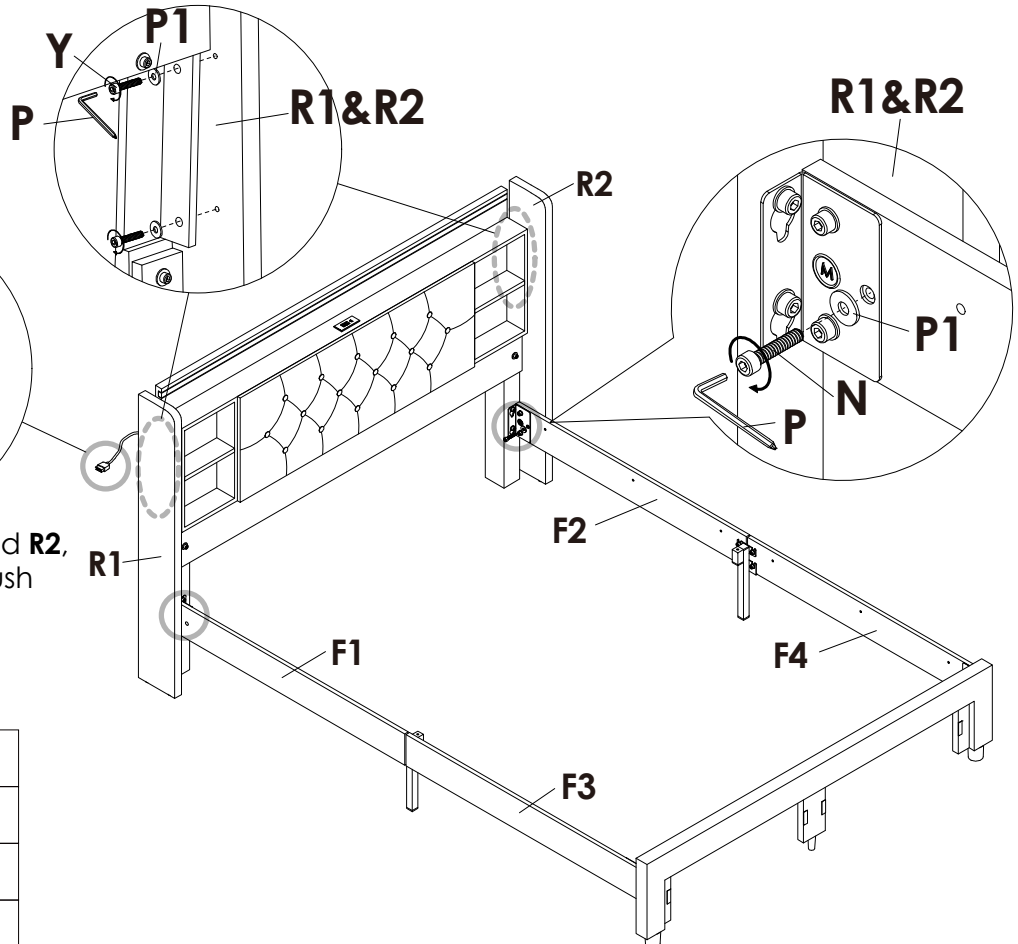
STEP 15

Loosen the preinstalled screws on the headboard feet and the footboard side panels, align the holes of the side rail brackets, and install the screws.



P x 1PC

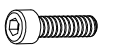
STEP 16



When installing **R1** and **R2**, be careful not to crush the light strip wires



N x 2PCS



Y x 4PCS



P1 x 6PCS

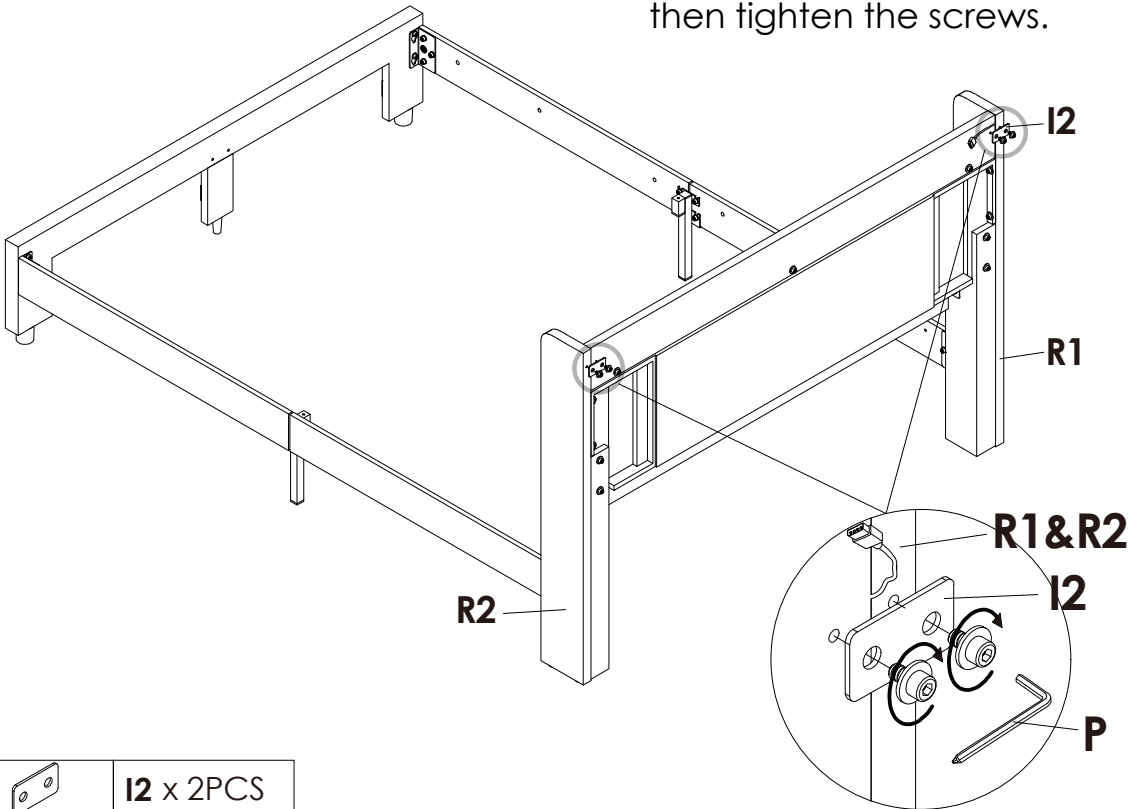


P x 1PC

Assembly Instruction of (Bed)

STEP 17

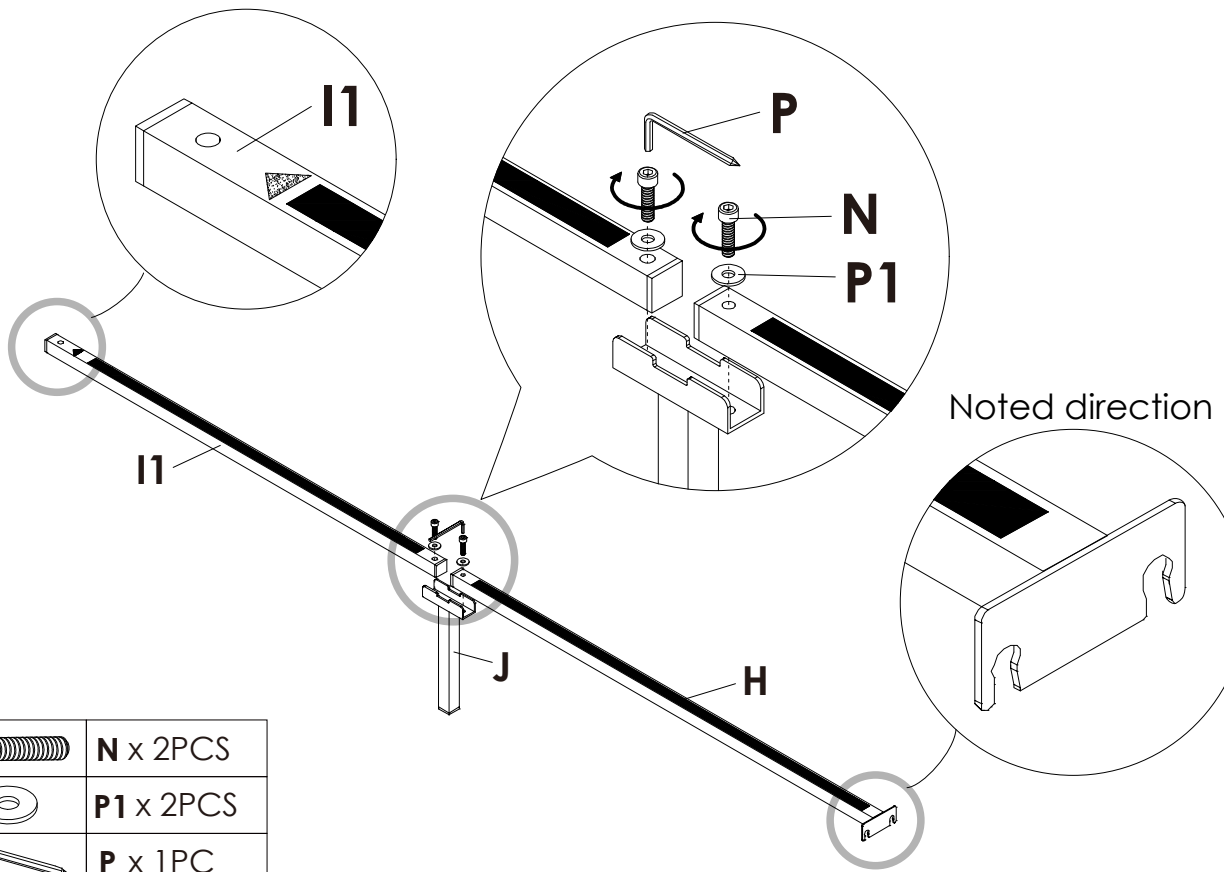
Loosen the pre-installed screws align the holes of the **I2** iron plate, then tighten the screws.



	I2 x 2PCS
	P x 1PC

STEP 18

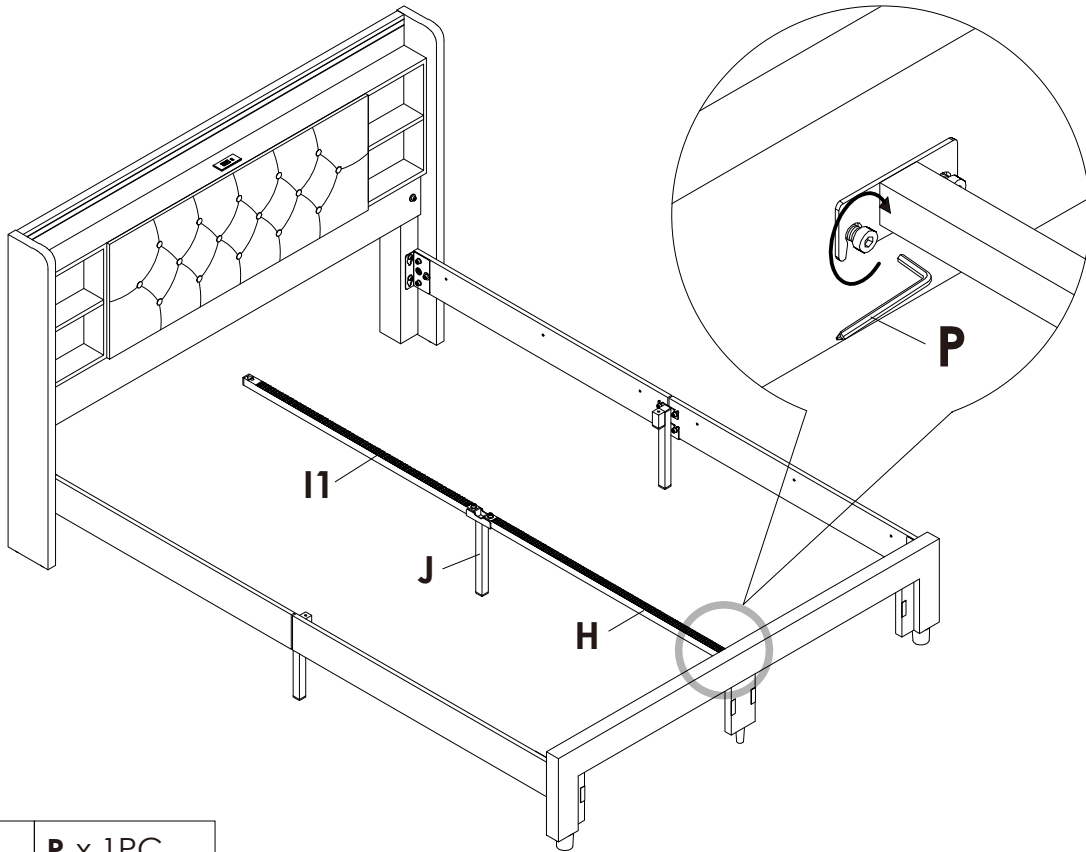
Noted that the red arrow is pointing towards the headboard.



	N x 2PCS
	P1 x 2PCS
	P x 1PC

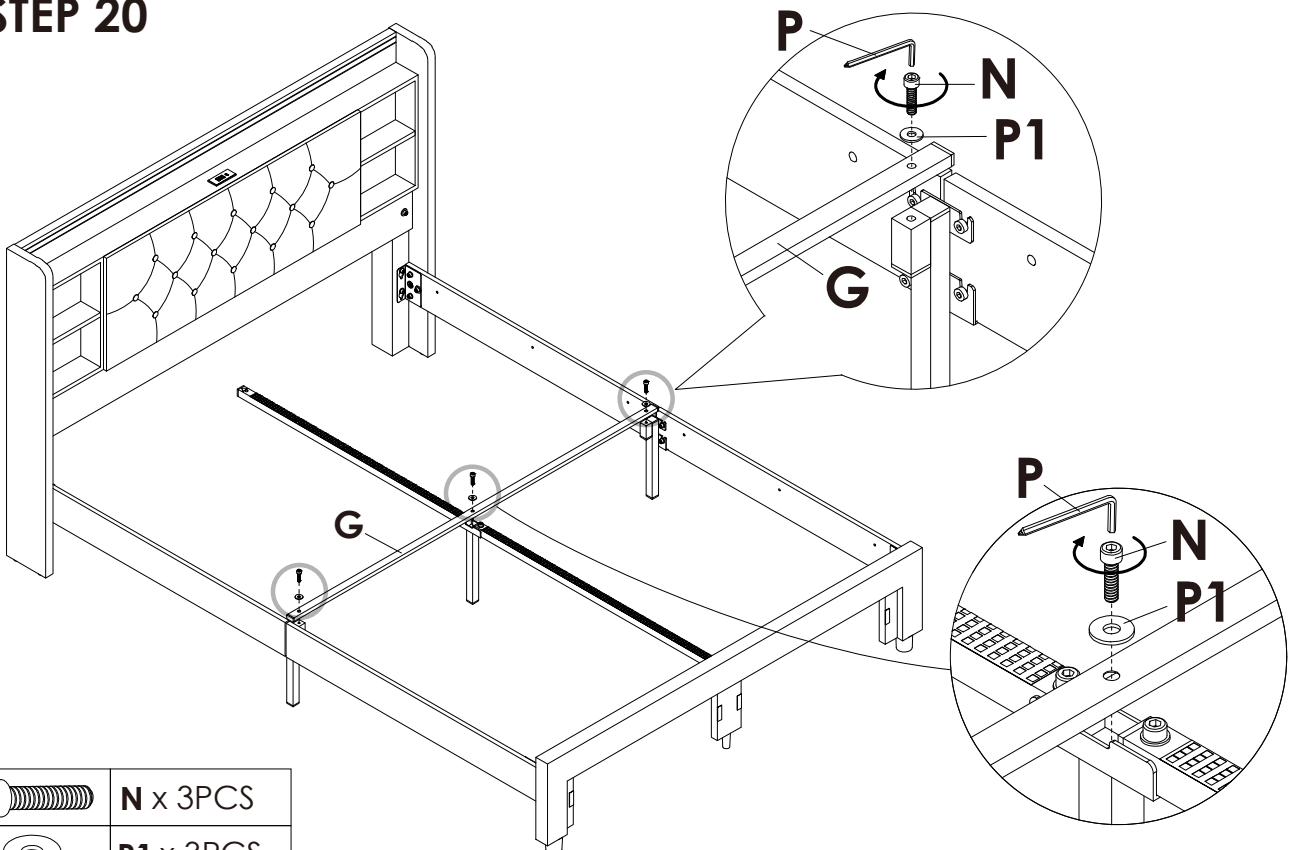
Assembly Instruction of (Bed)

STEP 19 Loosen the screw in the middle of the footboard, hang the bracket, and tighten the internal screws.



 **P x 1PC**

STEP 20



 **N x 3PCS**

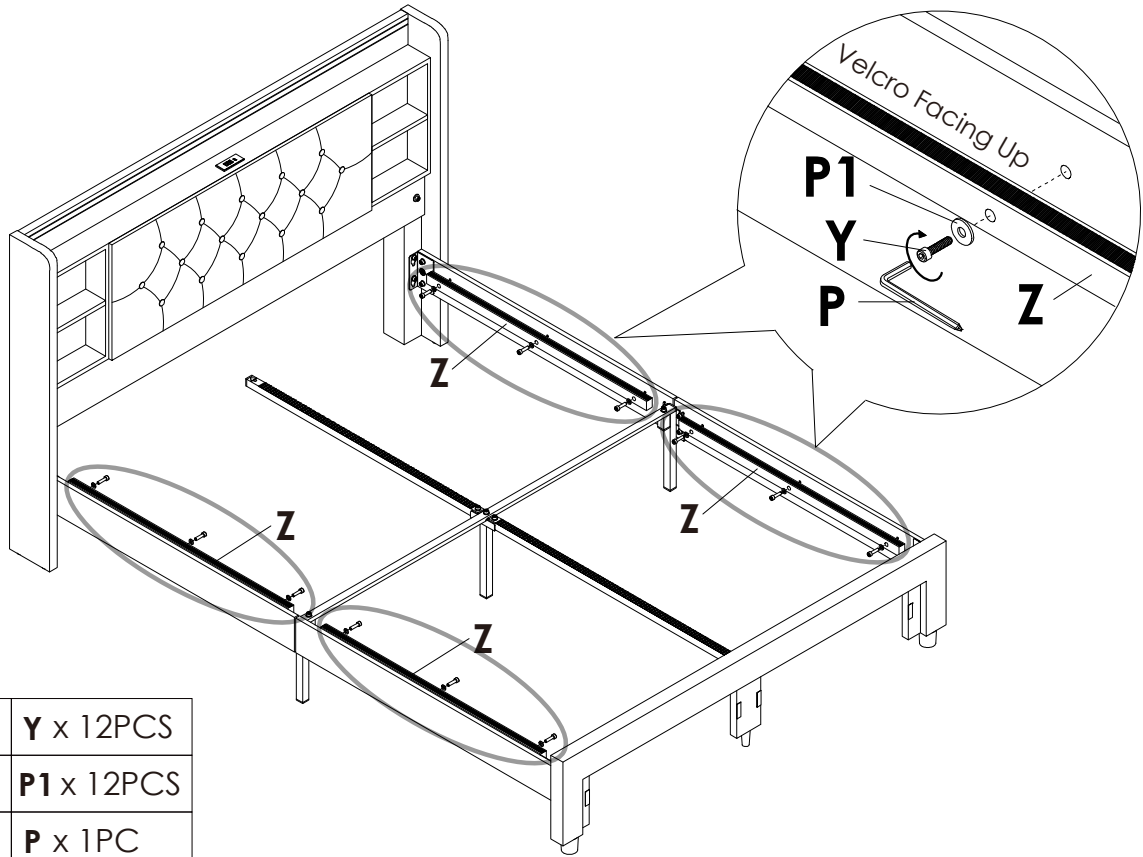
 **P1 x 3PCS**

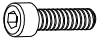


 **P x 1PC**

Assembly Instruction of (Bed)

STEP 21

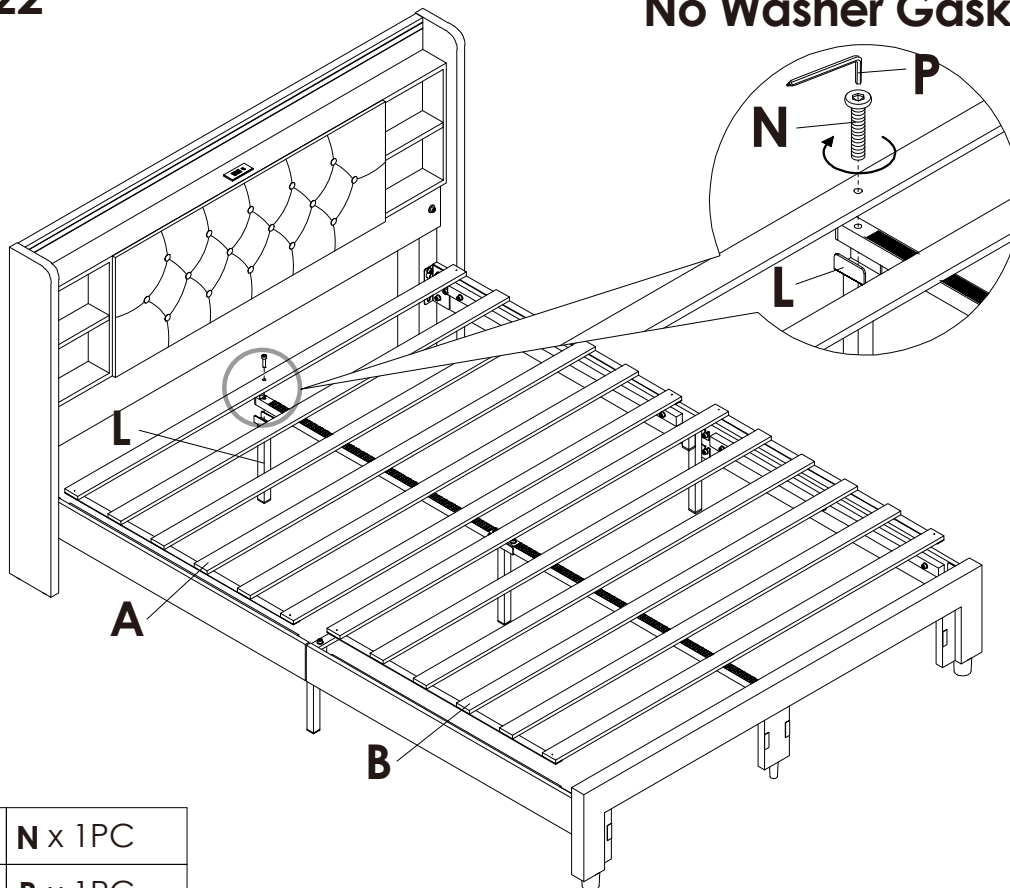
Noted the velcro on the **Z** need to forward up
 Noted the bolts is **Y** here.





	Y x 12PCS
	P1 x 12PCS
	P x 1PC

STEP 22

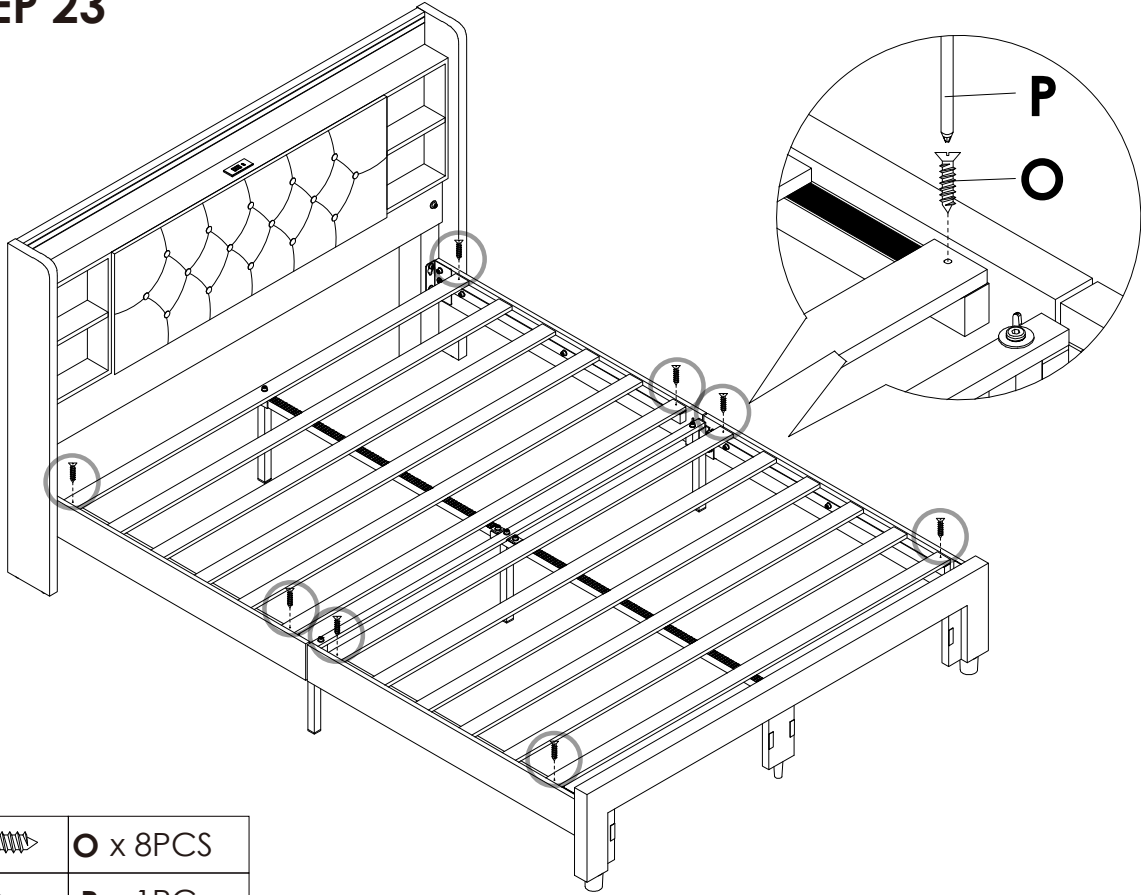
No Washer Gasket





	N x 1PC
	P x 1PC

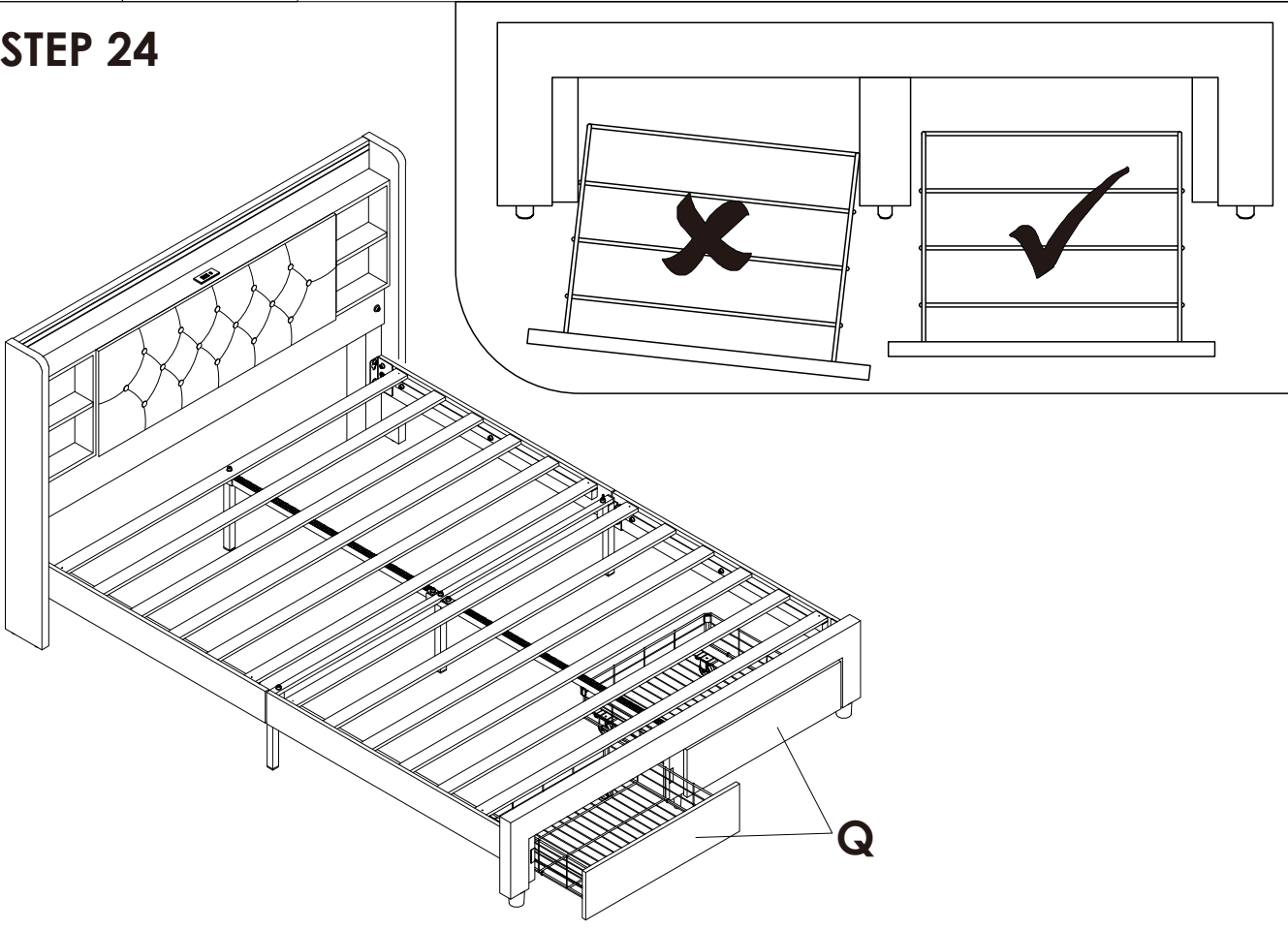
Assembly Instruction of (Bed)

STEP 23



	O x 8PCS
	P x 1PC

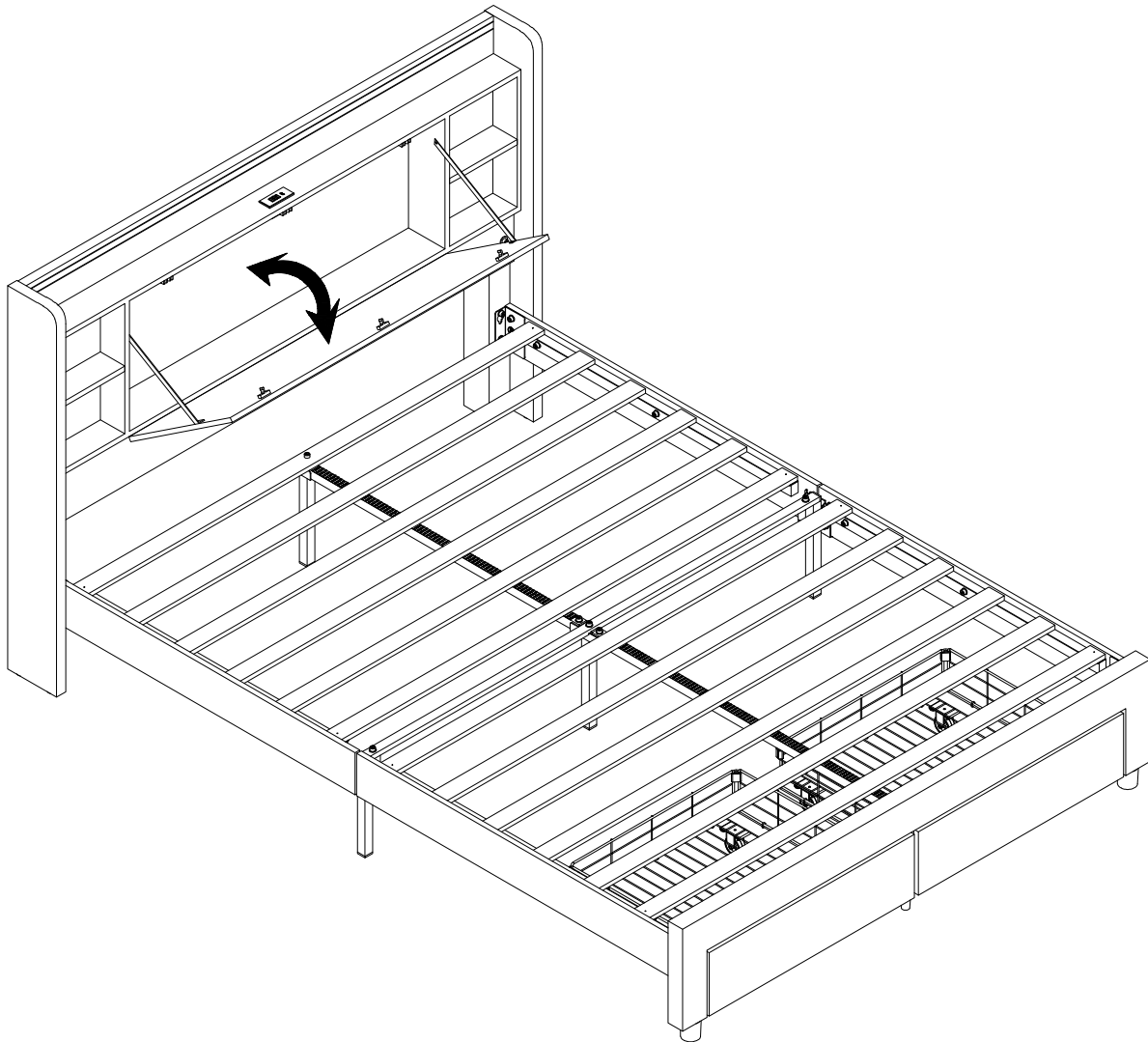
STEP 24



Assembly Instruction of (Bed)

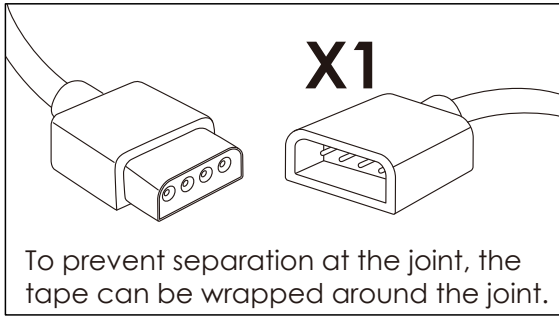
STEP 25

NOTE: the backrest of headboard can be opened for storage inside.



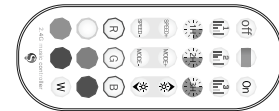
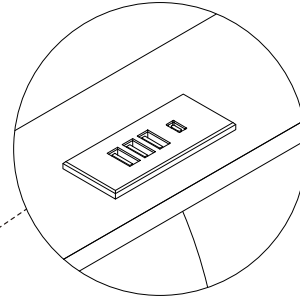
Assembly Instruction of (Bed)

STEP 26



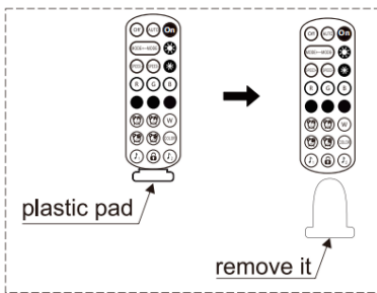
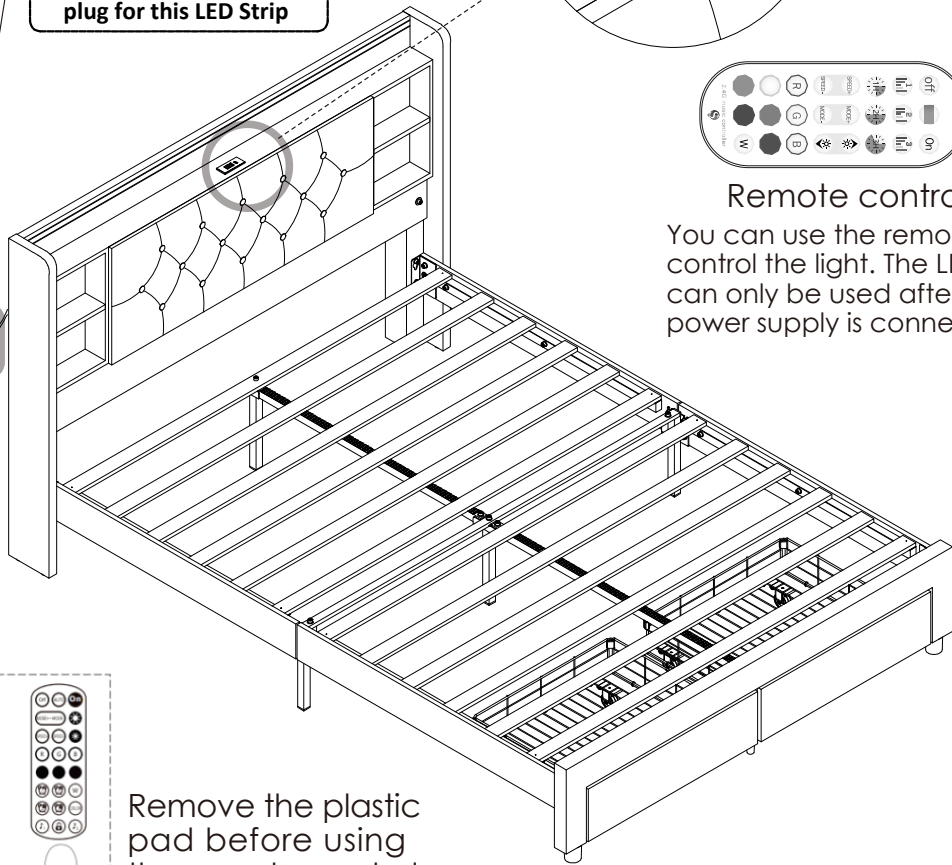
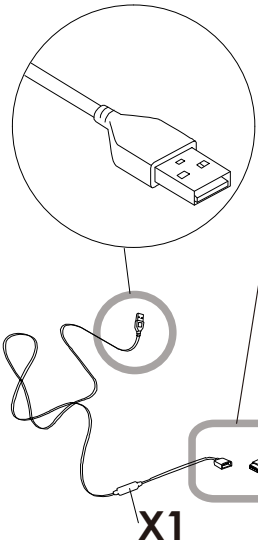
NOTE: The black part of the receiver (X1) needs to be exposed to air in order to better control the LED light.

WARNING
★ Please use a 5V2A power plug for this LED Strip



Remote control

You can use the remote to control the light. The LED lamp can only be used after the power supply is connected.



Remove the plastic pad before using the remote control

Please scan the QR code on the manual/controller and install the application.
Step1: Please make sure your phone has Bluetooth enabled.
Step2: The LED light will automatically connect to the APP.



Thanks Gracias!