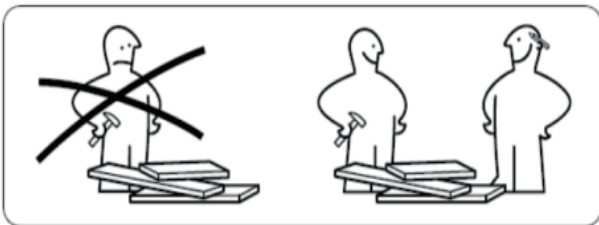




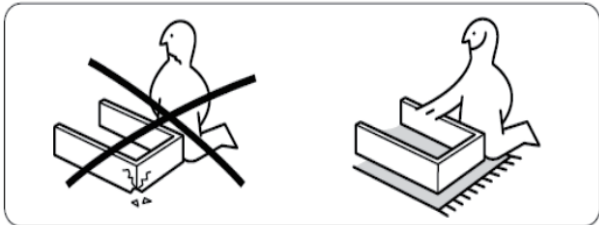
Thank you for purchasing IBF Bookshelf. If any part is missing or damaged, please do not hesitate to contact us, we will send you the replacement immediately.

## ASSEMBLY TIPS

1. Please read the Assembly Instruction first and become familiar with the parts.
2. Proper assembly of this item requires 2 people.



3. Unpack and assemble this unit in an spacious area, assemble the unit on top of the empty carton or carpet to prevent scratches.




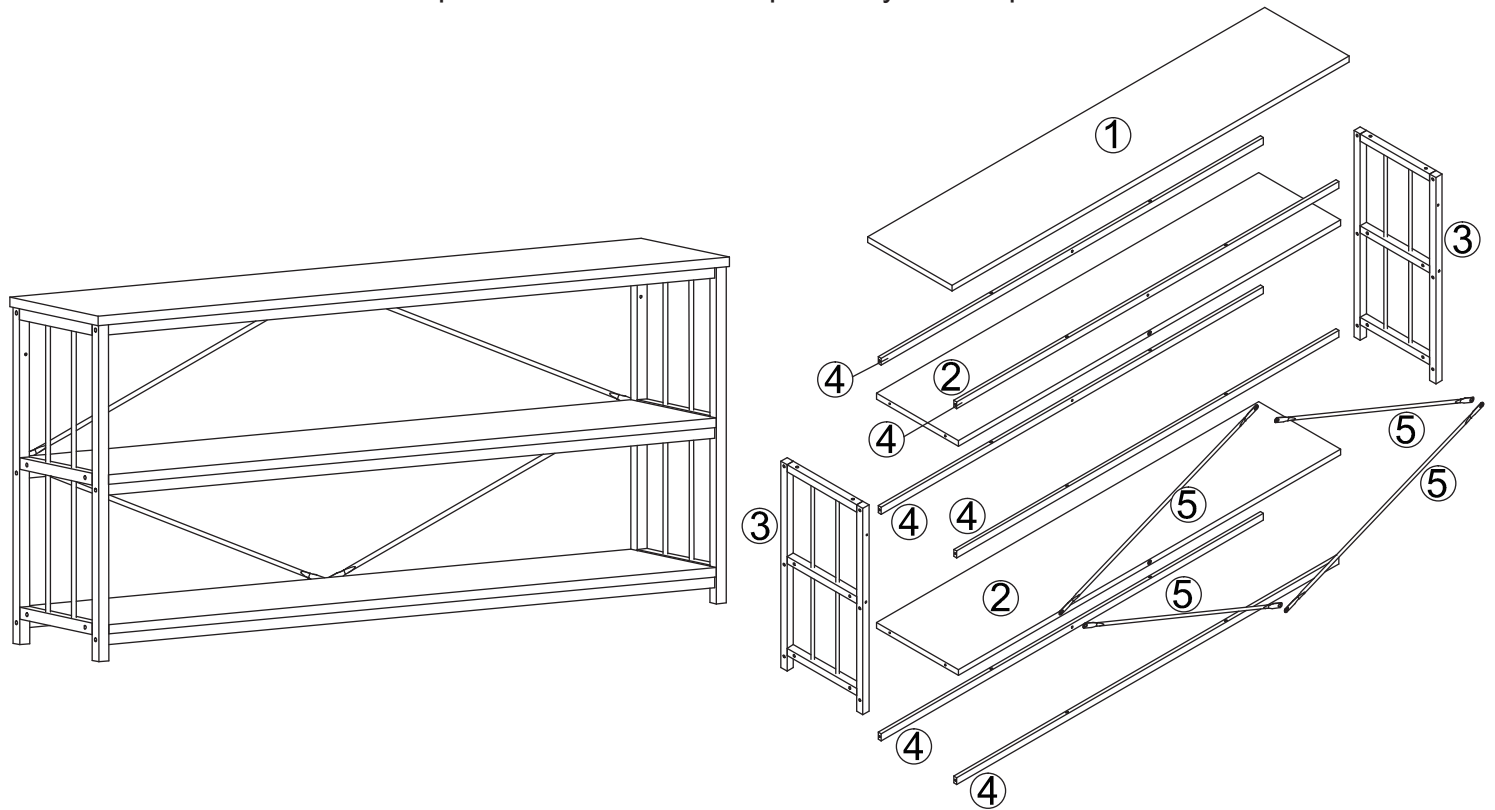
4. To avoid accidentally discarding small parts or hardware, **DO NOT** dispose of any contents until assembly is completed.
5. **Do not fully tighten all bolts until all parts are in place.** Failure to follow these instructions may cause the bolts to misalign during assembly.

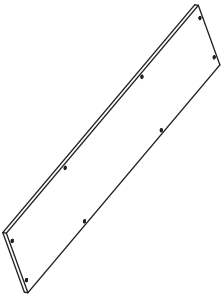
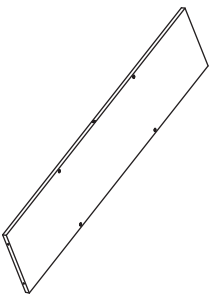
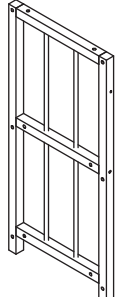









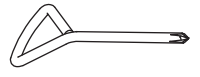
## CARE INSTRUCTIONS

- (1) Hardware may loosen overtime. Periodically check that all connections are tight.
- (2) Wipe with a soft, dry cloth. To protect finish, avoid the use of chemicals and household cleaners.
- (3) All hot serving dishes should be placed on a pad.
- (4) Any liquid spilled onto the furniture should be cleaned up immediately with a dry cloth.

# Part Identification

 While not all parts are labeled, some of the parts will have a label to help distinguish similar parts from each other. Use this part identification to help identify similar parts.

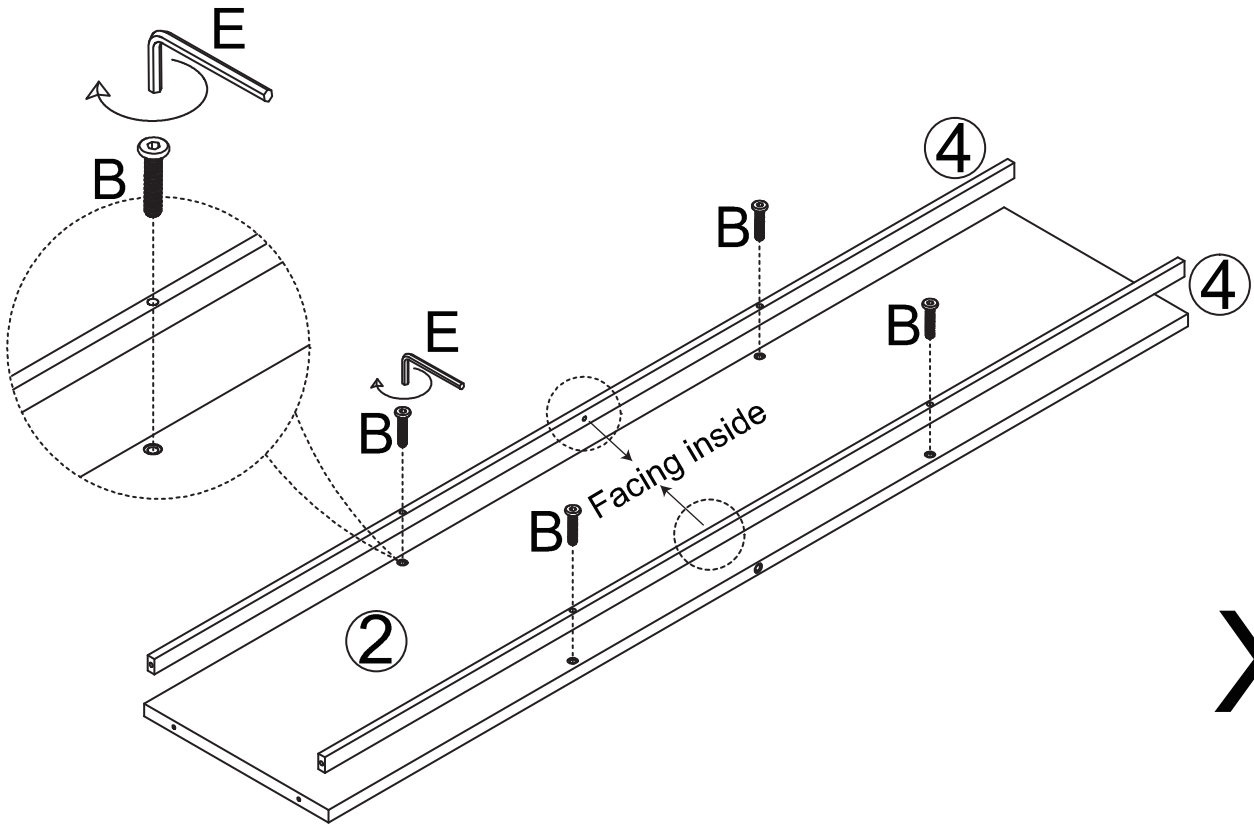


<p>①</p>  <p>Table Top 1 PC</p>	<p>②</p>  <p>Panel 2 PCS</p>	<p>③</p>  <p>Metal Frame 2 PCS</p>	<p>④</p>  <p>Metal Tube 6 PCS</p>	<p>⑤</p>  <p>Crossbar 4 PCS</p>
<p><b>A</b></p>  <p>Short Screw M6*15 mm 4 PCS</p>	<p><b>B</b></p>  <p>Medium Screw M 6*38 mm 16 PCS</p>	<p><b>C</b></p>  <p>Long Screw M6*45 mm 12 PCS</p>	<p><b>D</b></p>  <p>Long Bolt M 7*60 mm 8 PCS</p>	
<p><b>E</b></p>  <p>Phillips Allen Key 1 PC</p>	<p><b>F</b></p>  <p>Screw Ø4*60mm 2 PCS</p>	<p><b>G</b></p>  <p>Plastic Anchor Ø8*35mm 2 PCS</p>	<p><b>H</b></p>  <p>Screwdriver 1 PC</p>	

# Step 01

NOTE: DO NOT fully tighten all bolts at this step.

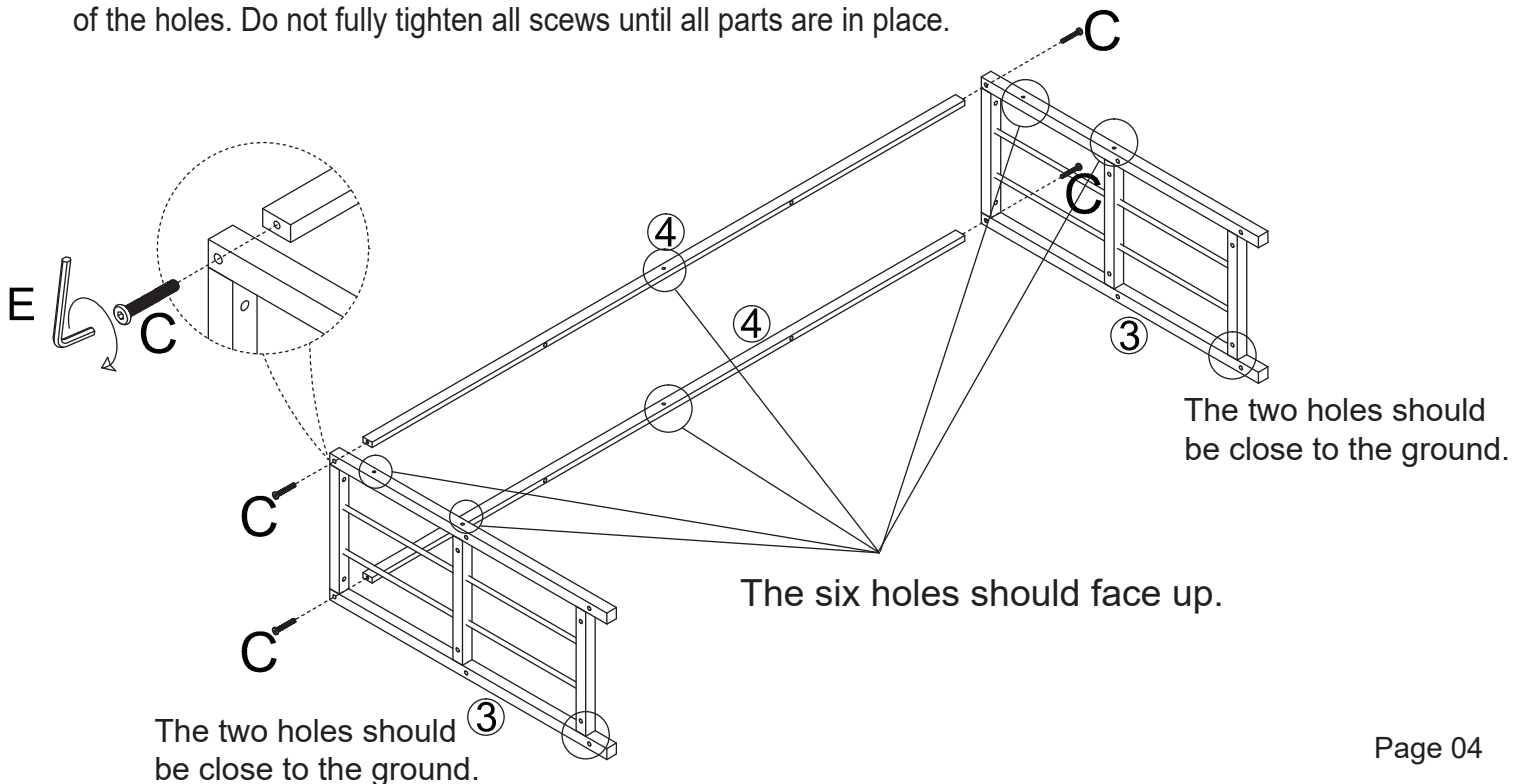
- 1.1 Fix and fasten Metal Tube(④) to Panel(②) with two Medium Screws(B) by Phillips Allen Key(E). Repeat it again for another Metal Tube (④). Make sure the middle holes of the two Metal Tube(④) are facing inside. Do not fully tighten all screws until all parts are in place. Repeat it for second Metal Tube(④) to second Panel(②).



# Step 02

NOTE: DO NOT fully tighten all bolts at this step.

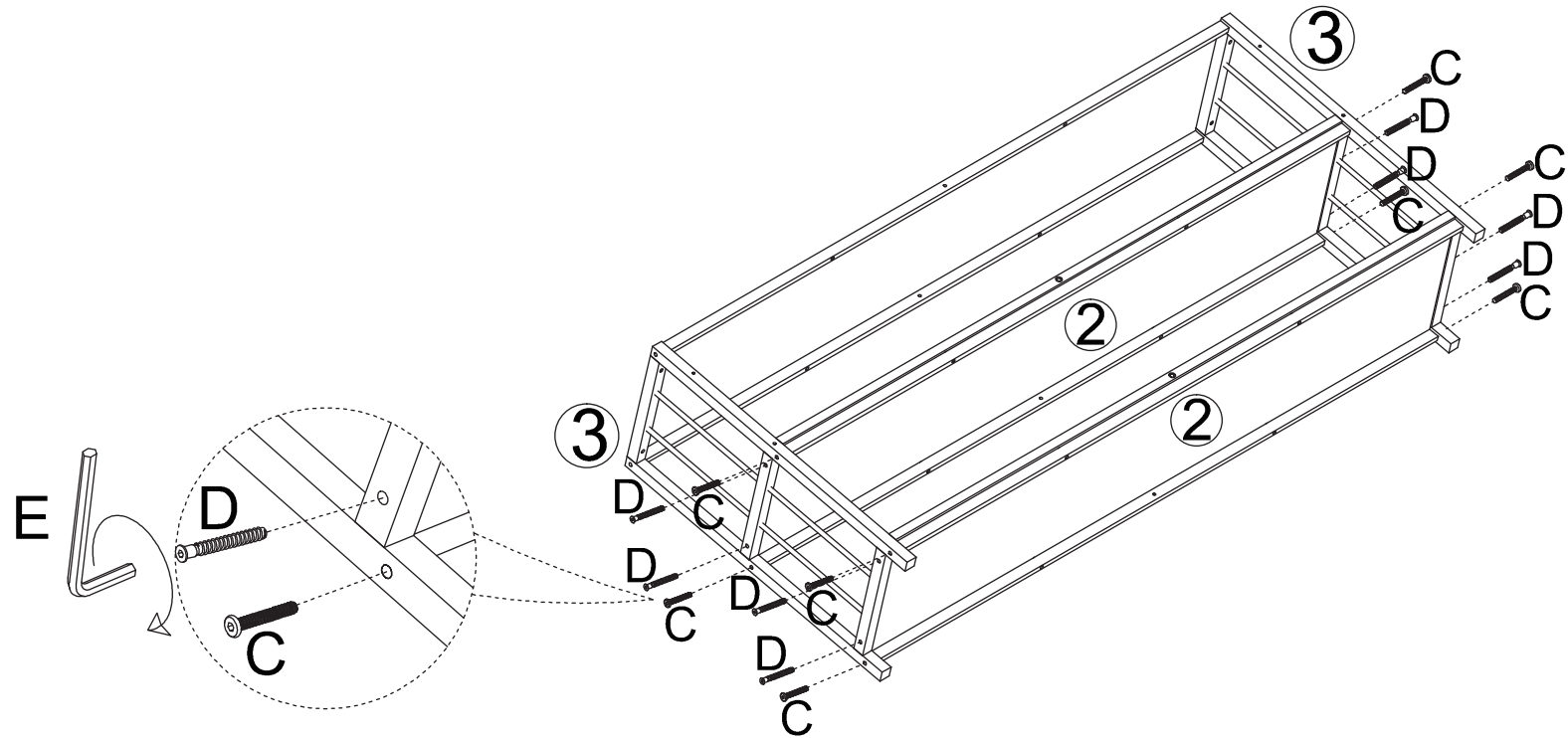
- 2.1 Lay two Metal Frames(③) parallel to each other on a clean smooth surface such as carpet or cardboard. Connect and fasten Metal Tube(④) to two Metal Frames(③) with two Long Screws (C) by Phillips Allen Key (E) with other people's help. Repeat it for second Metal Tube(④). Please pay attention to the position of the holes. Do not fully tighten all screws until all parts are in place.



# Step 03

NOTE: DO NOT fully tighten all bolts at this step.

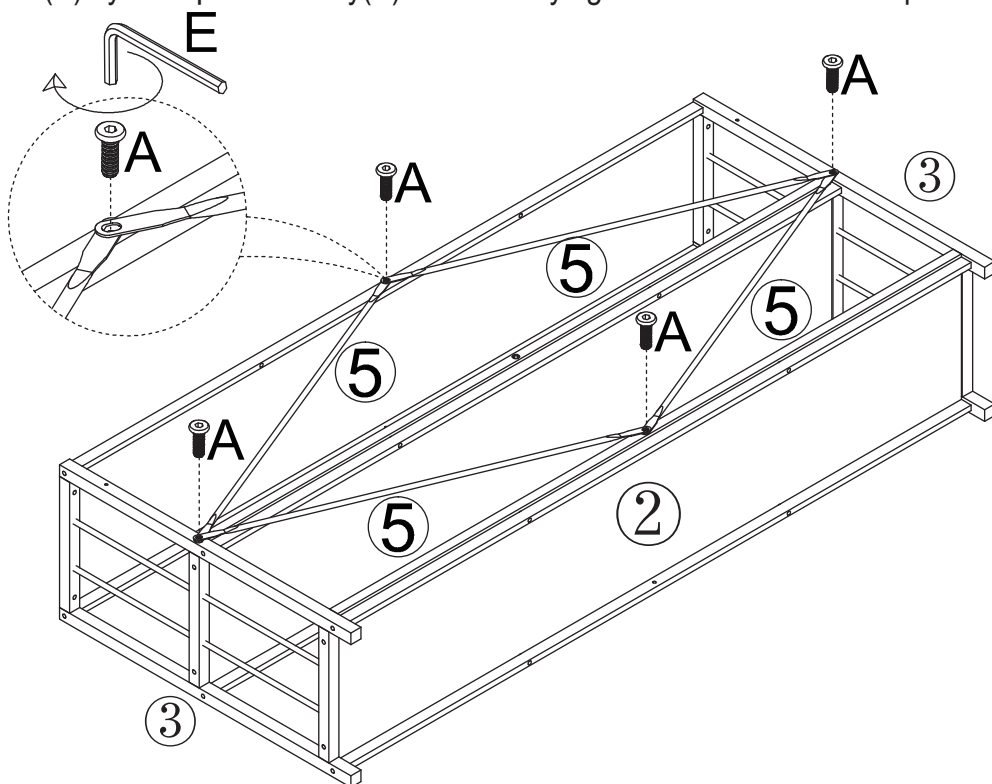
- 3.1 Align and fasten Panel(2) to two Metal Frames(3) with four Long Bolts(D) by Phillips Allen Key(E). Fasten Metal Tube(4) on the Panel(2) to two Metal Frames(3) with four Long Screws(C) by Phillips Allen Key(E). Repeat it for second Panel(2) and Metal Tube(4) to two Metal Frames(3). Do not fully tighten all bolts until all parts are in place.



# Step 04

NOTE: DO NOT fully tighten all screws at this step.

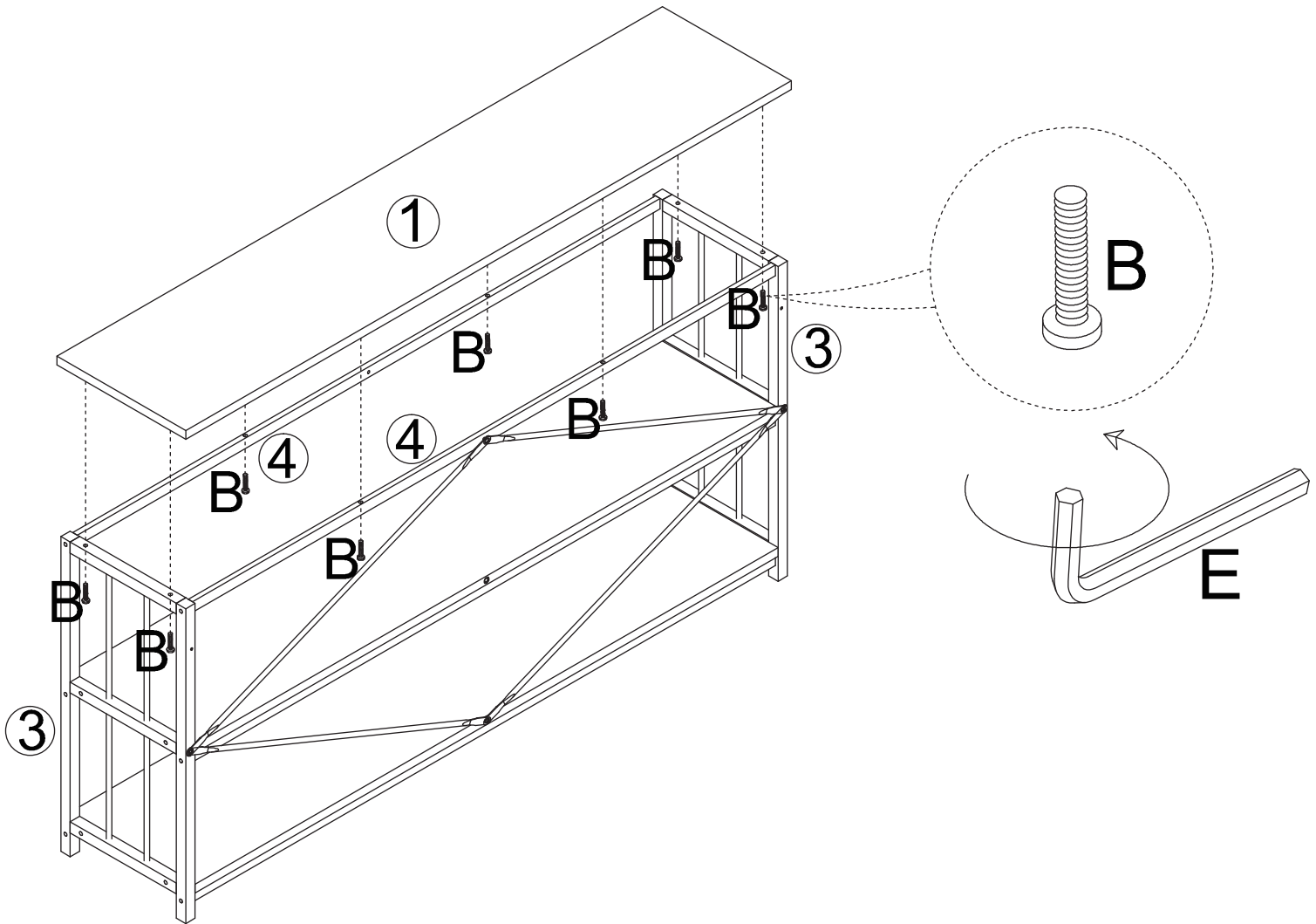
- 4.1 Fasten four Crossbars (5) to upper Metal Tube(4), two Metal Frames(3) and bottom Panel(2) with four Short Screws(A) by Phillips Allen Key(E). Do not fully tighten all screws until all parts are in place.




# Step 05

NOTE: If holes don't align, loosen all bolts and adjust the holes slightly. After all holes are aligned, tighten all bolts.

- 5.1 Fix and fasten Table Top(①) to two Metal Frames(③) and two Metal Tubes(④) with eight Medium Screws(B) by Phillips Allen Key(E).



# Step 06

-  6.1 To prevent injury and property damage from unexpected tipping of furniture, we highly recommend installation of the anti-tip kit included with this product. Drill holes at marked spot with a drill bit. Carefully hammer in two Plastic Anchors(G). Attached the Sofa Table into the hole using two Screws(F) with Screwdriver(H).

