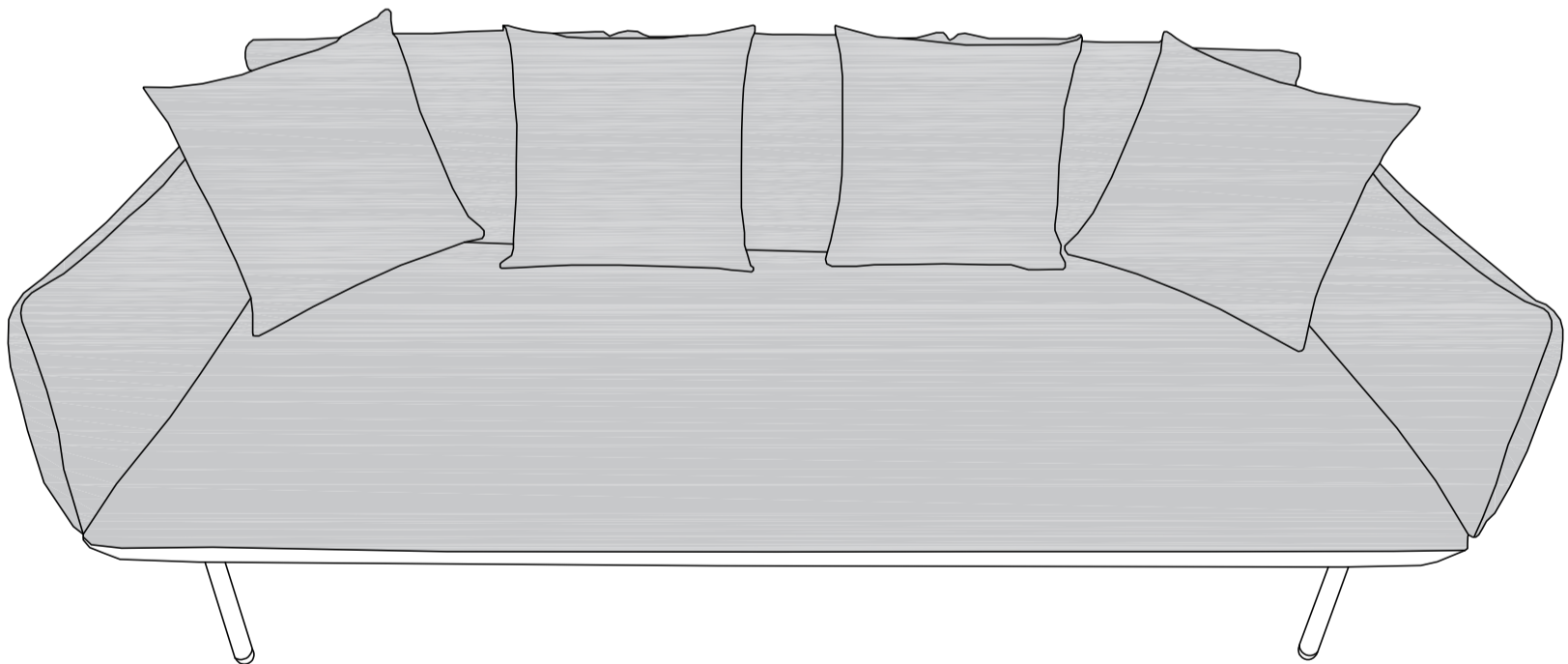


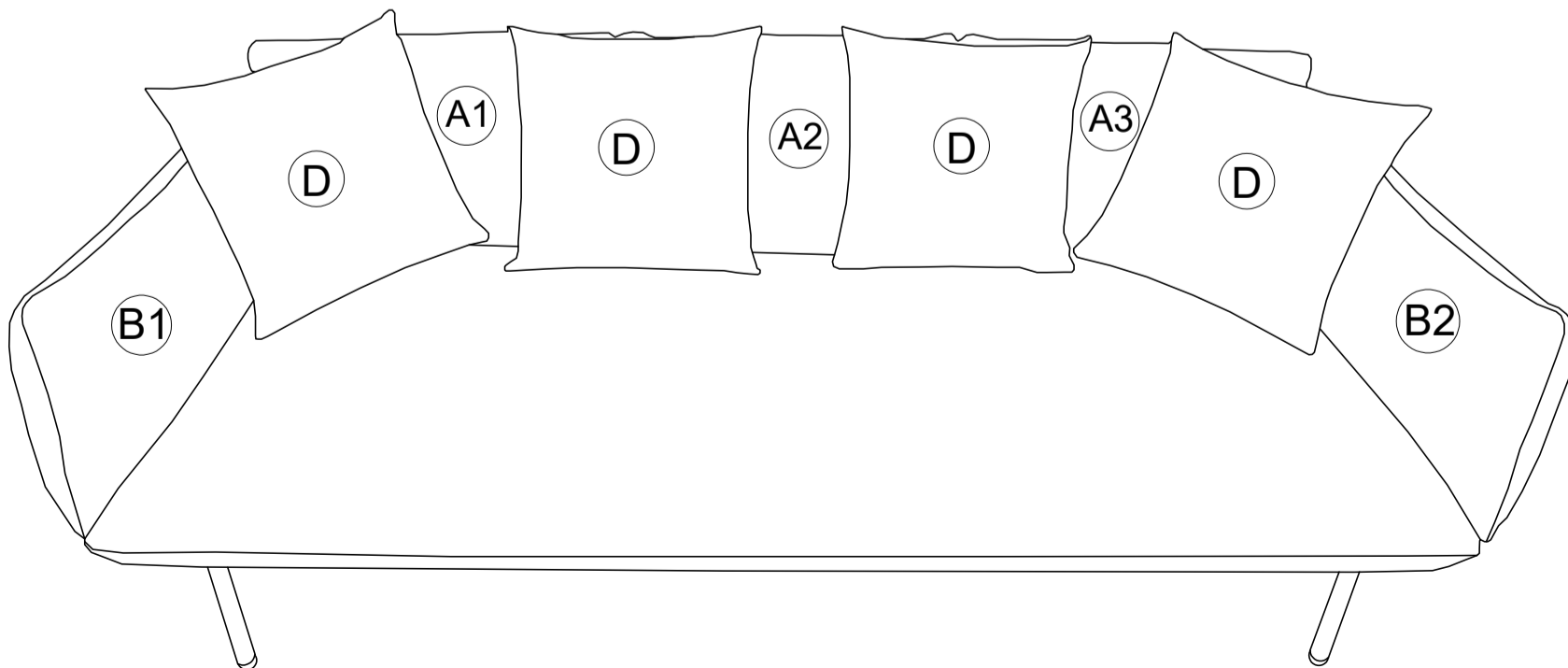
Outdoor Sofa

ASSEMBLY INSTRUCTIONS

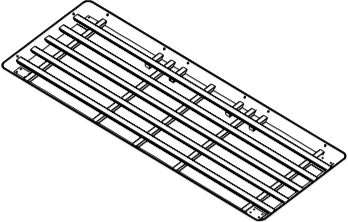
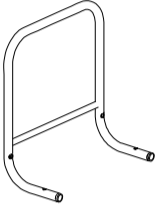
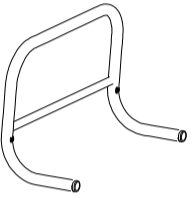
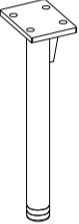
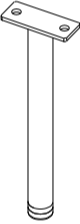
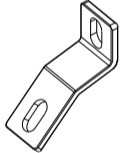


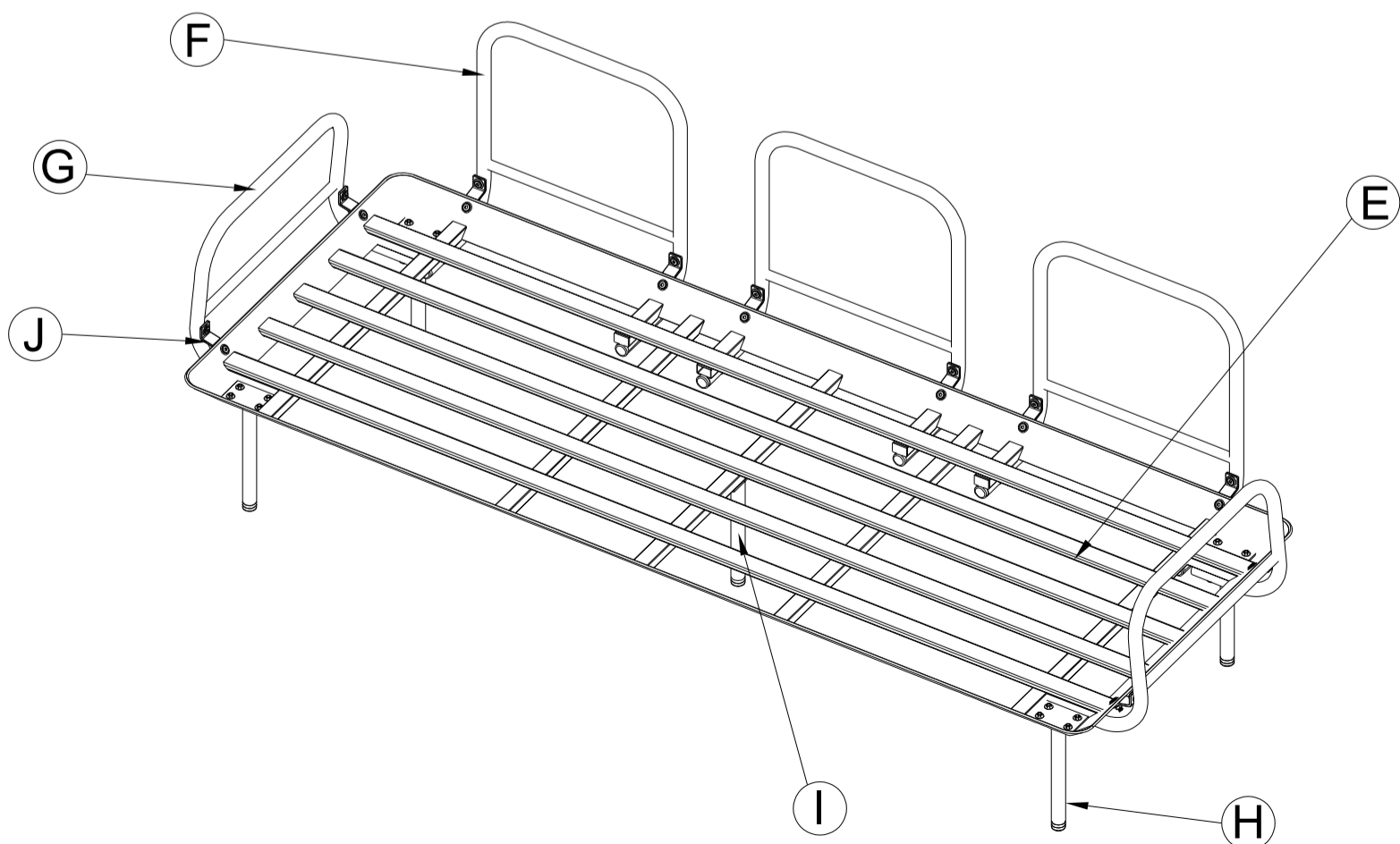
PARTS LIST

LABEL	PICTURE	DESCRIPTION	QTY
A1		LEFT BACK CUSHION	1
A2		MIDDLE BACK CUSHION	1
A3		RIGHT BACK CUSHION	1
B1		LEFT ARMREST CUSHION	1
B2		RIGHT ARMREST CUSHION	1
C		SEAT CUSHION	1
D		PILLOWS	4


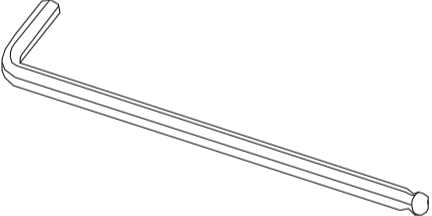



PARTS LIST

LABEL	PICTURE	DESCRIPTION	QTY
E		SEAT FRAME	1
F		BACK FRAMES	3
G		ARMREST FRAMES	2
H		LEGS	4
I		MIDDLE LEG	1
J		BRACKETS	10

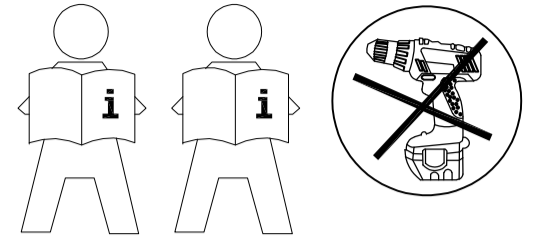


HARDWARE

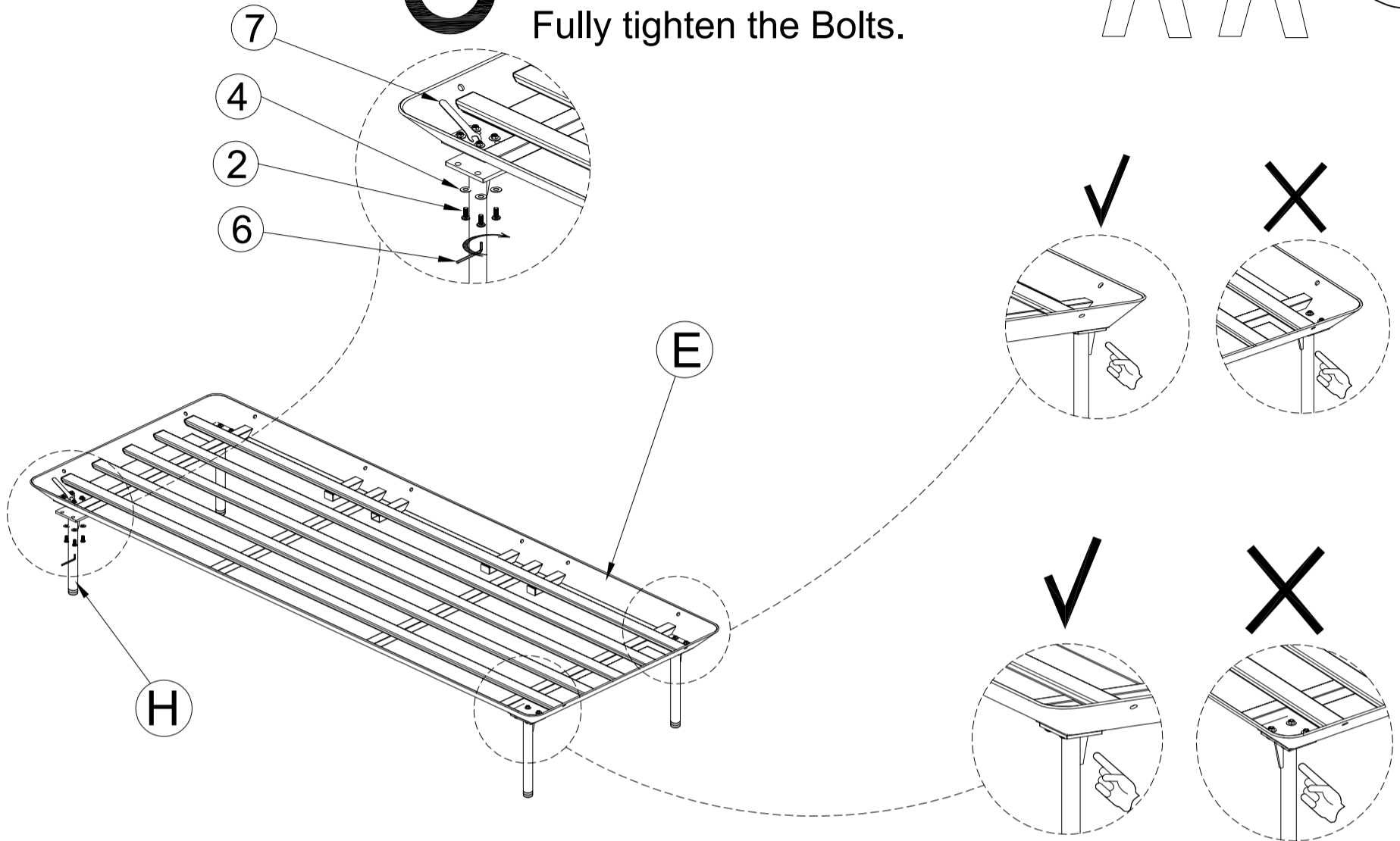
LABEL	PICTURE	DESCRIPTION	QTY
1		F-BOLT 6.00x15.00	22
2		F-BOLT 6.00x20.00	16
3		F-BOLT 6.00x40.00	10
4		PLAIN WASHER Ø14x1	32
5		LOCK NUT 6.00x6.00	26
6		ALLEN KEY	2
7		SPANDER 10.00x76.00	2
8		PLAIN WASHER Ø18x1	42

ASSEMBLY STEPS

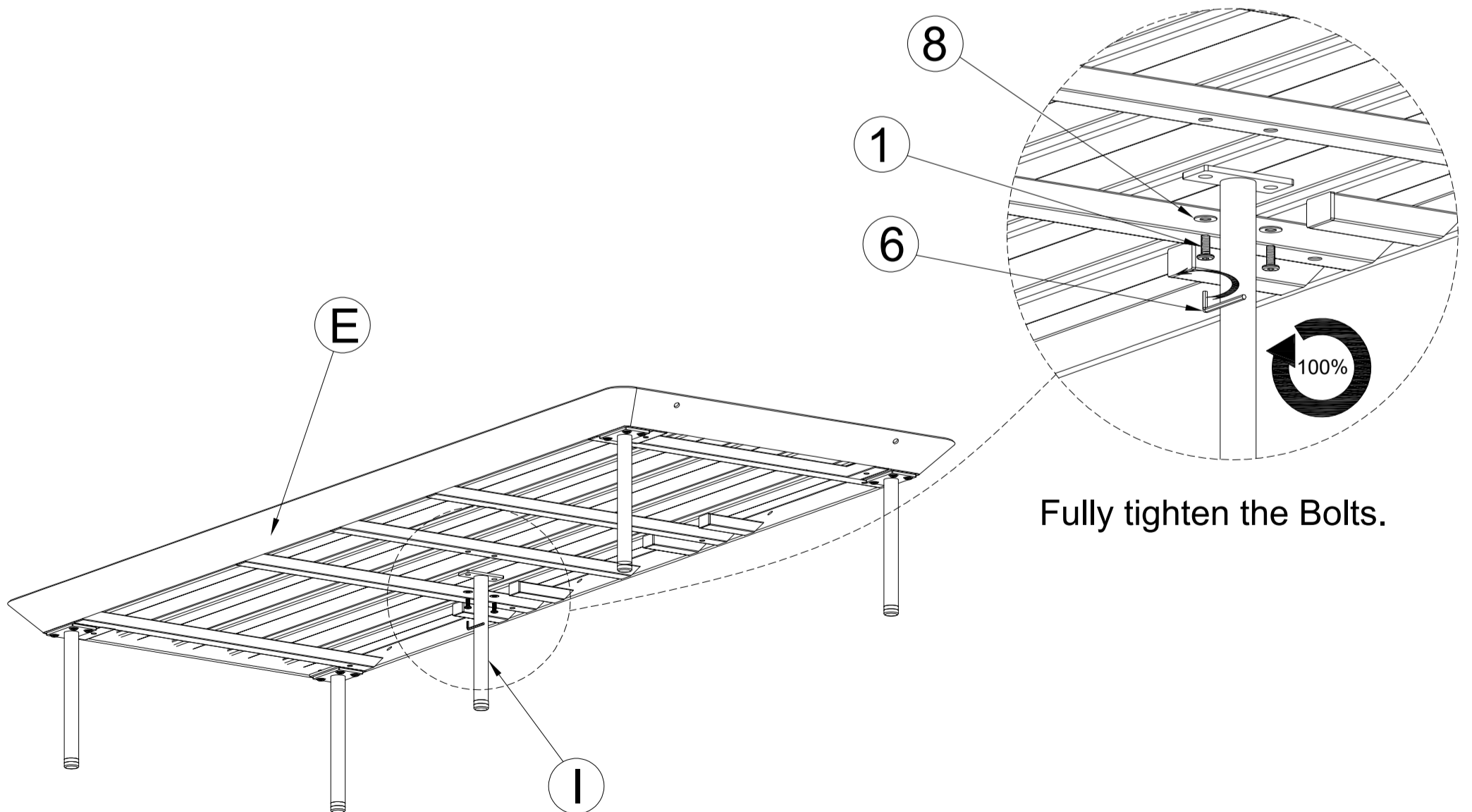
STEP 1



Fully tighten the Bolts.



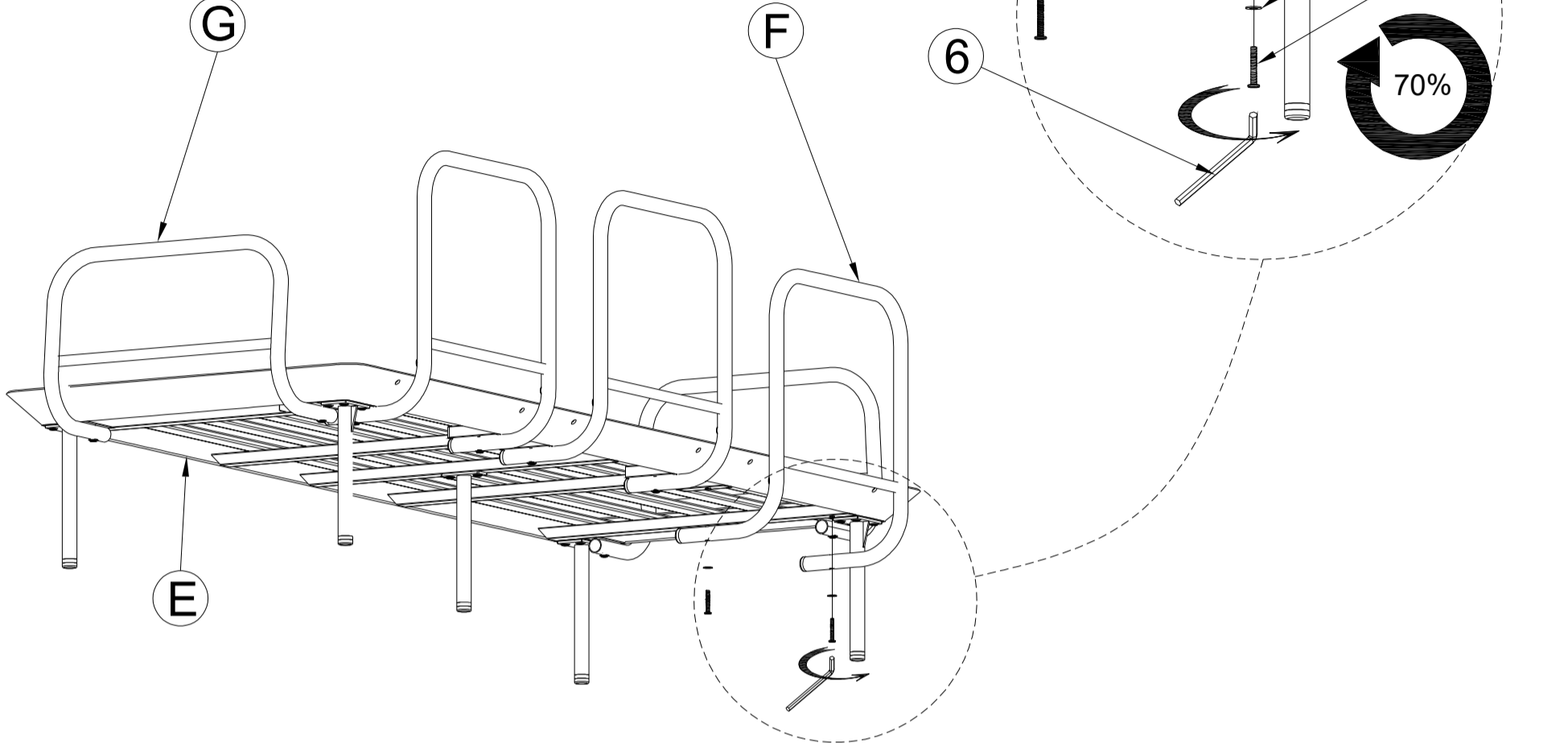
STEP 2



Fully tighten the Bolts.

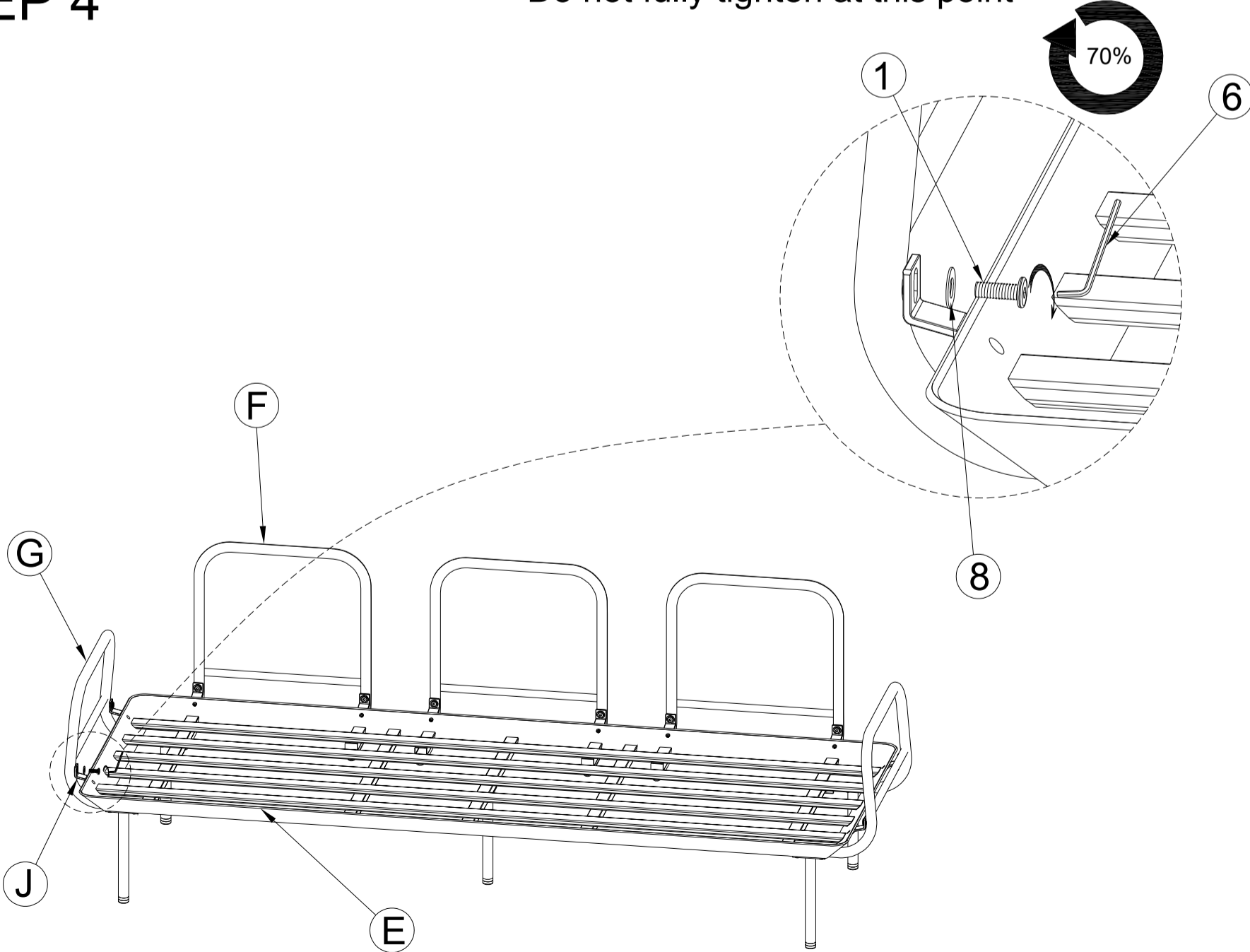
STEP 3

Do not fully tighten at this point



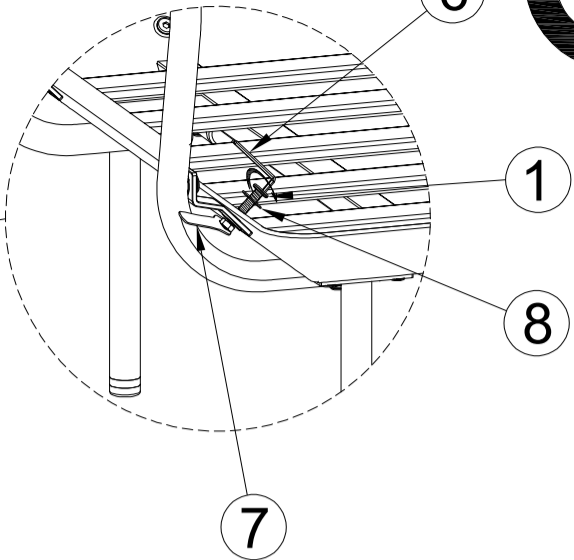
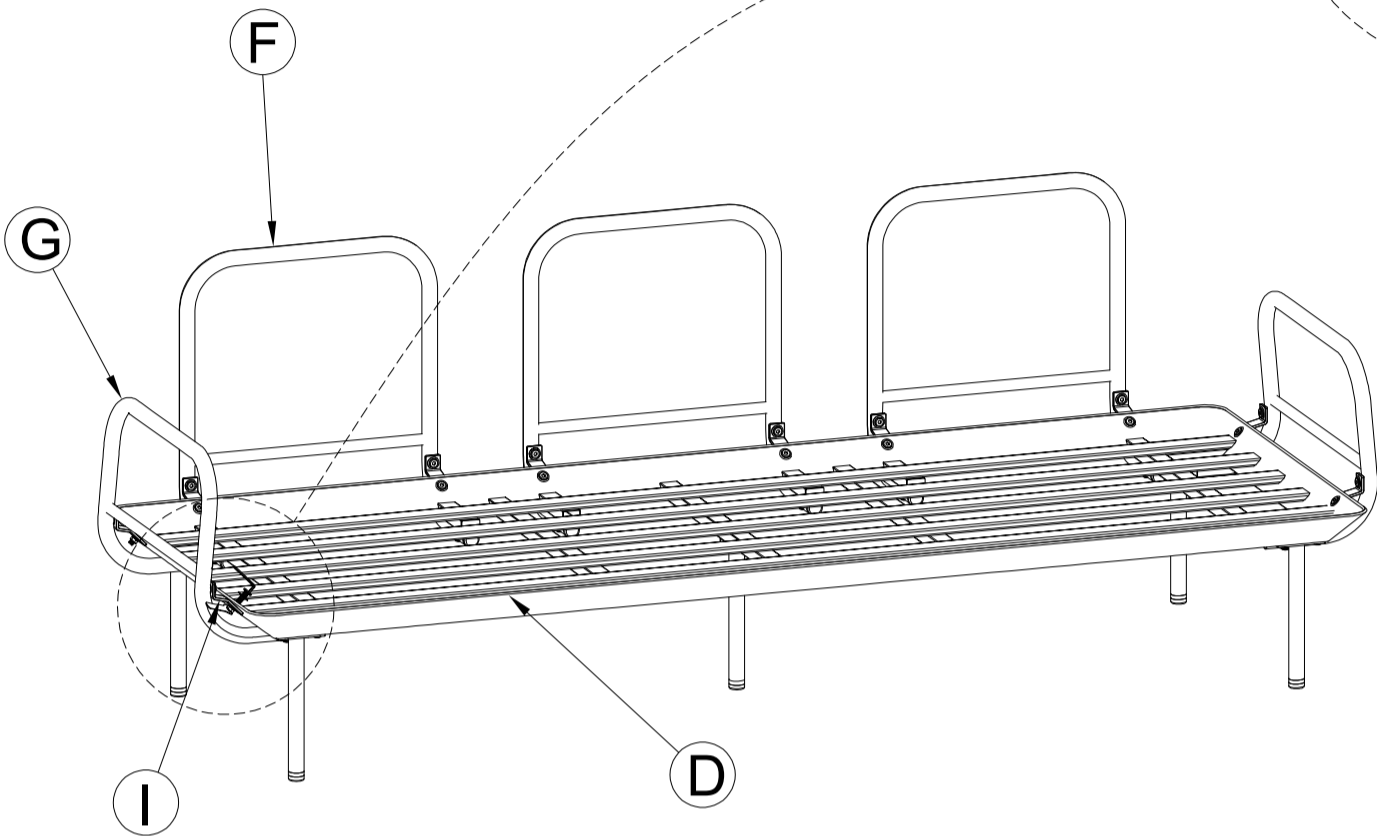
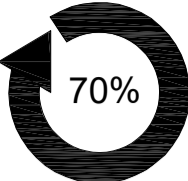
STEP 4

Do not fully tighten at this point



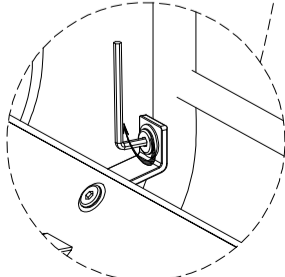
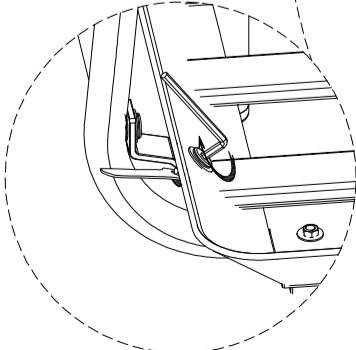
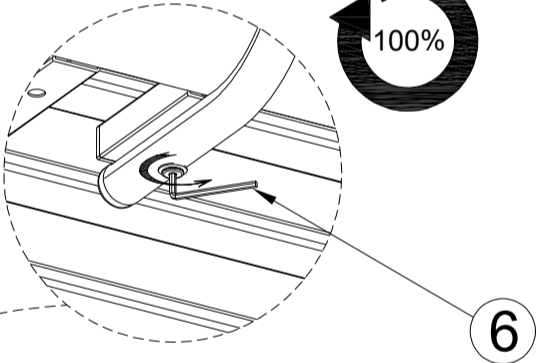
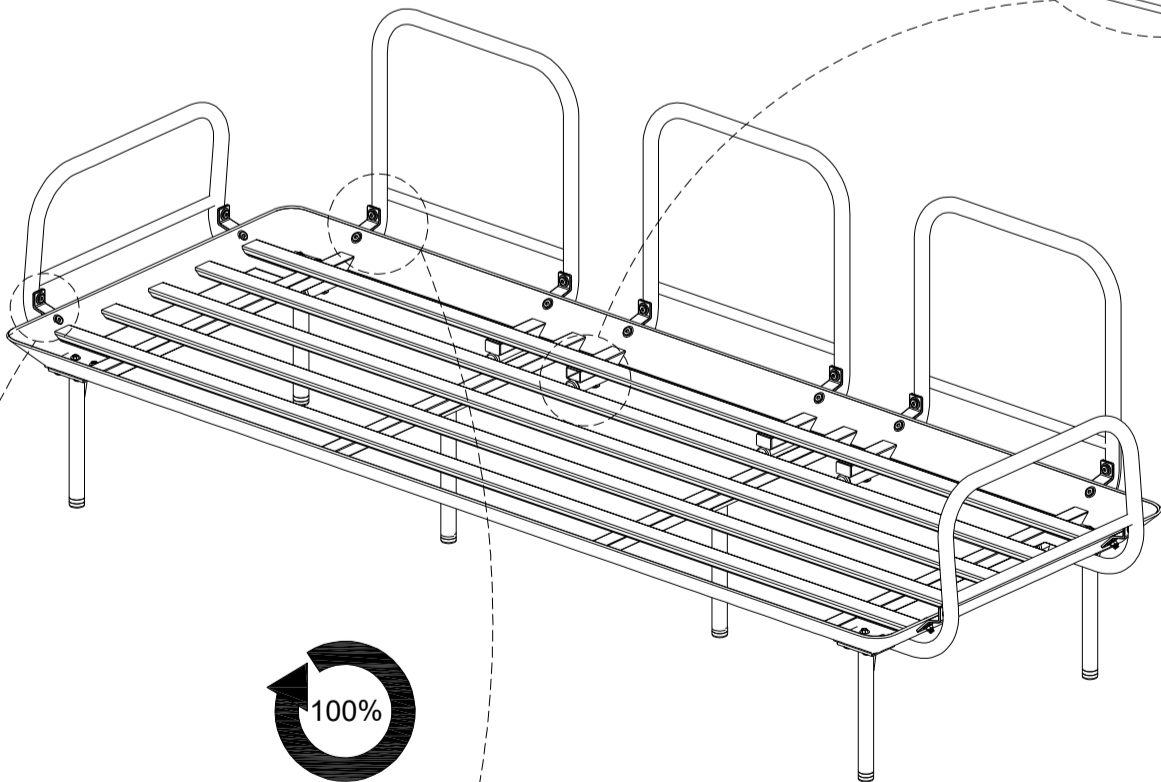
STEP 5

Do not fully tighten at this point

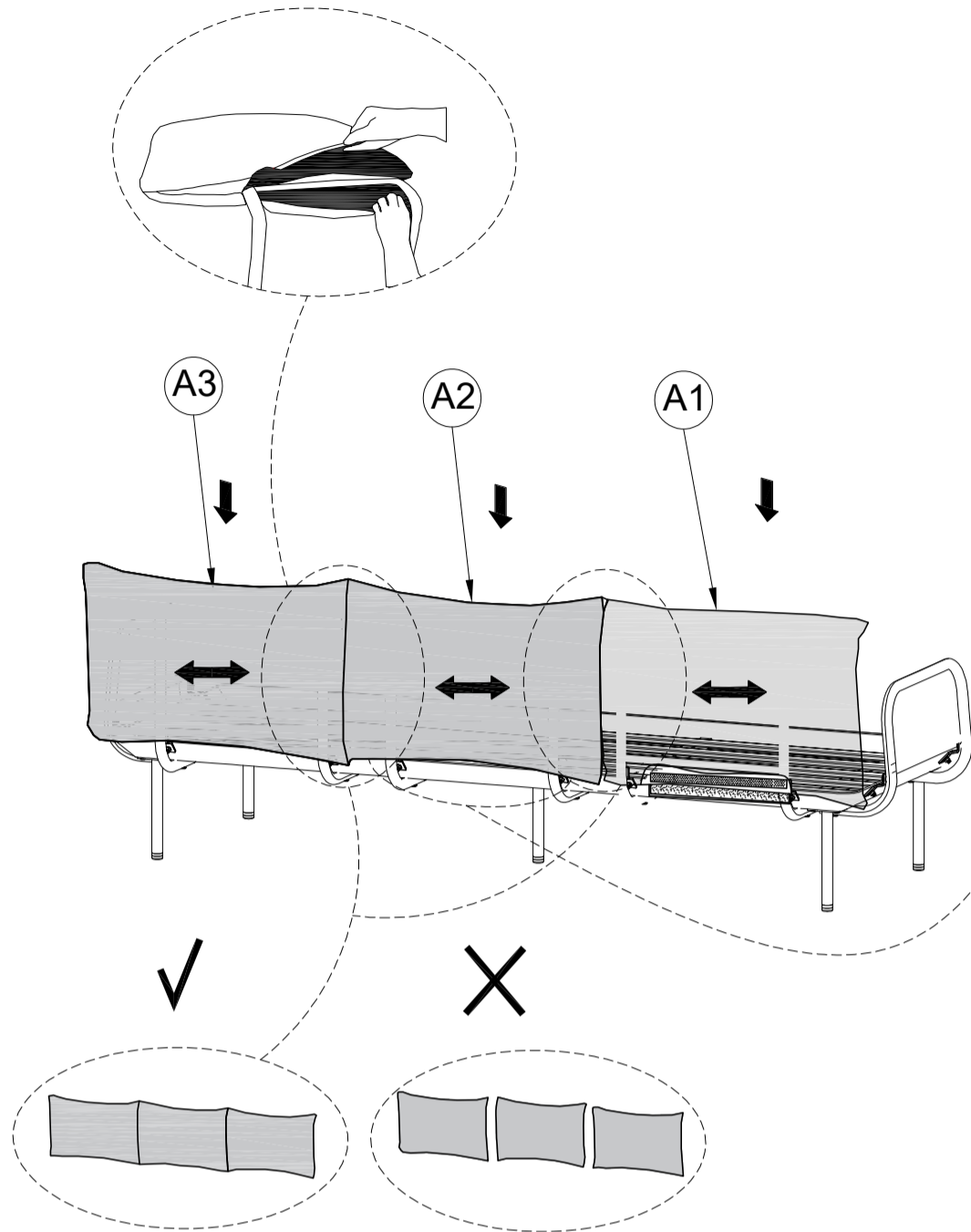


STEP 6

Fully tighten all Bolts.

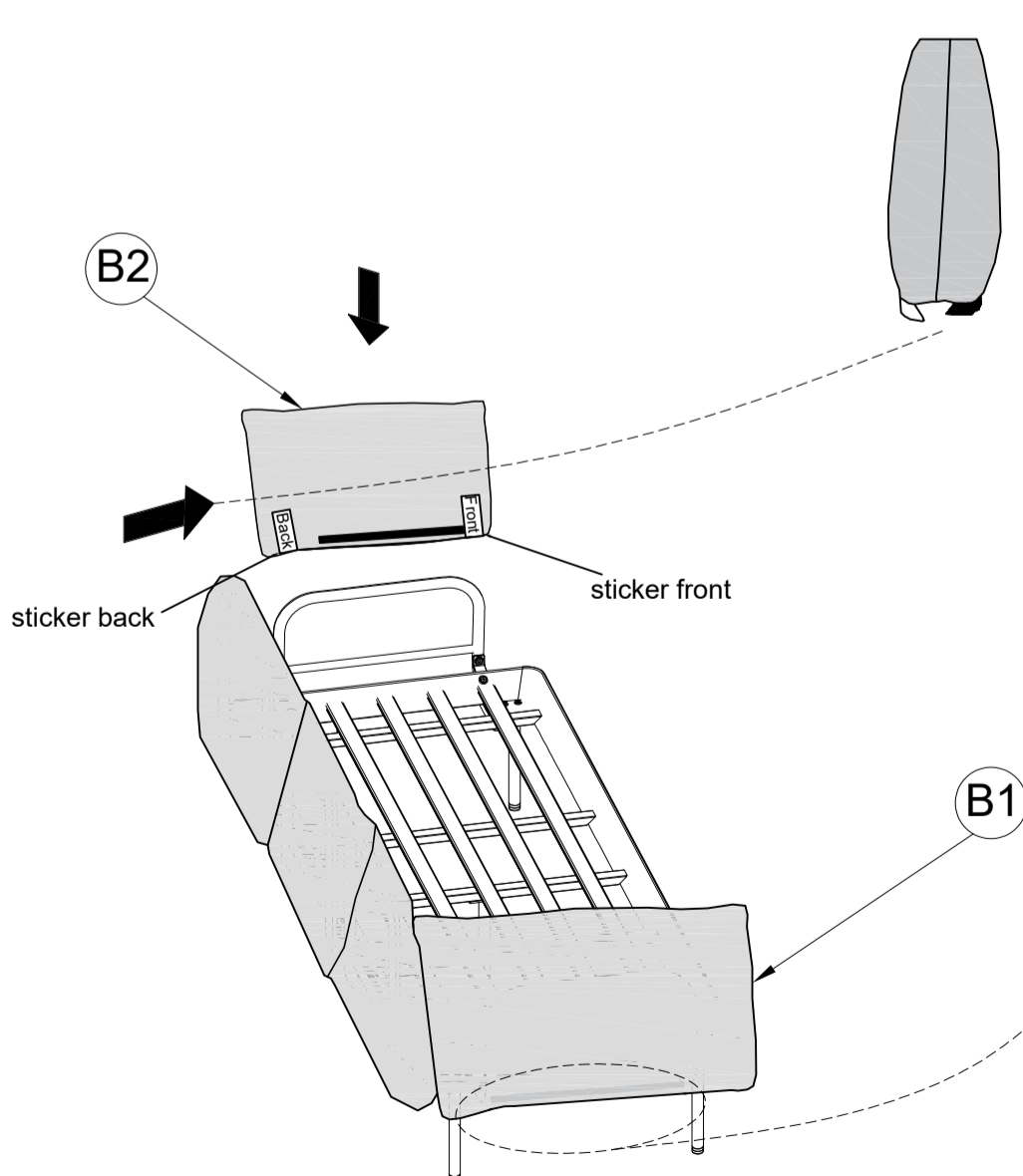


STEP 7



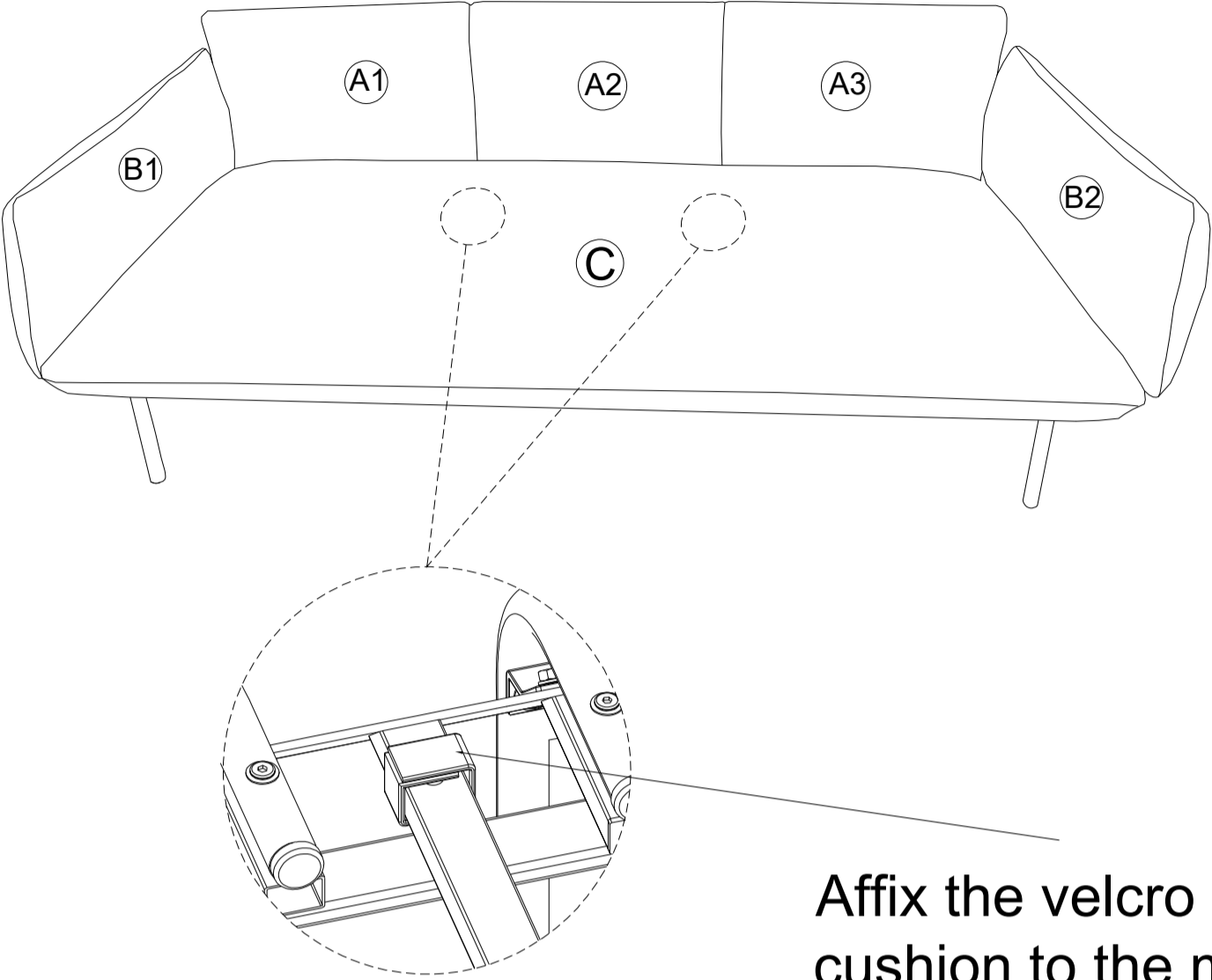
Affix the back cushions to the frame with the built-in velcro strips

STEP 8



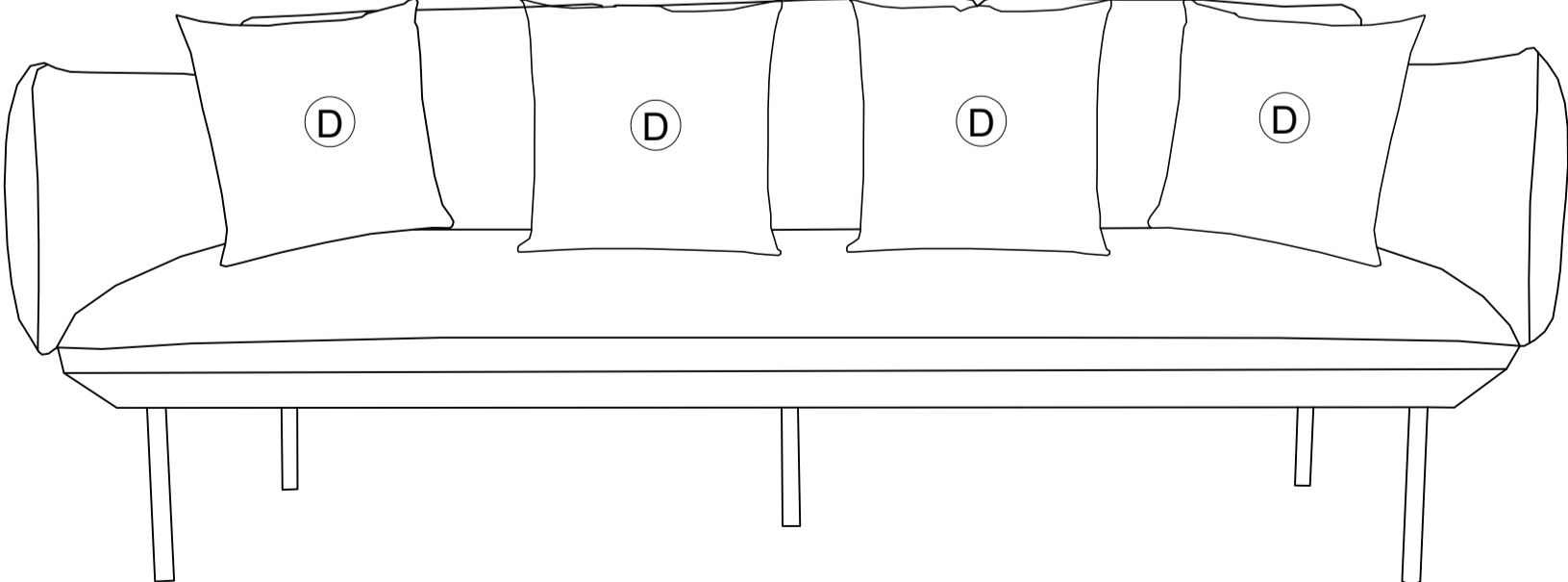
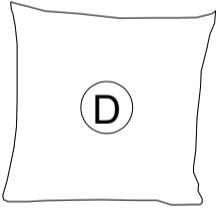
Affix the armrest cushions to the frame with the built-in velcro strips

STEP 9

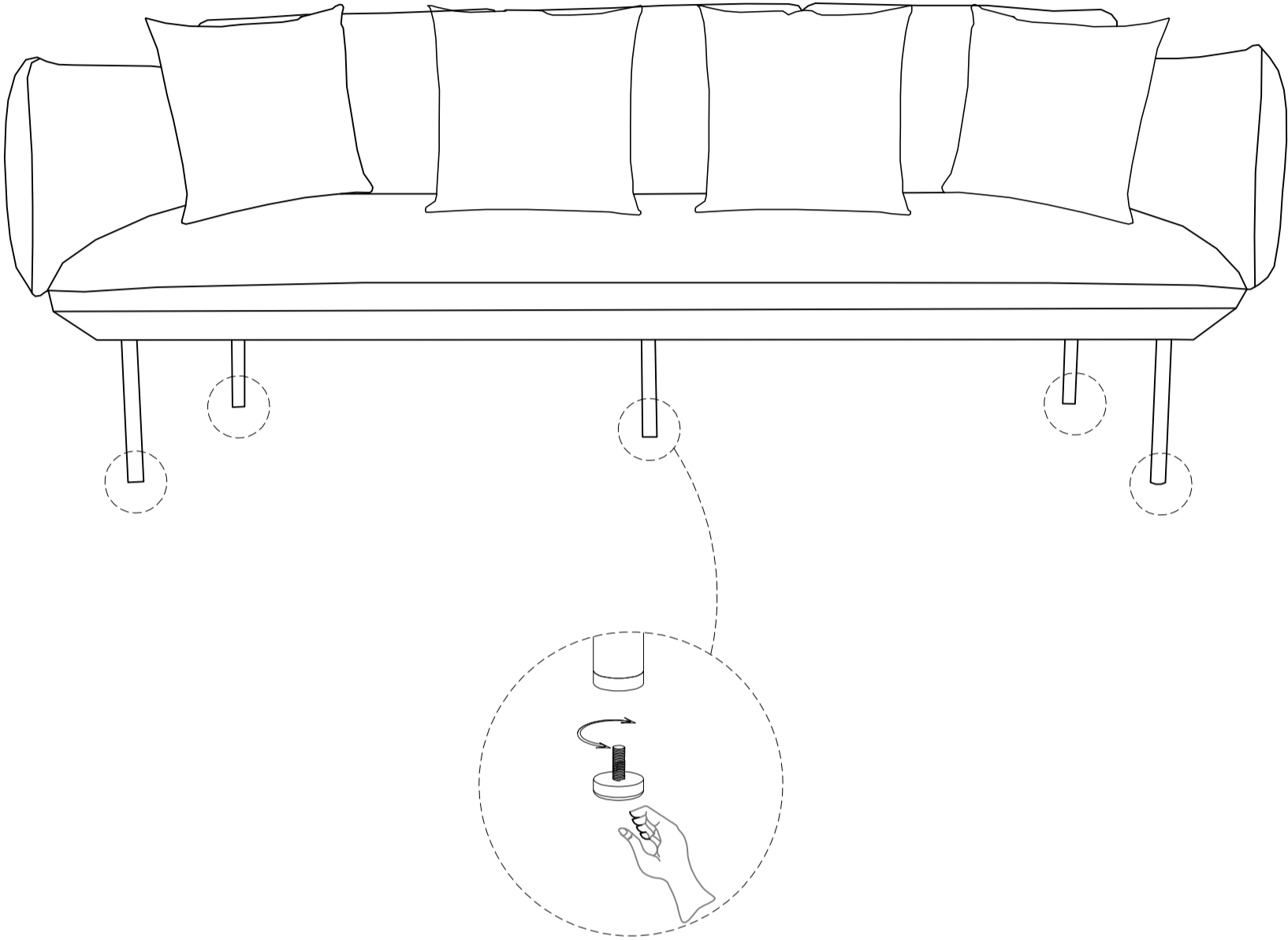


Affix the velcro straps of the seat cushion to the metal frame

STEP 10



STEP 11



Levelers can be adjusted as necessary to ensure stability