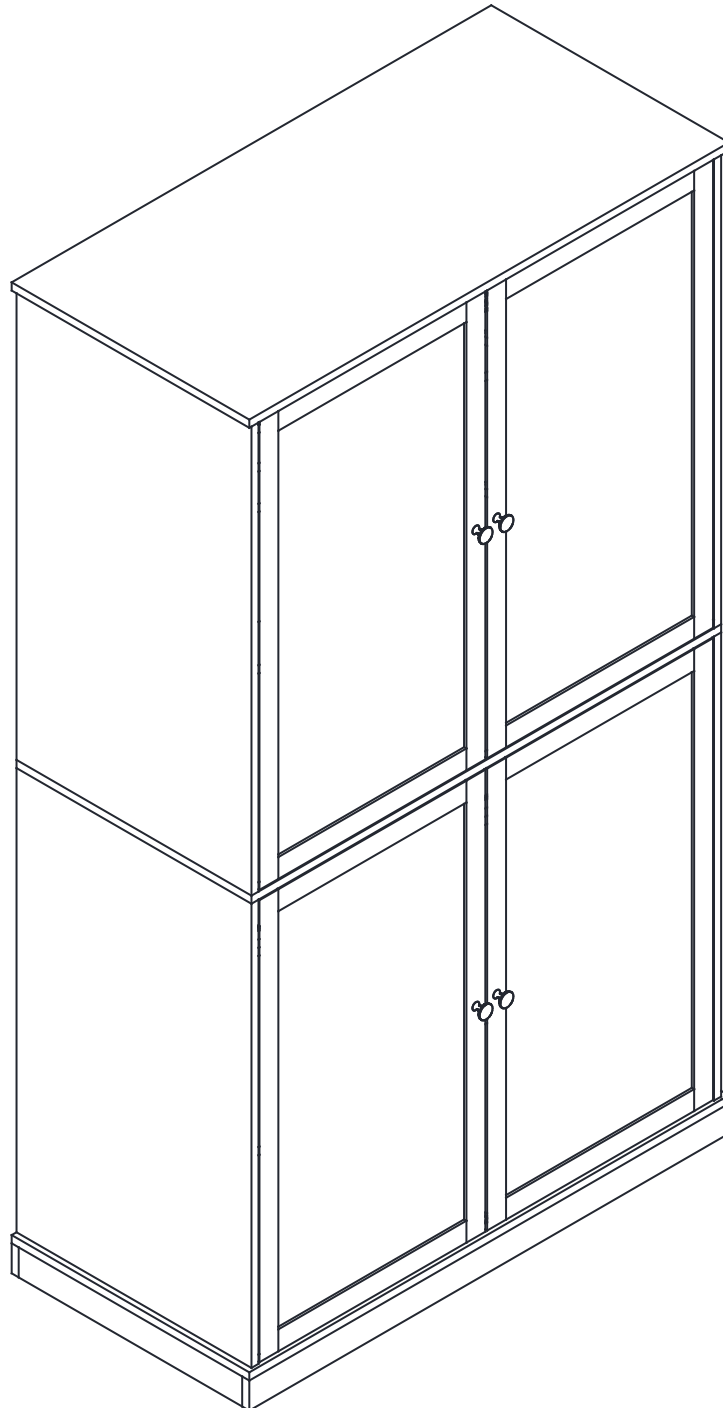


# Kitchen pantry

Assembly Instructions - Please keep for future reference



Important – Please read these instructions fully before starting assembly



# Safety and Care Advice

**Important – Please read these instructions fully before starting assembly**

- Check you have all the components and tools listed on the following pages.
- Remove all fittings from the plastic bags and separate them into their groups.
- Keep children and animals away from the work area, small parts could choke if swallowed.
- Make sure you have enough space to layout the parts before starting.

- During assembly do not stand or put weight on the product, this could cause damage.
- Assemble the item as close to its final position (in the same room) as possible.
- Assemble on a soft level surface to avoid damaging the unit or your floor.
- Parts of the assembly will be easier with 2 people.



power drill is set on a low torque setting.

- To reduce the likelihood of damaging your product please ensure that your

## Care and maintenance

- Only clean using a damp cloth and mild detergent, do not use bleach or abrasive cleaners.
- From time to time check that there are no loose screws on this unit.
- This product should not be discarded with household waste. Take to your local authority waste disposal centre.

## Handy Hints

- Assemble all parts and bolts loosely during assembly, only once the product is complete should you fully tighten the bolts
- Regularly check and ensure That all bolts and fittings are tightend properly.

**WARNING**  
**In order to help prevent overturning – please follow these instructions**

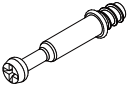


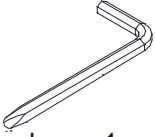

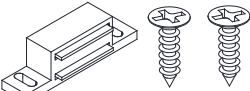







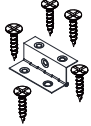


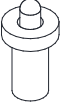

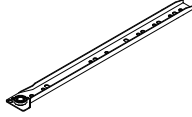
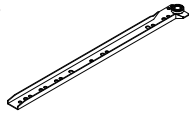
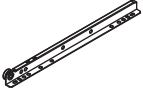

To help prevent product toppling over please follow the below steps:-

- Use the anti tip stap or wall fixing method provided (if applicable)
- Do not allow children to climb or hang on the furniture
- Do not open more than one drawer at a time
- Do not place heavy items in the top drawers
- Do not place heavy items on top of the furniture, unless the furniture has been designed for this purpose

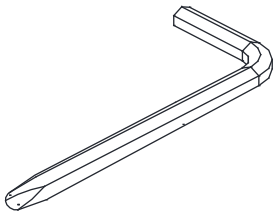
# Components - Fittings

Please check you have all the panels listed below

Note: The quantities below are the correct amount to complete the assembly. In some cases, more fittings may be supplied than required.

<p>(A)</p>  <p>Cam Bolt x 102</p>	<p>(B)</p>  <p>Dowel x 58</p>	<p>(C)</p>  <p>Cam lock x 102</p>	<p>(D)</p>  <p>Allen key x 1</p>
<p>(E)</p>  <p>3*12mm Screw x 18</p>	<p>(F)</p>  <p>3*16mm Base knob x 2SET</p>	<p>(G)</p>  <p>7*40mm Screw x 4</p>	<p>(H)</p>  <p>4*25mm Screw x 13</p>
<p>(I)</p>  <p>8*20mm Dowel x 4</p>	<p>(J)</p>  <p>4*35mm Screw x 2</p>	<p>(K)</p>  <p>2.6*10mm Screw x 42</p>	<p>(L)</p>  <p>Shelf support pin x 9</p>
<p>(M)</p>  <p>3*12mm Round handle x 2SET</p>	<p>(N)</p>  <p>3*12mm Three fold hinge x 10SET</p>	<p>(O)</p>  <p>3*12mm Magnetic sheet x 4SET</p>	<p>(P)</p>  <p>4*18mm Round handle x 4SET</p>
<p>(Q)</p>  <p>Iron pipe spring x 9</p>	<p>(R)</p>  <p>4*35mm Anti tipping x 2SET</p>	<p>(CL)</p>  <p>350mm runner x 2</p>	<p>(CR)</p>  <p>350mm runner x 2</p>
<p>(DR)</p>  <p>350mm runner x 2</p>	<p>(DL)</p>  <p>350mm runner x 2</p>		

## Tools required



Phillips screwdriver  
(medium & large)

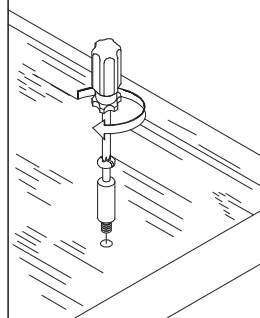
# Using Camlocks

## Step 1

Connect the male camlock as directed in the assembly instructions using a screwdriver.

1

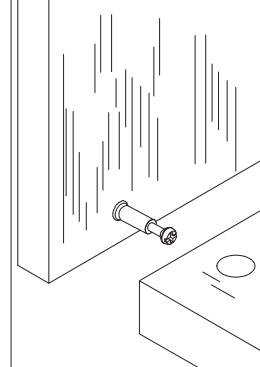
DO NOT OVER TIGHTEN.  
NE PAS SERRER EXCESSIVEMENT.



## Step 2

Push the male camlock into the entry hole.

2

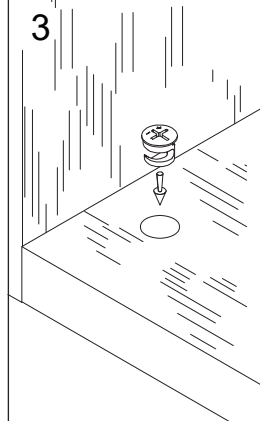


## Step 3

Insert the female camlock as shown in the instruction.

Note: ensure that the arrow on the top of the camlock points towards the entry hole for the male camlock.

3



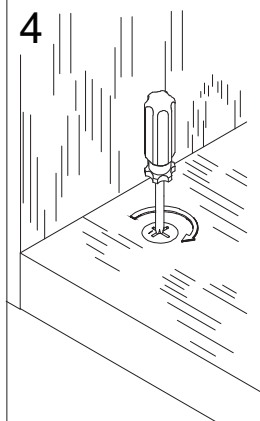
## Step 4

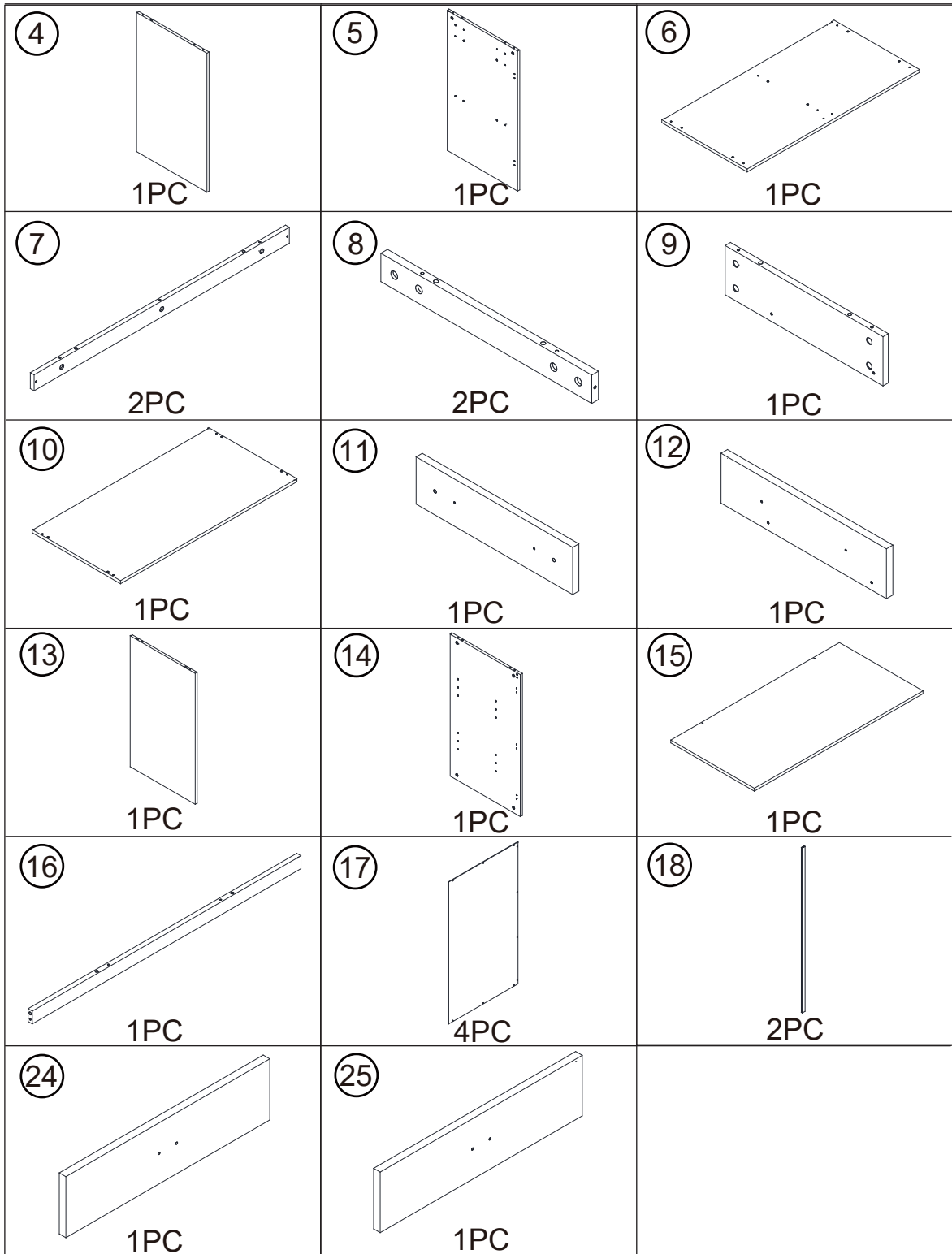
Turn the female camlock clockwise with a screwdriver.


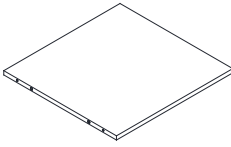
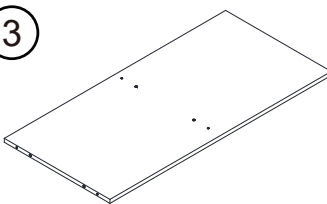
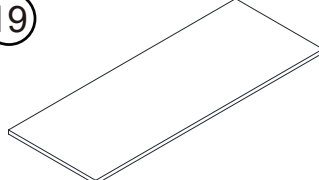
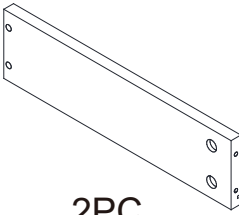
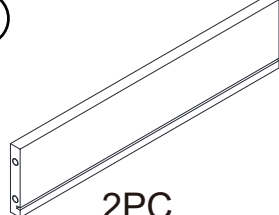
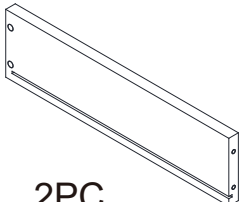
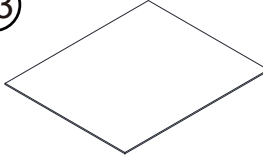






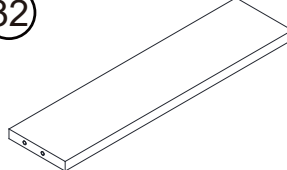
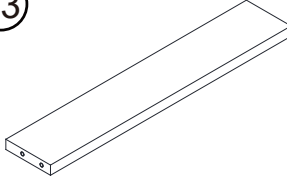
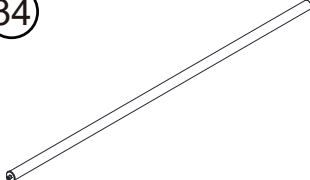
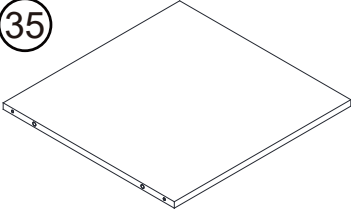

You should feel a click when the camlock is locked in place.

The joint is now secure.

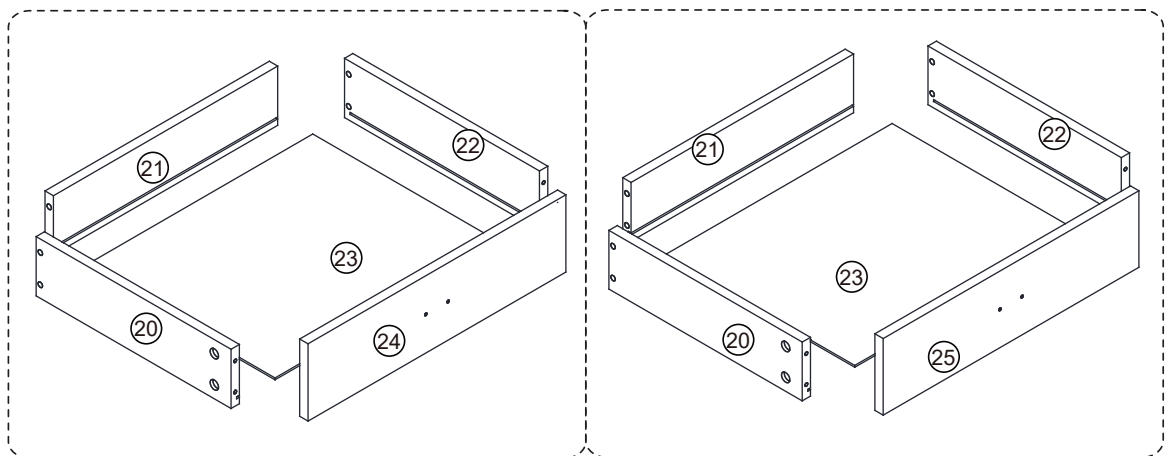
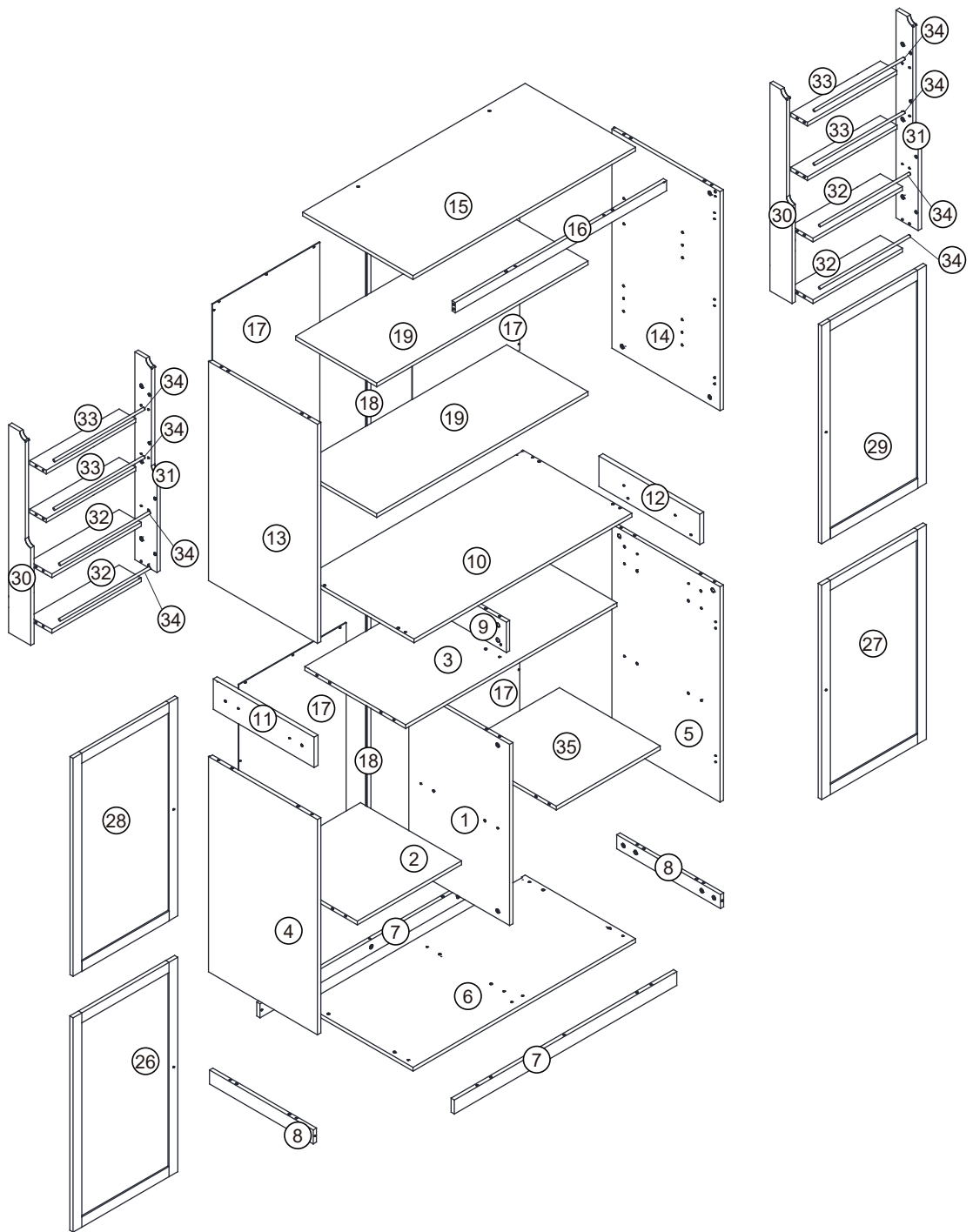
4





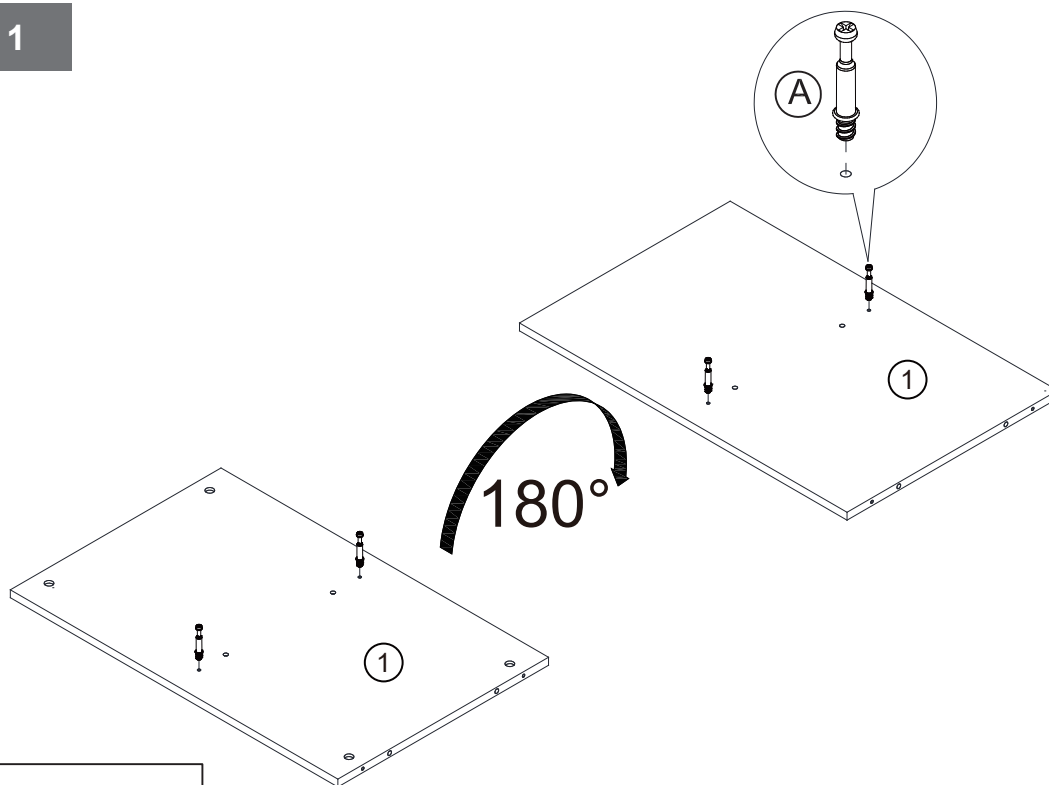
<p>①</p>  <p>1PC</p>	<p>②</p>  <p>1PC</p>	<p>③</p>  <p>1PC</p>
<p>⑱</p>  <p>2PC</p>	<p>⑳</p>  <p>2PC</p>	<p>㉑</p>  <p>2PC</p>
<p>㉒</p>  <p>2PC</p>	<p>㉓</p>  <p>2PC</p>	<p>㉖</p>  <p>1PC</p>
<p>㉗</p>  <p>1PC</p>	<p>㉘</p>  <p>1PC</p>	<p>㉙</p>  <p>1PC</p>
<p>㉚</p>  <p>2PC</p>	<p>㉛</p>  <p>2PC</p>	<p>㉜</p>  <p>4PC</p>
<p>㉝</p>  <p>4PC</p>	<p>㉞</p>  <p>8PC</p>	<p>㉟</p>  <p>1PC</p>
 <p>Hardware Kit</p> <p>1PC</p>		

# Assembly Instructions

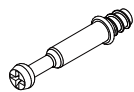


# Assembly Instructions

## Step 1

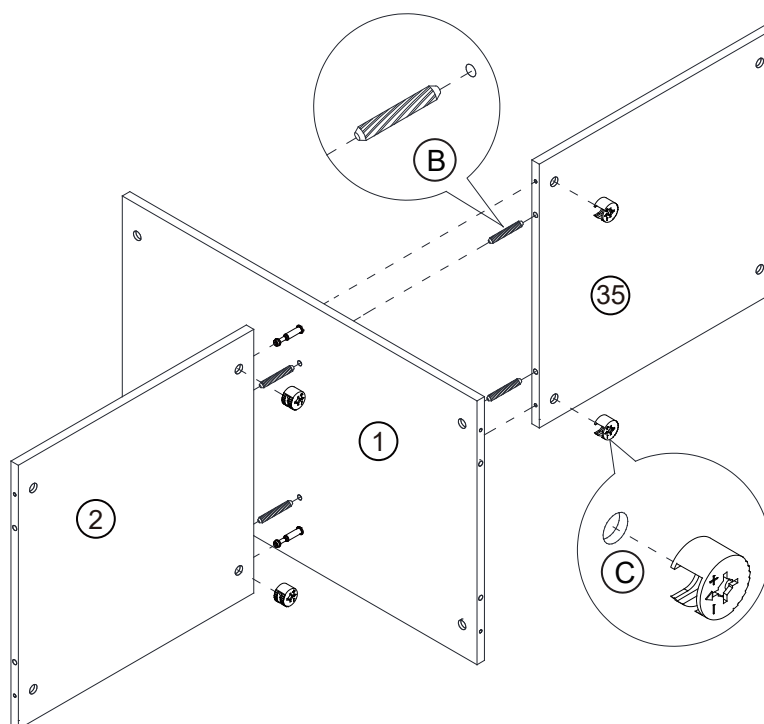


(A)



Cam Bolt x4

## Step 2



(B)



Dowel x 4

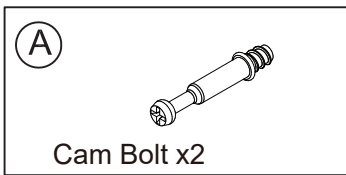
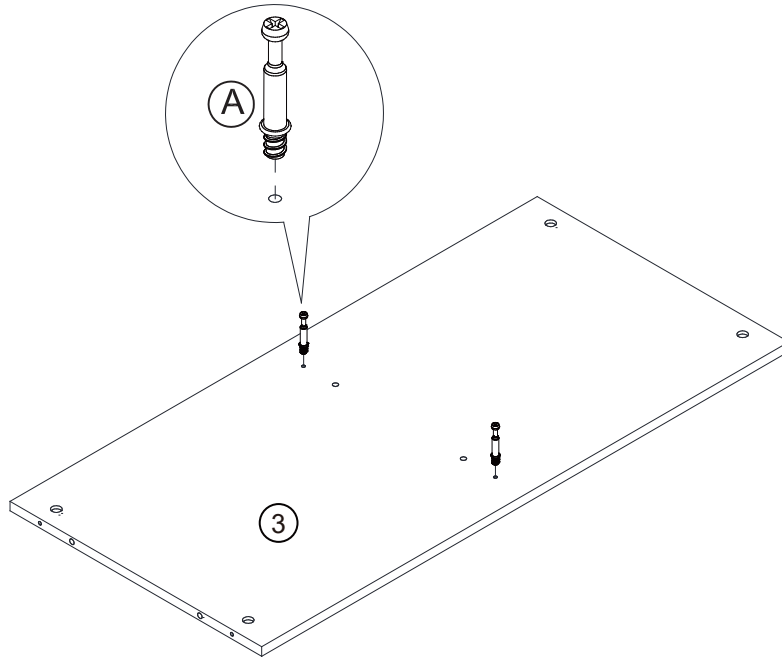
(C)



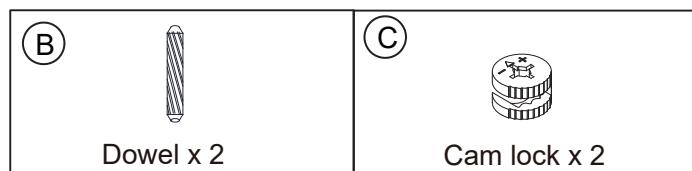
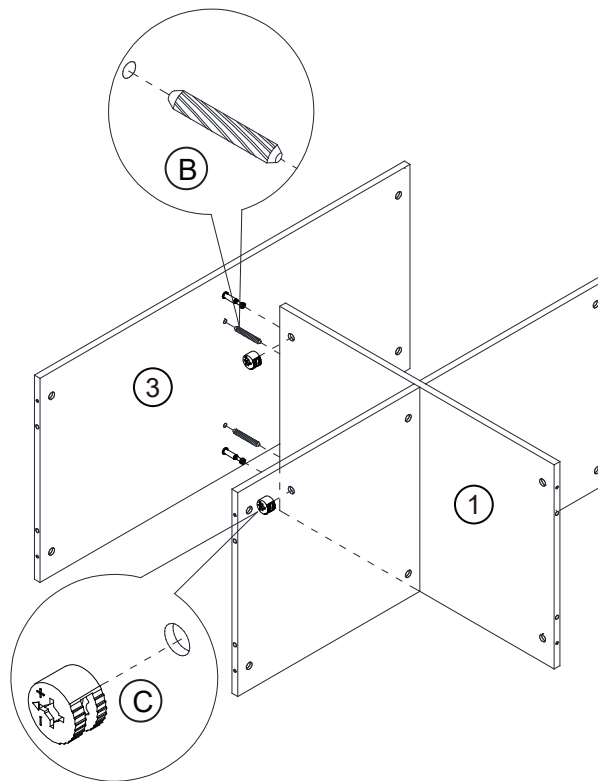
Cam lock x 4

# Assembly Instructions

## Step 3

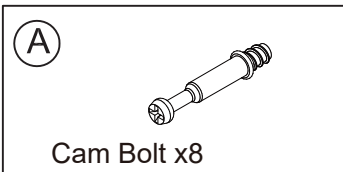
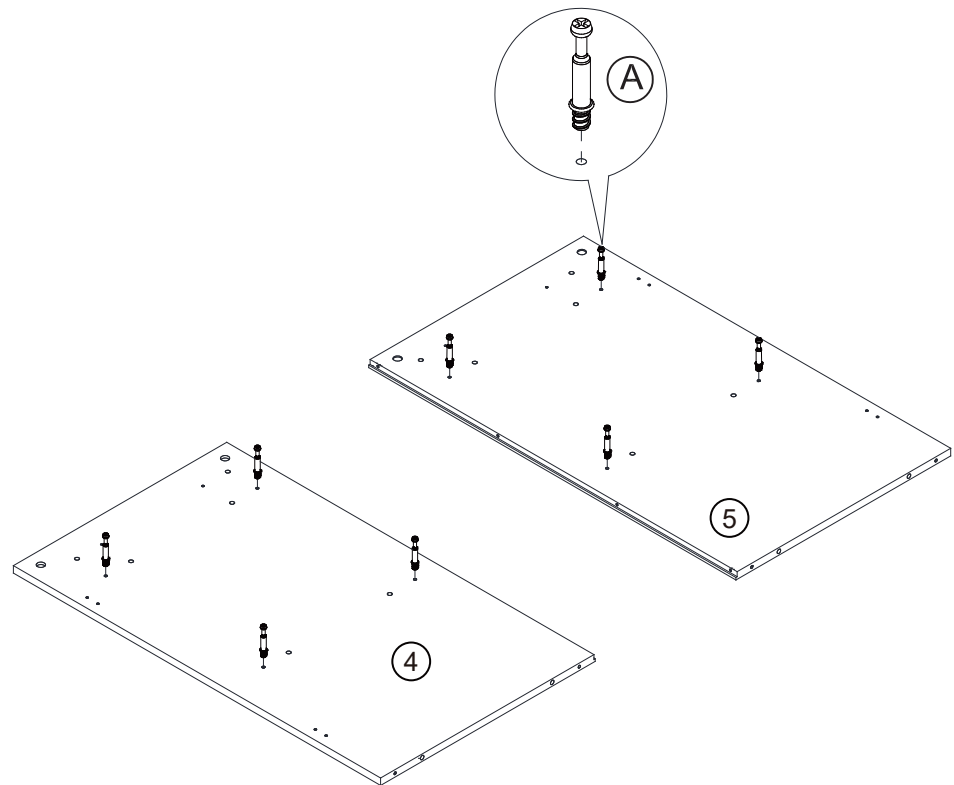


## Step 4

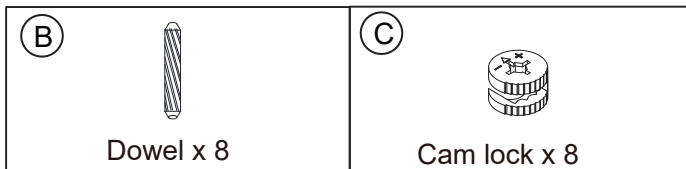
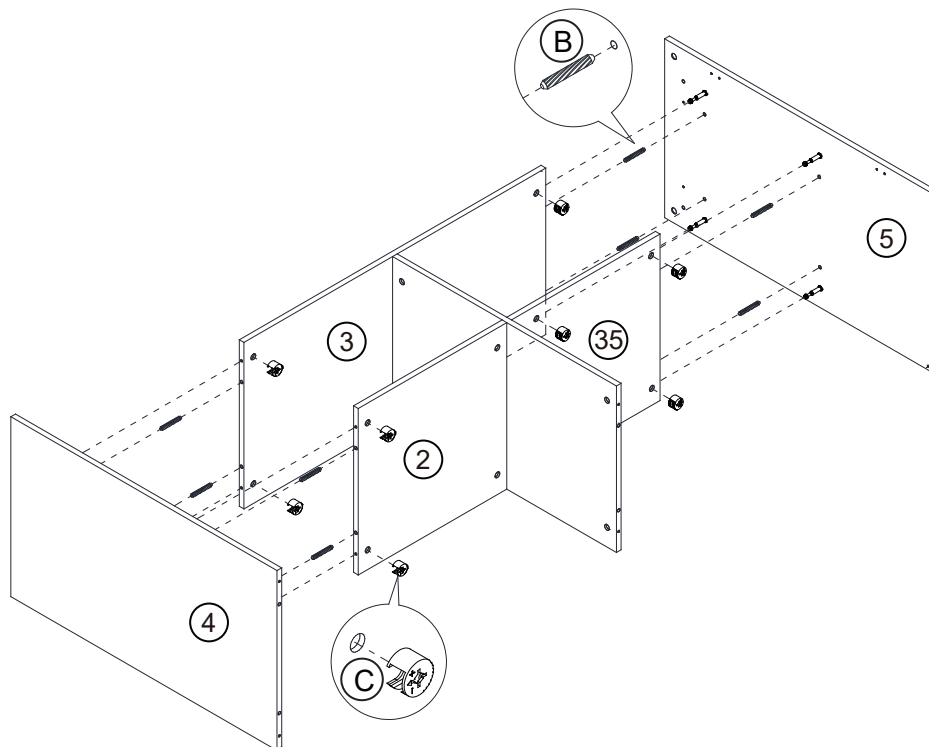


# Assembly Instructions

## Step 5

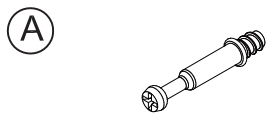
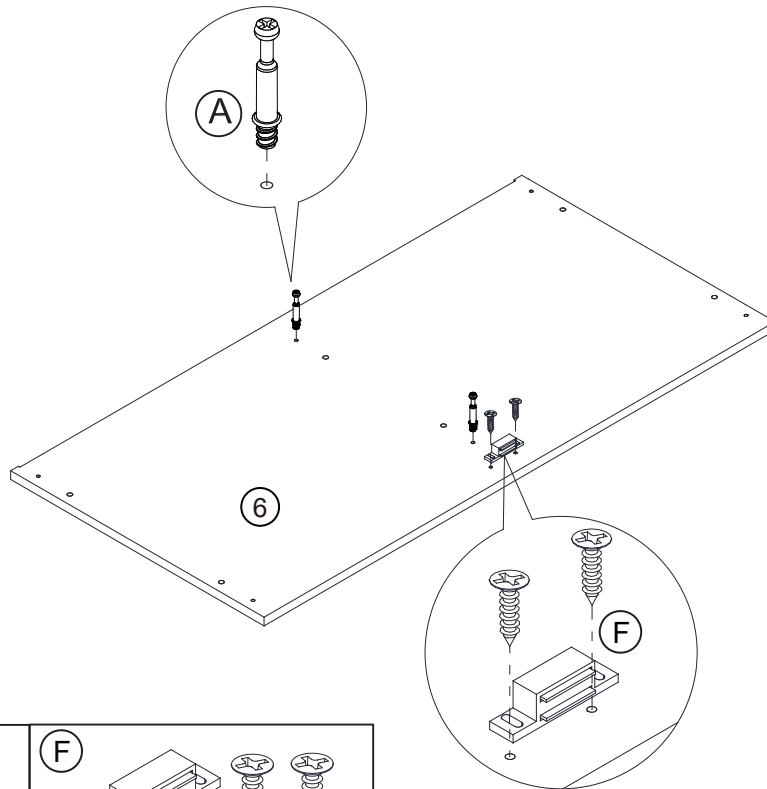


## Step 6

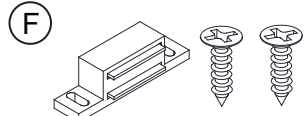


# Assembly Instructions

## Step 7

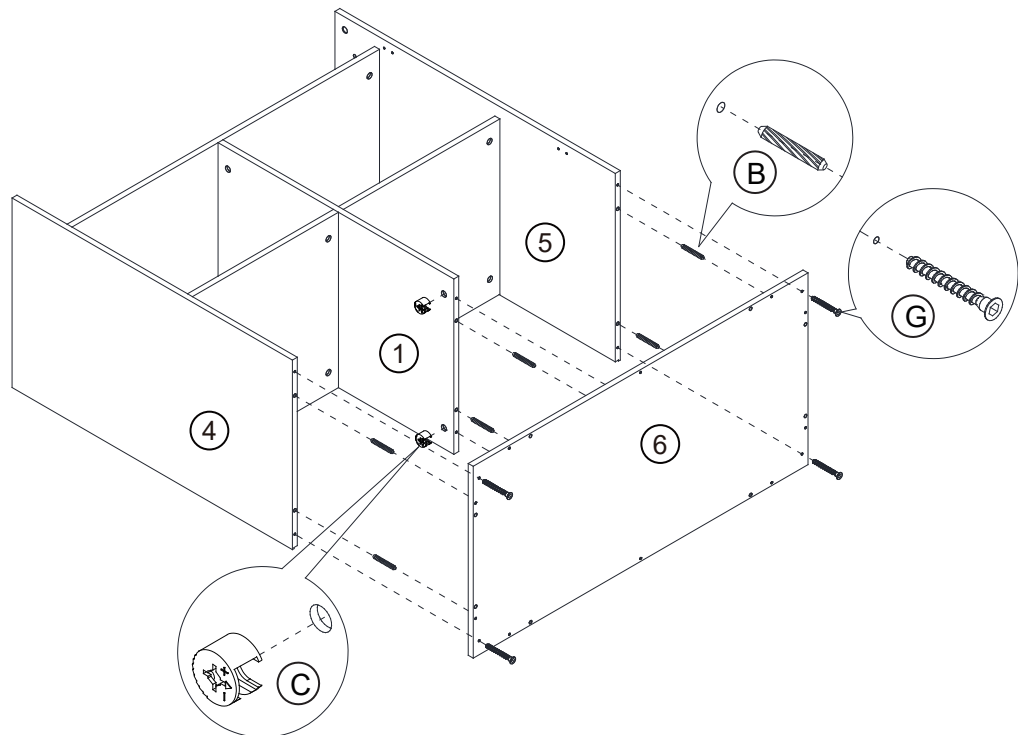


Cam Bolt x2



3\*16mm Base knob 1SET

## Step 8



(B)



Dowel x 6

(C)



Cam lock x 2

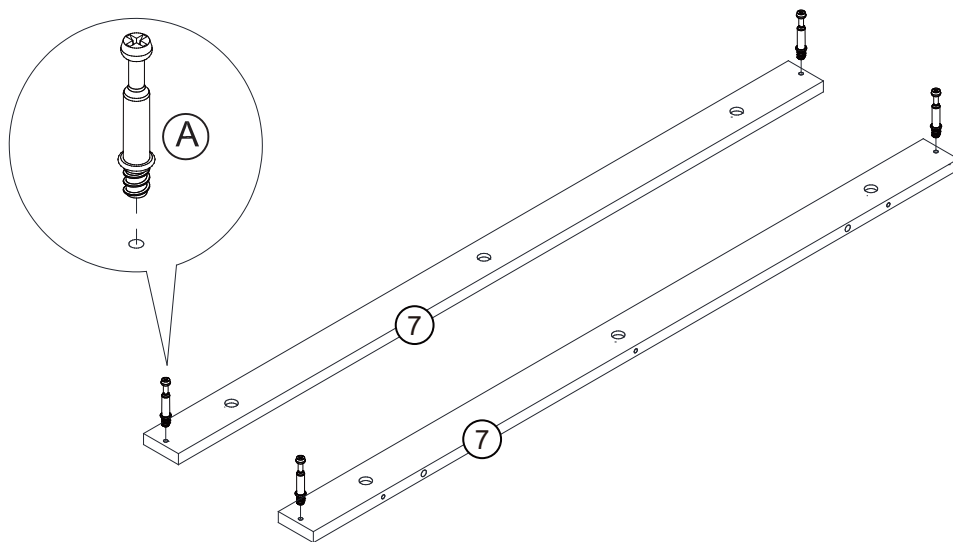
(G)



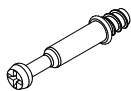
7\*40mm Screw x 4

# Assembly Instructions

## Step 9

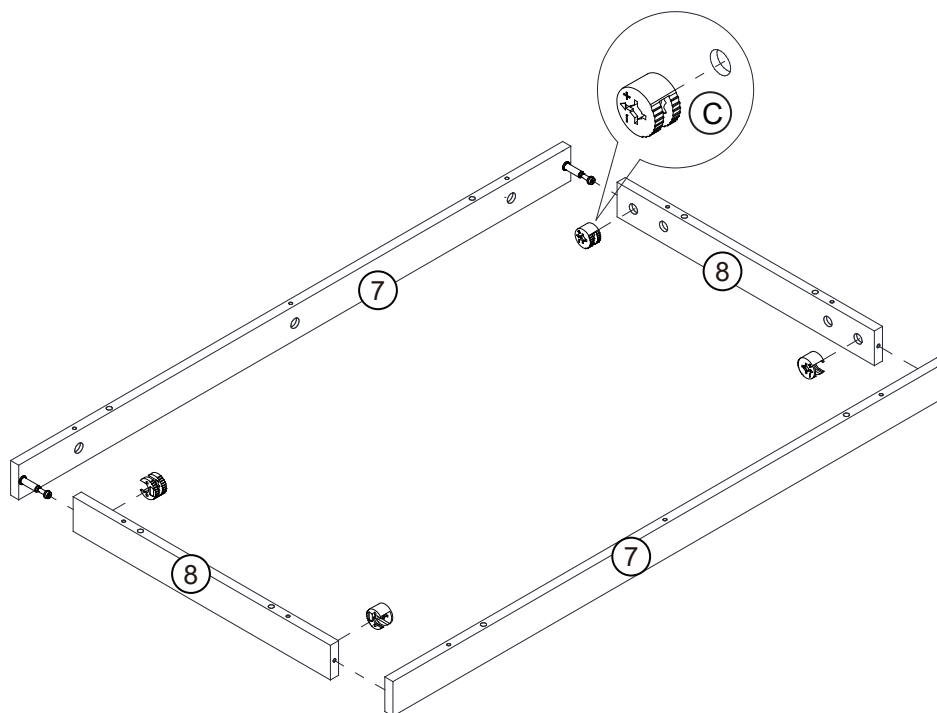


A



Cam Bolt x4

## Step 10



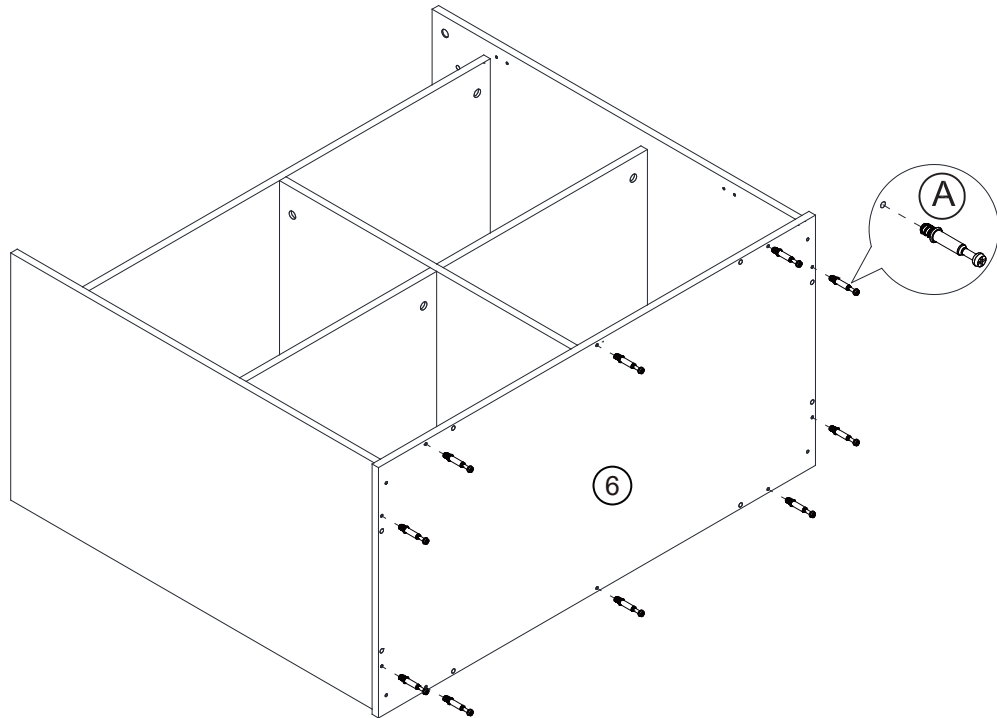
C



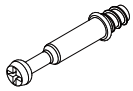
Cam lock x 4

# Assembly Instructions

## Step 11

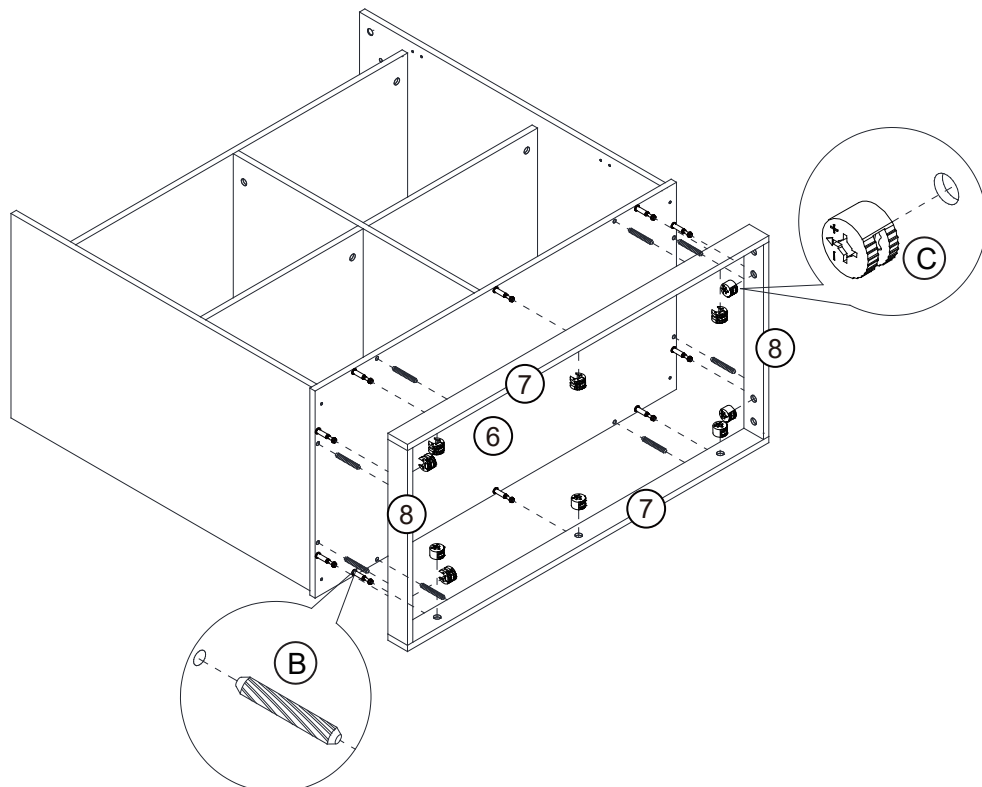


(A)



Cam Bolt x10

## Step 12



(B)



Dowel x 8

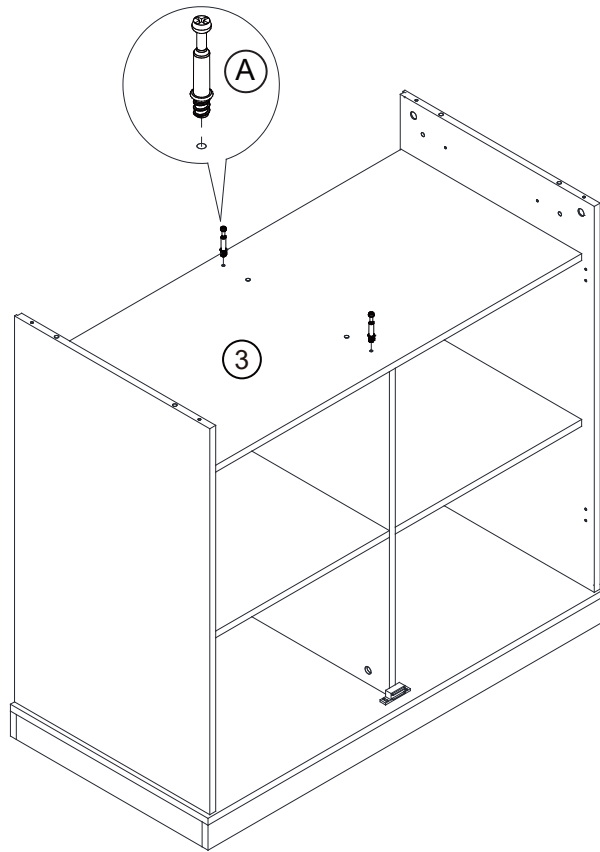
(C)



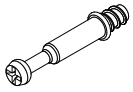
Cam lock x 10

# Assembly Instructions

## Step 13

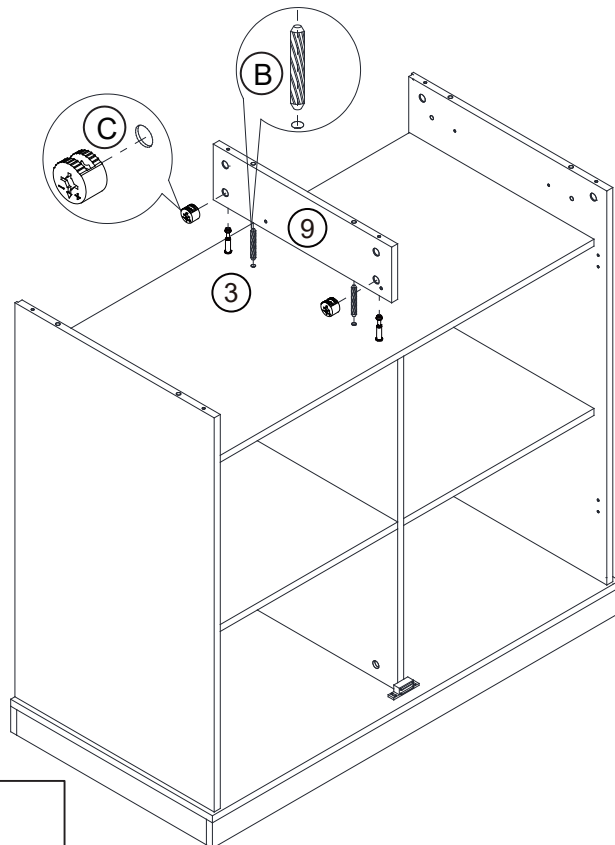


(A)



Cam Bolt x 2

## Step 14



(B)



Dowel x 2

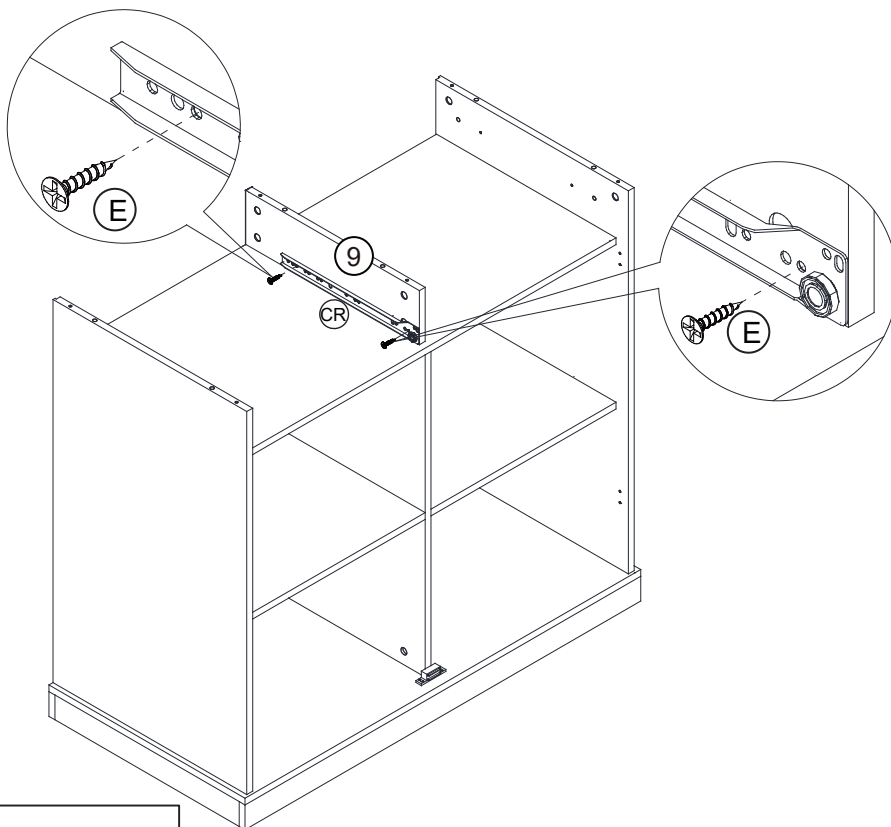
(C)



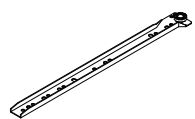
Cam lock x 2

# Assembly Instructions

## Step 15



CR



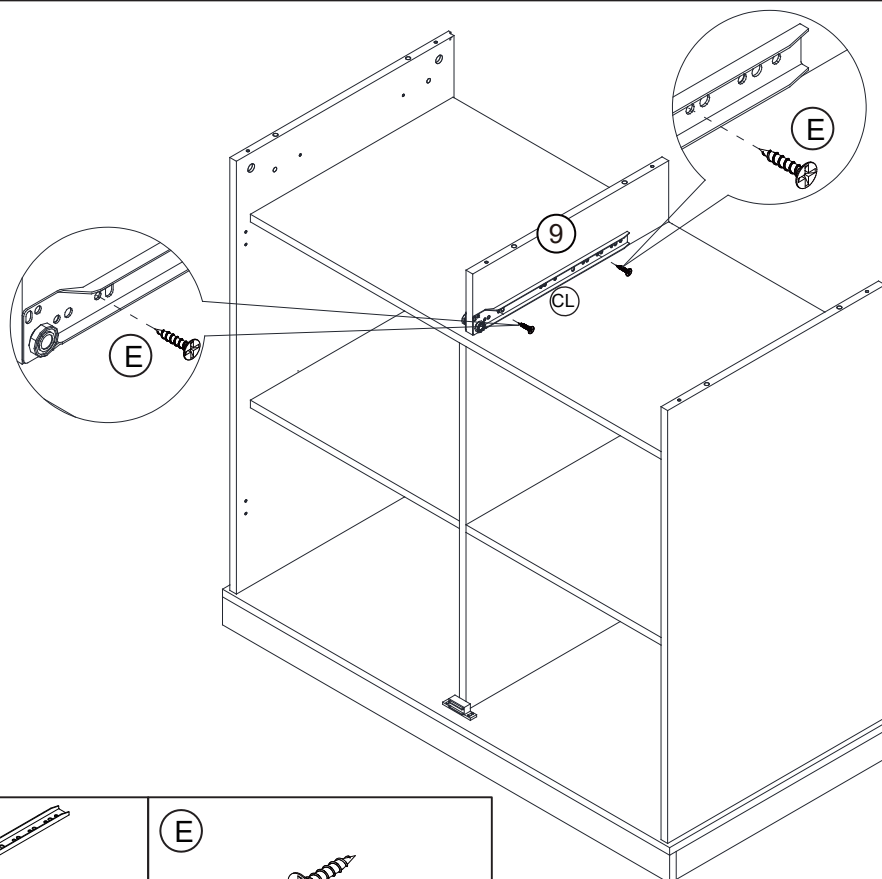
350mm runner x 1

E

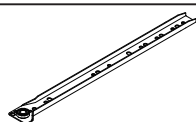


3\*12mm Screw x 2

## Step 16



CL



350mm runner x 1

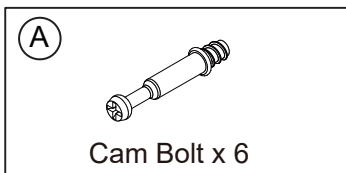
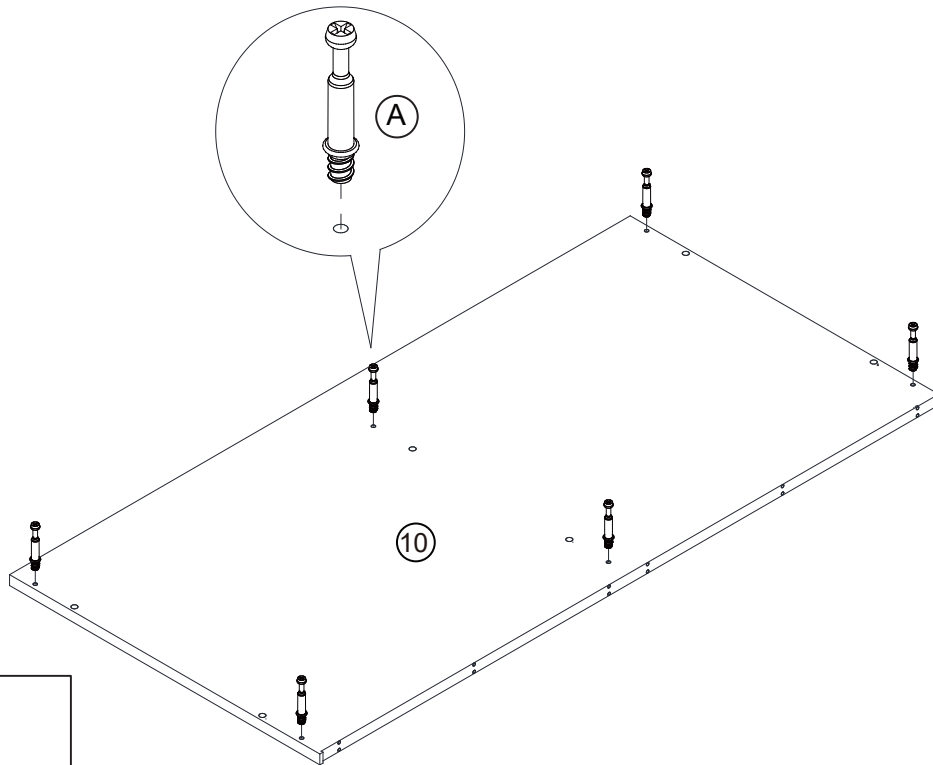
E



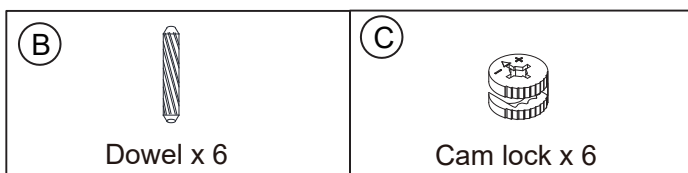
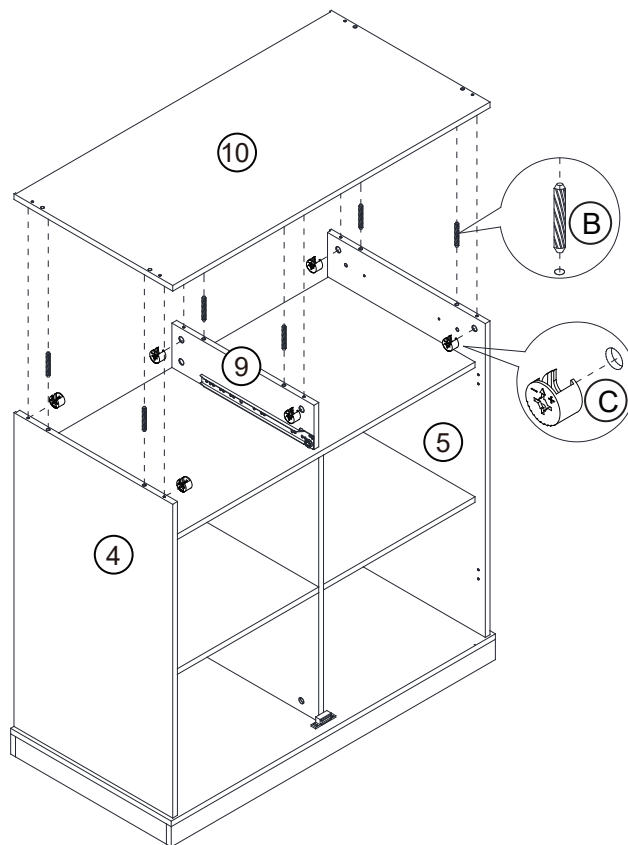
3\*12mm Screw x 2

# Assembly Instructions

## Step 17

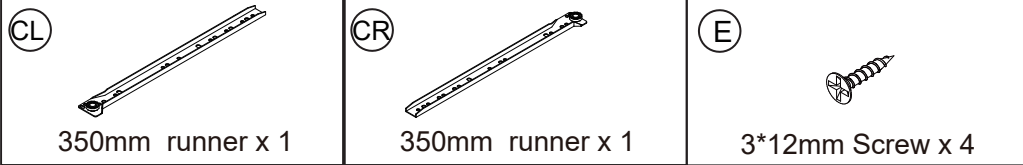
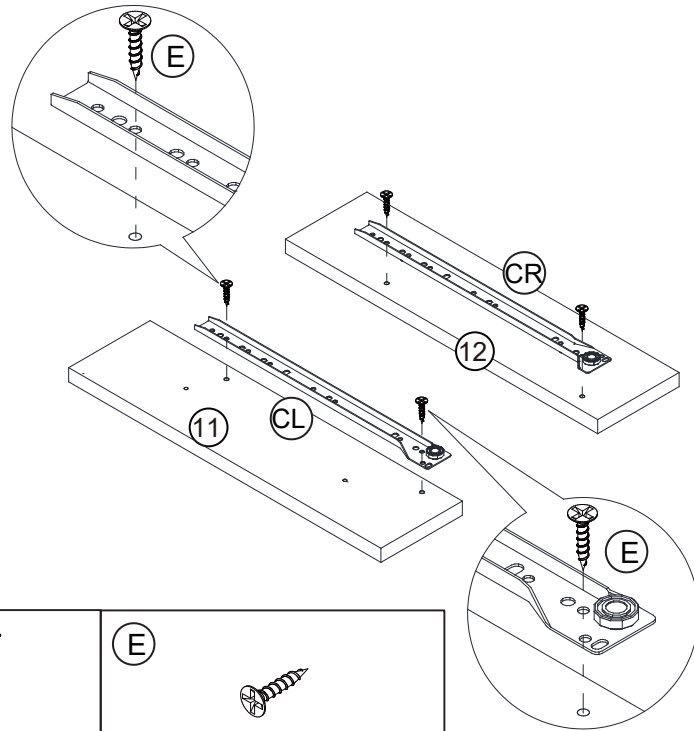


## Step 18

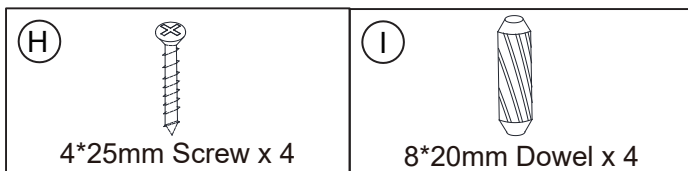
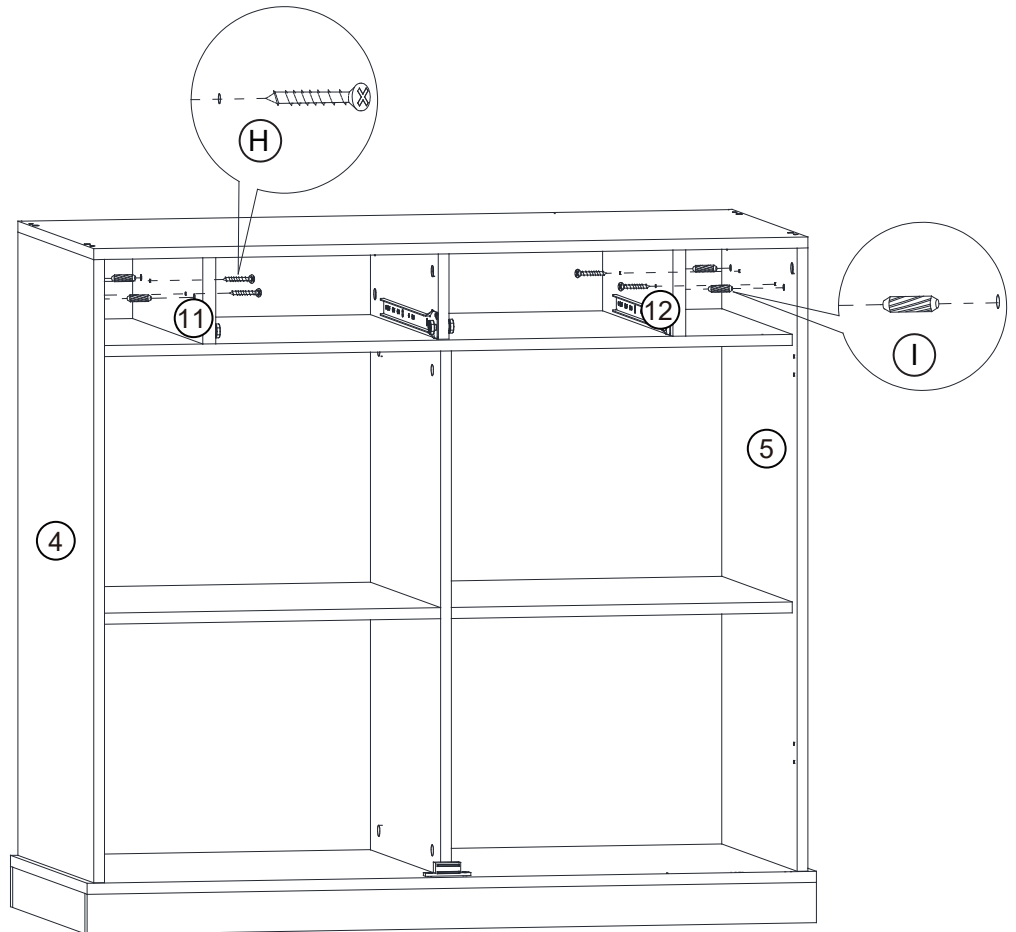


# Assembly Instructions

## Step 19

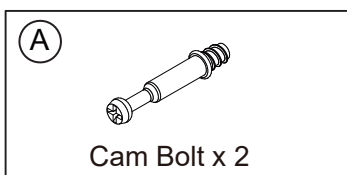
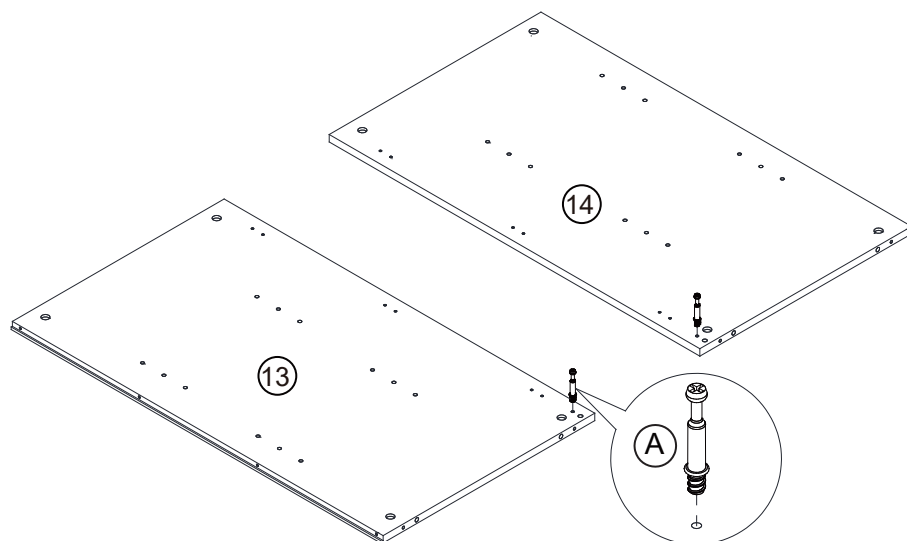


## Step 20

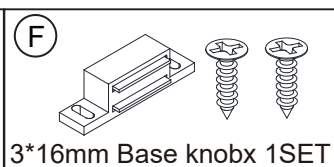
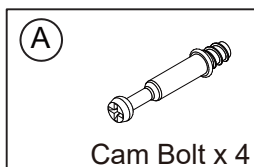
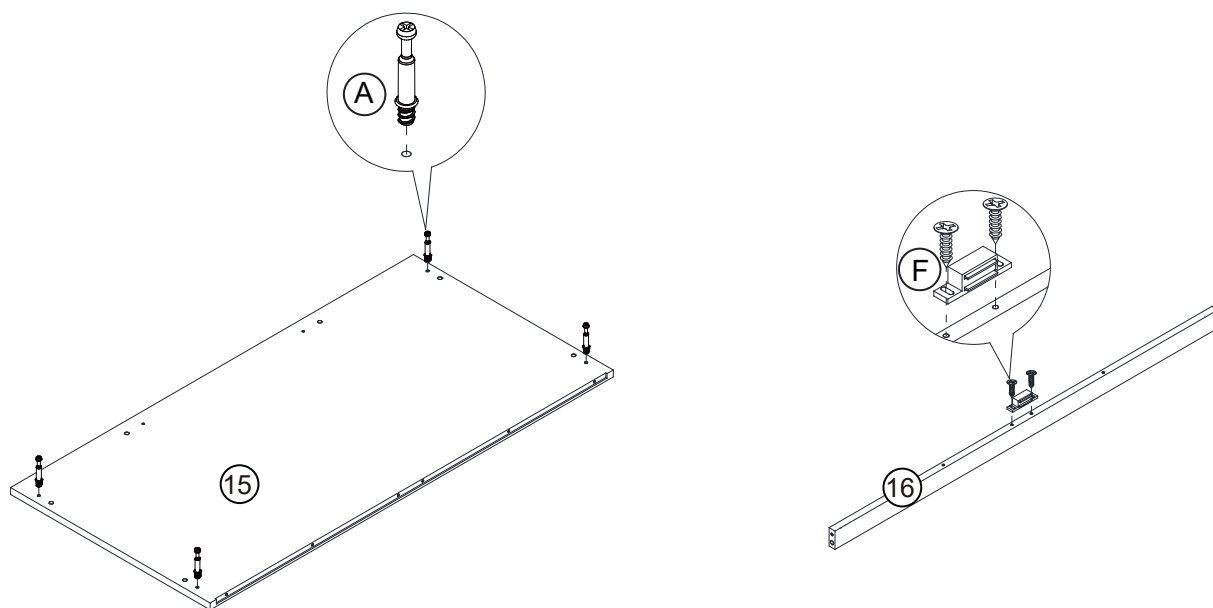


# Assembly Instructions

## Step 21

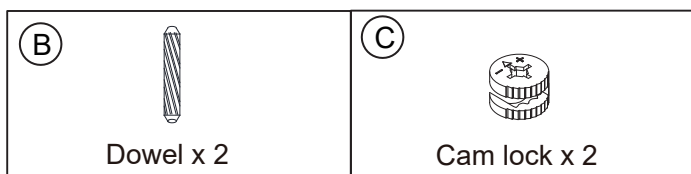
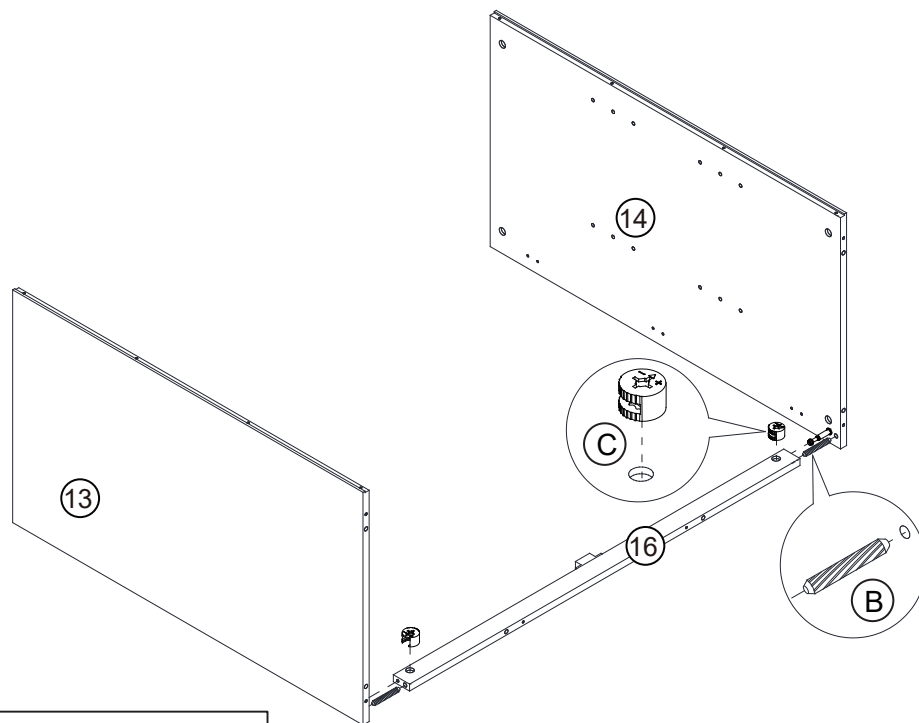


## Step 22

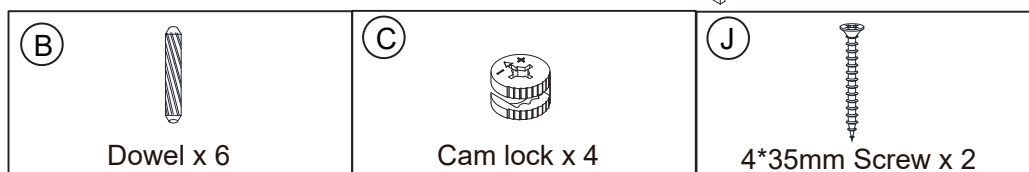
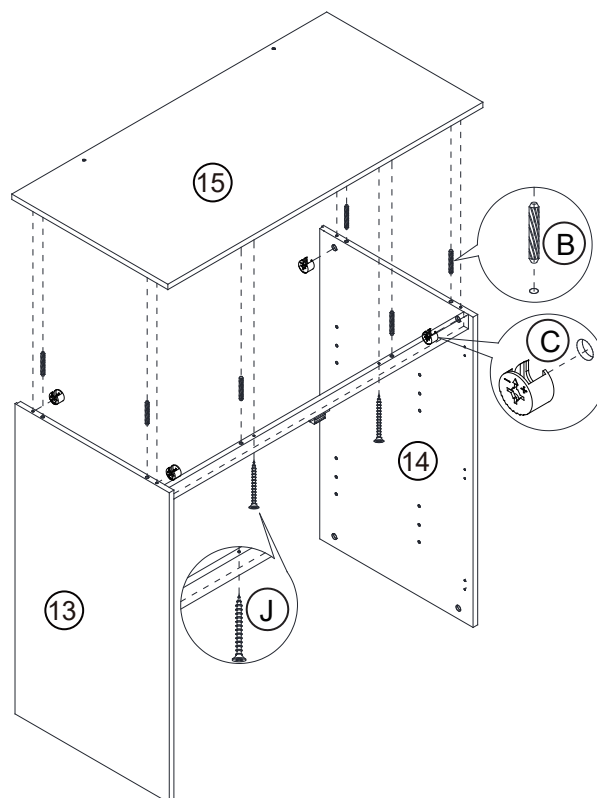


# Assembly Instructions

## Step 23

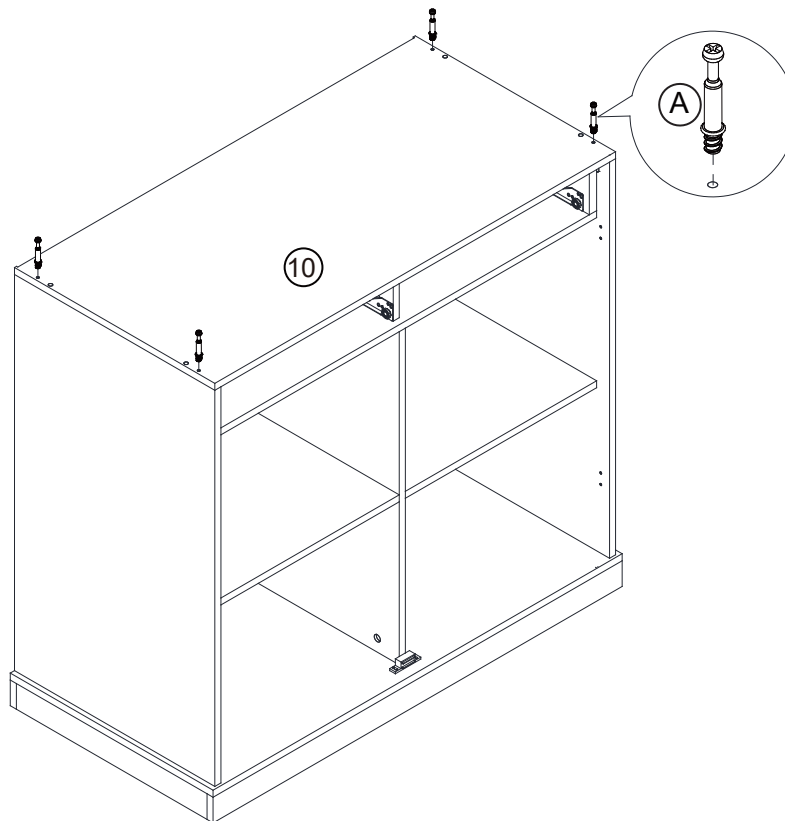


## Step 24

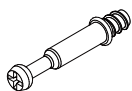


# Assembly Instructions

## Step 25

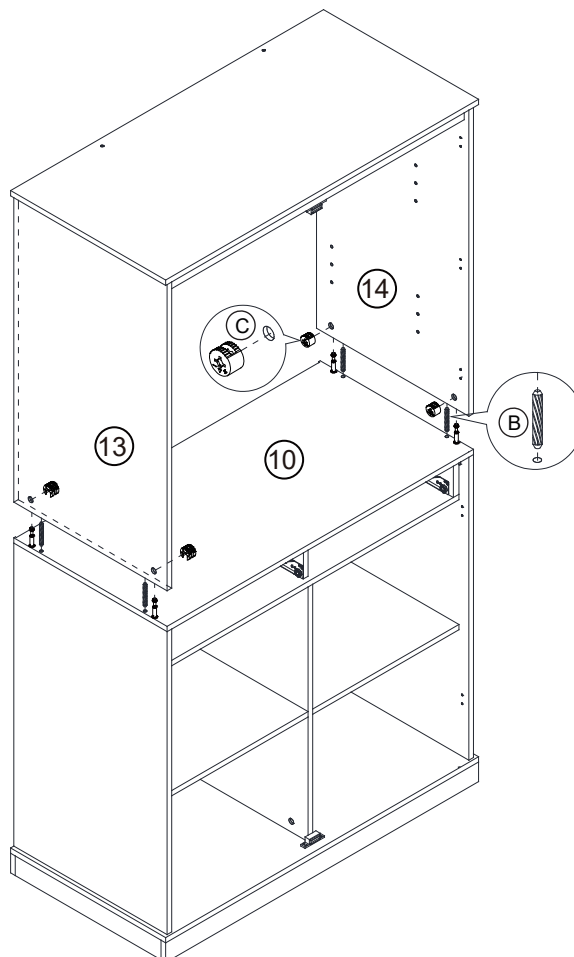


(A)



Cam Bolt x 4

## Step 26



(B)



Dowel x 4

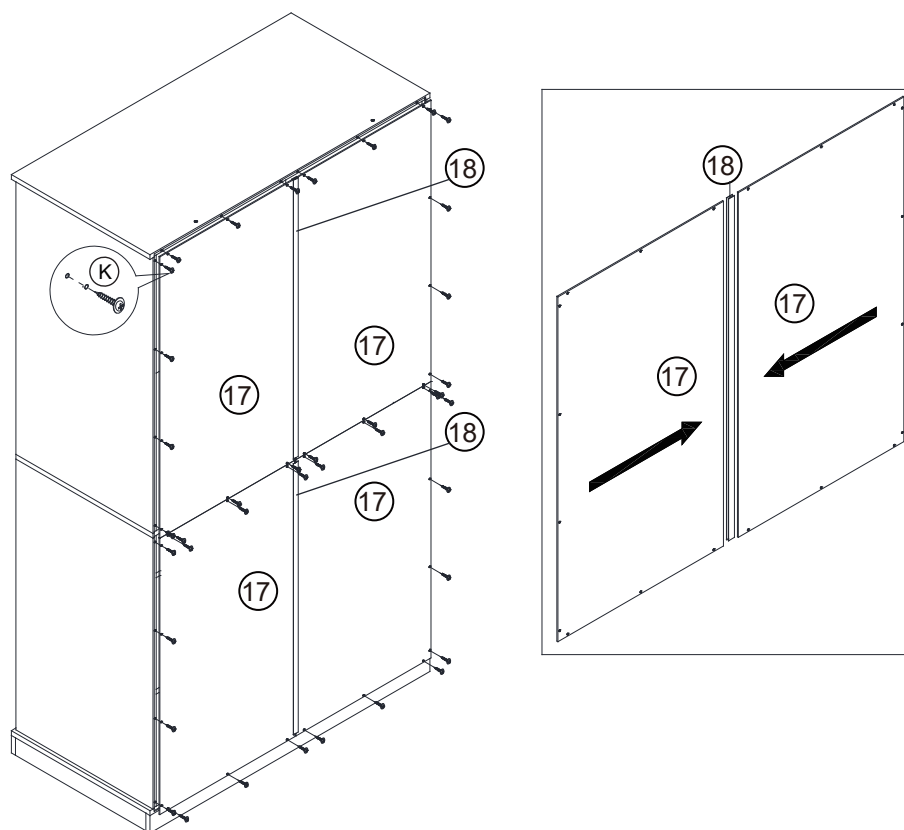
(C)



Cam lock x 4

# Assembly Instructions

## Step 27

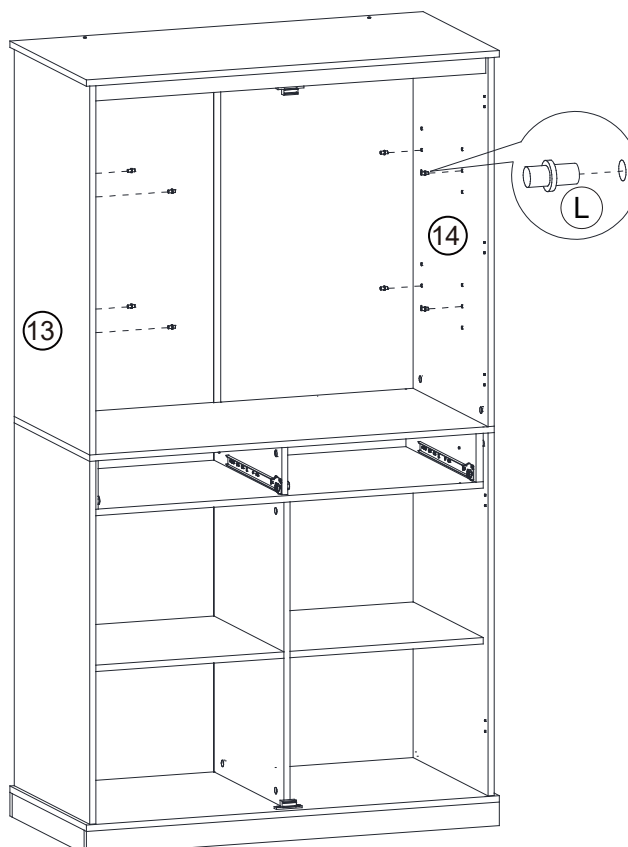


(K)

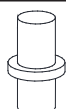


2.6\*10mm Screw x 40

## Step 28



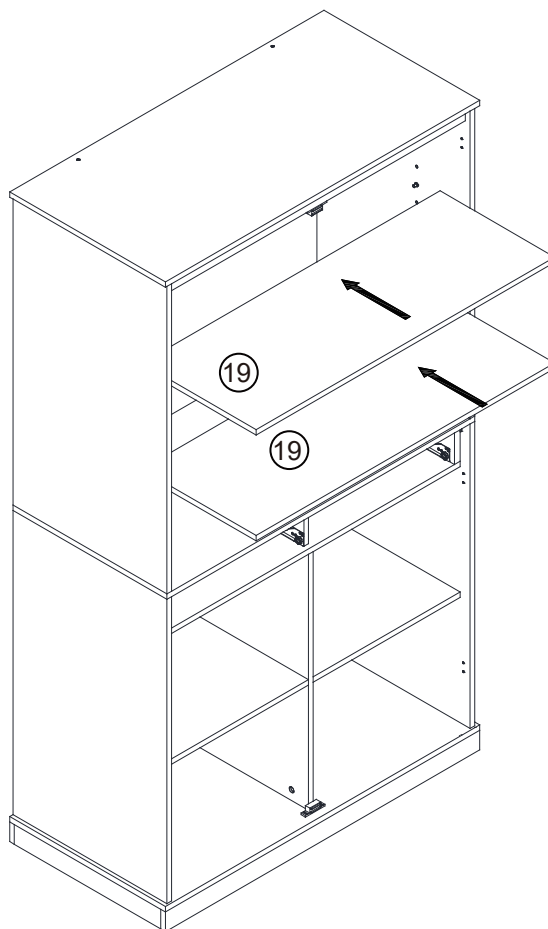
(L)



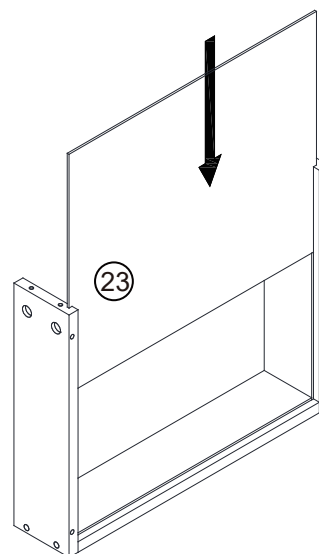
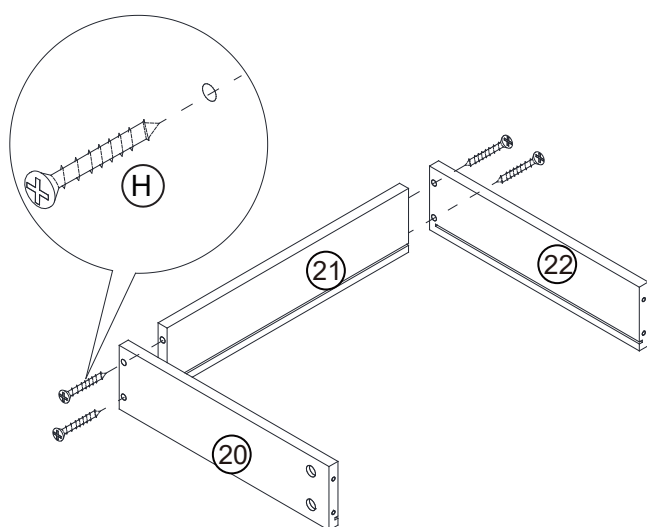
Shelf support pin x 8

# Assembly Instructions

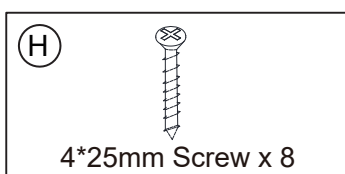
## Step 29



## Step 30

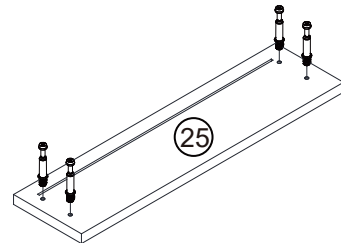
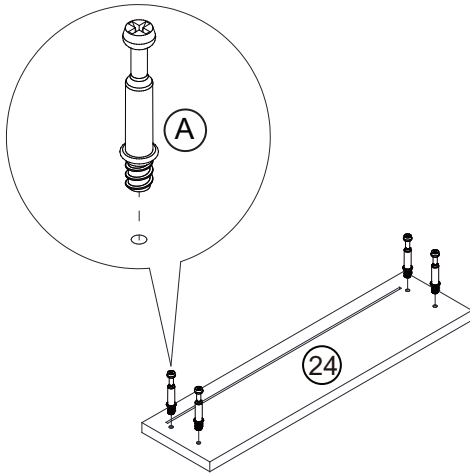


x2

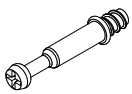


# Assembly Instructions

## Step 31

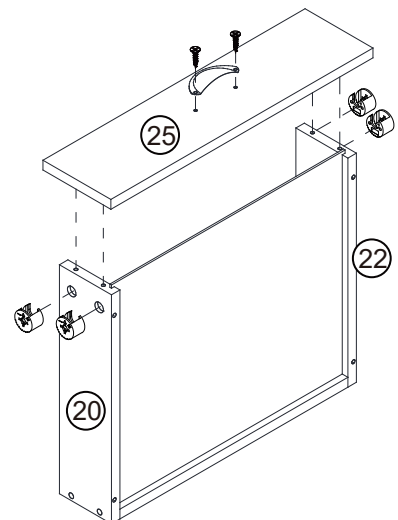
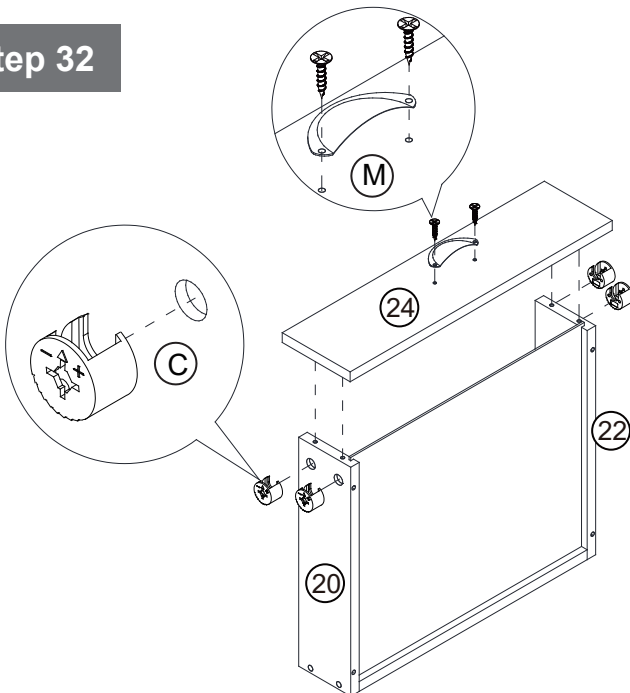


A



Cam Bolt x 8

## Step 32



C



Cam lock x 8

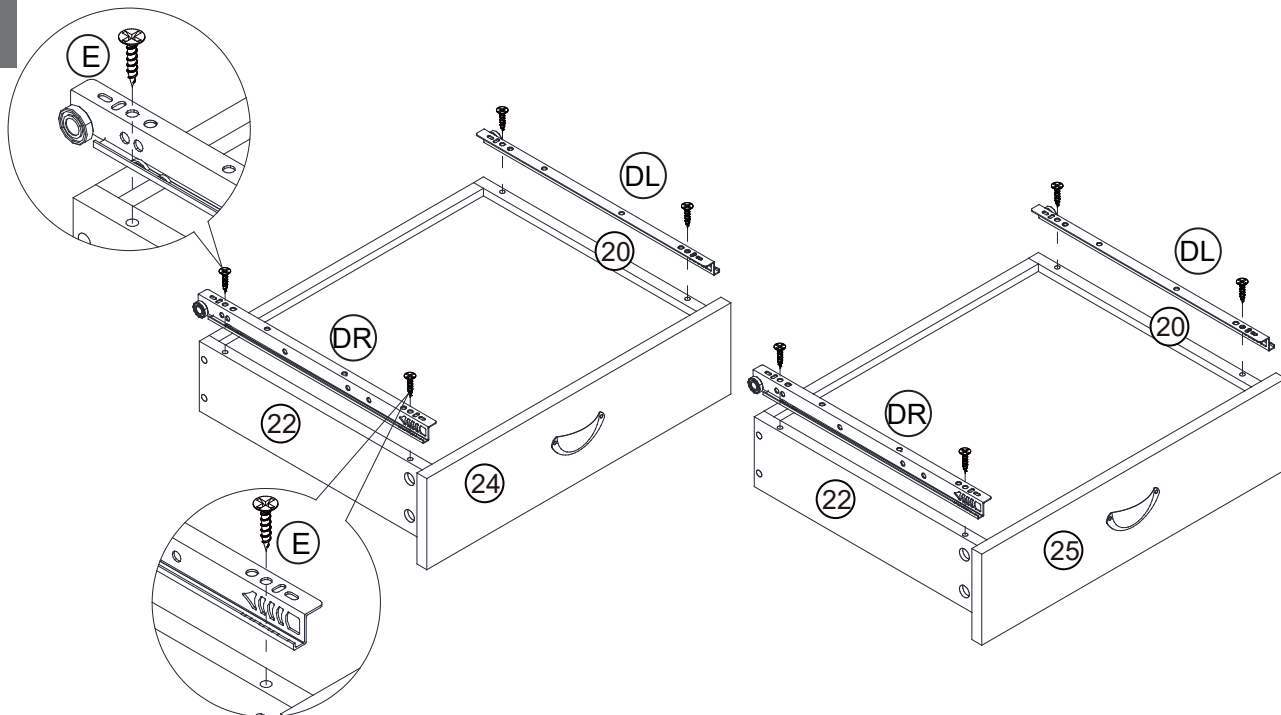
M



3\*12mm Round handle x 2 SET

# Assembly Instructions

## Step 33

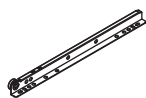


DL



350mm runner x 2

DR



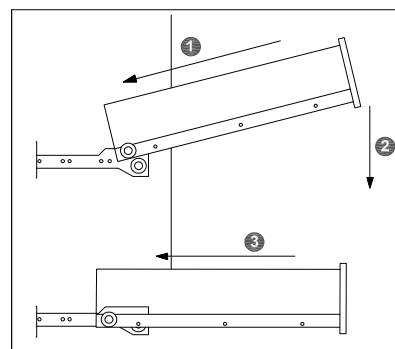
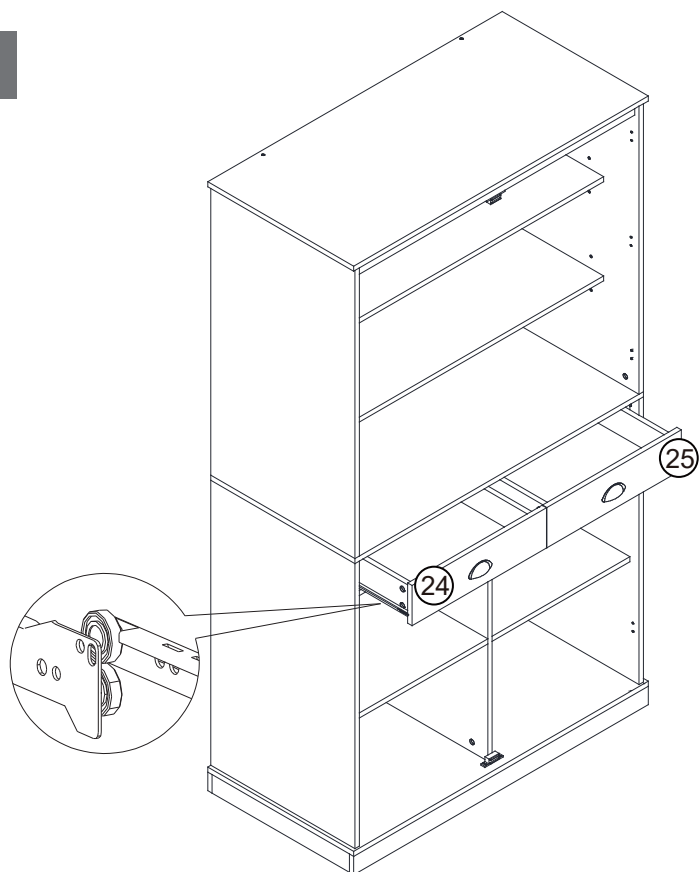
350mm runner x 2

E



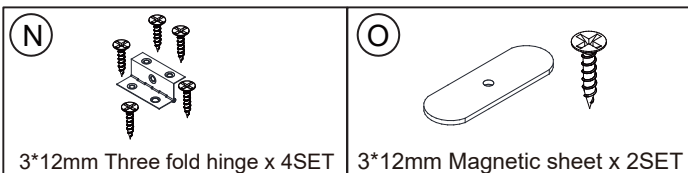
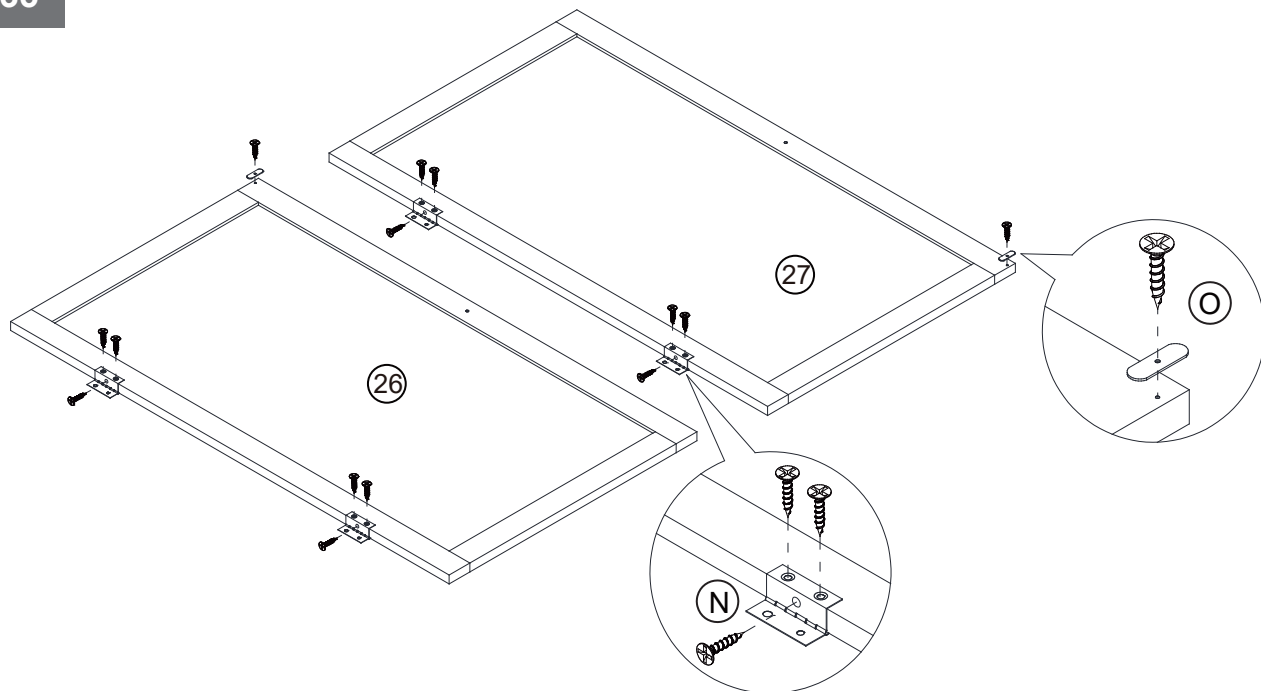
3\*12mm Screw x 8

## Step 34

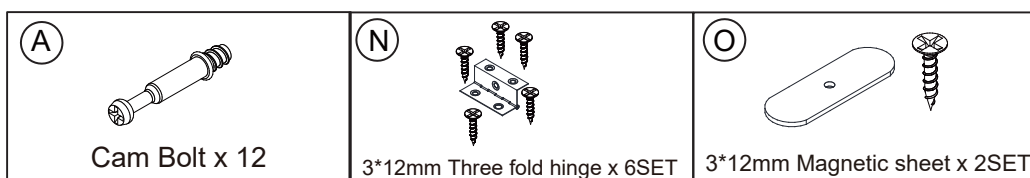
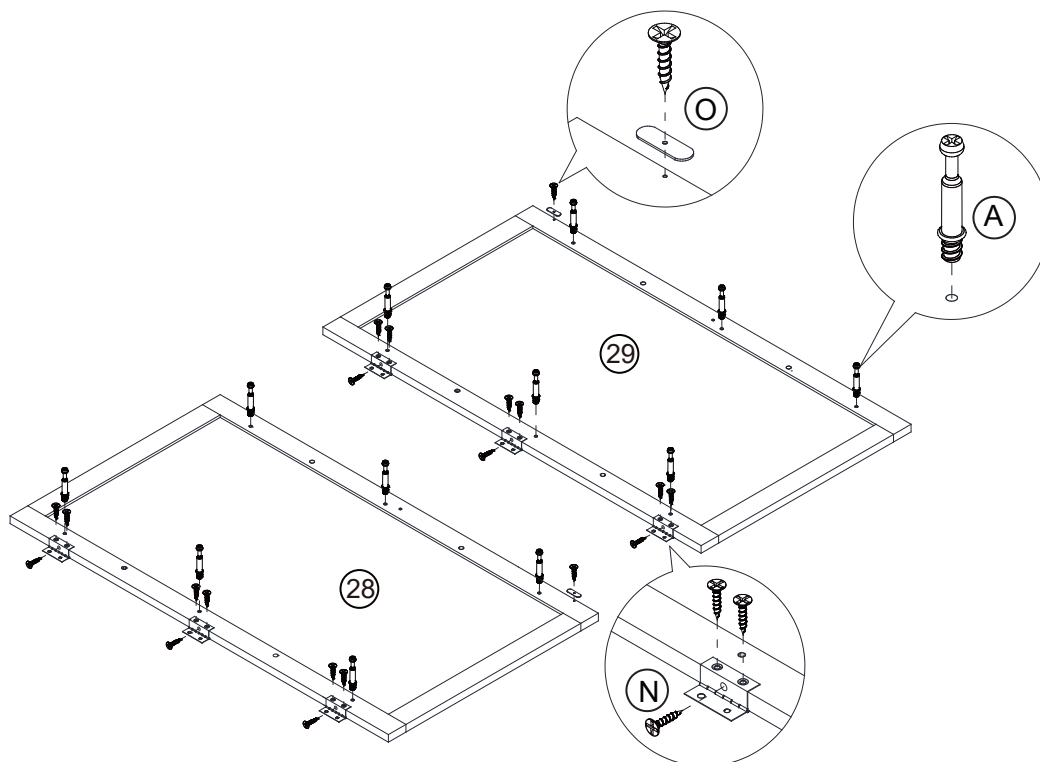


# Assembly Instructions

## Step 35

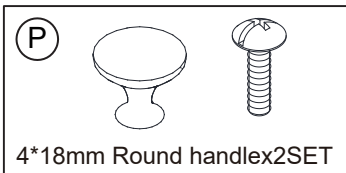
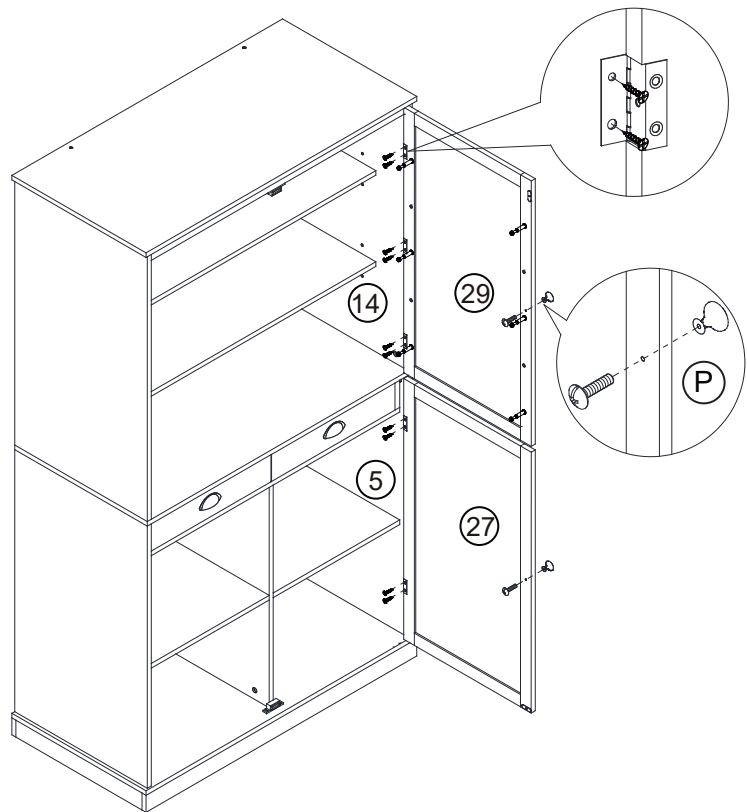


## Step 36

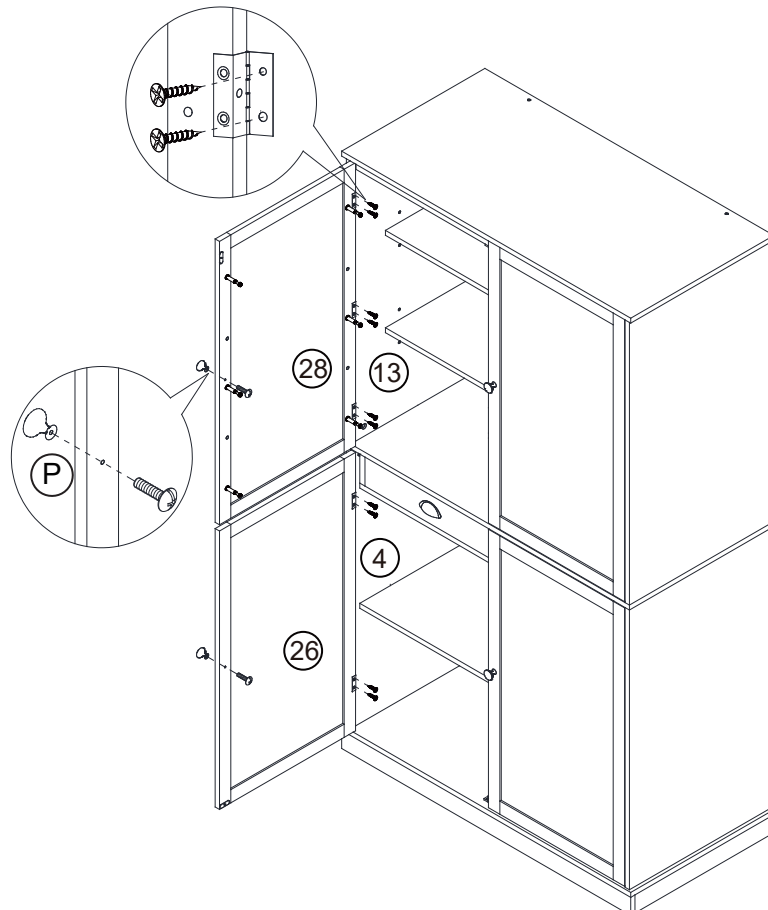


# Assembly Instructions

## Step 37

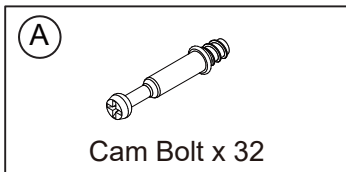
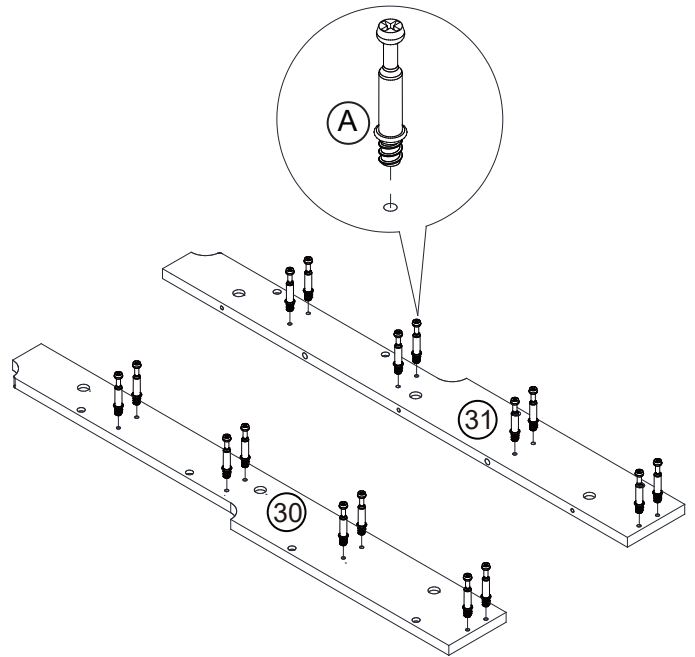
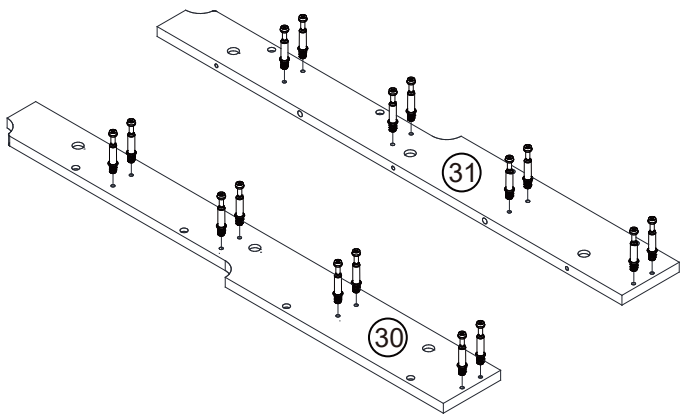


## Step 38

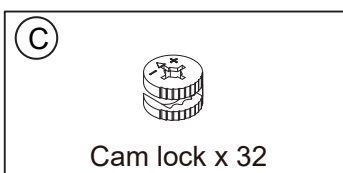
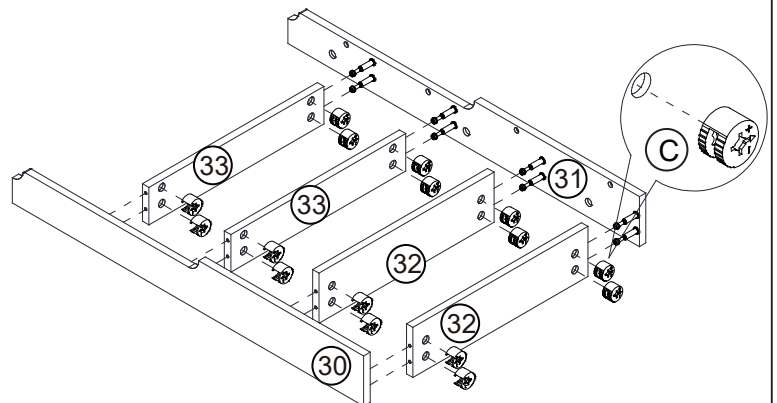
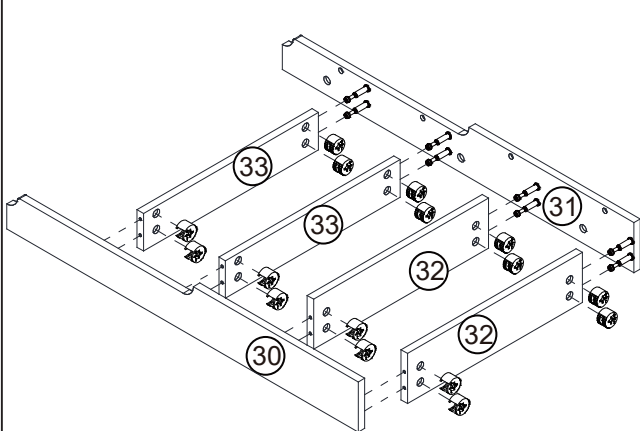


# Assembly Instructions

## Step 39

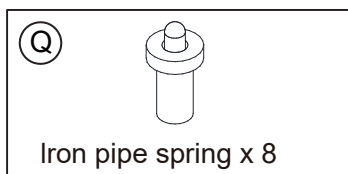
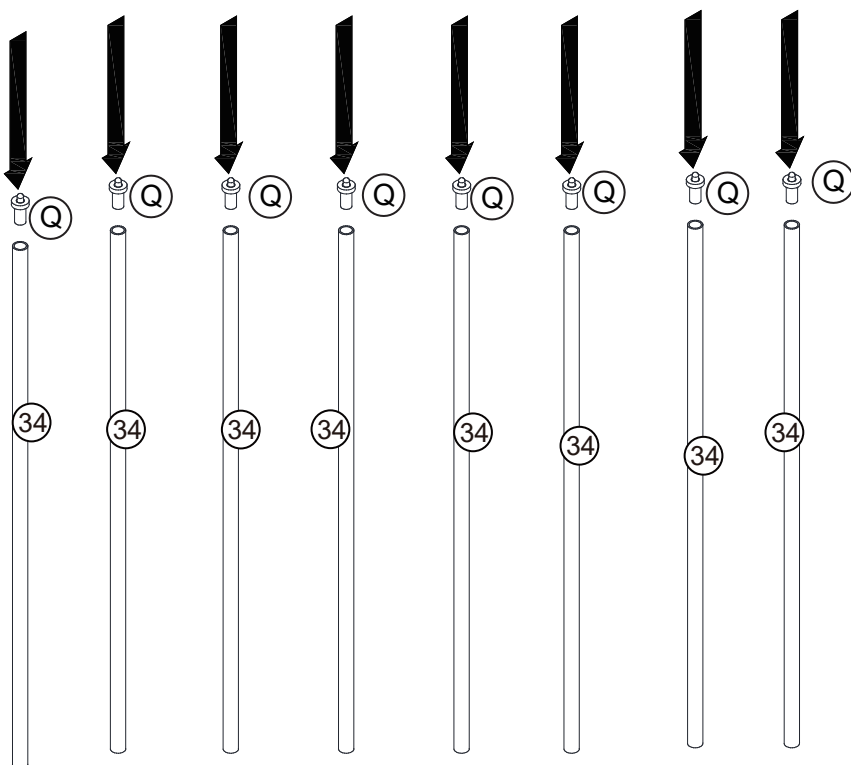
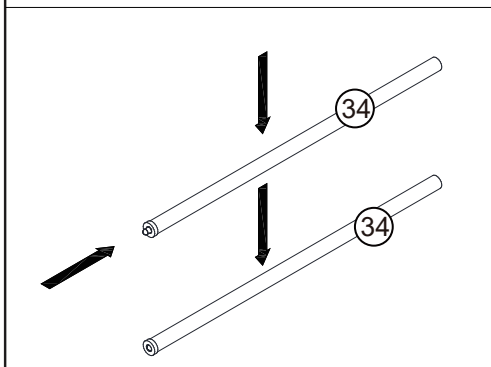


## Step 40

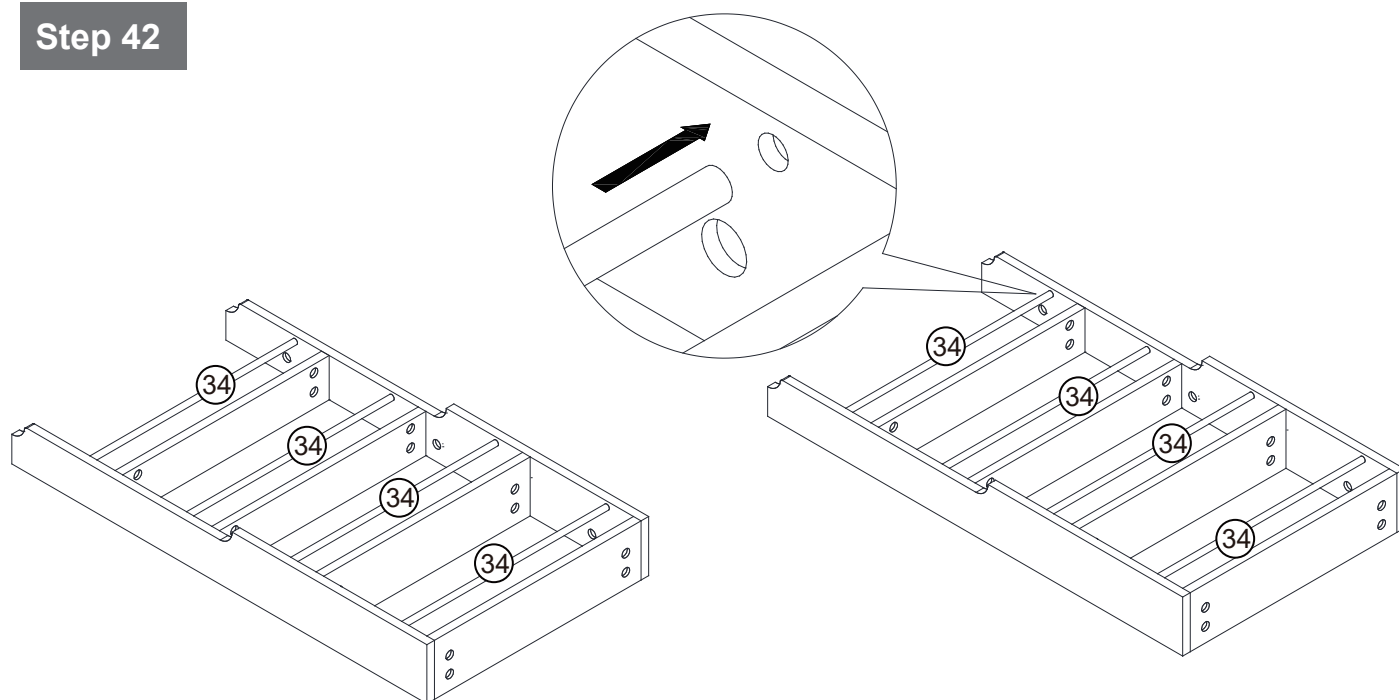


# Assembly Instructions

## Step 41

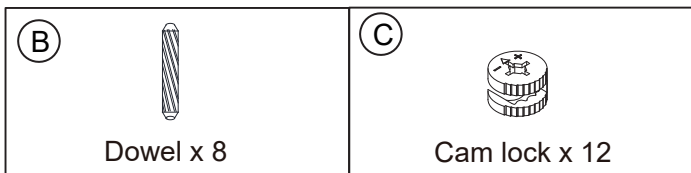
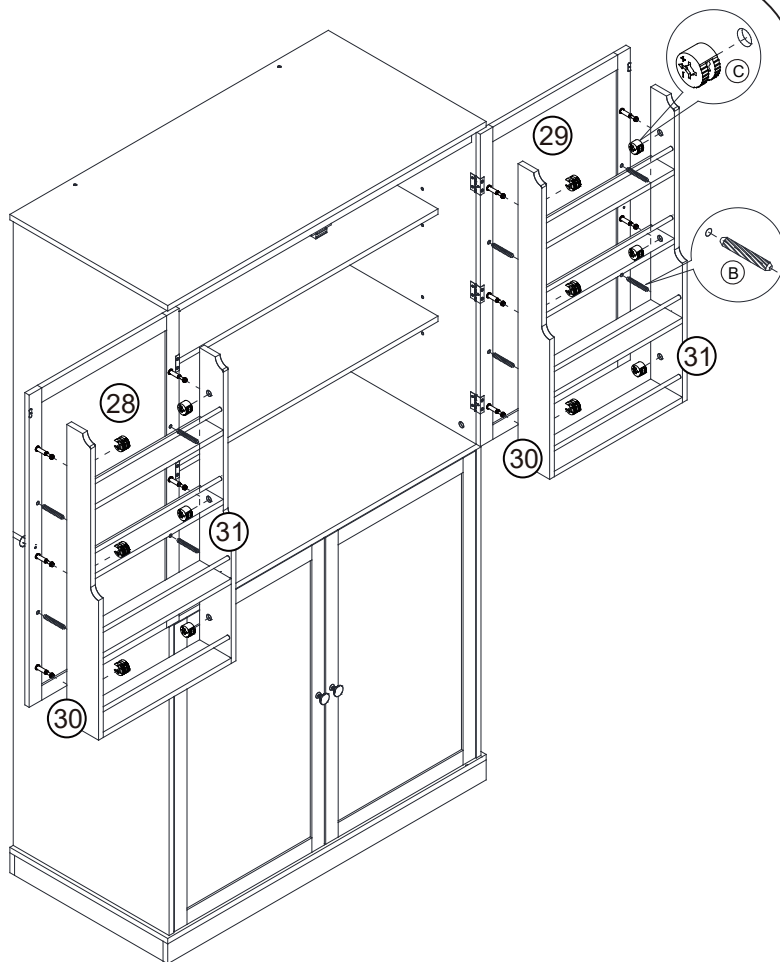


## Step 42



# Assembly Instructions

## Step 43



## Step 44

