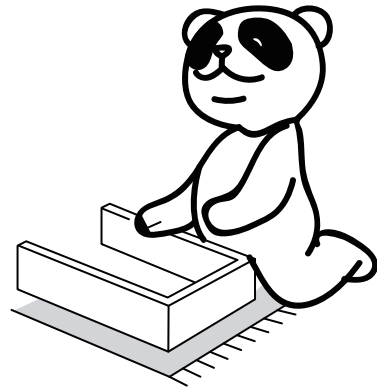
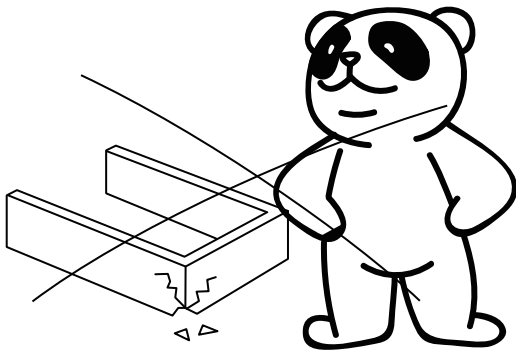
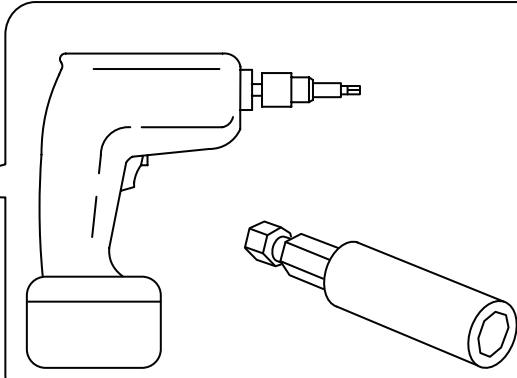


CAUTION: When tightening the screws, tighten sequentially.
Do not tighten any screws fully and then towards the next one.
When every part is OK, then tighten all the screws.

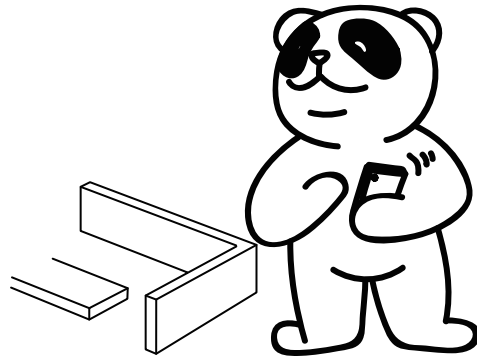
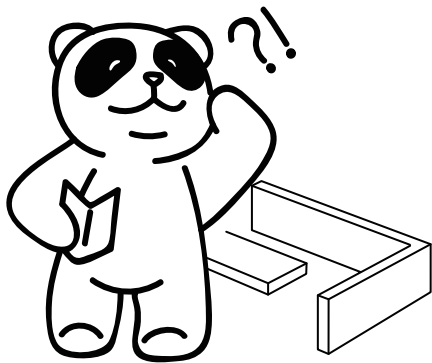
RL-R76T



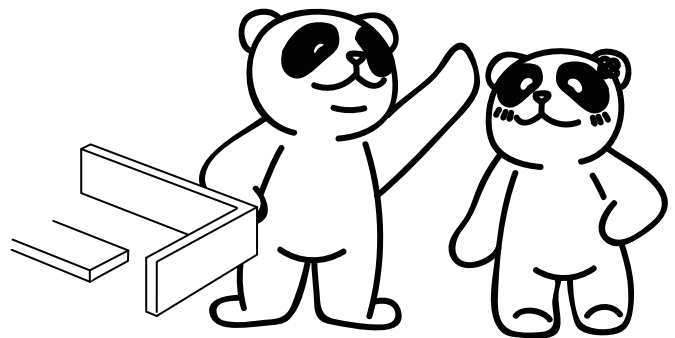
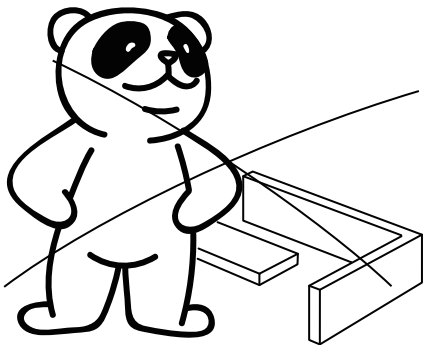
Version : 1.0



Violent installation is prohibited

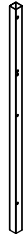


Please call if you need help



Multi-person cooperation is recommended

Assembly Instruction



1

x1



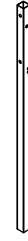
2

x1



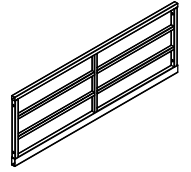
3

x1



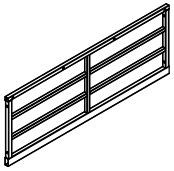
4

x1



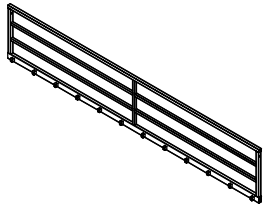
5

x1



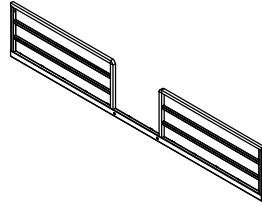
6

x1



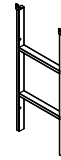
7

x1



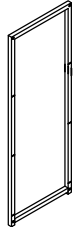
8

x1



9

x1



10

x2



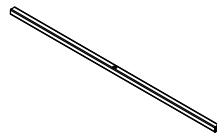
11

x2



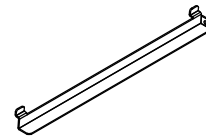
12

x4



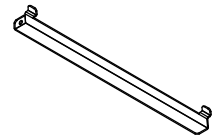
13

x8



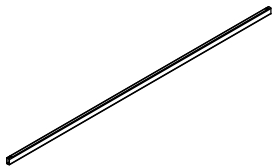
14

x12



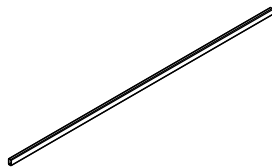
15

x12



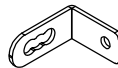
16

x8



17

x4



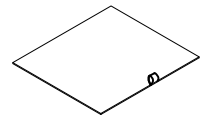
18

x2



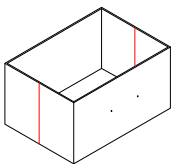
19

x8



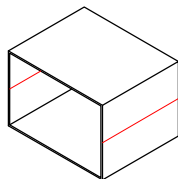
20

x8



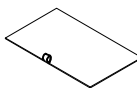
21

x8



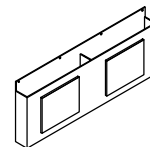
22

x4



23

x4







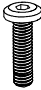







24

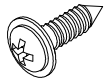
x1

Assembly Instruction

Hardware parts 1

									
A	B	C	D	E	F	G	H	I	J
M8*35	M6*30	M6*50	M8*55	M8*15	M6*15	M5*25	M6*30	M6*50	S10,S13
x12	x24	x4	x8	x4	x4	x8	x4	x2	x1
									
L	O								
x1	#4								
	x1								

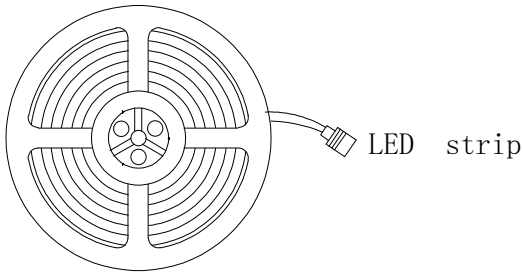
Hardware parts 2



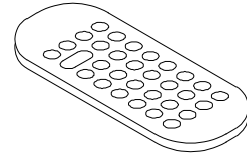
T
Ø4*10
x16

Assembly Instruction

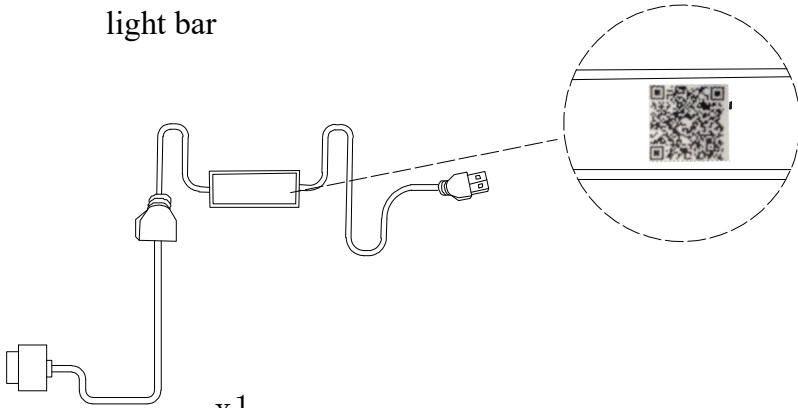
LED light strip electronic accessories list



x1
light bar

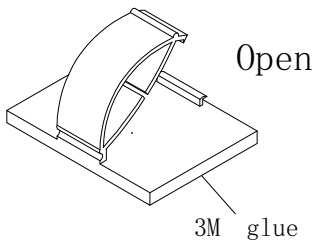


x1
Remote control



x1
Controller wire

There is a two-dimensional code at the position of the power line. Scanning can download the APP for the control light

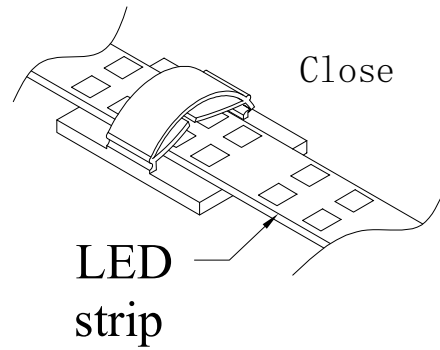


Open

3M glue

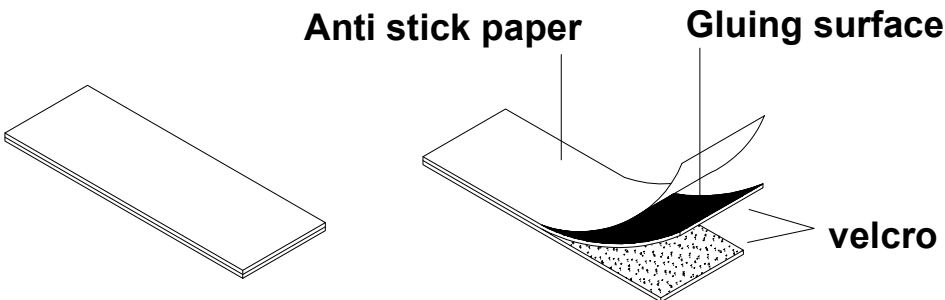
x5

LED strip with clips



Close

LED strip



Anti stick paper

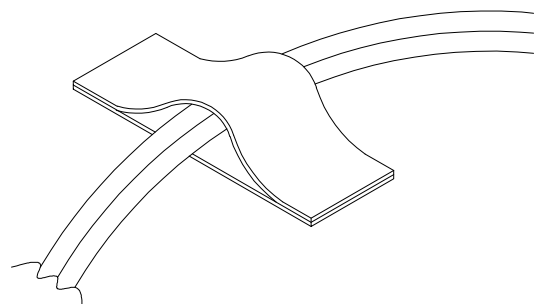
Gluing surface

velcro

x3

Thread embedding buckle

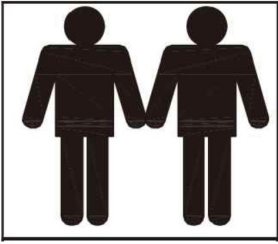
When the wires are disordered, tear off the anti stick paper, paste it on the place where the wires pass, and then bind the wires.



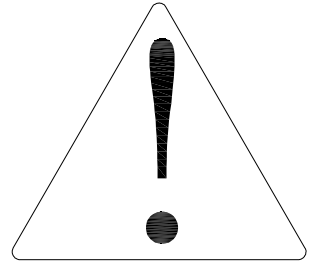
Assembly Instruction

Note:

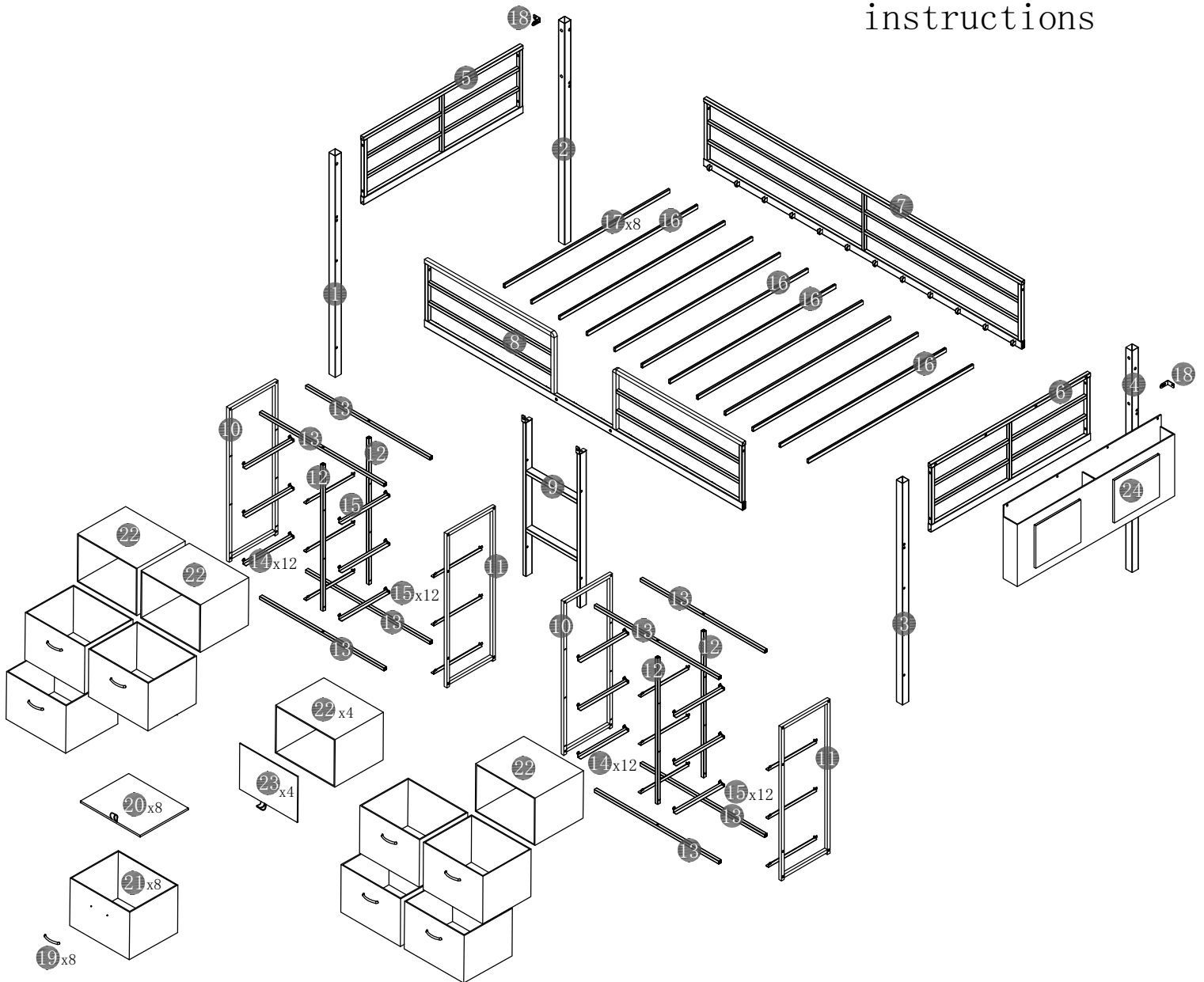
1. should be assembled on flat ground to keep balance.
2. Before completing the installation, do not tighten the screws.



It needs at least two people to install.



Before starting the assembly, you must read the whole manual and follow the instructions




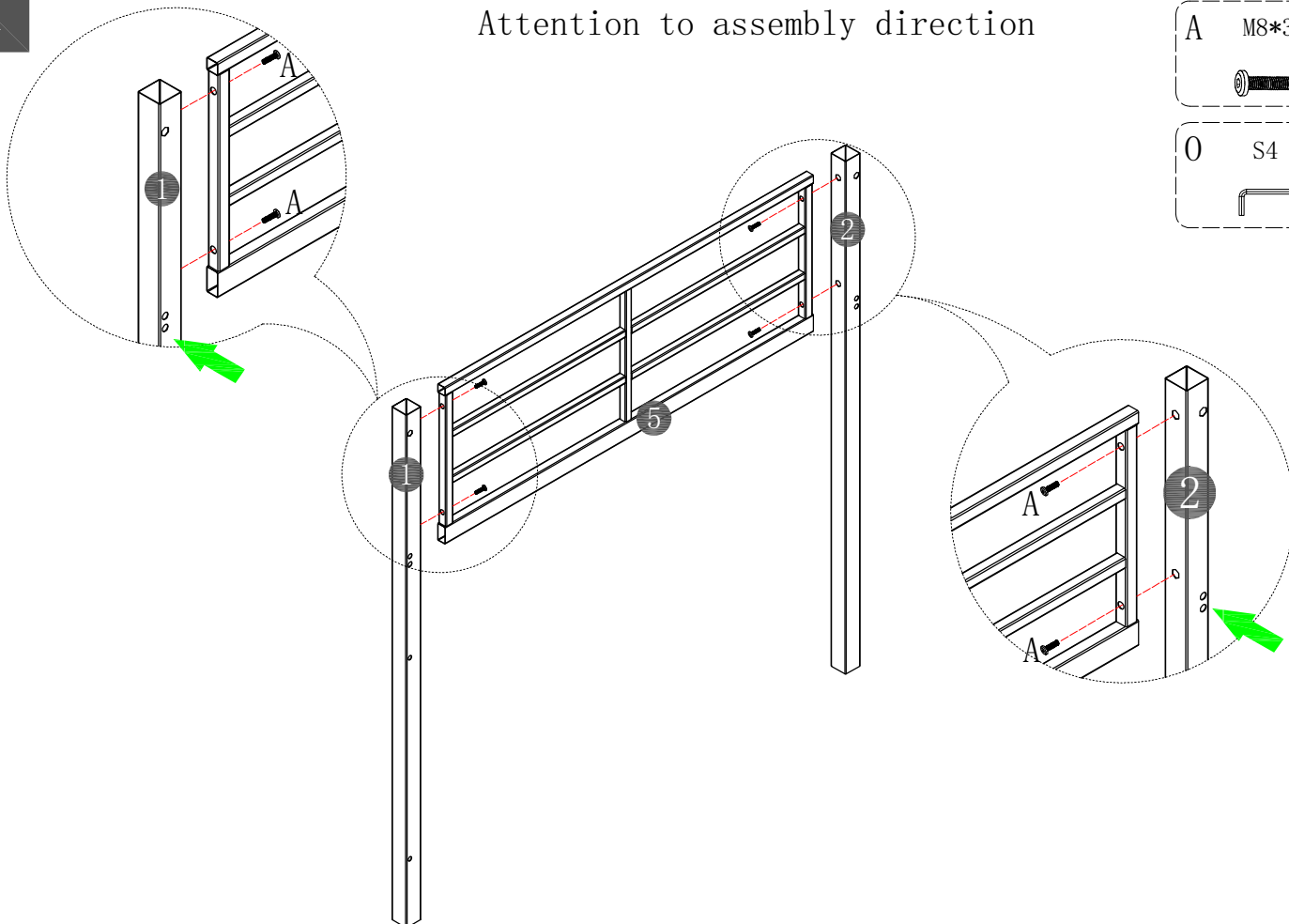
Assembly Instruction

1


Attention to assembly direction


A M8*35
 x4

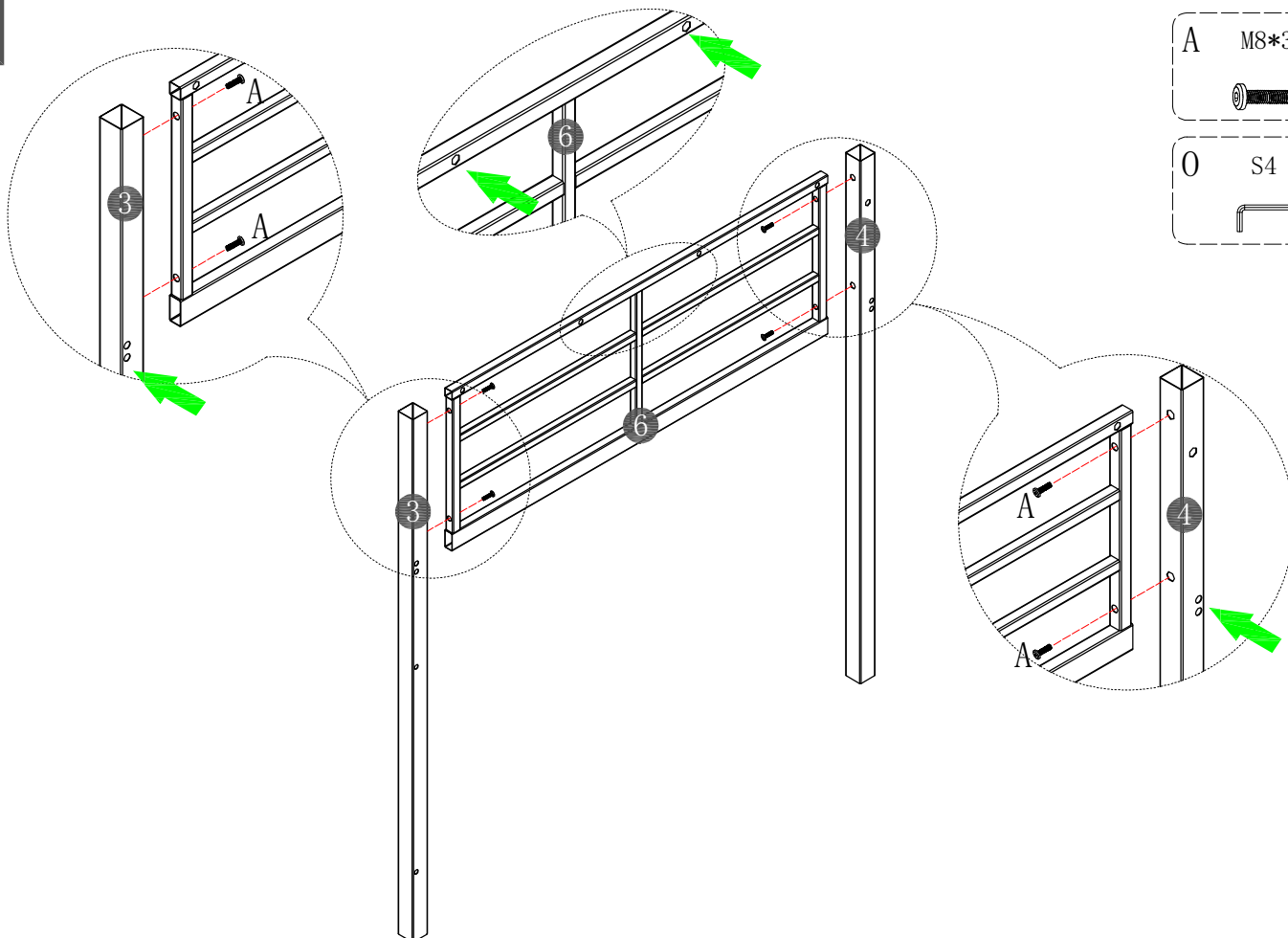
O S4
 x1



2

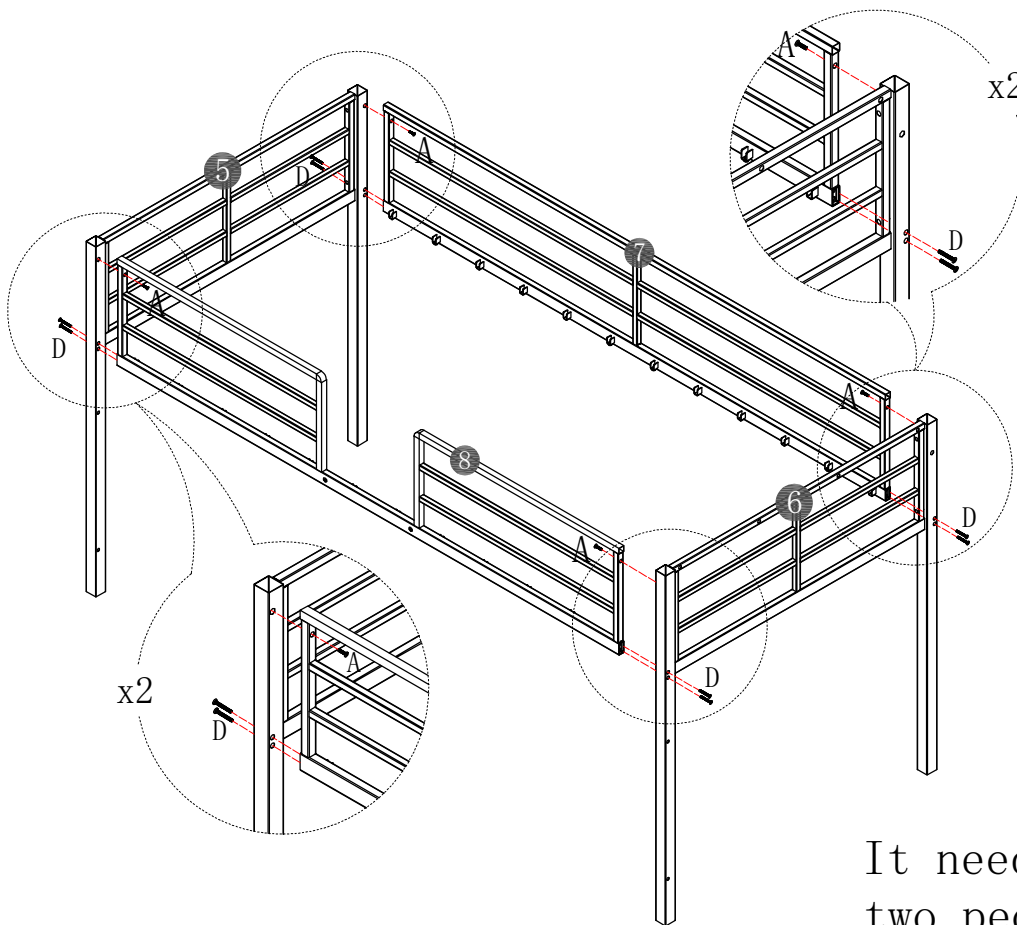
A M8*35
 x4

O S4
 x1



Assembly Instruction

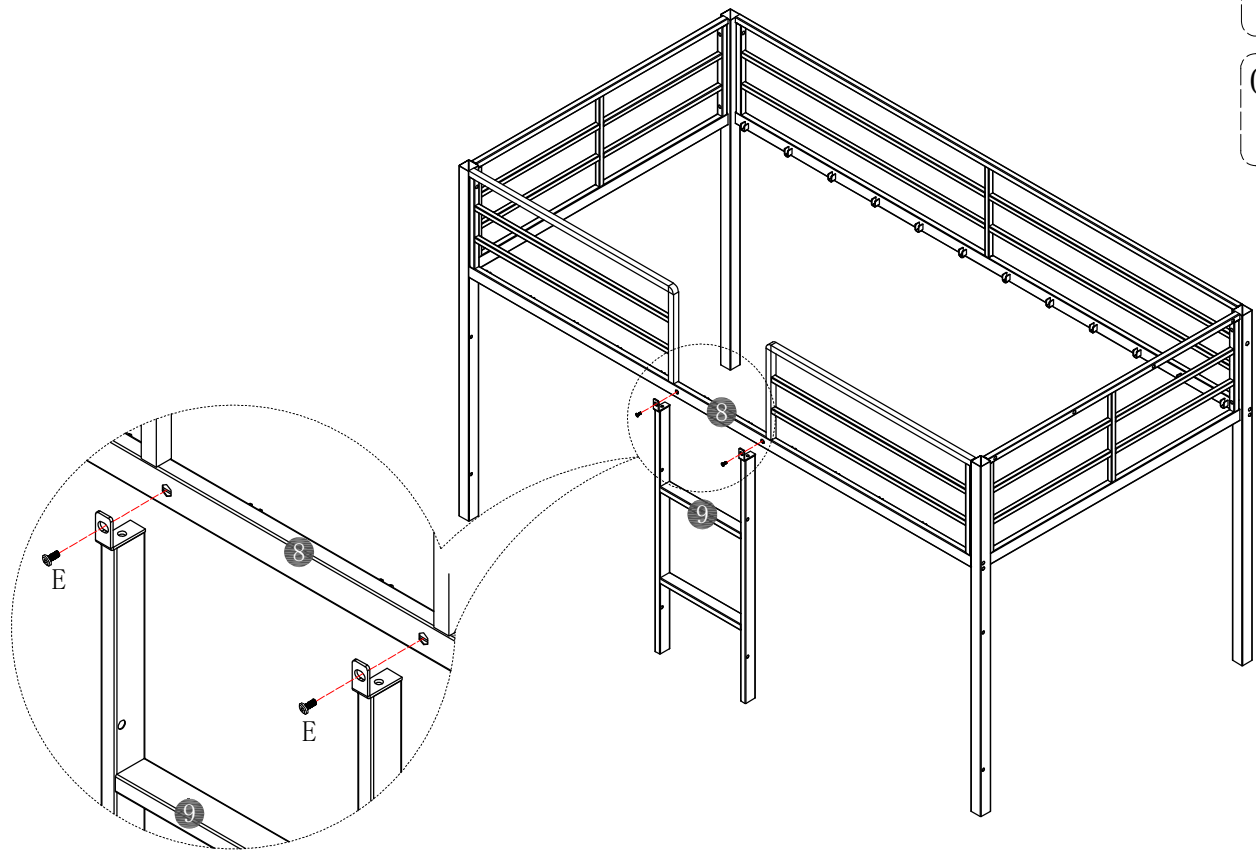
3



- D M8*55
x8
- A M8*35
x4
- O S4
x1

It needs at least two people to install.

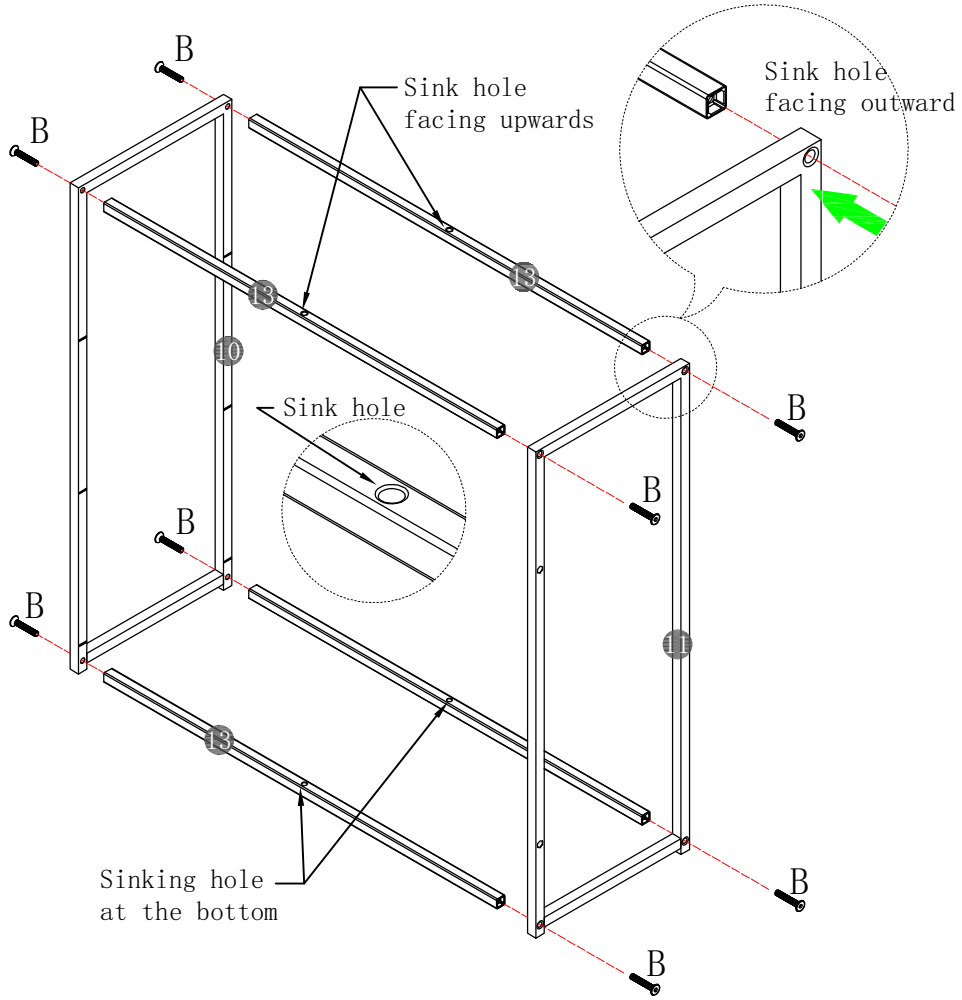
4



- E M8*15
x2
- O S4
x1

Assembly Instruction

5

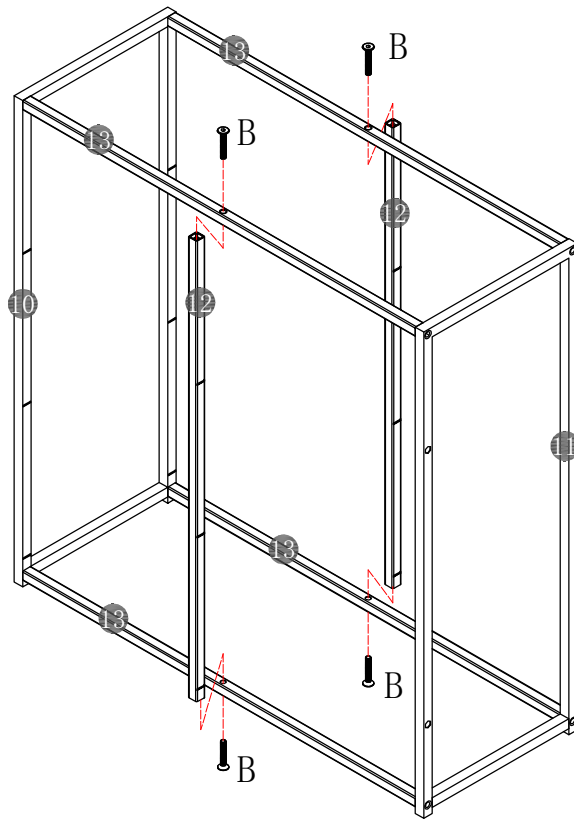


B M6*30
x16

0 S4
x1

x2

6



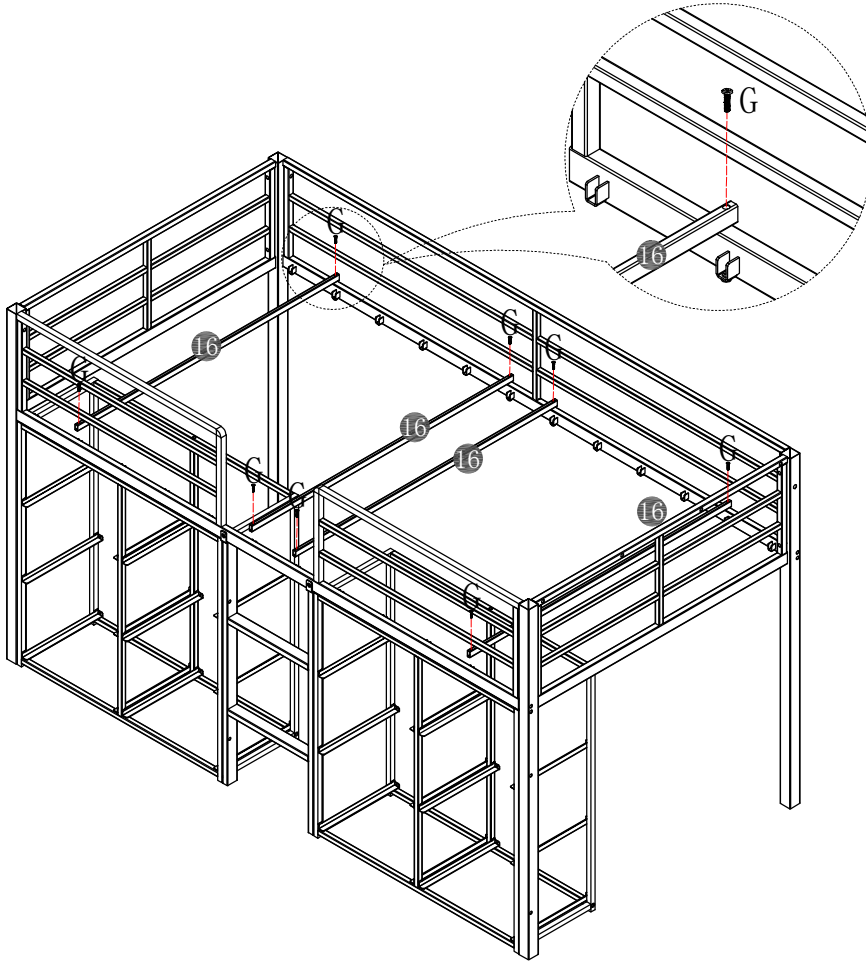
B M6*30
x8

0 S4
x1

x2

Assembly Instruction

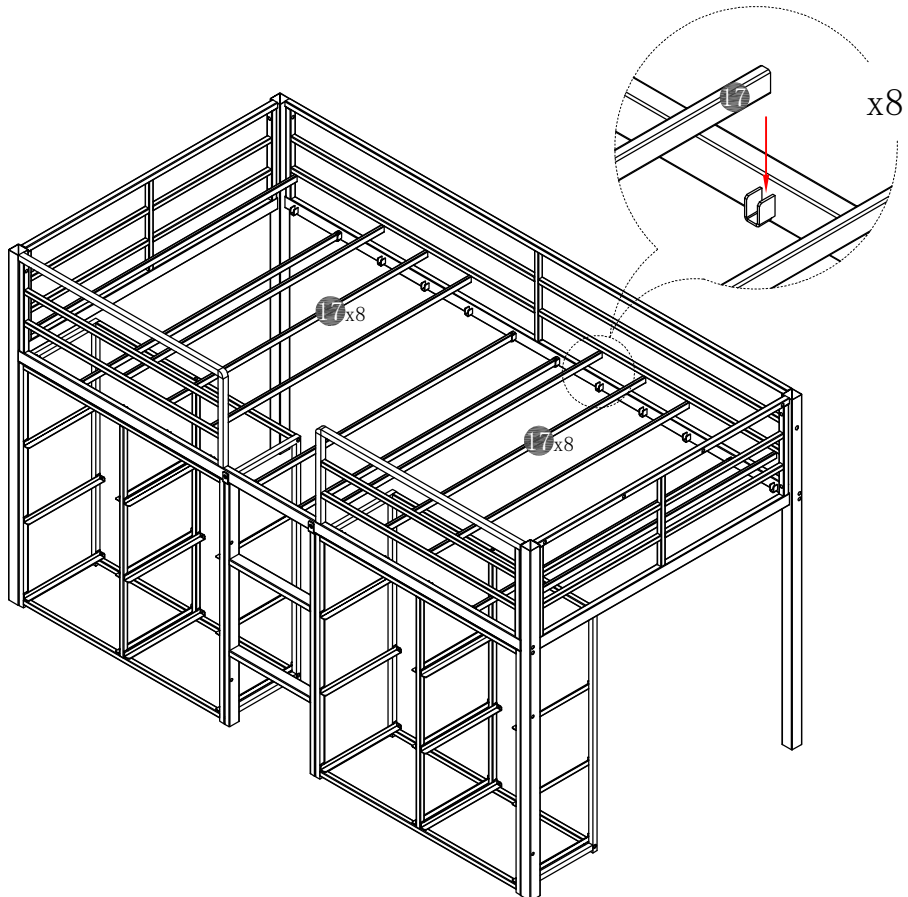
9



G M5*25
x8

O S4
x1

10



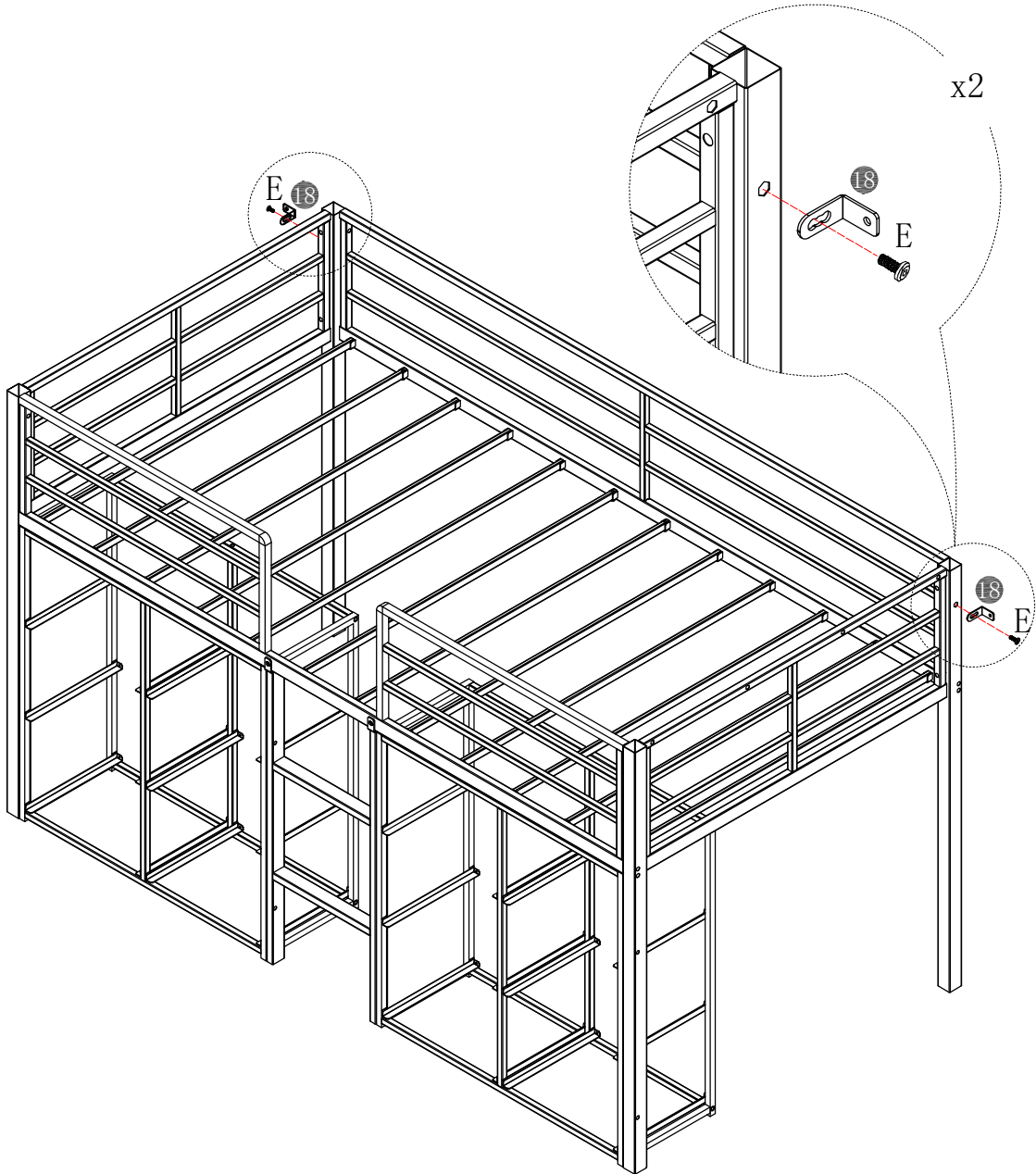
x8

Assembly Instruction

11

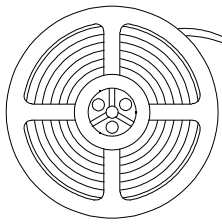
E M8*15
x2

0 S4
x1



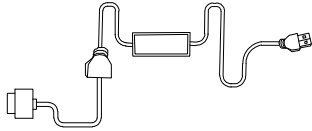
Assembly Instruction

12

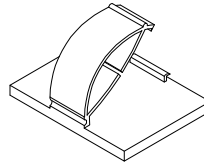


light bar

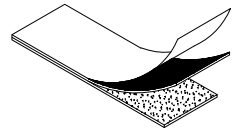
LED strip



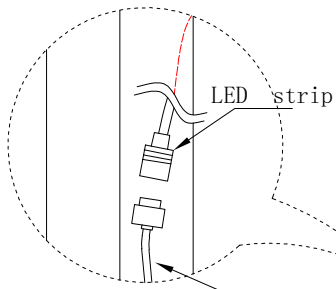
Controller wire



LED strip with clips

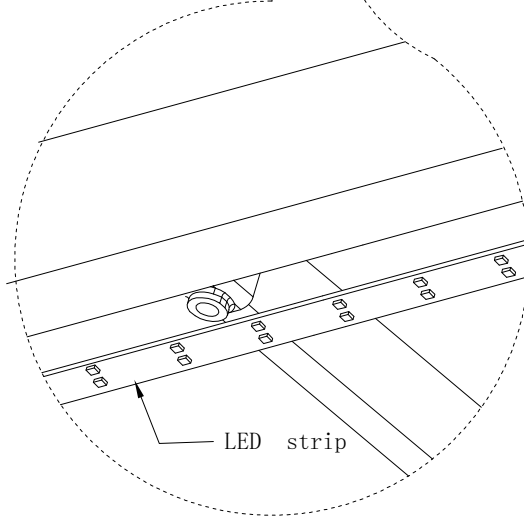
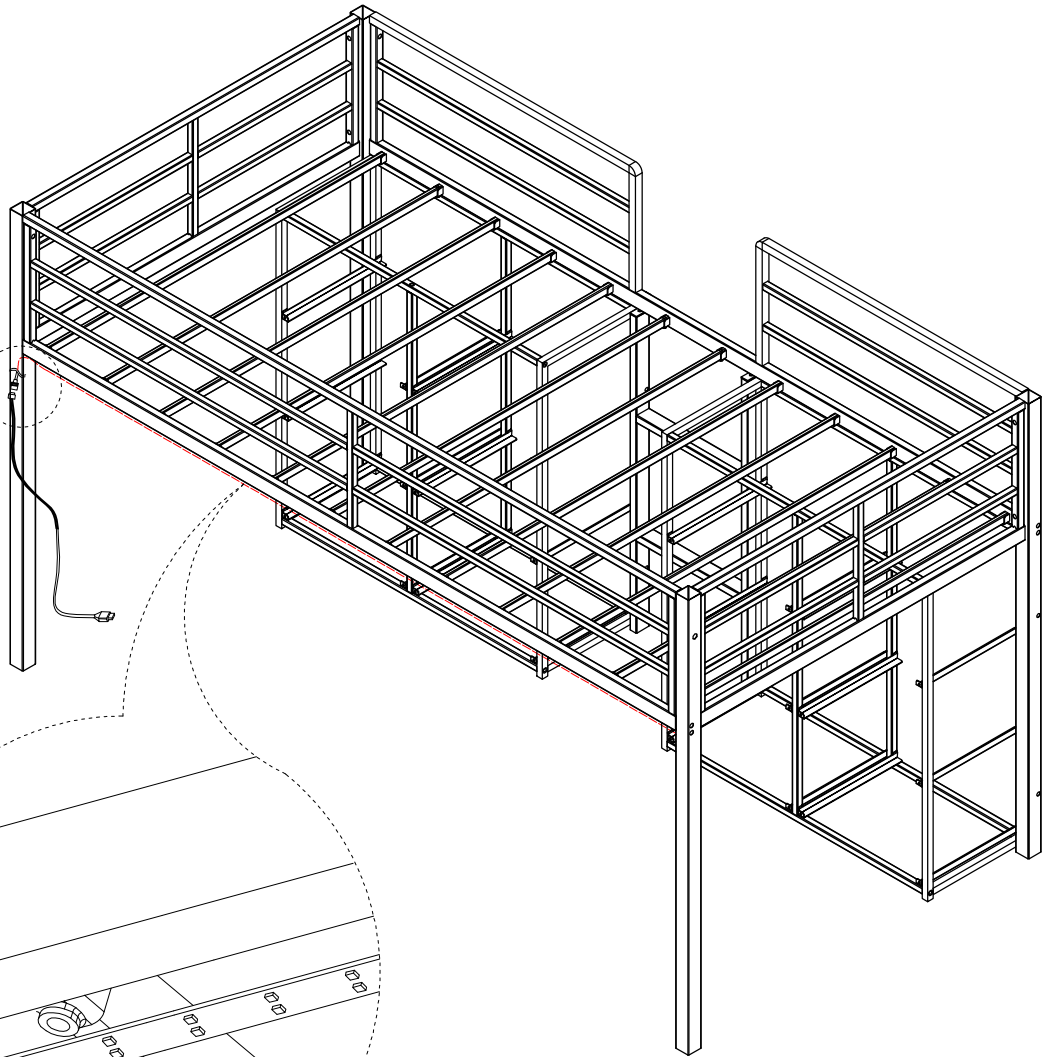


Thread embedding buckle



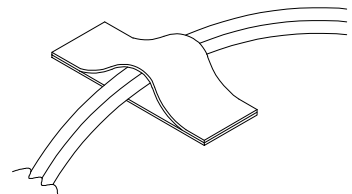
LED strip

Controller wire



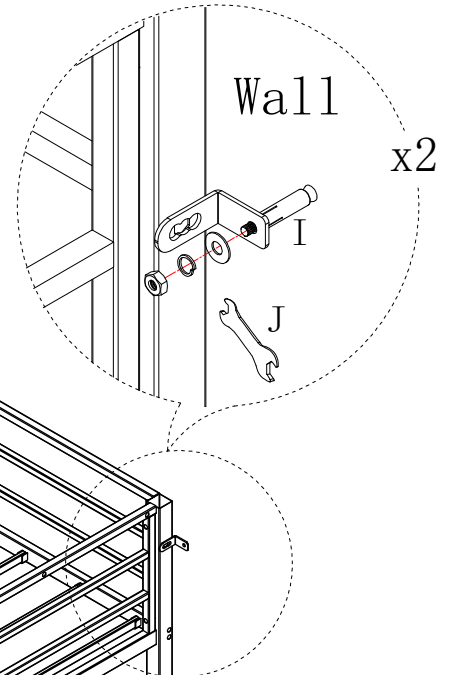
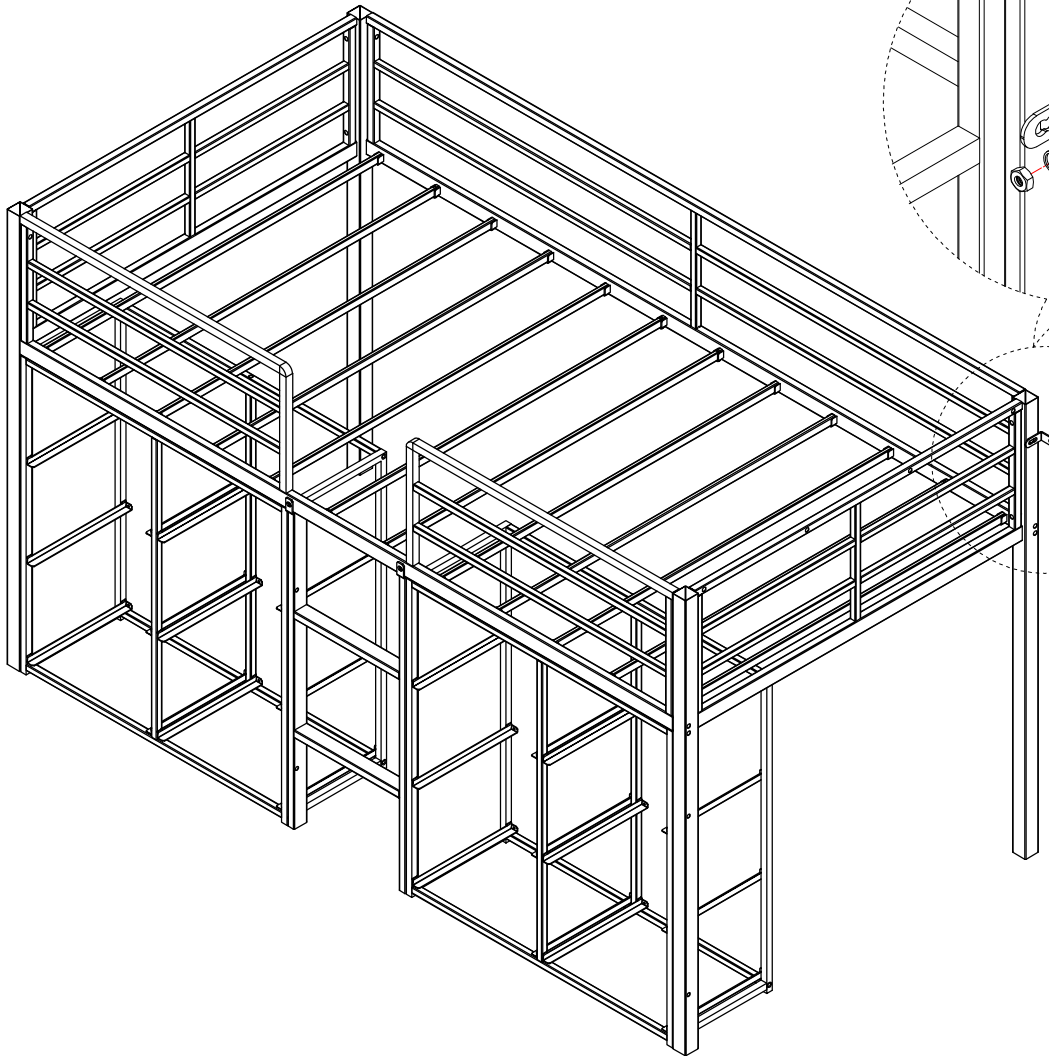
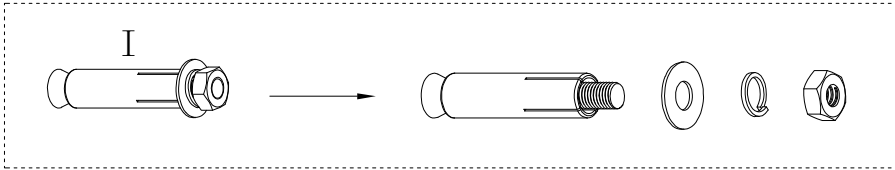
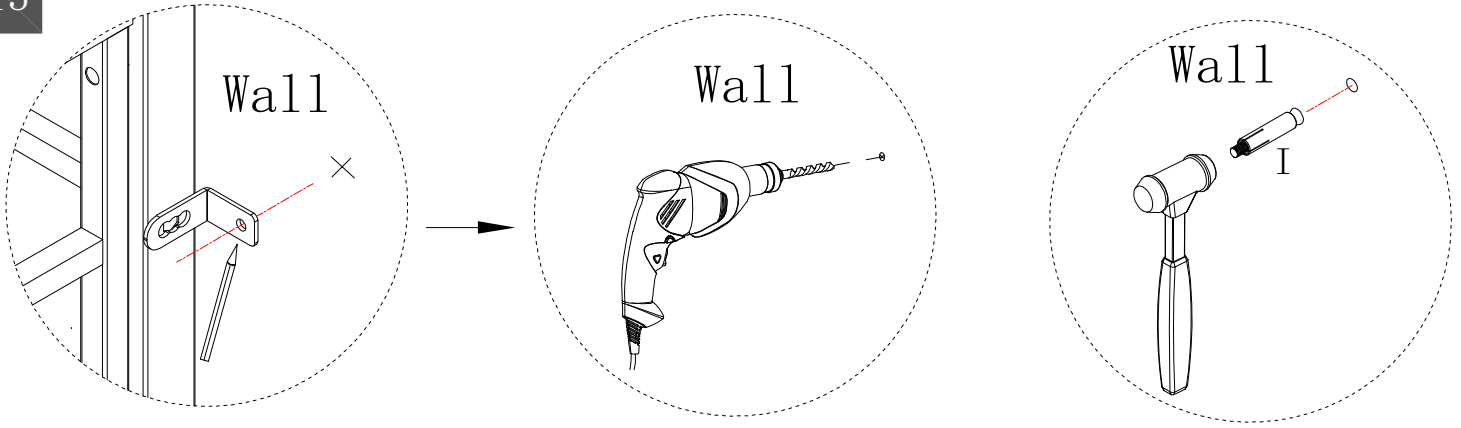
LED strip

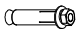

When the wires are disordered, tear off the anti stick paper, paste it on the place where the wires pass, and then bind the wires.



Assembly Instruction

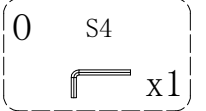
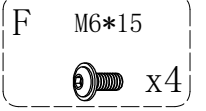
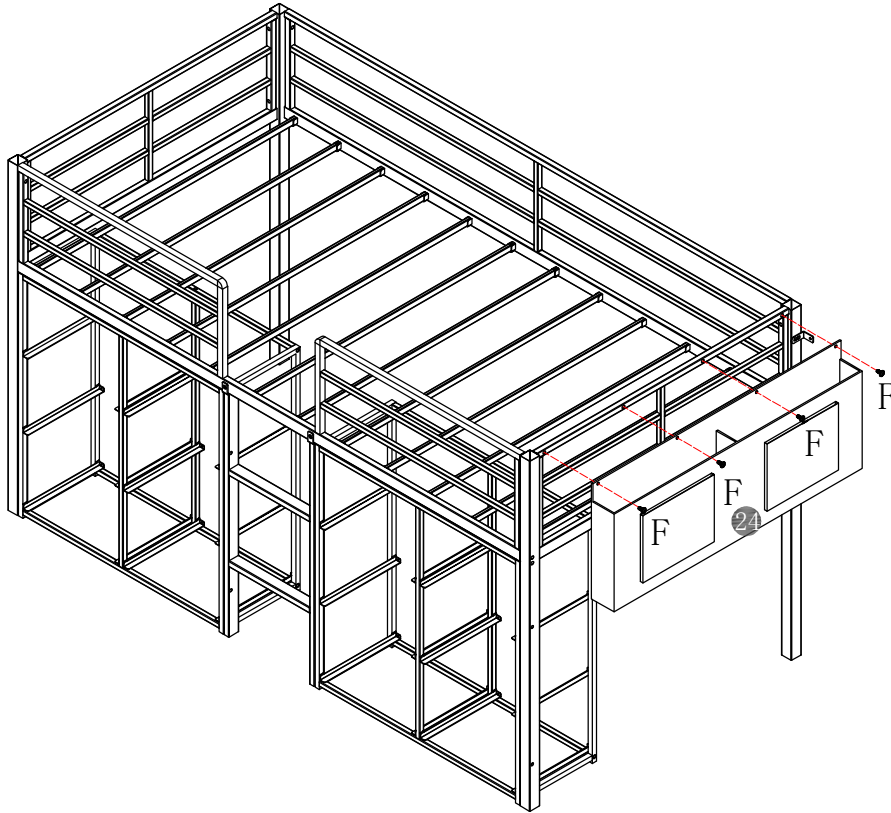
13



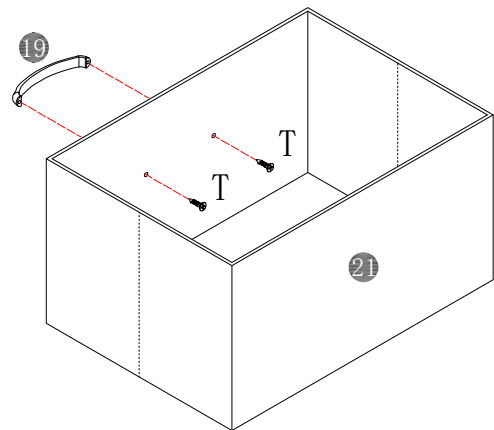
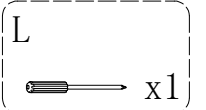
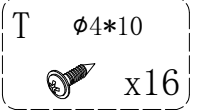
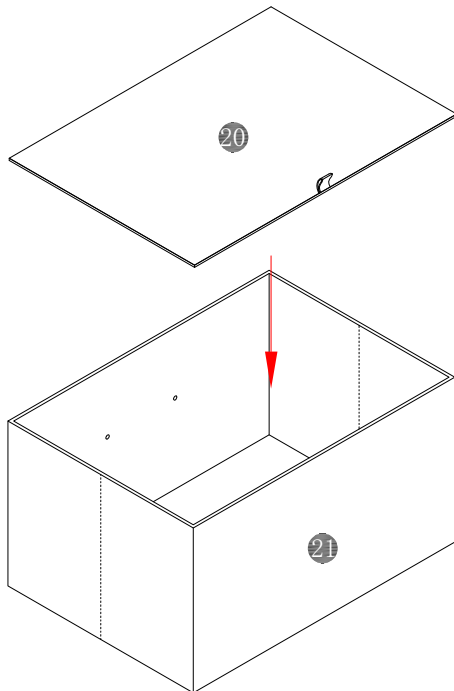
- I M6*50
 x2
- J S10,S13
 x1

Assembly Instruction

14



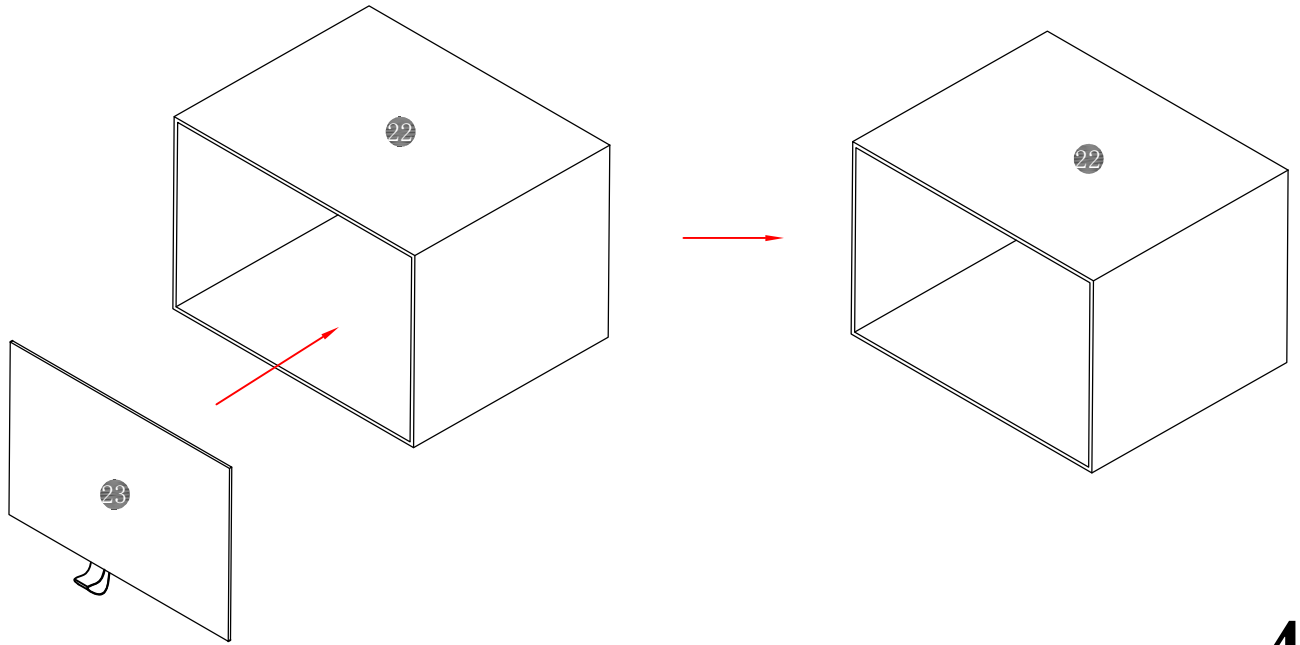
15



x8

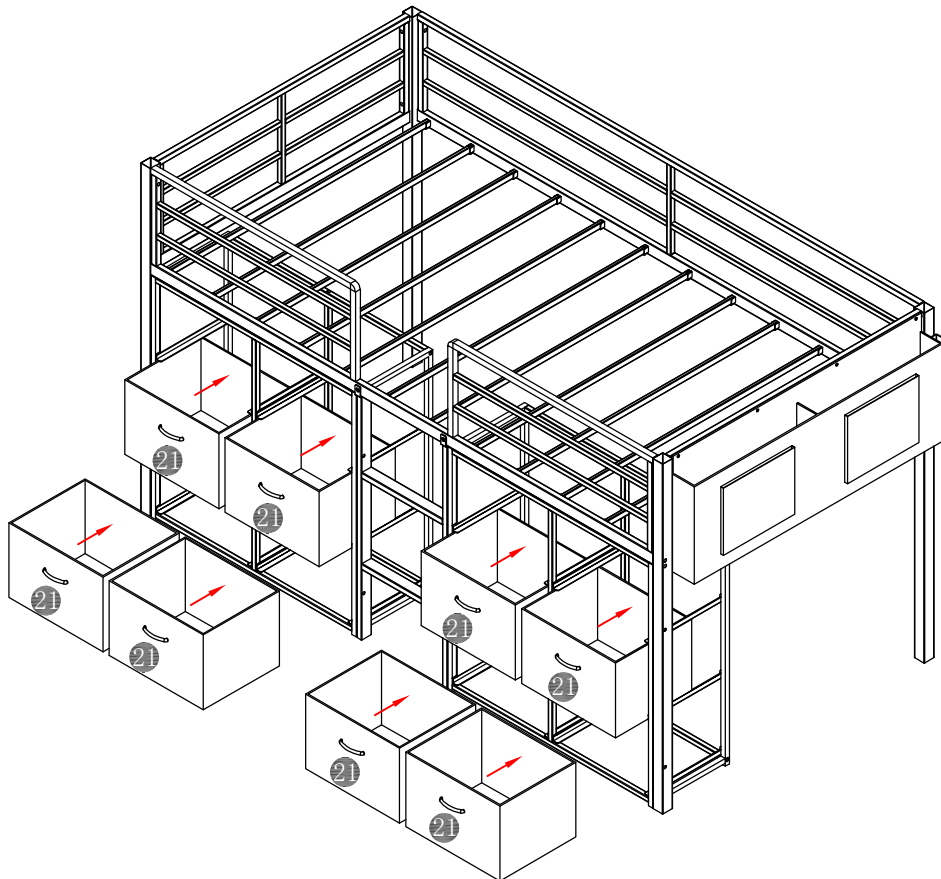
Assembly Instruction

16



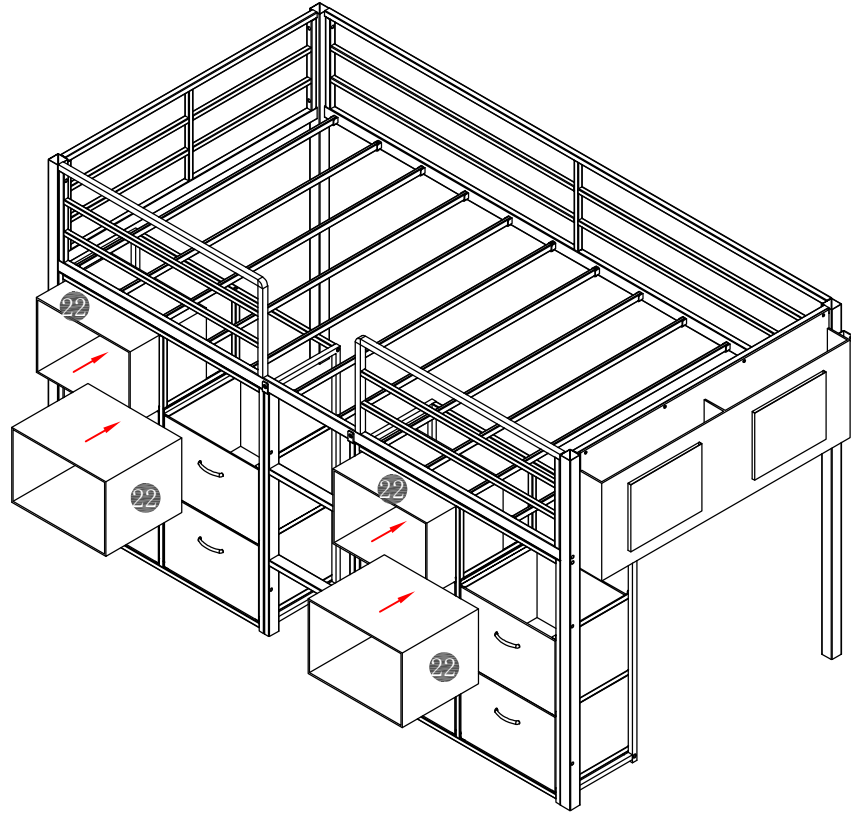
x4

17



Assembly Instruction

18



19

