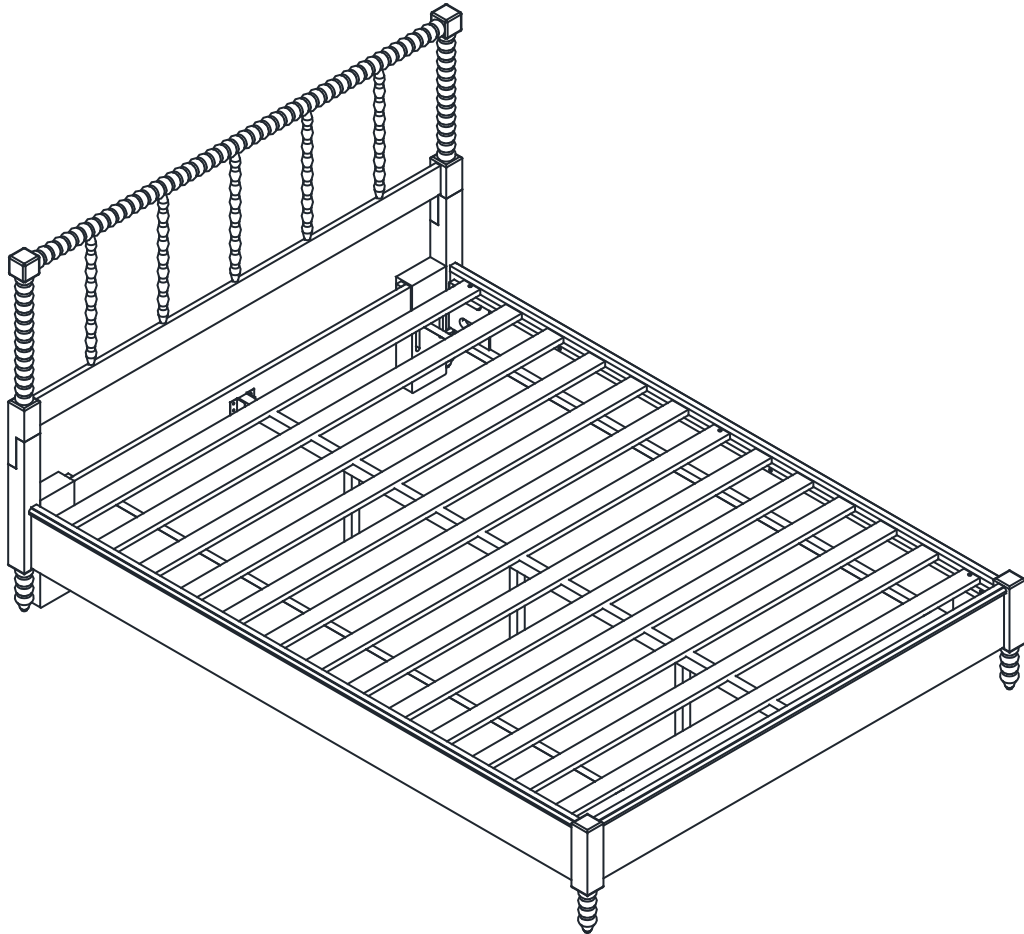
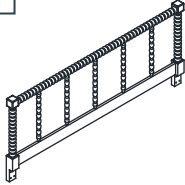
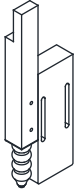
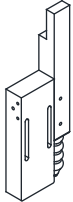
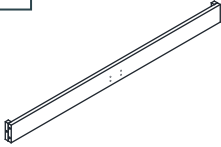
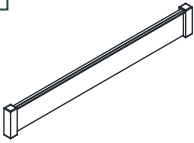
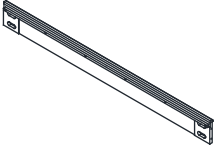
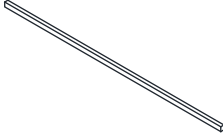

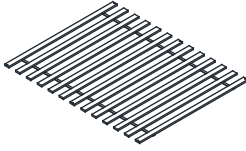



Queen Bed

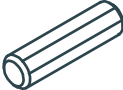
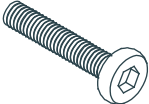
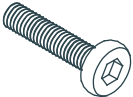



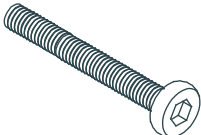

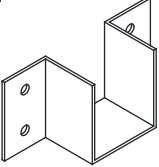
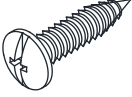
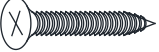


PART LIST

A 	B 	C 	D 	E 
Headboard 1 PC	Left Post 1 PC	Right Post 1 PC	Crossbar 1 PC	Footboard 1 PC
F 	G 	H 	I 	J 
Side Rail 2 PCS	Center Rail 1 PC	Support Leg 3 PCS	Slats 1 SET	Footboard Leg 2 PCS

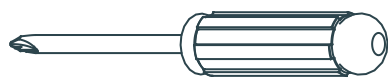
Please note headboard, left post, right post and crossbar will ship separately.

HARDWARE LIST

 Ø8mm*1-1/8"	 Ø1/4"*2"	 Ø1/4"*1-3/8"		
Wood Dowel 4 PCS (Extra 1)	Medium Bolt 8 PCS (Extra 1)	Short Bolt 2 PCS (Extra 1)	Spring Washer 10 PCS (Extra 1)	Flat Washer 10 PCS (Extra 1)
 4mm	 Ø1/4"*3"			 4mm
Allen Wrench 1 PC	Long Bolt 8 PCS (Extra 1)	Crescent Washer 8 PCS (Extra 1)	U-Shape Bracket 2 PCS	Short Screw 8 PCS (Extra 1)
 #8*30mm	Please note hardware #1, #2, #3, #4, #5, #6 are shipped in the headboard package.			
Long Screw 6 PCS (Extra 1)				

ADDITIONAL TOOLS (Not Provided)

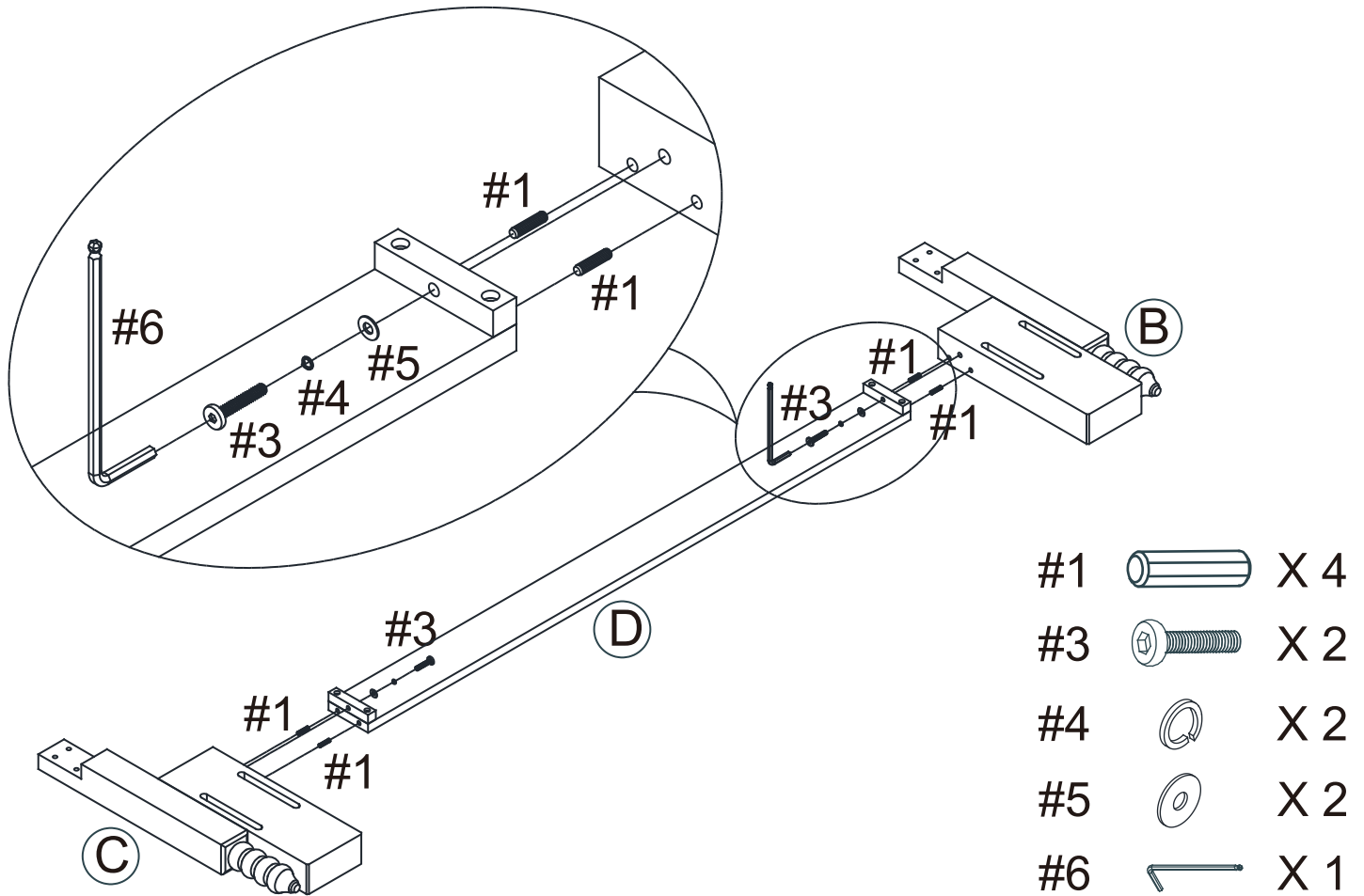
Note: It is not recommended to use power tools during assembly.



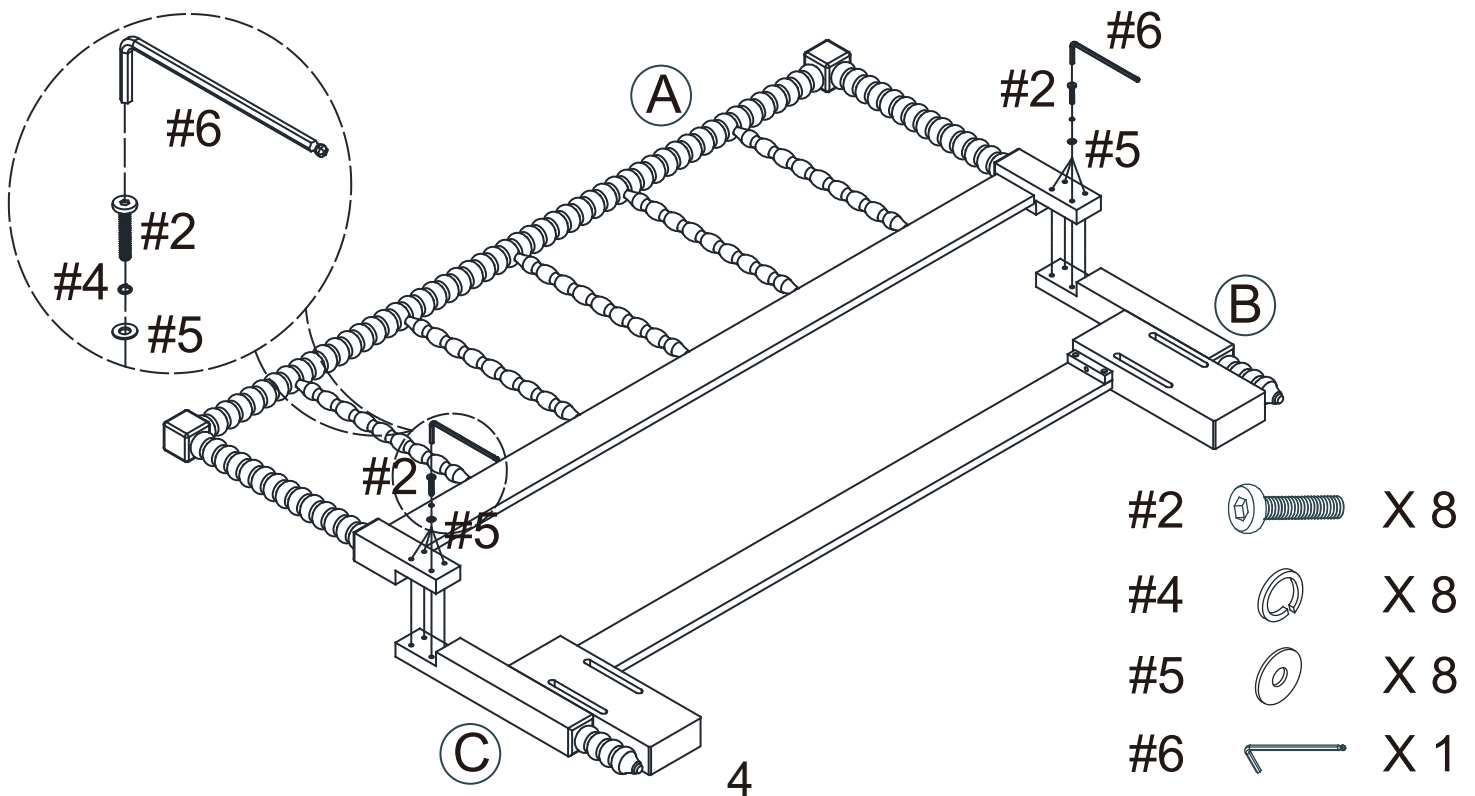
Phillips Head Screwdriver

Note: Wood dowels are intended for alignment. Additional clearance between wood dowel and pre-drilled hole is intentional for ease of assembly.

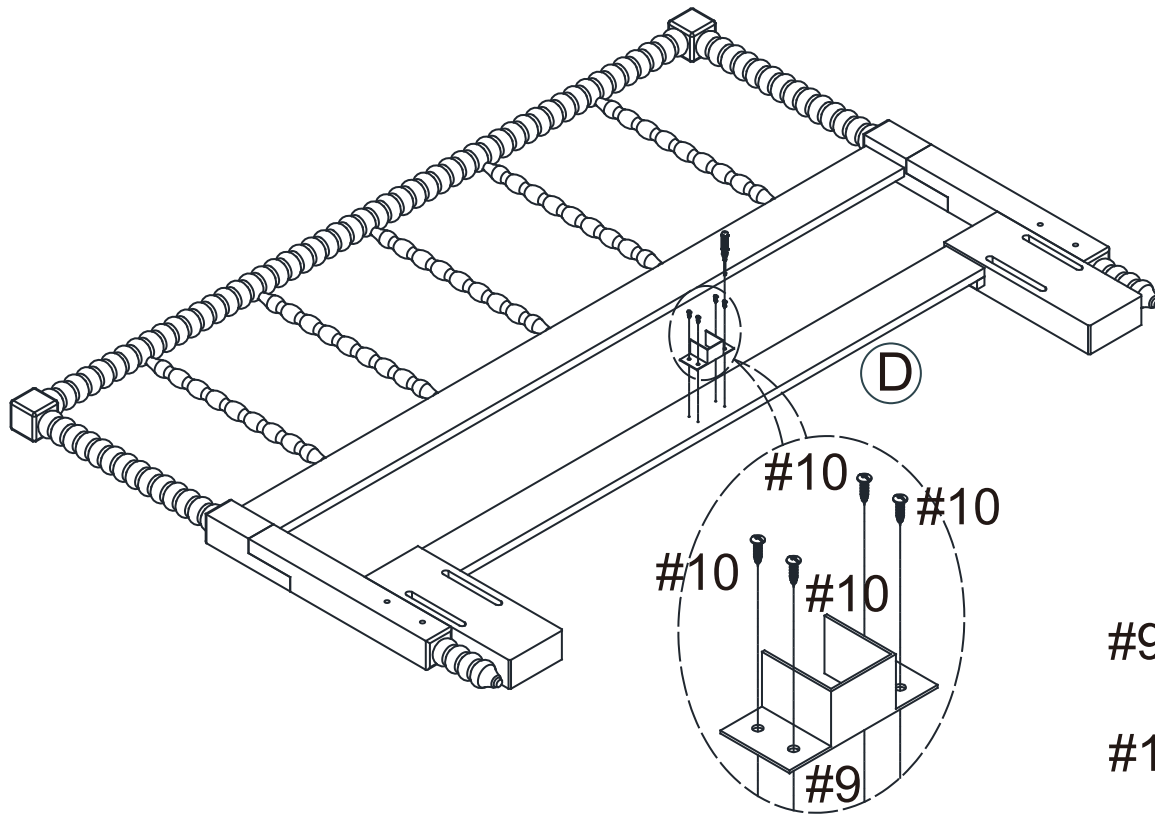
Step 1. Attach left post (part B) and right post (part C) to crossbar (part D) using wood dowels (part #1), short bolts (part #3), spring washers (part #4), flat washers (part #5) and allen wrench (part #6).





Step 2. Attach left post (part B) and right post (part C) to headboard (part A) using medium bolts (part #2), spring washers (part #4), flat washers (part #5) and allen wrench (part #6).

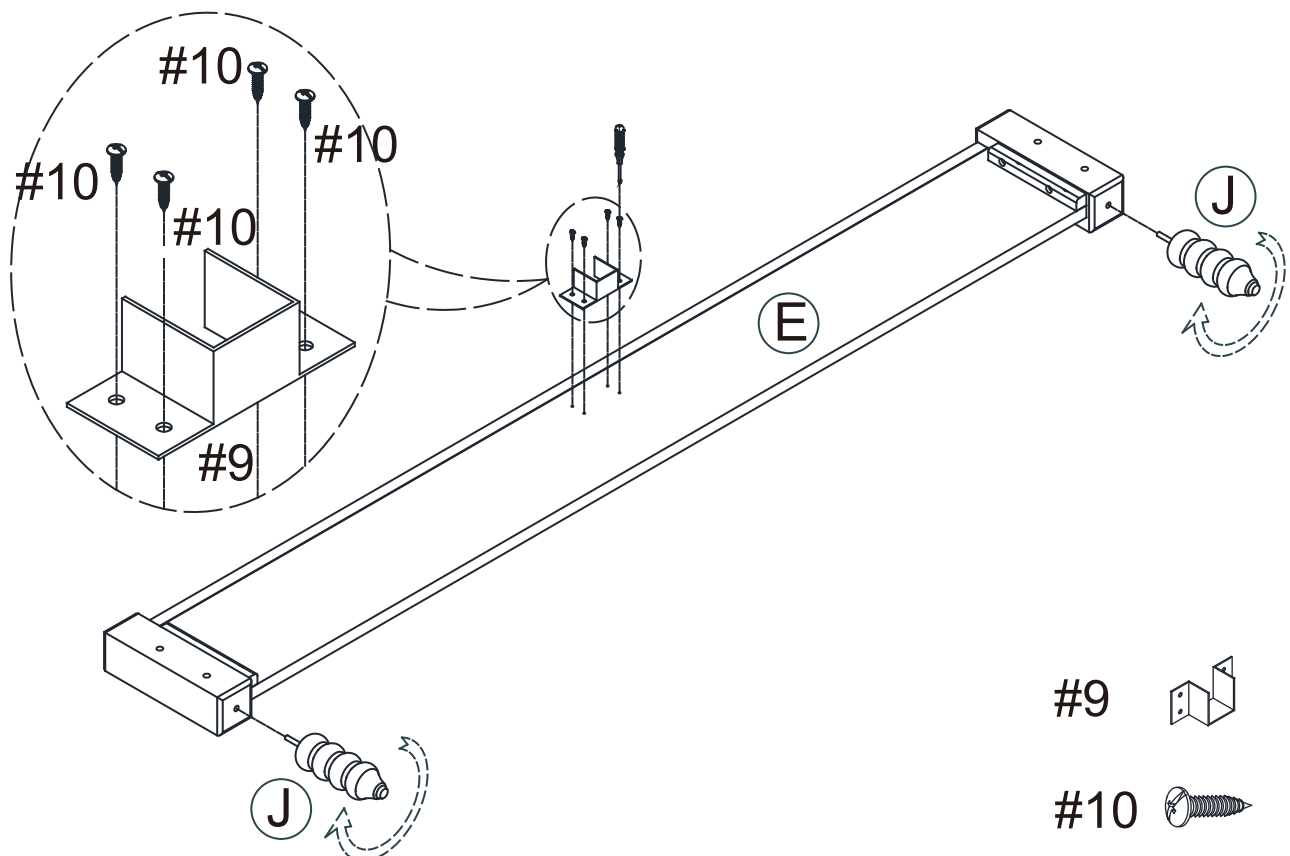




Step 3. Attach u-shape bracket (part #9) to crossbar (part D) using short screws (part #10) and phillips head screwdriver.



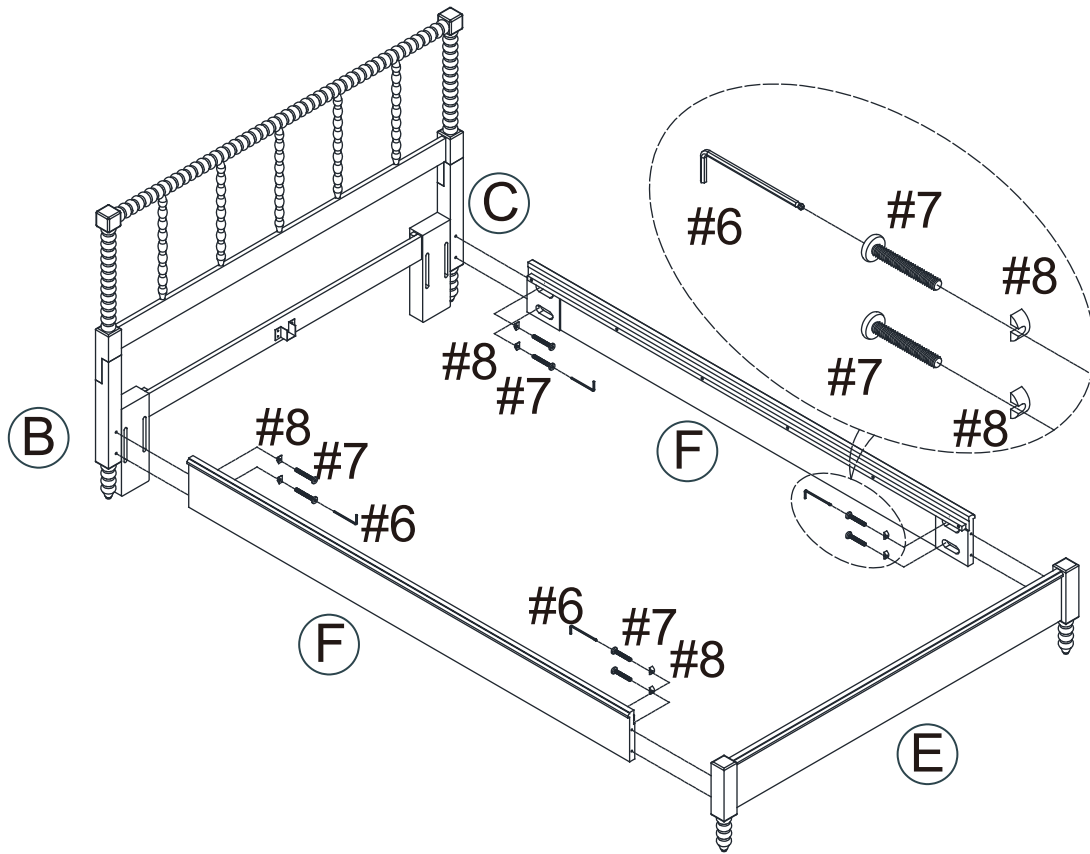
- | | | |
|-----|---|-----|
| #9 |  | X 1 |
| #10 |  | X 4 |


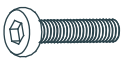

Step 4. Attach footboard legs (part J) to footboard (part E). Attach u-shape bracket (part #9) to footboard (part E) using short screws (part #10) and phillips head screwdriver.



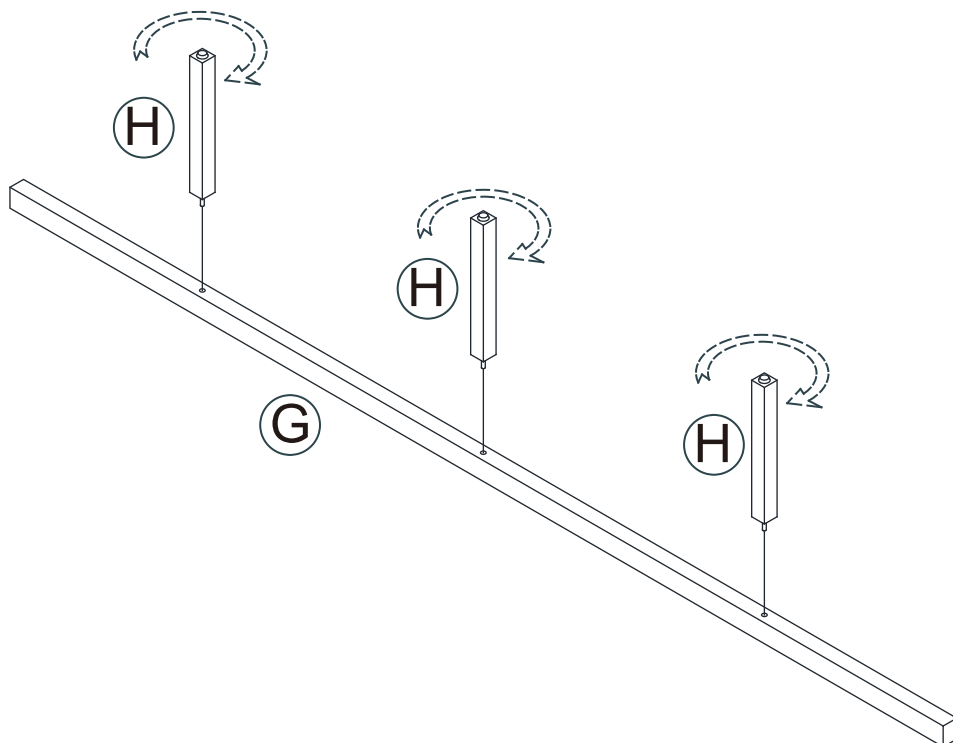
- | | | |
|-----|---|-----|
| #9 |  | X 1 |
| #10 |  | X 4 |

Step 5. Attach side rails (part F) to left post (part B), right post (part C) and footboard (part E) using long bolts (part #7), crescent washers (part #8) and allen wrench (part #6).

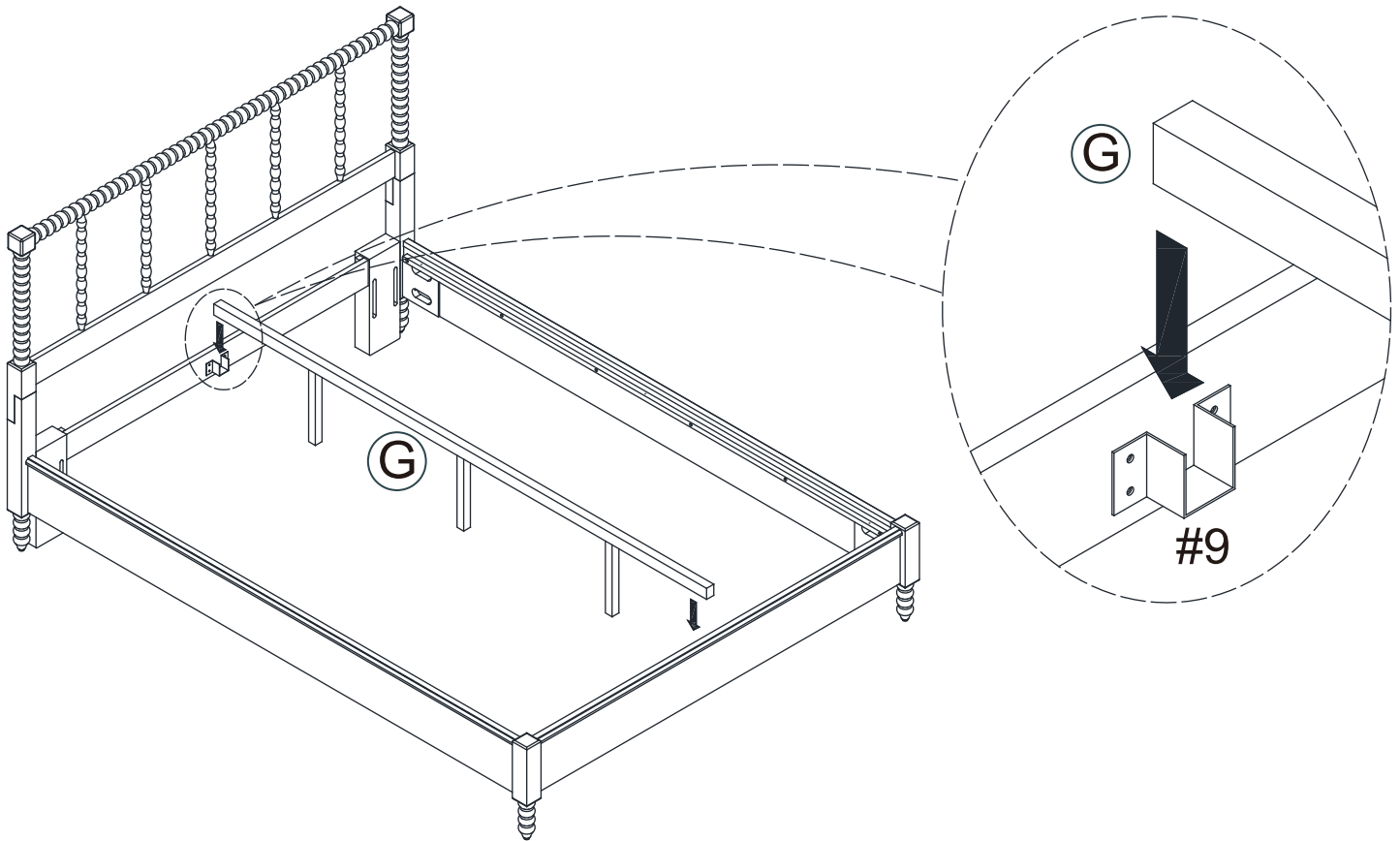


- | | | |
|----|---|-----|
| #6 |  | X 1 |
| #7 |  | X 8 |
| #8 |  | X 8 |

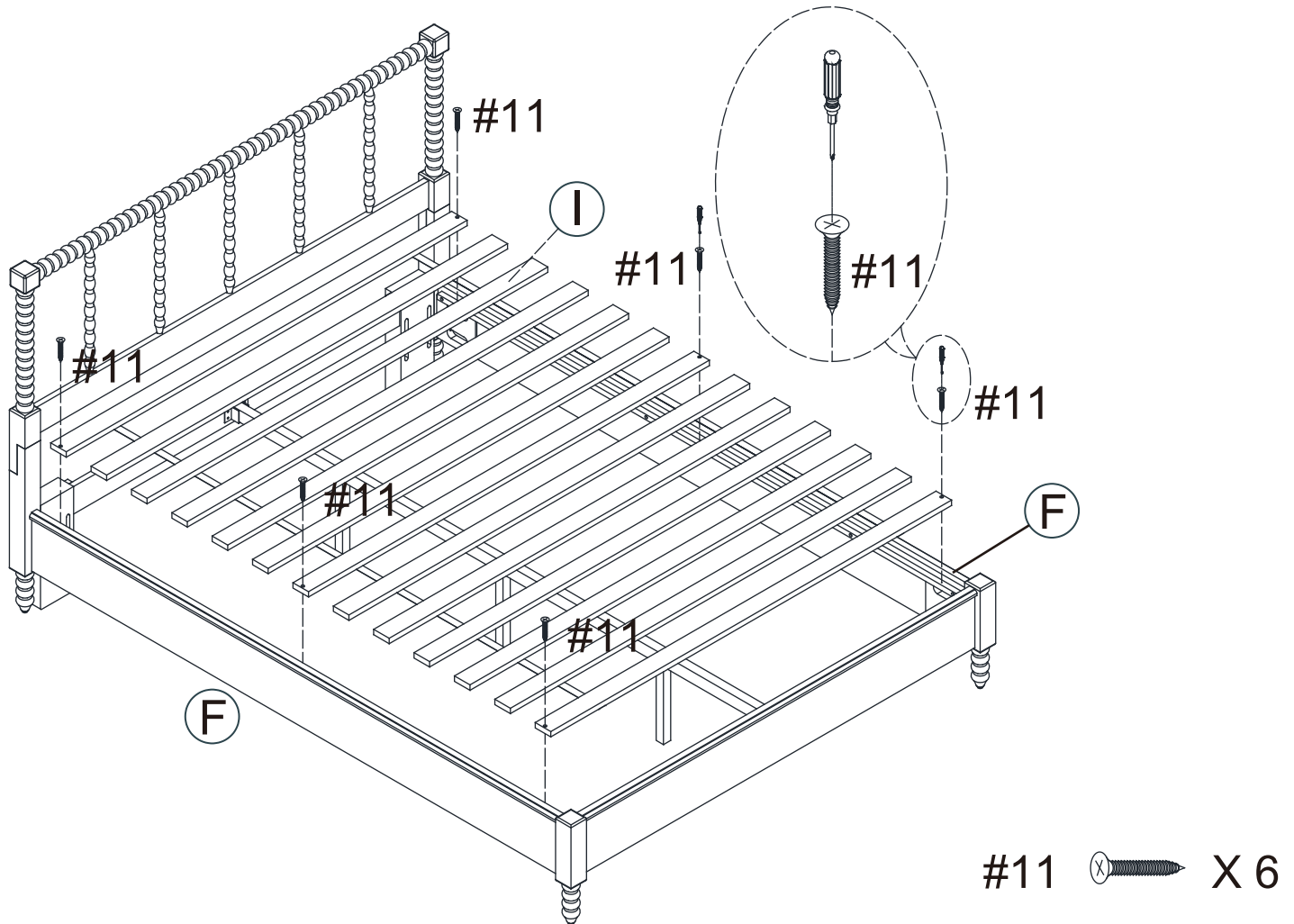
Step 6. Attach support legs (part H) to center rail (part G).




Step 7. Attach center rail (part G) to u-shape brackets (part #9).



Step 8. Attach slats (part I) to side rails (part F) using long screws (part #11) and phillips head screwdriver.



#11  X 6