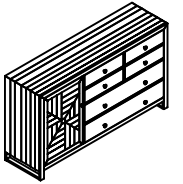


ASSEMBLY INSTRUCTIONS


DRESSER



Read instruction carefully prior for assembly


Thank you for purchasing this quality product. check carefully for small parts which may have come loose during shipment. Remove all components from pack and place on soft surface to prevent scratching the finish during assembly. Identify and count all parts as specified below.

Hardware List

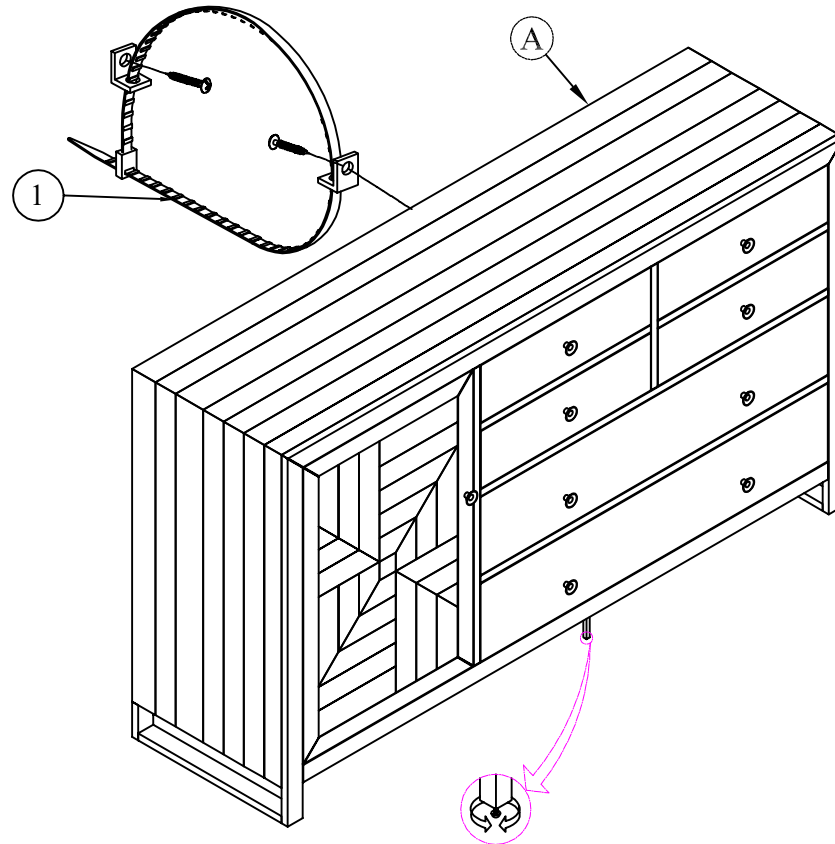
No.	Item	Picture	Q'ty
1	Tipping Restraint		1

WARNING: ALWAYS USE ANTI-TIPPING HARDWARE. ATTACH ONE SIDE TO TOP BACK RAIL OF CASE AND THE OTHER SIDE TO WALL STUD OTHER SOLID OBJECT TO PREVENT SERIOUS INJURY OR DEATH.

Part List

No.	Item	Picture	Q'ty
A	Dresser		1

STEP 1



Attach Tipping Restraint (1) with Dresser (A) and wall
Adjust leveler if needed