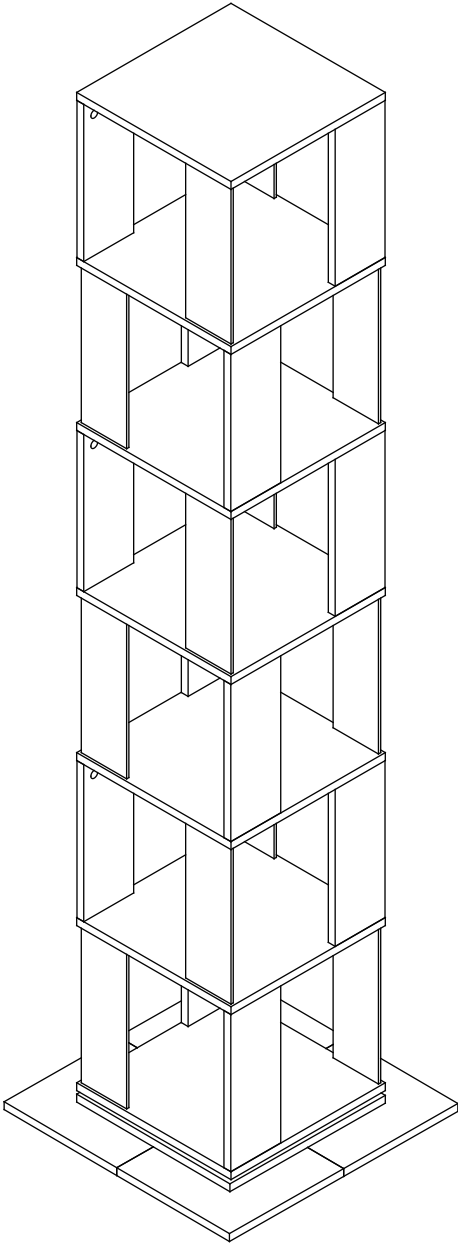
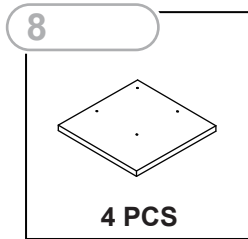
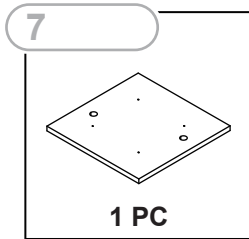
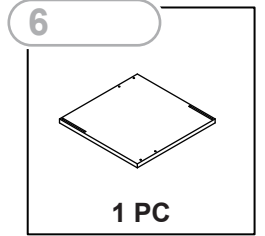
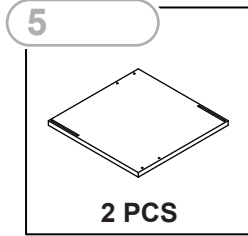
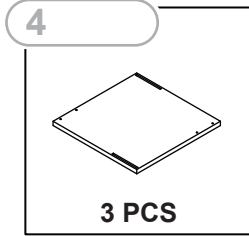
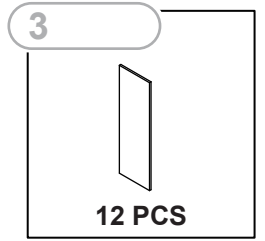
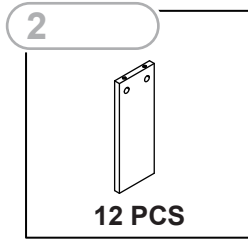
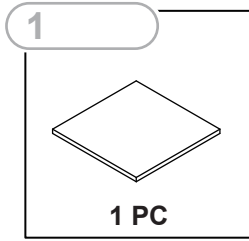
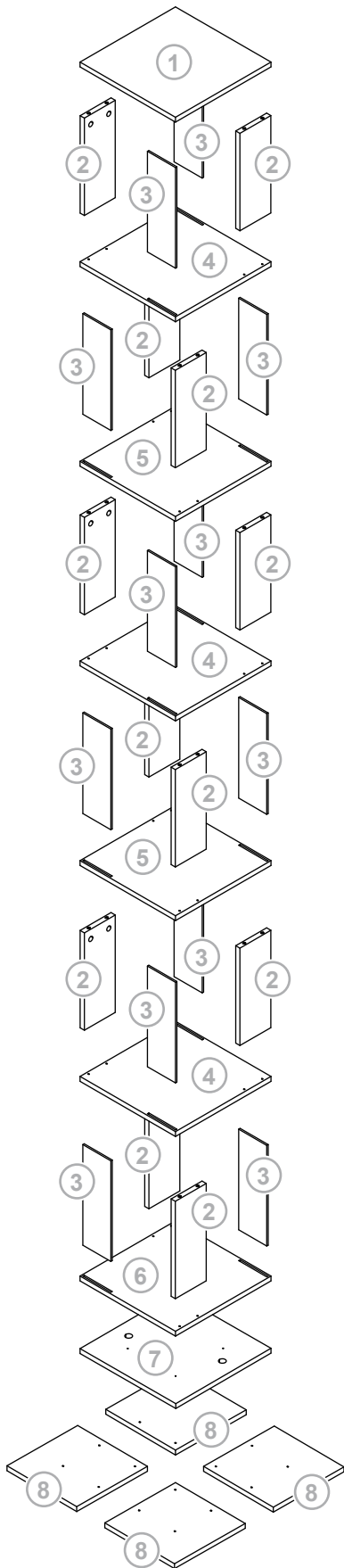


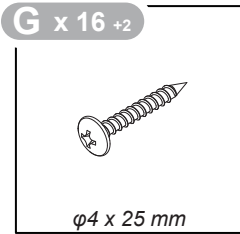
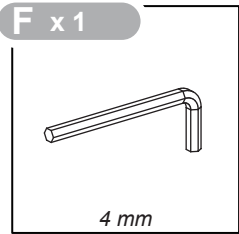
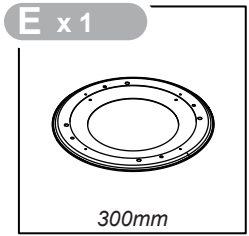
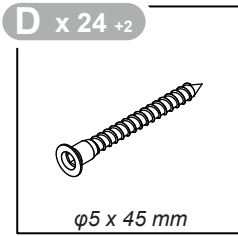
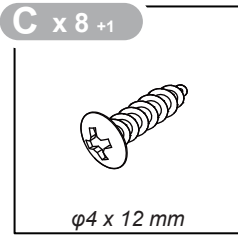
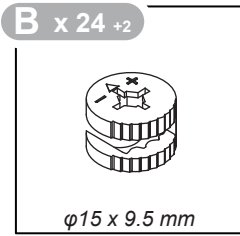
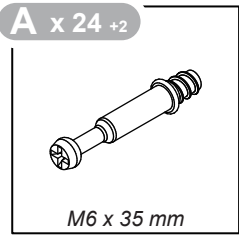
# ASSEMBLY INTRODUCTION



Plate

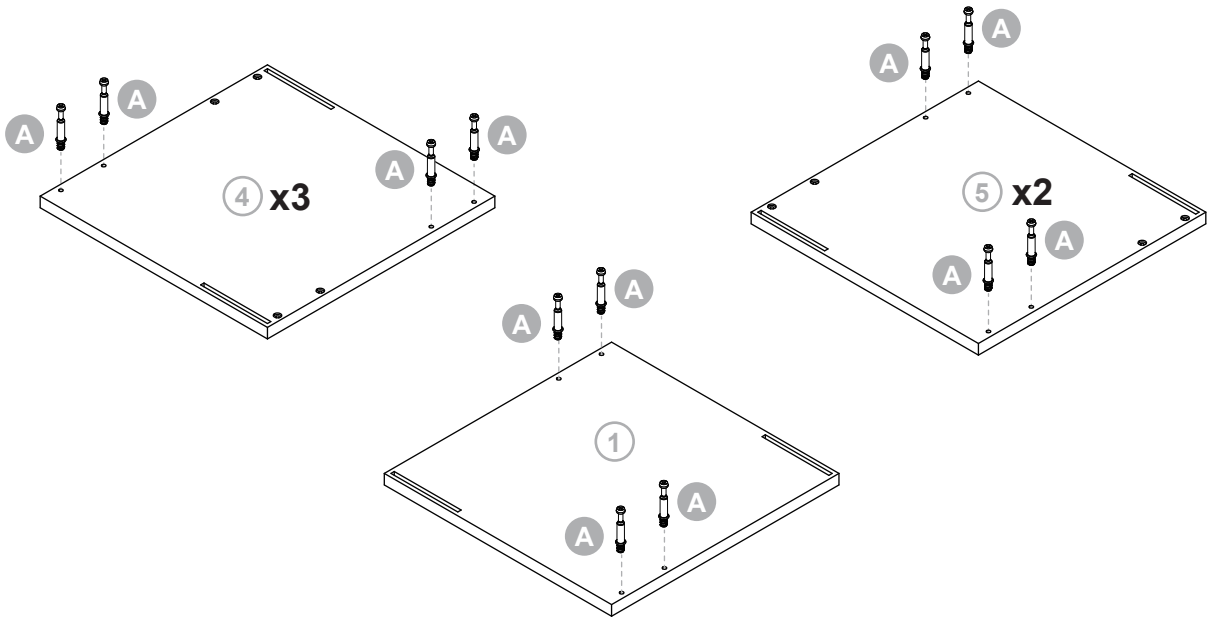
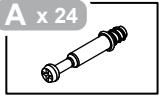


Fitting



1

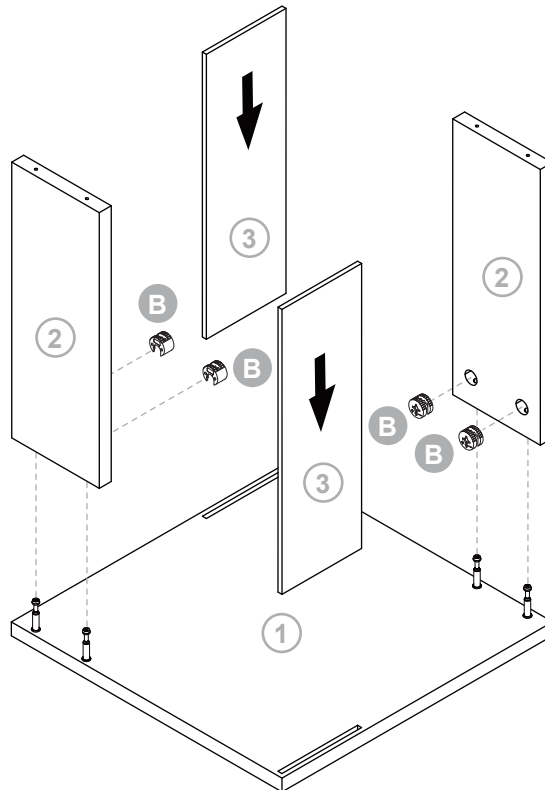
A x 24



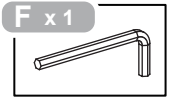
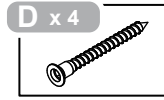
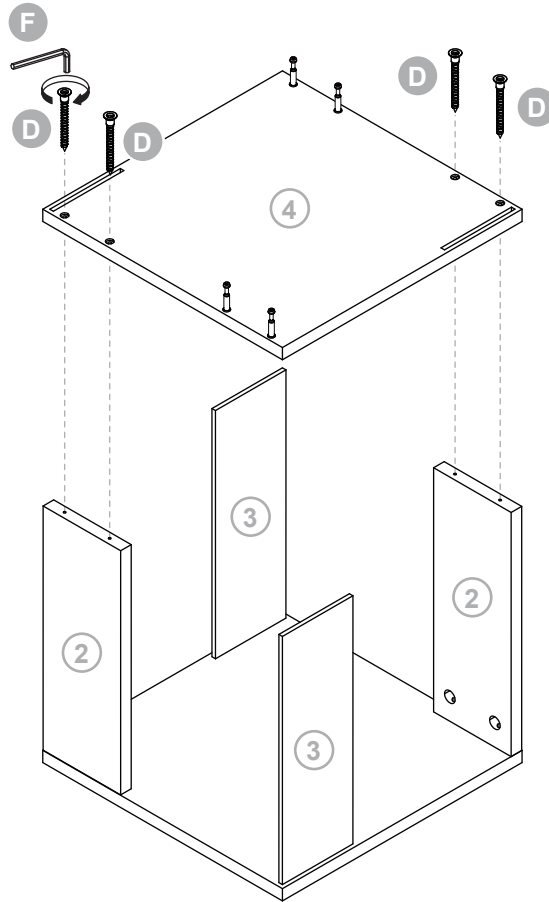
2

Remove the protective film of the acrylic sheet.

B x 4

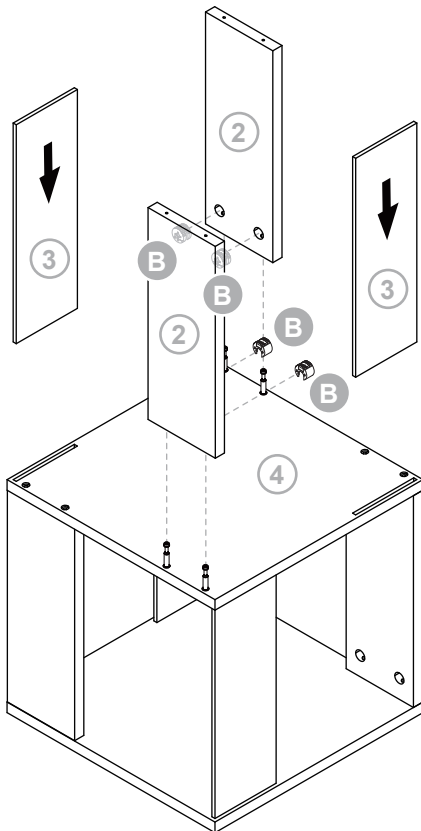
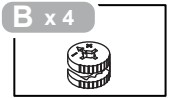


3

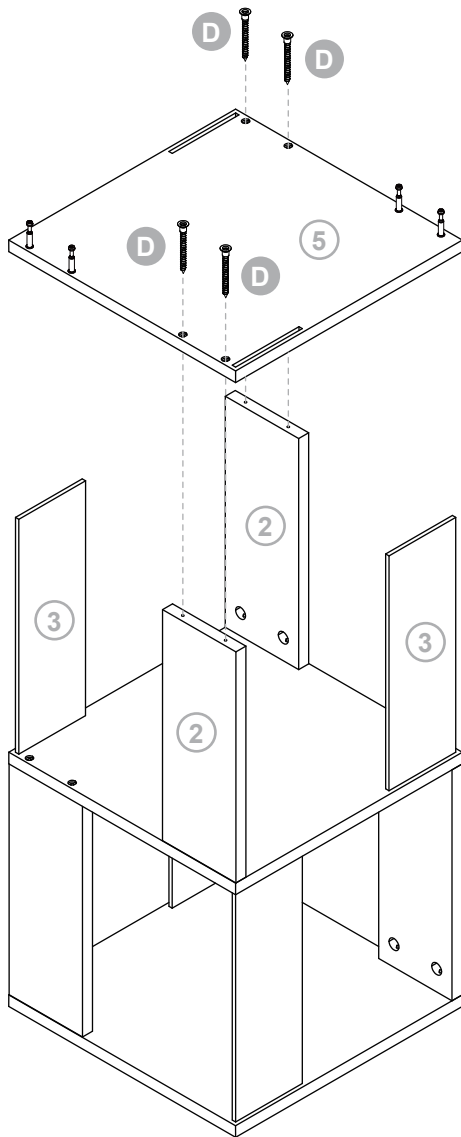
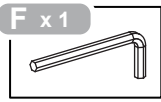
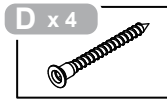


4

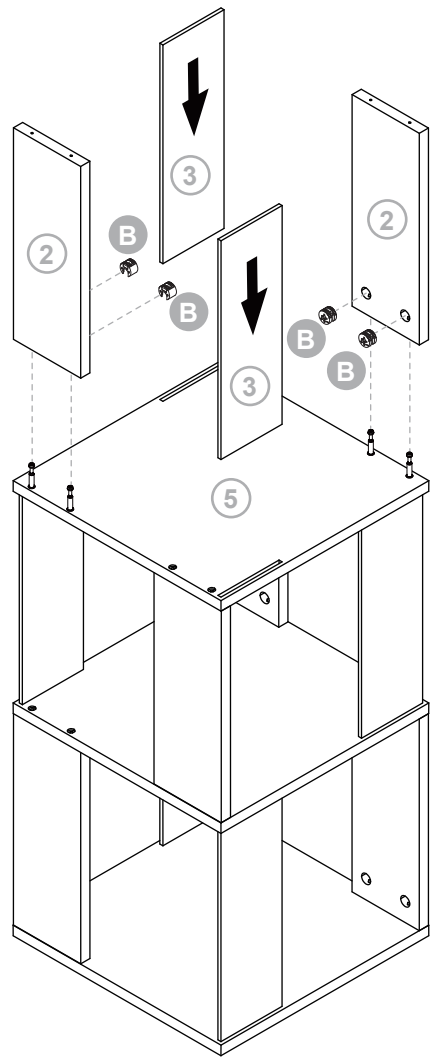
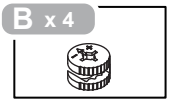
Remove the protective film of the acrylic sheet.



5



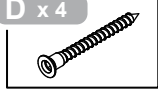
6



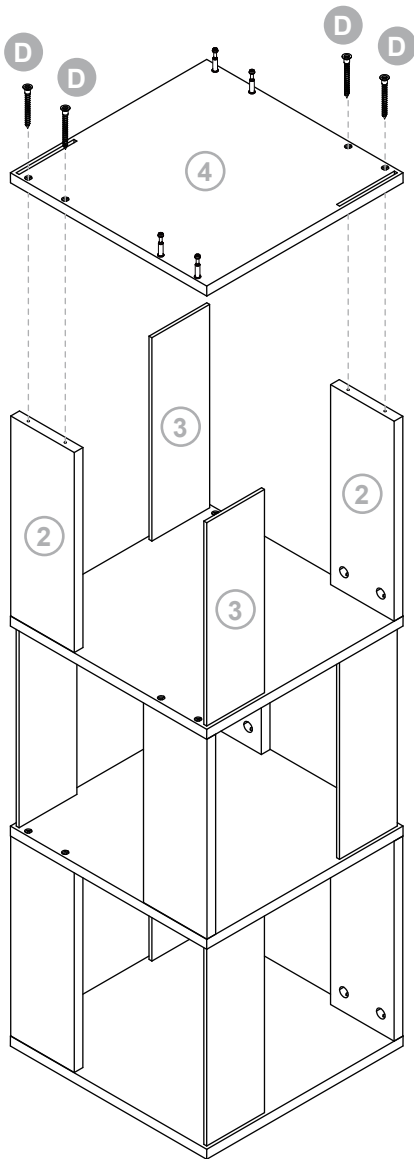
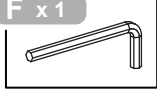
*Remove the protective film of the acrylic sheet.*

7

D x 4

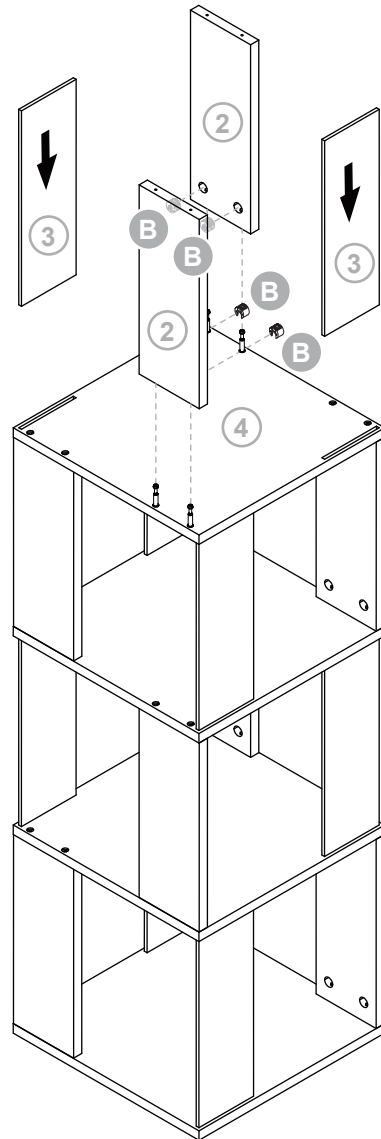


F x 1



8

B x 4



*Remove the protective film of the acrylic sheet.*

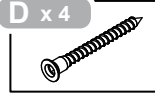
9

B x 4

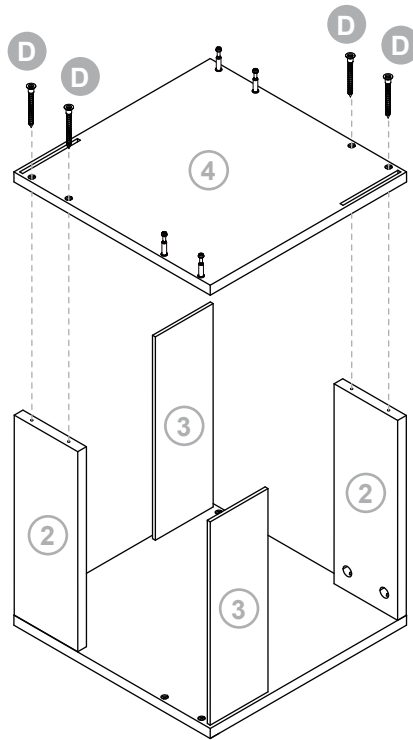
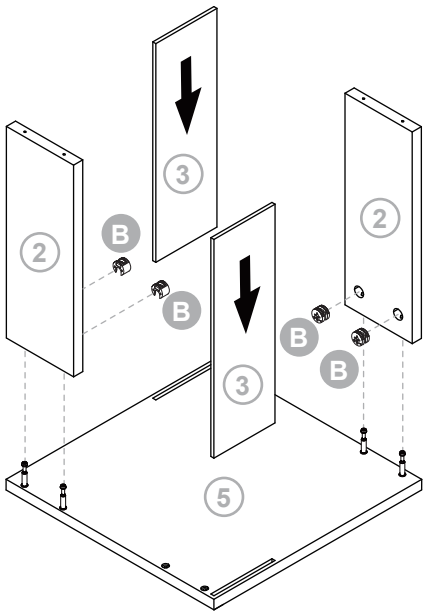
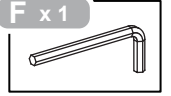


10

D x 4



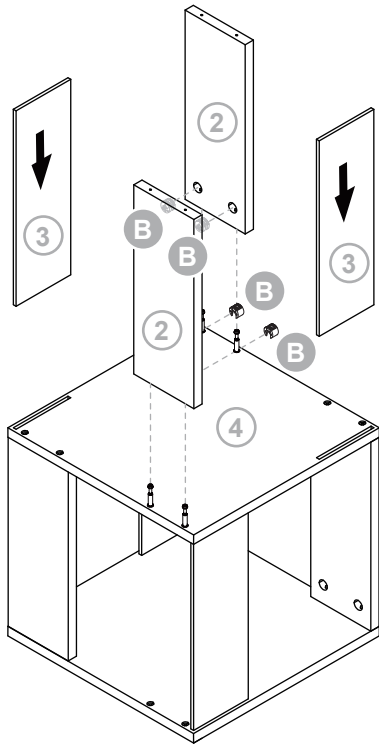
F x 1



*Remove the protective film of the acrylic sheet.*

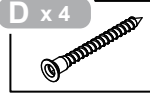
11

B x 4

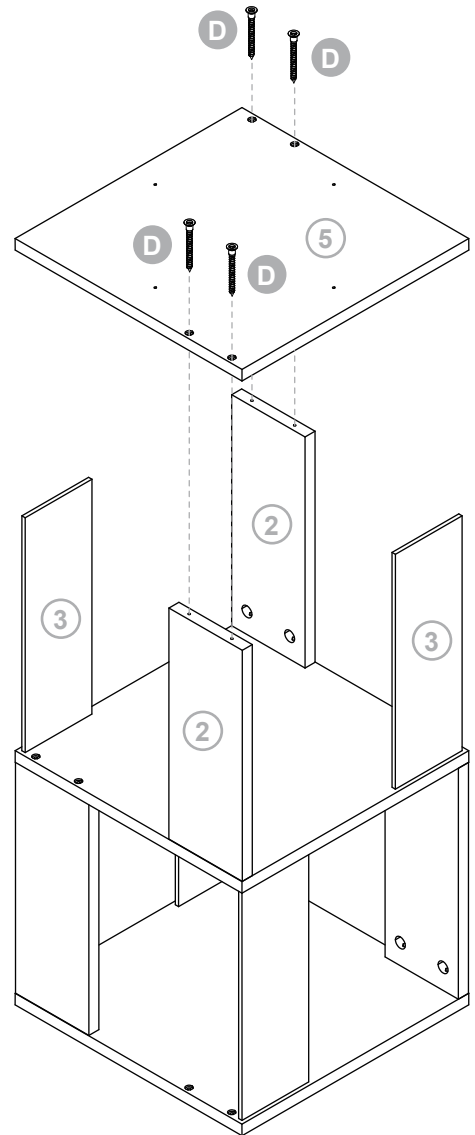
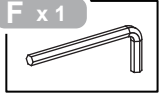


12

D x 4

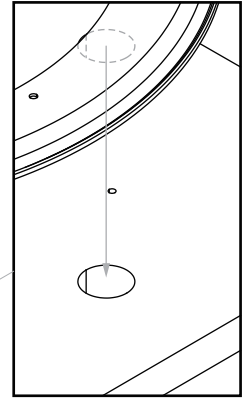
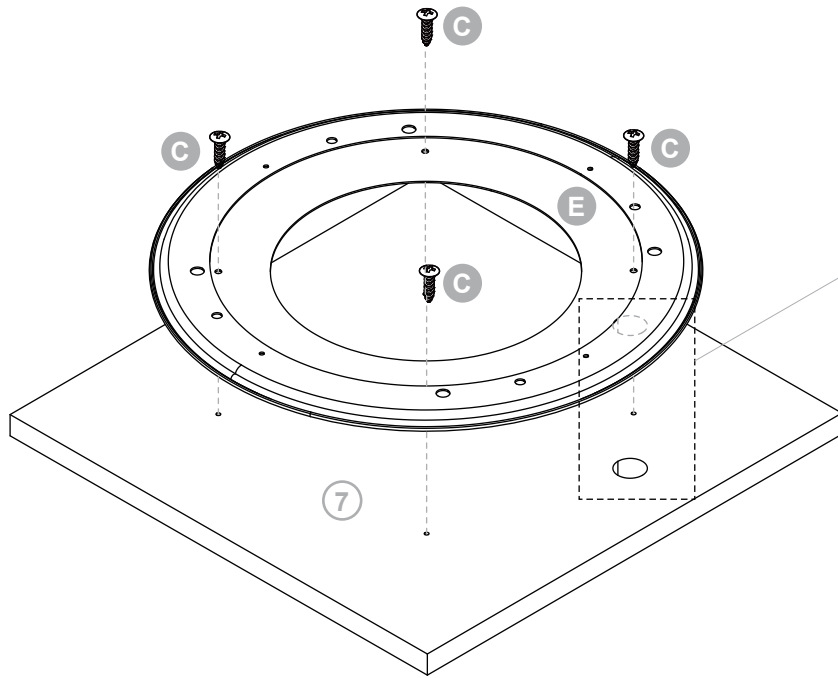
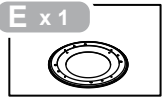
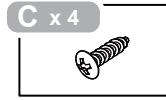


F x 1

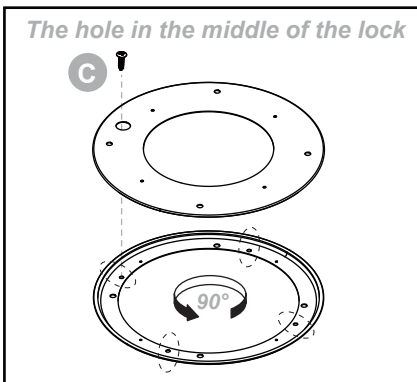
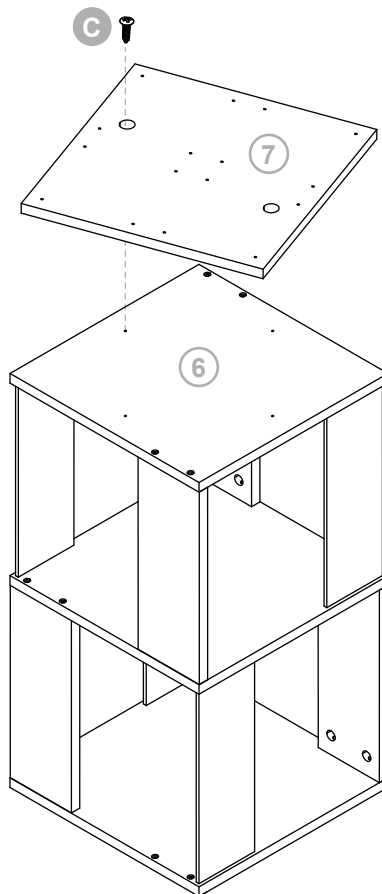
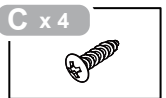


*Remove the protective film of the acrylic sheet.*

13

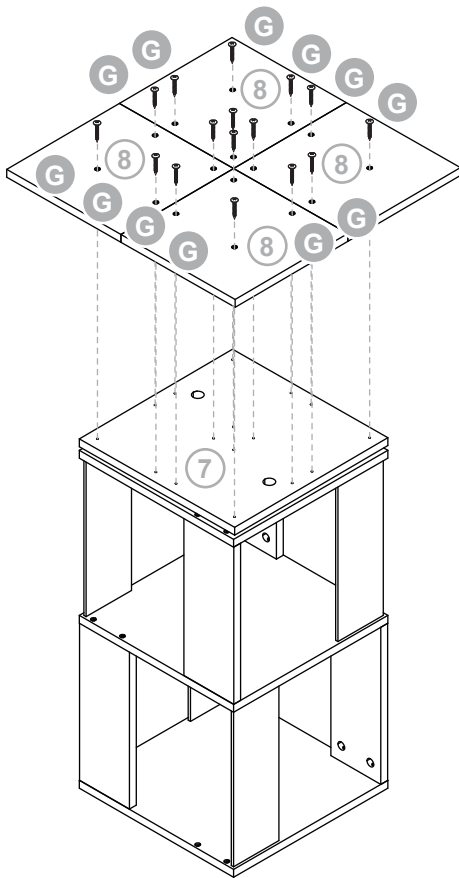
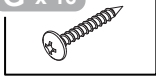


14



15

G x 16



16

D x 4



F x 1

