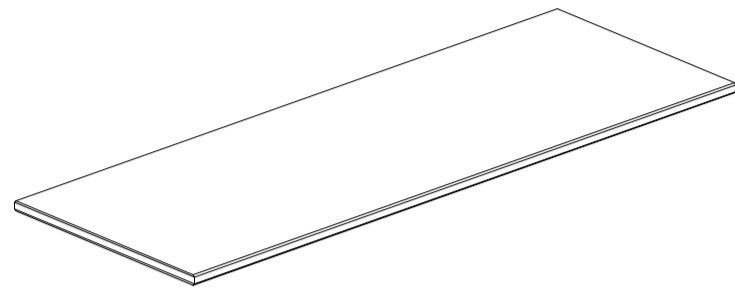


# MARBLE SIDEBOARD

## ASSEMBLY INSTRUCTIONS

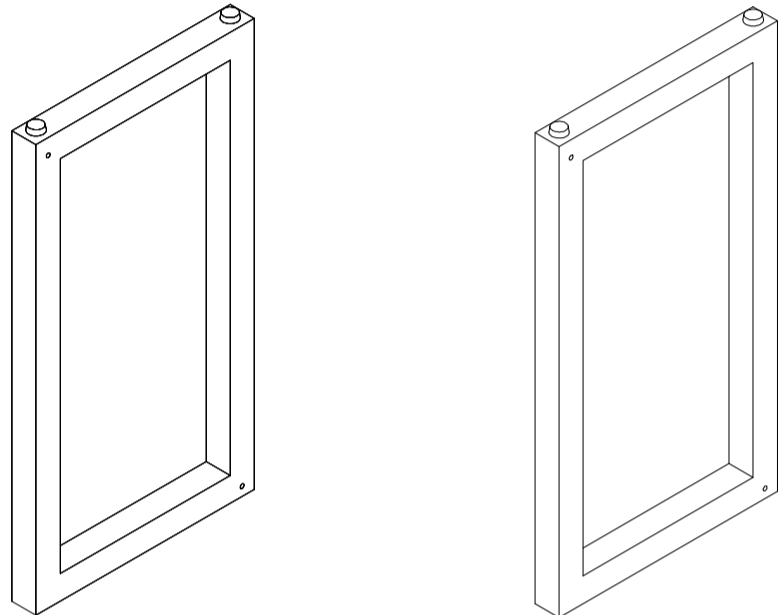
**BOX # 1**

**A. TABLE TOP 1PC**

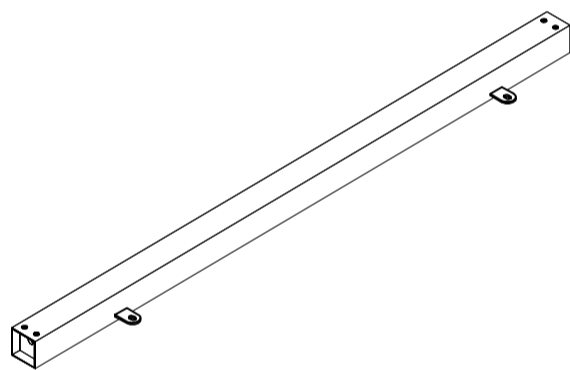


**BOX # 2**

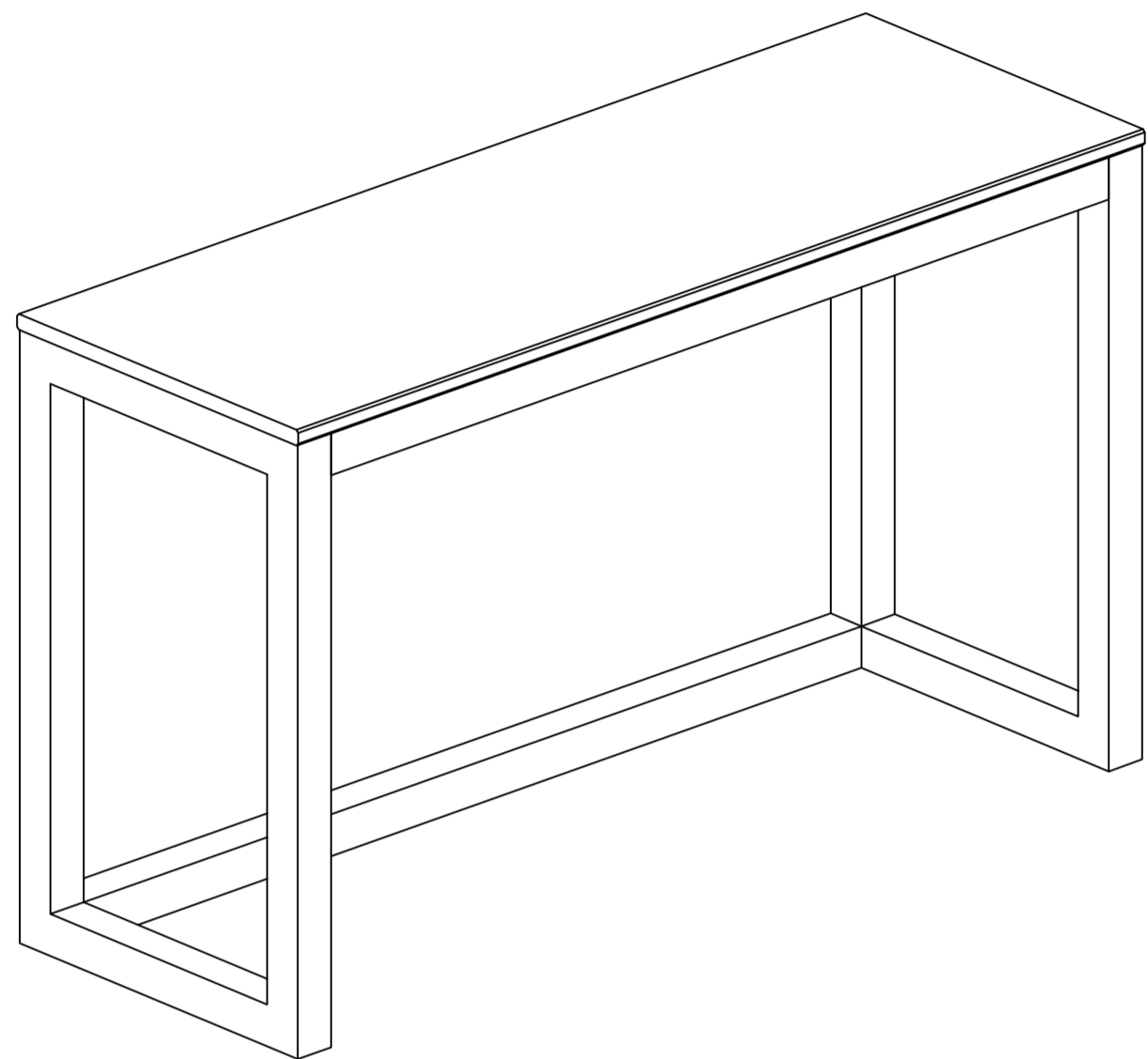
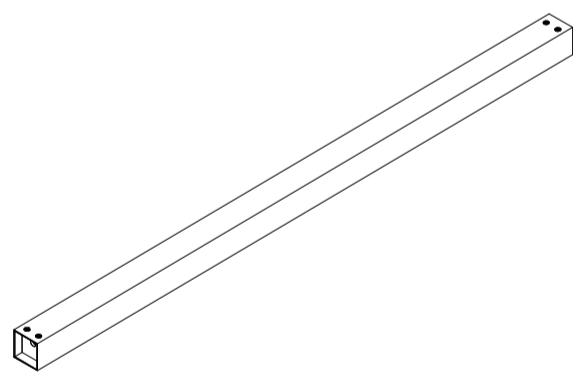
**B. LEG 2PC**



**C. TOP STRETCHER 2 PCS**



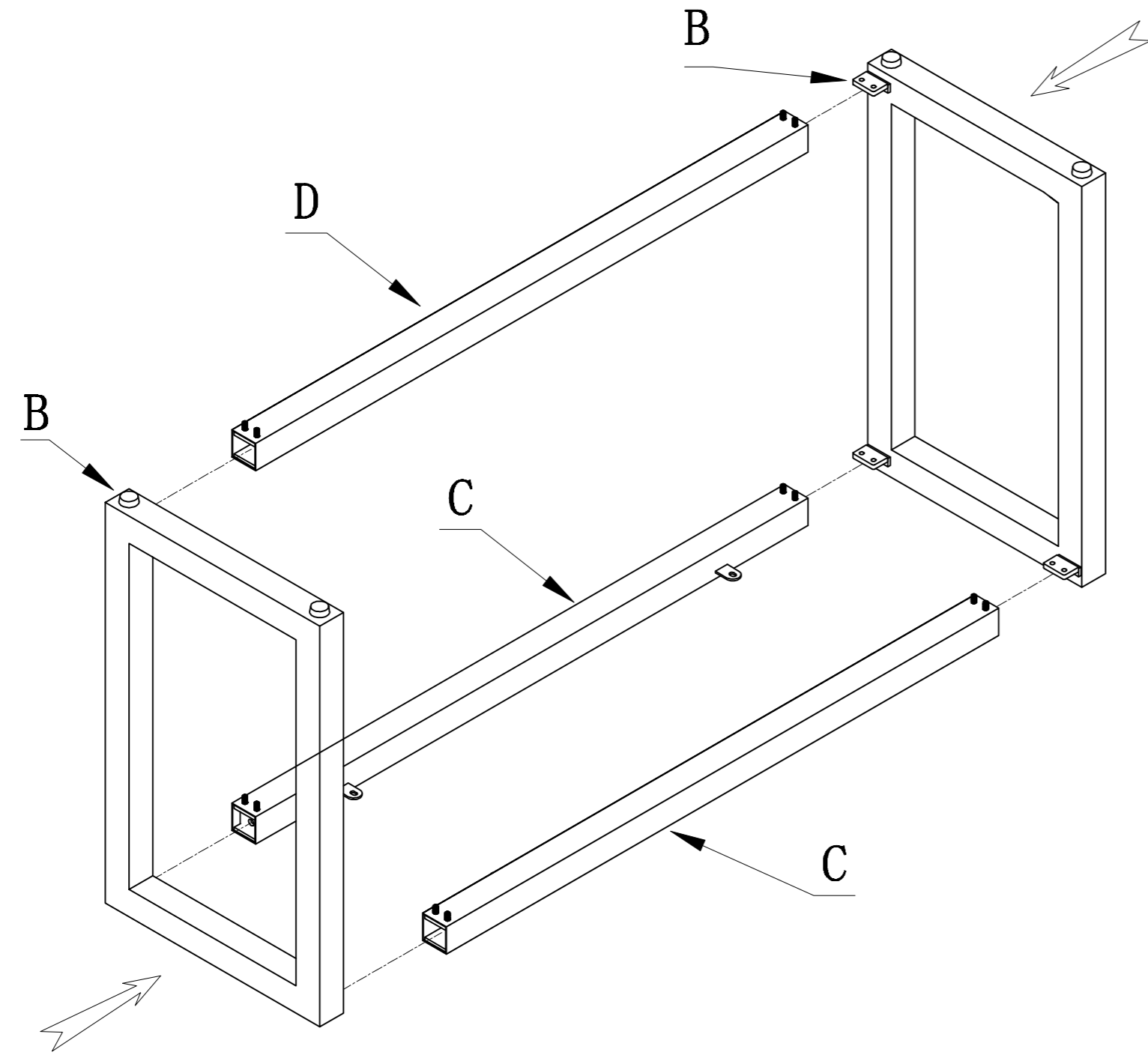
**D. BOTTOM STRETCHER 1PC**



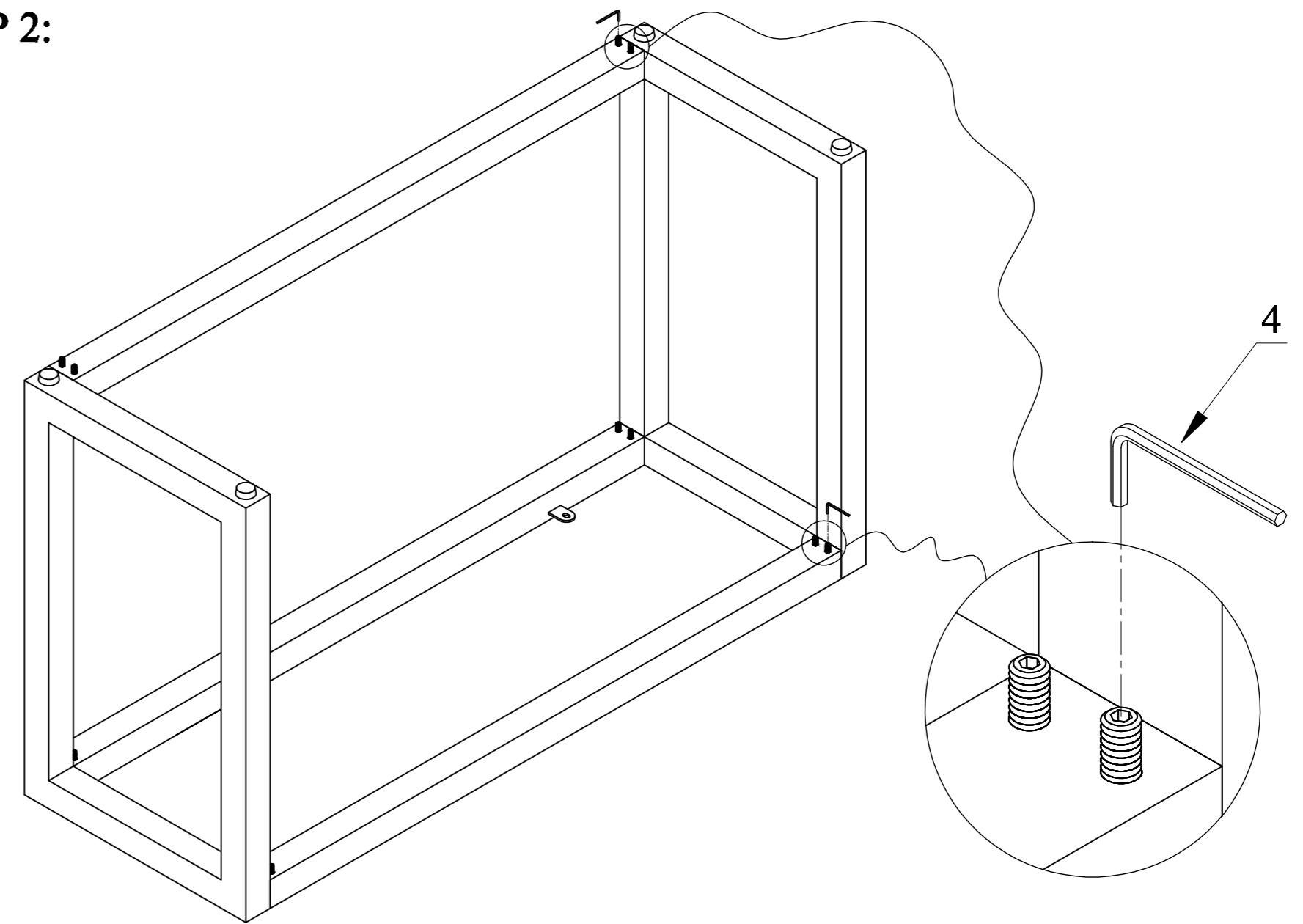
## HARDWARE PACKED IN BOX 2

1	ALLEN BOLT (M6X20)	4 PCS	2	SPRING WASHER (M6)	4 PCS	3	FLAT WASHER (M6)	4 PCS	4	ALLEN KEY (M4)	01 PC

**STEP 1:**

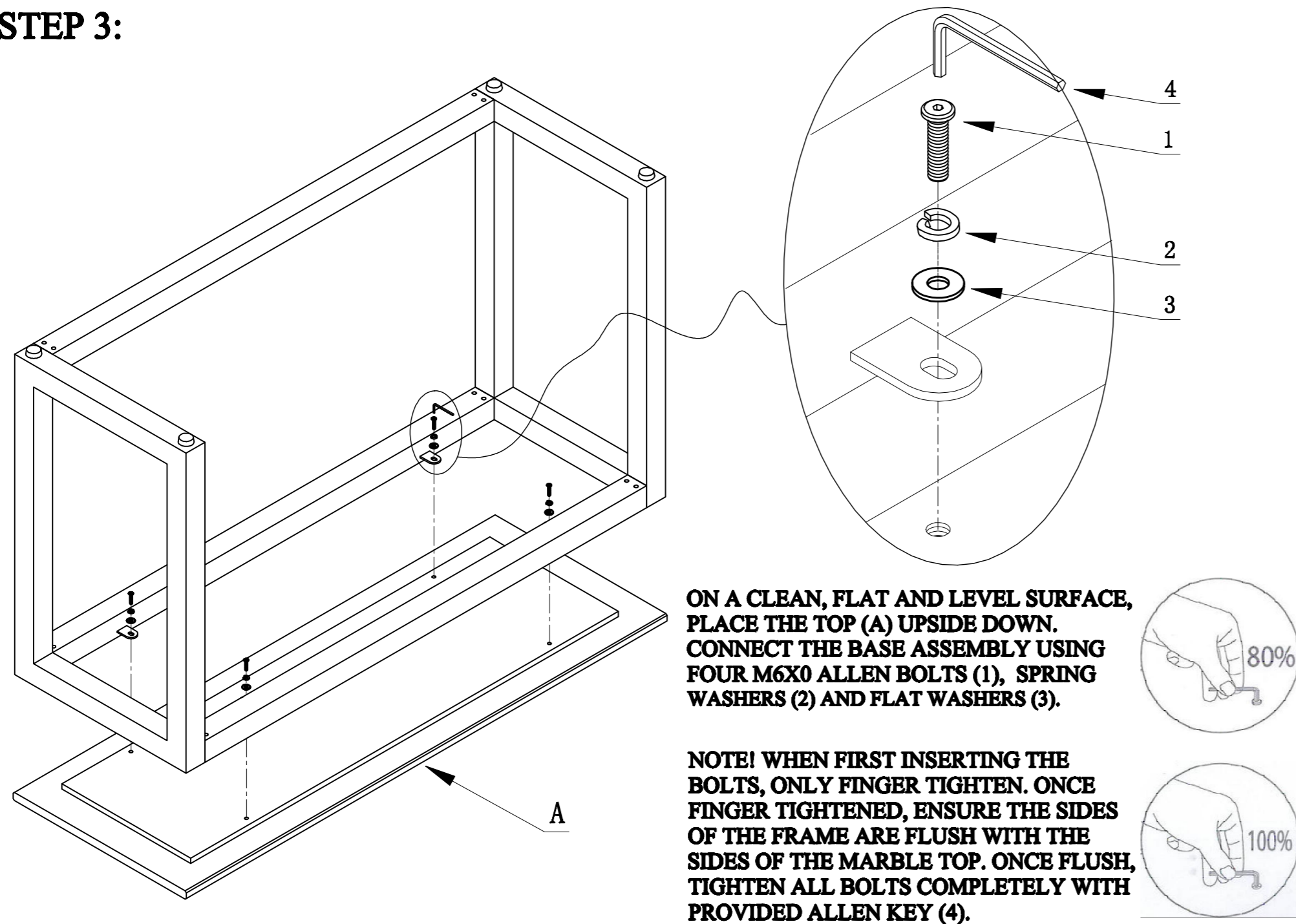


**STEP 2:**



**NOTE: MAKE SURE THE LEGS ARE FLUSH WITH THE STRETCHERS BEFORE TIGHTENING. ONCE FLUSH, TIGHTEN THREADED BOLTS WITH PROVIDED ALLEN KEY.**

**STEP 3:**

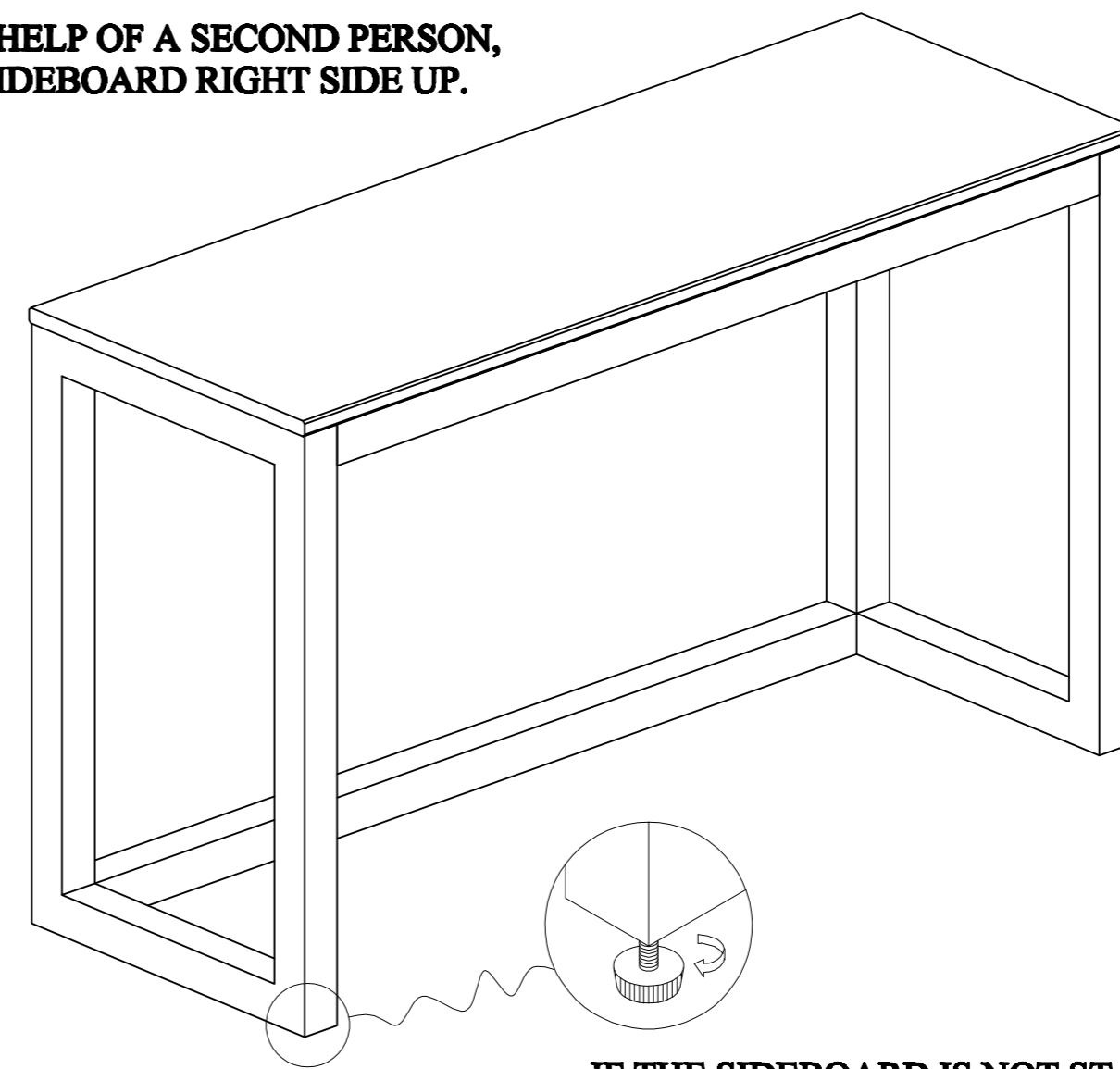


**ON A CLEAN, FLAT AND LEVEL SURFACE, PLACE THE TOP (A) UPSIDE DOWN. CONNECT THE BASE ASSEMBLY USING FOUR M6X0 ALLEN BOLTS (1), SPRING WASHERS (2) AND FLAT WASHERS (3).**

**NOTE! WHEN FIRST INSERTING THE BOLTS, ONLY FINGER TIGHTEN. ONCE FINGER TIGHTENED, ENSURE THE SIDES OF THE FRAME ARE FLUSH WITH THE SIDES OF THE MARBLE TOP. ONCE FLUSH, TIGHTEN ALL BOLTS COMPLETELY WITH PROVIDED ALLEN KEY (4).**

**STEP 4:**

**WITH THE HELP OF A SECOND PERSON, FLIP THE SIDEBOARD RIGHT SIDE UP.**



**IF THE SIDEBOARD IS NOT STABLE AFTER ASSEMBLING, PLEASE ADJUST THE LEVELERS ON THE UNDERSIDE OF THE LEGS TO REDUCE WOBBLE.**