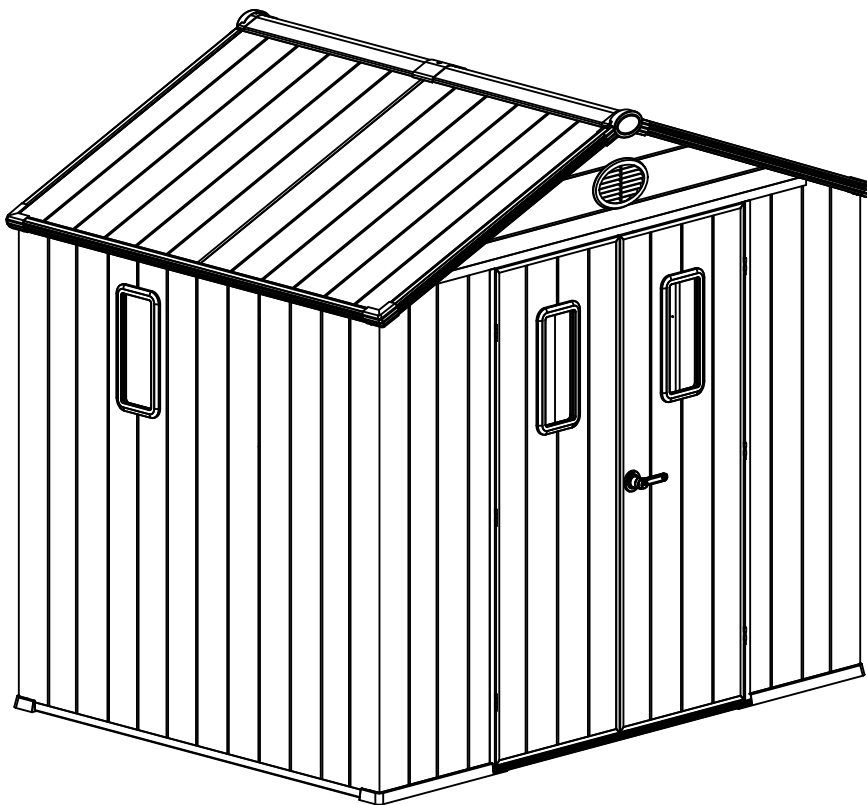


8x6FT

BSYYOT340



BSaftersaleservice@outlook.com

WARNINGS & CAUTIONS

Thank you for choosing our outdoor storage shed. Please read this entire section before beginning installation. Following these guidelines will help ensure safe assembly, proper use, and long-term durability.

1. BEFORE YOU START (MOST IMPORTANT)

1.1 Check Local Regulations

Before installing the shed, review your local building codes and permitting requirements. Some areas require approval for outdoor structures.

1.2 Choose the Right Location

- Install the shed on a **level, solid surface** such as concrete or a reinforced deck.
- Do **not** install directly on soil, grass, or bare ground.
- Keep at least **6 ft.** (1.8 m) of clearance from fences, houses, garages, trees, or electrical wires.

1.3 Secure the Shed

For safety and wind resistance, the shed **must be anchored**. Use the pre-marked holes on the floor and attach proper ground anchors or screws (not included).

1.4 Verify All Parts

Unpack and check all components before assembly. If anything is missing or damaged, **stop installation** and contact us.

1.5 Two-Person Assembly Required

Due to the size and weight of the shed panels, at least two adults are needed for safe installation.

1.6 Wear Protective Gear

Use work gloves, safety goggles, and long sleeves while assembling or performing maintenance.

2. SAFETY GUIDELINES DURING USE

2.1 Wind & Weather Precautions

- This shed is tested to **Level 8 wind resistance (46 mph)** and a roof load of **800 lbs.**
- Keep the doors **closed and locked** when not in use to prevent wind-related damage.
- During snowy conditions, clear the roof regularly. Use a **plastic snow rake** to avoid scratching the surface.

2.2 Child & Pet Safety

- Keep children and pets away from the work area during assembly.
- Do not leave children unsupervised inside or around the shed.
- Never stand or allow anyone to stand on the roof.**

2.3 Weight Limits

Hooks installed along the roof frame must not exceed a maximum load of **30 lbs.**

2.4 Safe Cleaning

- Clean with a garden hose or mild detergent.
- Do not use metal brushes, degreasers, or cleaners containing oil or acetone, as they may damage the material.

2.5 Storage Restrictions

Do not store:

- Recently used grills, torches, or any hot items
- Highly volatile or flammable chemicals

2.6 Avoid Mechanical Damage

Keep lawnmowers, trimmers, and other high-speed yard tools away from the shed to prevent impact damage.

2.7 Consider Wind Direction

When choosing a location, reduce exposure to strong prevailing winds—especially on the **door side**.

3. WARRANTY INFORMATION

Limited Warranty

This product includes a **3-month limited warranty**, valid only for the original purchaser and for personal, residential use.

The warranty covers defects in materials or workmanship under normal use.

Lost Parts Policy

Missing parts reported within **90 days** of purchase will be replaced at no cost. After 90 days, replacement parts may incur a fee.

Modification Notice

Any modifications—such as drilling, cutting, altering components, or using non-approved hardware—may compromise structural integrity and **void all warranties**.

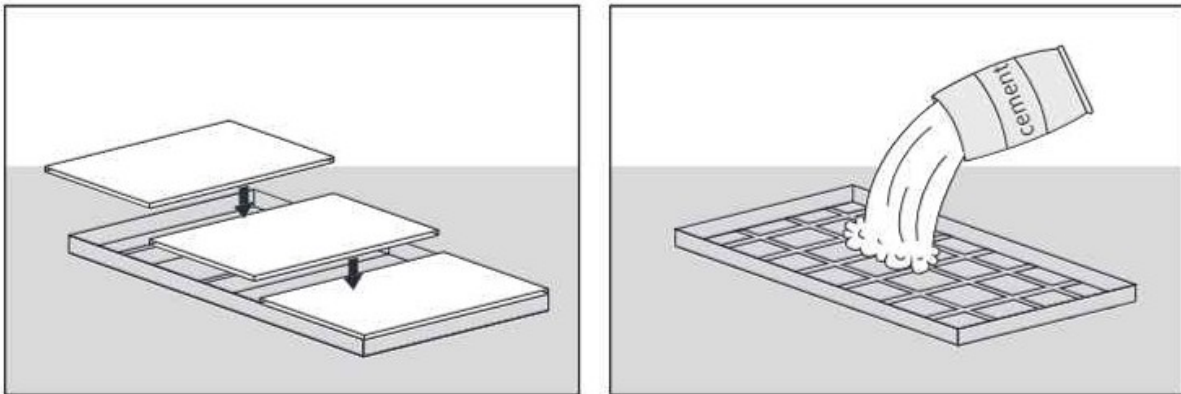
We cannot assume responsibility for products that have been altered.

Site preparation

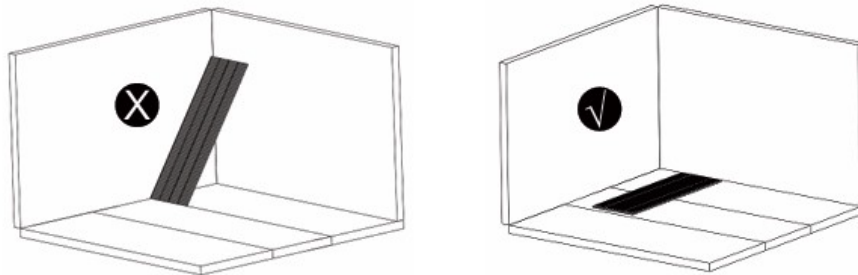
1. Leveling the ground.



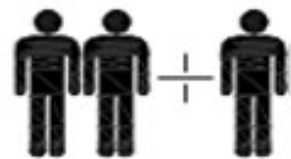
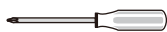
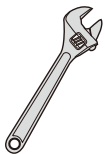
2. Recommendation: Construct a wooden or concrete base as a foundation.



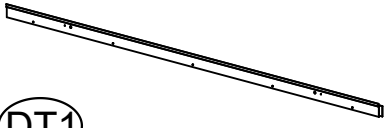



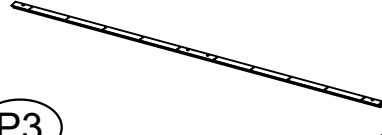
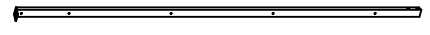


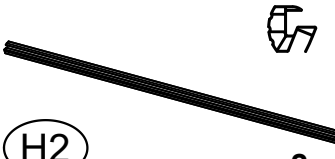

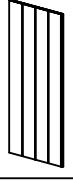
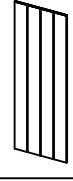

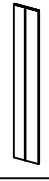




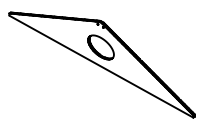
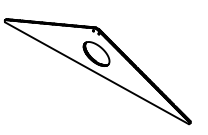



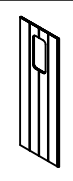

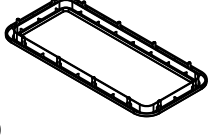

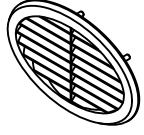
3. Parts are placed after unpacking.




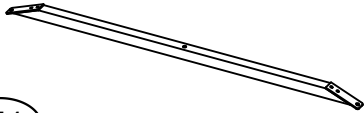
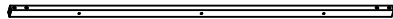
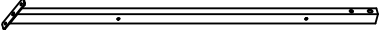
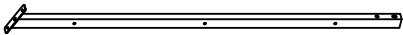












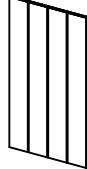

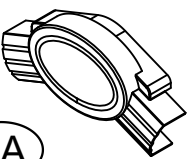
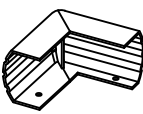
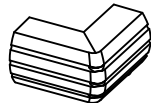

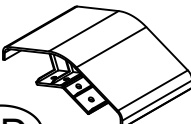
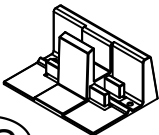
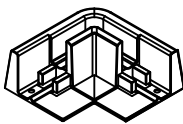

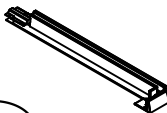
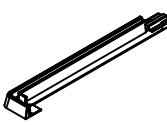
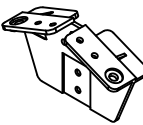
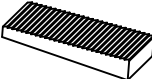
Tools Needed (Not Included)



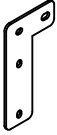
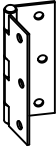
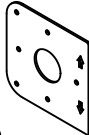
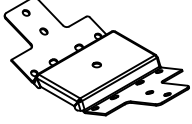
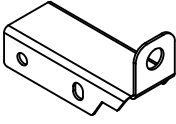







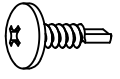






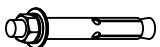

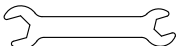




Parts List (Box 1)

 (DT1) 1x	 (DR) 1x	 (DL) 1x	
 (DM) 1x	 (P3) 2x	 (U4) 2x	
 (D2) 2x	 (F2) 2x	 (H2) 2x	 (N1) 1x
1850x617  (B1) 2x	1850x617  (B2) 1x	1857x282  (B3L) 1x	1857x282  (B3R) 1x
1865x604  (B4L) 2x	1865x604  (B4R) 2x	1825x620  (B5L) 1x	1825x620  (B5R) 1x
 (B6A) 1x	 (B6B) 1x	1775x617  (B7) 1x	1775x617  (B7B) 1x
1775x617  (B8) 1x	1775x617  (B8B) 1x	 (SEI) 4x	 (SEO) 4x
 (SFI) 2x	 (SFO) 2x		

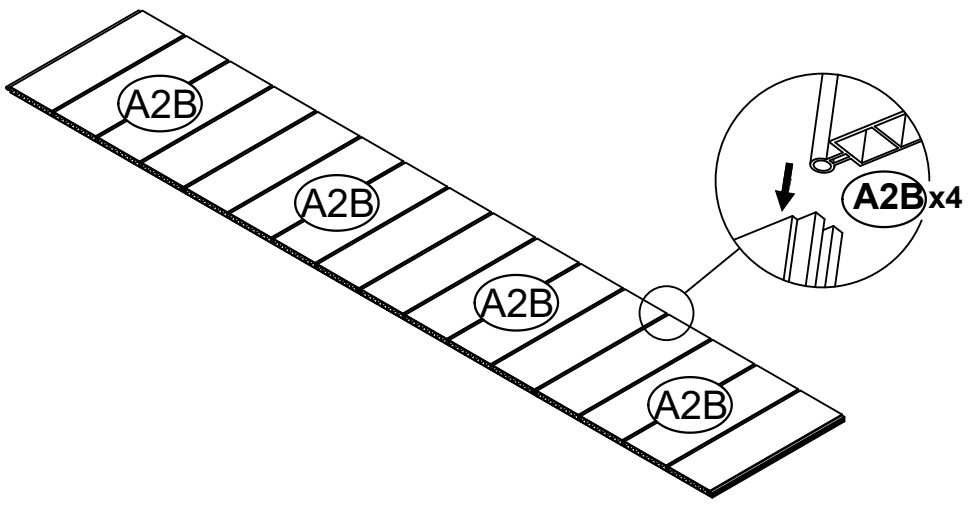
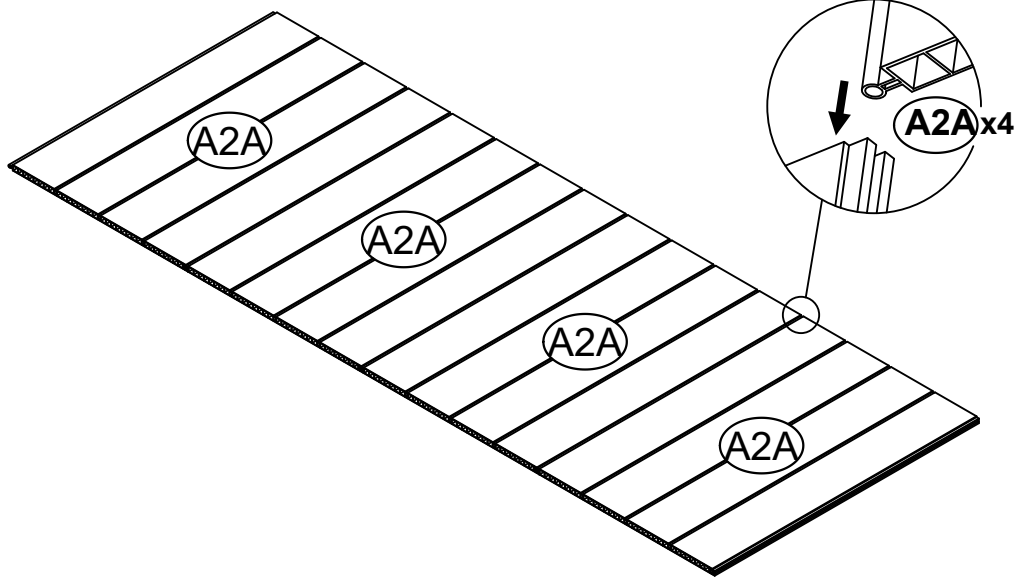
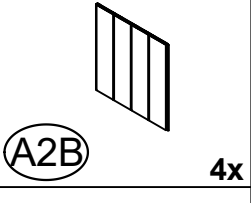
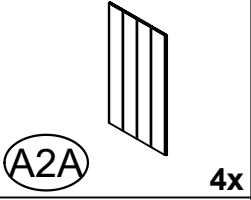
Parts List (Box 2)

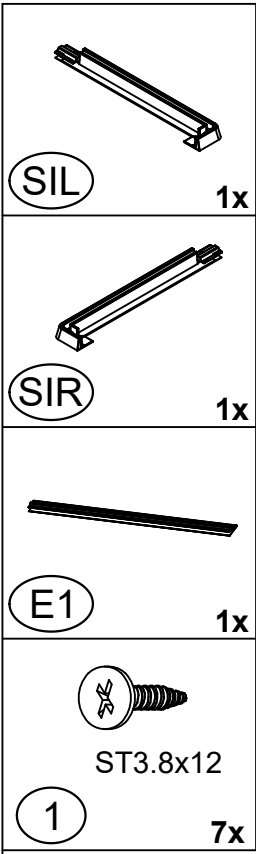
 (R1) 2x	 (T1) 1x	 (U3A) 4x	
 (U3B) 2x	 (U3C) 2x	 (D1) 2x	
 (E1) 1x	 (FIL) 1x	 (FIR) 1x	 (F3L) 1x
 (F3R) 1x	 (G1) 2x	 (J1) 4x	 (K1) 4x
 (Q4) 2x			
1247x603  (A2A) 4x	500x603  (A2B) 4x	1247x617  (C1) 4x	1247x316  (C4) 4x
 (SA) 2x	 (SCA) 2x	 (SCB) 2x	 (SE) 4x
 (SD) 1x	 (SG) 1x	 (SH) 2x	 (SK) 1x
 (SIL) 1x	 (SIR) 1x	 (SJ) 2x	 (SP) 2x

Parts List (Box 2)

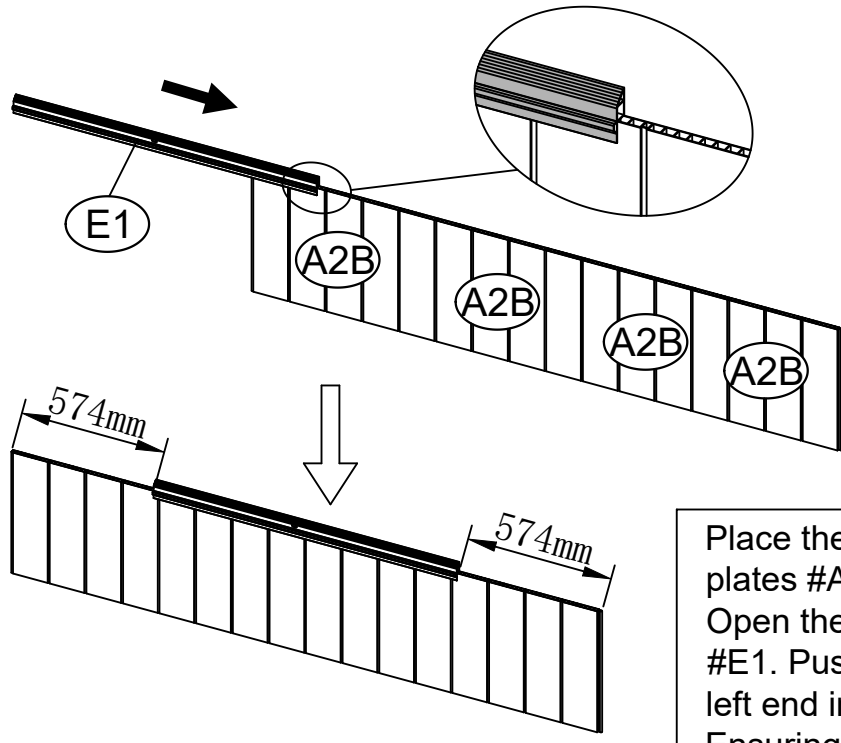
 X1	 X2	 X3	 X4
2x	6x	1x	1x
 X5	 X6	rubber sealing strip  X7	 13
6x	1x	1x	ST3.8x20 28x
 1	 2	 3	 4
ST3.8x12 70x	ST3.8x14 158x	ST3.8x12 24x	ST4.8x32 64x
 5	 6	 7	 8
ST4.2x16 25x	ST2.8x12 54x	M6x15 20x	M6x40 20x
 9	 10	 11	 12
M6 20x	M8x45 1x	M6 20x	M8x80 6x
TOOL:			
 Y8	 Y1	 Y2	 Y3
2x	1x	5MM 1x	1x
NOTE: The plastic pieces are guide pieces to assist in inserting wall panels.	 Y6	 Y7	
	1x	1x	

<1>





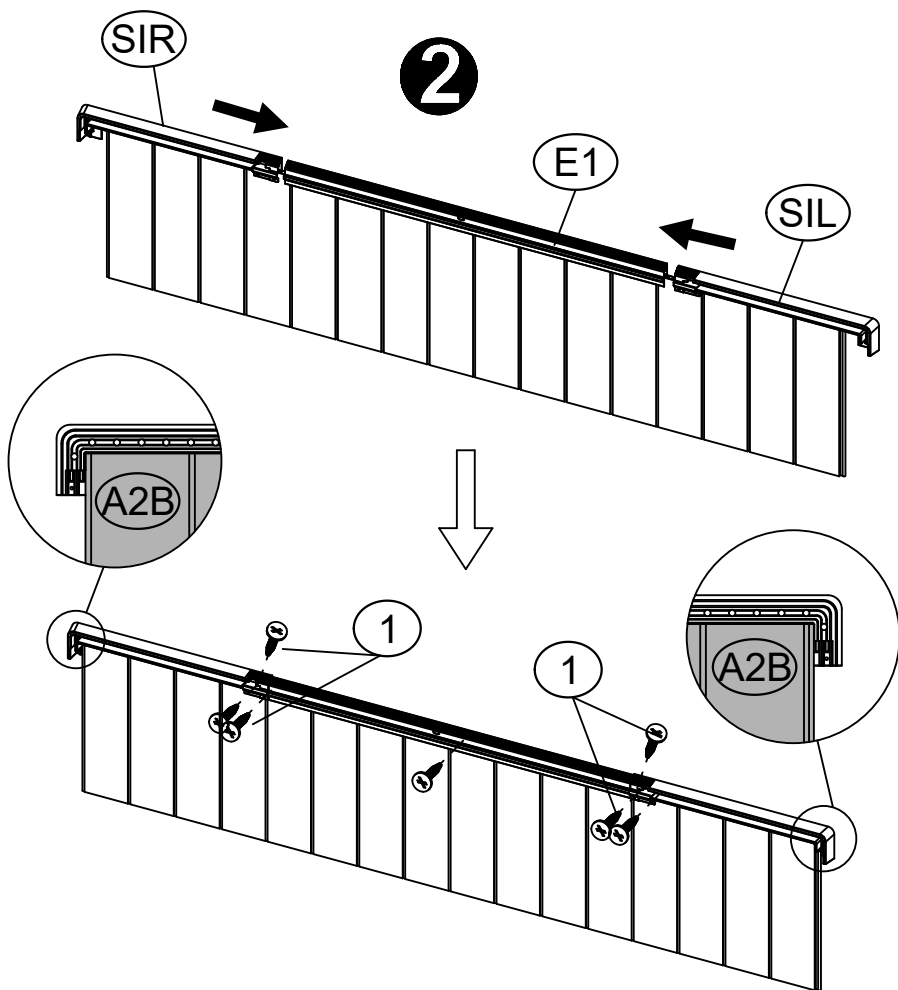
<2>



1

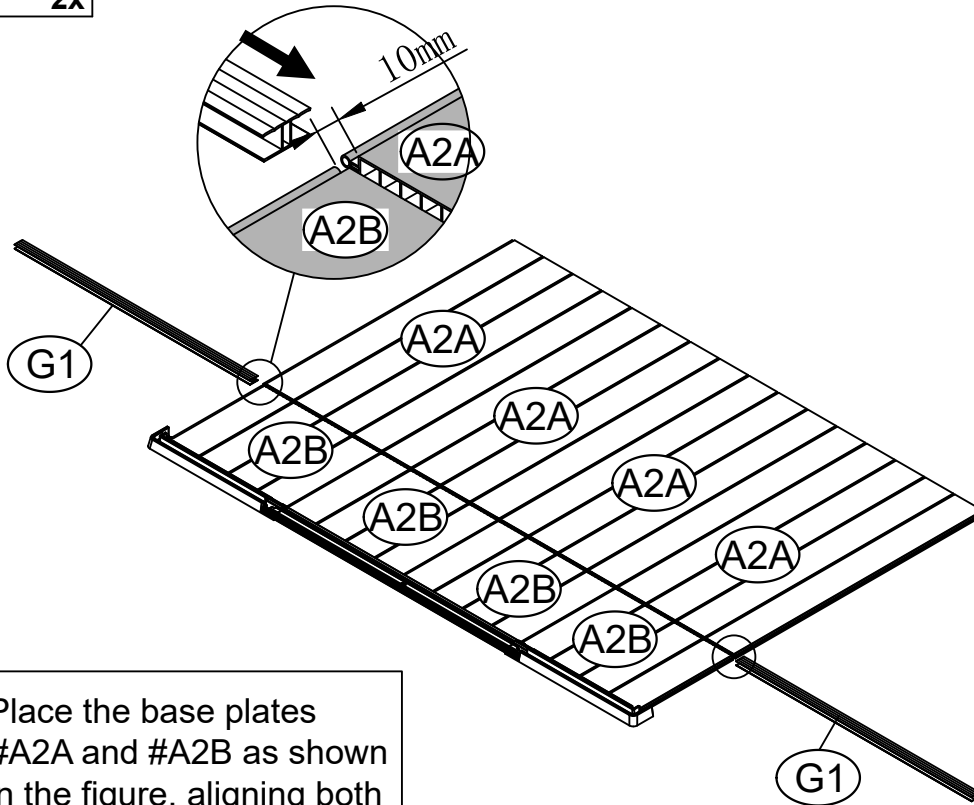
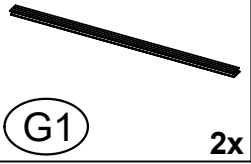
Place the four base plates #A2B upright. Open the slot port of #E1. Push it from the left end into the middle. Ensuring that the distance on both sides is equal.

2

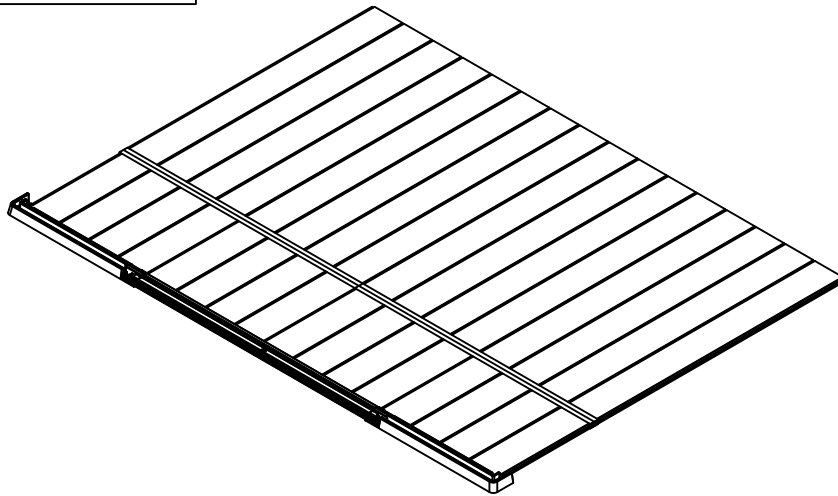
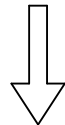


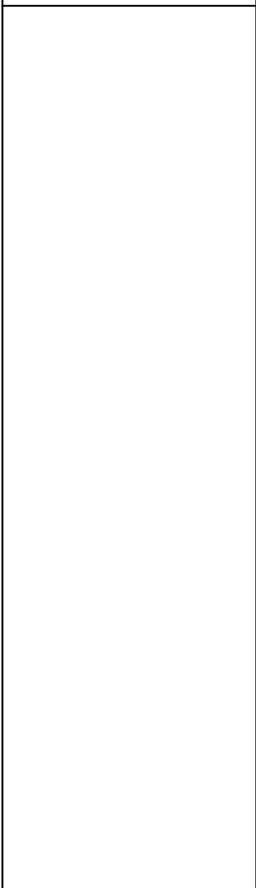
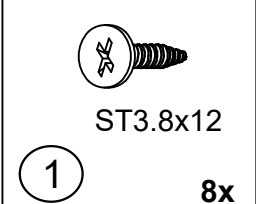
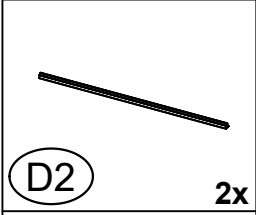
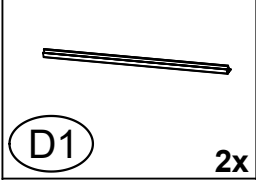
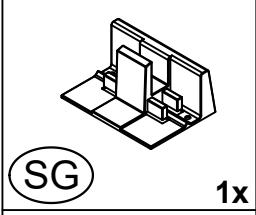
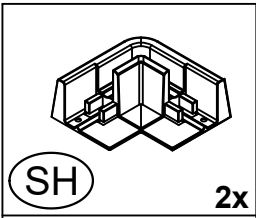
Insert the #E1 card into the left threshold #SIL and the right threshold #SIR of the front door. Gently tap the left and right thresholds as shown in the enlarged picture to ensure that the bottom plate #A2B is flush with both sides of the left and right thresholds. Fix the above components with 7pcs #1 screws.

<3>

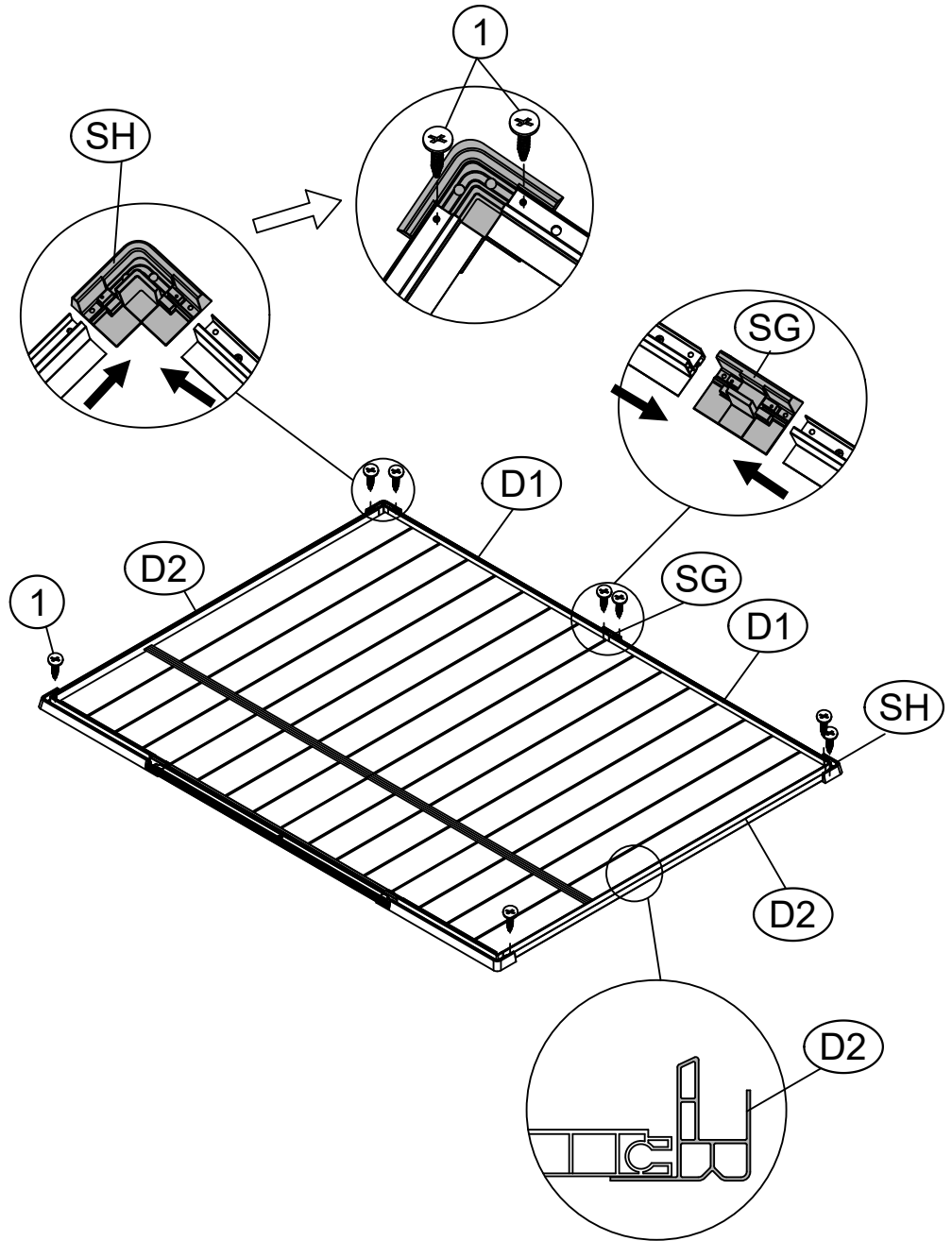








Place the base plates #A2A and #A2B as shown in the figure, aligning both ends and leaving a 10mm gap in the middle. One person holds #A2A and #A2B in place at one end, while another person inserts #G1 through the middle at the other end.



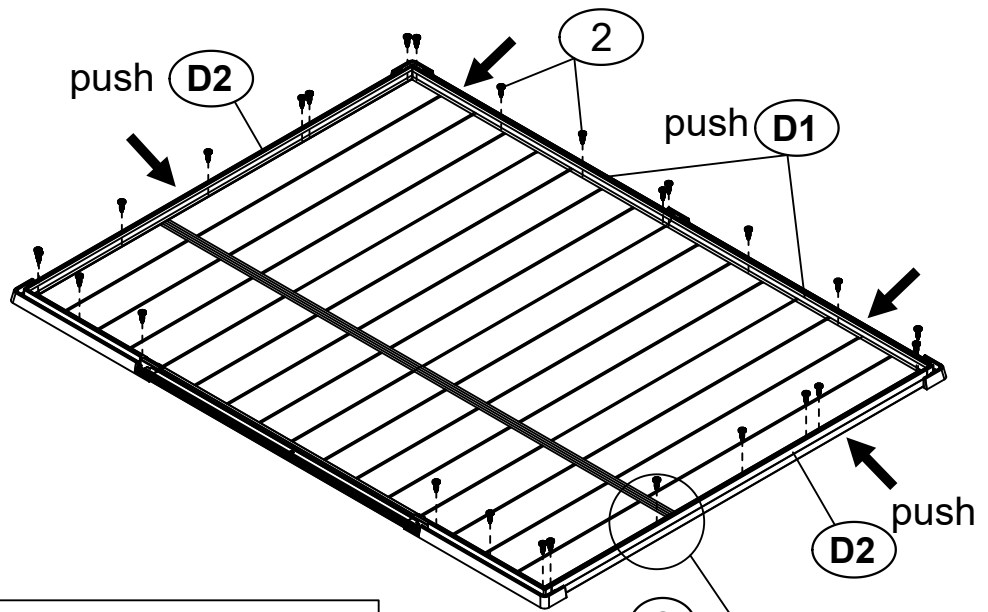
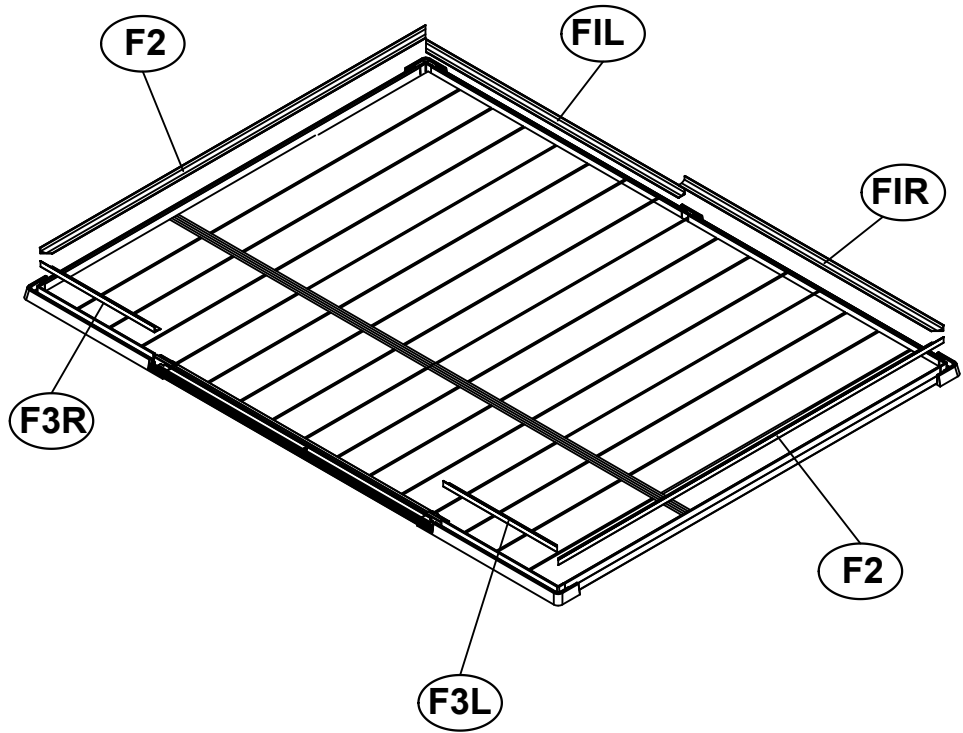


<4>

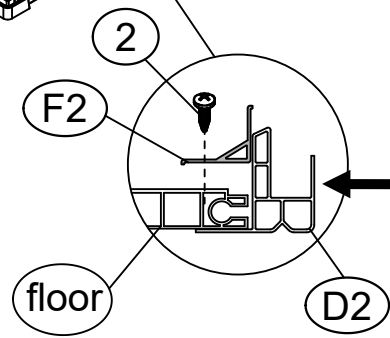


-  (F3L) 1x
-  (F3R) 1x
-  (FIL) 1x
-  (FIR) 1x
-  (F2) 2x
-  (2) 26x

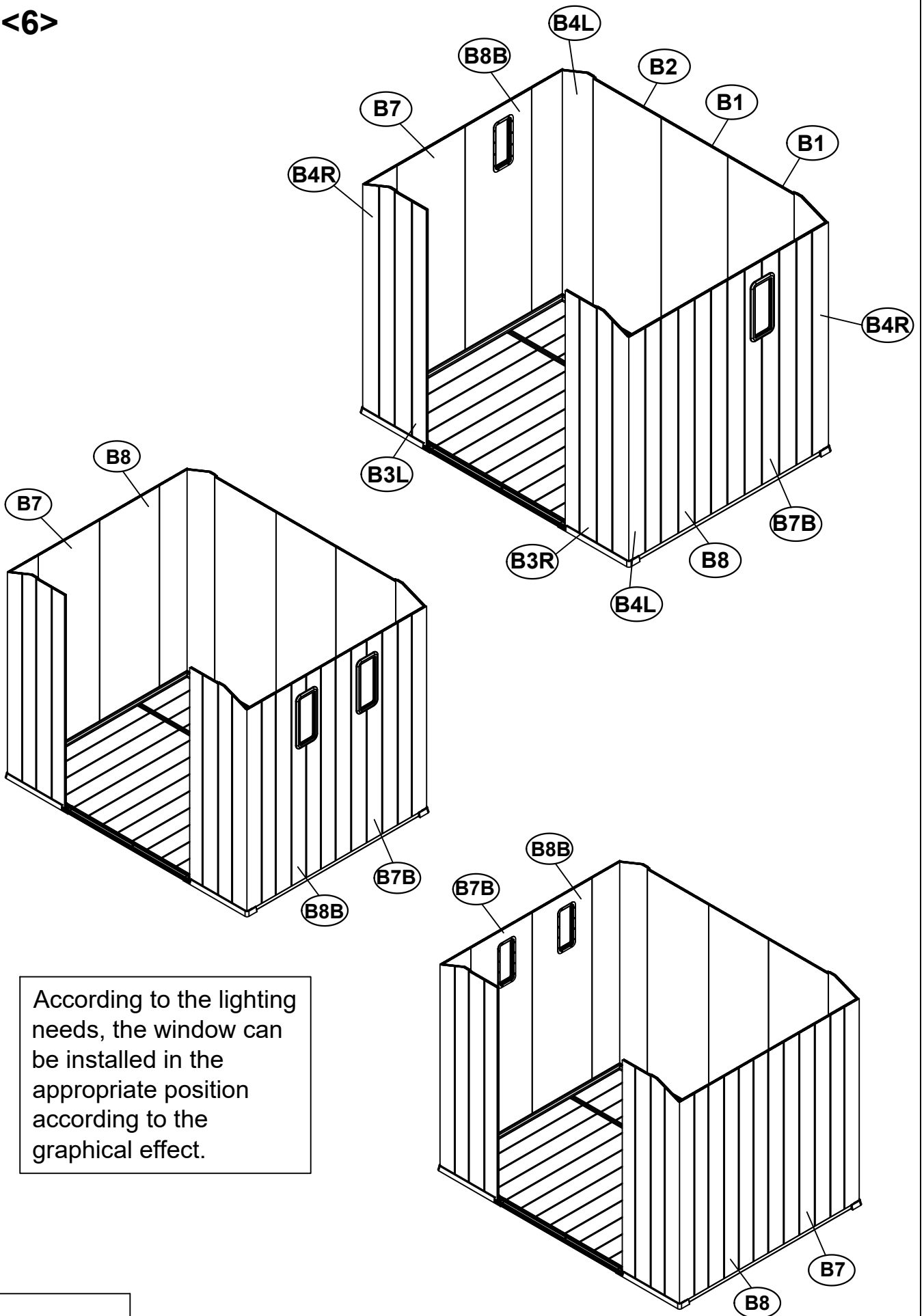
<5>



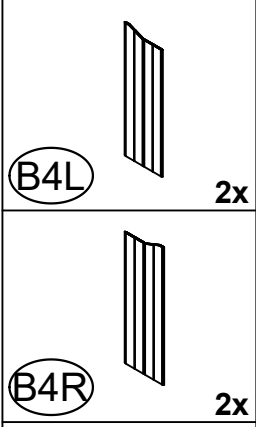
Push the bottom pipes #D1 and #D2 inward until they are flush with the floor. Then, secure them to the ground with self-tapping screws.



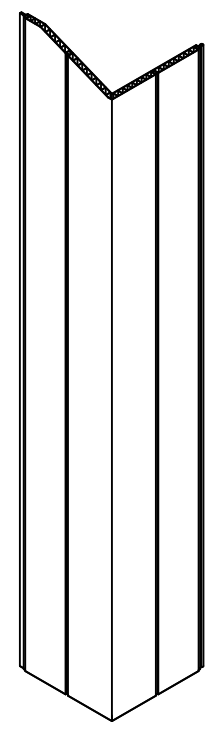
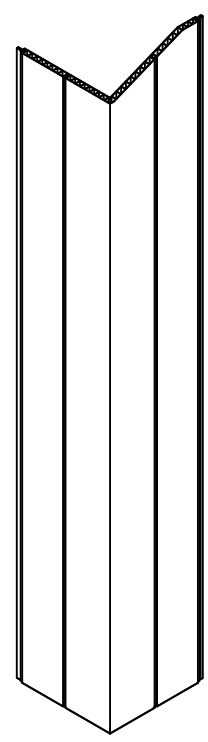
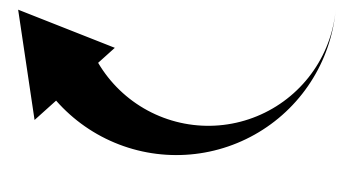
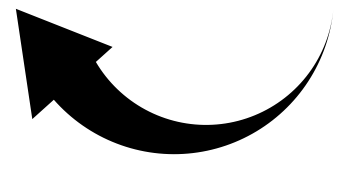
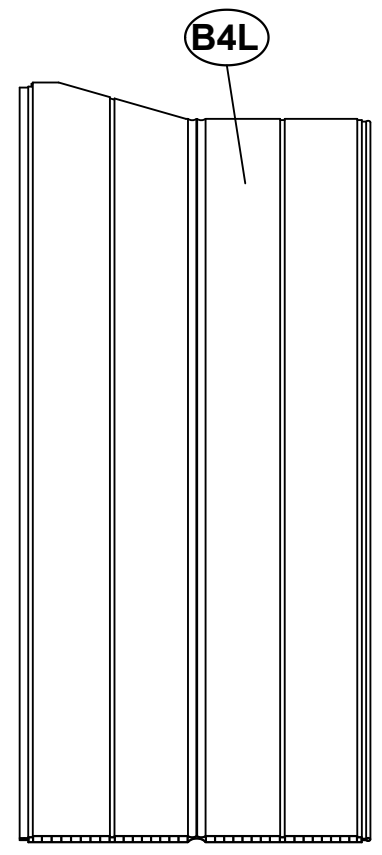
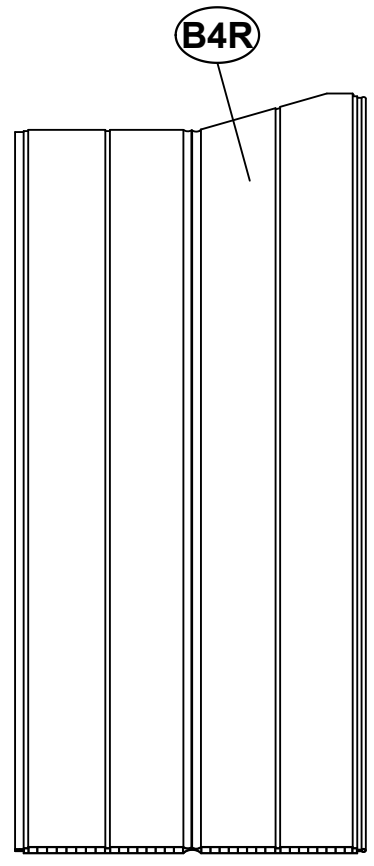
<6>



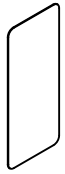

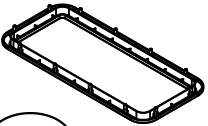





According to the lighting needs, the window can be installed in the appropriate position according to the graphical effect.



<7>

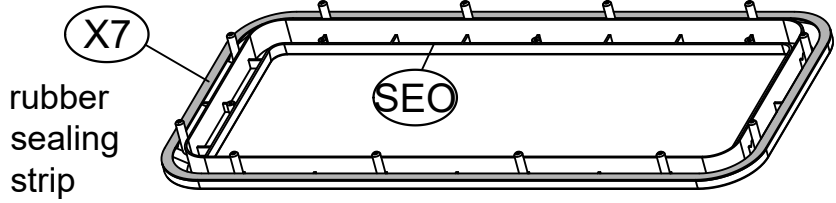


NOTE: Bend inward, the smooth surface is on the inside. Please use the plastic guide pieces to help insert the wall panels to the bottom

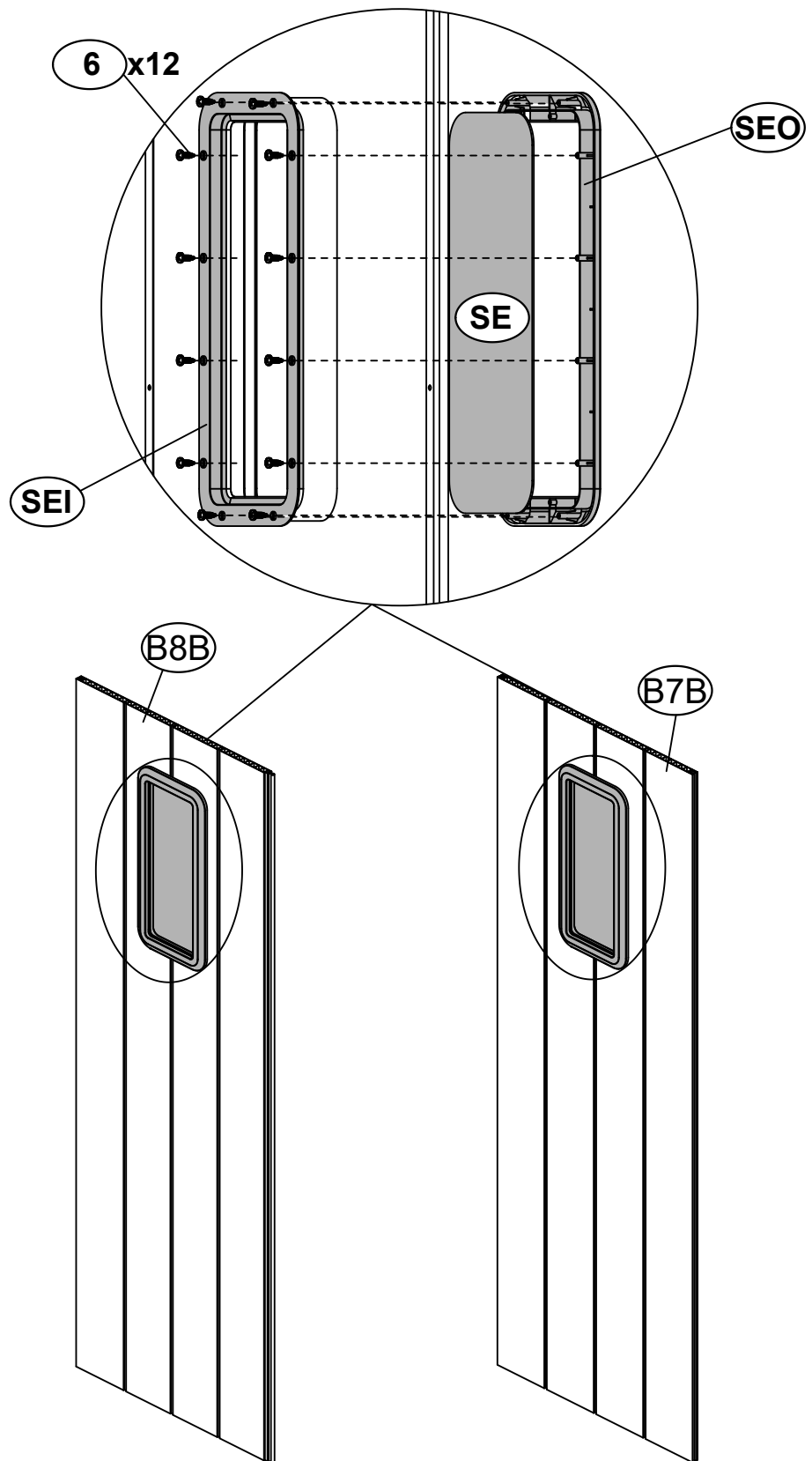
	SE	2x
	SEI	2x
	SEO	2x
	B7B	1x
	B8B	1x
	X7	1x
	ST2.8x12	
	6	24x






<8>

1



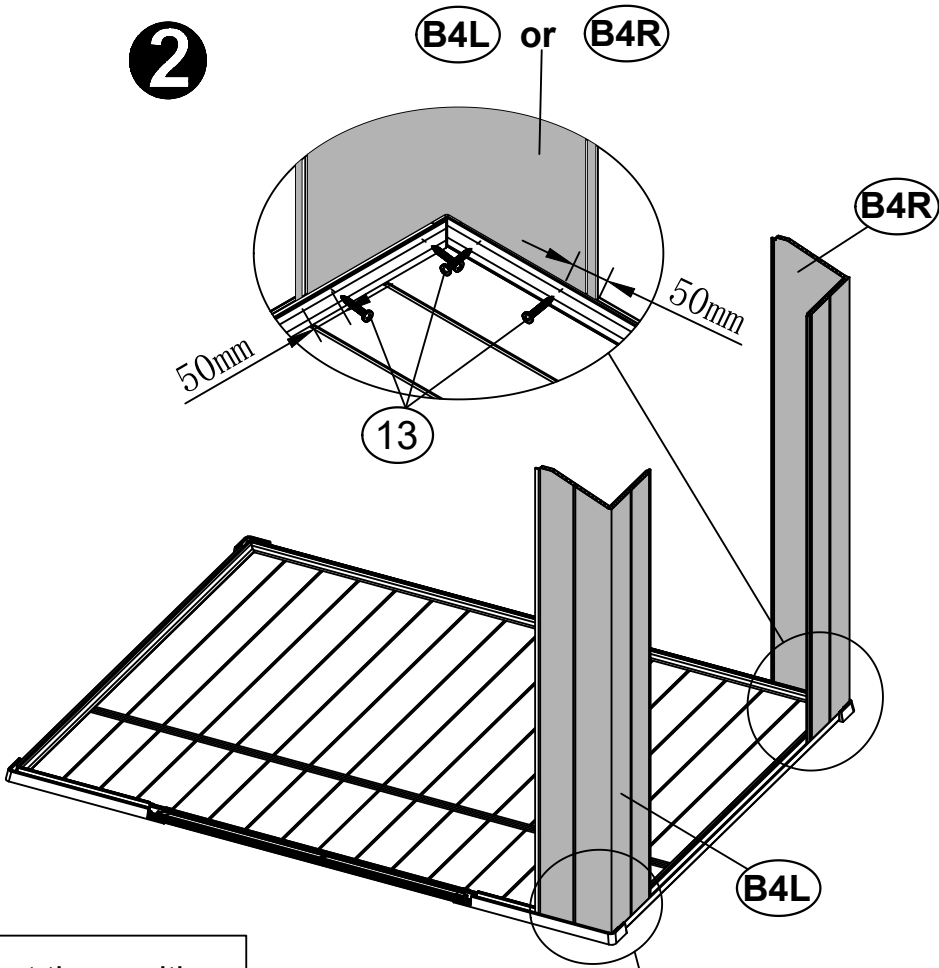
2



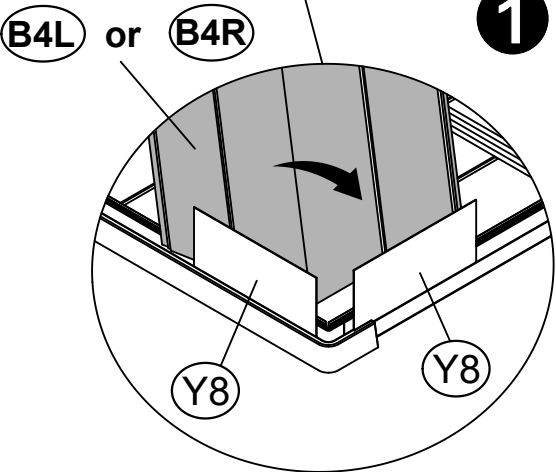
-  (B4L) 1x
-  (B4R) 1x
-  (Y8) 2x
-  ST3.8x20
-  (13) 8x

<9>

2

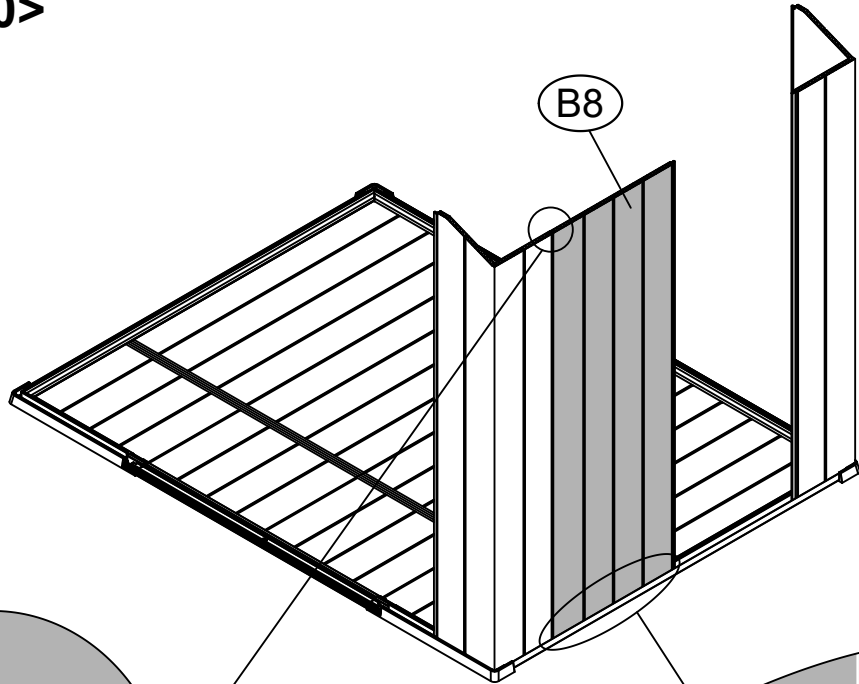
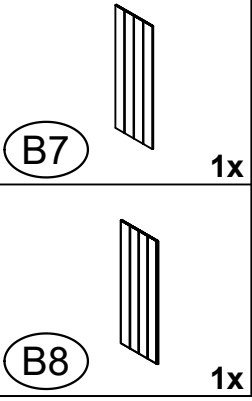


1

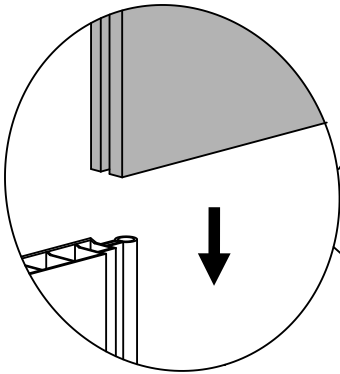


Place 2pcs #Y8 at the position shown in Figure 1. First, tilt the left turning corner #B4L or the right turning corner #B4R and insert them into one side, then insert them into the other side. After that, remove the #Y8. After gently tapping the turning corners until they are in place, follow Figure 2 to fix the left and right turning corners with the bottom frame using 8ps #13 screws.

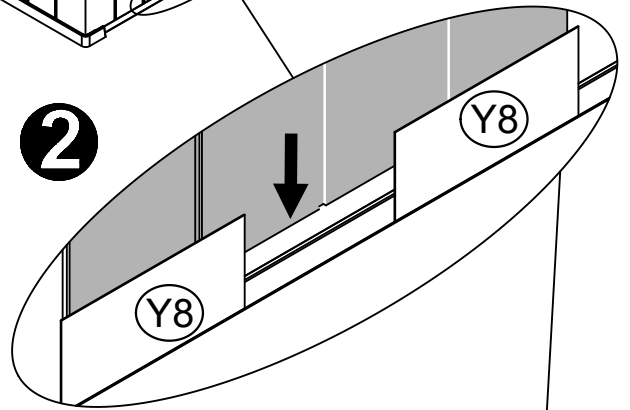
<10>



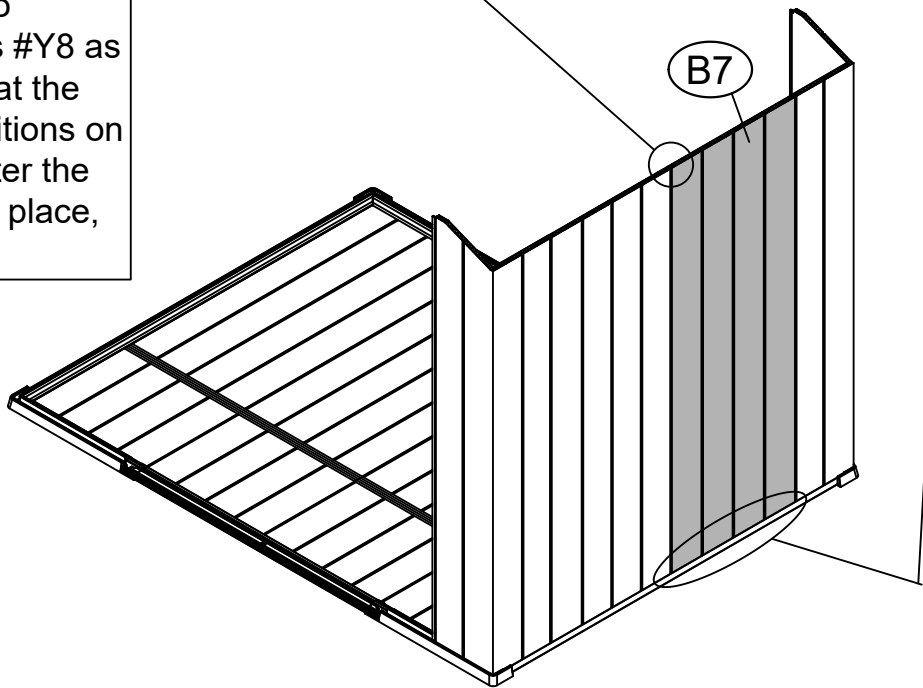
1






2

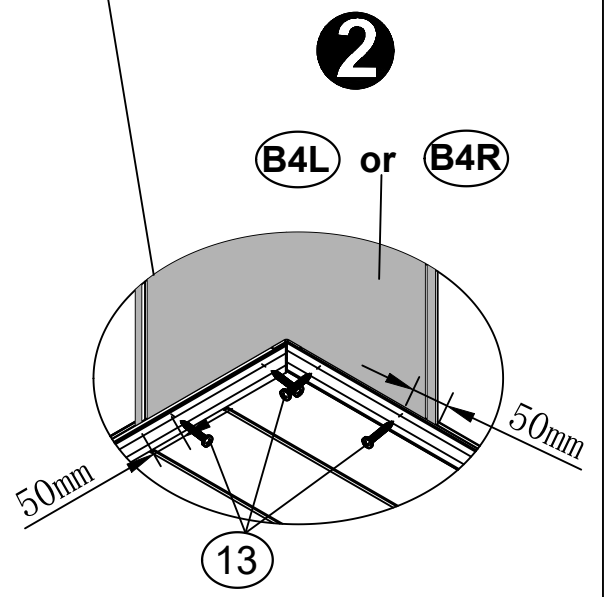
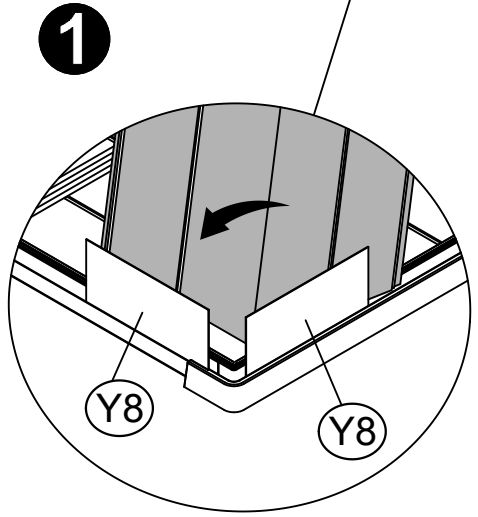
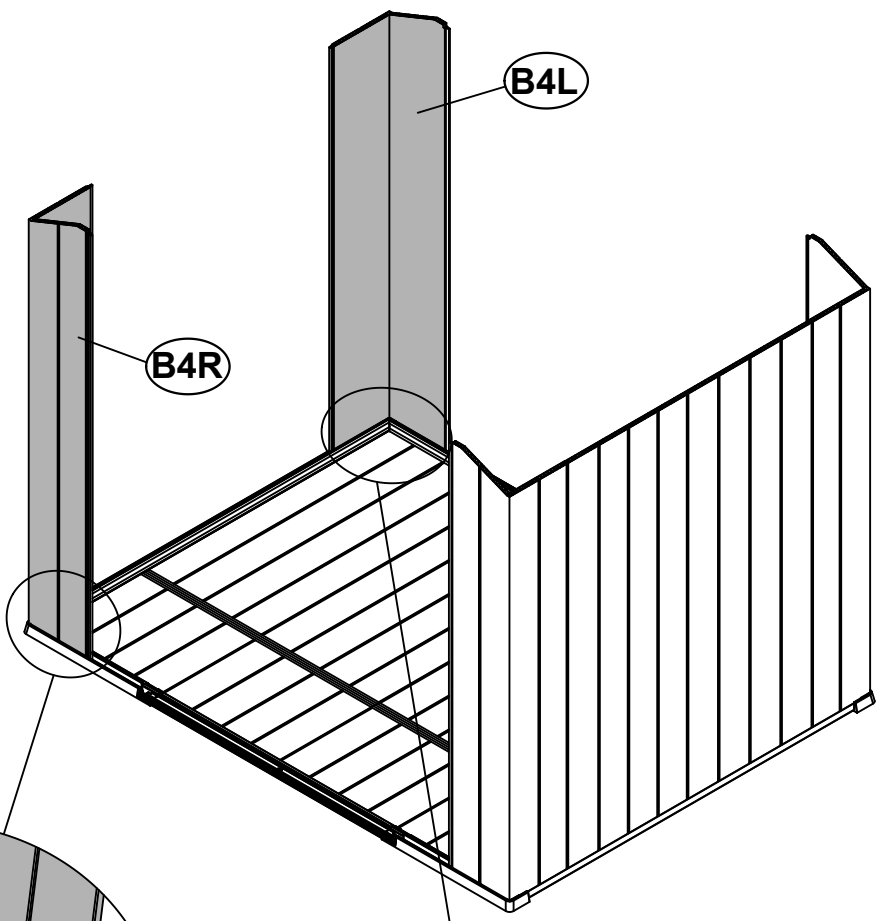


Insert panel #B7 or #B8 along the slot as shown in Figure 1 from top to bottom. Place 2pcs #Y8 as shown in Figure 2 at the corresponding positions on the base frame. After the panel is inserted in place, pull out #Y8.



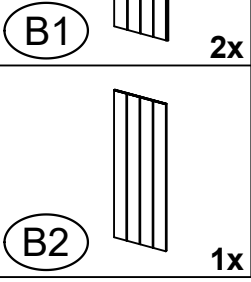
<11>

-  (B4L) 1x
-  (B4R) 1x
-  ST3.8x20 (13) 8x

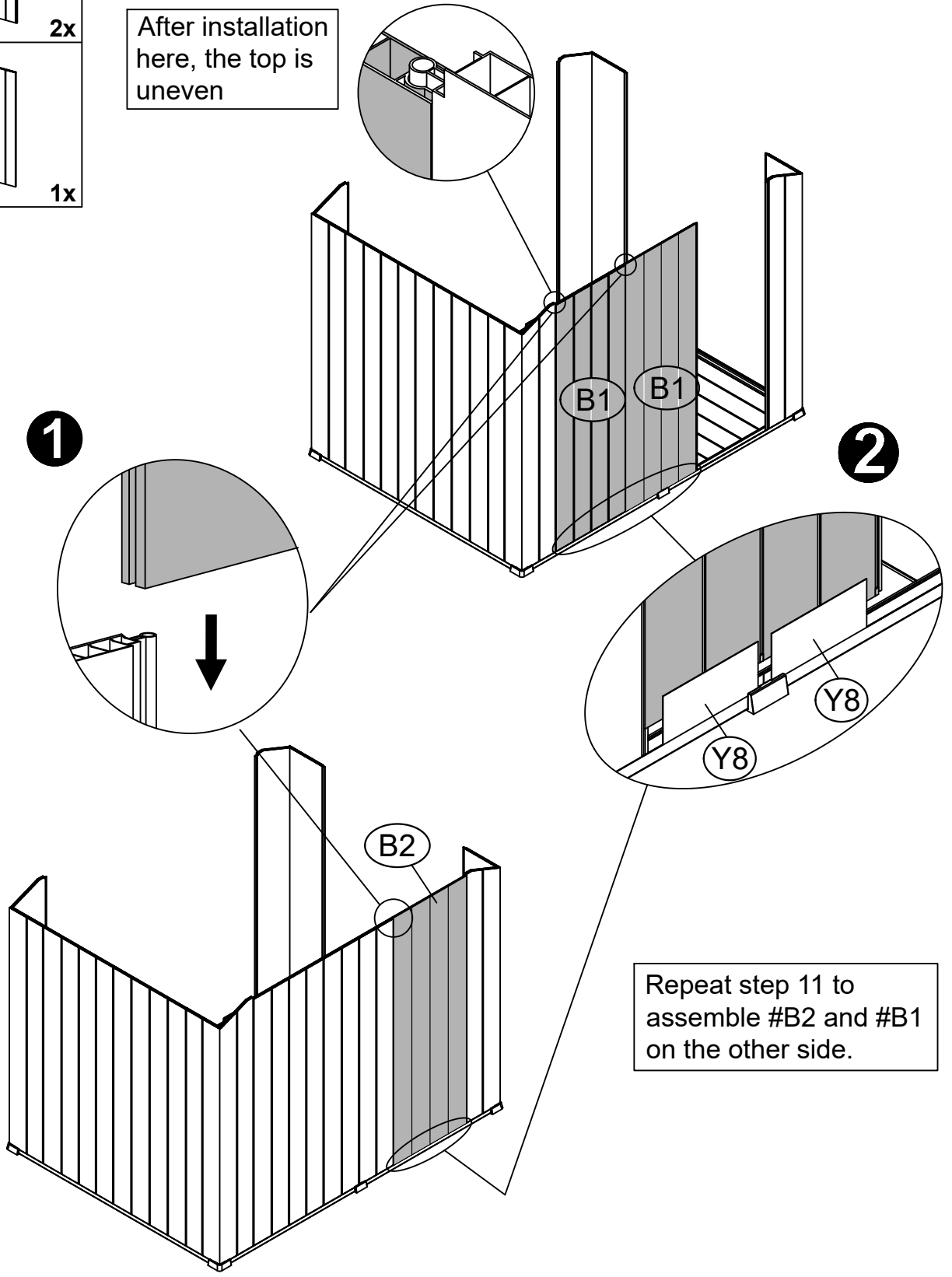


Repeat step 10 to assemble the left corner #B4L and the right corner #B4R on the other side.

<12>



After installation here, the top is uneven



Repeat step 11 to assemble #B2 and #B1 on the other side.

<13>

(B7B)



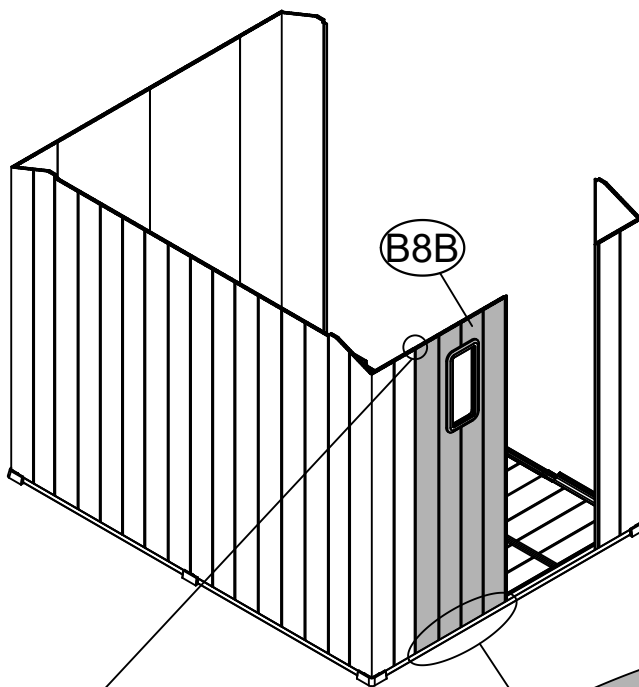
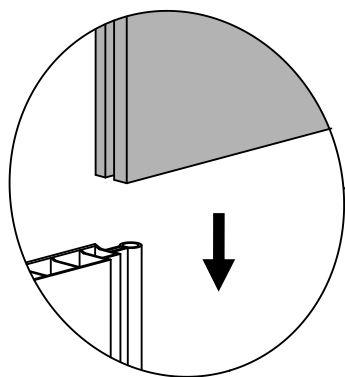
1x

(B8B)

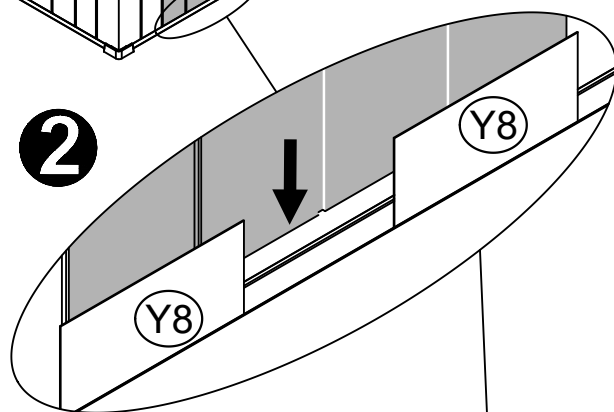


1x

1

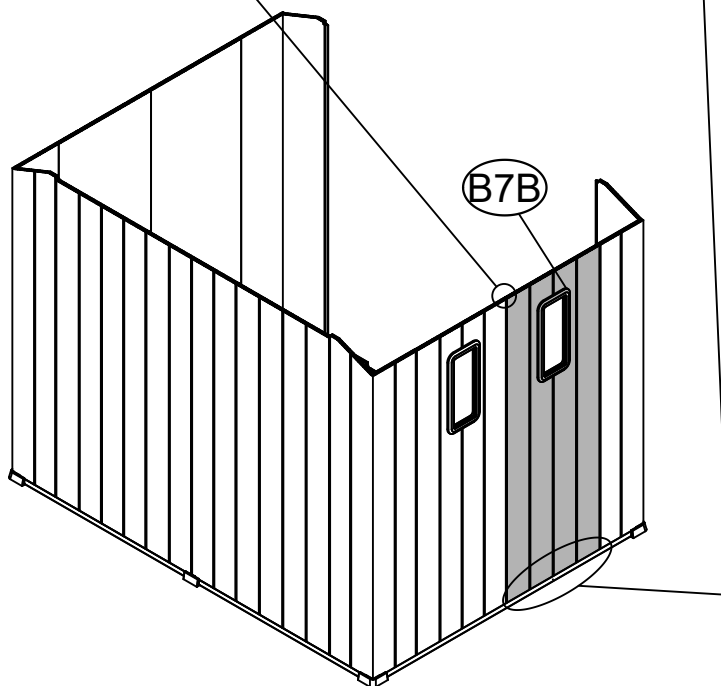


2



Repeat step 11 to assemble #B7B and #B8B on the other side.

(B7B)



<14>

(B3L)



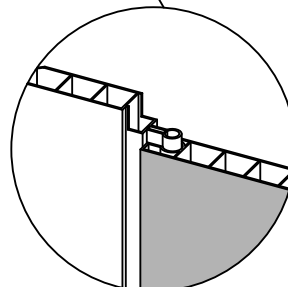
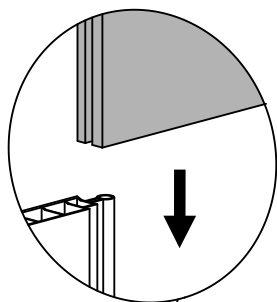
1x

(B3R)



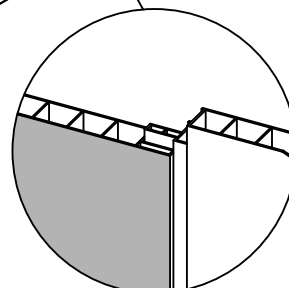
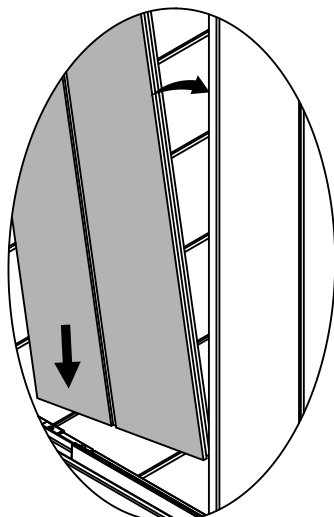
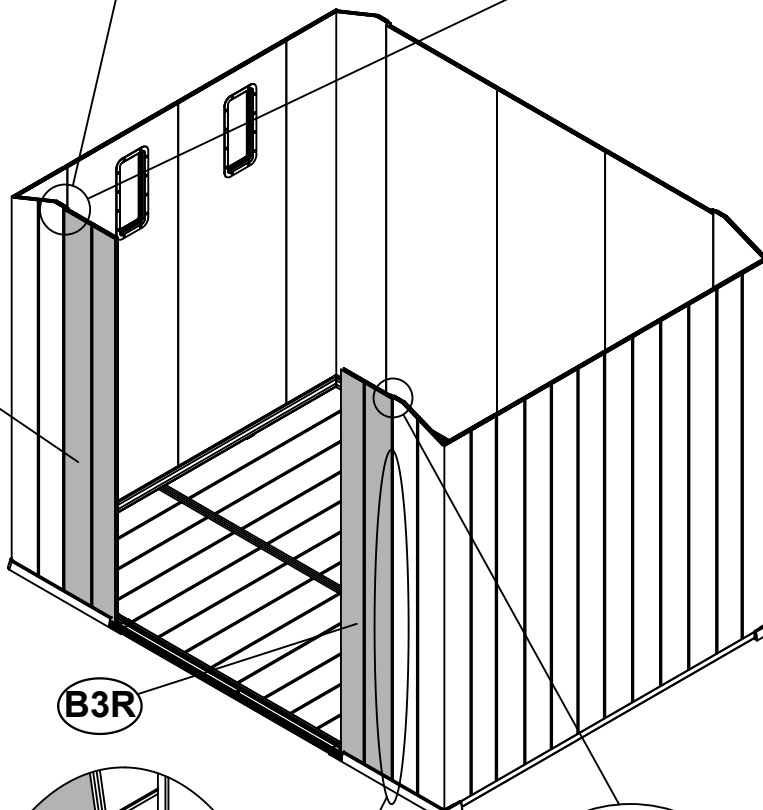
1x

After installation here,
the top is uneven



(B3L)

(B3R)



After installation here,
the top is uneven



ST3.8x12

1

48x

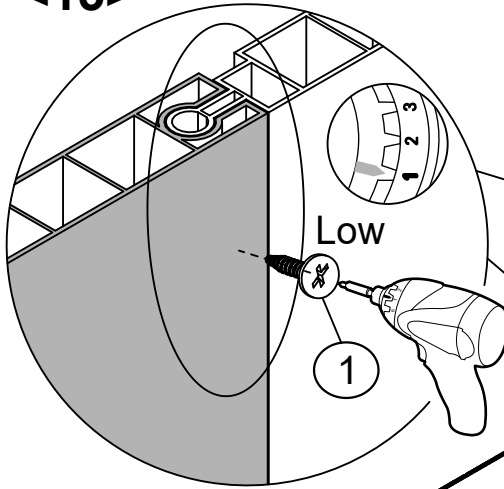


ST3.8x20

13

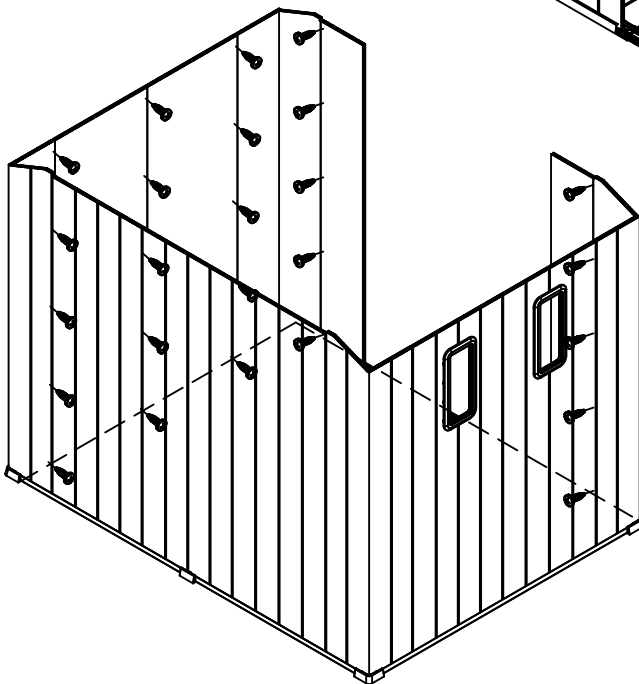
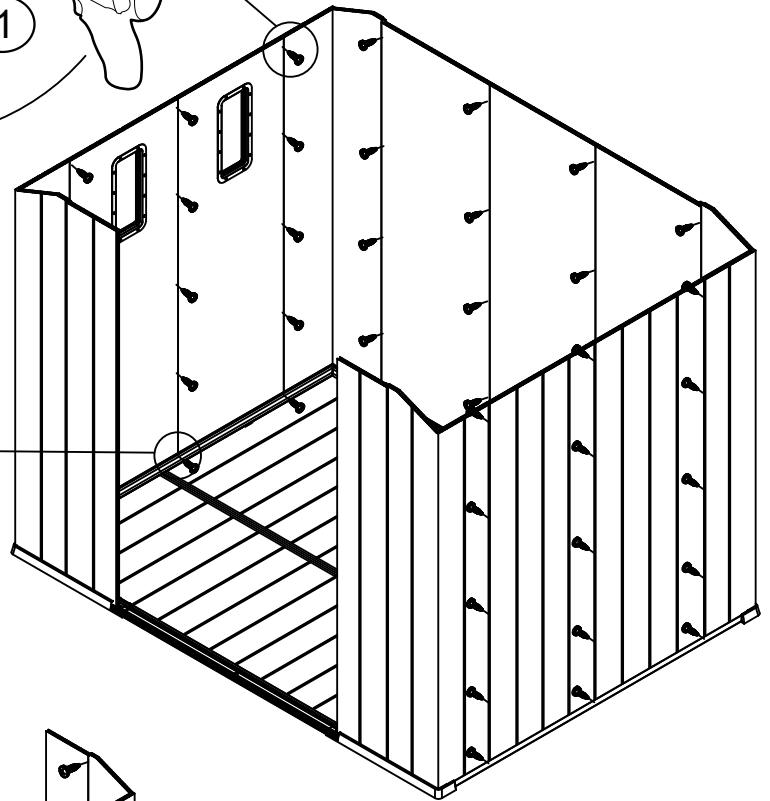
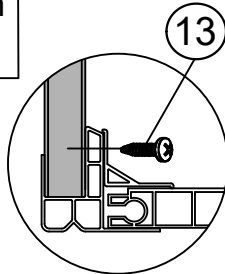
12x

<15>

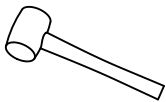


The screw is screwed in at the junction of the board

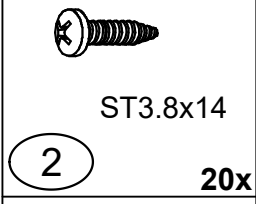
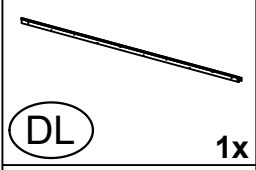
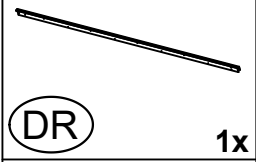
Install #13 screws around the bottom edges.



Tool:



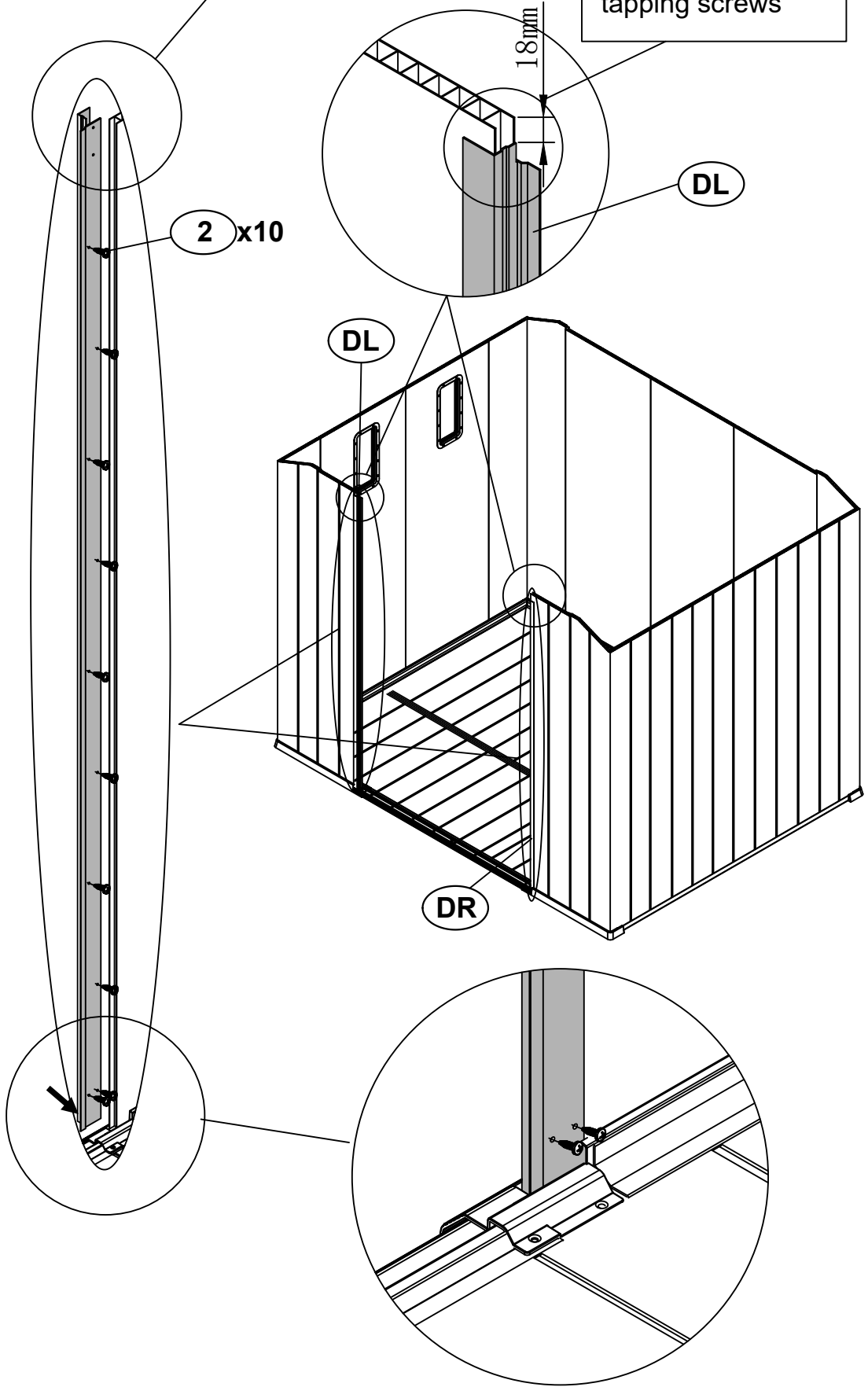
Gently tap the top of each panel with a hammer to ensure they are all at the same level (except for the specially marked positions). Then screw in the screws for fixation. If there is slight deformation or damage at the ends of the components due to the tapping, it will not affect the assembly and use.



<16>

Do not screw the screw into the top hole first

Ensure proper installation before screwing in the self tapping screws



<17>



DT1 1x

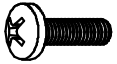


N1 1x



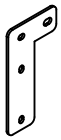
ST3.8x14

2 6x

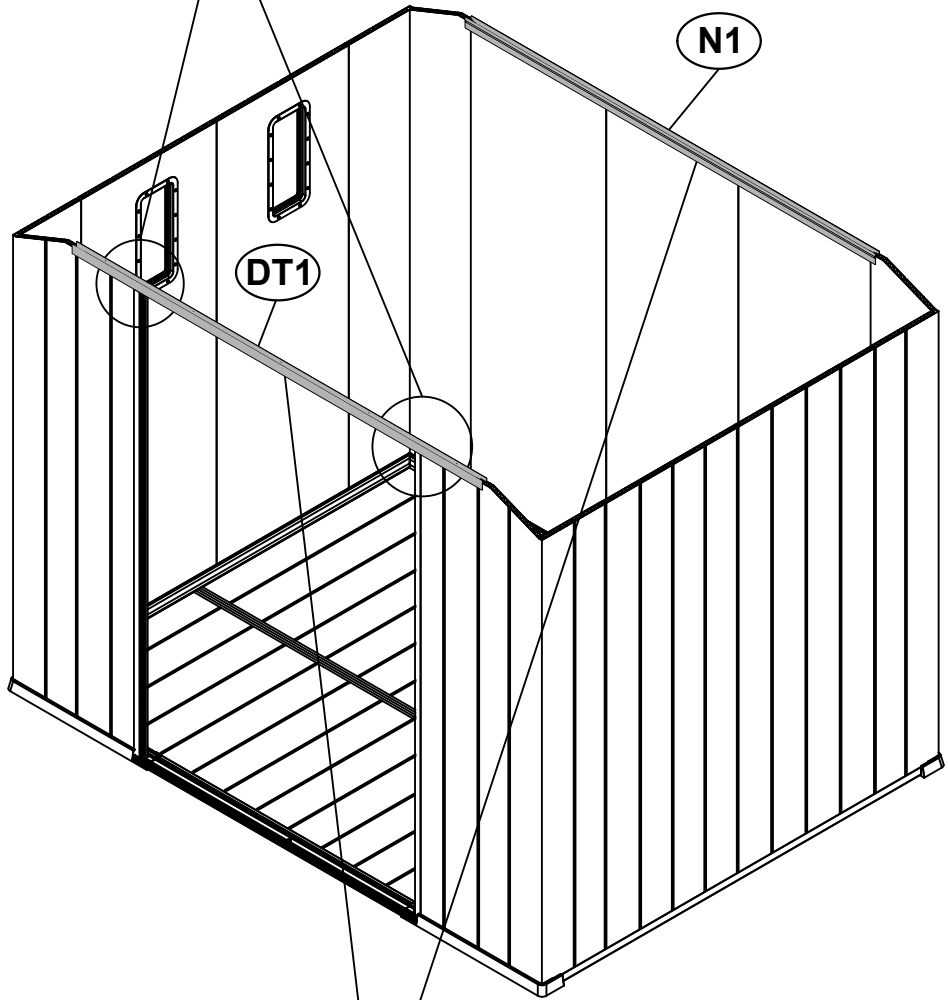
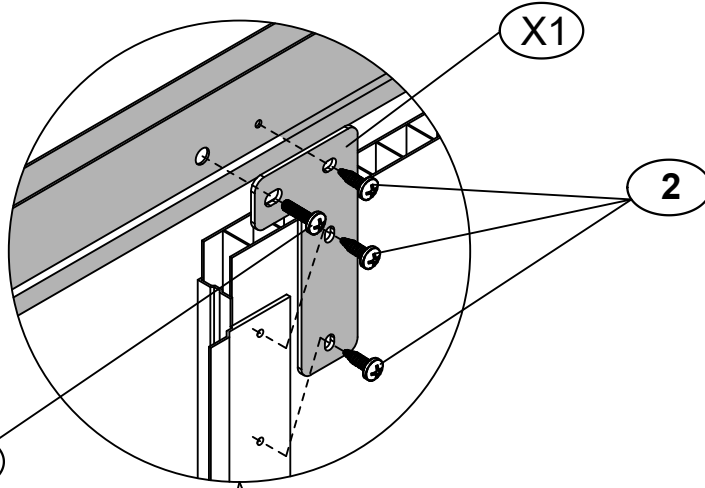


M6x15

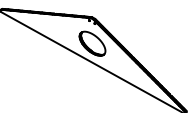
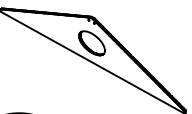
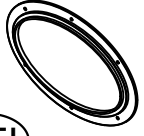



7 2x



X1 2x

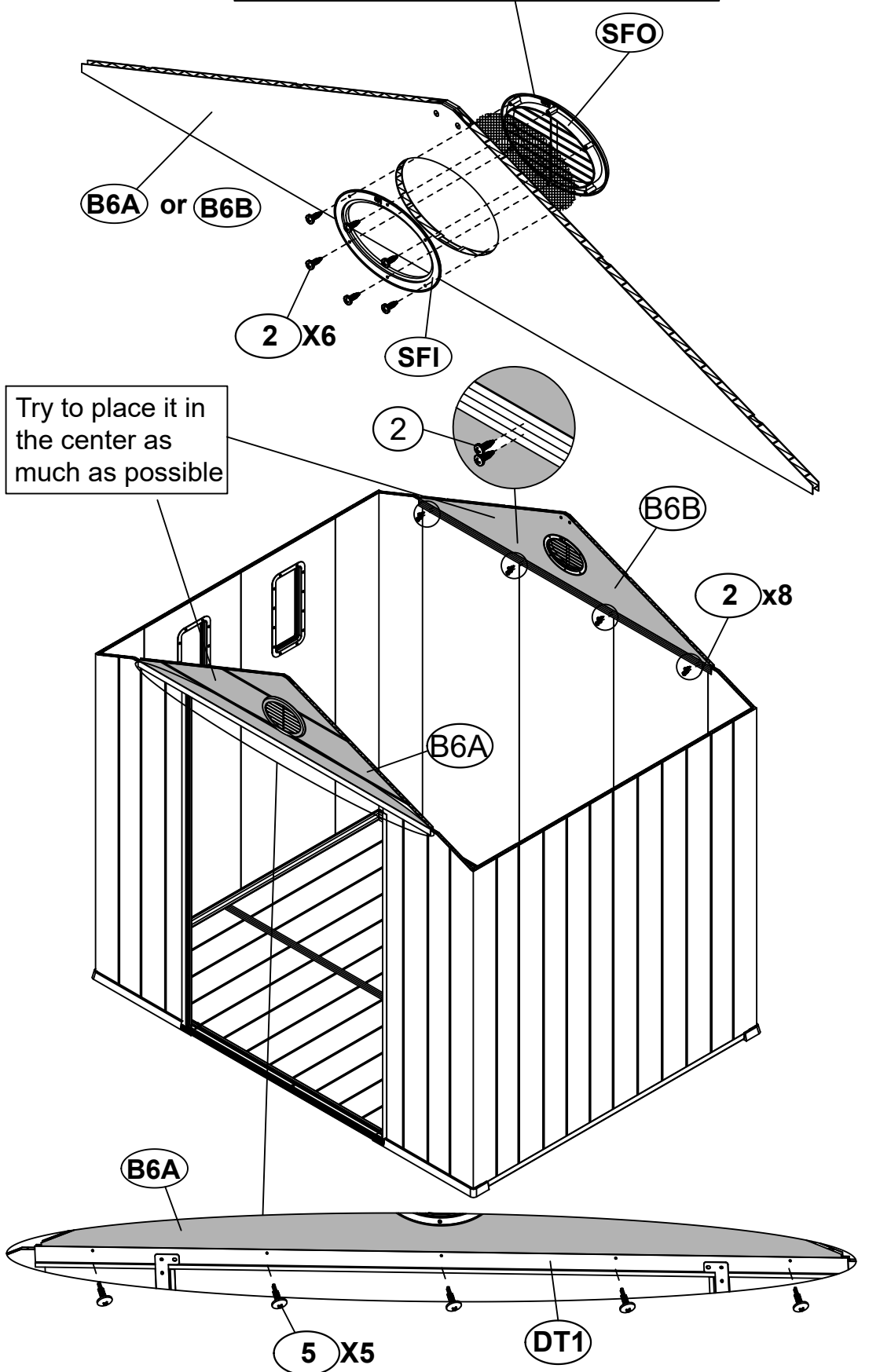


#DT1# and #N1# should be placed into the center as much as possible

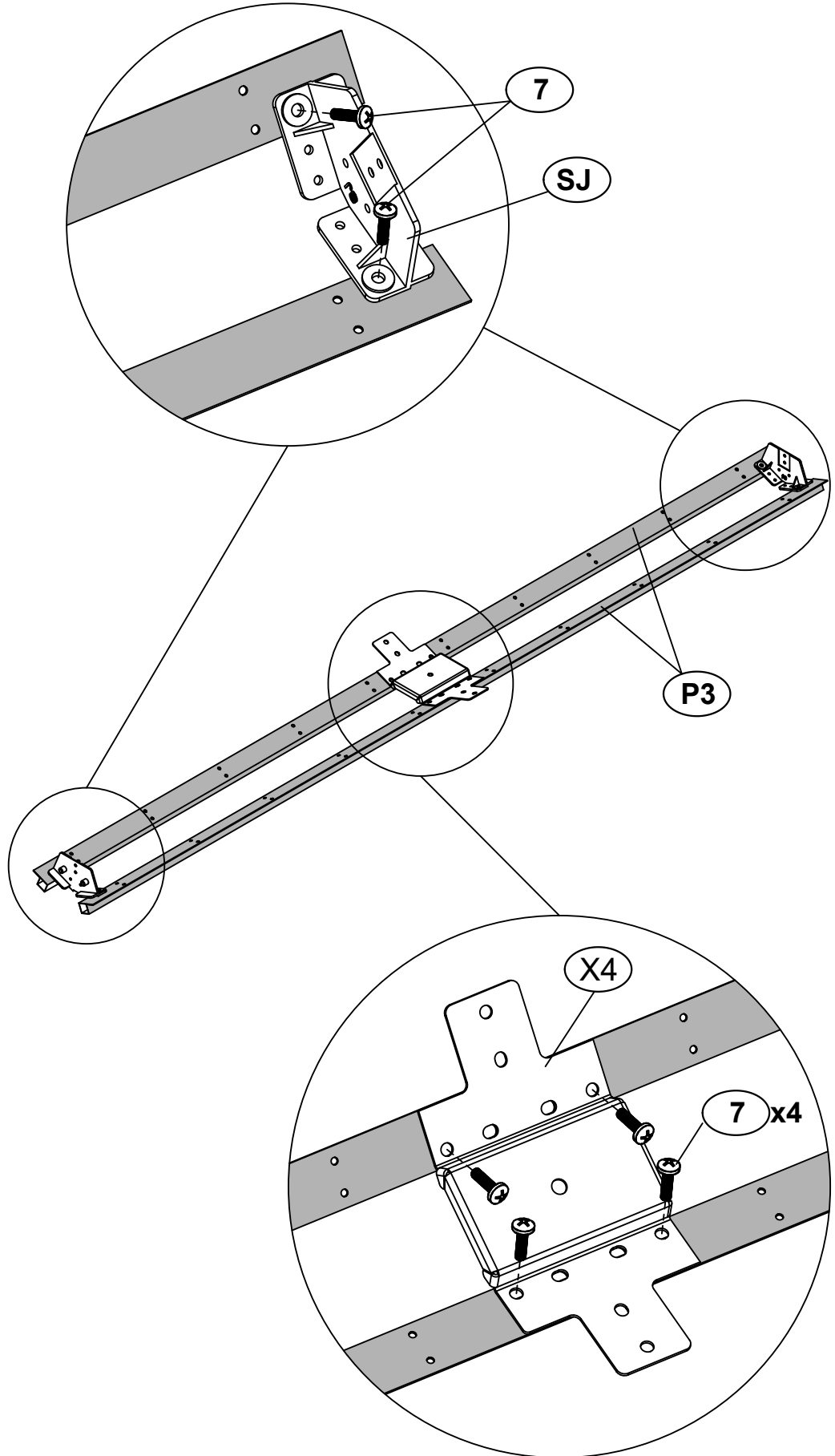
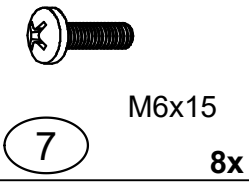
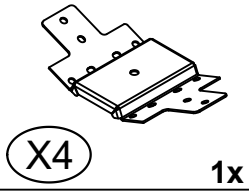
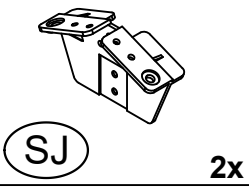
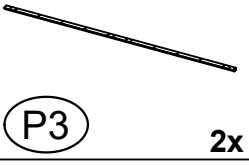
-  **(B6A)** 1x
-  **(B6B)** 1x
-  **(SFI)** 2x
-  **(SFO)** 2x
-  **(2)** ST3.8x14 20x
-  **(5)** ST4.2x16 5x

<18>

Pay attention to the direction of ventilation window. Vent Louvers should be angled down to prevent water leakage. The wrong installation will cause water in the house.



<19>



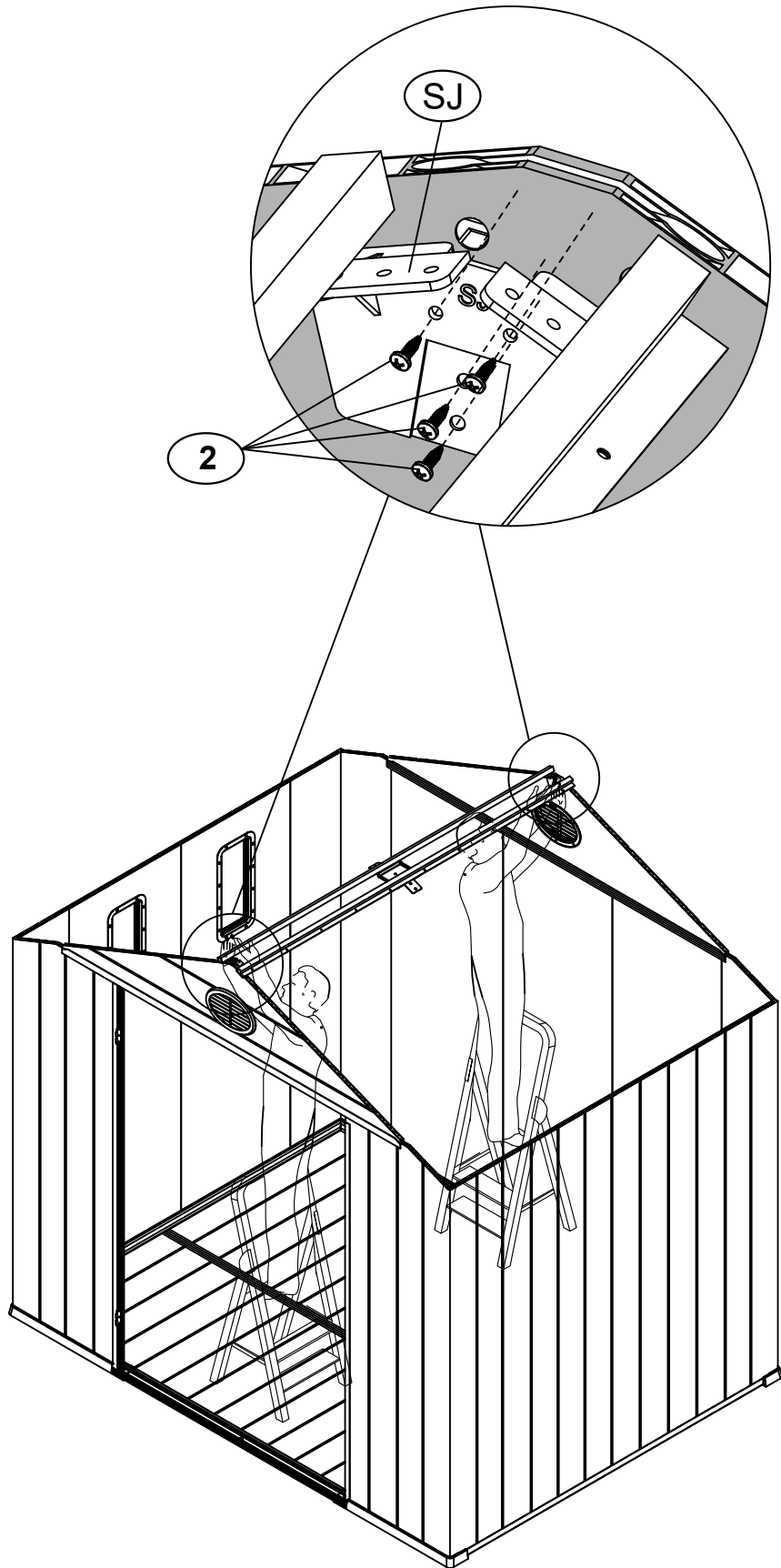


ST3.8x14

2

8x

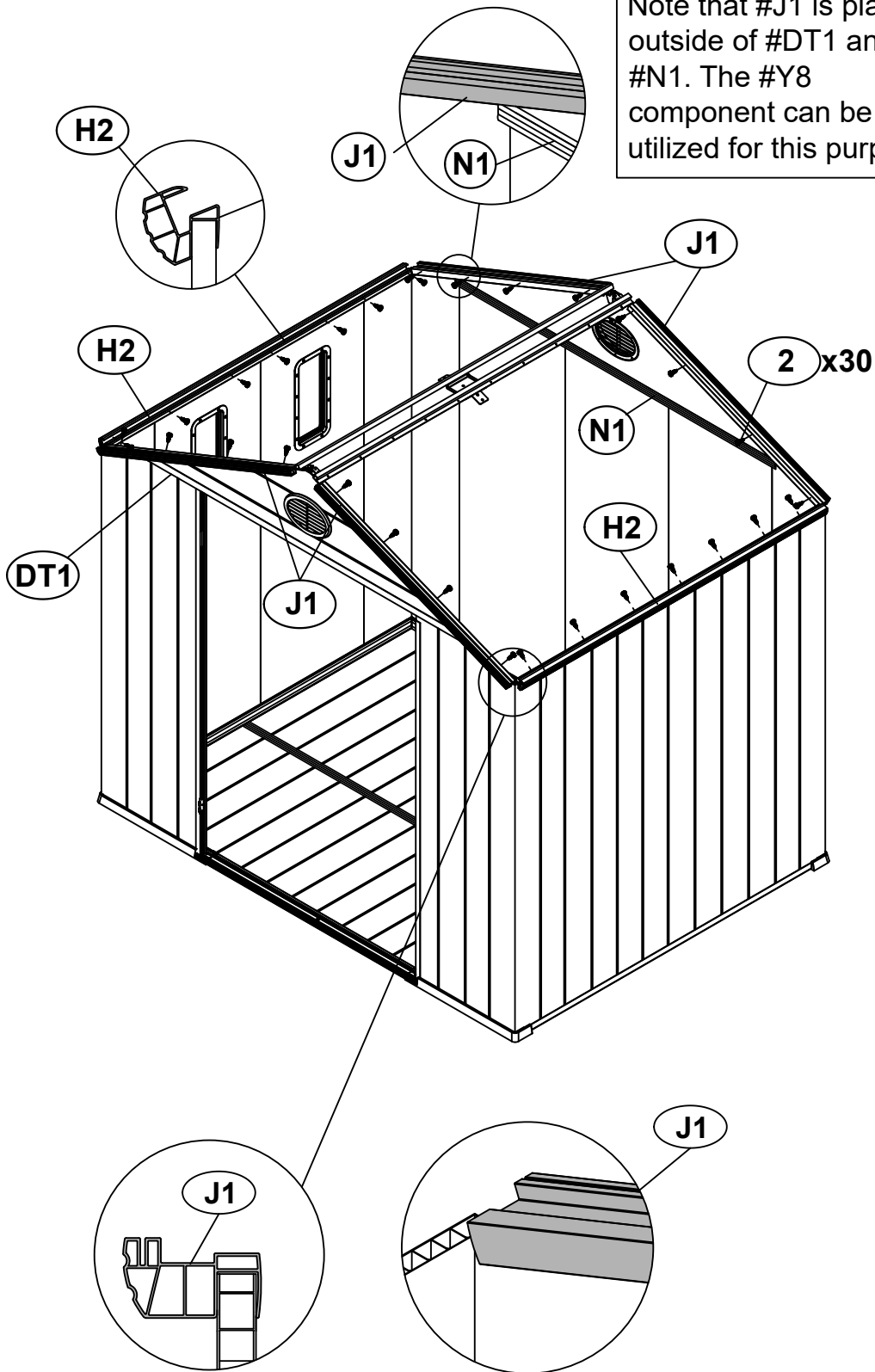
<20>




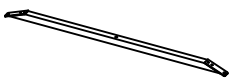


<21>

Note that #J1 is placed outside of #DT1 and #N1. The #Y8 component can be utilized for this purpose.

- H2 2x
- J1 4x
- ST3.8x14
- 2 30x

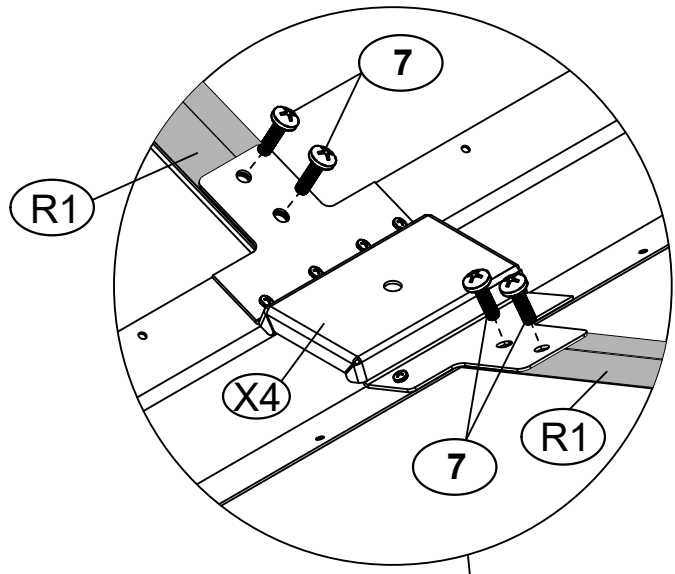


#J1# is placed tightly against the bottom edge

-  **R1** 2x
-  **T1** 1x
-  **7** 6x
-  **X4** 6x15

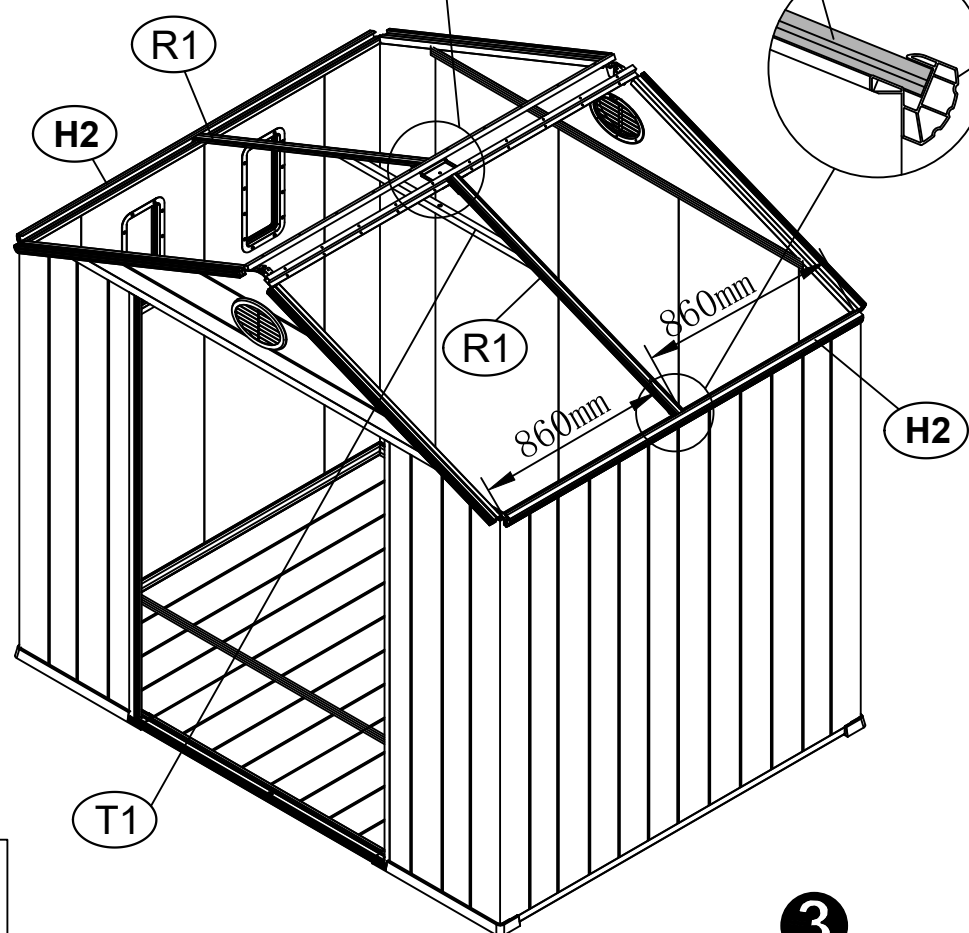
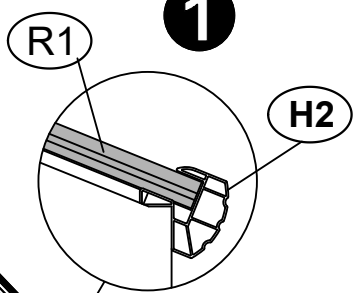
<22>

2

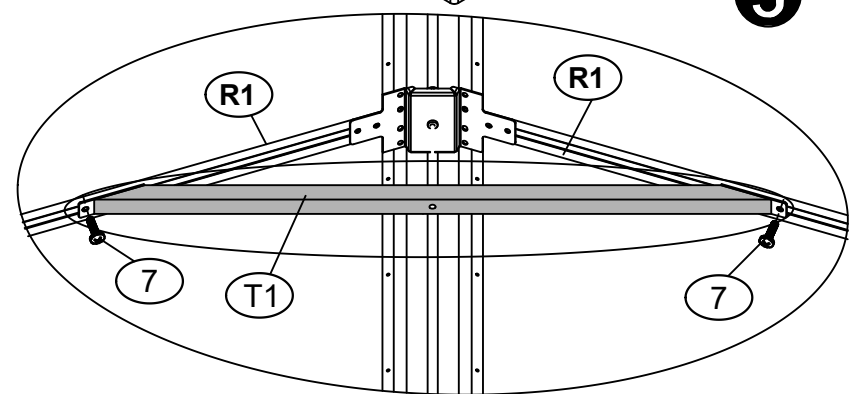


Insert the end of #R1 into the horizontal tube #H2 and position it centrally. Then, assemble #R1 and #X4 together using 4pcs #7 screws.

1



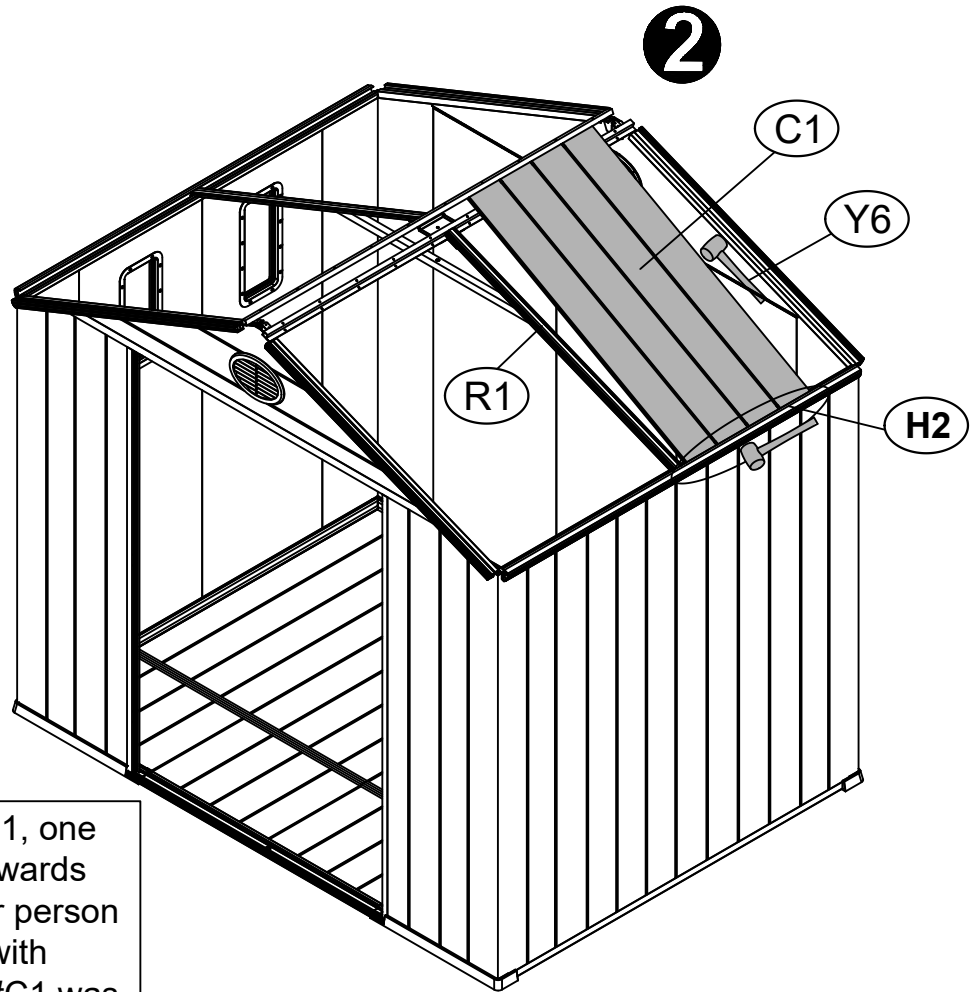
3



During installation, the top should be raised to align #T1# with the hole position

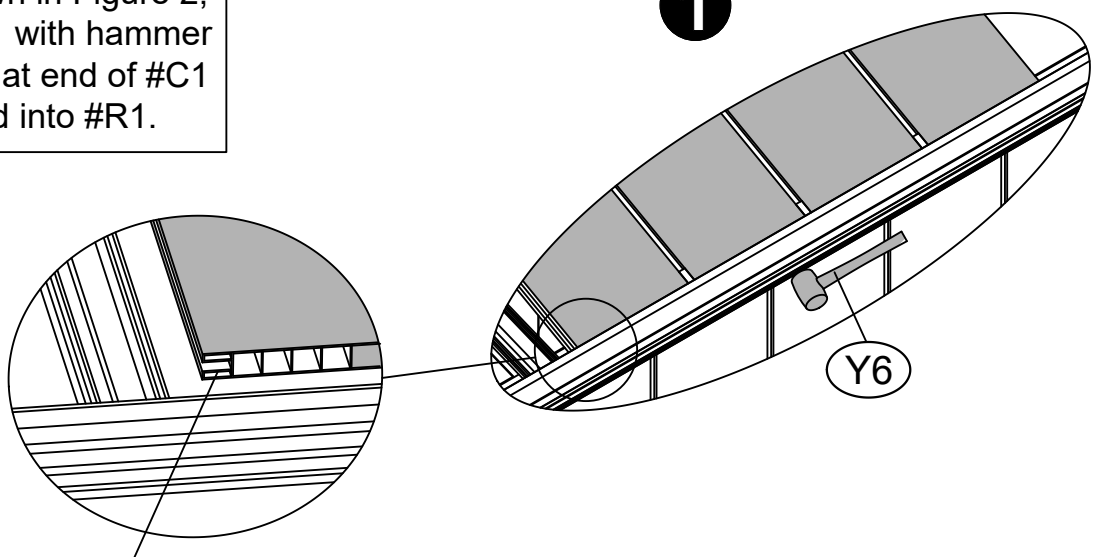
<23>

C1 1x



As shown in Figure 1, one person tilted #C1 towards #H2, while the other person gently tapped #H2 with hammer #Y6, until #C1 was completely inserted into #H2. Then, as shown in Figure 2, gently tap #C1 with hammer #Y6 until the flat end of #C1 is fully inserted into #R1.

1

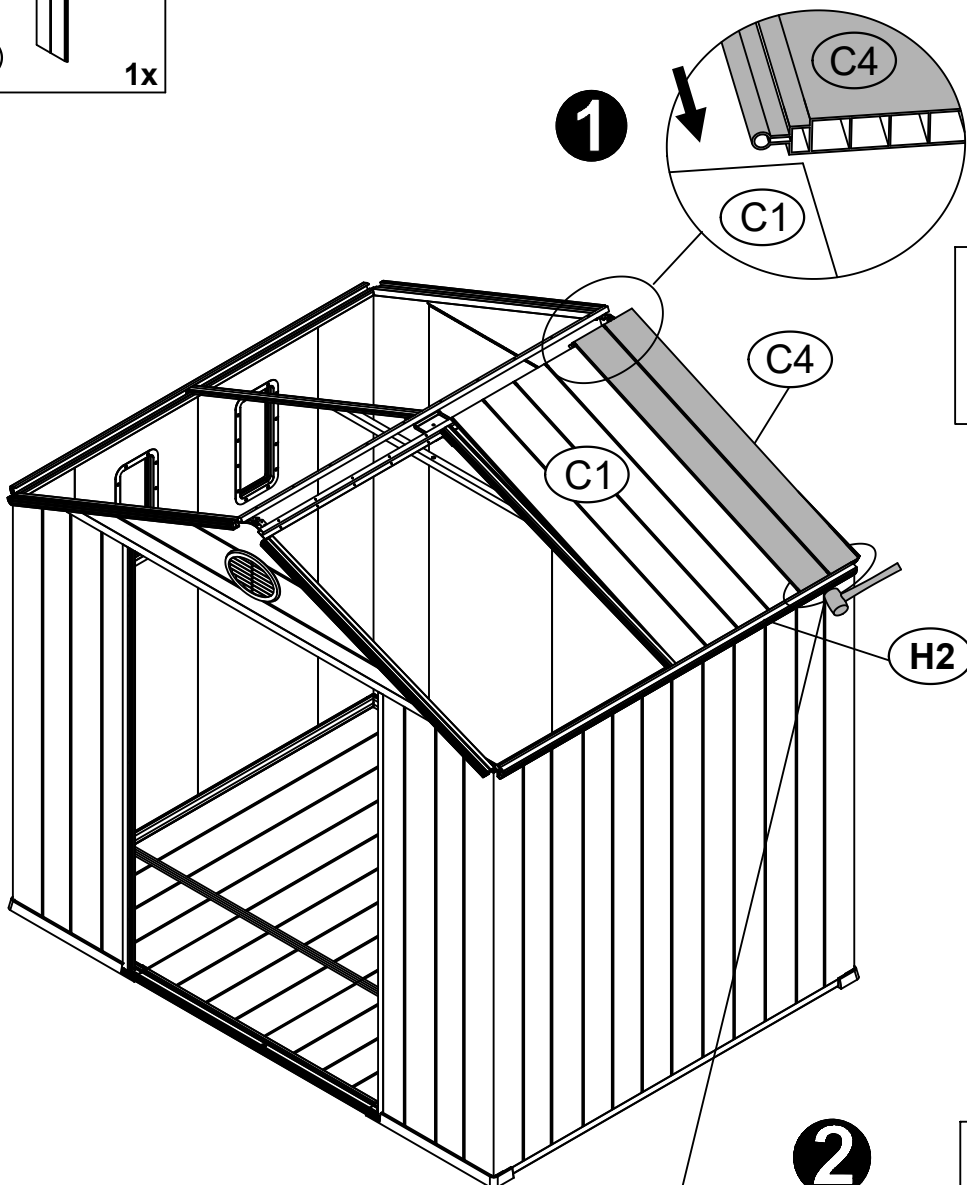


Flat opening

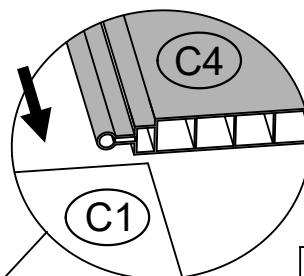
<24>

C4

1x

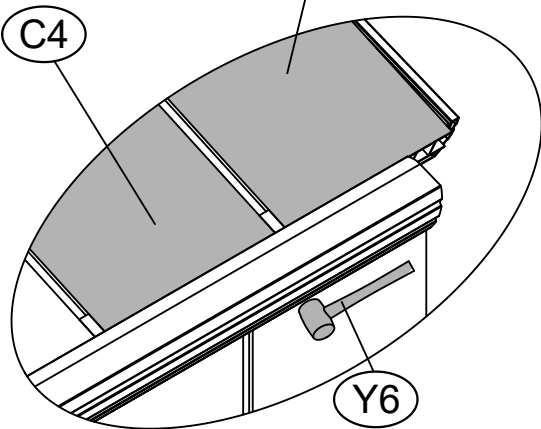


1



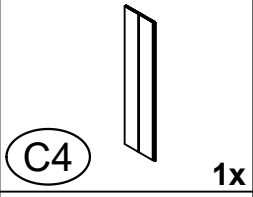
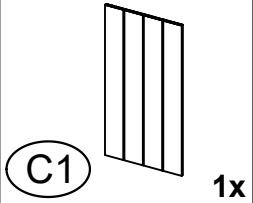
Lift #C1 and insert #C4 from the top along the guide slot.

2

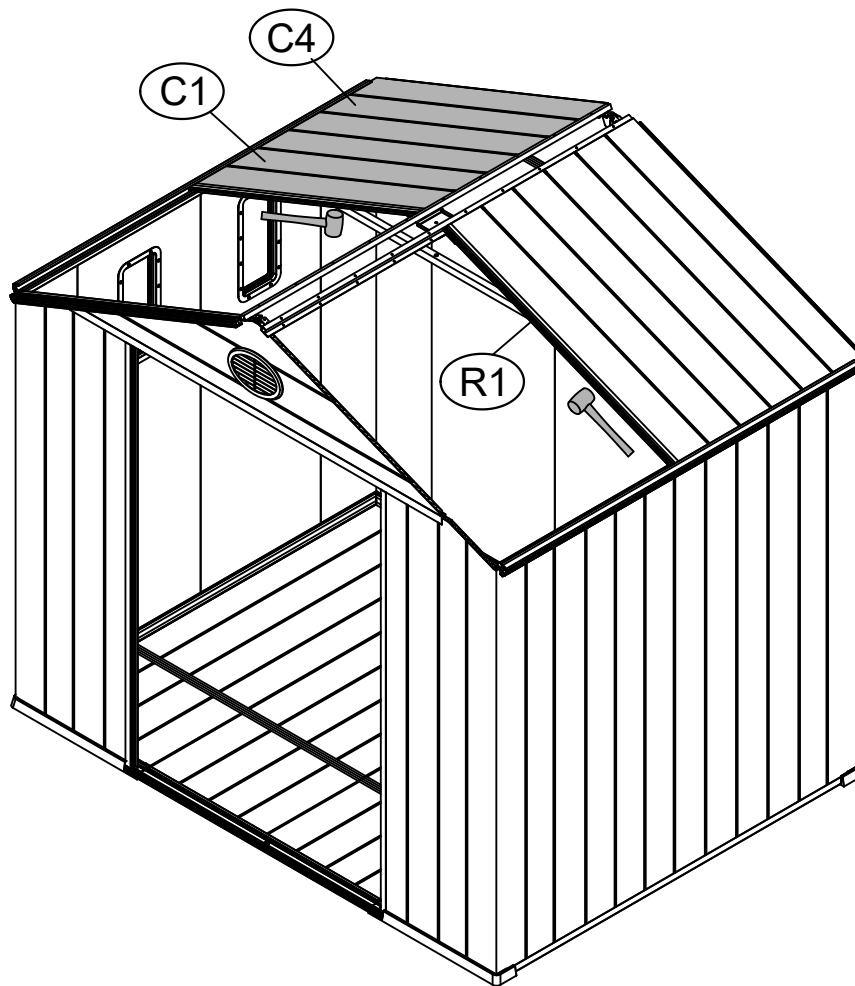


Tap #H2 gently with a hammer until #C4 is fully inserted into #H2.

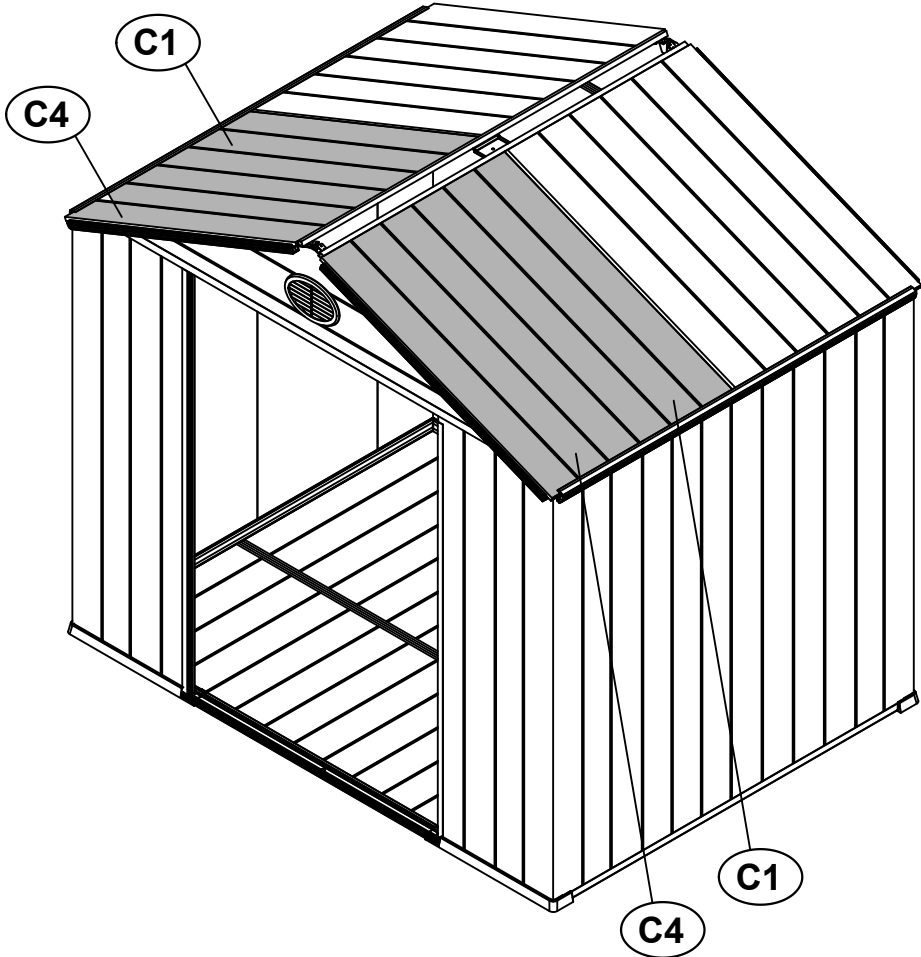
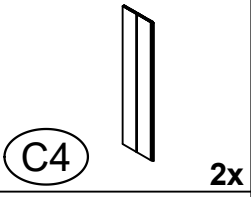
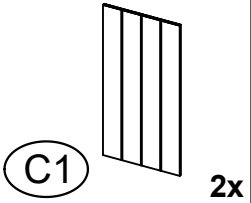
<25>



Repeat steps 24 and 25, assemble #C1 and #C4 together, then gently tap #R1 with hammer #Y6 to ensure that #C4 aligns with the side tube #J1. Avoiding the situation where #R1 is not centered will prevent any issues in the subsequent installation.



<26>

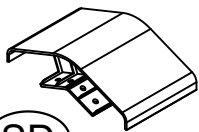


Repeat steps 24, 25, and 26, and assemble the #C1 and #C4 on the other side.



Q4

2x



SD

1x

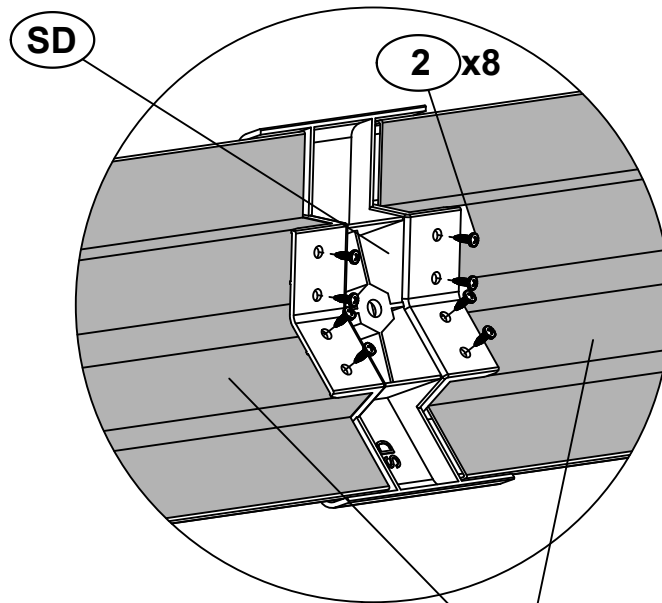


ST3.8x14

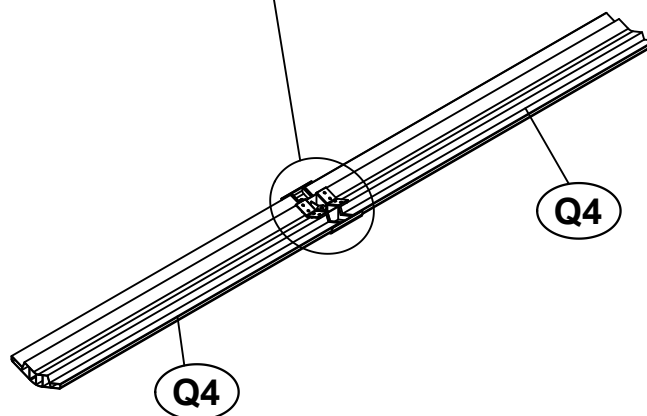
2

8x

<27>



Q4



Q4

Q4



ST3.8x14

2

8x



M8x45

10

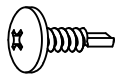
1x



ST4.8x32

4

20x



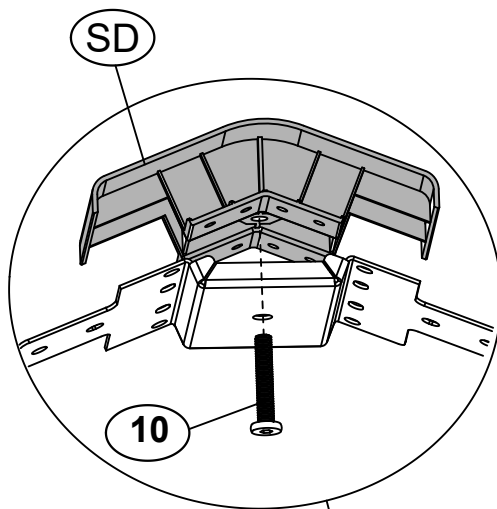
ST4.2x16

5

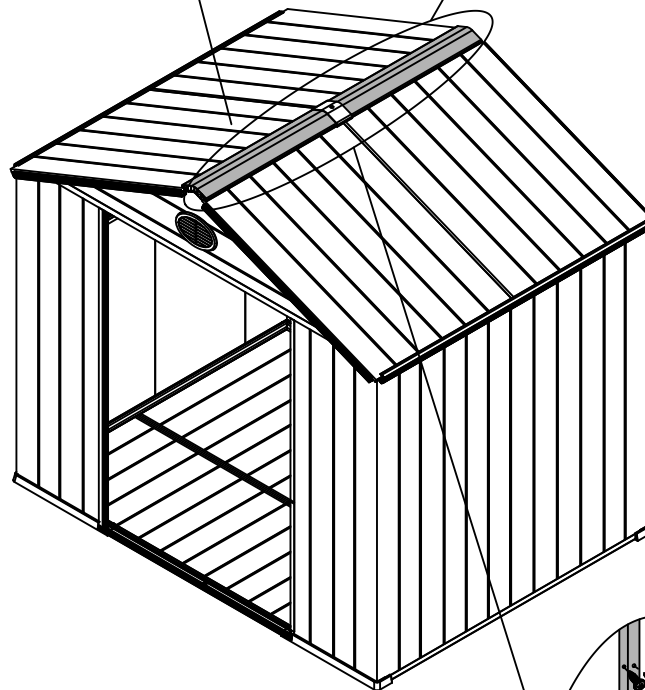
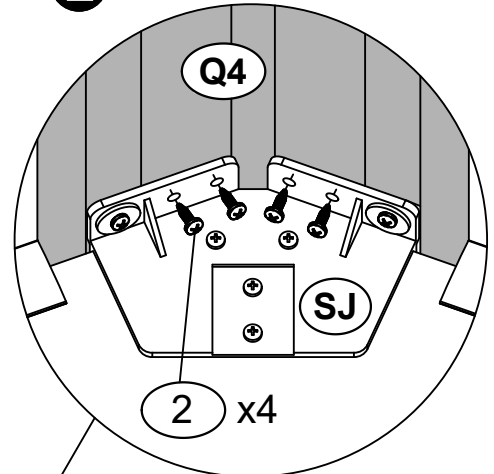
20x

<28>

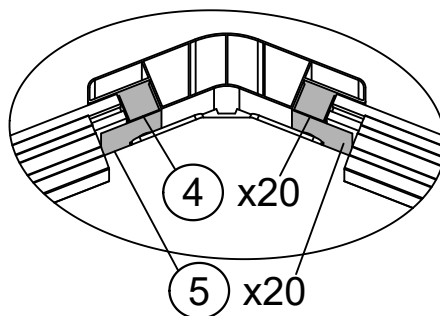
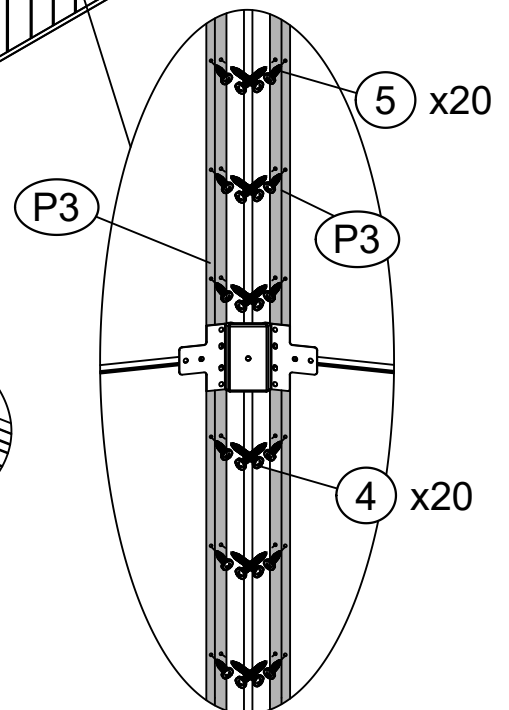
1



2



3





K1

4x

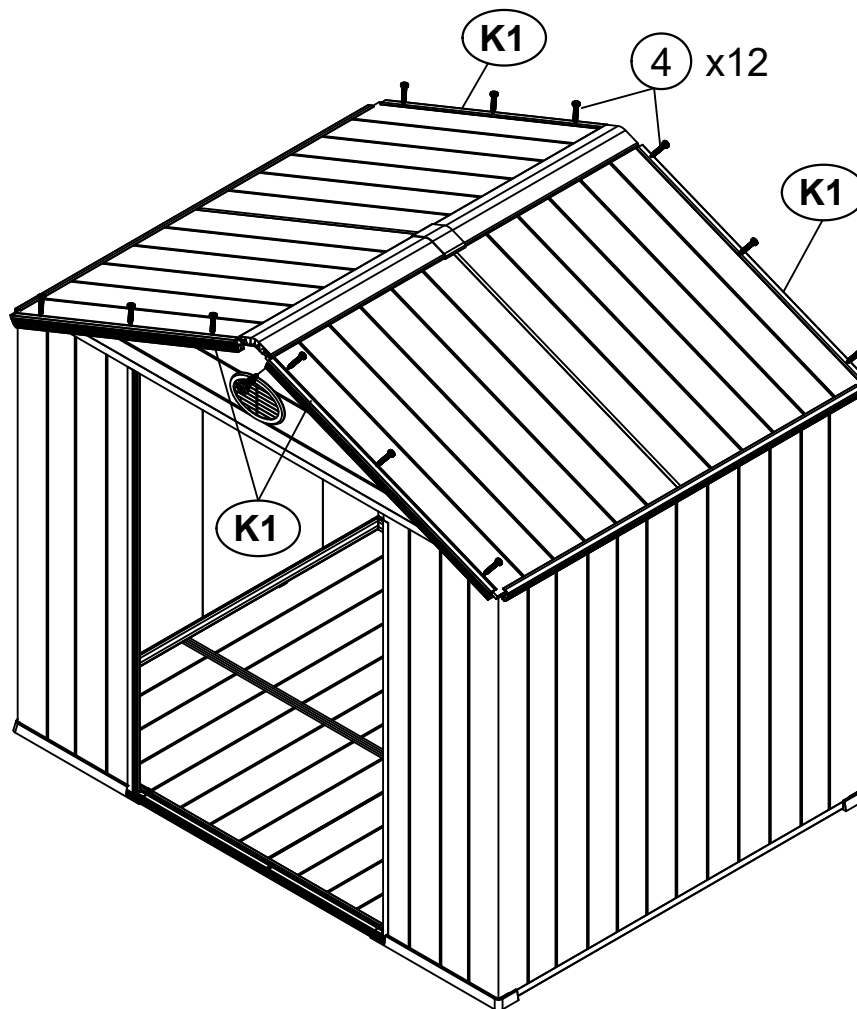
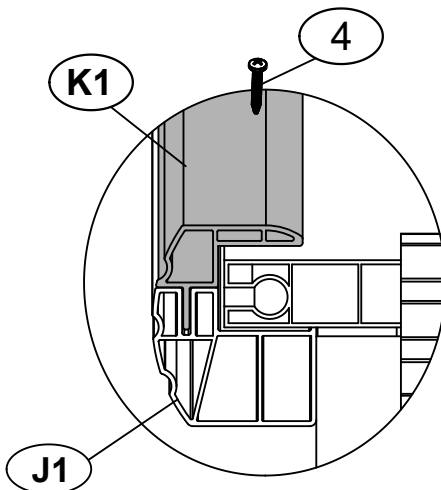


ST4.8x32

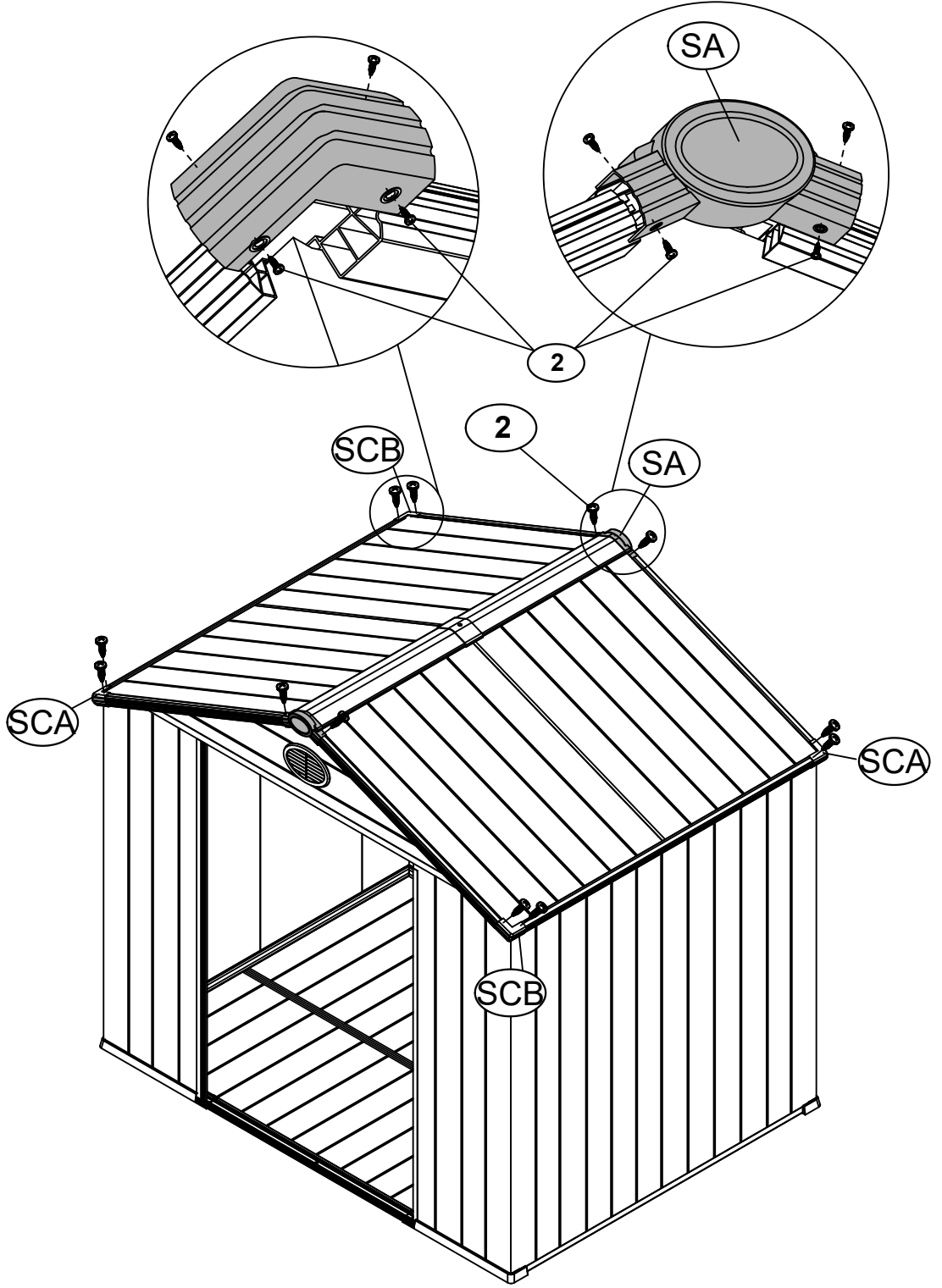
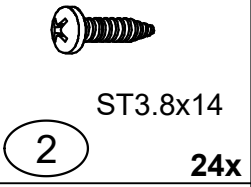
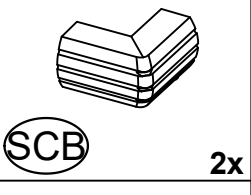
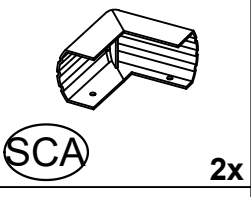
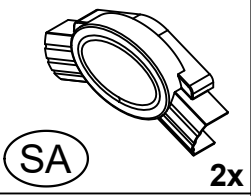
4

12x

<29>

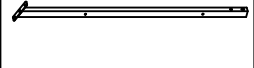


<30>



<31>

U3A 4x



U3B 2x



U3C 2x



U4 2x



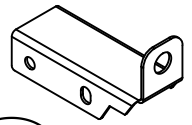
M6x40
8 20x



M6
9 20x

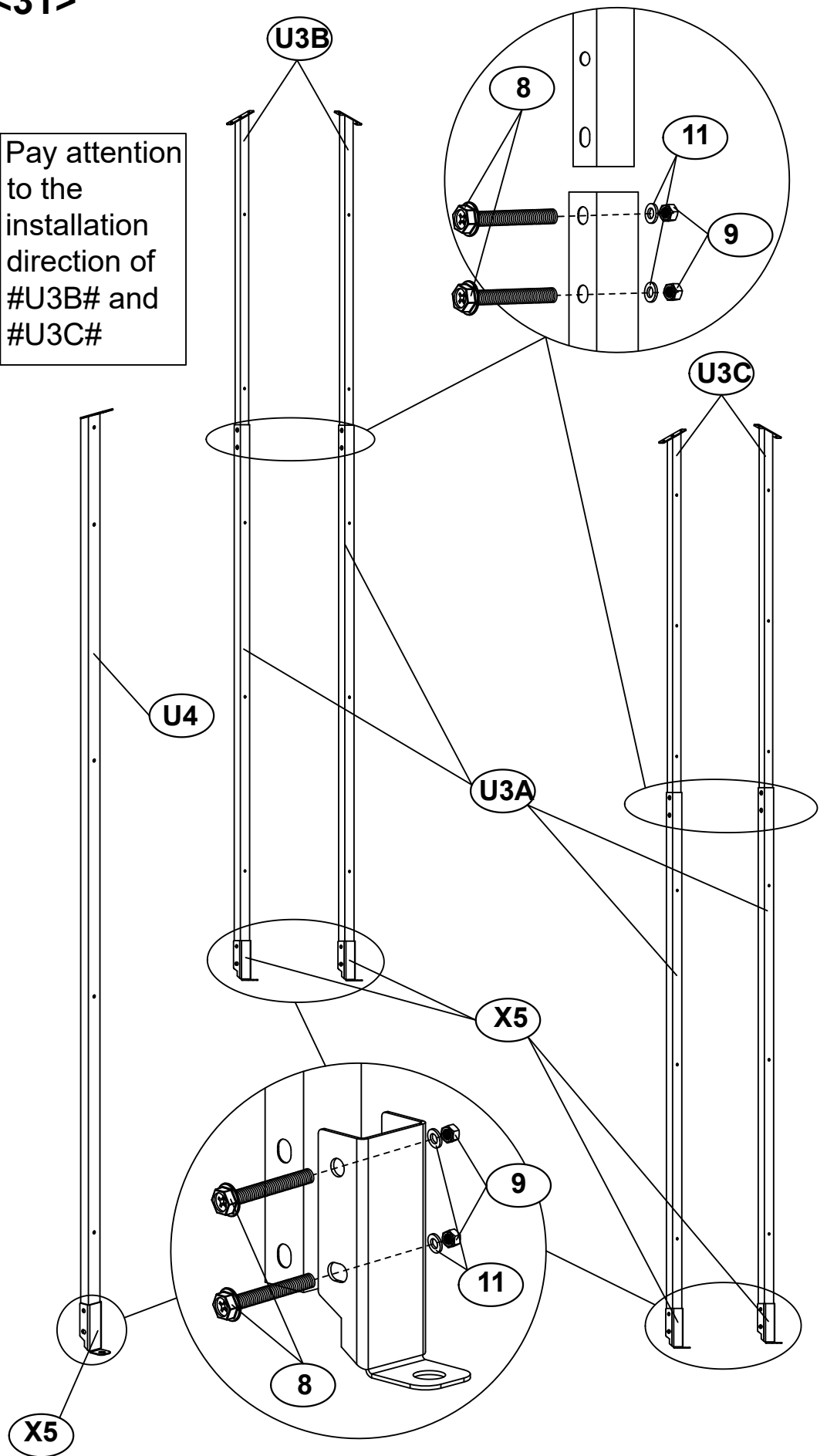


M6
11 20x



X5 6x

Pay attention to the installation direction of #U3B# and #U3C#

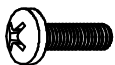




ST4.8x32

4

10x

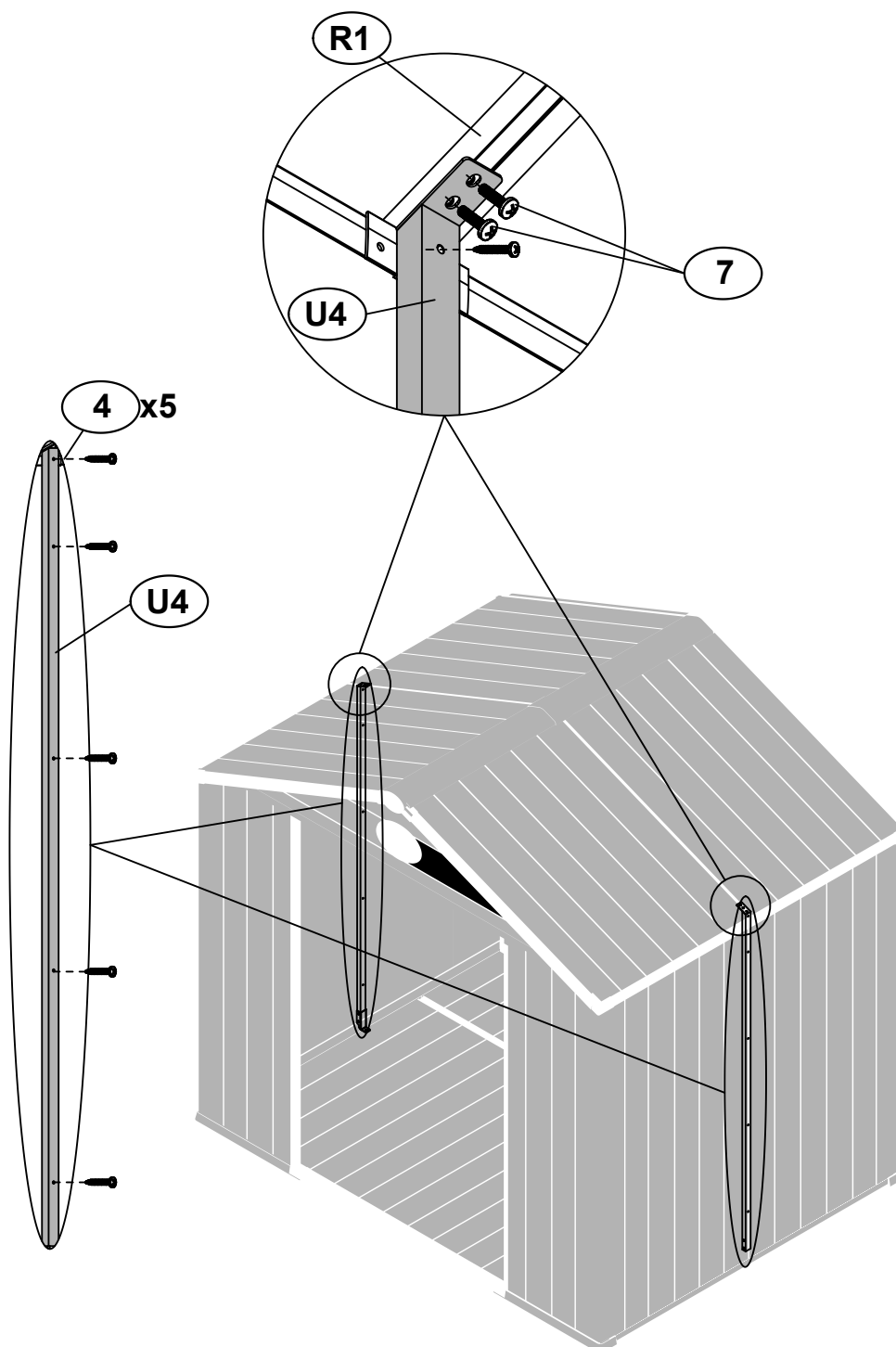


M6x15

7

4x

<32>





ST3.8x14

2

4x

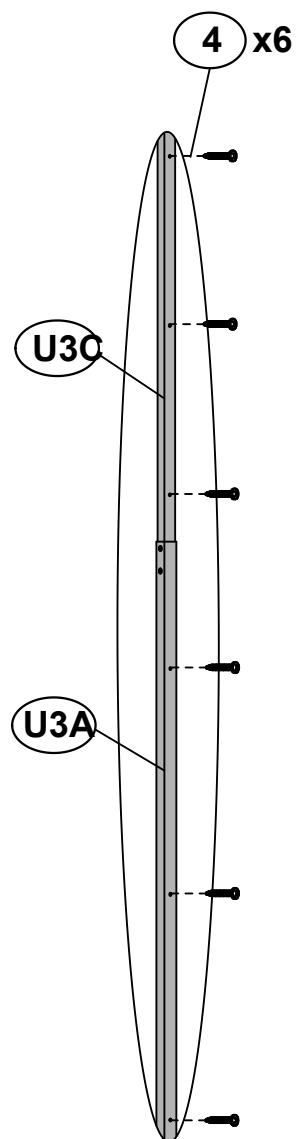
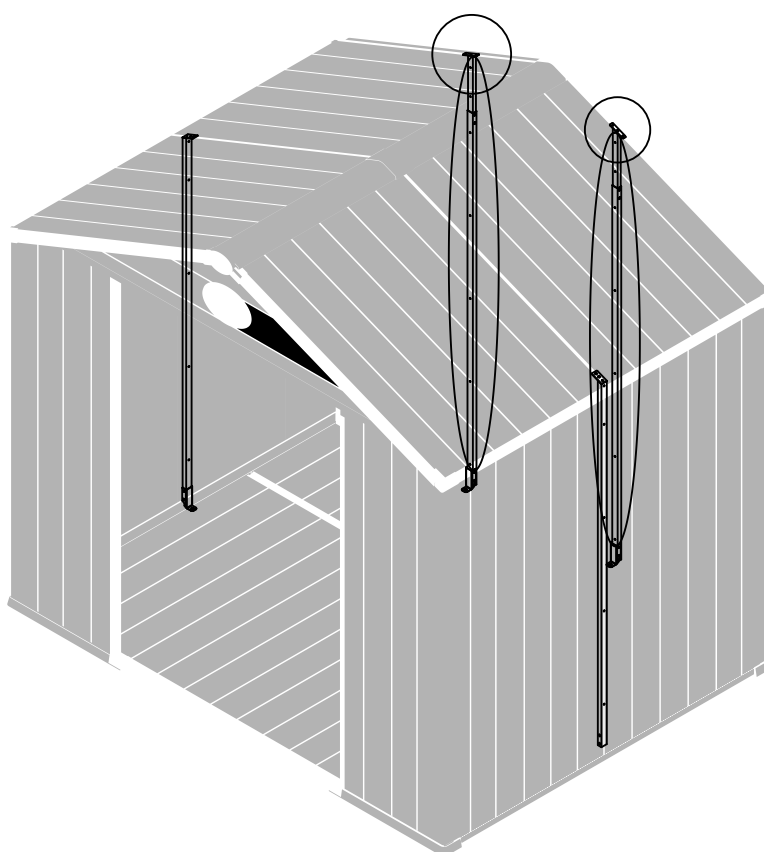
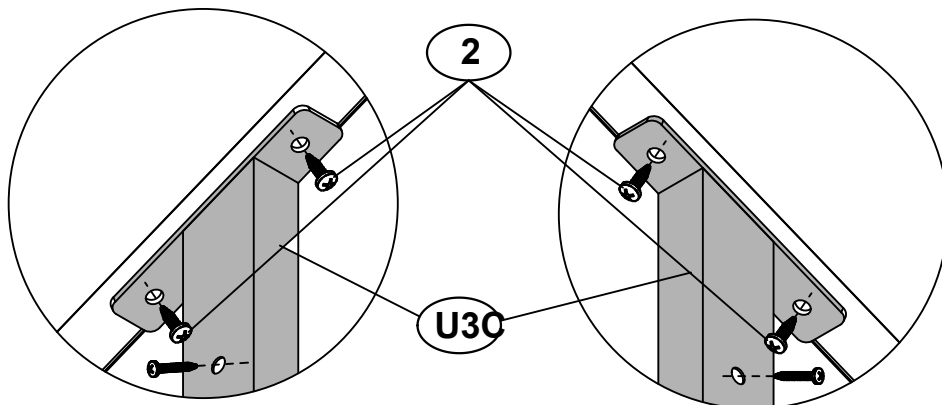


ST4.8x32

4

12x

<33>





ST3.8x14

2

4x

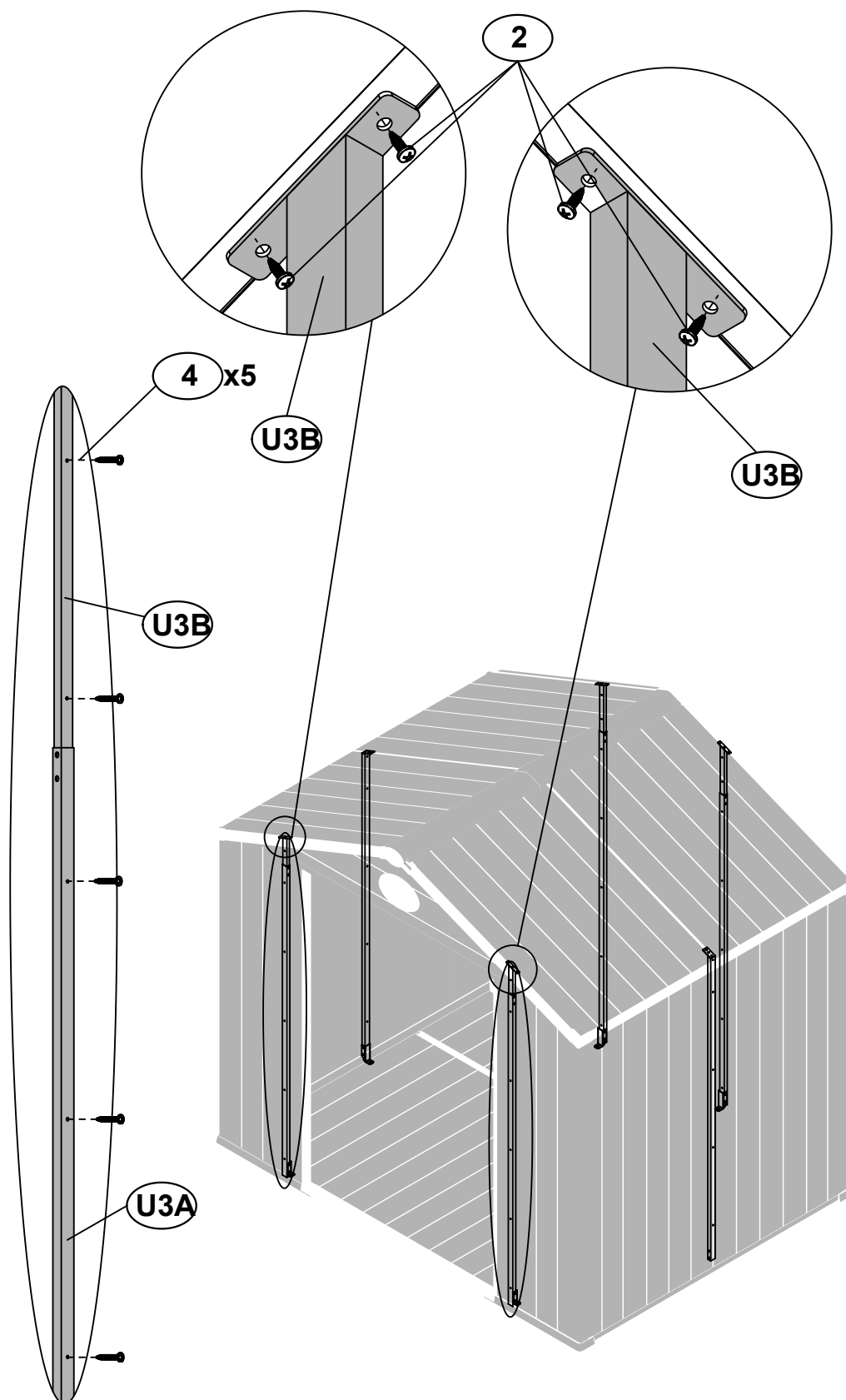


ST4.8x32

4

10x

<34>

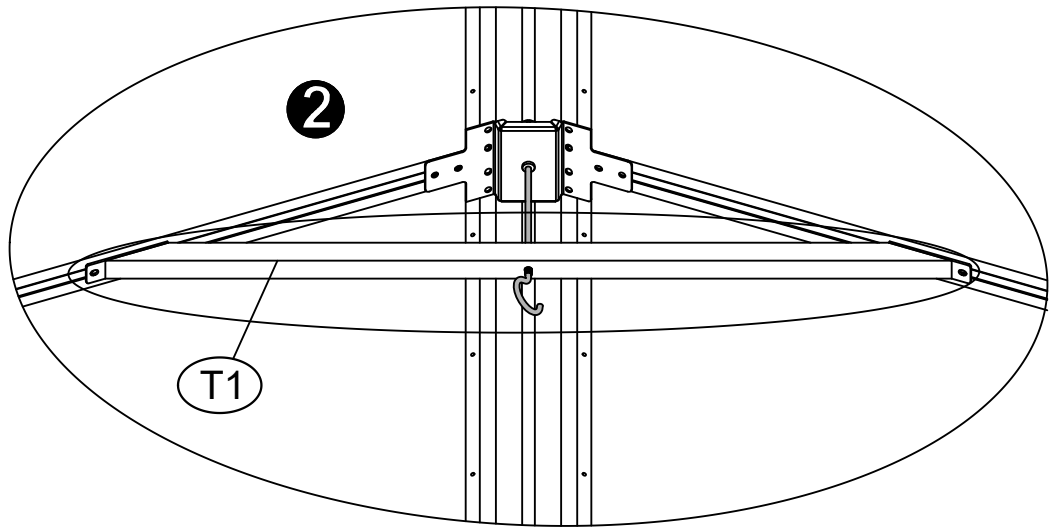




X6

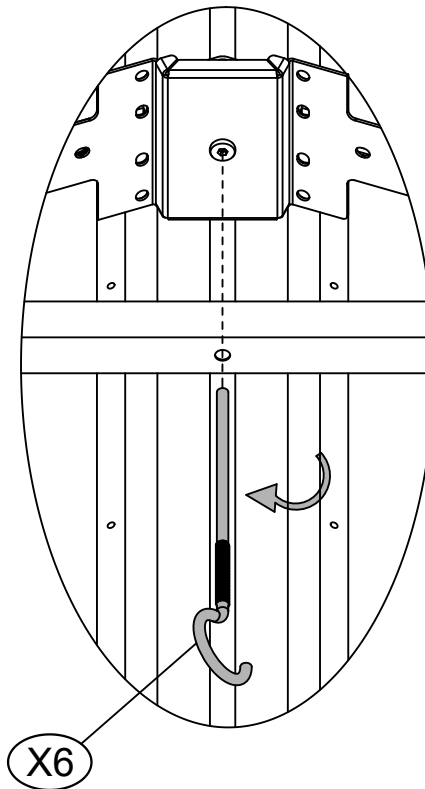
1x

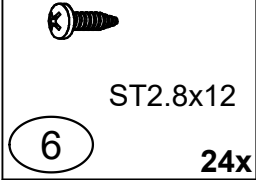
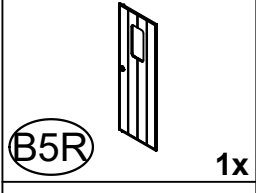
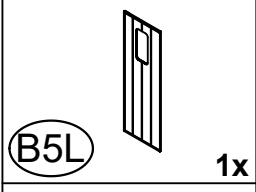
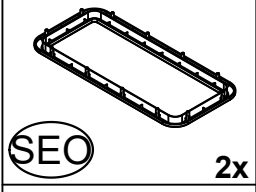
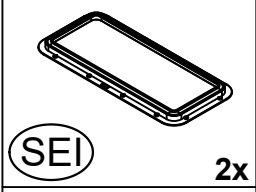
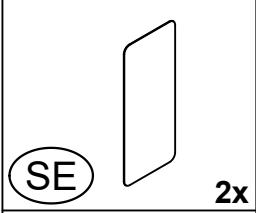
<35>



If there is a depression on the top of the tool room, it can be lifted by rotating #X6.

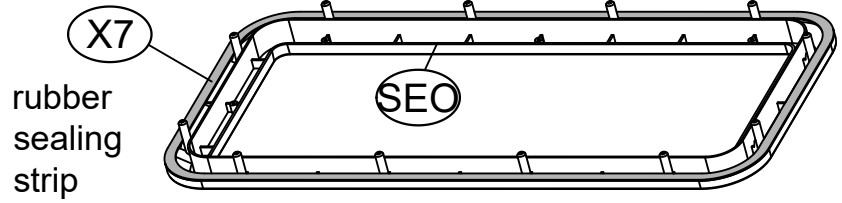
1



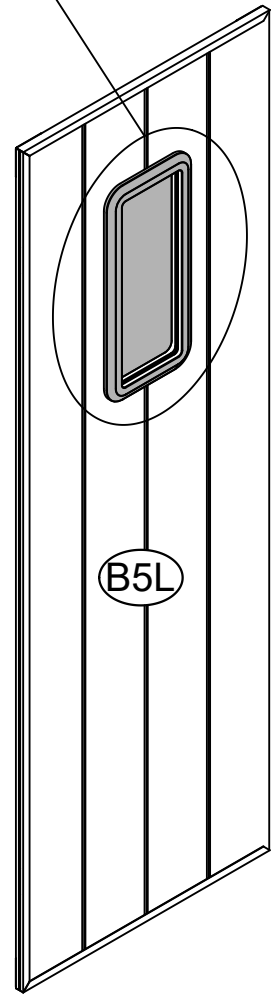
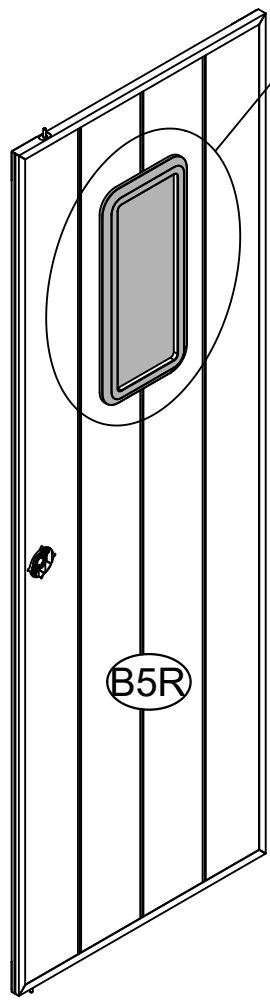
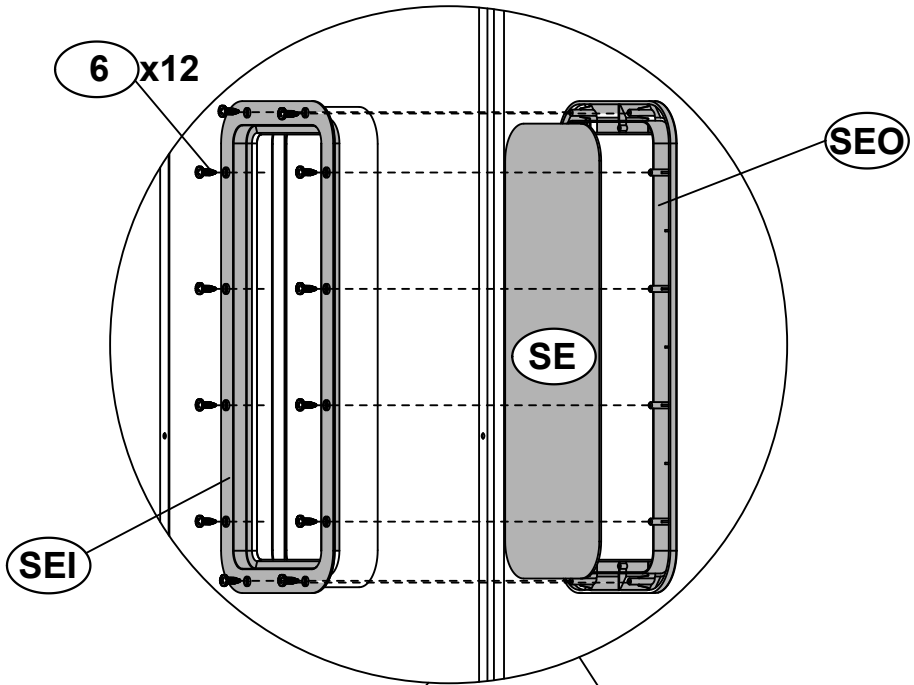


<36>

1



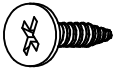
2



<37>

DM

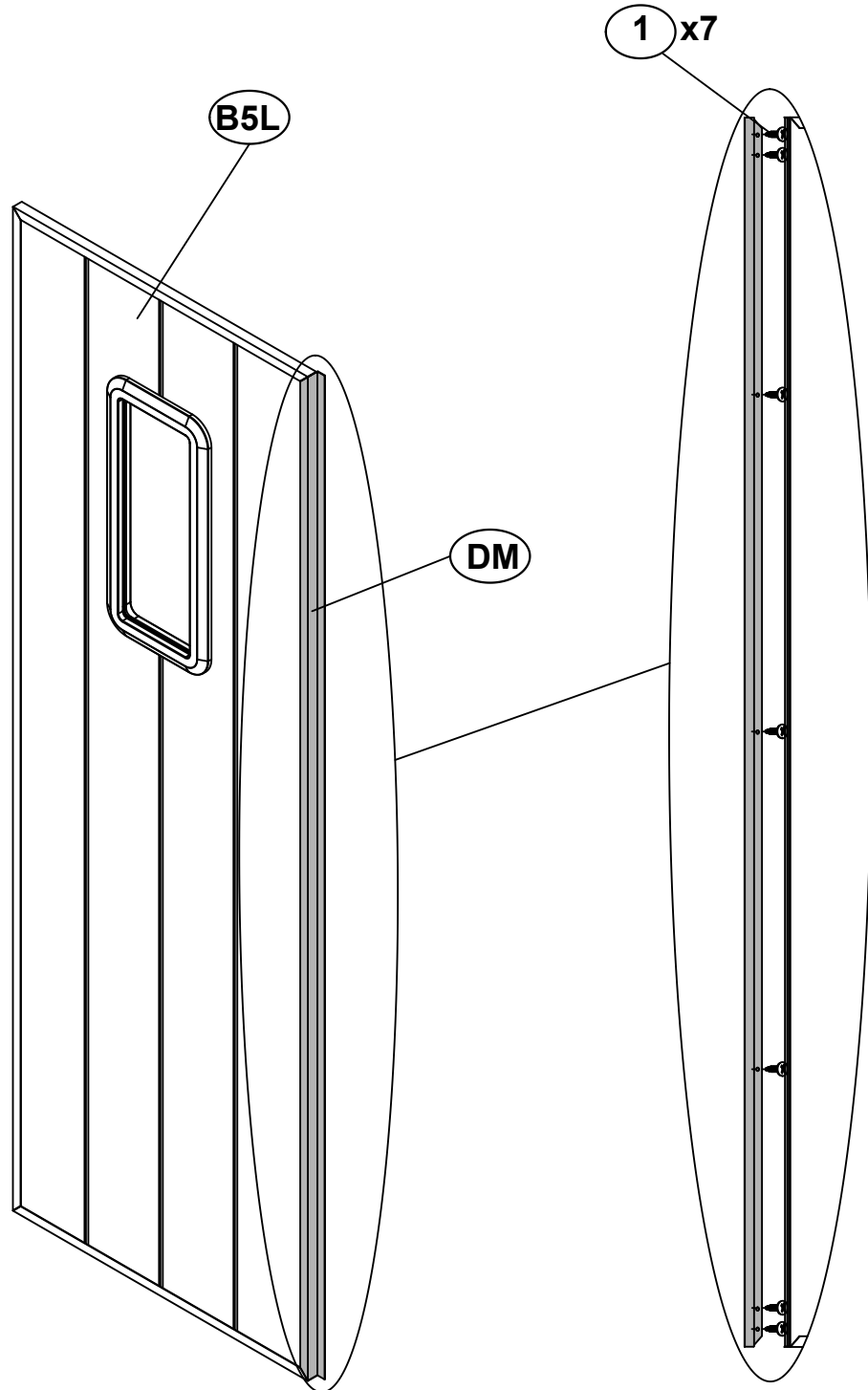
2x



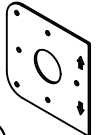


ST3.8x12

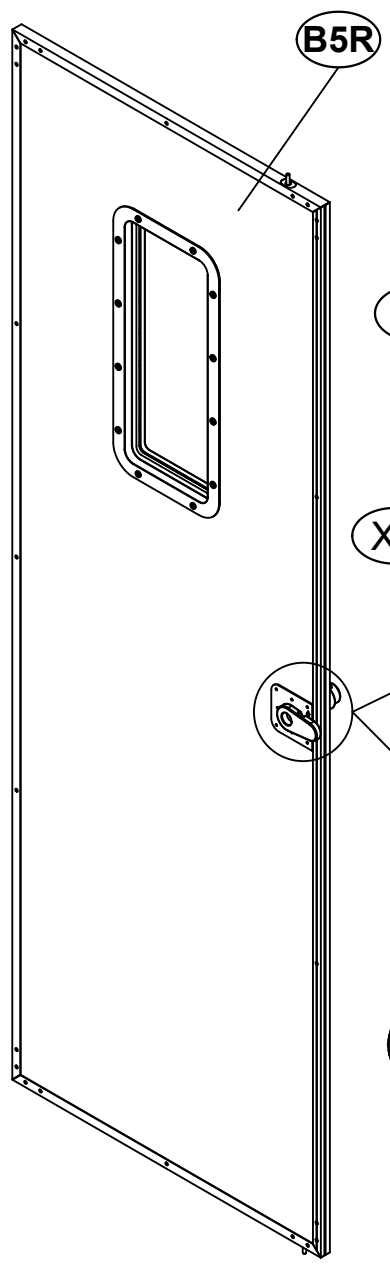
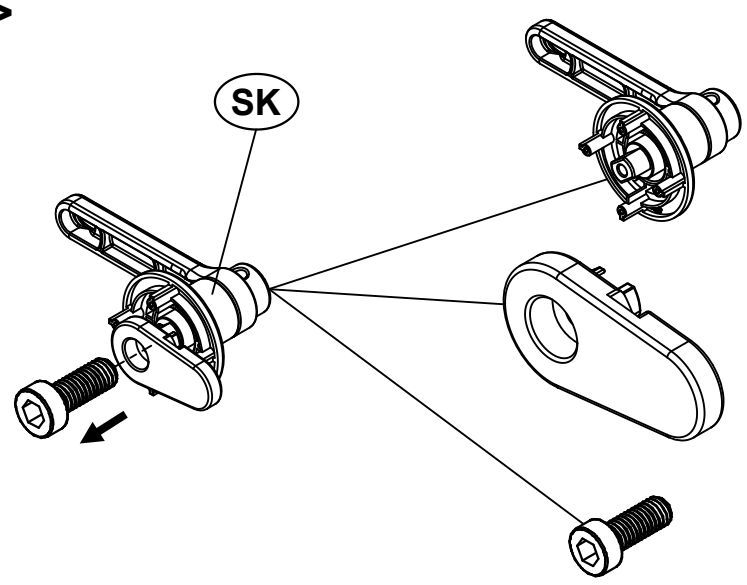
1

7x

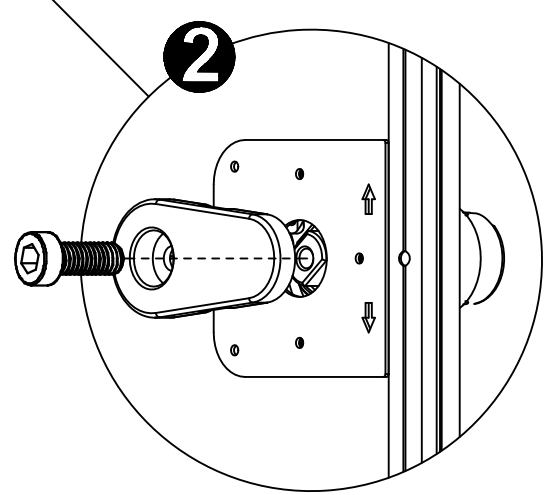
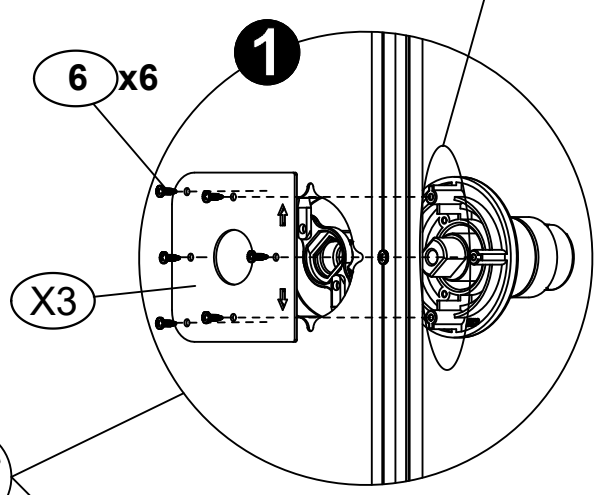


-  (SK) 1x
-  ST2.8x12 (6) 6x
-  (X3) 1x

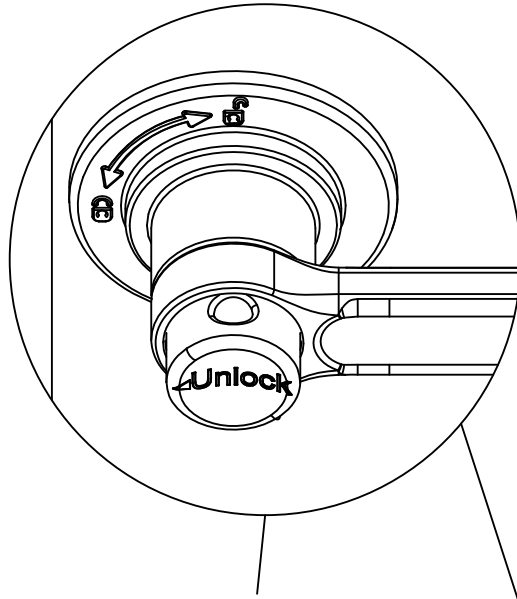
<38>



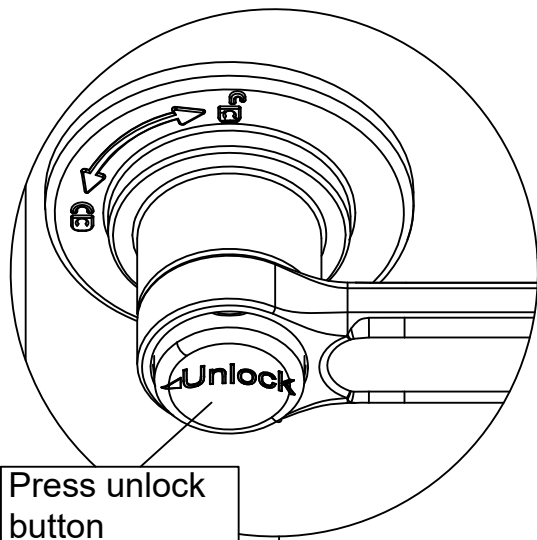
The direction of the raised steps during installation is located above and below



<39>

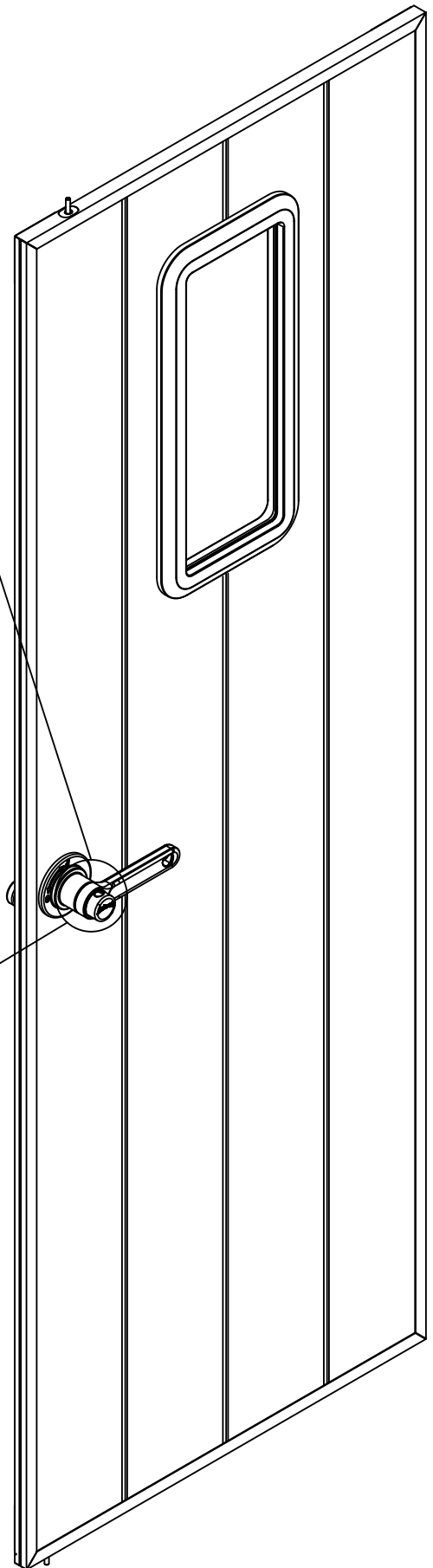


When the door lock button is in this state, the door handle is in the locked state and cannot be rotated



Press unlock button

When the door lock button is in this state, the door lock is unlocked and can be opened by pressing the door knob

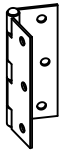




ST3.8x12

3

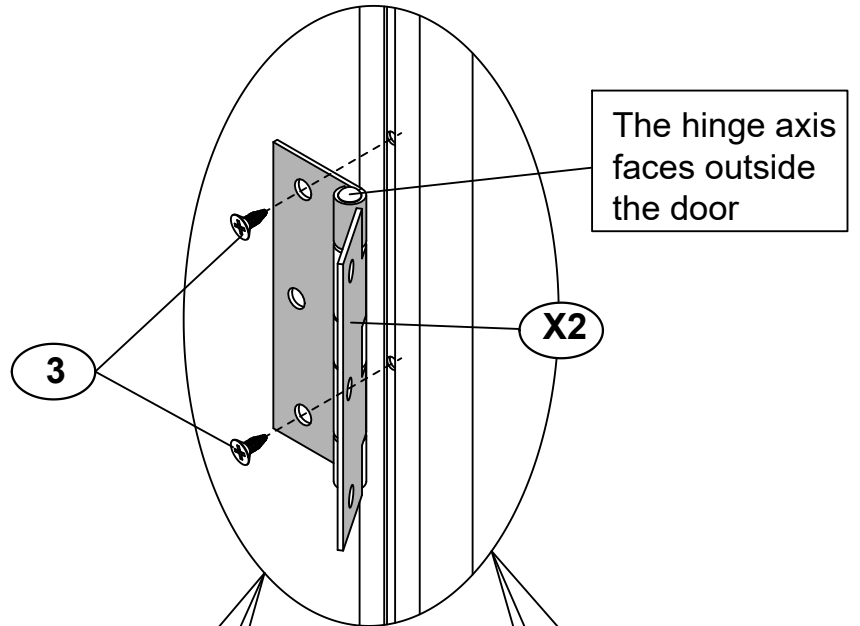
12x



X2

6x

<40>



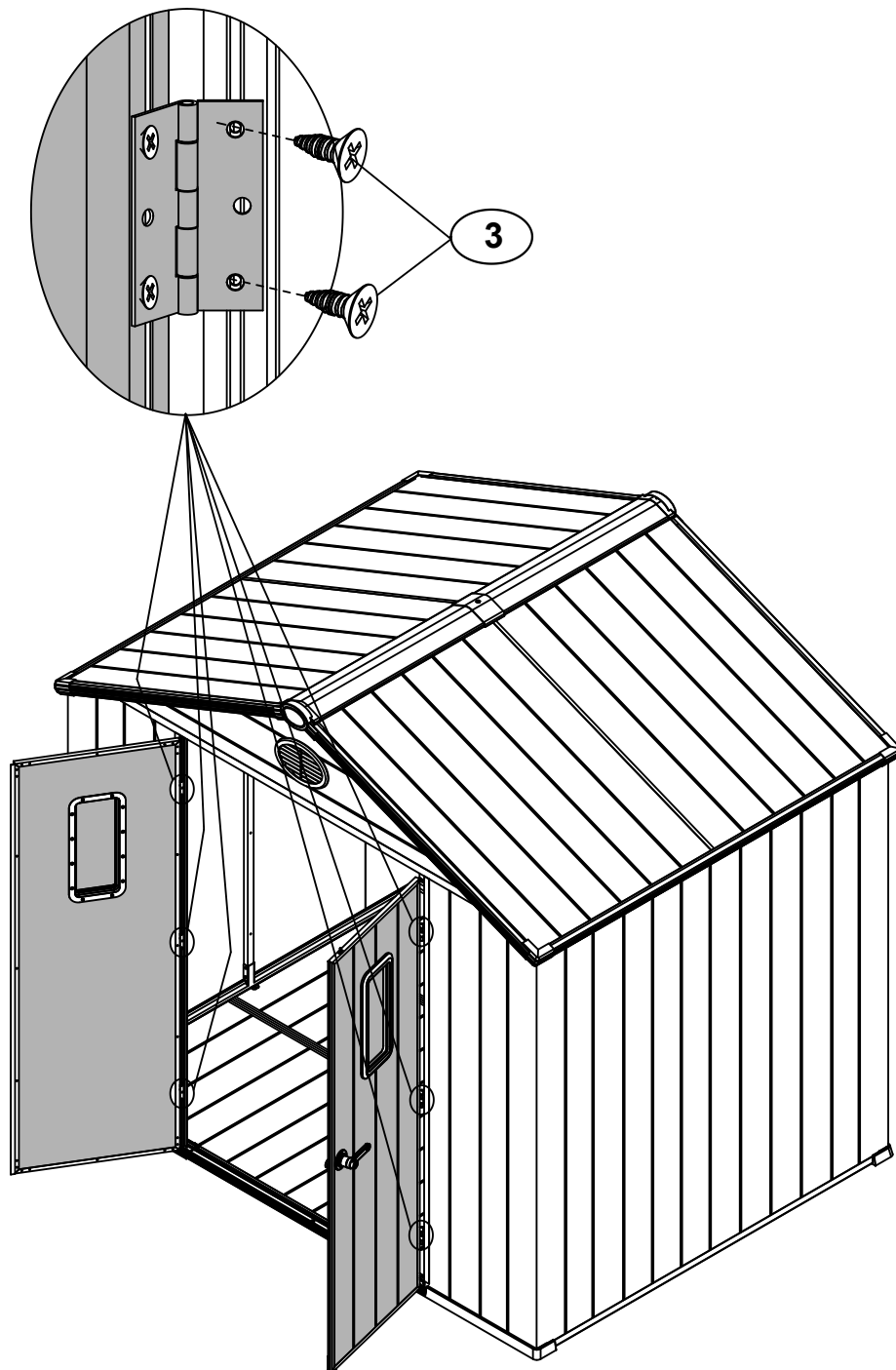


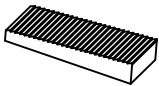
ST3.8x12

3

12x

<41>

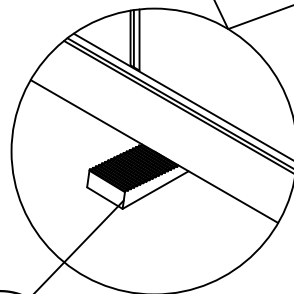
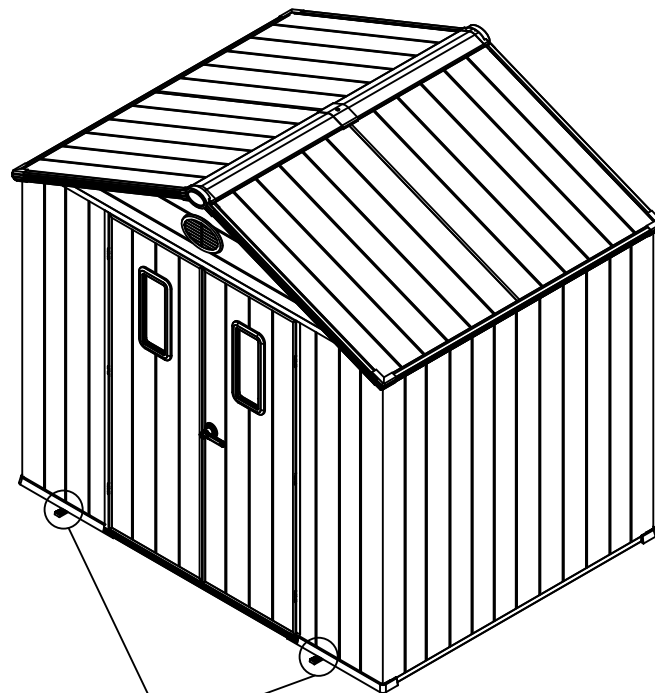




<42>

SP

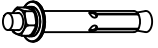
2x



SP

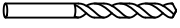
If the assembled rear door frame is tilted, the #SP# part can be placed on the left or right side of the tool house as shown.

<43>



M8x80
6x

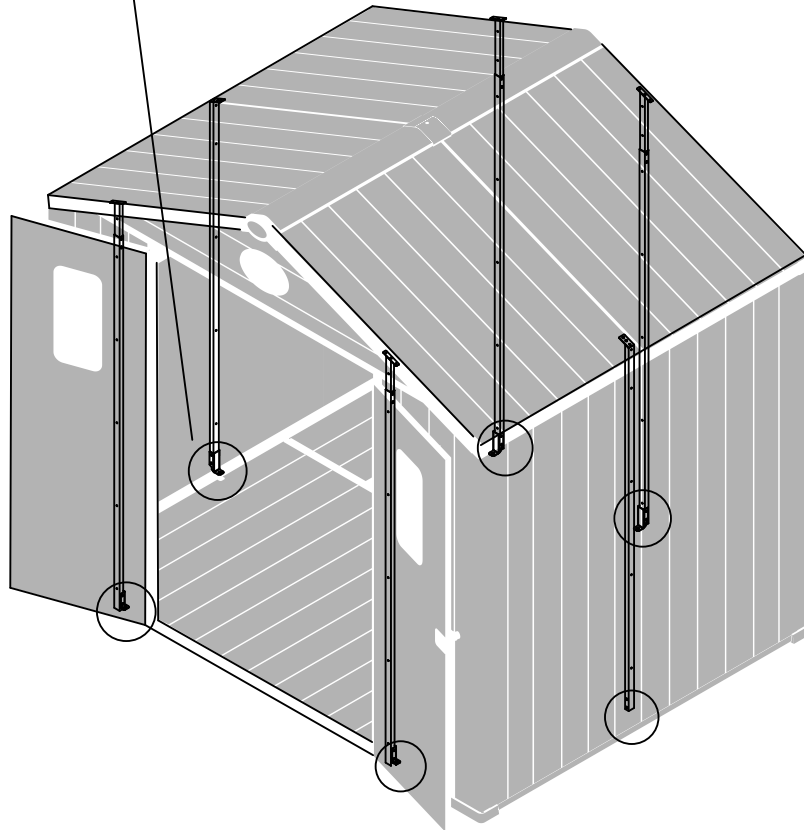
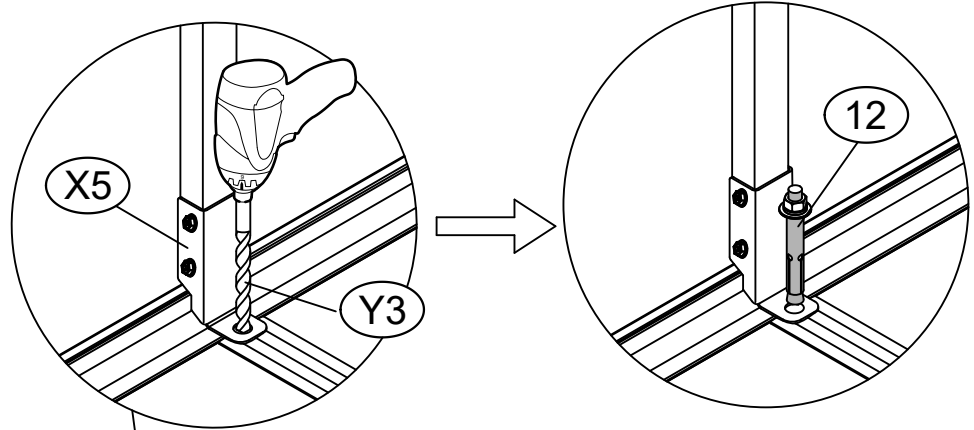
12



Y3

1x

You need to prepare
your own electric drill
to assist in drilling.



AFTER-SALE SERVICE

If you have any suggestions for our products or find that the products have quality problems, please contact us first, our after-sales team will reply you within 24 hours, and we will do our best to give you solutions until you are satisfied.

Guaranteed Customer Service

Your shopping experience is very important to us!
Feel unsatisfied? **Contact us!**
Have any questions? **Contact us!**

Wanna share your experience with our products?
Share your pictures with us.

Any suggestions? **Contact us!**
We gotcha back!



E-mail: BSaftersaleservice@outlook.com