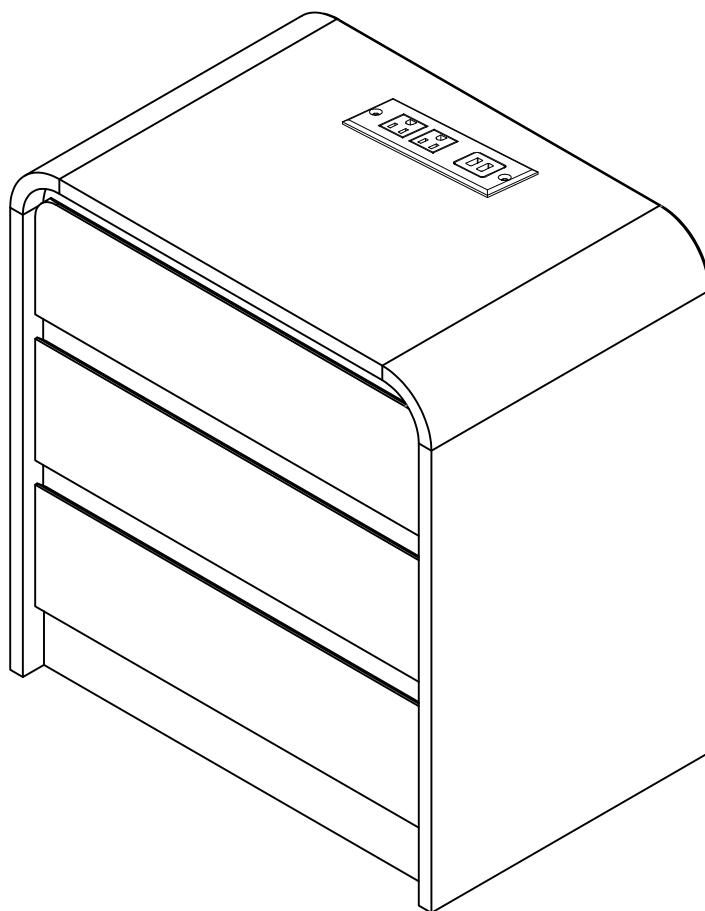
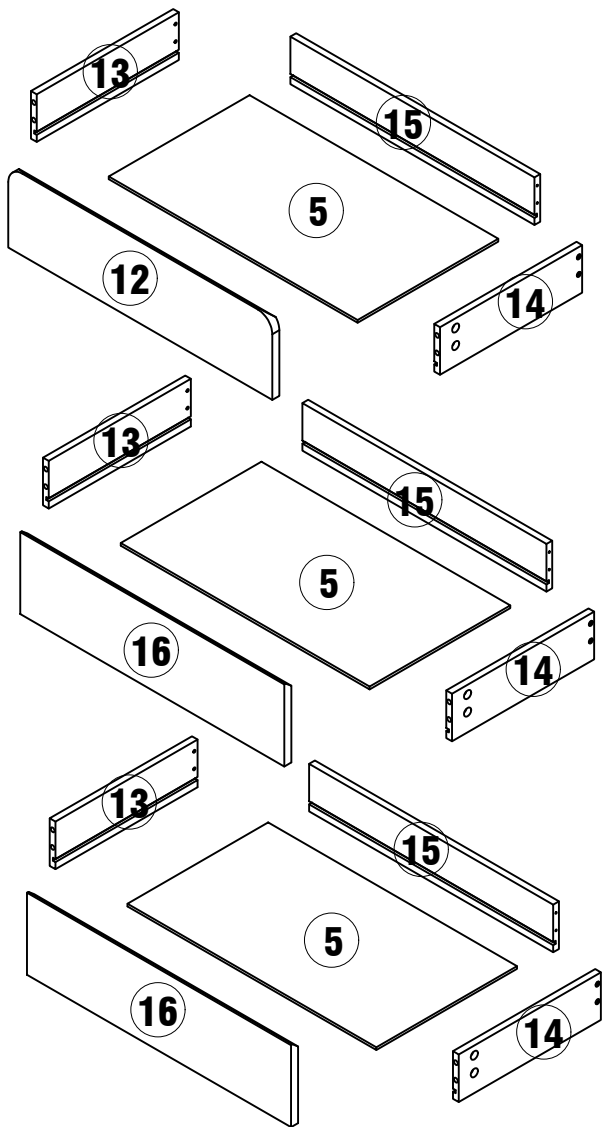
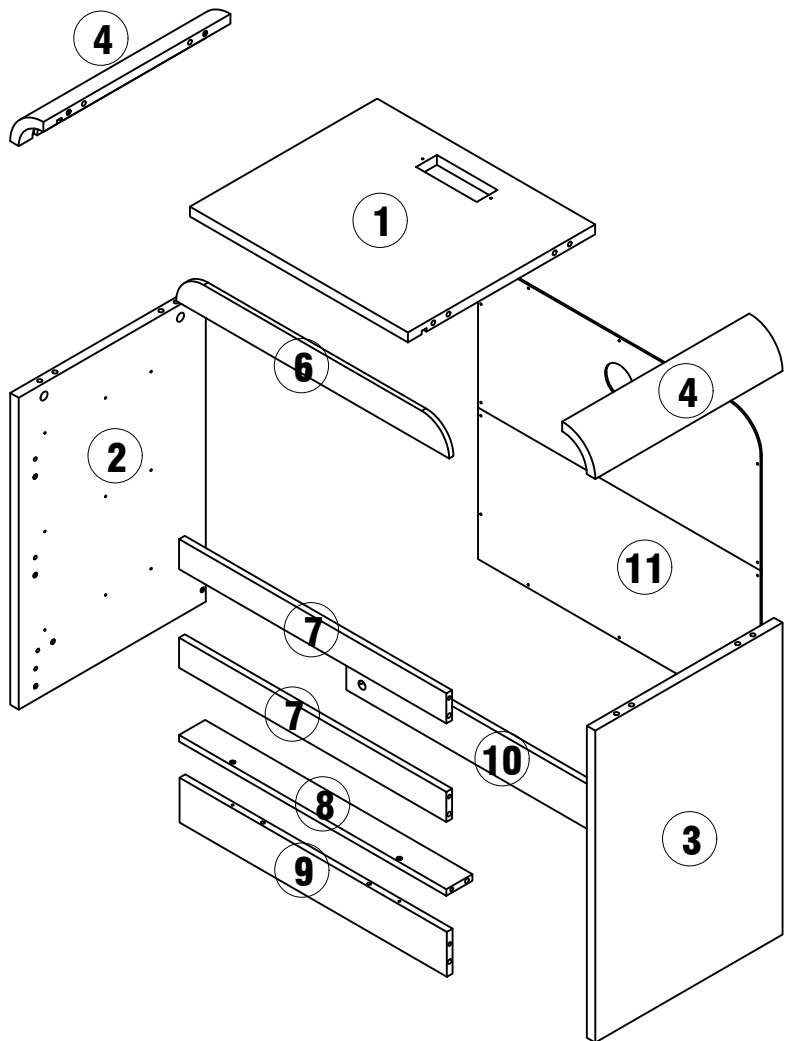


# ASSEMBLY INSTRUCTIONS



# PACKAGE INCLUDE

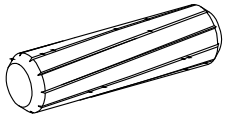


## PACKAGE INCLUDE

<b>CODE</b>	<b>DESCRIPTION</b>	<b>QTY</b>
<b>1</b>	Top Panel	<b>1</b>
<b>2</b>	Left Side Panel	<b>1</b>
<b>3</b>	Right Side Panel	<b>1</b>
<b>4</b>	Bent Wood Board	<b>2</b>
<b>5</b>	Drawer Bottom Panel	<b>3</b>
<b>6</b>	Upper Front Strip	<b>1</b>
<b>7</b>	Front Slat	<b>2</b>
<b>8</b>	Bottom Crossbar	<b>1</b>
<b>9</b>	Front Footboard	<b>1</b>
<b>10</b>	Back Footboard	<b>1</b>
<b>11</b>	Back Panel	<b>1</b>
<b>12</b>	Upper Drawer Top Panel	<b>1</b>
<b>13</b>	Drawer Left Side Panel	<b>3</b>
<b>14</b>	Drawer Right Side Panel	<b>3</b>
<b>15</b>	Drawer Back Panel	<b>3</b>
<b>16</b>	Lower Drawer Top Panel	<b>2</b>

# PACKAGE CONTENT

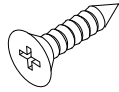
**Ø6X30MM**



**A**

**12X+1**

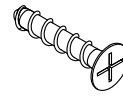
**Ø3X12MM**



**B**

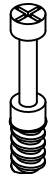
**32X+1**

**Ø4X35MM**



**C**

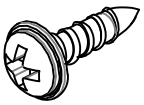
**12X**



**D**

**8X+1**

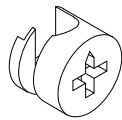
**Ø3.5X12MM**



**F**

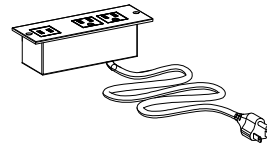
**14X+1**

**Ø15X12MM**



**G**

**8X+1**



**H**

**1X**



**J**

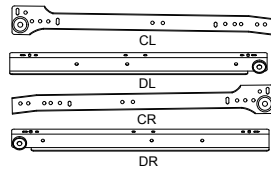
**22X+1**

**Ø15X10MM**



**K**

**22X+1**



**L**

**3X**

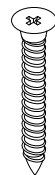
**Ø8X30MM**



**M**

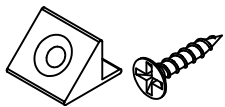
**8X**

**Ø4X40MM**



**N**

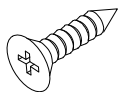
**2X**



**P**

**2X**

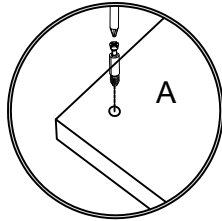
**Ø3.5X14MM**



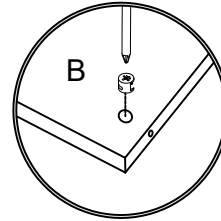
**Q**

**2X**

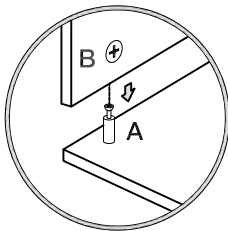
# How to use the cam lock system



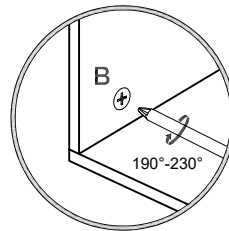
1. Screw cam bolt into panel



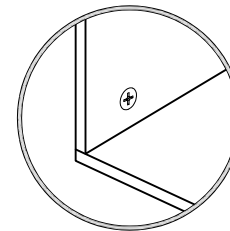
2. Push cam into panel - arrow feature on cam top points to panel edge



3. Align cam bolt(s) with cam(s) and insert all the way into cross-bored hole(s)

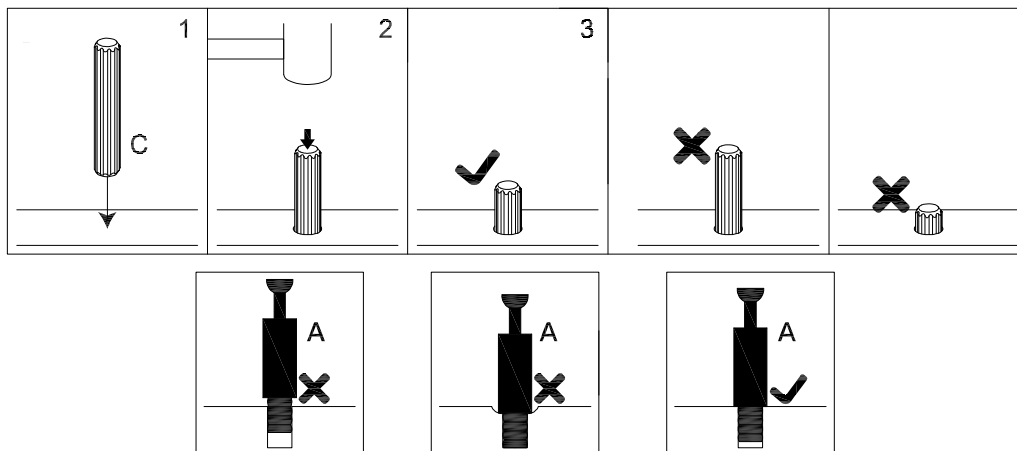


4. Rotate cam(s) clockwise 190°-230° to lock panels together



5. Panels should be tight against each other and connection should be rigid

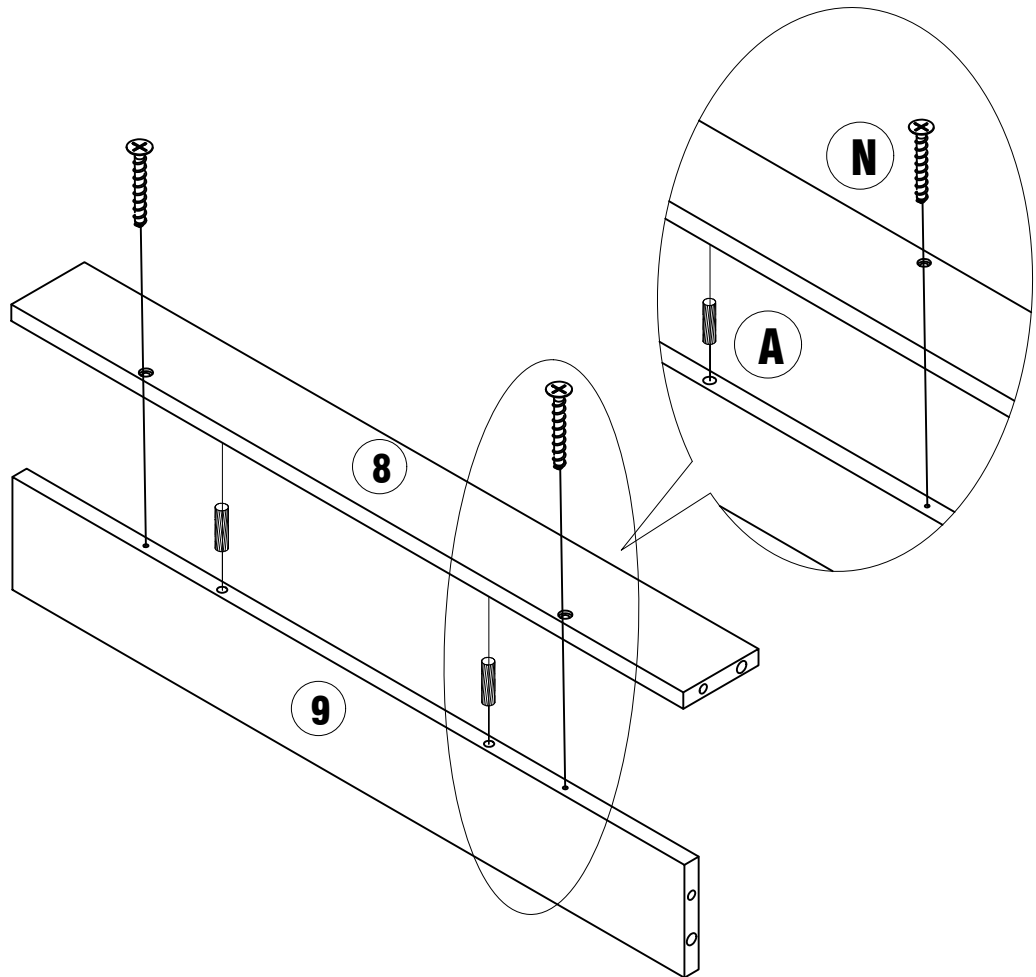
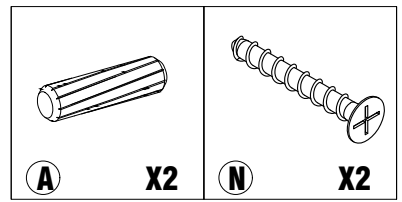
Insert the wood dowel [C] at least half way by tapping lightly with a rubber mallet, IF NECESSARY.



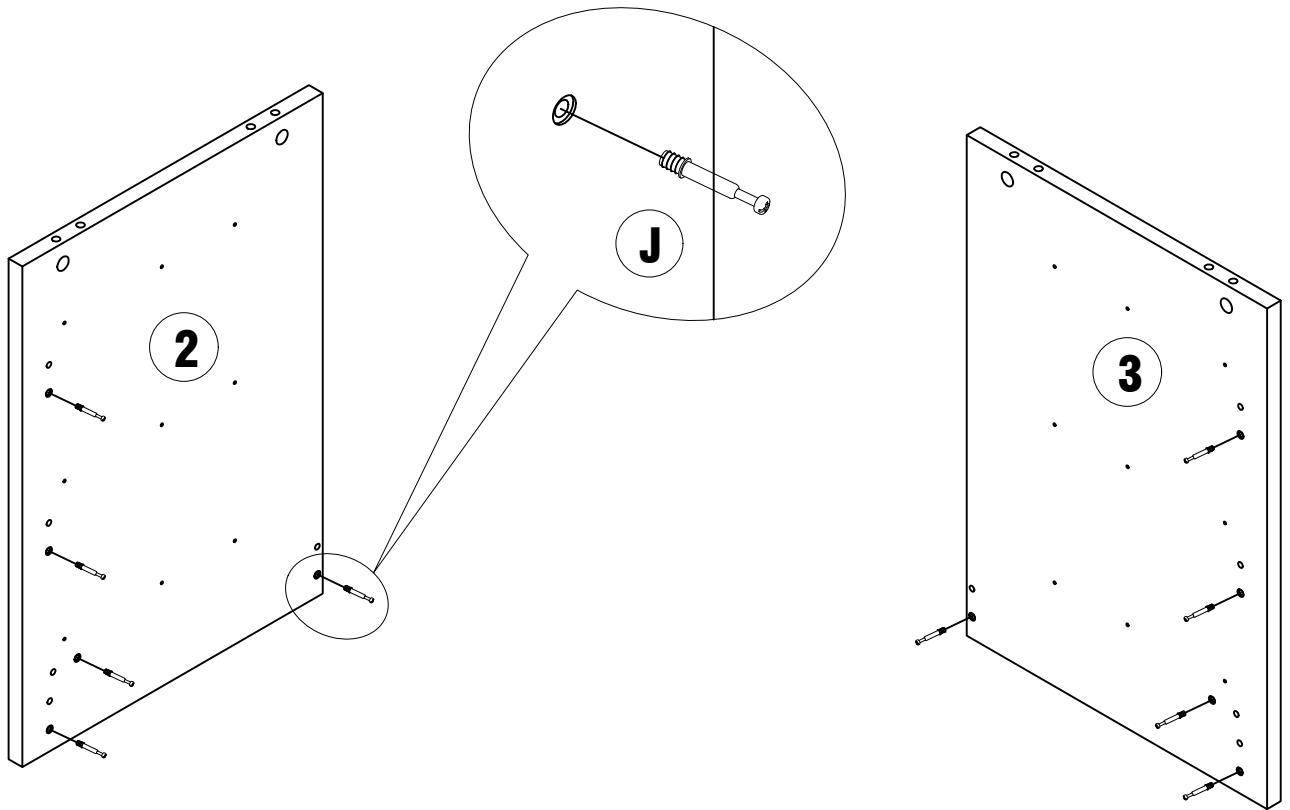
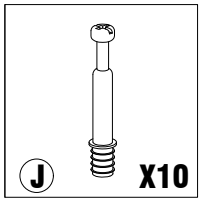
## ⚠ WARNING

- Unit must be placed on a level surface or leveled with included hardware (when applicable).
- Do not sit or stand on or allow children to climb, sit or stand on the assembled product.
- For safety reasons, it is imperative that this unit be mounted to the wall.
- Do not use without installing the tip restraint.
- Unit can tip over causing severe injury or death.
- Do not exceed the recommended weight limits.
- Evenly distribute the weight on each level and always keep the heavier loads on the bottom.
- Before cutting, drilling or hammering into any wall or floor surface, verify the location of electrical, plumbing and gas lines. Cutting may cause serious injury.

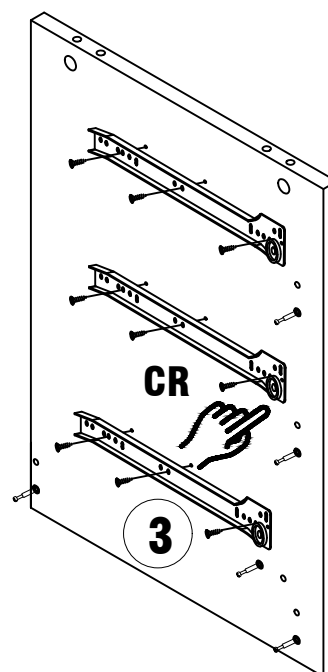
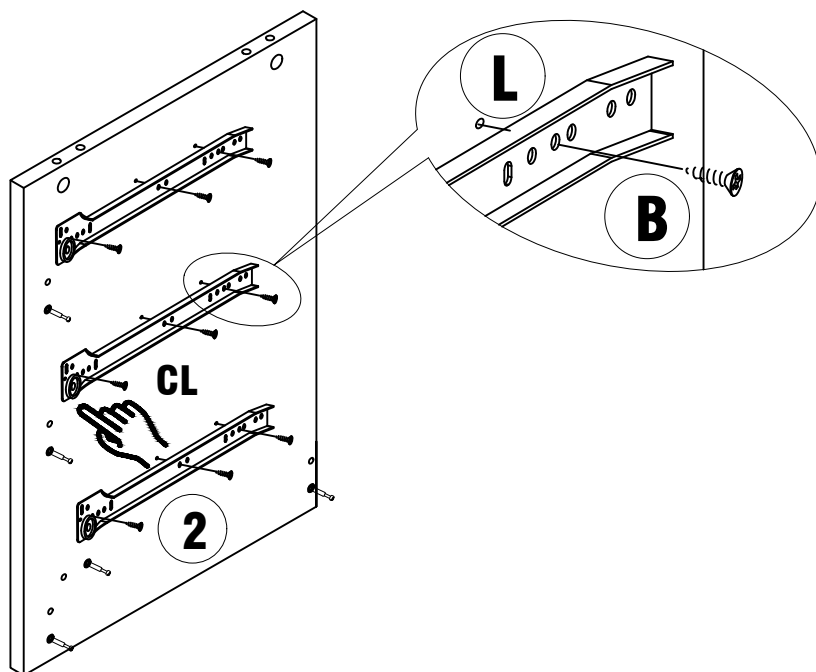
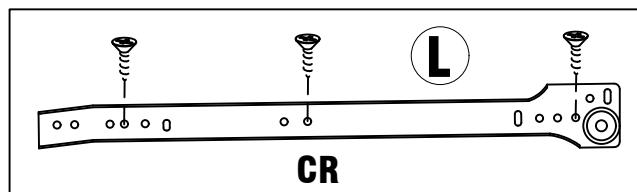
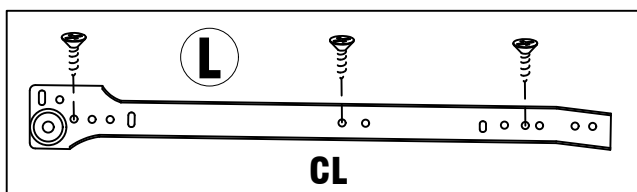
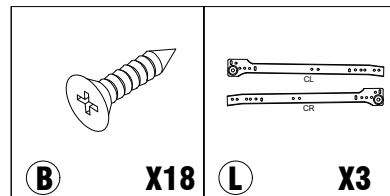
# STEP 1



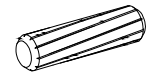
# STEP 2



# STEP 3



# STEP 4



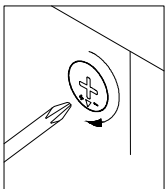
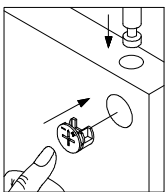
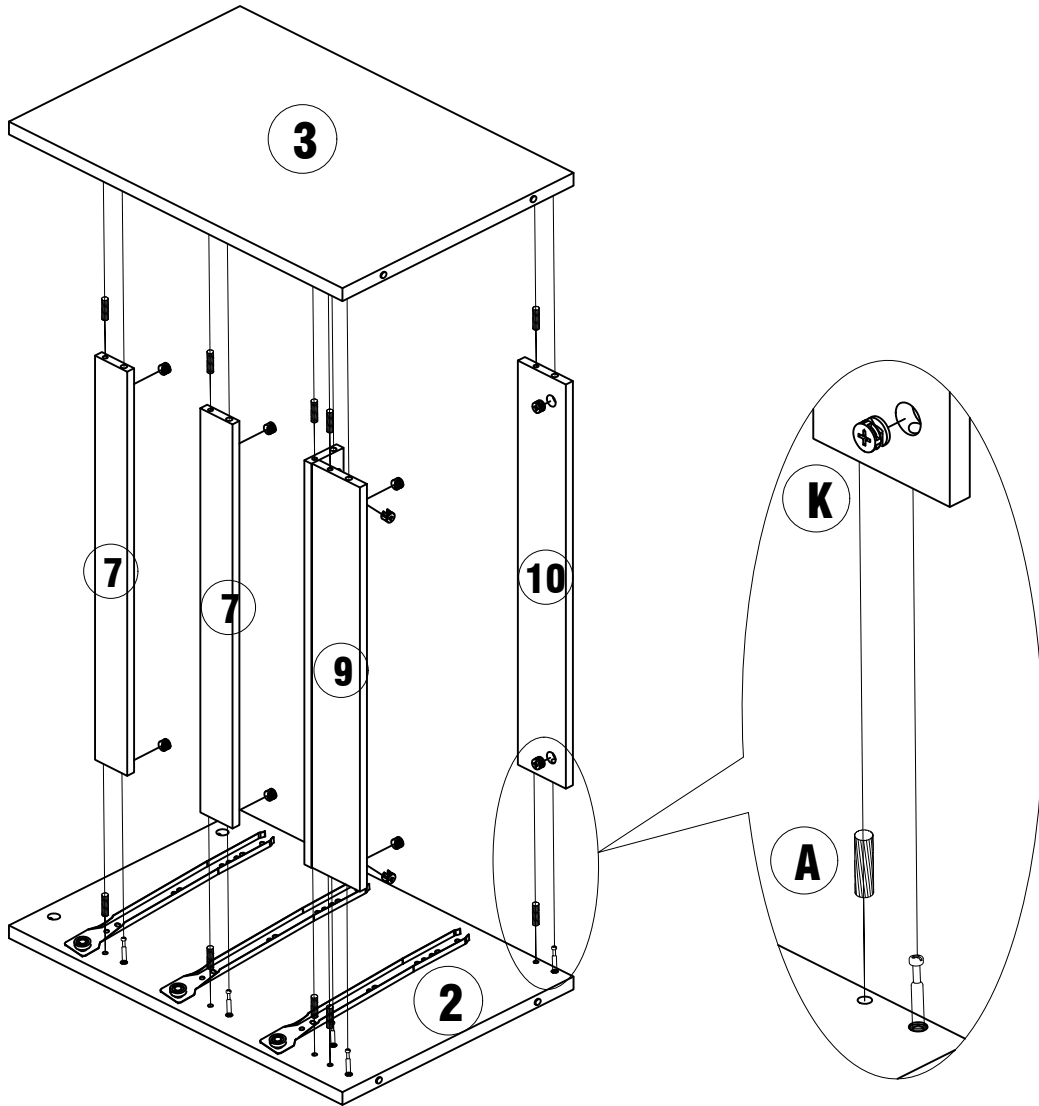
**A**

**X10**

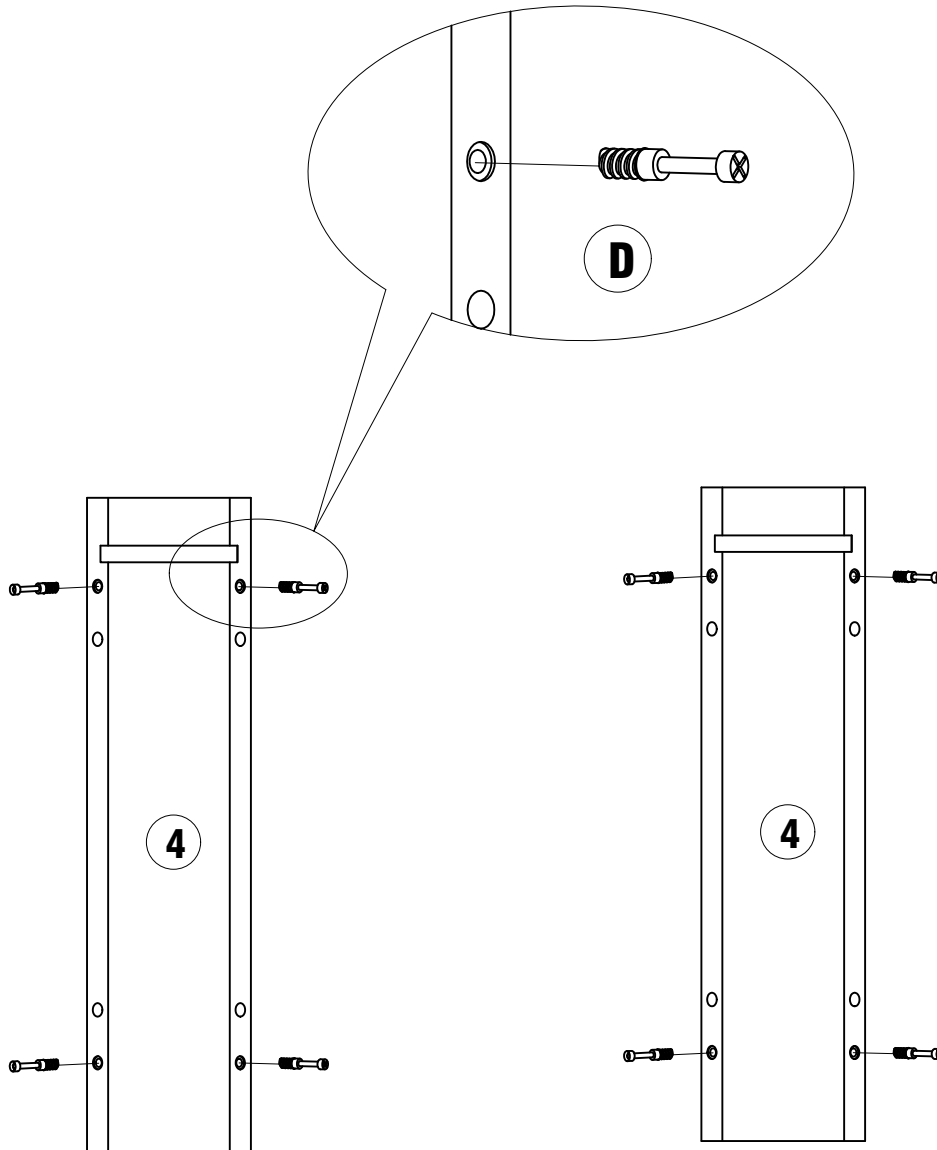
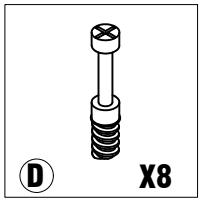


**K**

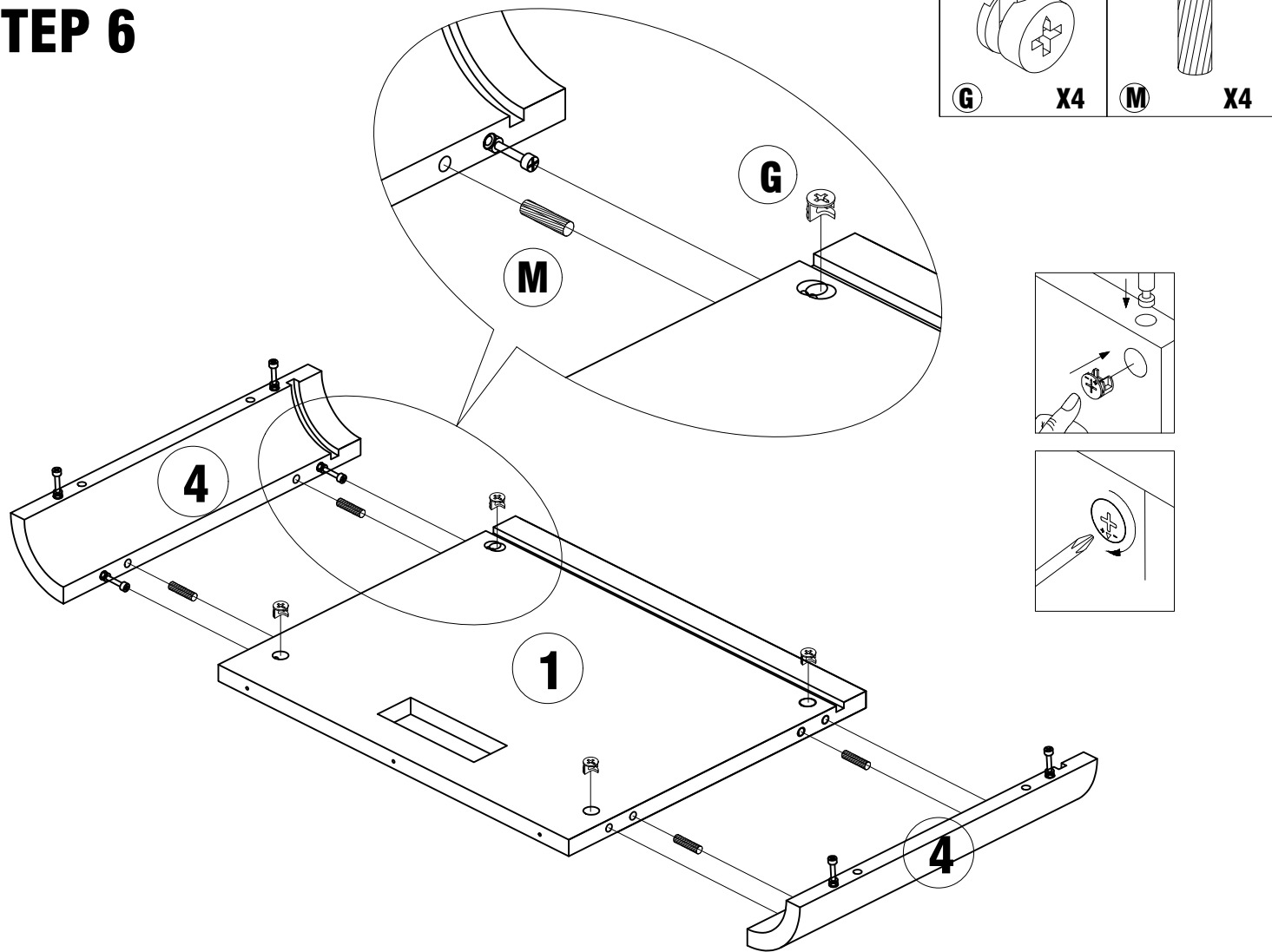
**X10**



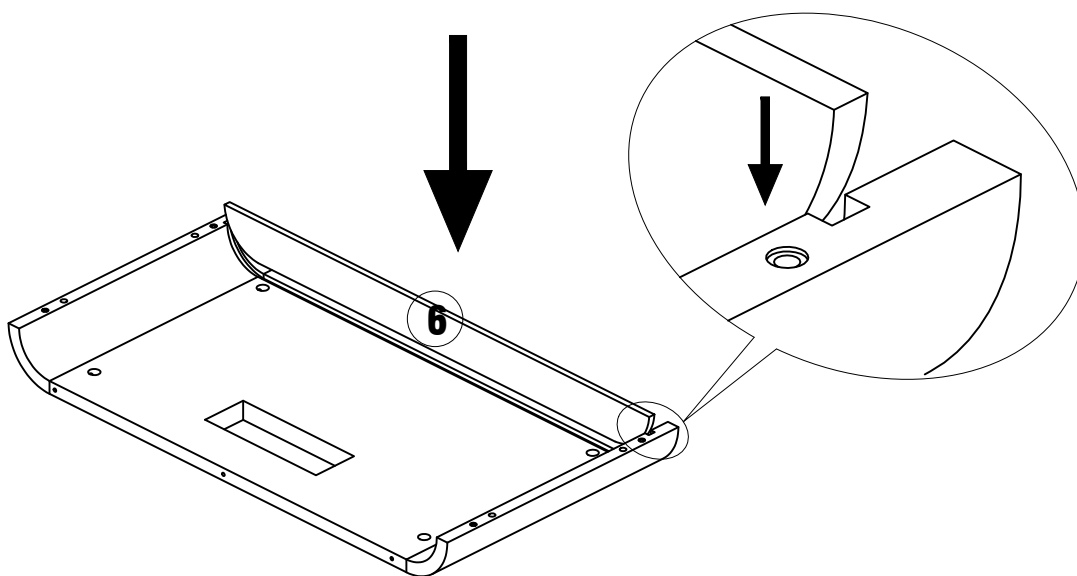
# STEP 5



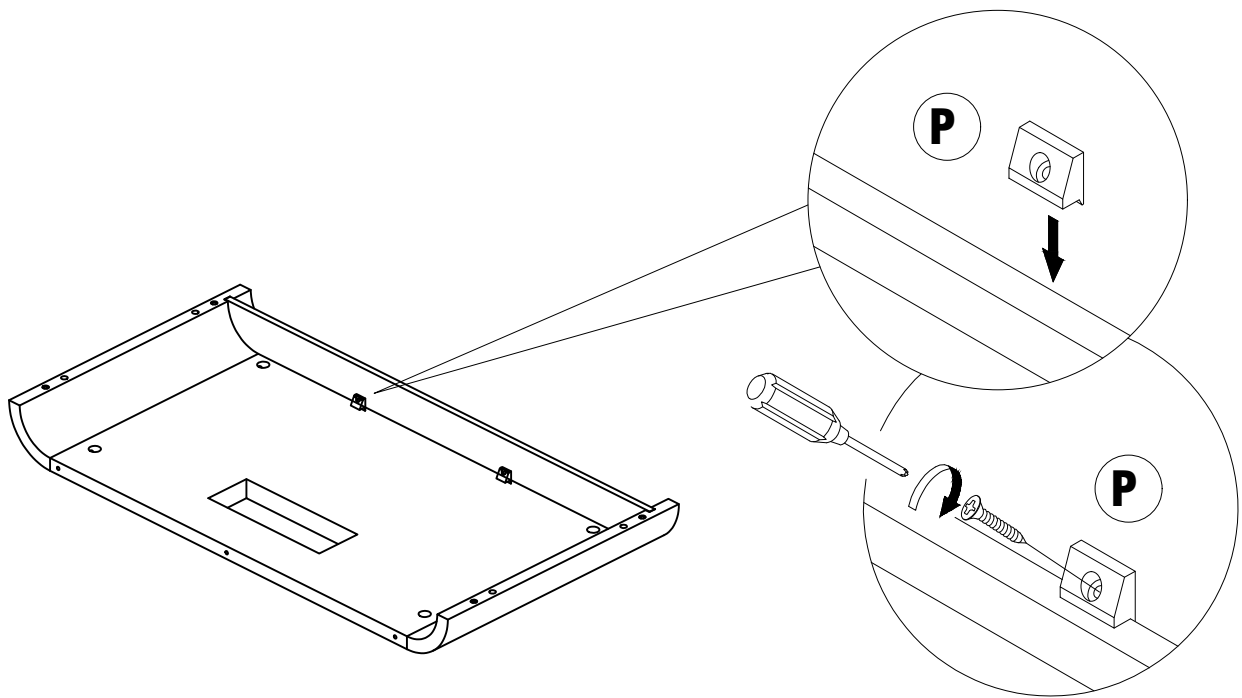
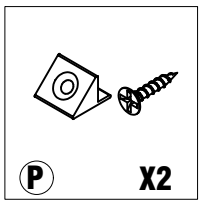
# STEP 6



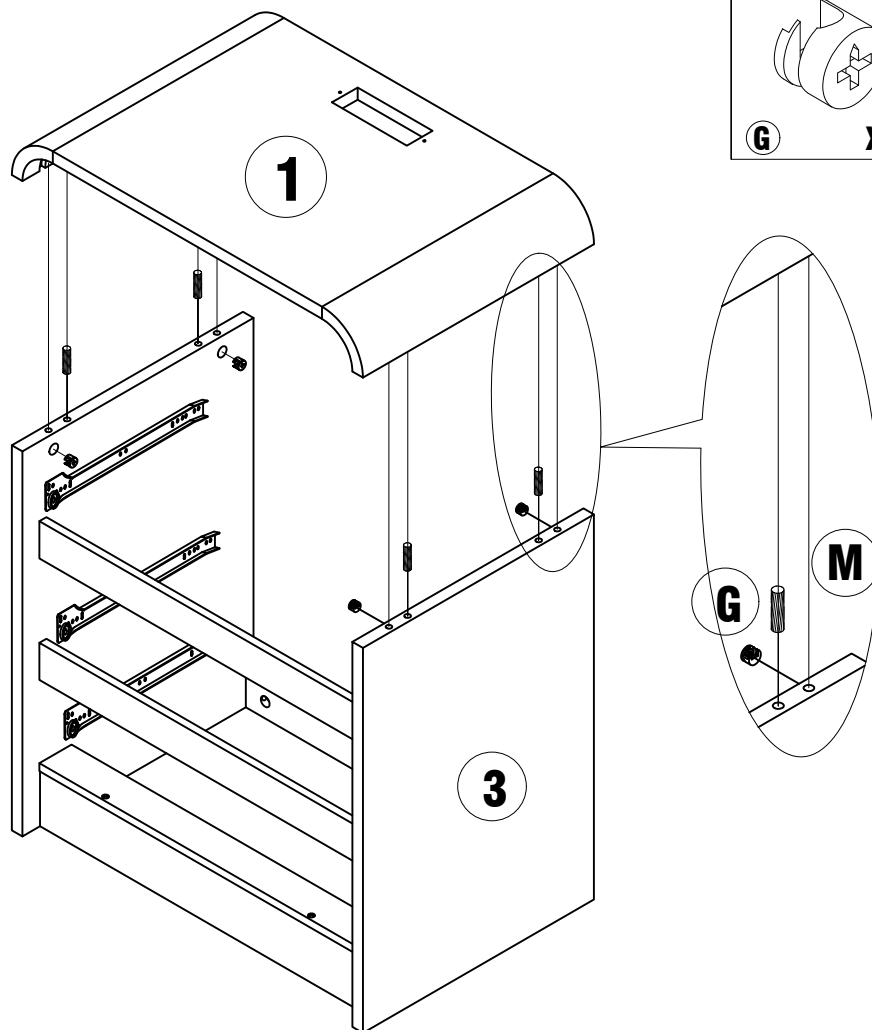
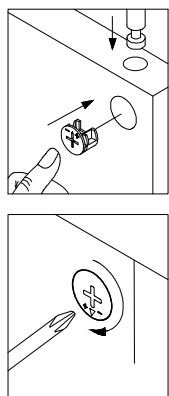
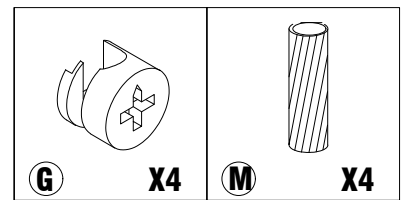
# STEP 7



# STEP 8



# STEP 9

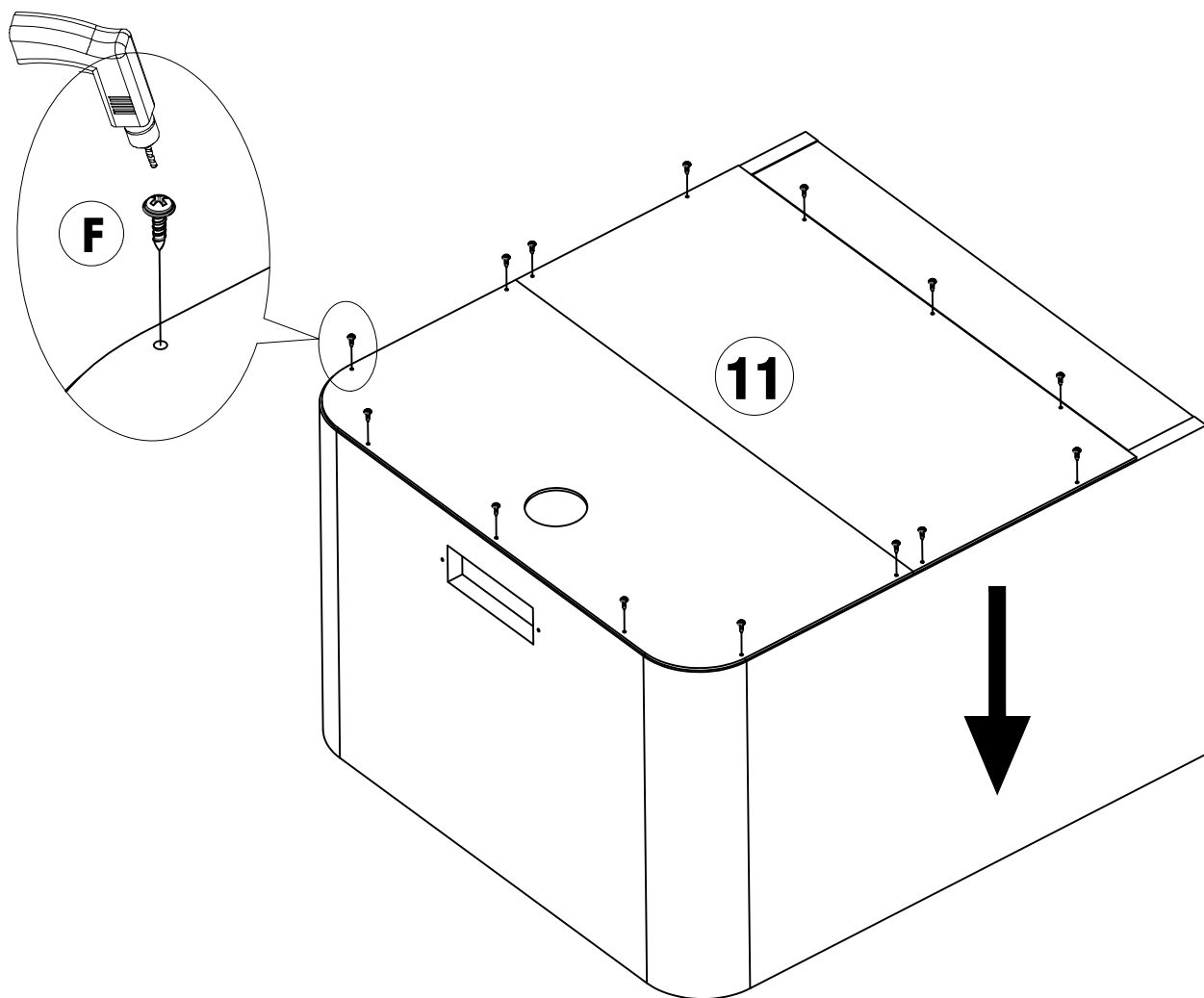


# STEP 10

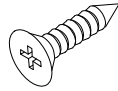



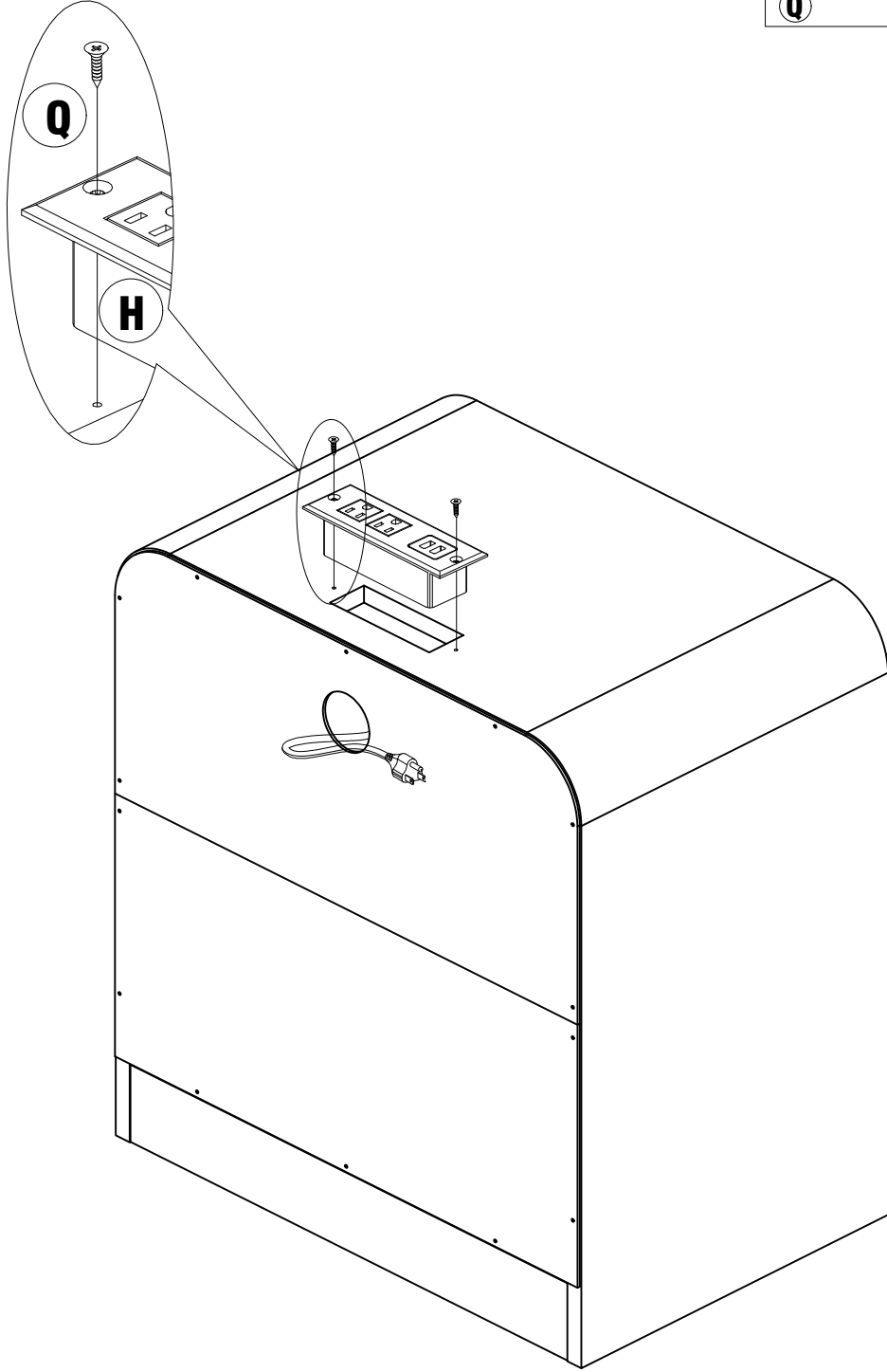
F

X14

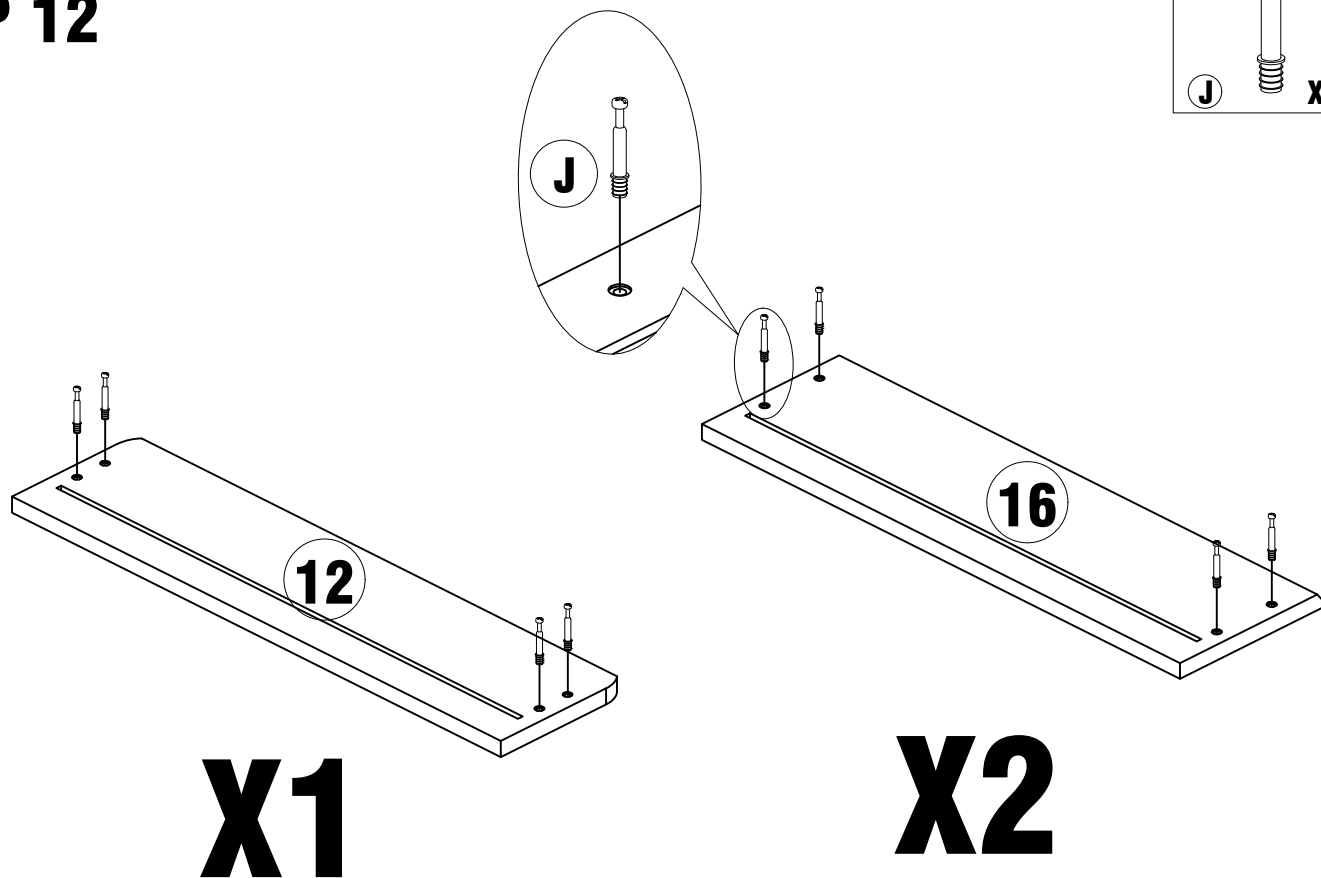
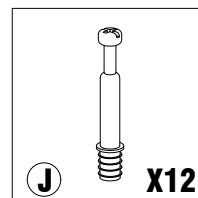


# STEP 11

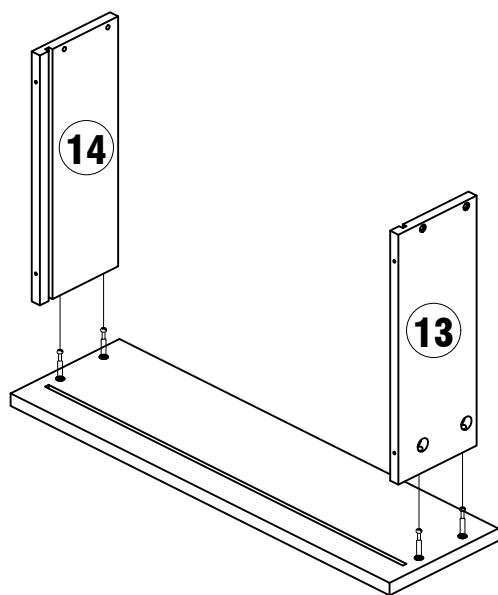
	
<b>Q</b>	<b>X2</b>
<b>H</b>	<b>X1</b>



# STEP 12

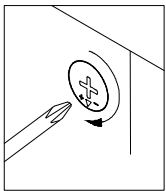
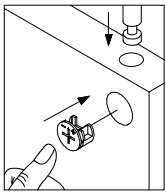
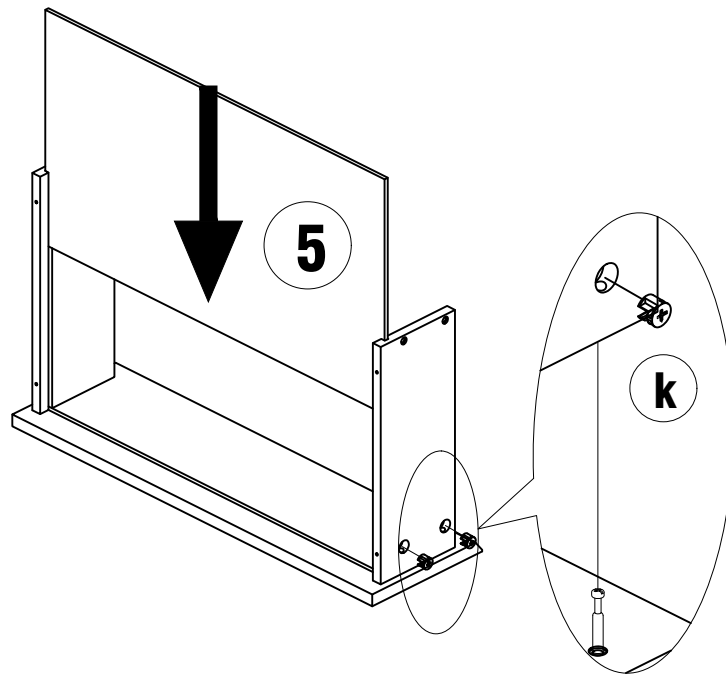
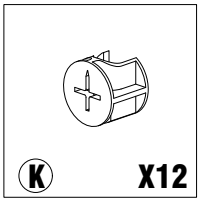


# STEP 13



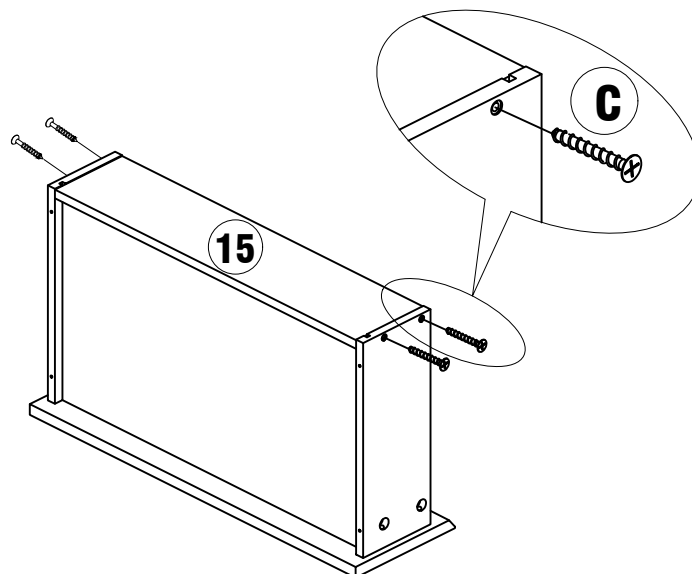
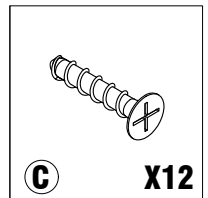
# X3

# STEP 14



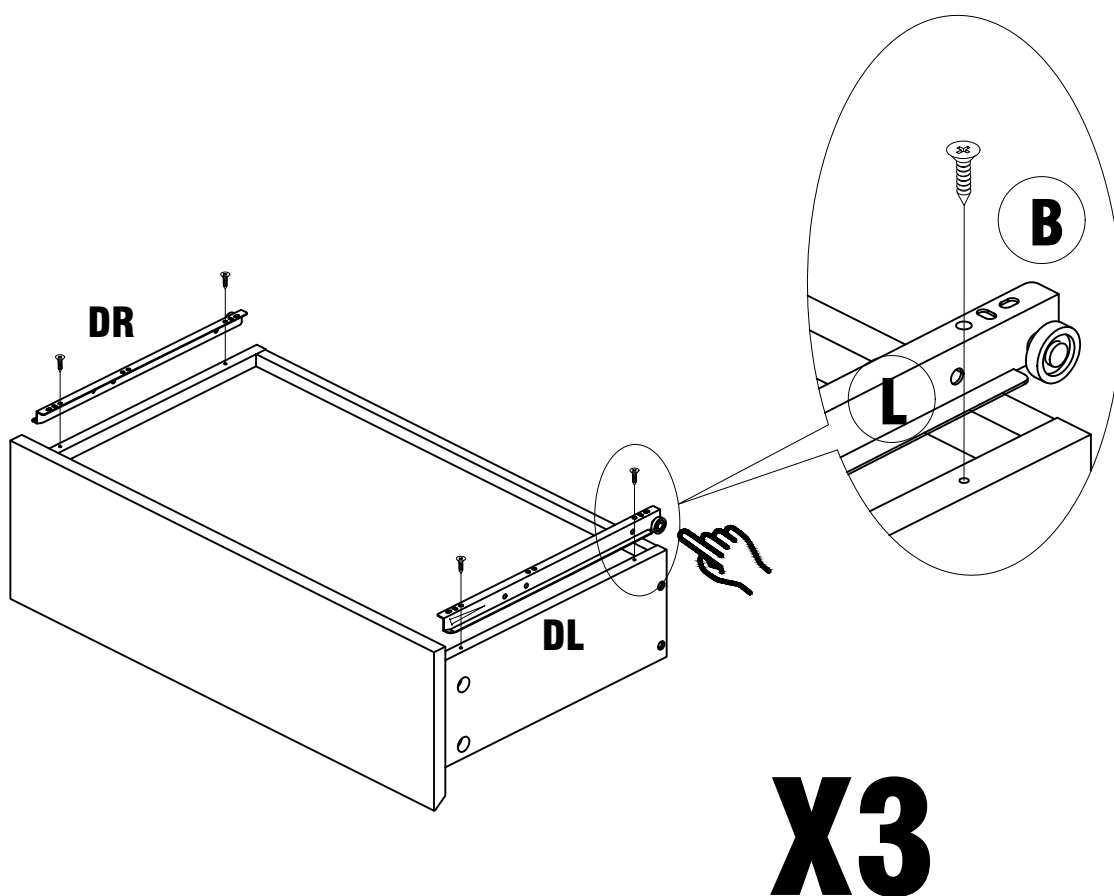
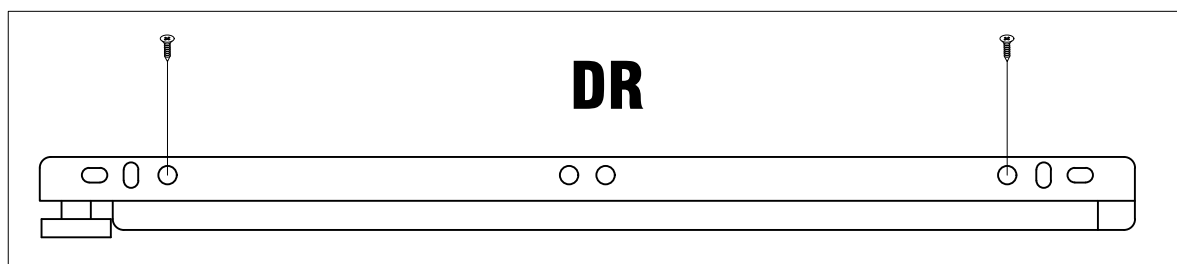
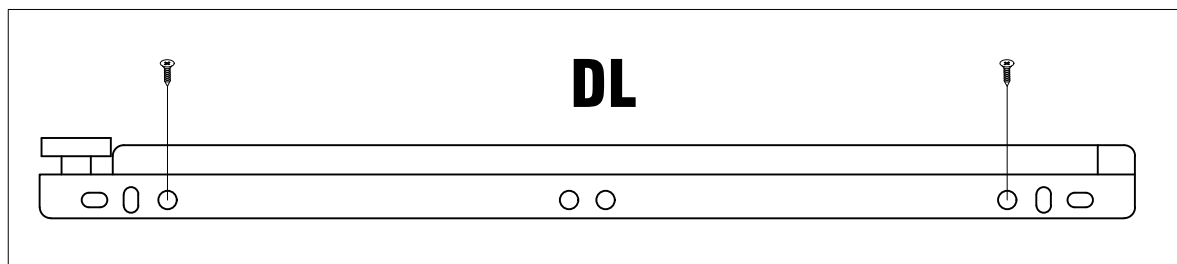
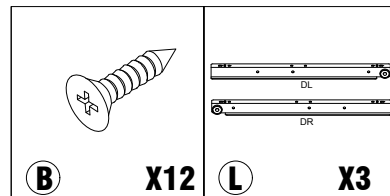
# X3

# STEP 15



# X3

# STEP 16



# STEP 17

