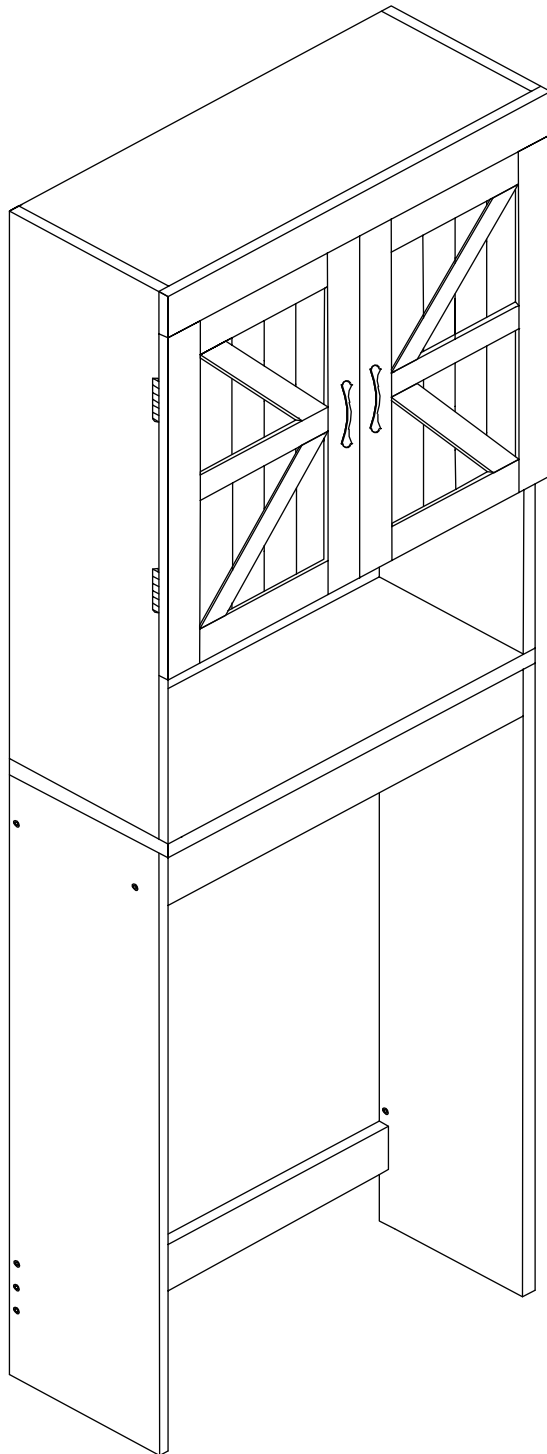


Instructions



General Guidelines

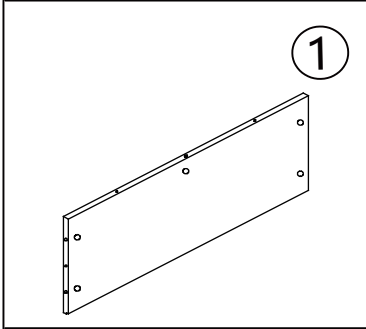
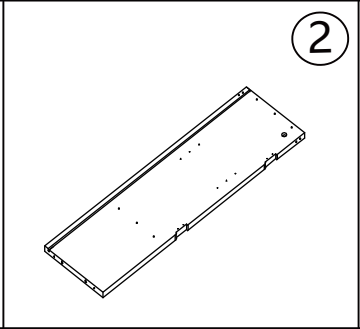
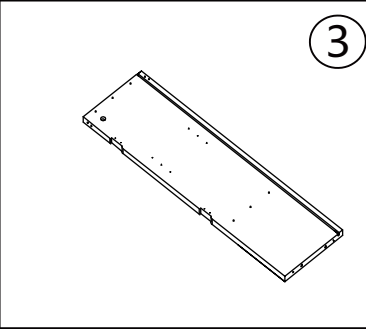
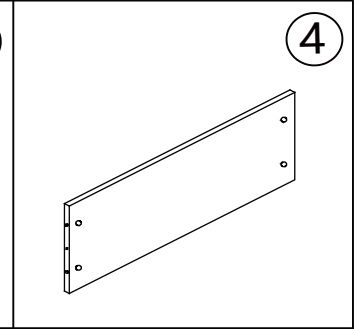
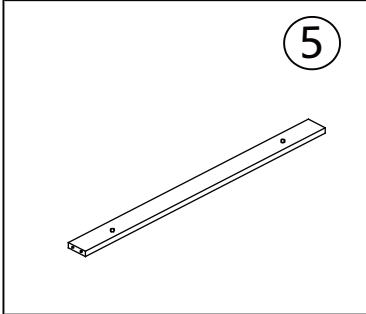
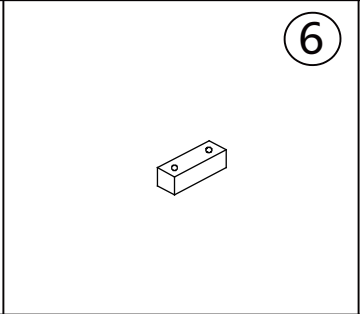
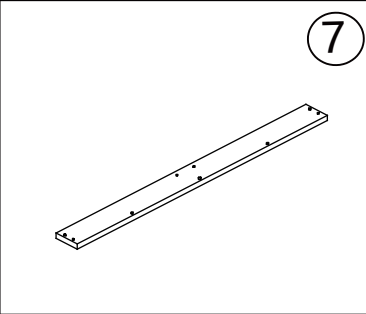
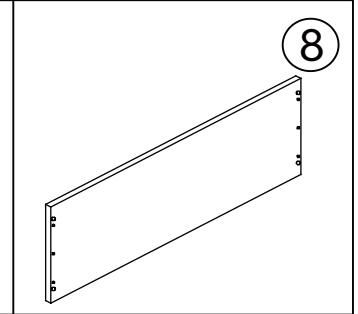
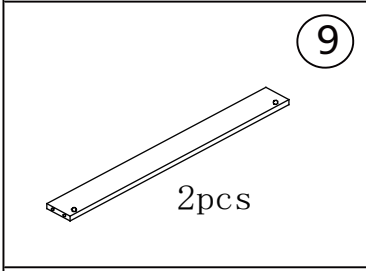
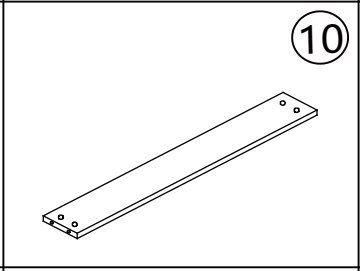
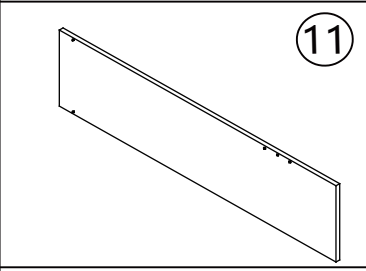
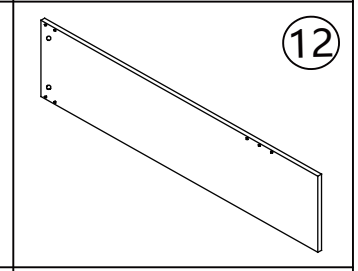
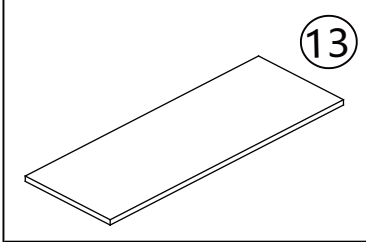
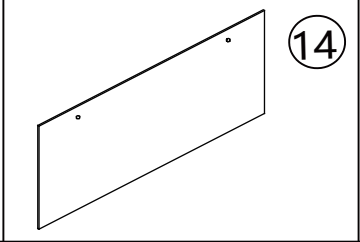
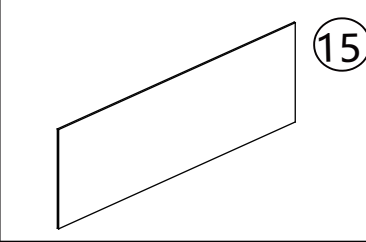
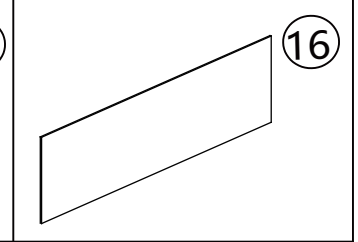
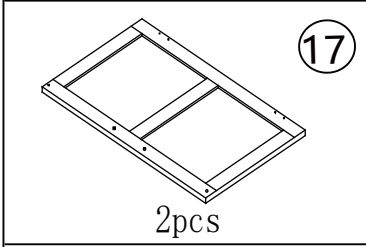
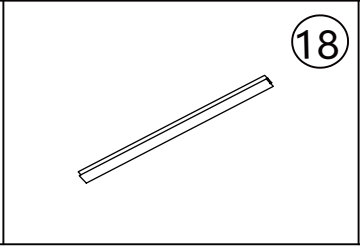




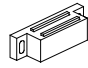




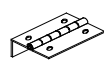









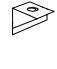
- *Please read the following instruction carefully and use the product accordingly.*
- *Please keep this manual and hand it over when you transfer the product.*

Notes

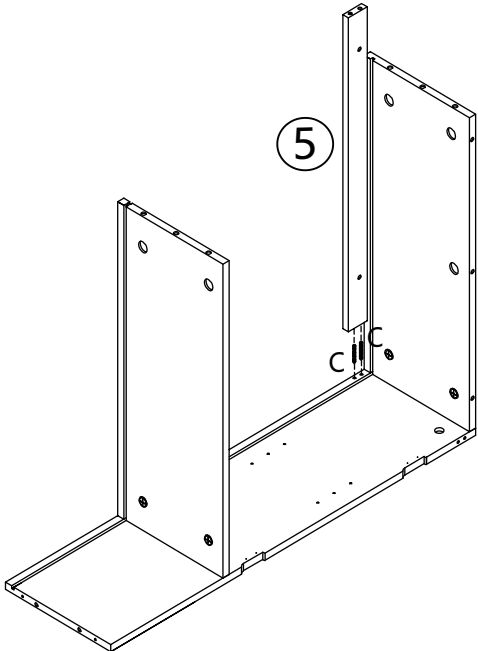
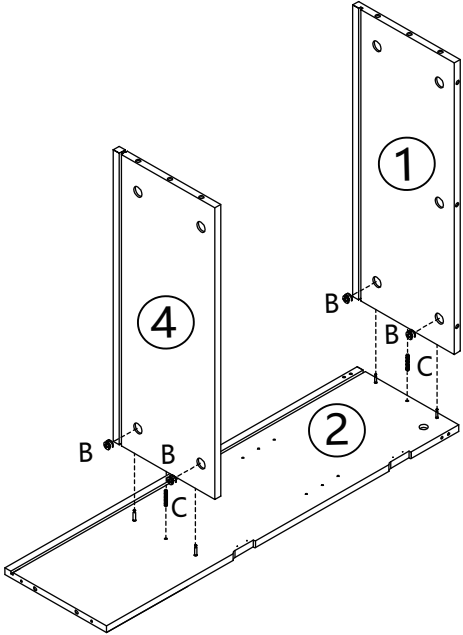
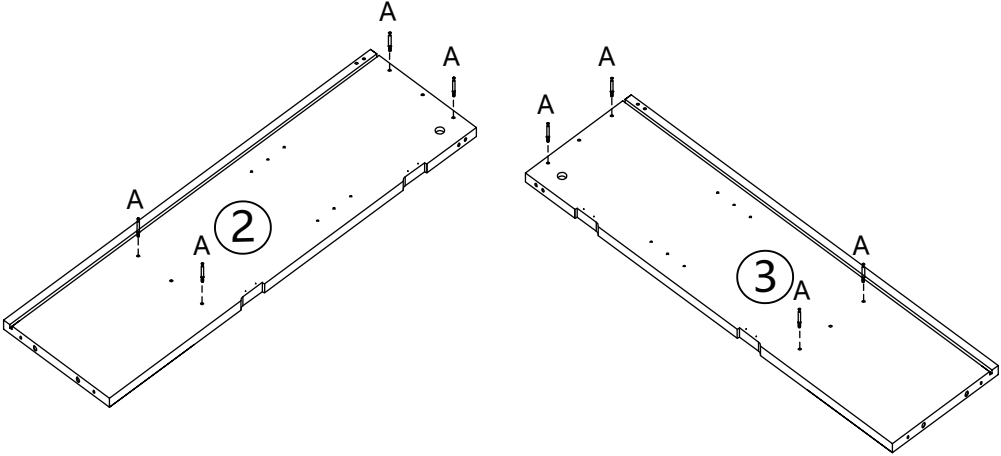
- *The product is intended for indoor use only. The seller does not assume any responsibility or liability with respect to any damage caused by incorrect assembly or improper use.*
- *Keep away from exposure to direct sunlight or rain, and away from heat sources. Place it in a dry area to avoid peeling or fading.*
- *Please check if there is any welding spatter or debris when you receive the product.*
- *If there are defective or missing parts after unpacking, please contact us immediately.*
- *Please examine the tightness of screws regularly to prevent potential toppling hazard posed by loose screws.*
- *Wipe off any liquid on the tabletop and metal frame with a dry soft towel. Use soft cloth and neutral detergent to wipe it clean, then wipe dry. Do not use an abrasive agent to wipe the product.*

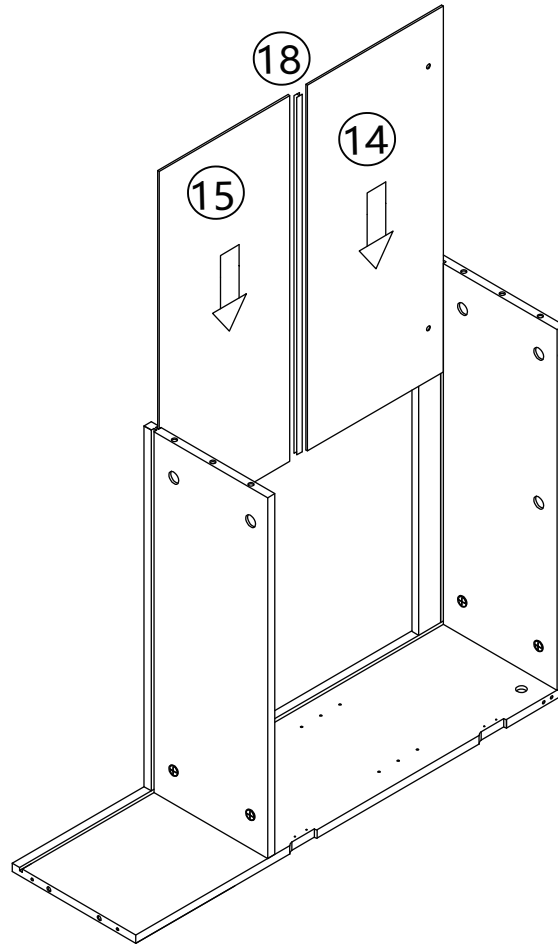
Warnings

- *Do not allow children to climb or play on the product to avoid body injury caused by tilting.*
- *To avoid potential danger of suffocation, keep all parts and packaging (films, plastic bags and foam, etc.) away from babies and children.*
- *Keep away from sharp or corrosive items to avoid potential product damage or bodily injury.*

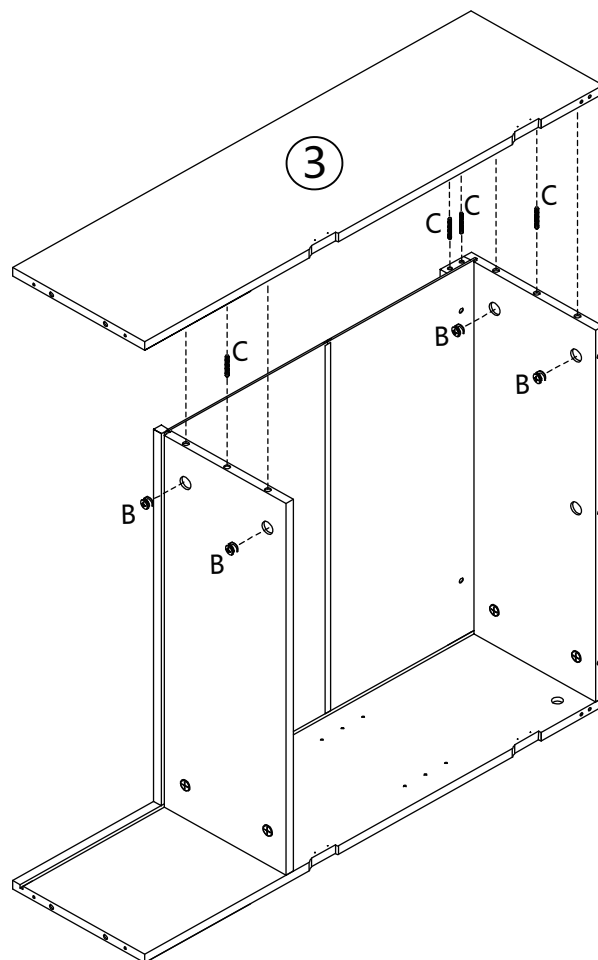
 1	 2	 3	 4	
 5	 6	 7	 8	
 9 2pcs	 10	 11	 12	
 13	 14	 15	 16	
 17 2pcs	 18			
 AX15PCS	 BX15PCS	 6x30 CX22PCS	 4x30 DX6PCS	 EX1PC
 3x14 FX2PCS	 6x50 GX8PCS	 HX8PCS	 IX6PCS	 JX4PCS
 3x12 KX16PCS	 LX2PCS	 MX4PCS	 NX2PCS	 OX4PCS
 4x35 PX2PCS	 QX2PCS	 RX1PC	 3x12 SX2PCS	 TX6PCS

The rod of screw must be completely screwed into the hole.

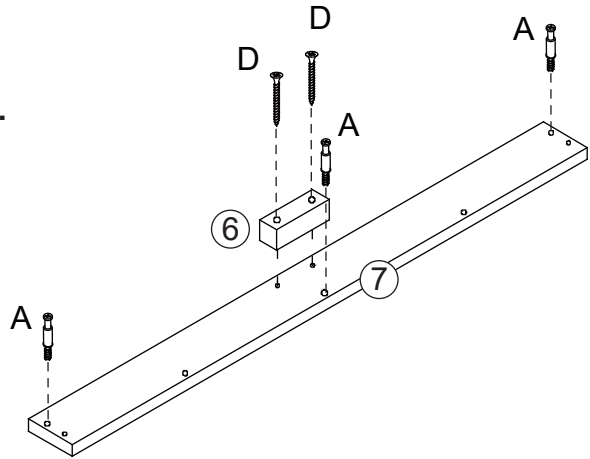




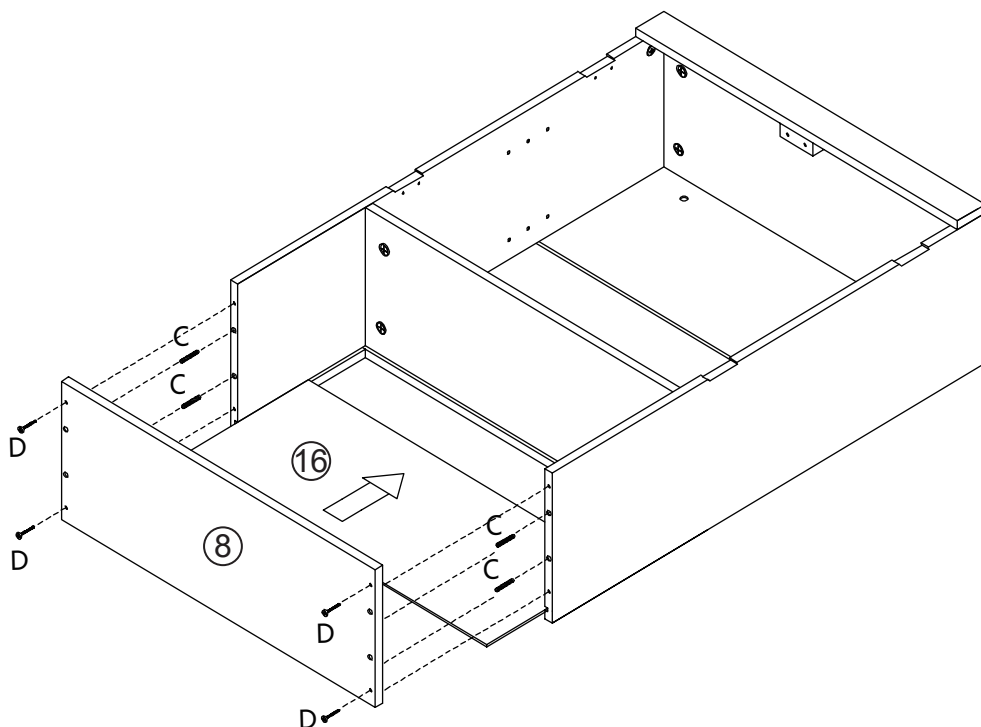
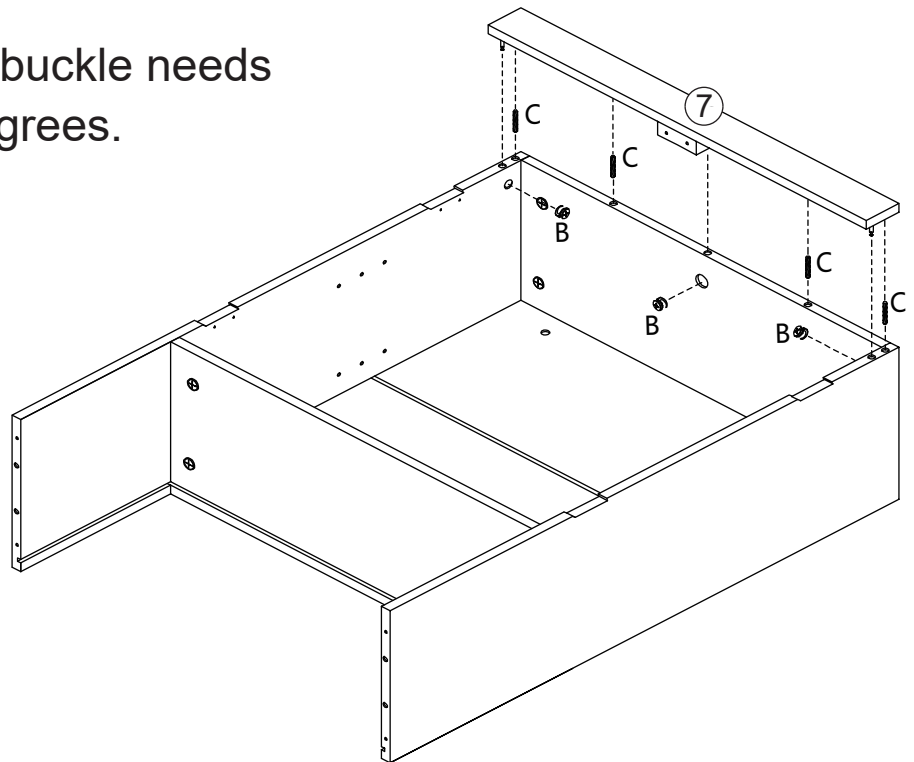
Two-in-one invisible buckle needs to be twisted 180 degrees.



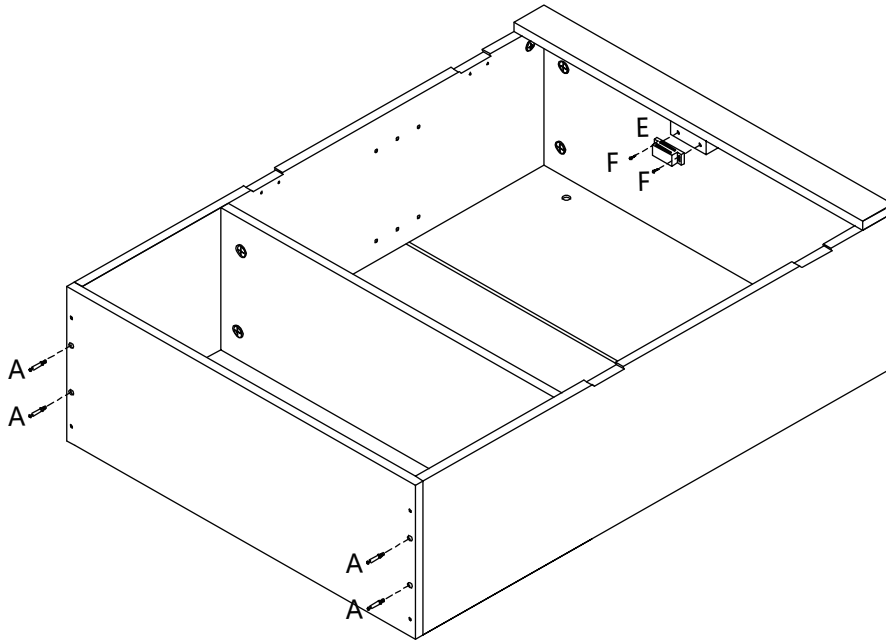
The rod of screw must be completely screwed into the hole.



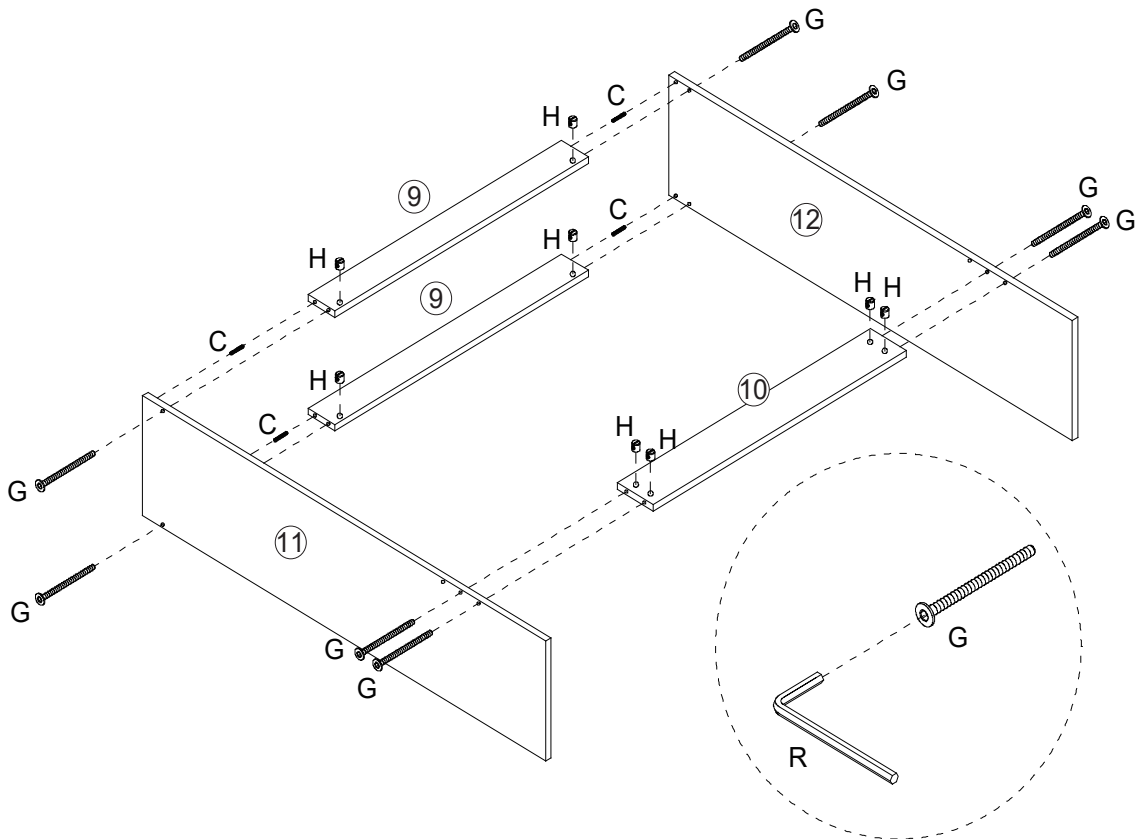
Two-in-one invisible buckle needs to be twisted 180 degrees.



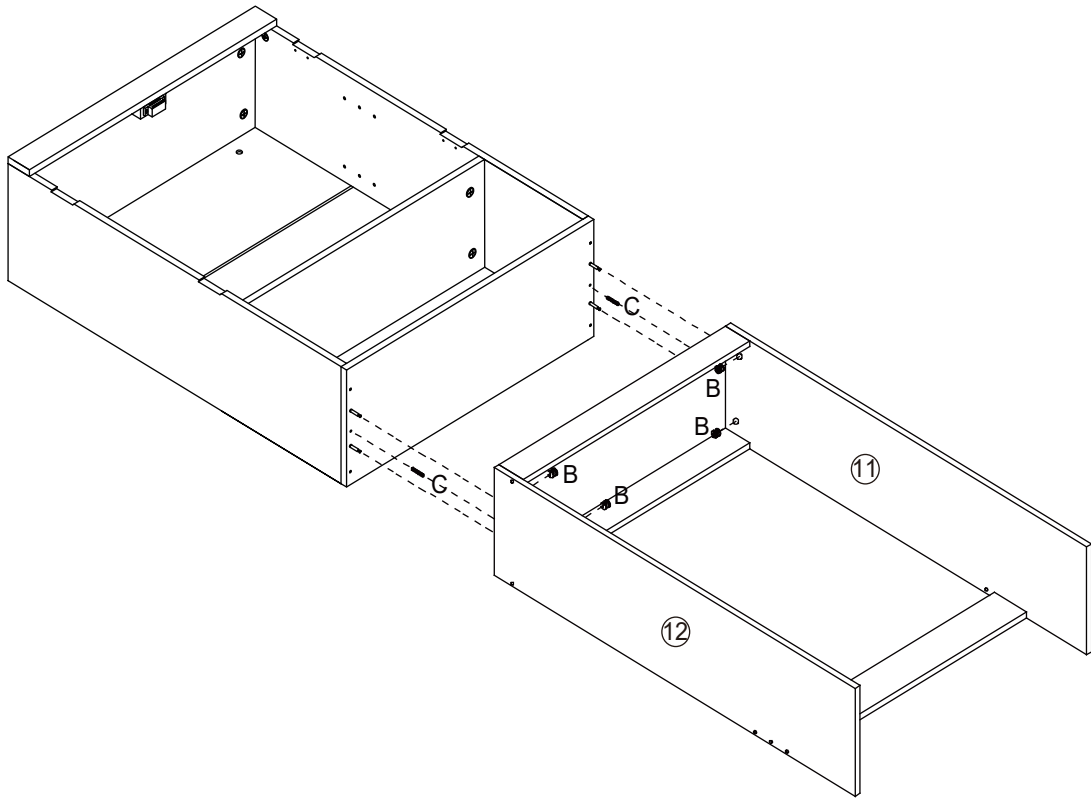
The rod of screw must be completely screwed into the hole.



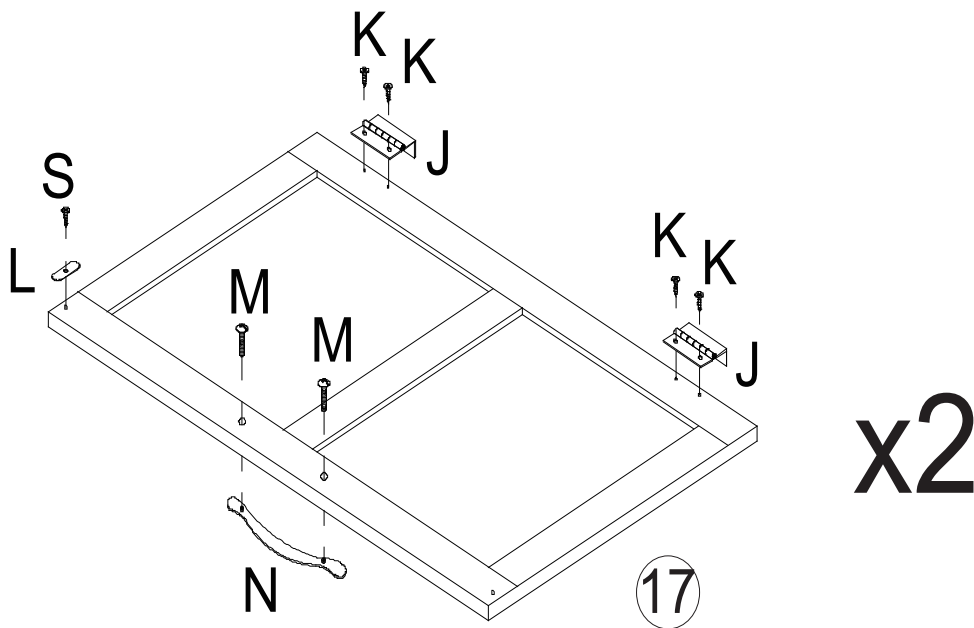
No.10 plate allows you to choose the height of the mounting position.



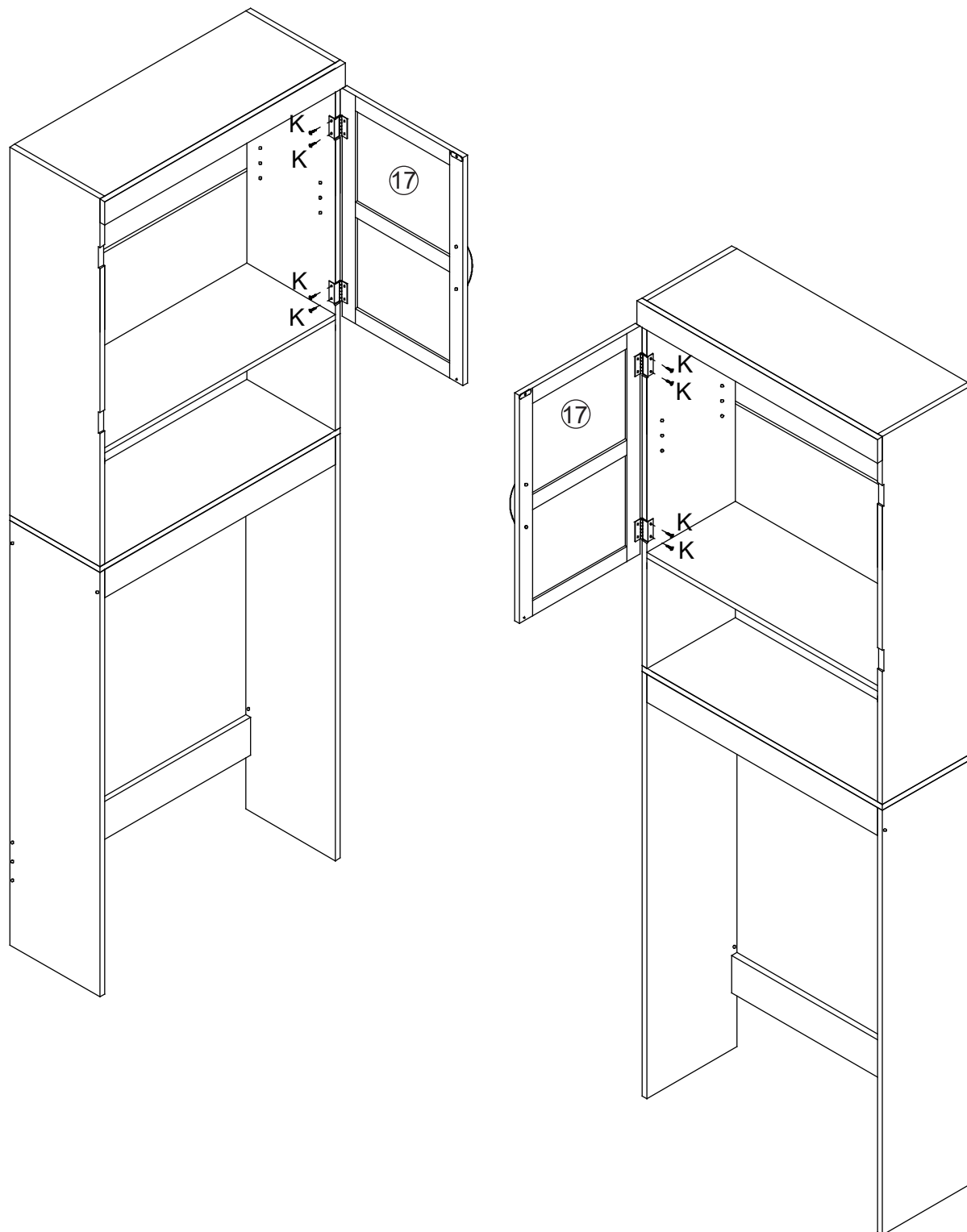
Two-in-one invisible buckle needs to be twisted 180 degrees.

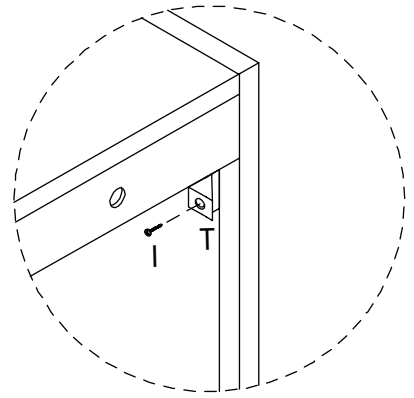
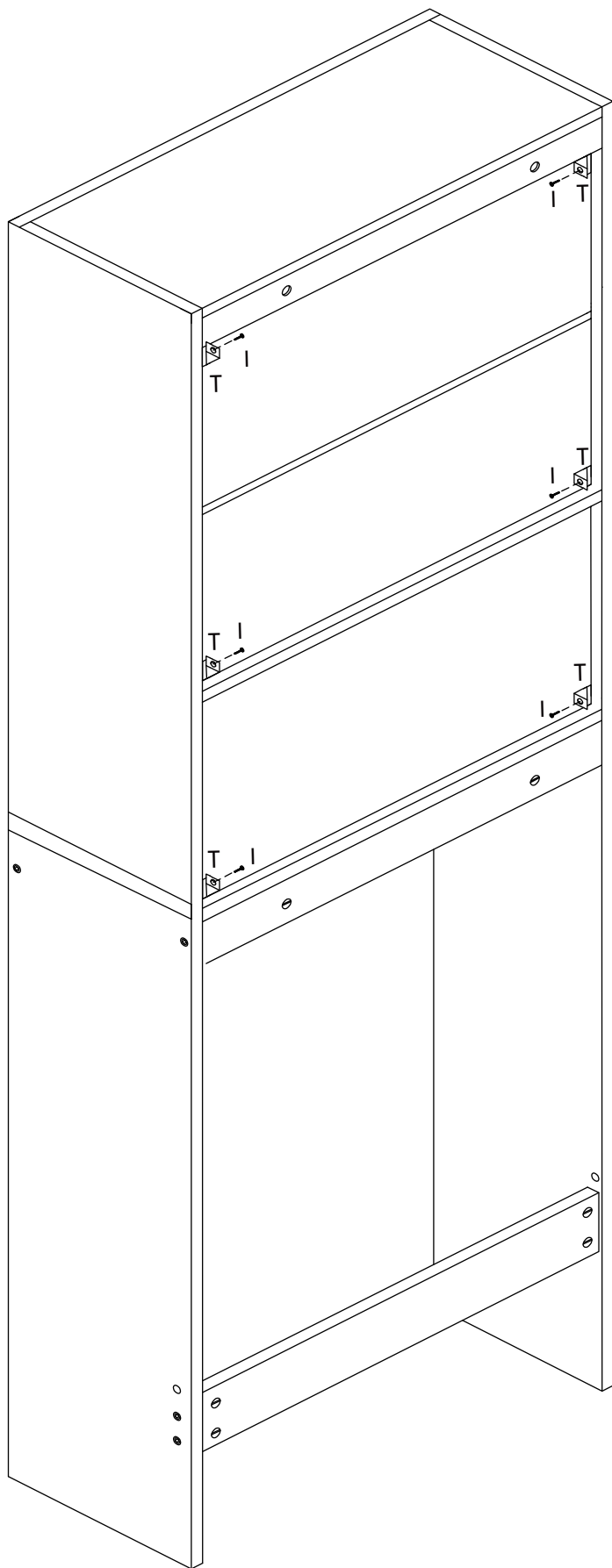


The metal hinges must be aligned with the holes of the door before you tighten screws.



When assembling the door to the cabinet, the metal hinges must be completely aligned with the holes of the cabinet.





Drill holes on the wall horizontally to avoid cabinet skewing which may cause scratches of the door during use.

