




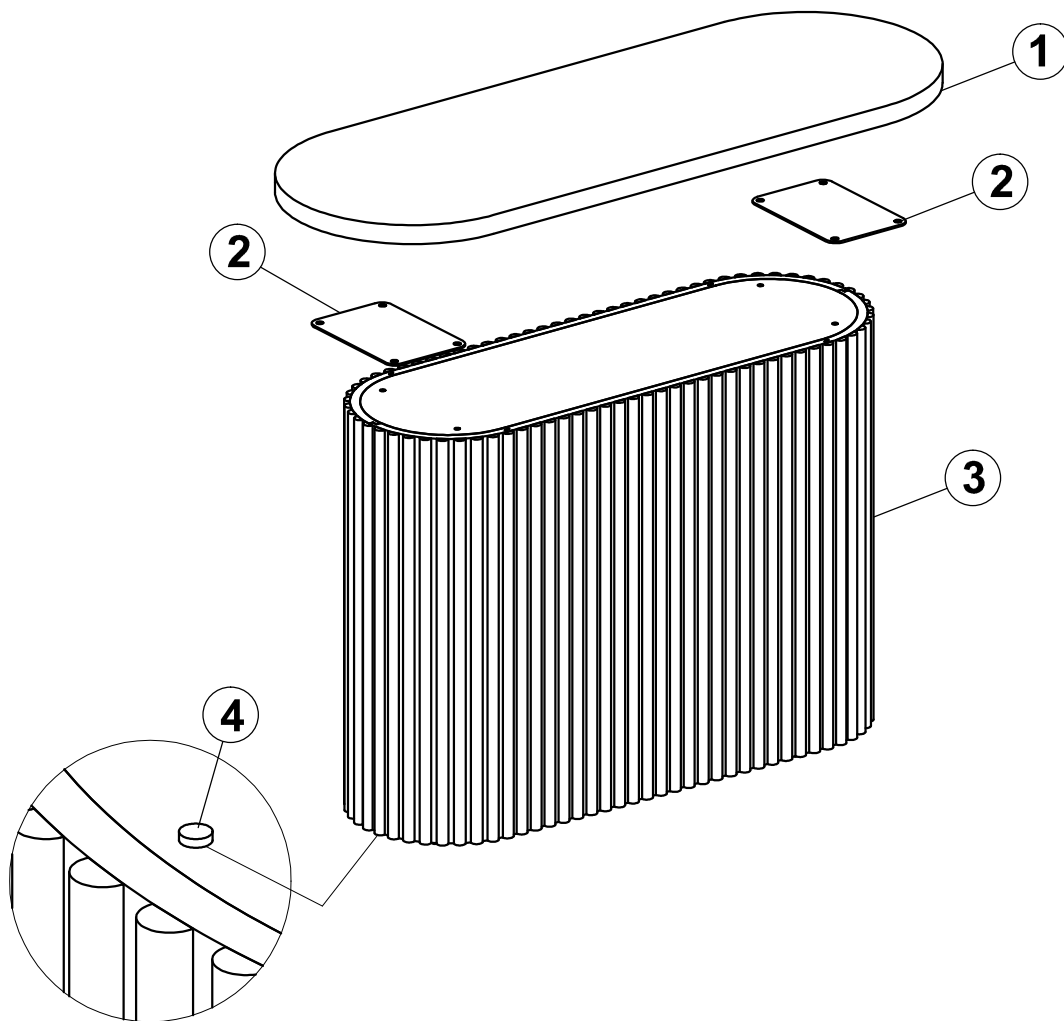
ASSEMBLY INSTRUCTIONS & PARTS IDENTIFICATION

AUDEN SOFA TABLE NATURAL

Thank you for purchasing this quality product. Be sure to check all packing material carefully for small parts that may have come loose inside the carton during shipment.

Hardware kit				Key Parts			
No	Description		Q'Ty	No	Code	Description	Q'Ty
A		Bolt Ø6.3 x 0.794 x 15mm(L)	4 pcs	1		Table Top	1 pc
B		Flat Washer Ø6.3	4 pcs	2		Mounting Plate	2 pcs
C		Allen Key	1 pc	3		Table Leg	1 pc
				4		Floor Glide	8 pcs

**TWO PERSONS ARE REQUIRED
TO SET UP THE TABLE
DO NOT USE POWER TOOLS**



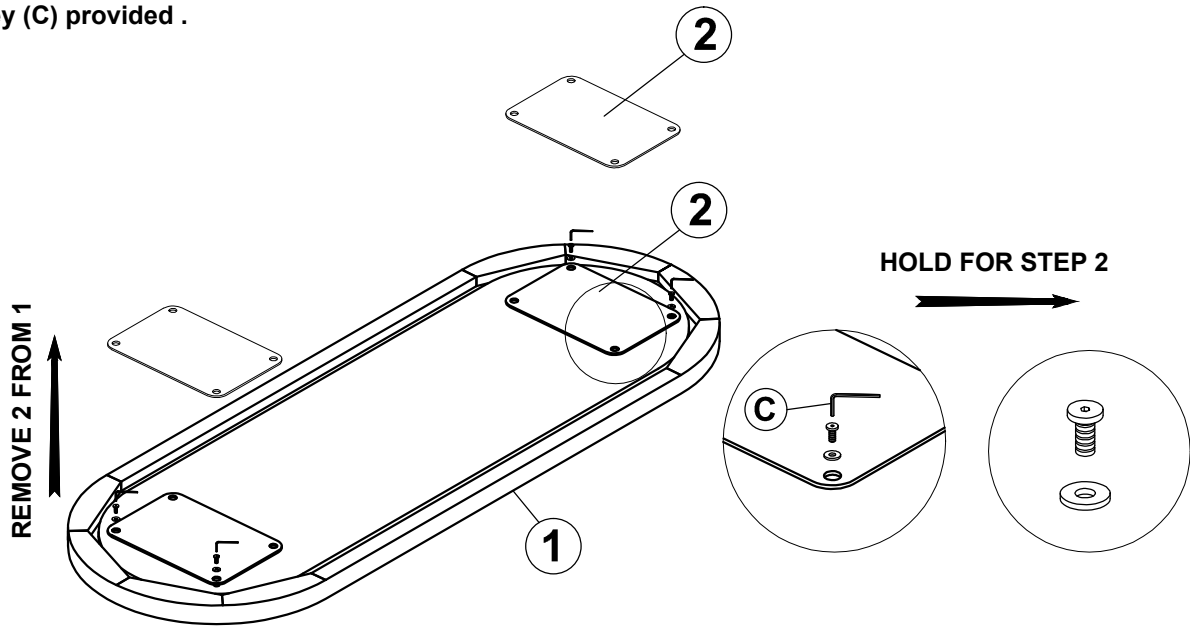
ASSEMBLY INSTRUCTIONS & PARTS IDENTIFICATION

AUDEN SOFA TABLE NATURAL

Thank you for purchasing this quality product. Be sure to check all packing material carefully for small parts that may have come loose inside the carton during shipment.

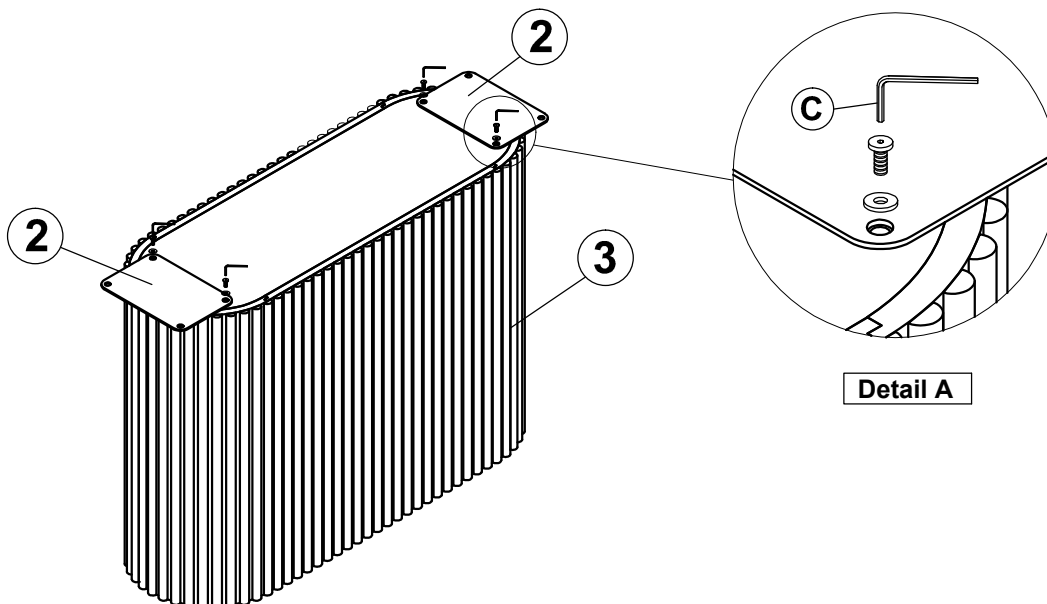
STEP 1

- Carefully lay Table Top on a smooth flat surface to prevent scratches.
- Remove the Mounting Plate from Table Top using Allen Key (C) provided .



STEP 2

- Attach the Mounting Plate to the top of the assembled Pedestal Base using a Bolt, Flat Washer disconnected in Step 1 and Allen Key (C) provided. (See Detail A)
- Make sure all bolts are securely tightened.



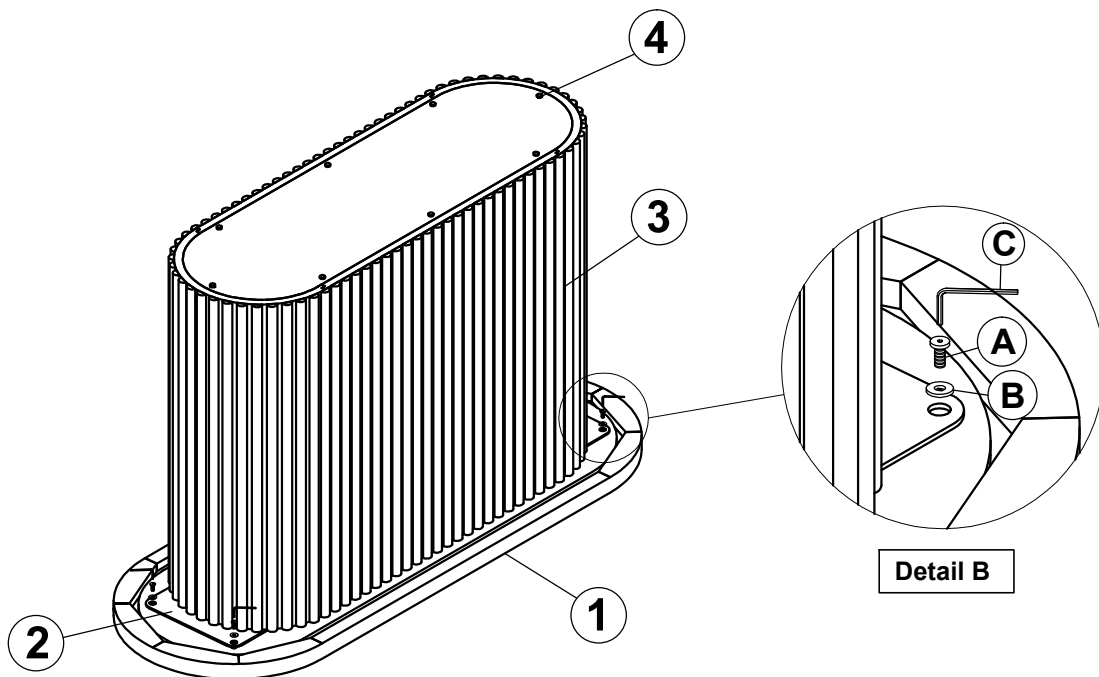
ASSEMBLY INSTRUCTIONS & PARTS IDENTIFICATION

AUDEN SOFA TABLE NATURAL

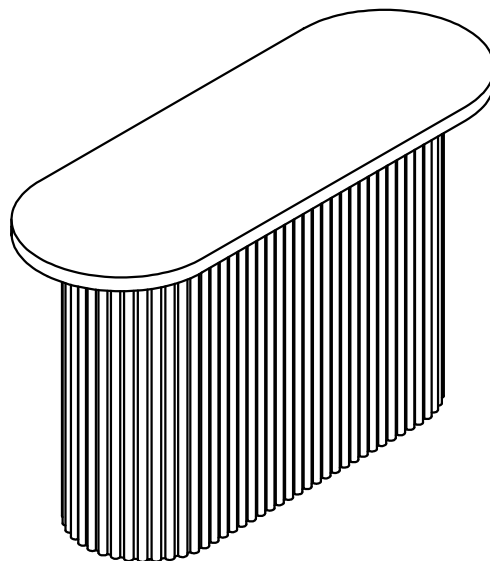
Thank you for purchasing this quality product. Be sure to check all packing material carefully for small parts that may have come loose inside the carton during shipment.

STEP 3

- Lay the Table Top upside down on a clean padded surface to prevent scratching.
- Attach the Mounting Plate to the Table Top using a Bolt (A), Flat Washer (B) and Allen Key (C) provided. (See Detail B)
- Make sure all bolts are securely tightened.
- With help from the second person, carefully turn the table upright.



ASSEMBLY COMPLETED



DO NOT ATTEMPT TO TRANSPORT THE TABLE WITH THE BASE ATTACHED.
TOP MUST BE REMOVED AND TRANSPORTED AS TWO PIECES.