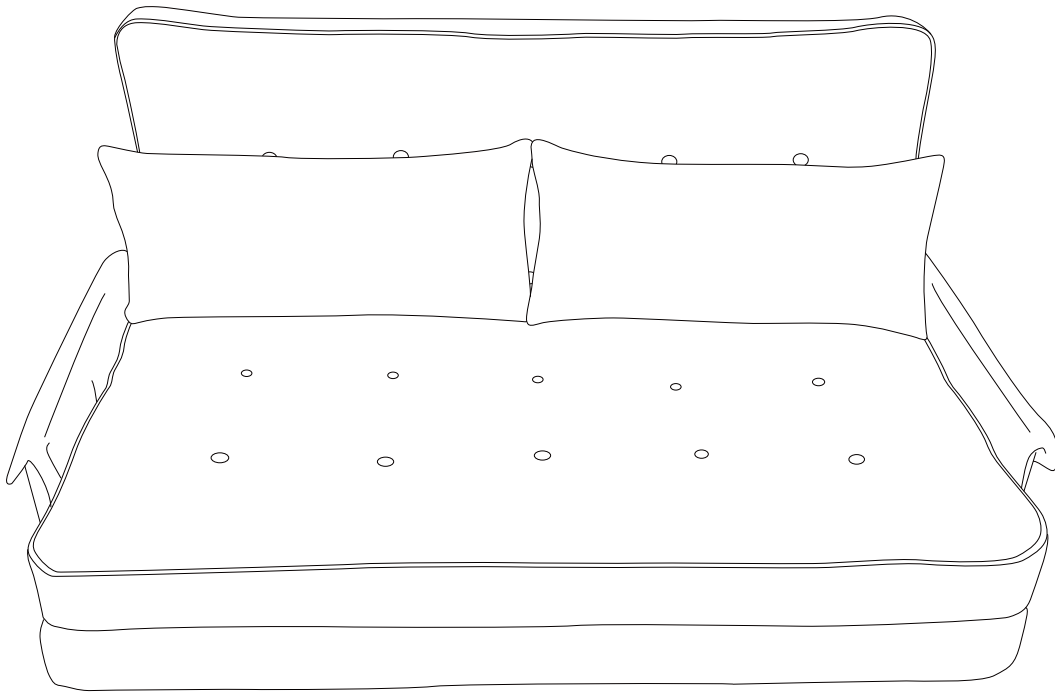


# Assembly Manual

## Sofa



Please read this manual carefully before any operation and keep it properly for future use. If any problems on our product, please feel free to contact us.



Congratulations on becoming our exclusive member

Thank you for choosing our product! We hope it brings you joy and convenience. If you have any questions, feel free to reach out! If you enjoy our chairs and would like to share your experience with a photo or video, please contact us in the email below and we have a great gift for you.

Wishing you a wonderful day!

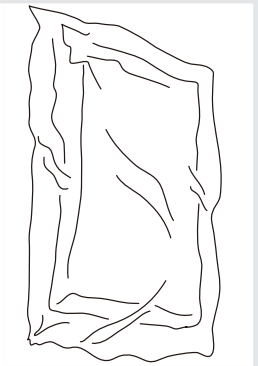
# Safety and Care Advice

**Important – Please read these instructions fully before starting assembly**

Thanks for your purchase. Before the assembly. Please follow the instruction to check if all the spare parts and screws are intact.

- Considering the size and weight of the sofa, we recommend two adults to assemble the sofa, on a carpeted or padded area, in the room that it is intended for. Approximate assembly time: 30 minutes.
- Please do not throw away any of the packaging or the instruction until the furniture is fully assembled. Please ensure that the packaging is disposed in a safe and environmentally friendly way.
- Keep all components and packaging out of reach of children or animals to avoid risk of choking or suffocation
- Please do not take off the cover, and do not wash.

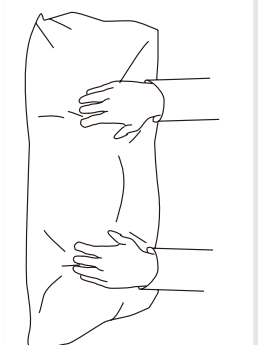
Your cushions come vacuum packed and sealed for shipping. To restore the cushion's original shape, follow the steps below.



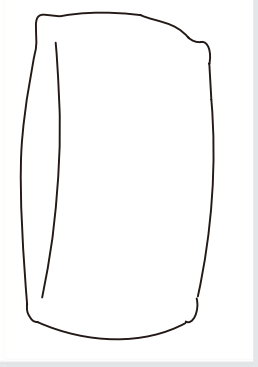
Open the vacuum bag carefully.



Press and tap with both hands from the side to fully inhale air





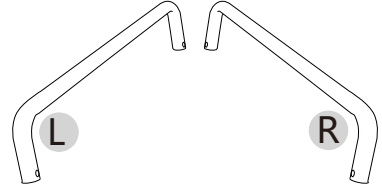
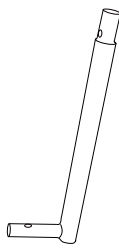
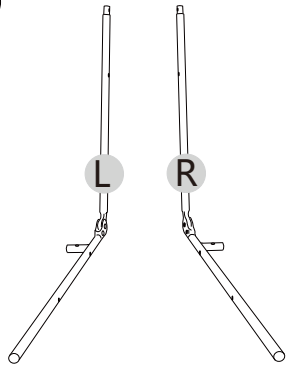

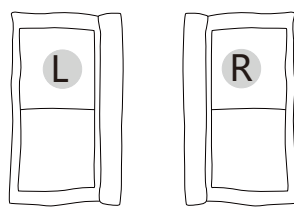
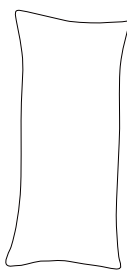
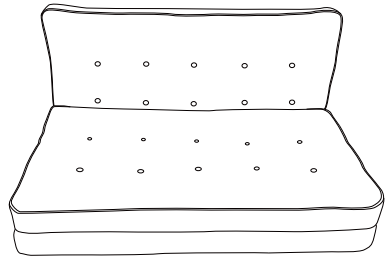
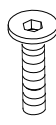
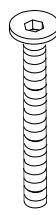
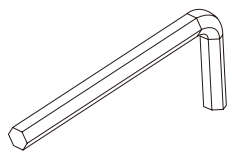
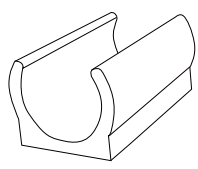
Press and tap with both hands from the front to fully inflate.



Carefully smooth out each section until the surface is even.

After packing up, place them in somewhere dry and ventilated. After about 72-96 hours. It can be restored to the best use condition.

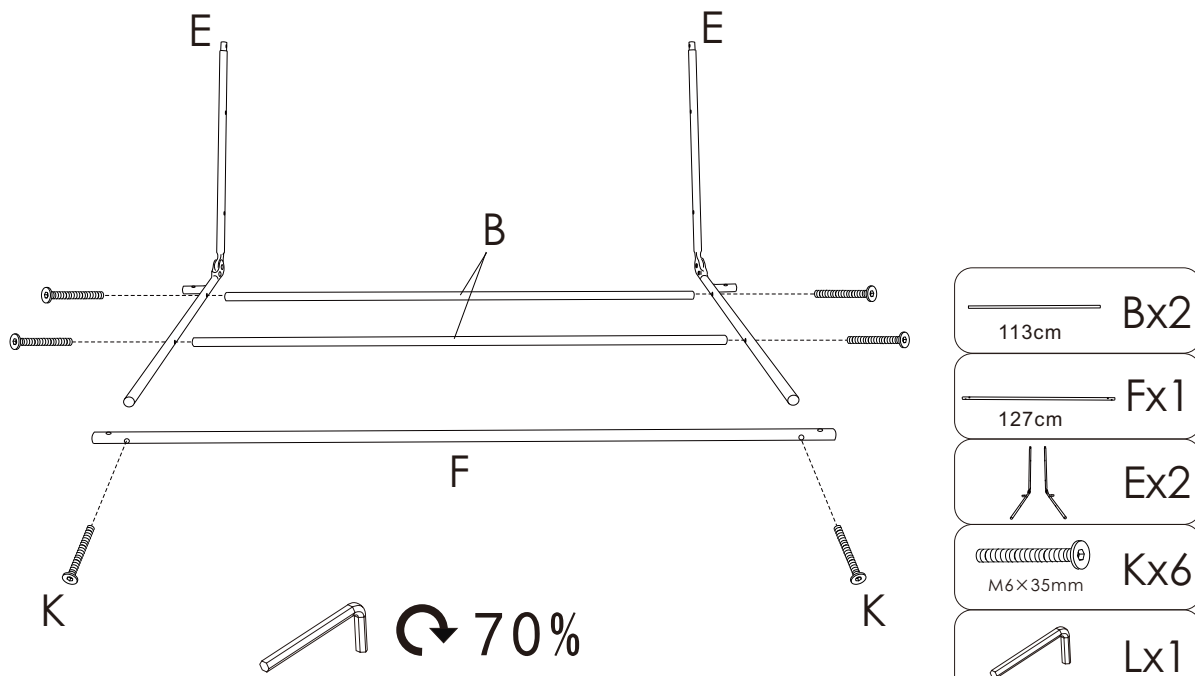
# Components List

<p>(A)</p>  <p>117cm-length</p> <p>x1</p>	<p>(B)</p>  <p>113cm-length</p> <p>x4</p>	<p>(C)</p>  <p>53cm-length</p> <p>x2</p>
<p>(D)</p>  <p>x4</p>	<p>(E)</p>  <p>x2</p>	<p>(F)</p>  <p>127cm-length</p> <p>x1</p>
<p>(G)</p>  <p>x2</p>	<p>(H)</p>  <p>x2</p>	<p>(I)</p>  <p>x1</p>
<p>(J)</p> <p>M6×14mm</p>  <p>x10</p>	<p>(K)</p> <p>M6×35mm</p>  <p>x10</p>	<p>(L)</p>  <p>x1</p> <p>(M)</p>  <p>x7</p>

# Assembly Instructions

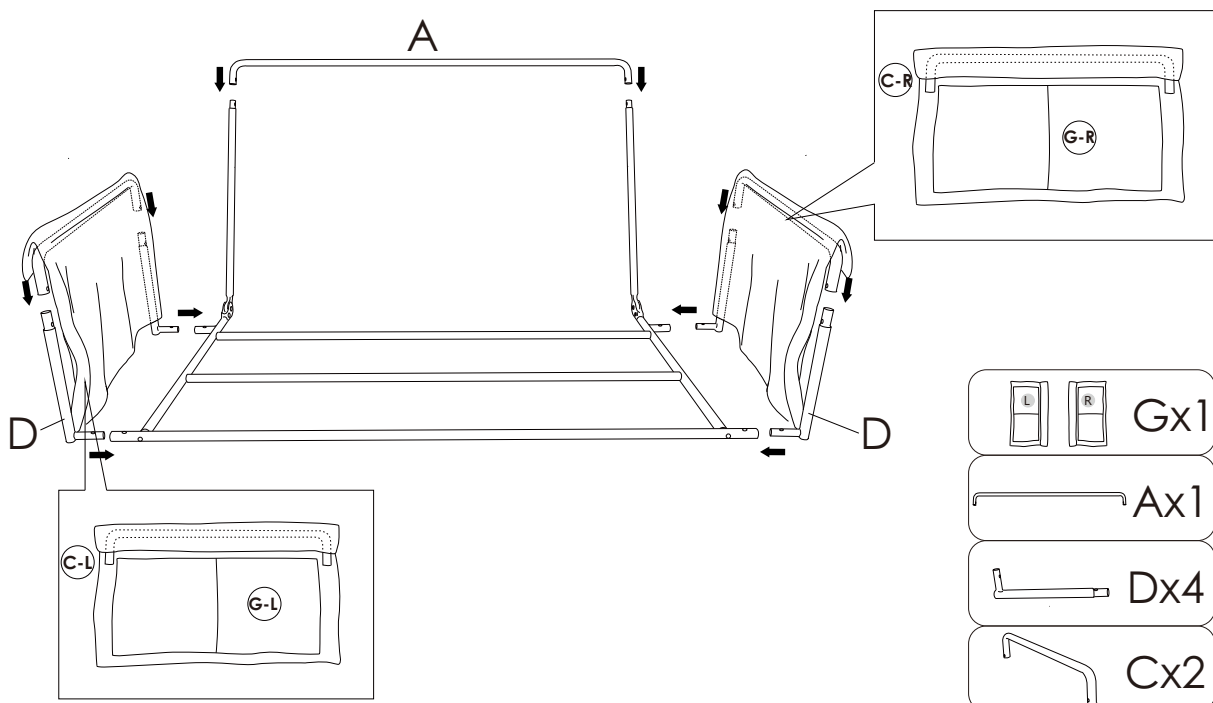
## STEP 1

Firstly, connect the round tube (B) to the limit stop linkage (E), and then attach it to the round tube (F). Note: Do not tighten the screws completely at this stage.



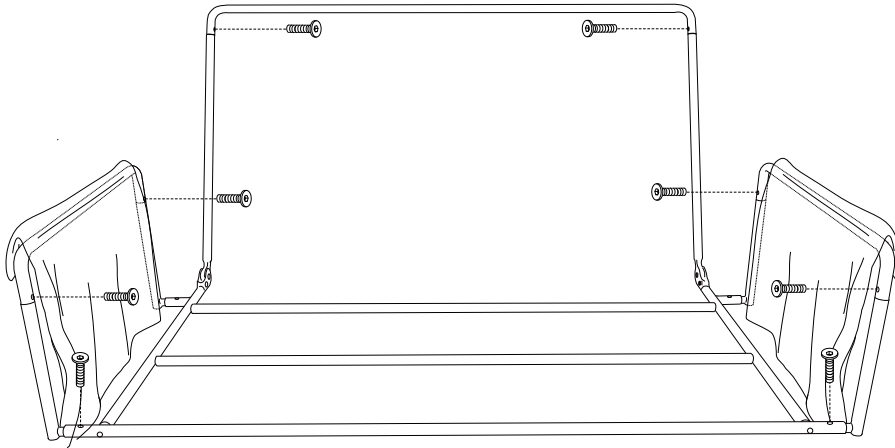
## STEP 2

Assemble by connecting curved sleeve (C) to armrest pocket (G) and elbow tube (D), then insert D parts lower end into the seat frame side, and finally install round tube (A) into the frame.



### STEP 3

Insert screws into the pre-drilled holes but do not tighten them completely.

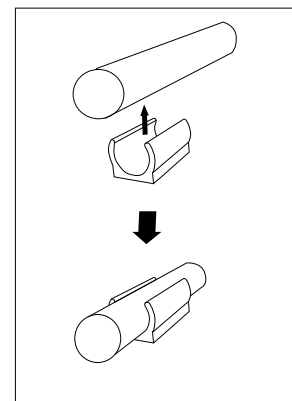
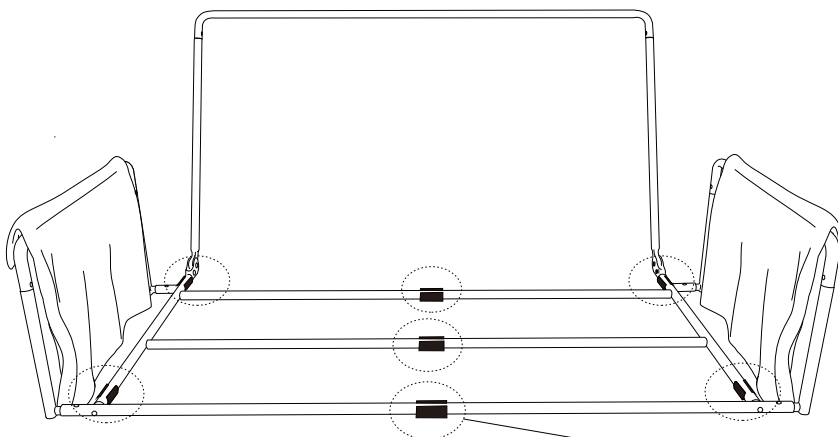


 Kx10  
M6 X 14mm

 Lx1

### STEP 4

Adjust the seat frame and tighten all screws. Snap the seat feet into the positions shown in the diagram.

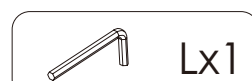
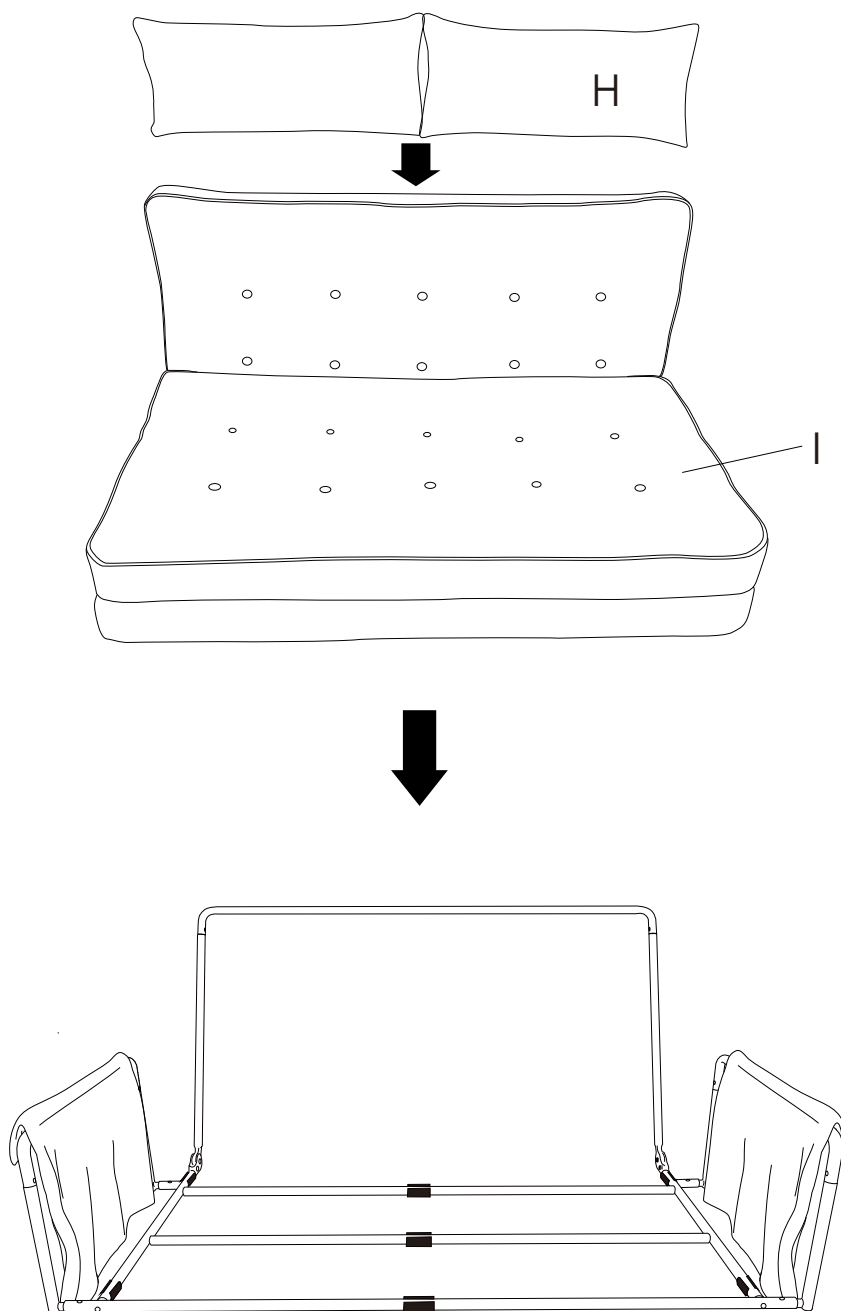


 Lx1

 Mx7

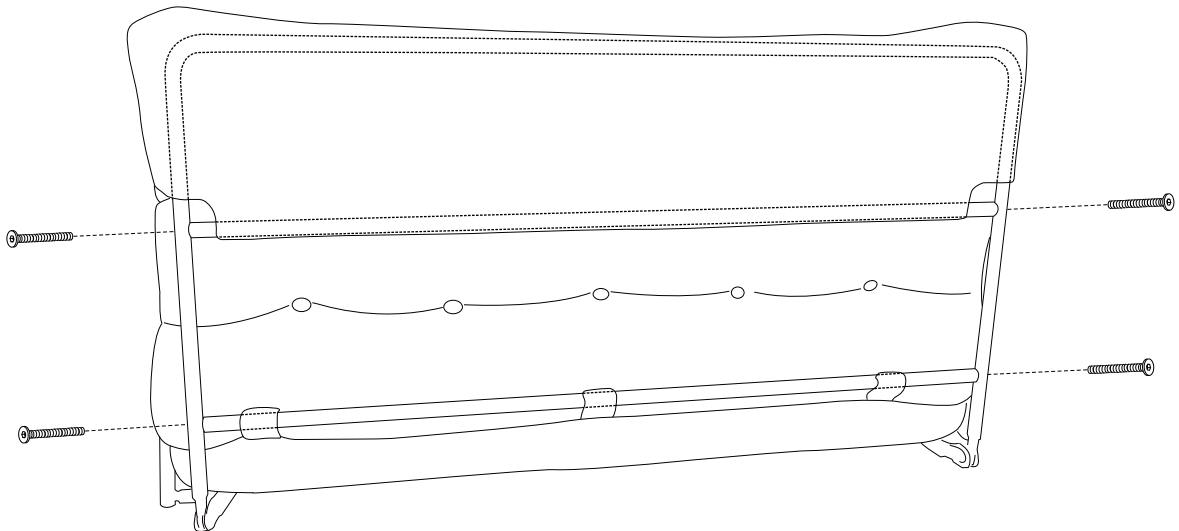
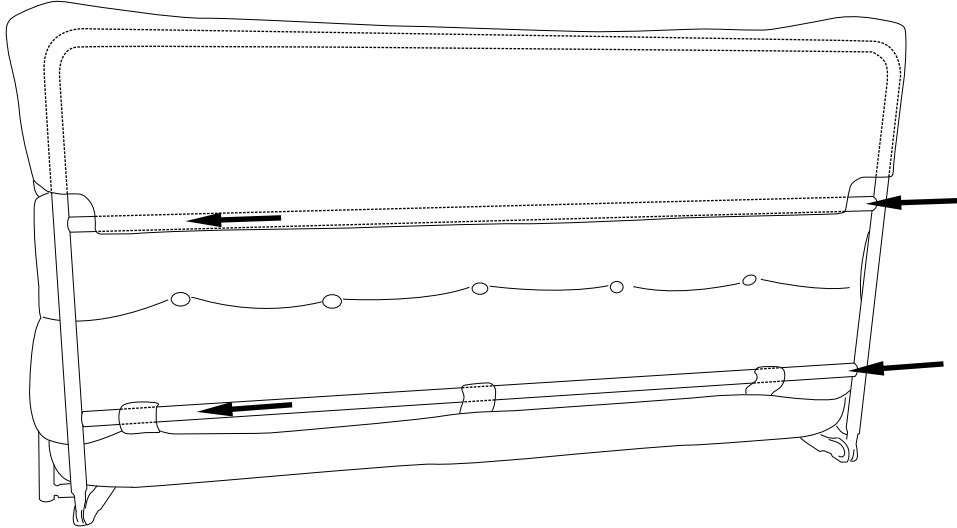
## STEP 5

Place the seat cushion, back cushion, and lumbar cushion onto the seat frame, then slide the fabric sleeve behind the back cushion over the frame backrest to complete installation.



# STEP 6

Slide the backrest fabric sleeve onto the metal frame, then insert the round tubes through both the upper and lower sections of the backrest. Tighten all screws to complete installation.



113cm Bx2

M6 x 35mm Kx4

Lx1

