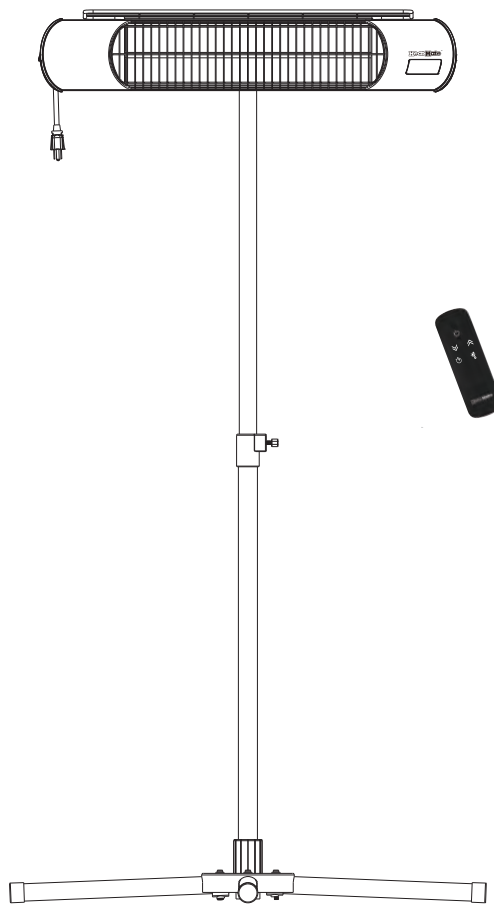


# Far Infrared Graphite Heater

## HME-GS10

### Operator's Manual



In order to use it properly, please read this operator's manual carefully before using. Please keep the operator's manual along with the warranty certificate in a place where they are accessible to the user of the heater at any time, even after reading.

# SENGOKU L.A., LTD.

1-877-438-4328

# IMPORTANT INSTRUCTIONS

READ CAREFULLY-The far infrared graphite heater is designed for safe operation. Nevertheless, installation, maintenance and operation of the heater can be dangerous. Observing the following procedures will reduce the risk of fire, electric shock, or injury and keep installation time to a minimum.

When using electrical appliances, basic precautions should always be followed to reduce the risk of fire, electric shock, and injury, including the following:

Read all instruction before using this heater.

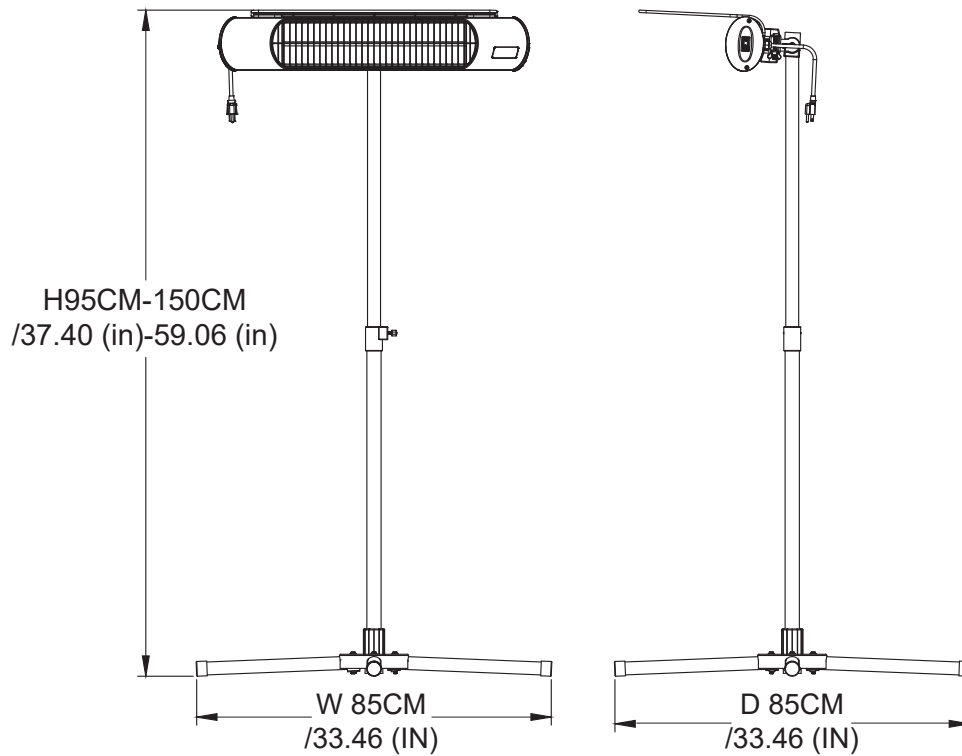
1. Remove the unit from its packaging and check to make sure it is in good condition before using.
2. Make sure all holding tapes are removed before using.
3. Do not let children play with parts of package (such as plastic bags).
4. Check the household voltage to ensure it matches the heater's rated specification.
5. Check the power cord and plug carefully before used, to make sure that they are not damaged.
6. Before unplugging the power cord, be sure to turn off the power button. When turning unit on/off be sure your hands are dry to prevent electric shock.
7. Do not use heater near flammable objects, like furniture, pillows, bedding, paper, clothes, curtains, etc.; they must be at least 3 feet (1 meter) away from the heater, and not facing heater directly.
8. Do not use near or in the immediate vicinity of a bath or swimming pool or any source of liquid.
9. To protect against electric shock, do not immerse cord or plug in water or any other liquid.
10. Do not insert or allow foreign objects to enter any ventilation or exhaust opening, as this may cause an electric shock, fire or damage to the heater.
11. Always unplug the heater when not in use.
12. Do not allow cord to overhang the counter top where it can be easily pulled by children.
13. Do not touch or put foreign objects into the grill while in operation.
14. Do not leave the appliance unattended when in use.
15. This heater is not intended for use in bathrooms, laundry and similar indoor locations, never place heater where it may fall into a bathtub or other water container.
16. No liability can be accepted for any damage caused by noncompliance with these instructions or any other improper use or mishandling.
17. This appliance is not intended for use by anyone including children or people with disabilities (physical, sensory or mental).

18. If the supply cord is damaged in any way, it must be replaced by the manufacturer or its service agent or a similarly qualified person in order to avoid a hazard.
19. Parts of the heater may exceed 200°C/392°F, contact with the heating tube, reflector, or metal parts near the heating tube, may cause severe BURNS. To avoid burns, do not touch hot surface.
20. Always allow heating element to cool at least 10 minutes before touching the heating tube or adjacent part.
21. This product contains recyclable materials. Do not dispose this product as unsorted municipal waste. Please contact your local municipality for the nearest collection point.
22. This heater is hot when in use. To avoid burns, do not touch hot surfaces. Keep combustible materials, such as furniture, pillows, bedding, papers, clothes, etc. and curtains at least 3 feet (1m) from the heater.
23. Extreme caution is necessary when any heater is used near children, or people with disabilities. Heater can NOT be left unattended when operating.
24. Do not operate any heater if it malfunctions. Disconnect power at service panel and have heater inspected by a reputable electrician before reusing.
25. To disconnect heater, turn controls to off, and turn off power to heater circuit at main disconnect panel (or operate internal disconnect switch if provided).
26. This heater has hot and arcing or sparking parts inside. Do not use it in areas where gasoline paint, or flammable vapors or liquids are used or stored.
27. Use this heater only as described in this manual. Any other use not recommended by the manufacturer may cause fire, electric shock, or injury.

## SAVE THESE INSTRUCTIONS

### Specification

Rating	120VAC 60Hz 1200W
Main unit dimensions	Heater: W30.12* D5.3* H5.51(in)/W765* D132* H140(mm) Stand: W33.46* D33.46*H(37.40 to 59.06) (in) /W850* D850* H(950-1500)(mm)
Mass (Weight)	13.18(lbs)/5.98(kg)
Power cord	Rubber cord, length 7.87(ft)/2.4(m)
Heater	Far infrared electric heater 1 pcs
Stand	H(MAX) 150cm - H(MIN) 95cm/H(MAX) 59.06 (in) - H(MIN) 37.40 (in)
Safety device	Overheat protection, Tip over function



## Product Features

INSTANT HEAT

WEATHERPROOF

TWO HEAT SETTINGS

ODORLESS

SILENT

### **FREESTANDING**

A lightweight and sturdy stand allows portable installation.

### **TIP-OVER PROTECTION**

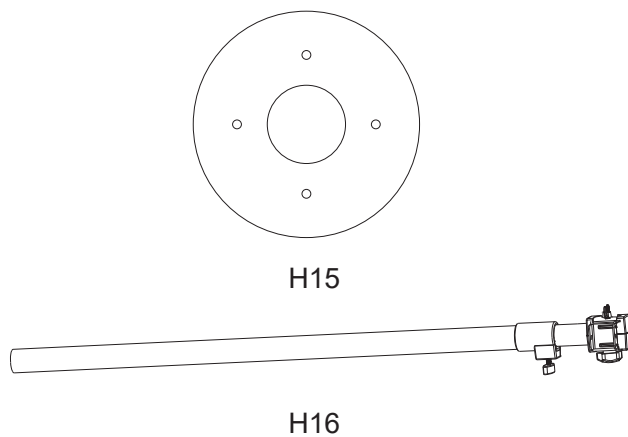
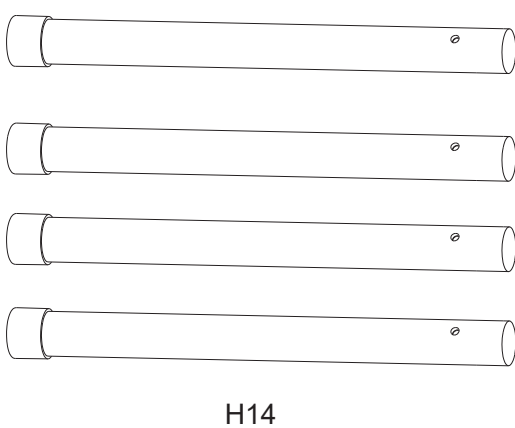
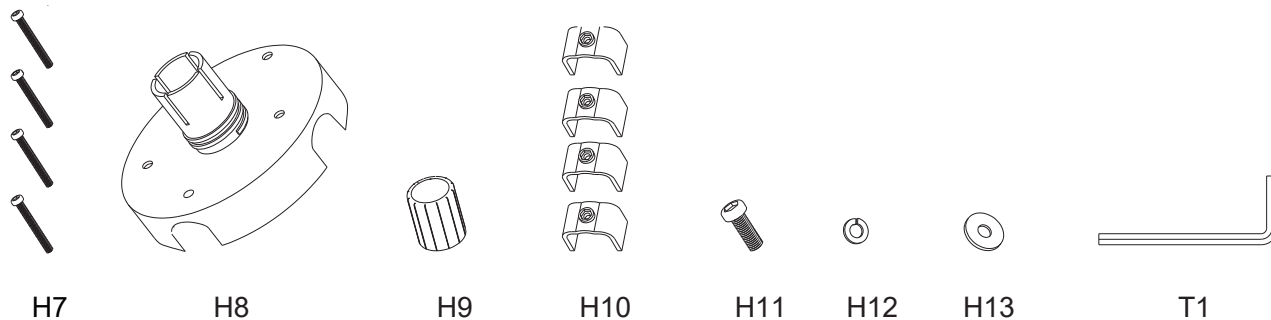
Tip-over protection to ensure safe operation. The unit will shut down immediately if tips over or falls to prevent tip-over-related hazards.

## ASSEMBLY INSTRUCTIONS

- a) The heater must be properly installed before it is used.
- b) The heater can be used indoor or outdoor with provided stand only.
- c) User must follow these instructions to reduce the risk of fire, electric shock, or injury.
- d) Do not alter or make any changes to the unit.

# A.Stand assembly

## Stand Accessories List



NO.	Desc	Qty
H7	Screw	4
H8	Base	1
H9	Fastener	1
H10	Fixed part	4
H11	Screw	1
H12	Spring washer	1

NO.	Desc	Qty
H13	Flat washer	1
H14	Foot, dia=40	4
H15	Holder	1
H16	Pole, dia=80	1
T1	L shape wrench	1

1. Put foot(H14) into the base(H8) ,and then put the Holder(H15) on top of the Base(H8), finally put Screws(H7) into the hole as shown in Fig-a.

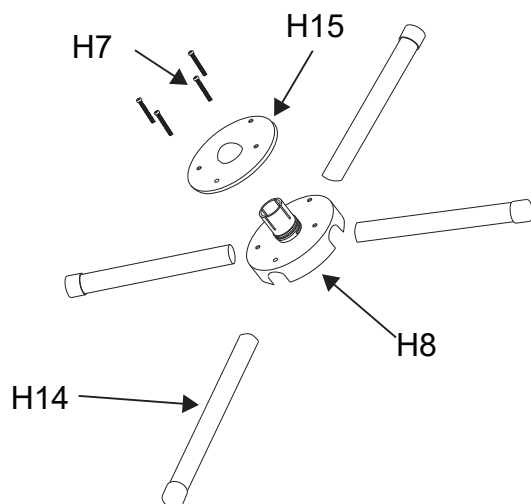
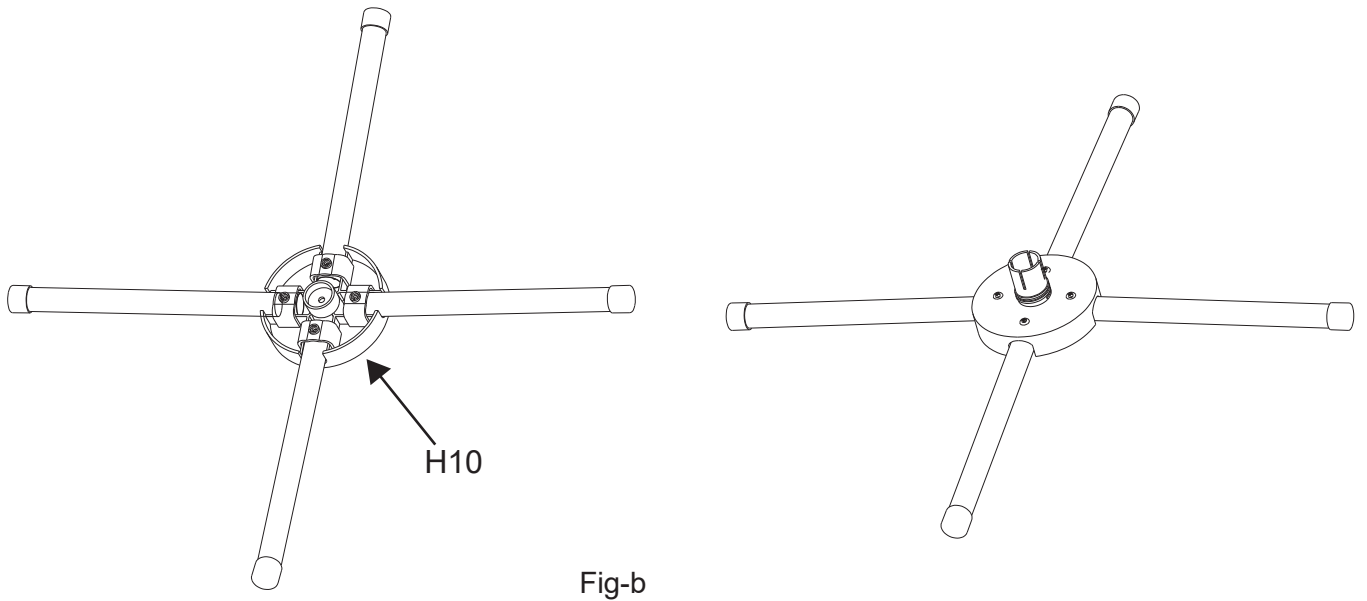
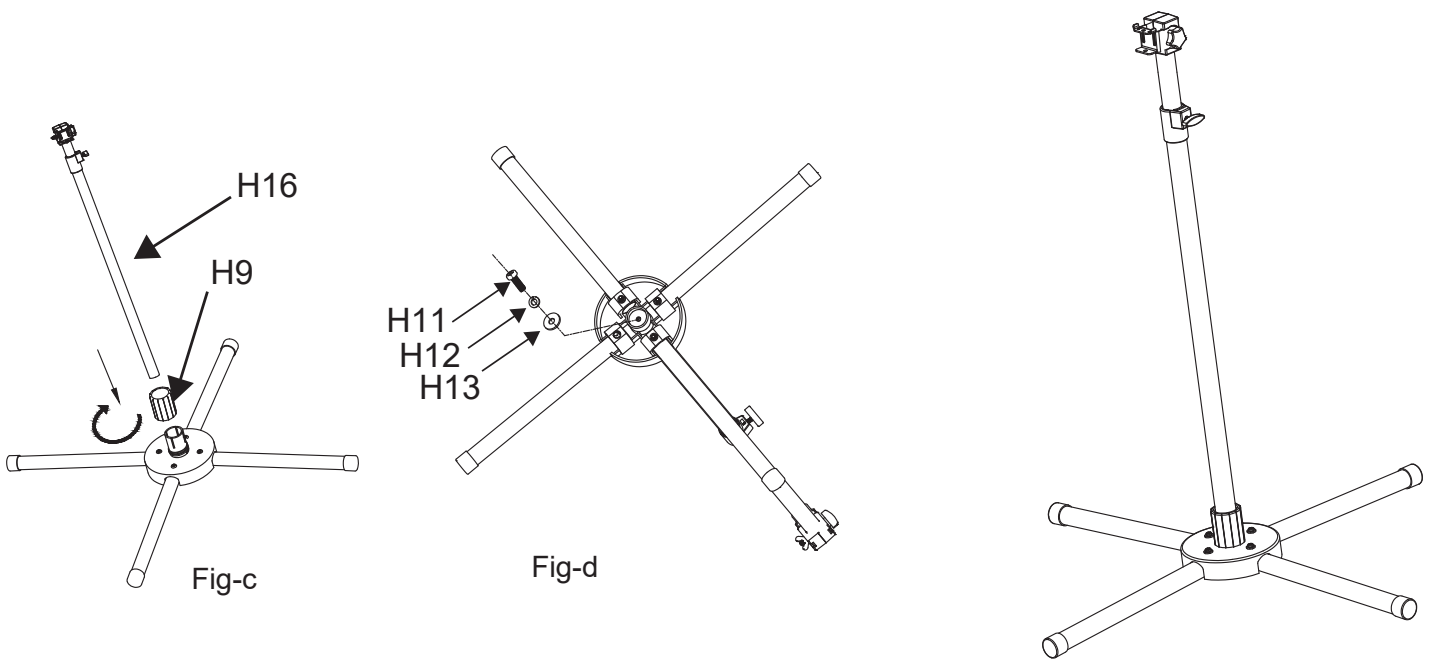


Fig-a

2. Turn to the back side, secure the fixed parts (H10) with Screws(H7) as shown in Fig-b.

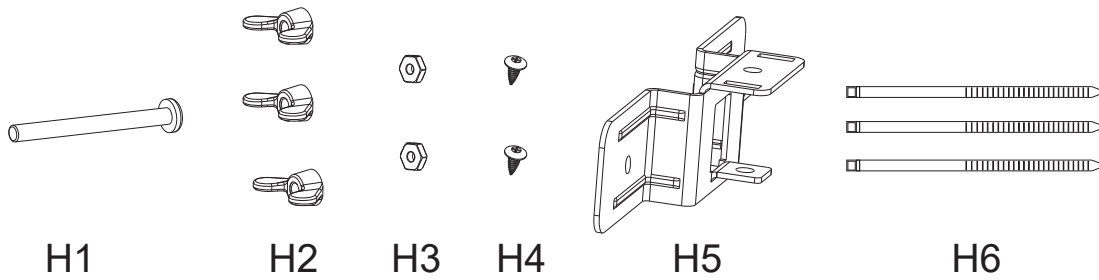


3. Secure Fastner(H9)& Pole (H16) as show in Fig-c, then turn over to the back side,secure Screw(H11), Spring washer(H12), Flat washer (H13)as shown in Fig-d.



## B. Heater & Stand installtion

### Installation hardware contents



NO.	Desc	Qty
H1	Screw	1
H2	Wing Nut	3
H3	Nut	2
H4	Screw	2
H5	Bracket	1
H6	Zip tie	3

1. Tighten the hand knob screw to secure the stand positions as shown in Fig-e.

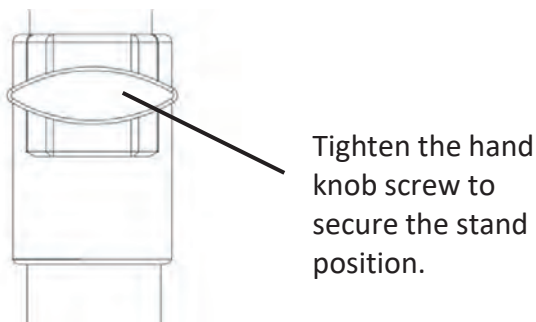


Fig-e

2. Secure the bracket (H5) on the back of heater with 2 nuts (H3) using the wrench as shown in Fig - f.

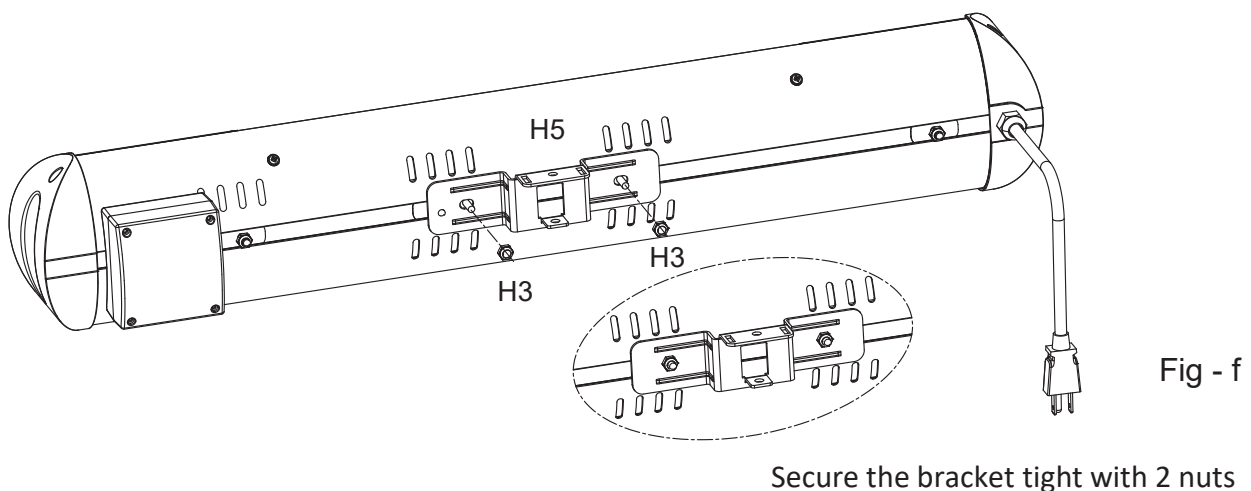


Fig - f

**3. Hanging the heater's bracket on the stand's bracket as shown in Fig - g**

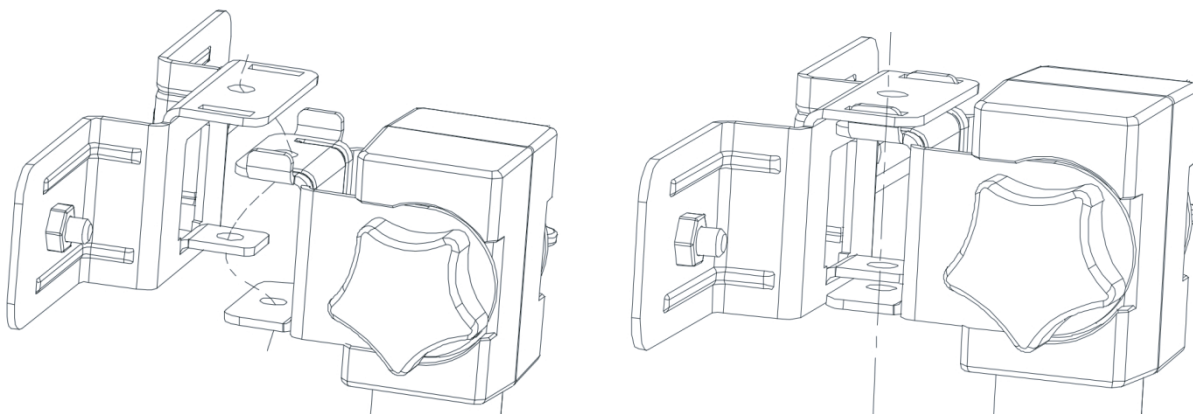


Fig - g

**4. Fasten Screw (H1) with wing nut (H2) as shown in Fig - h**

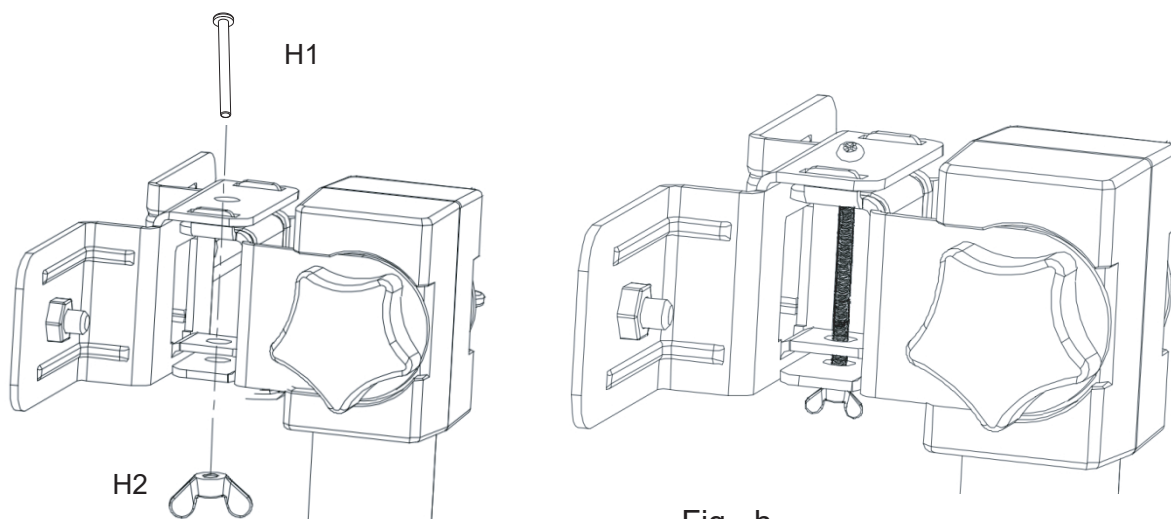
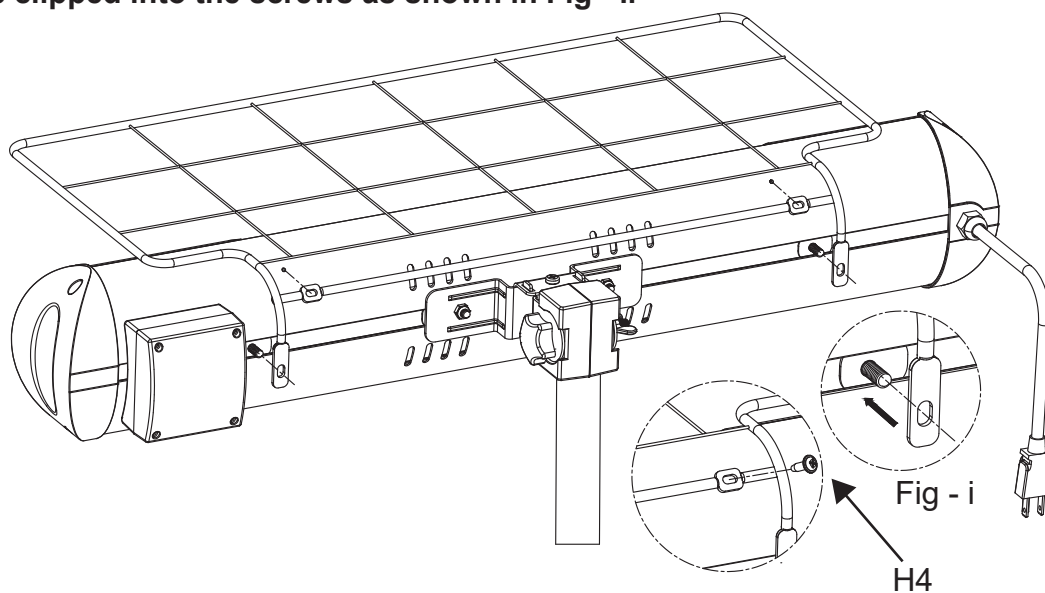


Fig - h

**5. Assembly the protection bracket on the heater, the top panel on protection bracket could be clipped into the screws as shown in Fig - i.**



6. Fasten the protection bracket with 2 wing nuts (H2), and secure the top 2 screws using the screwdriver as shown in Fig - j.

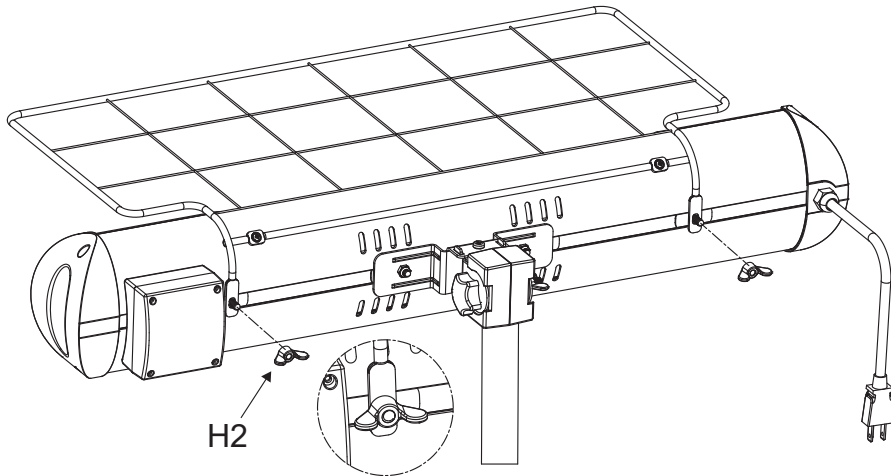


Fig - j

7. Secure the power cord with the zip ties (H6) as shown in Fig - k.

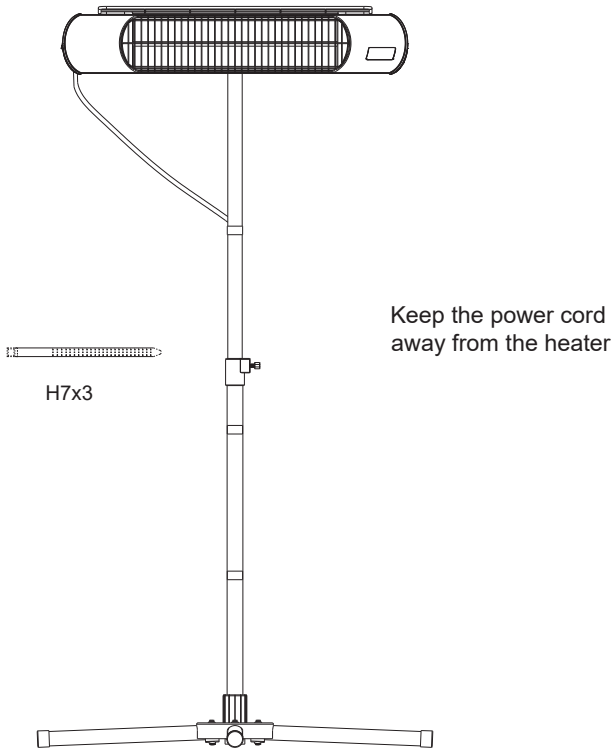


Fig - k

**WARNING!**  
FOR OUTDOOR USE,  
MUST PLUG INTO  
**GFCI OUTLET.**



## **WARNING**

**THE HEATER MUST BE PLACED ON A FLAT, STABLE SURFACE FOR USE WITH THE STAND.**

**THE HEIGHT OF STAND WITH HEATER IS 60 INCHES.**

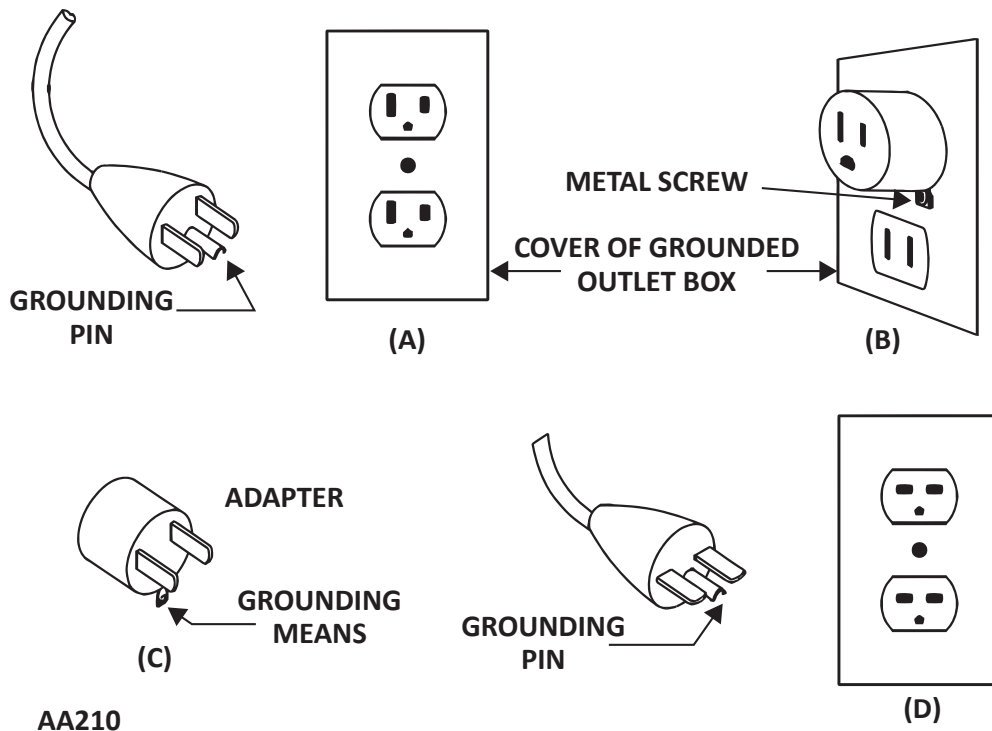
**THE POWER CORD MUST BE PLUGGED INTO A GFCI OUTLET FOR OUTDOOR USE.**

**Noted: The heater has a tilt protection function. When the heater exceeds a 60 ° angle, it automatically stops working.**

## Grounding instructions:

### CAUTION:

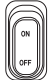
This heater is for use on 120 volts. The cord has a plug as shown in below. No adapter is available for this blade configuration, and none should be used. The type outlet is a 120 volts grounding outlet. When properly installed, it provides a ground connection through the cord to the heater to protect the operator from electric shock.

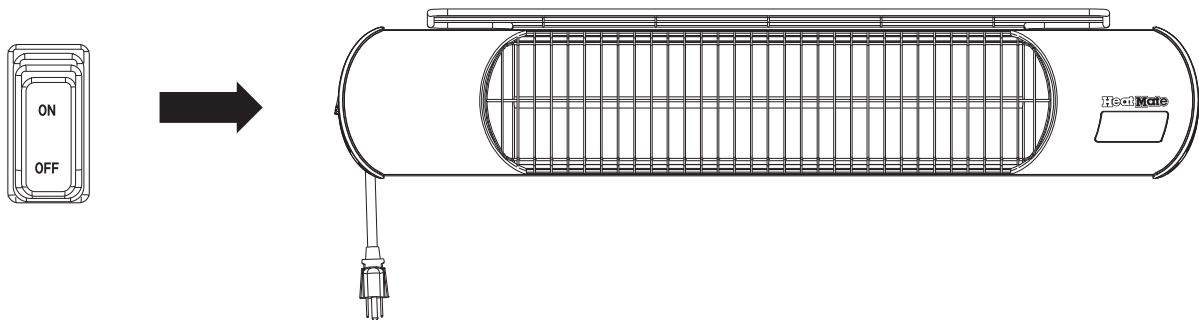


**Attention:** Digital display position should be on left for correct installation direction

## OPERATING INSTRUCTION

- The heater must be properly installed before it is used.
- The heater can be used indoor or outdoor.
- User-operated devices intended to reduce the risk of fire, electric shock, or injury.  
ALL INSTRUCTIONS MUST BE FOLLOWED.
- Do not change the heater structure.
- Follow instructions and cautionary statements for cleaning, user-maintenance, operations.
- Any service to the unit must be performed by manufacturer representative.

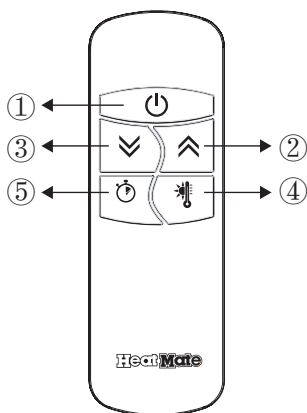
1. **PLUG** the unit into a plug socket, make sure the power supply is the same as rated
2. **PRESS** the power button  on the left side of the heater



3. **TURN ON / OFF** the heater by remote control.
4. **DOWN & UP BUTTON**, setting the heat level or timer.

### OPERATION BY REMOTE CONTROLLER:

The heater is operated from the remote control supplied . Insert 2 x AAA Alkaline batteries into the remote control.



Remote Control Function		
Button	Function ( Heater On)	Function ( Heater Off)
1	Turns heater on or off	
2	Increase Heat Level or Timer hours	Turns heater on to Level 1 (minimum)
3	Decrease Heat Level or Timer Hours	Turns heater on to Level 2 (Maximum)
4	Enable Heat Level adjustment	
5	Enable Timer adjustment	0-24

1. **POWER BUTTON:** Turns heater on or off.
2. **UP BUTTON:** Increases the temperature and timer level .
3. **DOWN BUTTON:** Decreases temperature and timer level.
4. **LEVEL BUTTON:** Use to adjust heat levels (LO-HI). Press the Level button then use the up and down buttons (2 and 3) to increase or decrease the heating level.
5. **TIMER BUTTON:** Use to set the timer from 0H– 24H (0-24 hours). Adjust using buttons 2 & 3 to the number of hours you would like to set.

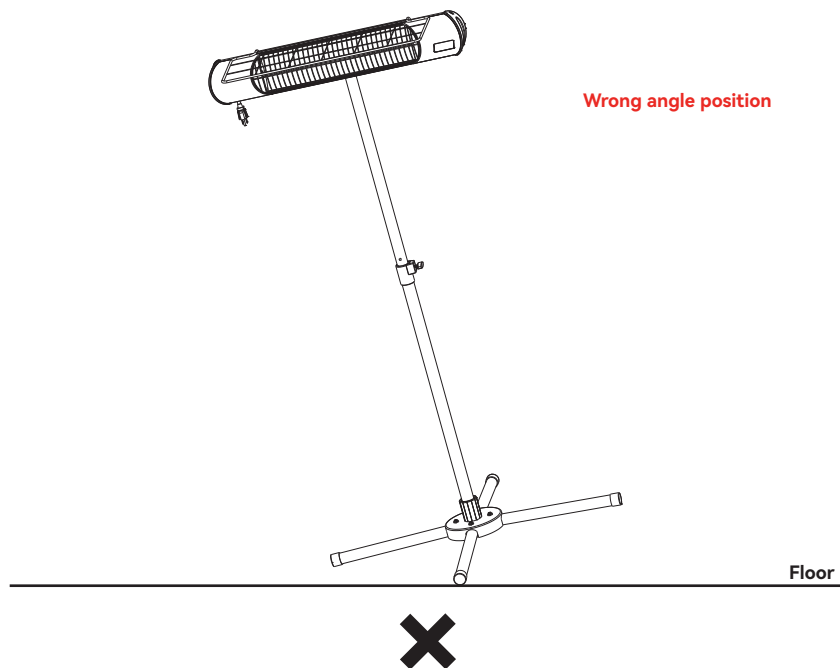
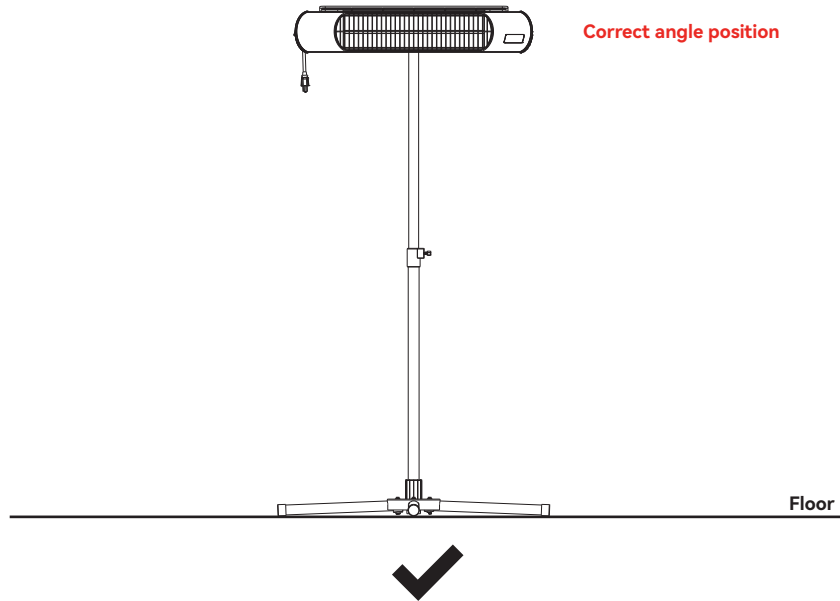
# Troubleshooting

1. Check if the power cord is plugged into an electrical outlet.

2. **Error code shows on the display.**

**E1:** When the heater reaches 185 °F(85°C ) or above, it will shut off. Allow the heater to cool down for 15 minutes, and restart the heater by pressing the Power button on remote control.

**E2:** Error on Display: The heater has a tilt protection function. When the heater's working angle exceeds 60° it automatically stops working. Change the working angle and manually press the power button, then the remote control function will be reactivated.



**L1,2 shows in the display, but no heat:** Bulb is damaged.  
So Call Customer Service (see the back side page).

# MAINTENANCE INSTRUCTIONS

## CLEANING AND MAINTENANCE

Regular and careful cleaning helps your far infrared heater operate efficiently for many trouble-free years. To clean your heater, follow the steps below.



Unplug the power cord for your safety before cleaning your appliance.

1. Make sure the heater is cool before cleaning.
2. To keep the heater clean, the outer shell may be cleaned with a soft, damp cloth. You may use a mild detergent if necessary. After cleaning, dry the unit with a soft cloth.  
**(CAUTION: DO NOT wet the heater.)**
3. **DO NOT** use alcohol, gasoline, abrasive powders, furniture polish or rough brushes to clean the heater. This may cause damage or deterioration to the surface of the heater.
4. **DO NOT** immerse the heater in water.
5. Wait until the heater is completely dry before use.
6. All maintenance must be performed by certified electrician.











**Storage:** Store the heater in a cool, dry location when not in use to prevent dust and dirt build up. Use packaging carton to store.

# Safety precautions

- Read this "Safety precautions" carefully before using, and use it correctly.
- The precautions shown here are for safe and correct use of the products, in order to prevent harm, damages or injuries. Also, in order to clarify the magnitude of harm and damage and the extent of urgency, the precautions are categorized as "warning" and "caution", which are matters likely to occur when handling incorrectly. Since both are important contents concerning safety. Make sure to comply with them.





 <b>Warning</b>	Matters that could result in death or serious injury when handling incorrectly.
 <b>Caution</b>	Matters that could cause injury or possibly physical damage to a user when handling incorrectly.

## Pictogram examples








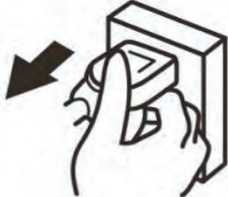



 indicates "enforcement" which means you must always practice.	 General prohibition	 Prohibition of disassembling	 Prohibition of making contact
 indicates "enforcement" which means you must always practice.	 Prohibition of touching with wet hands	 Prohibition of wetness by the water	 Prohibition of use on the water
		 Be sure to do always	 Disconnect the power plug

- Keep this manual in a place where it is accessible to the user at any time after reading.











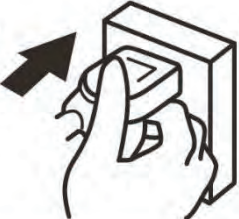



## WARNING

	<ul style="list-style-type: none"> <li>● <b>In case of failure / abnormality, stop using immediately.</b> Using it as it is may cause smoke generation, ignition, electric shock or injury.</li> <li>◆ Even when you turn on the switch, there are times the power does not turn on.</li> <li>◆ When you jiggle the cord, the power turns on or off.</li> <li>◆ There are irregular sounds and vibrations when the power is on. The plug / cord / main unit is abnormally hot.</li> <li>◆ There is a burning smell.</li> </ul> <p>* Please disconnect the power plug immediately and request your vendor for inspection and repair.</p>		<ul style="list-style-type: none"> <li>● <b>It is not to be disassembled or repaired except by the repair technicians who do not perform modification.</b> It may cause fire, electric shock, or injury.</li> </ul>
			<ul style="list-style-type: none"> <li>● <b>Do not put any spray cans or alike near the unit.</b> Doing so may cause explosion or fire.</li> </ul>
			<ul style="list-style-type: none"> <li>● <b>Do not insert foreign objects, such as metal objects including pins and wires, into the air intake and exhaust ports and gaps.</b> Electric shock or abnormal operation may result in injury.</li> </ul>

# ⚠ CAUTION

	<ul style="list-style-type: none"> <li>● <b>When disconnecting the power plug, be sure to pull out by holding the power plug, not the power cord.</b></li> </ul> <p>Electric shock or short-circuit may occur if failure to do so.</p> 		<ul style="list-style-type: none"> <li>● <b>Do not immerse cord or plug in water or any other liquid.</b></li> </ul> <p>To protect against electric shock</p> 
	<ul style="list-style-type: none"> <li>● <b>Do not touch the part with high temperature during use or after use for a while.</b></li> </ul> <p>Doing so may cause burns.</p>		<ul style="list-style-type: none"> <li>● <b>Do not use for other purposes such as drying.</b></li> </ul> <p>Risk of fire. Please be aware of falling of flammable objects.</p>
	<ul style="list-style-type: none"> <li>● <b>Disconnect the power plug at all times when it is not in use.</b></li> </ul> <p>Failure to do so may result in injury, burns, insulation deterioration, electric shock or electric leakage.</p> 		<ul style="list-style-type: none"> <li>● <b>Be sure to disconnect the power plug and wait until the unit is no longer hot before cleaning.</b></li> </ul> <p>Failure to do so may cause electric shock, short-circuit or fire.</p>
	<ul style="list-style-type: none"> <li>● <b>Do not spill water or liquid on the operating unit.</b></li> </ul> <p>In case of spilling, there is a danger of electric leakage, electric shock, and overheating; therefore stop using it immediately and have it inspected by the vendor.</p>		<ul style="list-style-type: none"> <li>● <b>Do not use in the shower/bathroom or outdoors.</b></li> </ul> <p>Failure to do so may result in electric shock, short-circuit, or ignition of fire.</p>

# Safety precautions

	<ul style="list-style-type: none"> <li>● <b>Do not use near the flammable items such as curtains and mattresses / blankets, etc.</b></li> </ul> <p>Risk of fire.</p>		<ul style="list-style-type: none"> <li>● <b>Do not use while sleeping.</b></li> </ul> <p>Risk of fire.</p>
	<ul style="list-style-type: none"> <li>● <b>Keep the power plug clean. Wipe the dust off if it adheres to the prong or the mounting surface of the prong.</b></li> </ul> <p>Failure to do so may cause a short circuit or fire.</p>		<ul style="list-style-type: none"> <li>● <b>skin burns.</b></li> </ul> <p>Please pay special attention when unit is used around children and people with disabilities, people with sensitive skin.</p>
	<ul style="list-style-type: none"> <li>● <b>Use outlets rated at 15A or more alone.</b></li> </ul> <p>When used in conjunction with other devices, the branch outlet section may become heated abnormally and ignite. Do not use the extension cord. It may cause abnormal heat generation, fire, or electric shock.</p>		<ul style="list-style-type: none"> <li>● <b>Do not leave the appliance unattended when in use.</b></li> </ul> <p>Failure to do so may cause a fire.</p>
	<ul style="list-style-type: none"> <li>● <b>The power cord cannot be split, manipulated, bent forcefully, pulled, twisted, used in bundle, put under a heavy object, inserted, placed under the unit of the electric heater, etc.</b></li> </ul> <p>The power cord may become damaged by doing so, causing fire or electric shock.</p>		<ul style="list-style-type: none"> <li>● <b>Do not generate the heat on the same unit part for a long time.</b></li> </ul> <p>If the operating unit is directed to a person for a long time even at a relatively low temperature burns.</p> 
	<ul style="list-style-type: none"> <li>● <b>Insert the power plug firmly into the outlet.</b></li> </ul> <p>Failure to do so may cause a danger of electric shock, short circuit, smoke emission, or fire.</p> 		<ul style="list-style-type: none"> <li>● <b>Do not use other than AC 120V.</b></li> </ul> <p>Doing so may cause fire or electric shock.</p>
			<ul style="list-style-type: none"> <li>● <b>Do not plug in or disconnect the power plug with wet hands.</b></li> </ul> <p>Risk of electric shock or injury.</p>
			<ul style="list-style-type: none"> <li>● <b>Do not use the heater if the power cord or power plug is damaged, or the outlet is loose.</b></li> </ul> <p>Doing so may cause electric shock, short circuit or fire.</p>

**Note**

**Note**

**Note**

**“Scan here for more information of Infared Graphite Heater”**



Product of SENGOKU L.A., LTD,  
3870 Del Amo Blvd., Ste.505  
Torrance, CA 90503  
[www.sengokula.com](http://www.sengokula.com)  
Customer Service Line:  
1-877-GET-HEAT (877-438-4328)