

ASSEMBLY INSTRUCTIONS

Disclaimer:

Thank you for your purchase. Please read carefully and keep these instructions, as you may need them later.

Beware of potential electrical shock ! Before installing the fixture or removing any other light already present, please turn off the main power at the circuit breaker.

If your product contains glass items, please handle with care, as glass is fragile and can lead to injuries if handled incorrectly.

Please keep in mind that the warnings and instructions present in this document are not meant to cover and prevent all possibilities and situations that could lead to injury or damage. It is the responsibility of the end-user to exercise caution and common sense when handling and installing the product.

All electrical connections must be made by qualified personnel in accordance with the National Electrical Code.

Please refer to the table below for electrical connections:

Fixture wire markings:

“L” Live wire (Black or Brown)

“N” Neutral wire (White or Blue)

“⊥” Ground wire (Green or Bare)

AC power equivalent:

“L” Live wire (Black)

“N” Neutral wire (White)

“⊥” Ground wire (Green or Bare)

Installation instructions:

(link to the video instructions on the other side)

Pendant lamp

Step 1. Pass the cord through the pole(E), Install the pole(E) on the screw (F) and tighten the screws(I) with a small wrench(J) (included) .

Step 2. Install the chain between pole and canopy(C) by activity buckle ,the chain is adjustable . And pass the main wire through the chain.

Step 3. Twist the brass ground wire "E/ \oplus " with the M4 green threaded screw on the mounting bracket and lock it to the GND position . Then twist the two ground wires together (one is the brass ground wire "E/ \oplus ", the other is the ground wire from the junction box , and tighten it by the terminal nut.

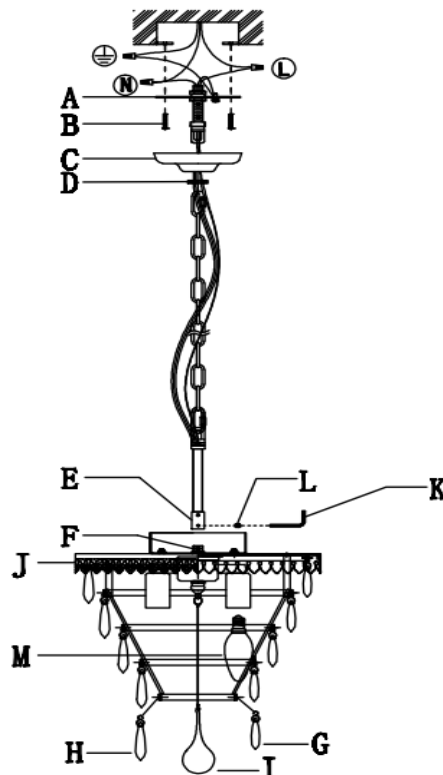
Step 4. Black wire from junction box attaches to "L" wire for the fixture by terminal nut ; white wire attaches to "N" wire by terminal nut.




Step 5. Use the two screws(B) secure long mounting bracket(A) to the junction box.

Step 6. Use the screw nut(D) secure canopy(C) to the long mounting bracket(A).

Step 7. Install the bulbs(not included).

Step 8. Hang the glass (I,H,G) on the holes of the lamp body(D) from bottom to top.



G	H	I
		
48PCS	48PCS	1PC