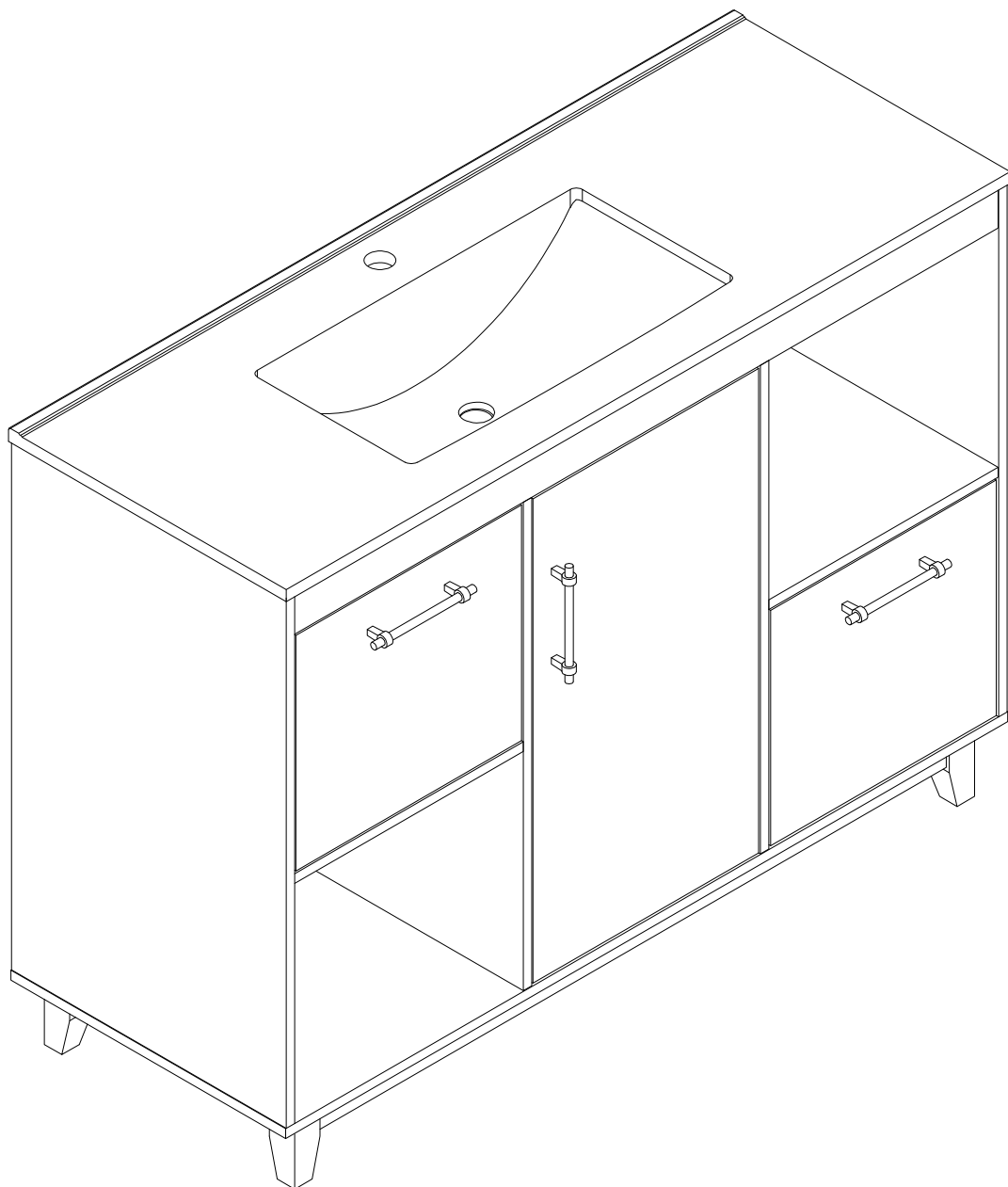


Vanity unit

V-1-1



Thank you for choosing our products. We are committed to providing excellent customer service and support. Please feel free to reach out to us with any inquiries or assistance you may need.



WARNING

Children have died from furniture tipovers. To reduce the risk of furniture tip-over.

- ALWAYS install anti-tip device provided.
- NEVER put a TV on this product.
- NEVER allow children to stand, climb, or hang on any drawers, doors, or shelves.
- NEVER open more than one drawer at a time.
- Place the heaviest items in the lowest drawers.



IMPORTANT SAFETY NOTICE READ CAREFULLY BEFORE BEGINNING ASSEMBLY

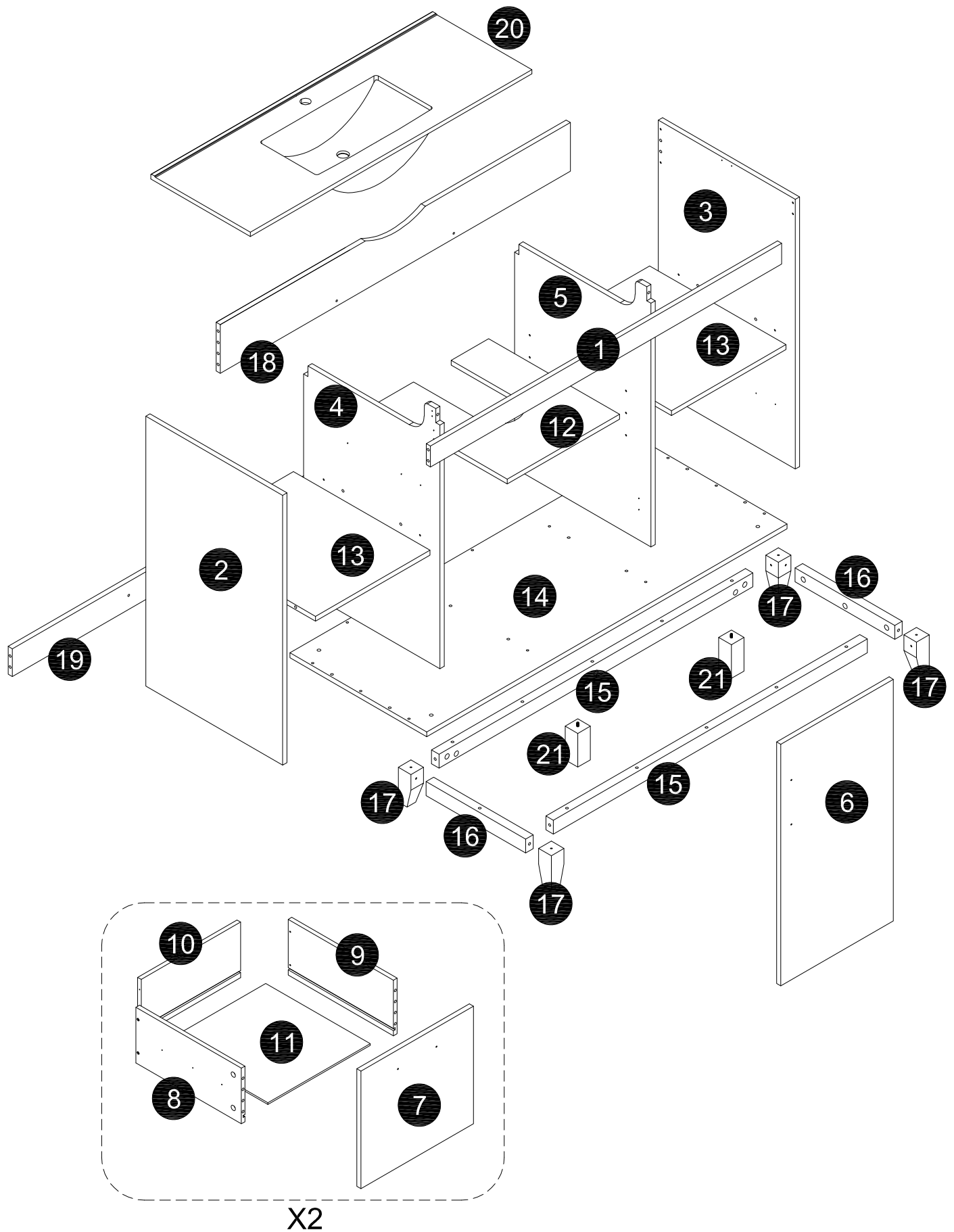
- This cabinet contains small parts that present a choking hazard for children under 3 years of age. Adult assembly only. Secure parts permanently to furniture. Discard any unused parts properly.
- To make the assembly process easier, ask a friend to help you. 2 people required.
- Always use proper tools. Avoid using a electric drill excessively to prevent damage to cabinet components, especially in wooden furniture.
- Carefully review the parts and hardware list.
- Recommend assembling the storage cabinet on a protected or carpeted surface to prevent scratches.
- Follow assembly steps in order. DO NOT SKIP ANY STEPS.
- Regularly check and tighten all connectors (bolts, screws, etc.). Keep instructions for future reference.
- Exercise caution with sharp edges during assembly and use to avoid scratching or cutting the skin.

CARE AND CLEANING GUIDELINES

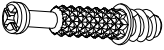

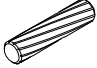
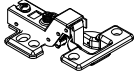
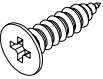
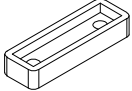
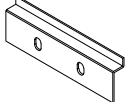
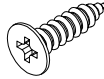
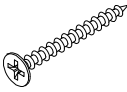
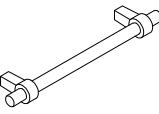
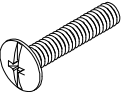
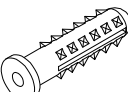
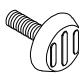
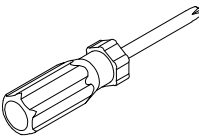
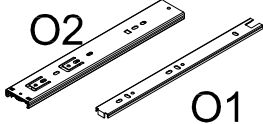


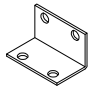
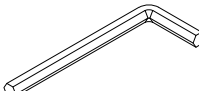
Congratulations on your new purchase! Follow these simple care instructions to keep your product in top condition:

- Use a soft, clean cloth that will not scratch the surface when dusting
- Wipe clean using a damp cloth and a mild cleaner.
- Liquid spills should be removed immediately.
- Direct sunlight may fade or alter the color of wood finishes.

EXPLODED DRAWING:



PARTS:

A	X44+1	B	X44+1	C	X36+1	D	X2
							
Ø6x34mm		Ø15x9.5mm		Ø6x30mm		Ø35mm	
E	X12	F	X1	G	X2	H	X38+1
							
Ø8x15mm						Ø6.5x12mm	
I	x10	J	x3	K	x6	L	x2
							
Ø8*35mm				Ø5/32"x19mm		Ø8*40mm	
M	x6	N	x1	O	x2 SET	P	x4
							
Ø1/4"*10mm				12"x45mm			
Q	x21	R	x2	S	x1		
							
Ø6*40mm		25*15*15*1mm		4mm			

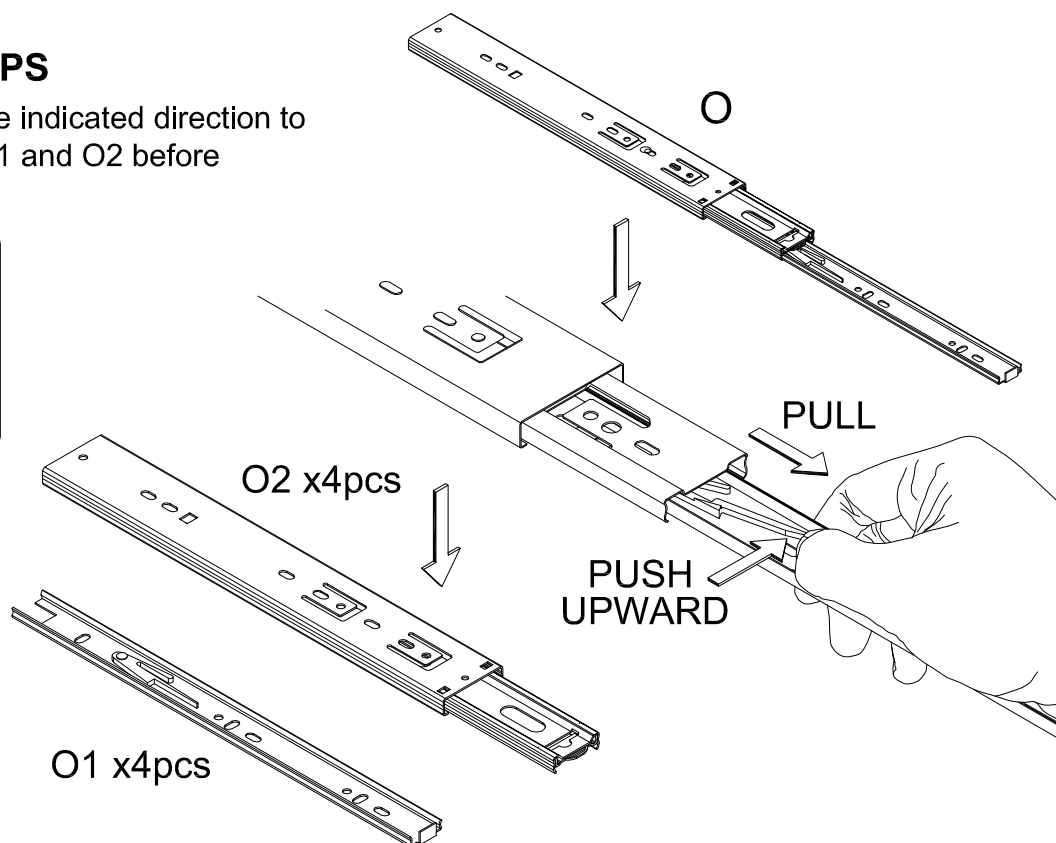
1


INSTALLATION STEPS

Press the plastic part in the indicated direction to separate drawer runner O1 and O2 before assembling.

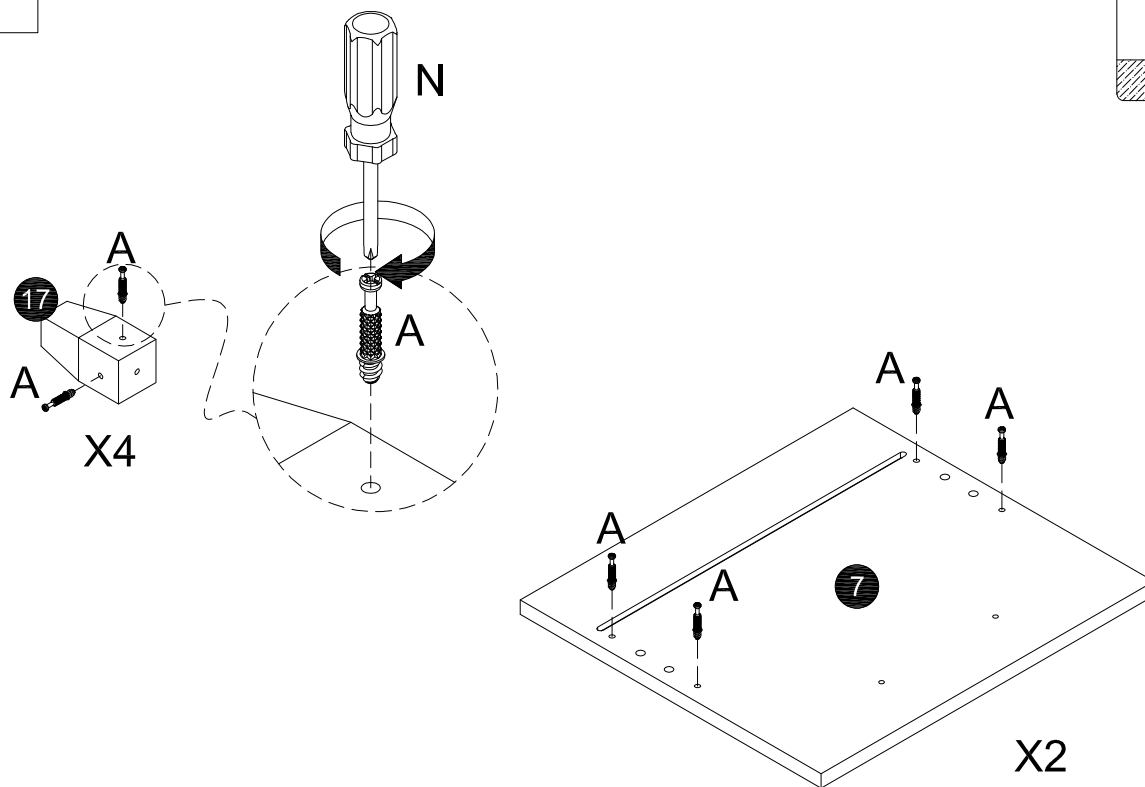
REMARK:


Please grip the O1 part while sliding the O2 part

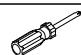


 O. x2SET

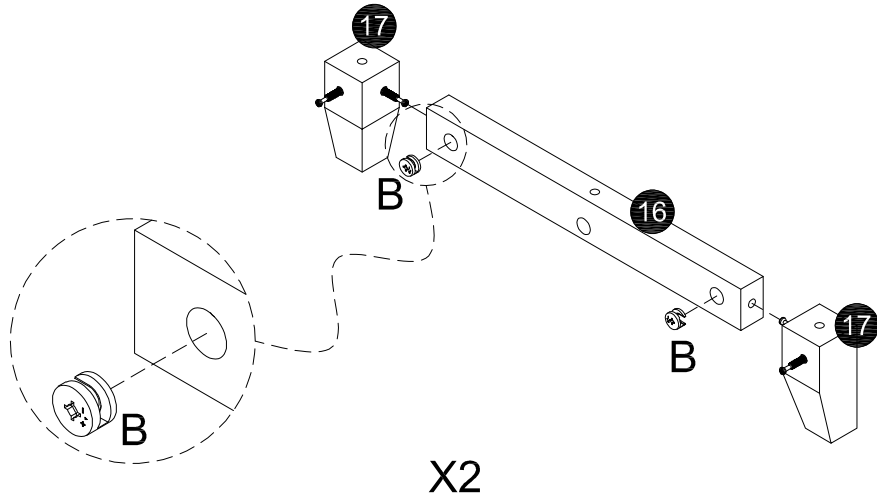
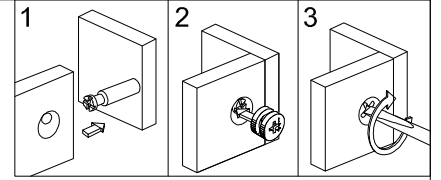
2




 A. x16PCS

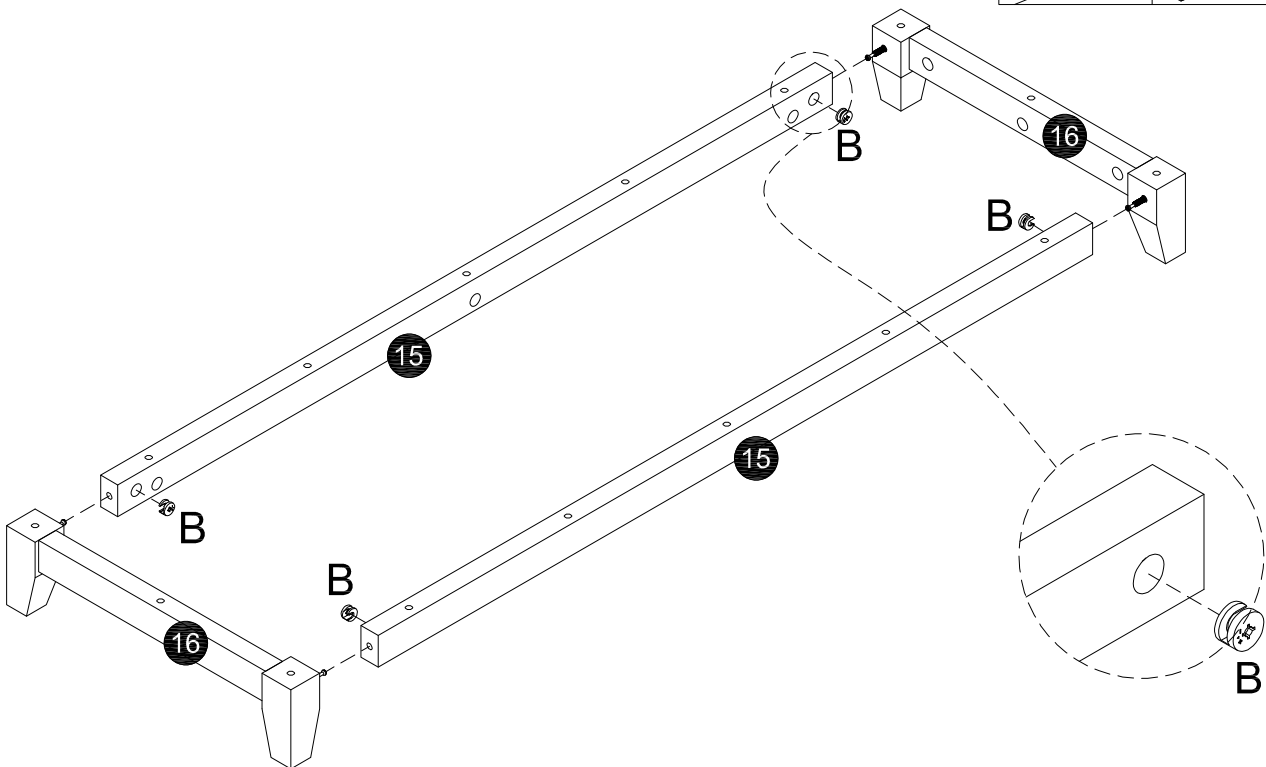
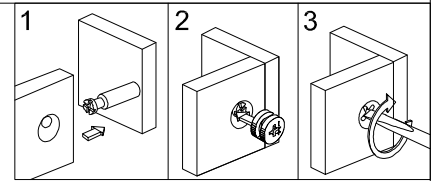
 N. x1PC


3



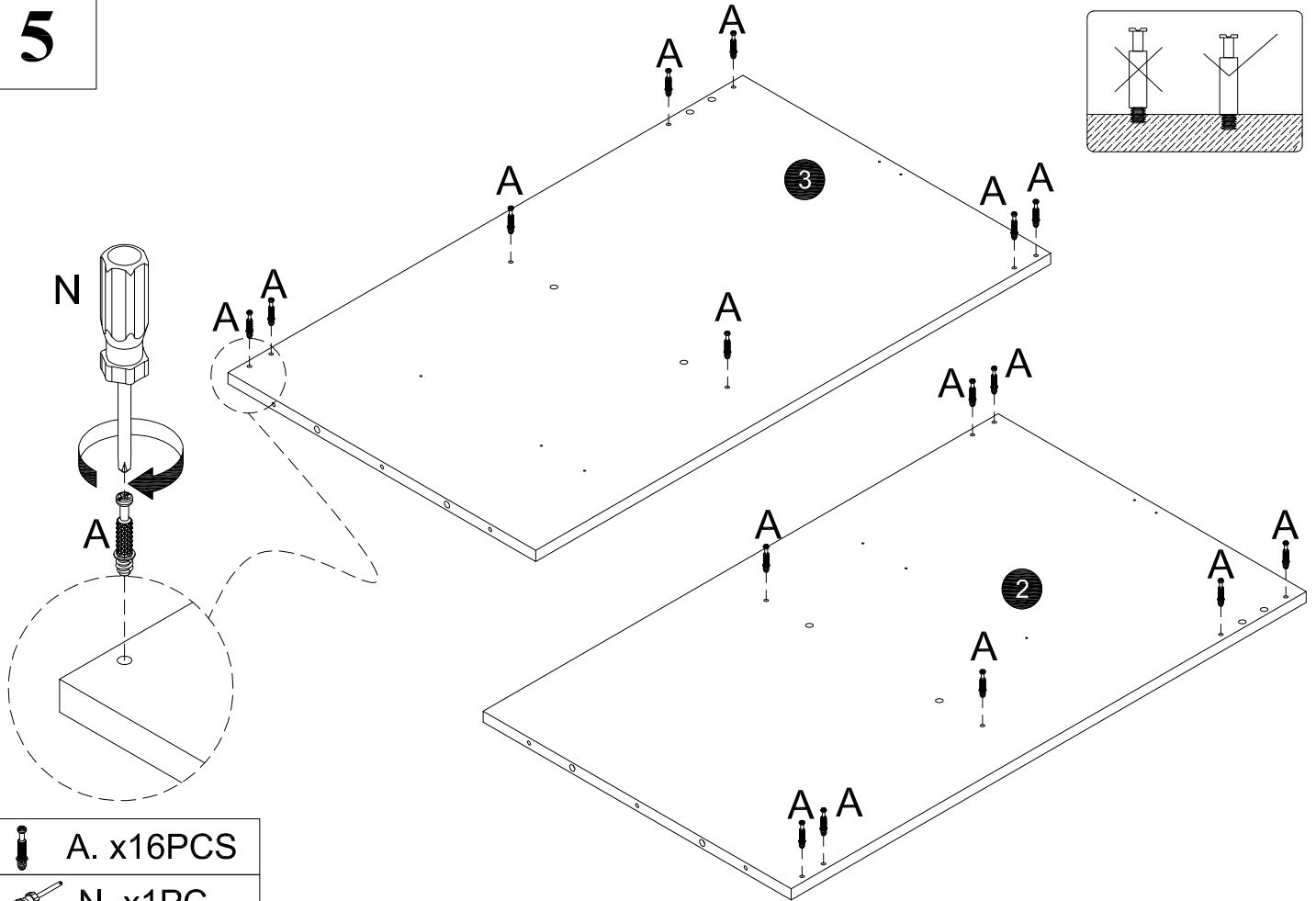
 B. x4PCS

4



 B. x4PCS

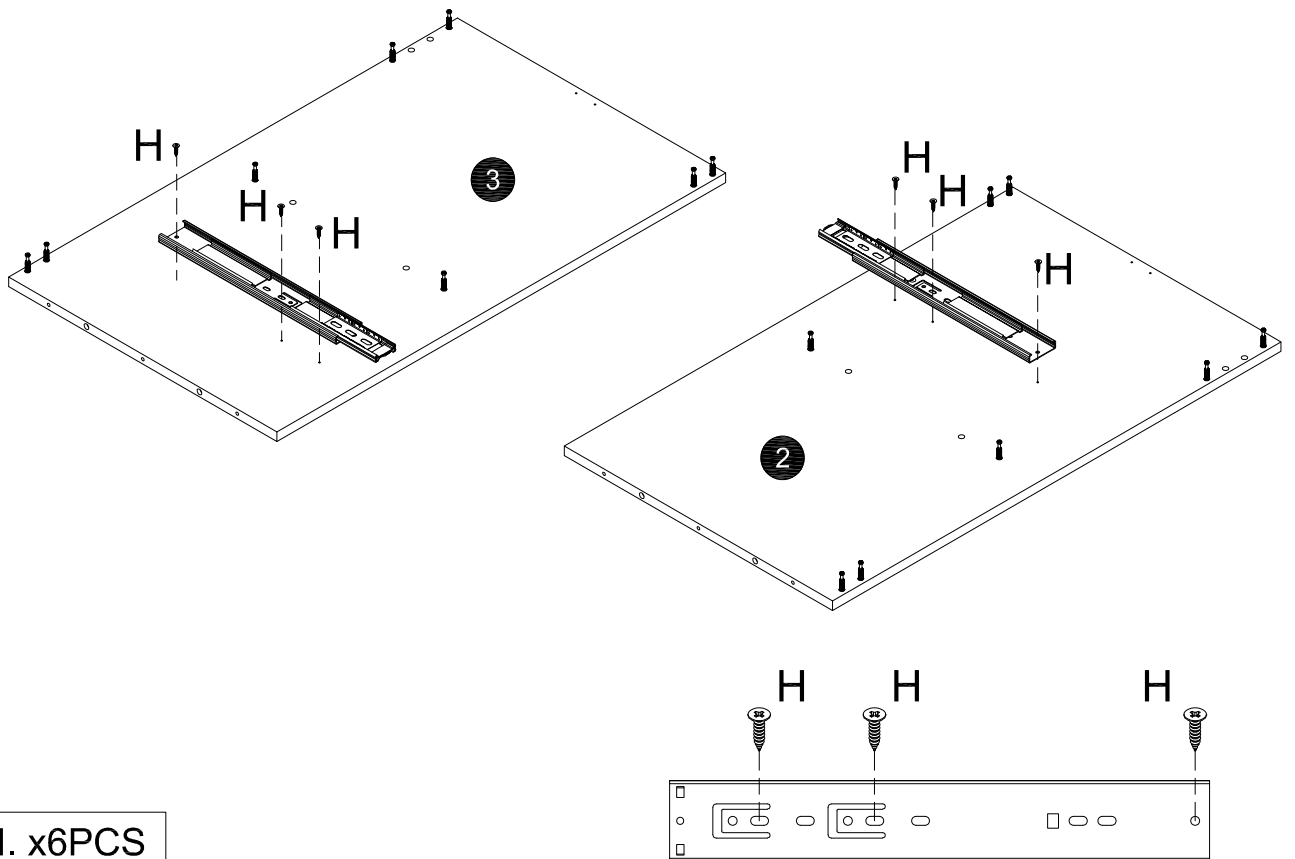
5



A. x16PCS

N. x1PC

6

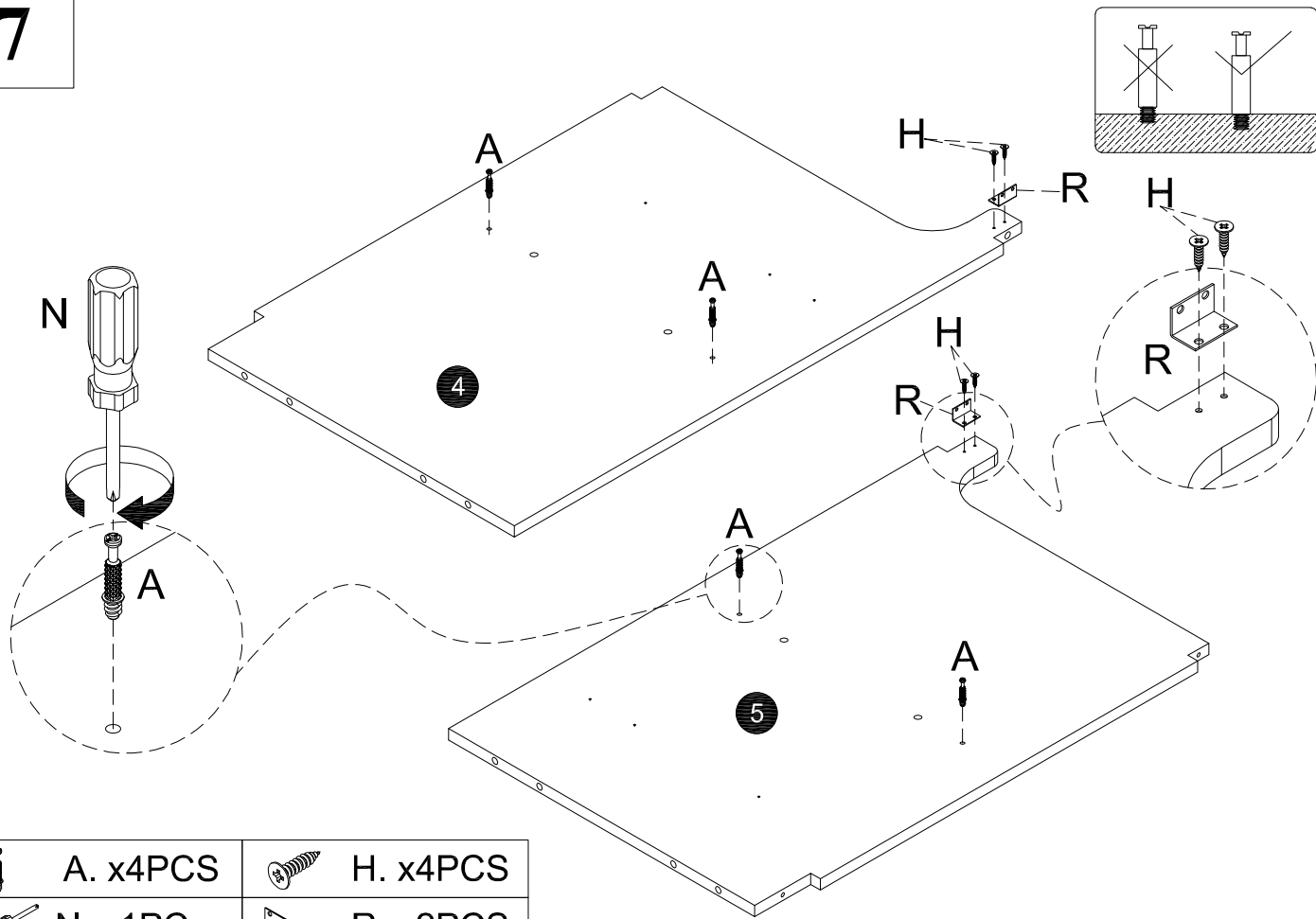






H. x6PCS

O2. x2PCS

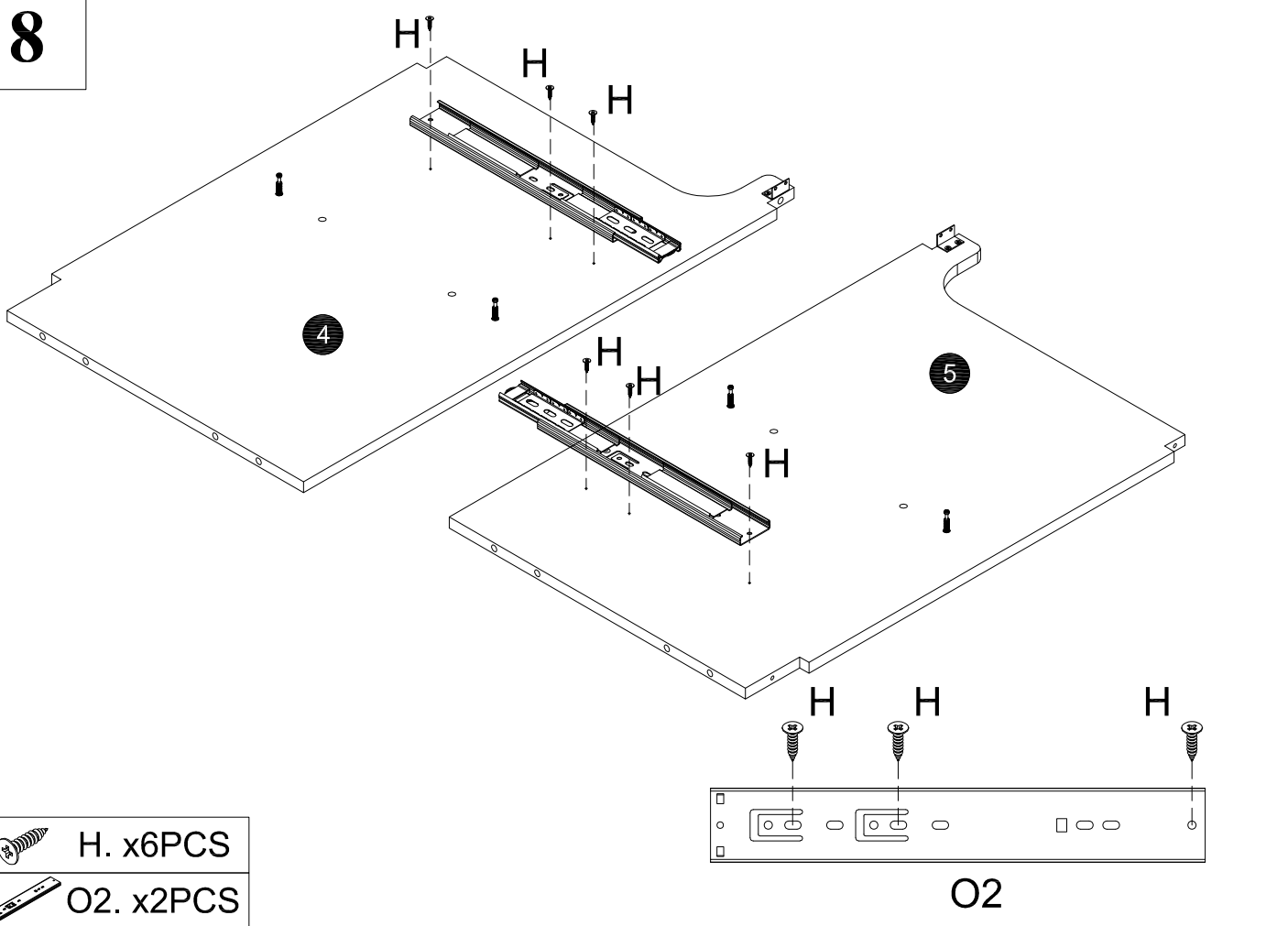
O2



7

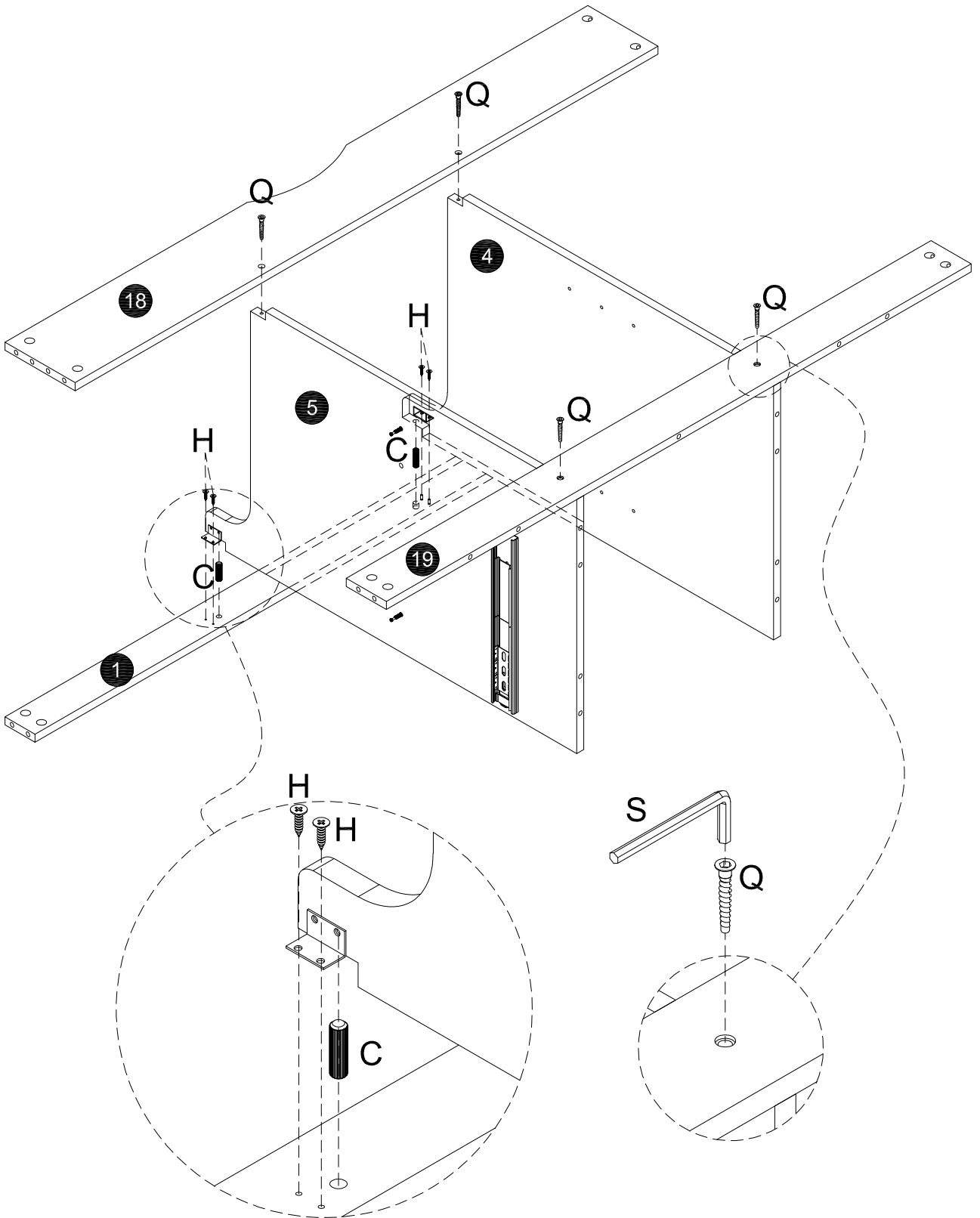
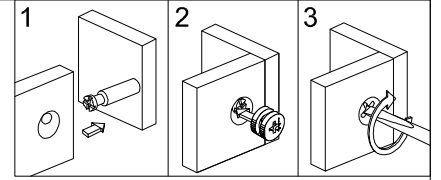






 A. x4PCS	 H. x4PCS
 N. x1PC	 R. x2PCS

8

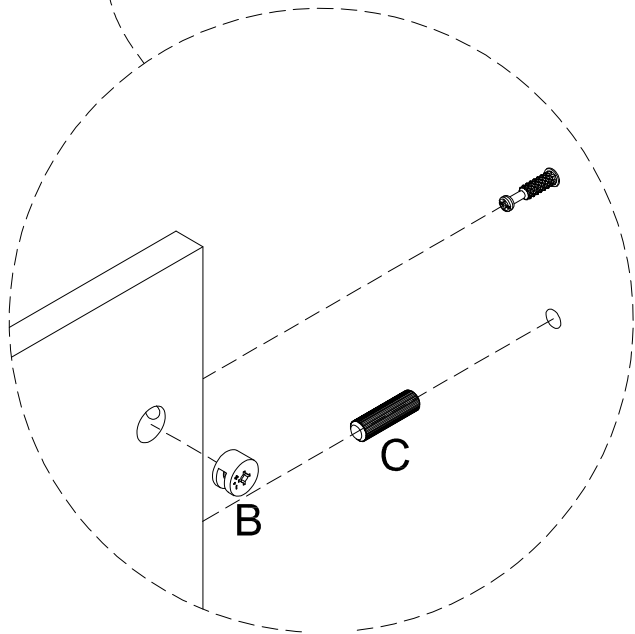
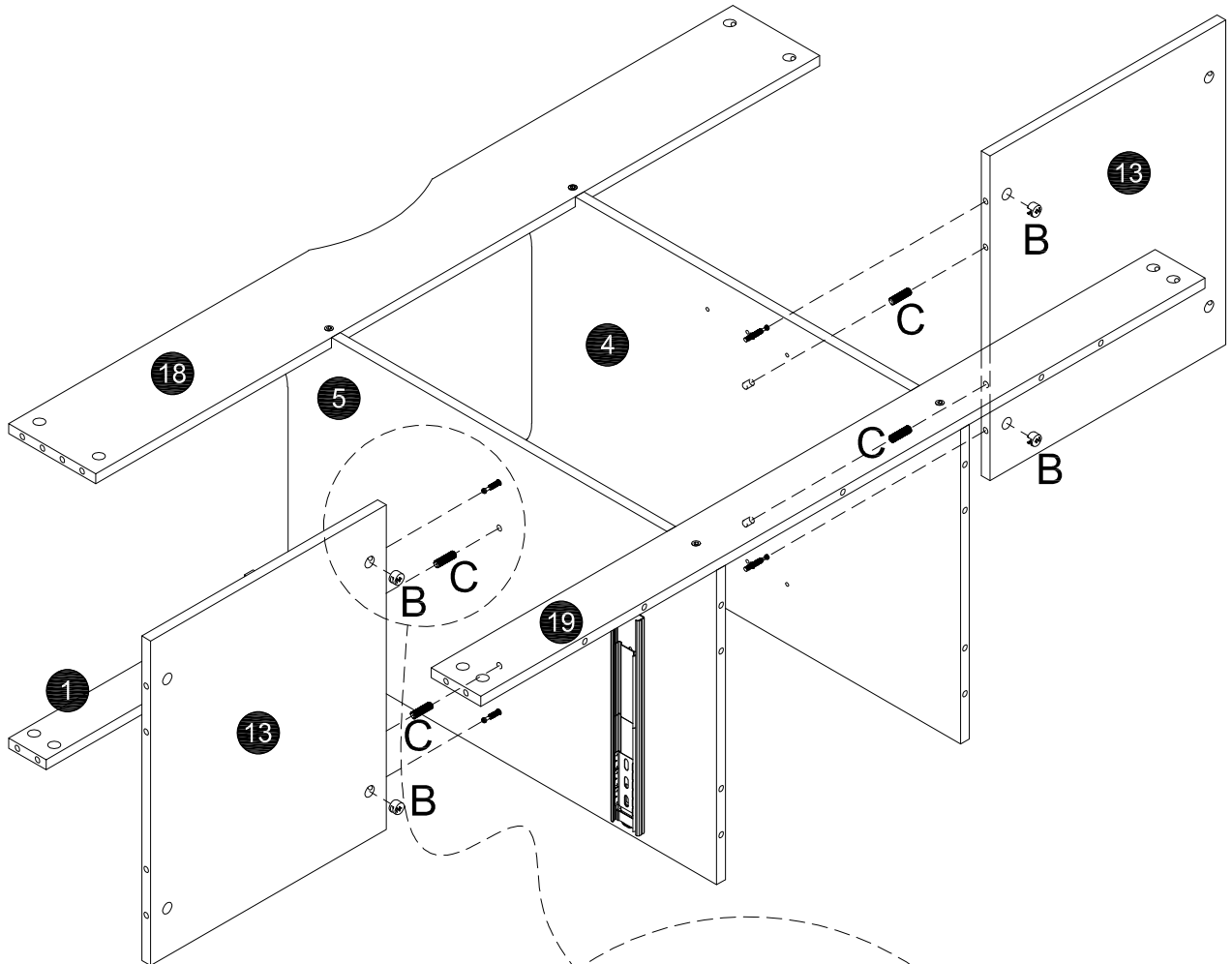
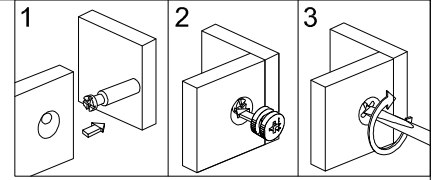




 H. x6PCS
 O2. x2PCS

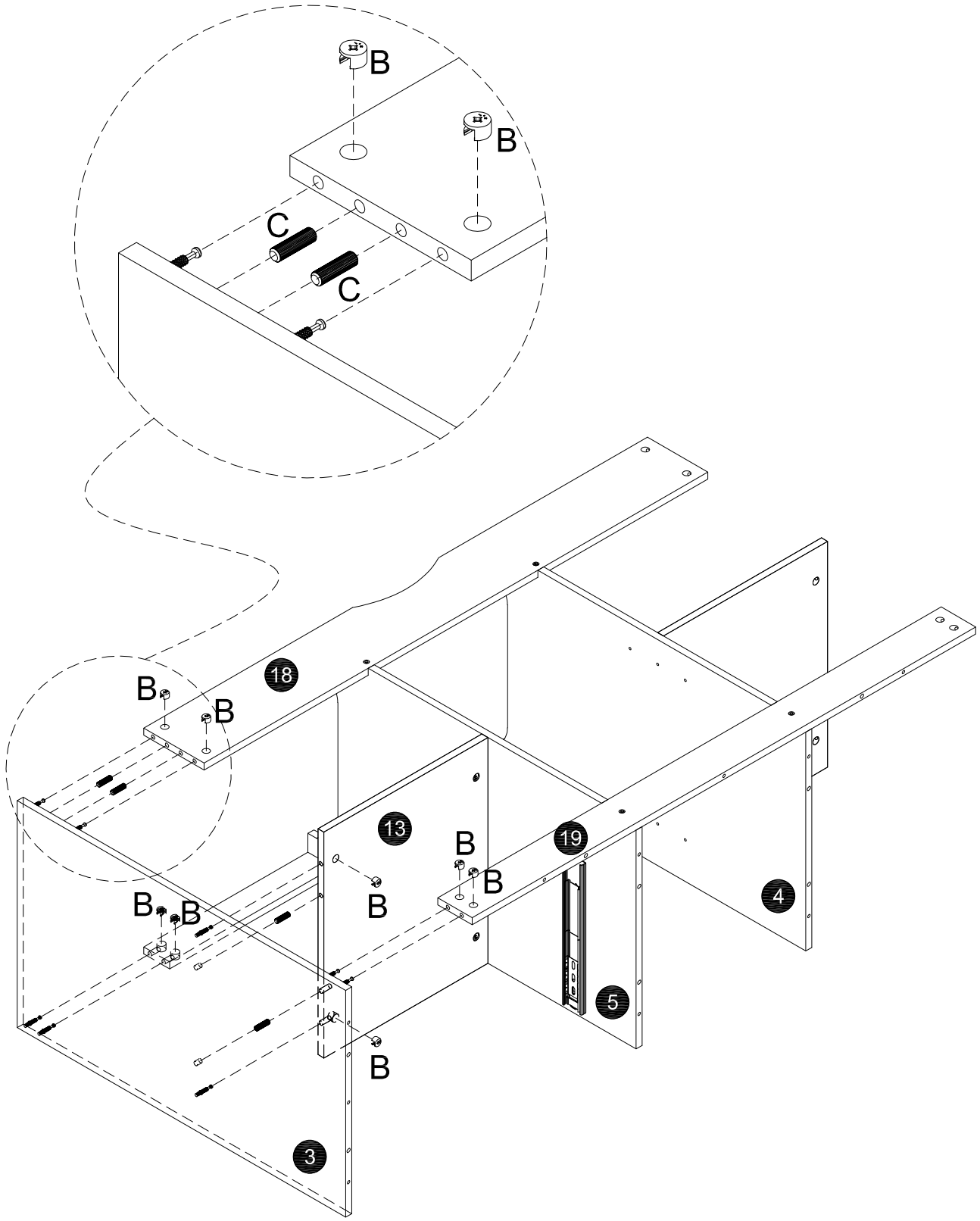
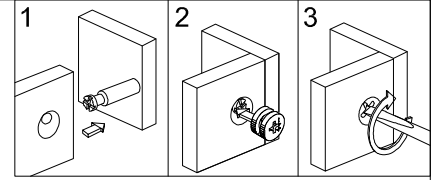




-  C. x2PCS
-  H. x4PCS
-  Q. x4PCS
-  S. x1PC

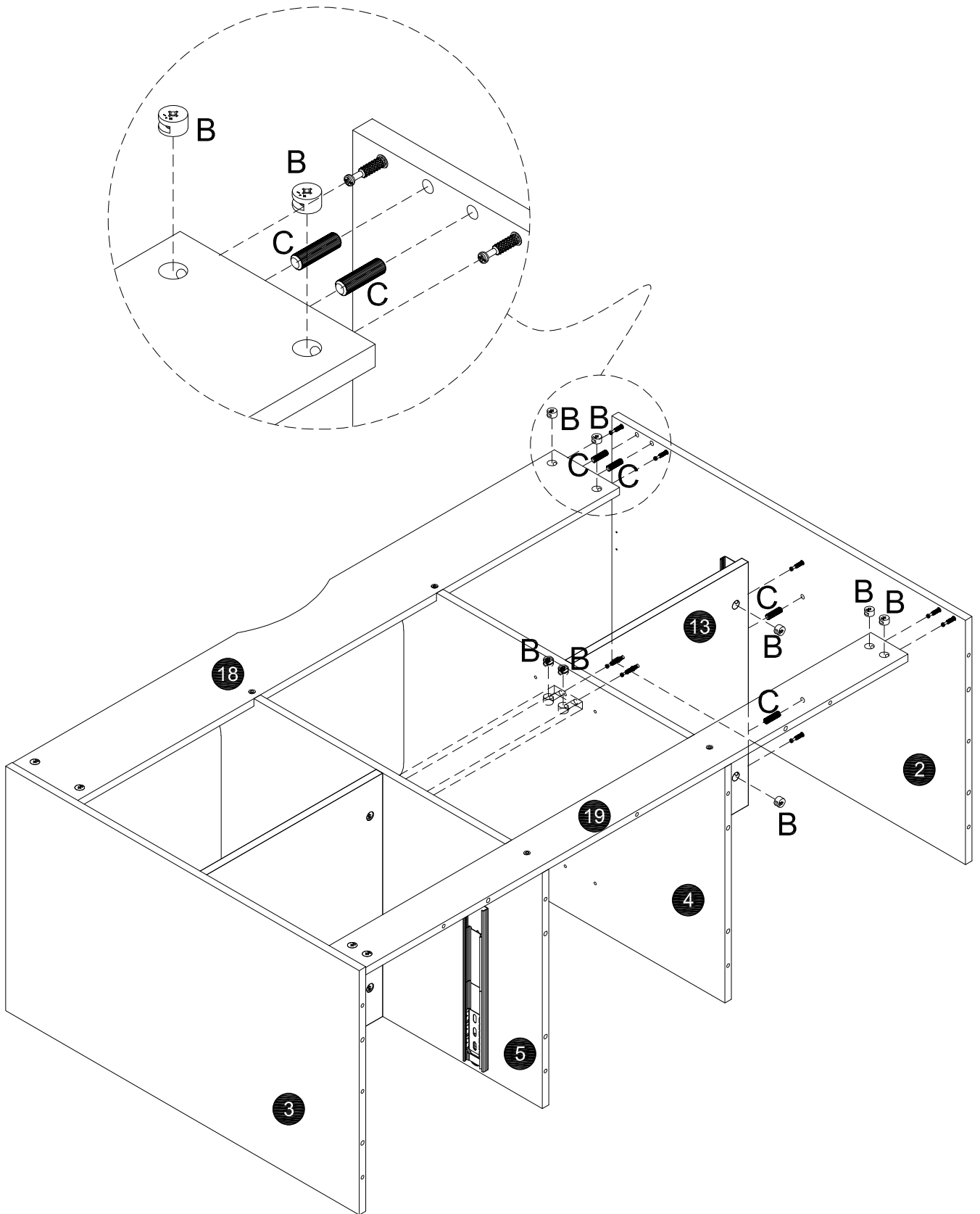
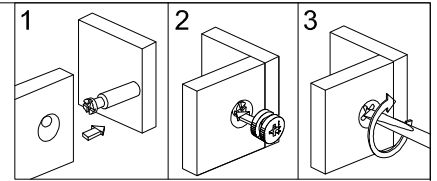
10





-  B. x4PCS
-  C. x4PCS

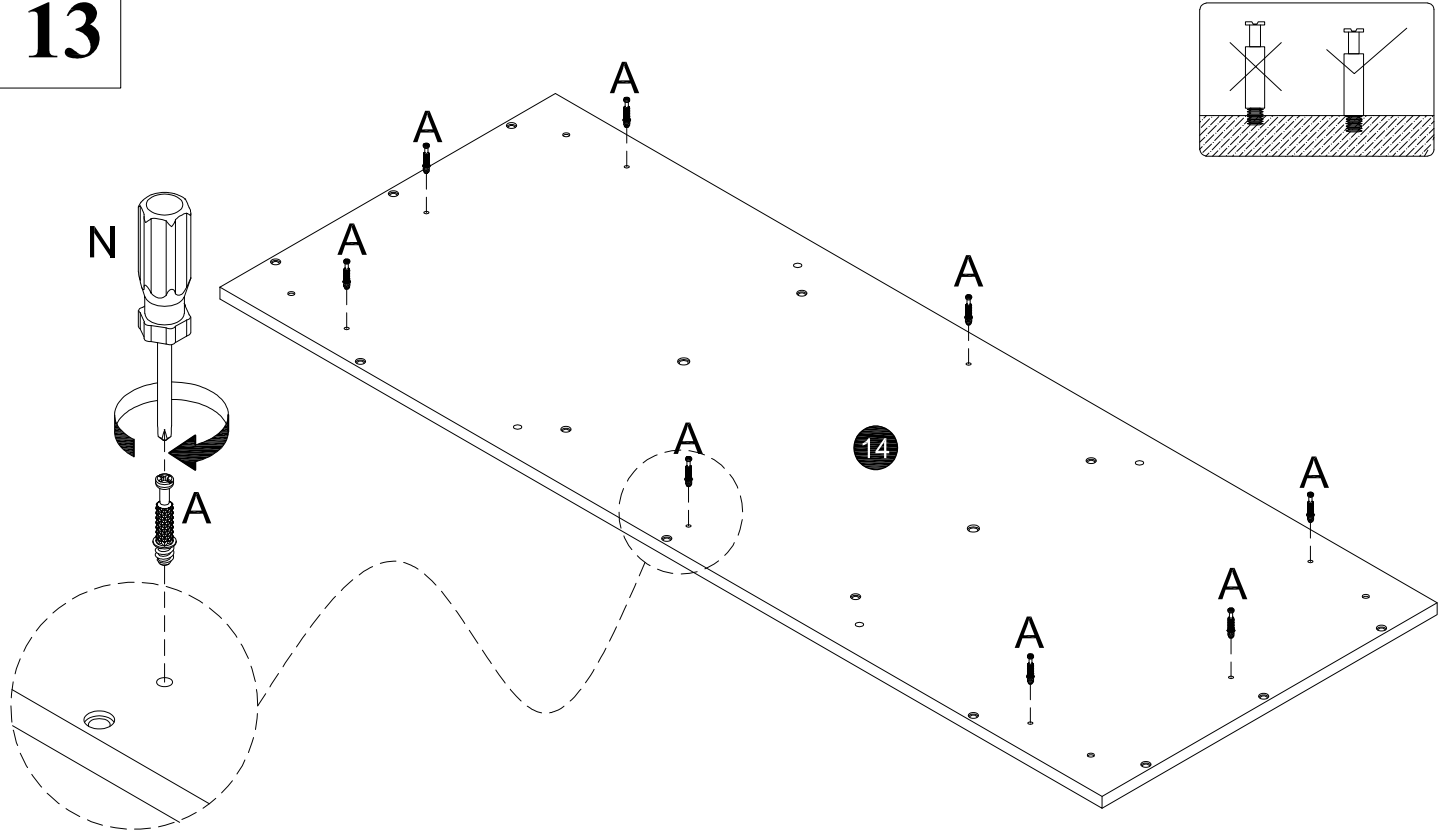




-  B. x8PCS
-  C. x4PCS



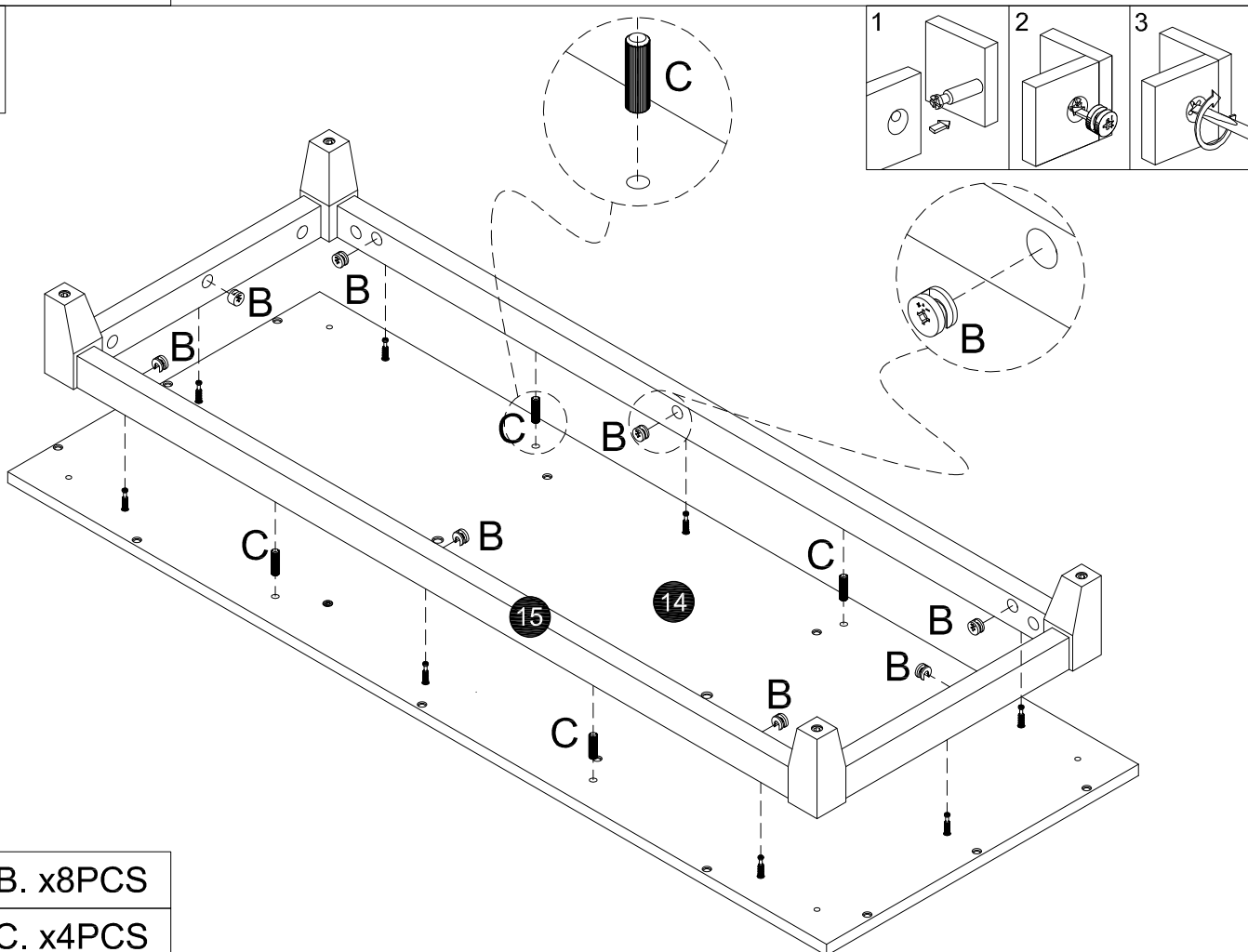
-  B. x8PCS
-  C. x4PCS



13



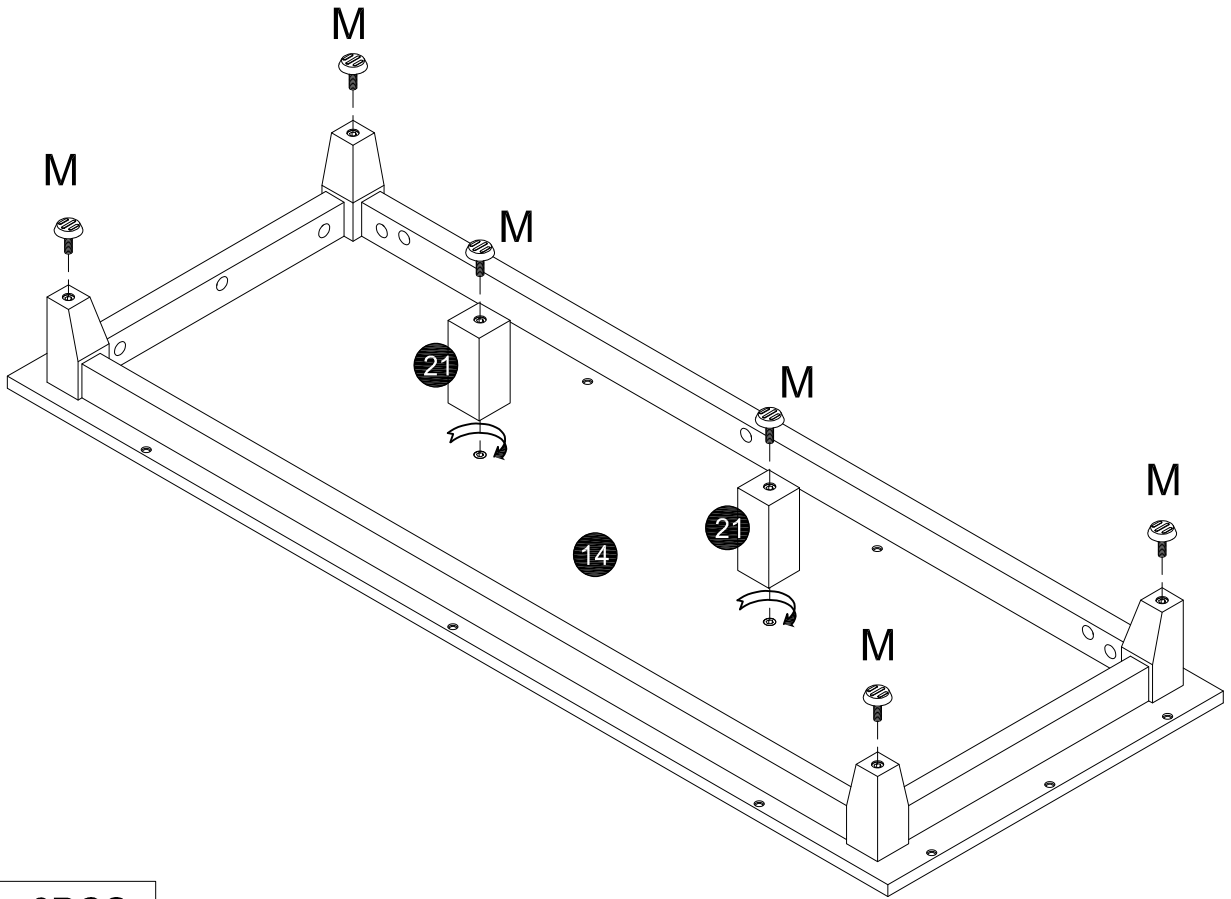
-  A. x8PCS
-  N. x1PC


14



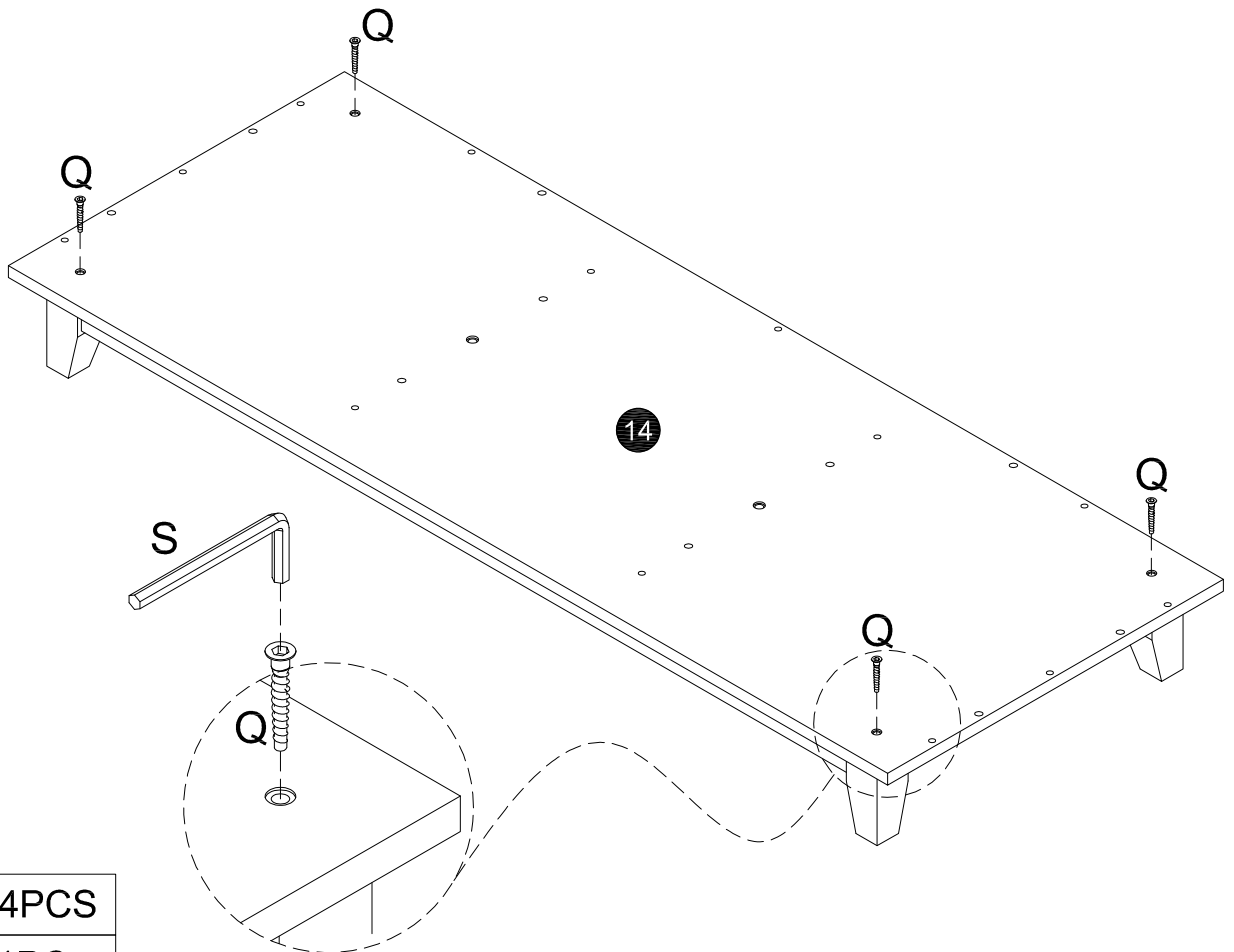
-  B. x8PCS
-  C. x4PCS



15

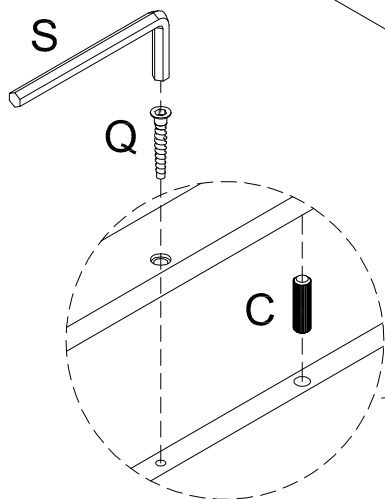
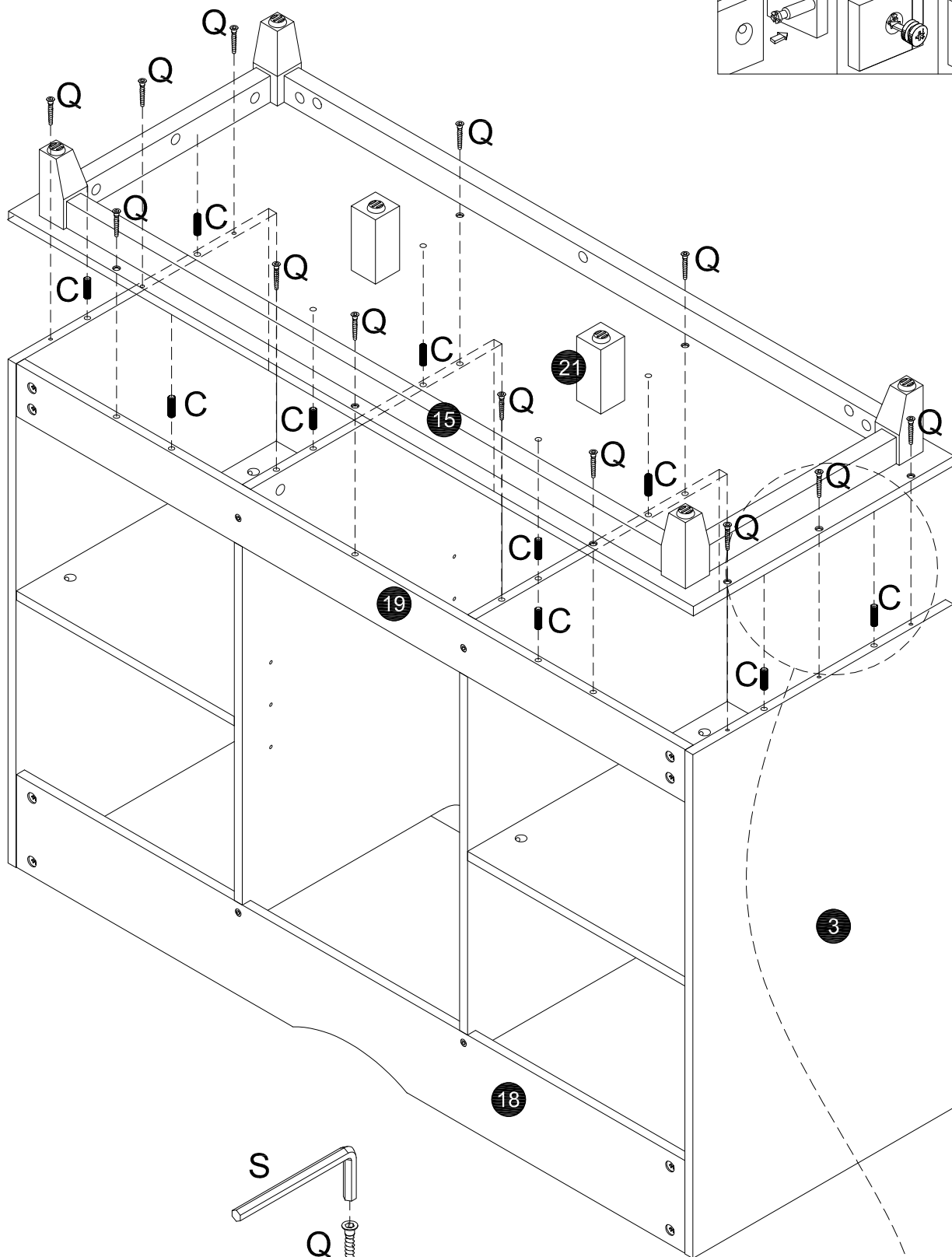
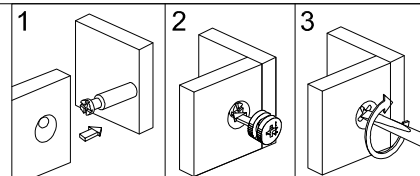





 M. x6PCS

16

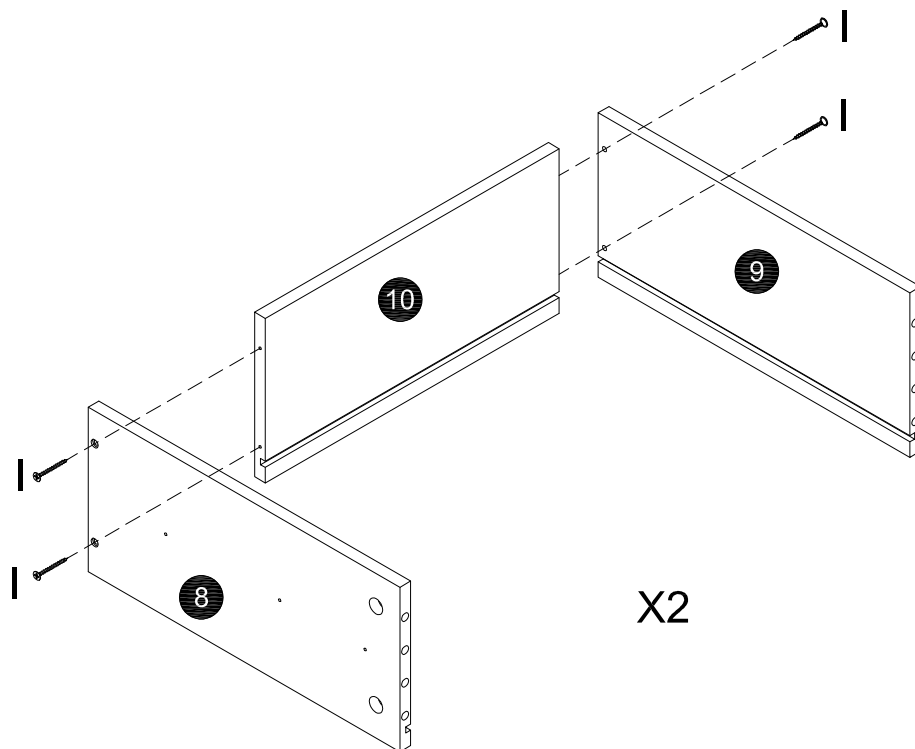


 Q. x4PCS
 S. x1PC



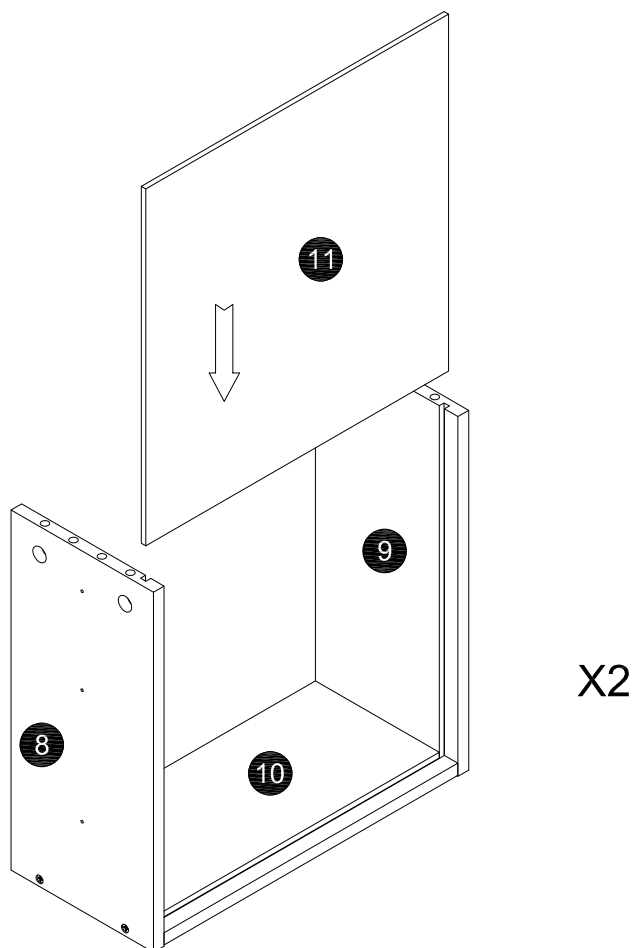
- | | |
|--|-----------|
|  | C. x10PCS |
|  | Q. x13PCS |
|  | S. x1PC |

18

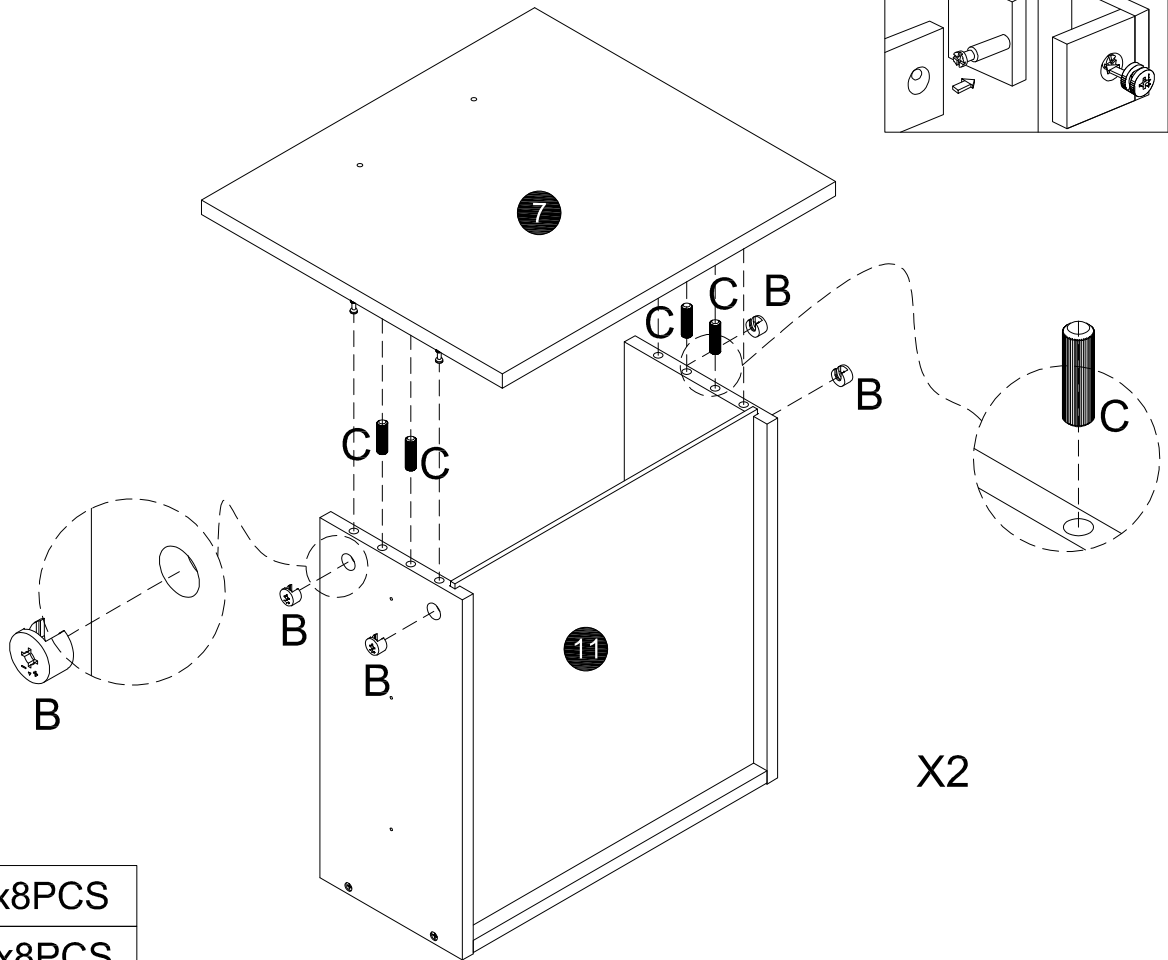
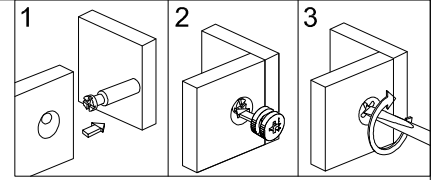


I. x8PCS



19



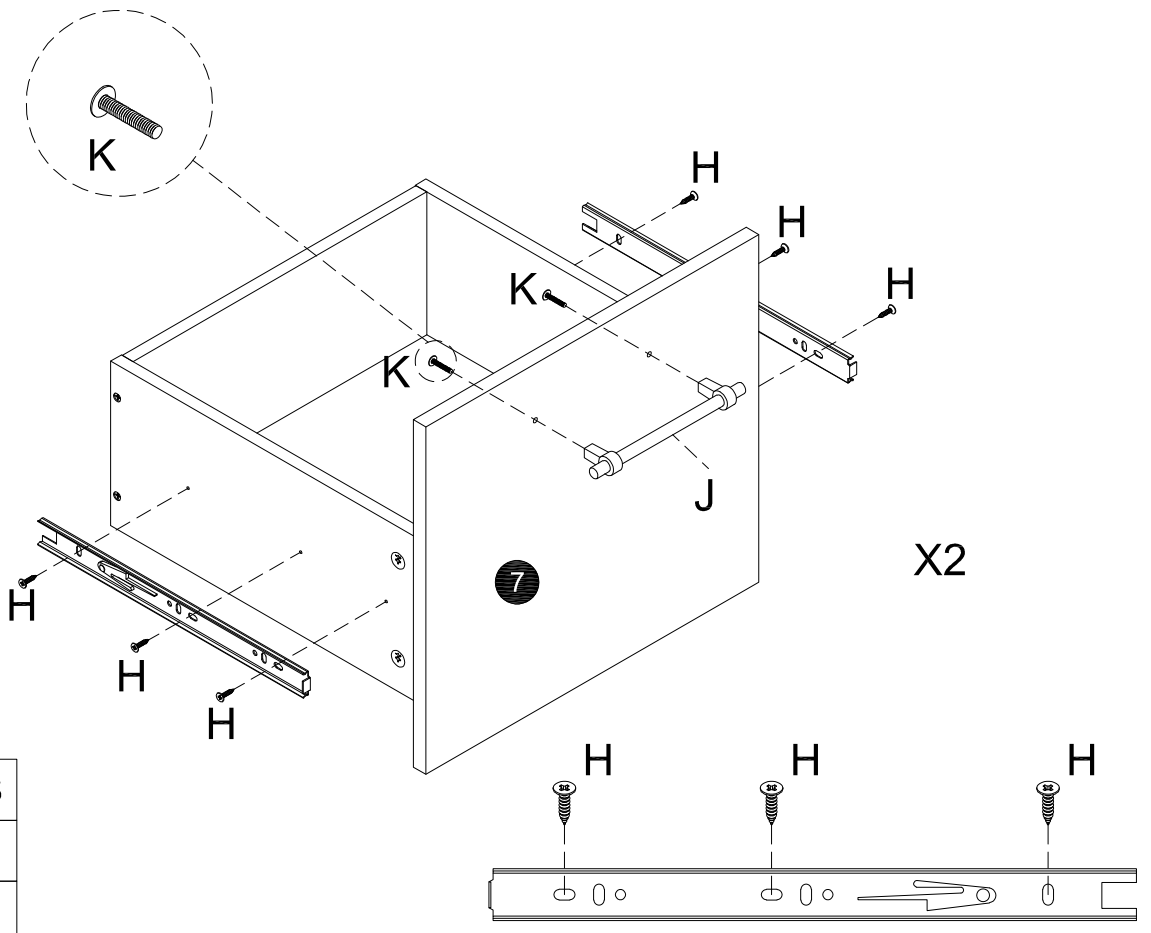
20




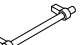


X2

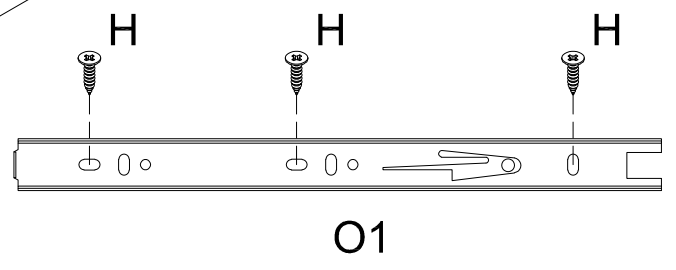
-  B. x8PCS
-  C. x8PCS

21



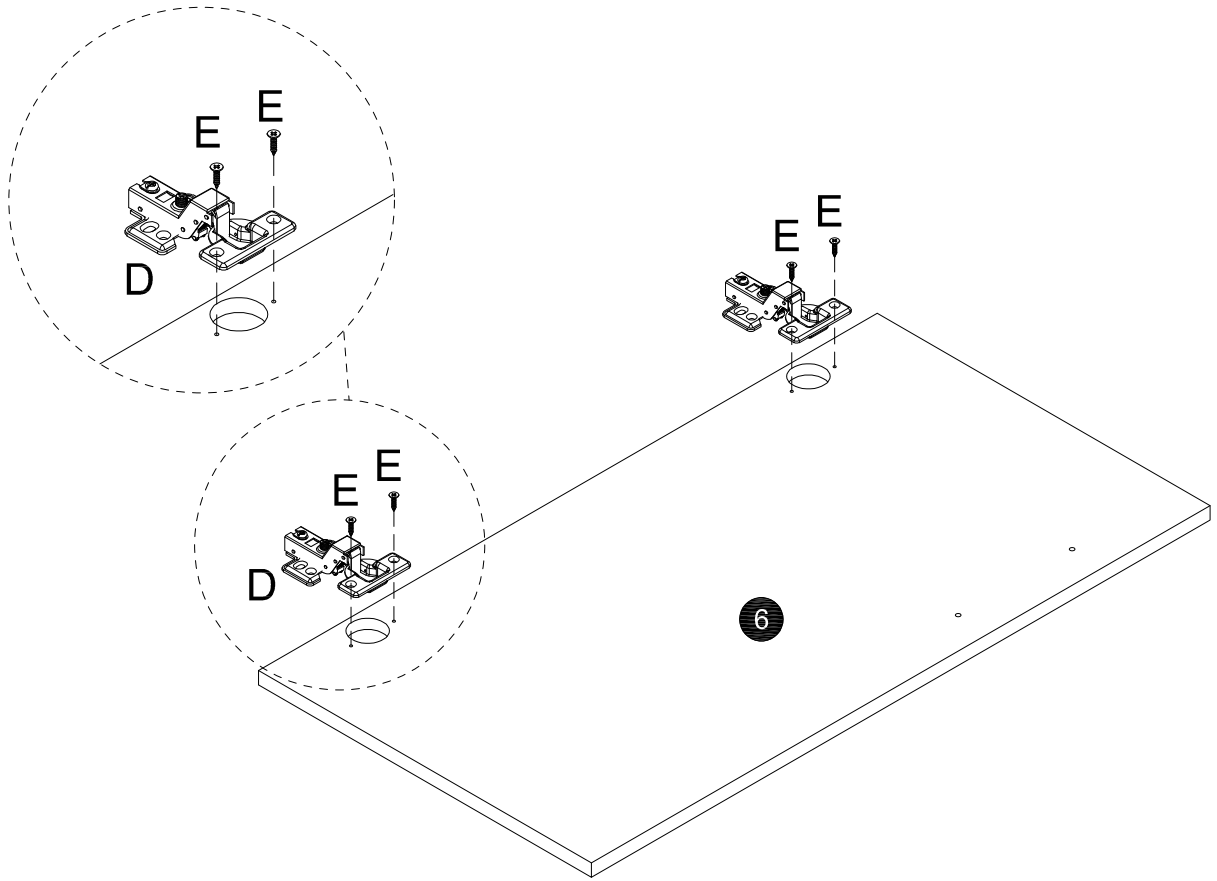
X2


-  H. x12PCS
-  J. x2PCS
-  K. x4PCS
-  O1. x4PCS




O1

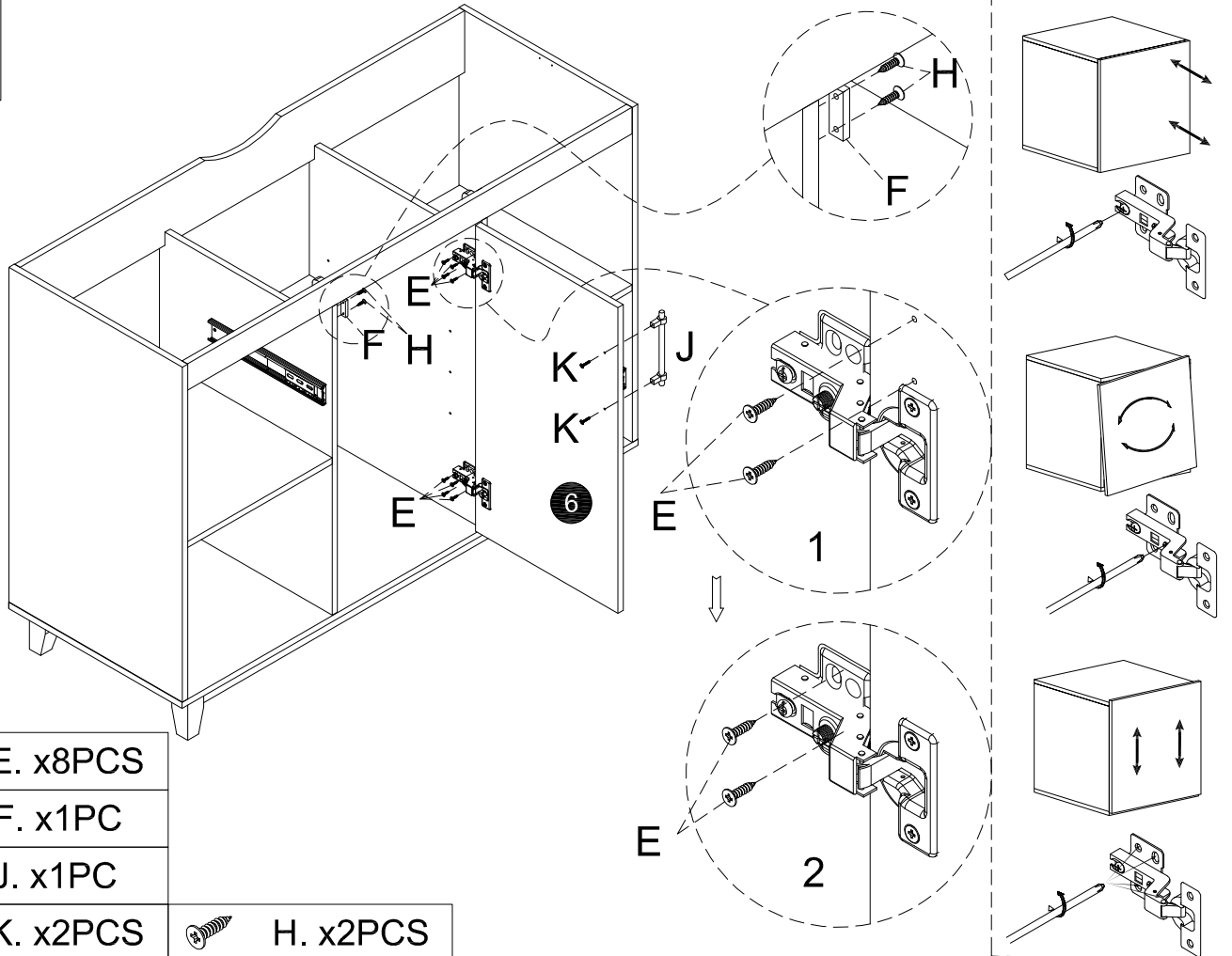
22




 D. x2PCS

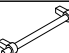
 E. x4PCS


23




 E. x8PCS

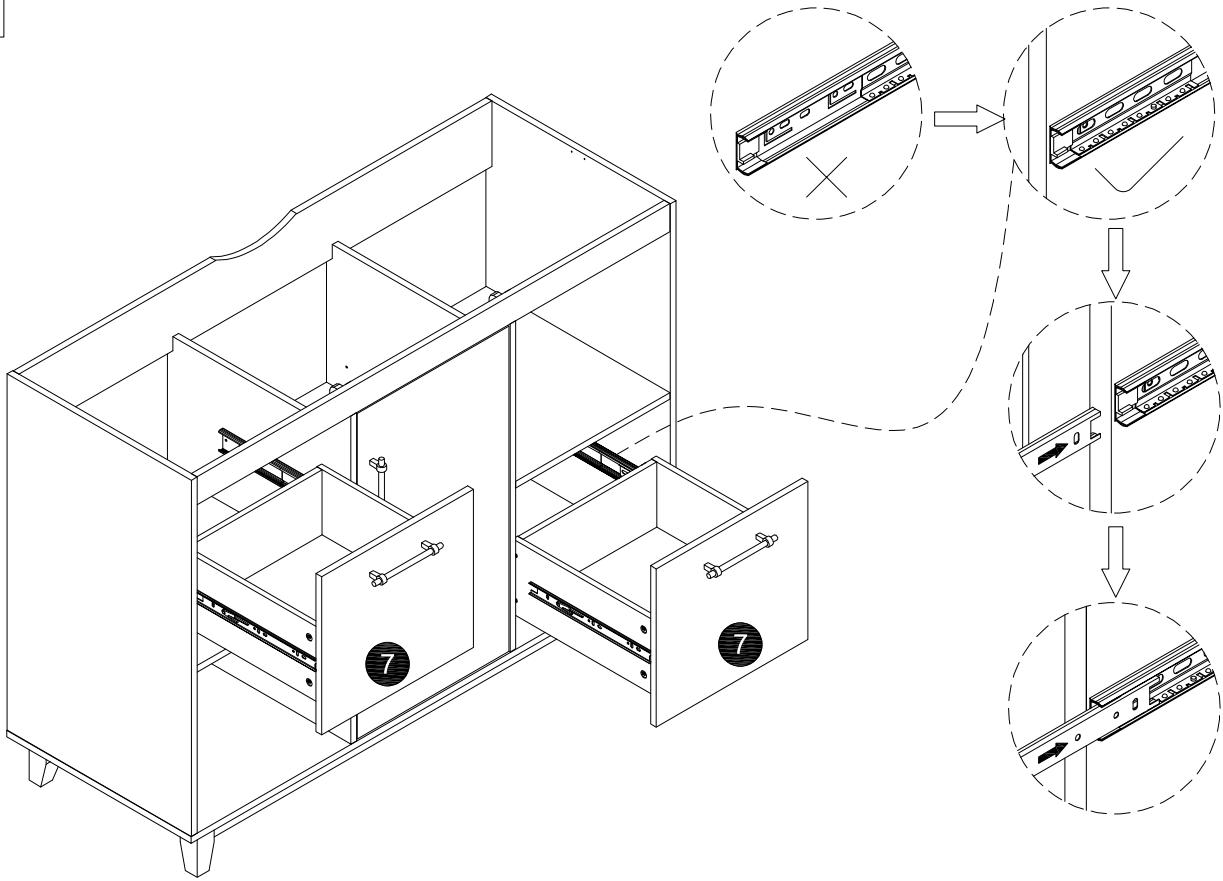
 F. x1PC

 J. x1PC

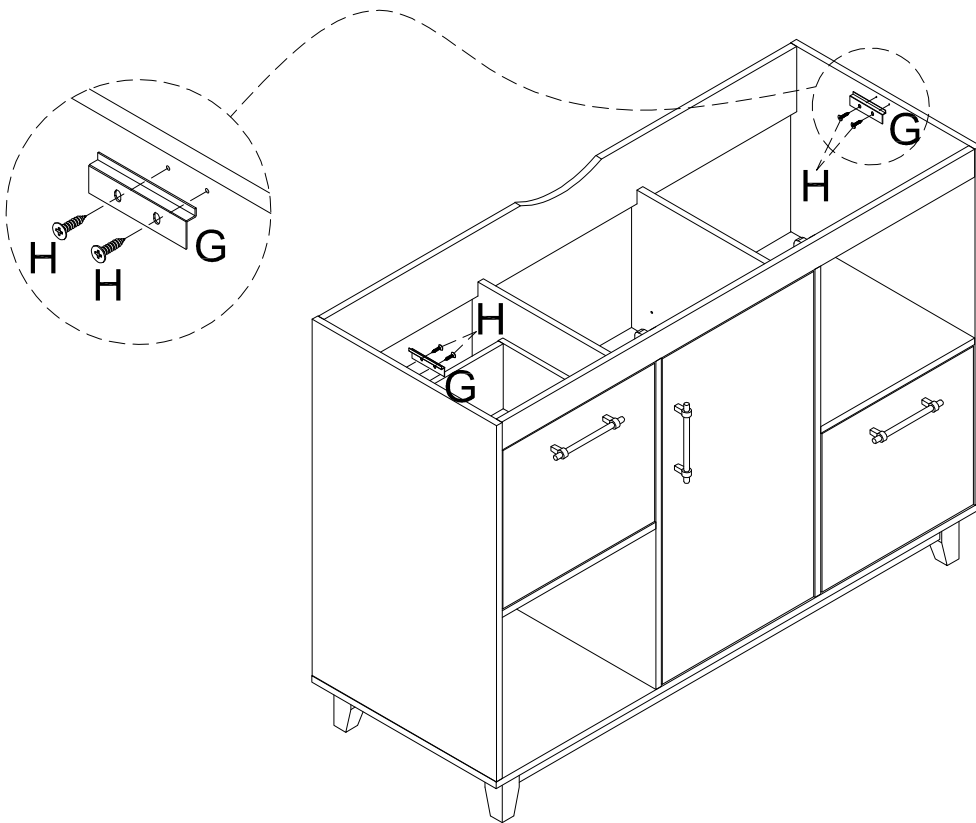
 K. x2PCS

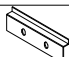

 H. x2PCS

24

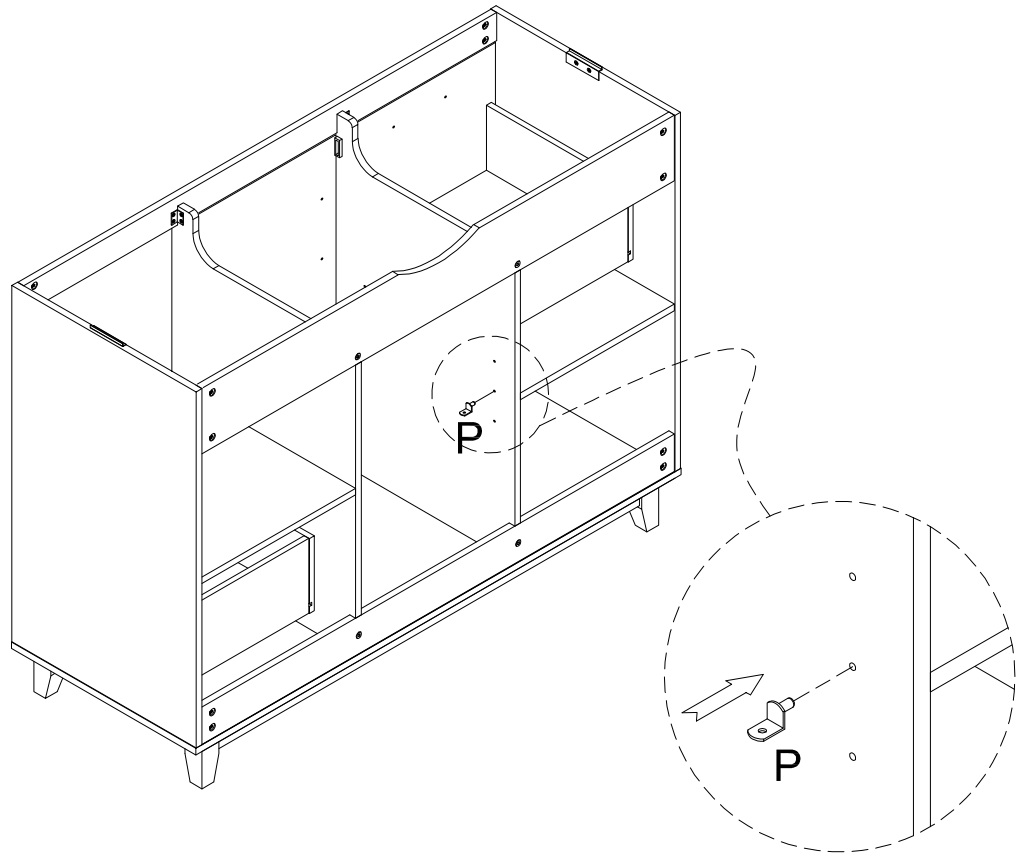



25



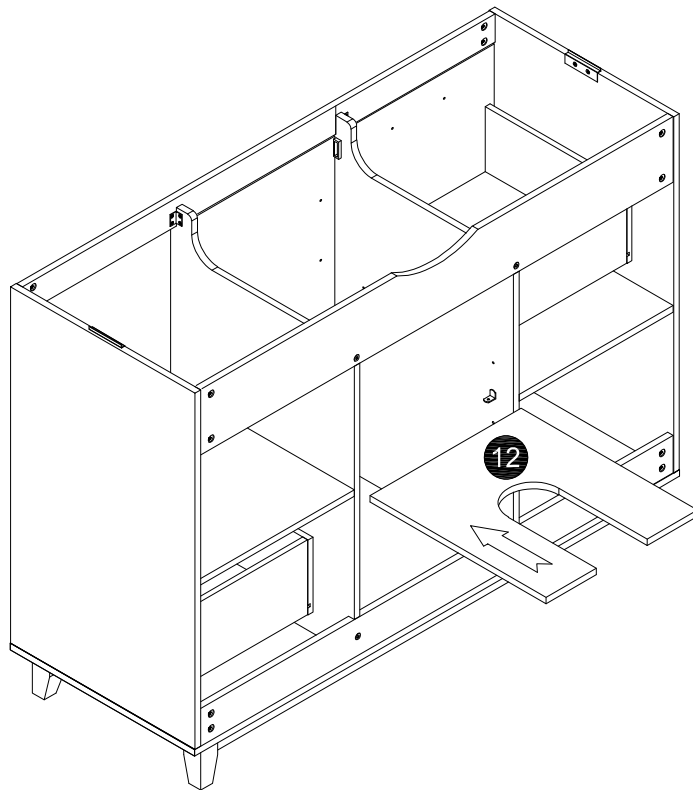
-  G. x2PCS
-  H. x4PCS

26



 P. x4PCS

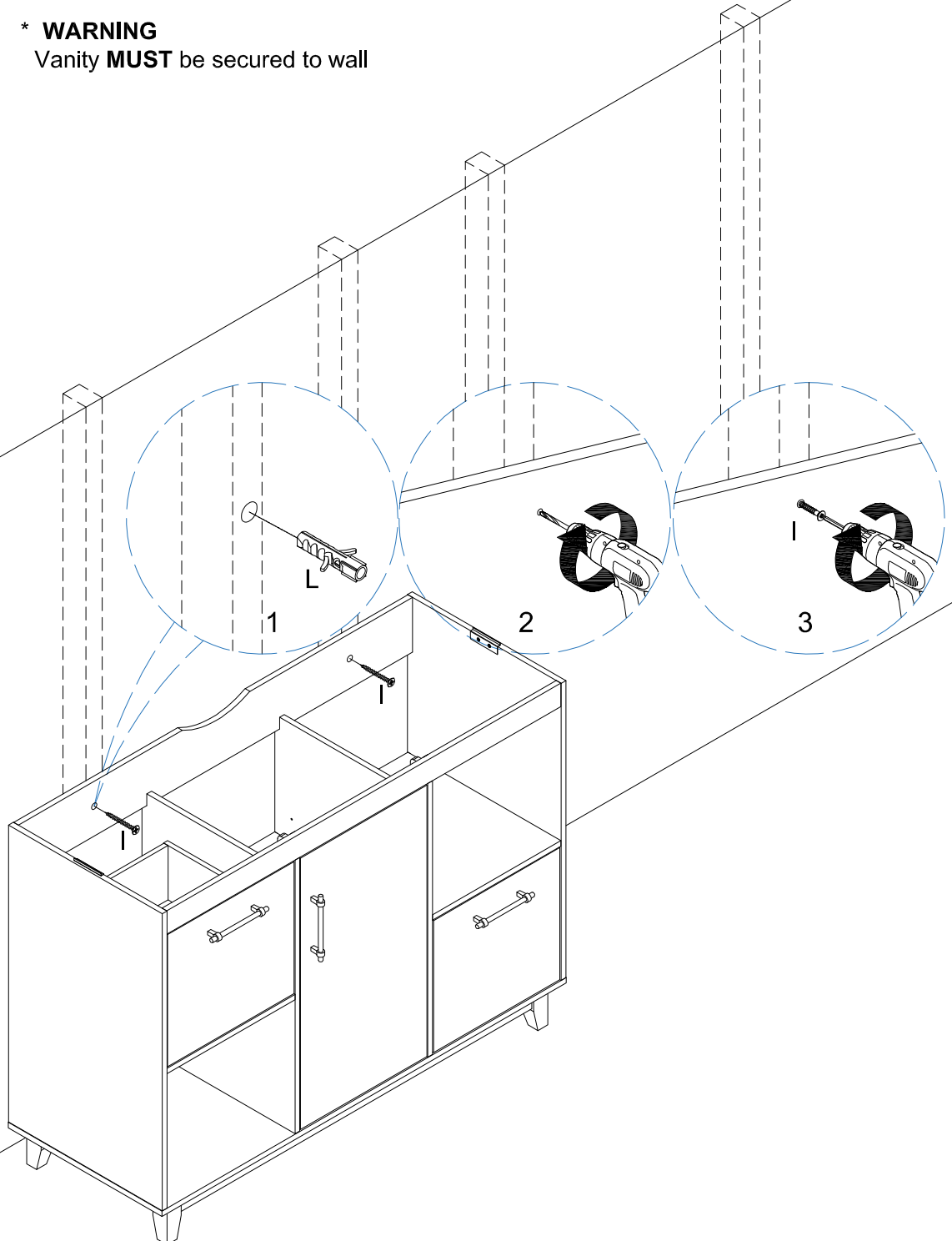
27





***Note:** Clean area where the vanity will be permanently located prior to beginning installation, ensuring the vanity will not interfere with any water supply and drain lines once mounted.

* With the help of another adult, carefully place vanity against the wall in its final location. From inside vanity, drill hole through vanity mounting area and into wall studs. Using mounting hardware (L) appropriate for your installation site, secure vanity to wall stud

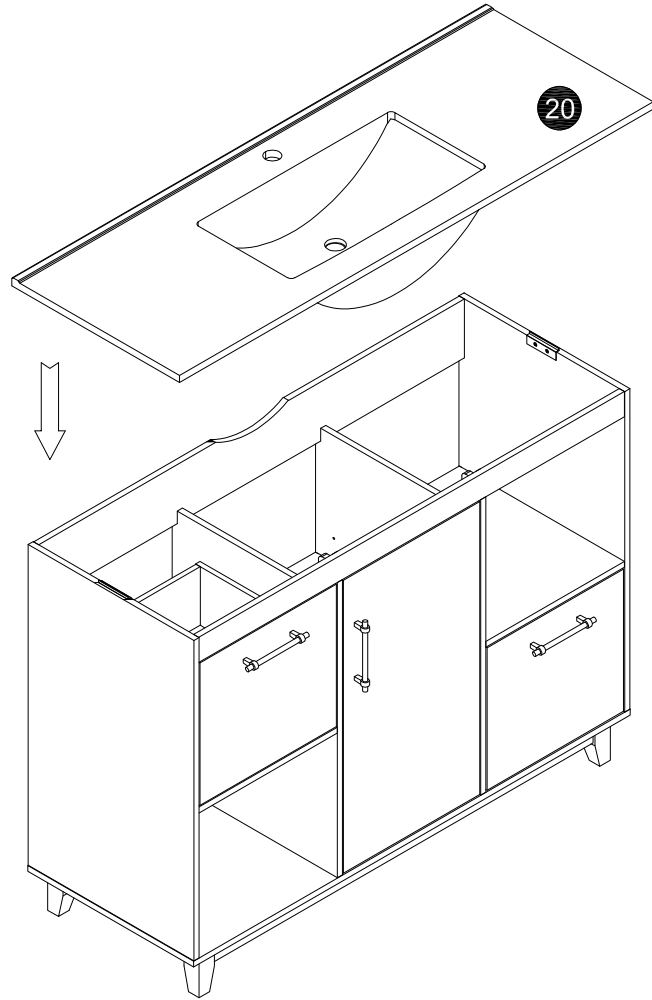
* **WARNING**
Vanity **MUST** be secured to wall



 L. x2PCS

 I. x2PCS

29



30

