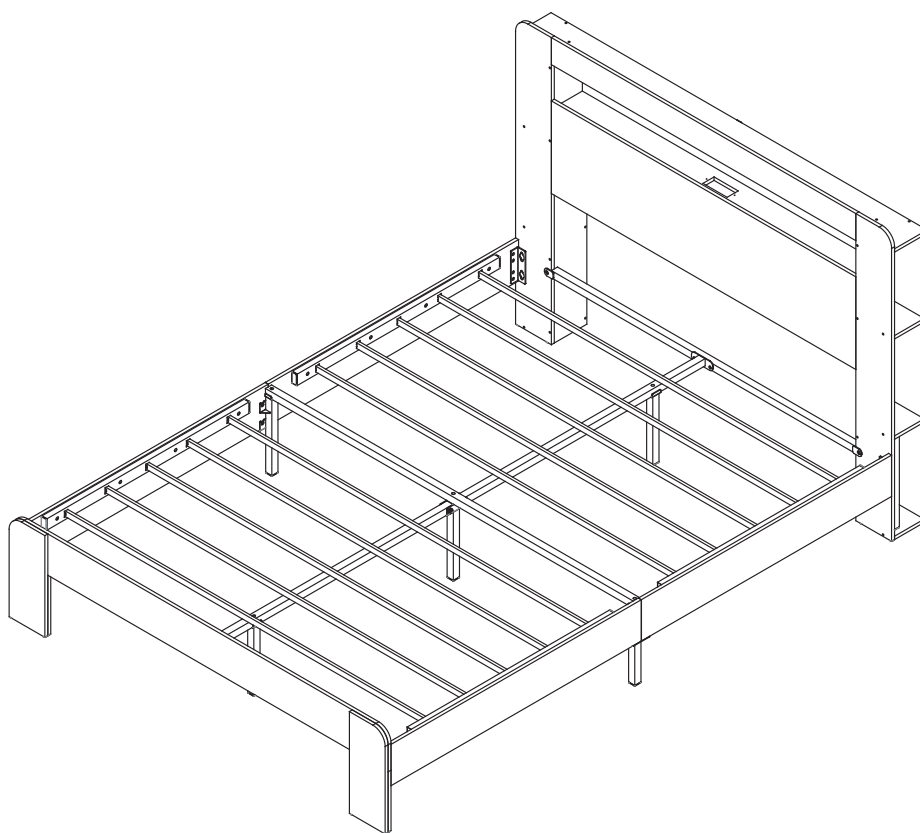
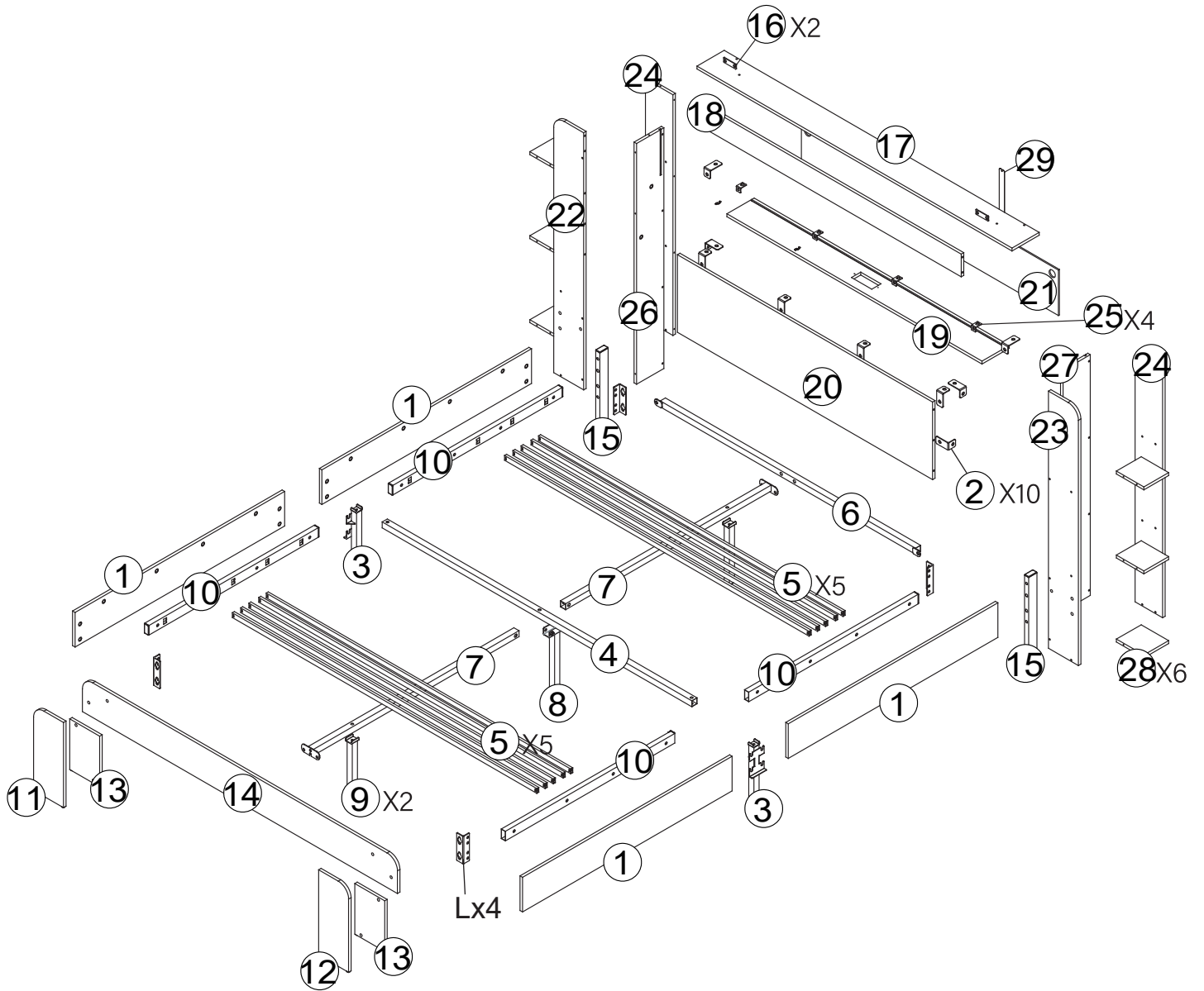


# BED FRAME



Thank you for choosing our products, please assemble and use it following the instructions.

# Assembly Instruction

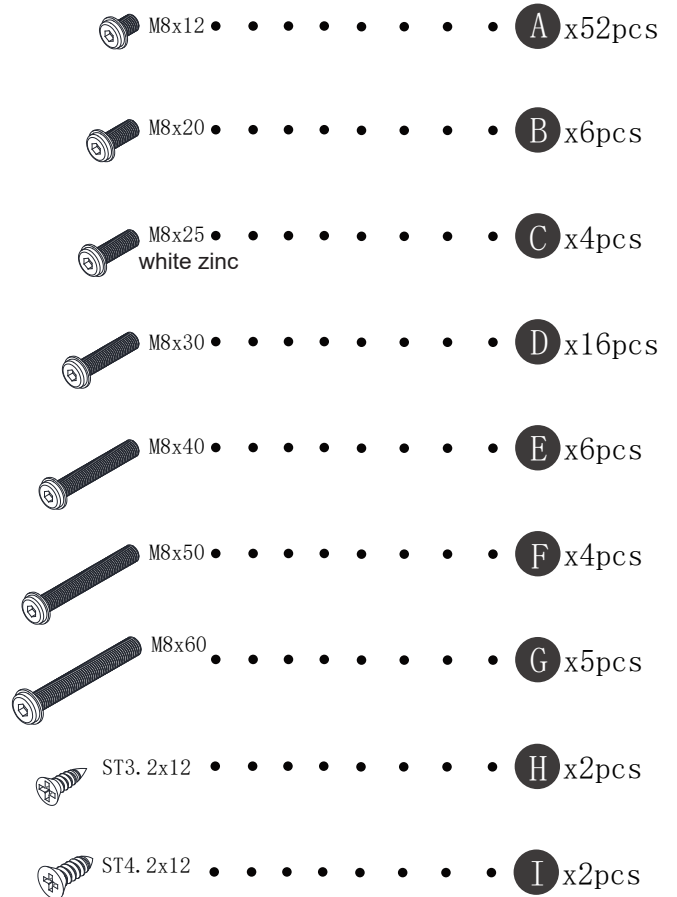
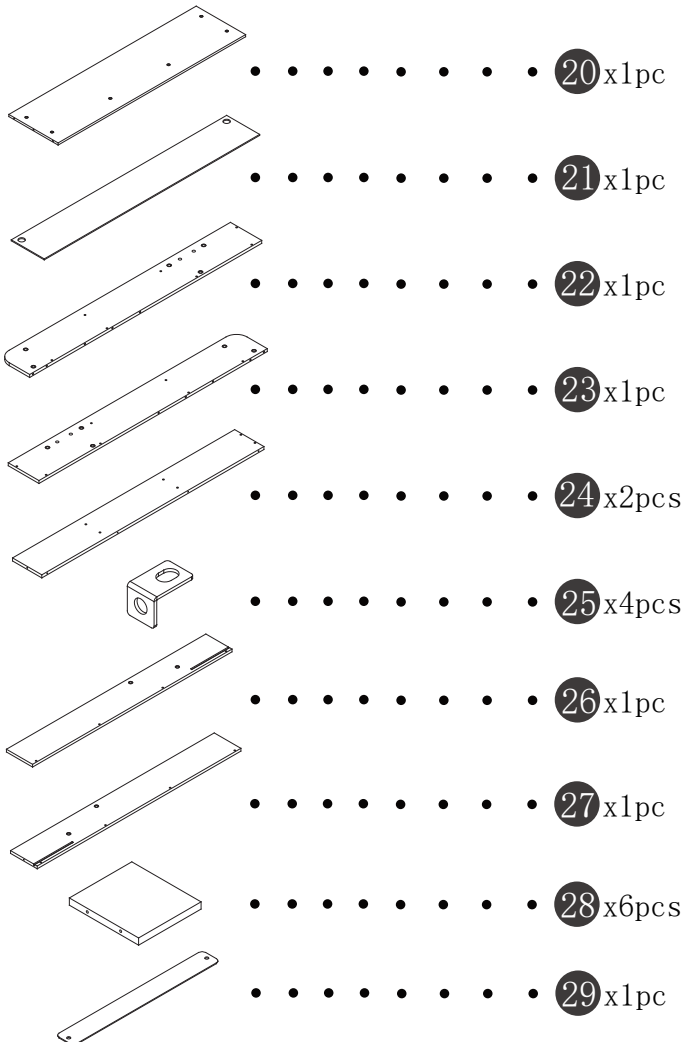
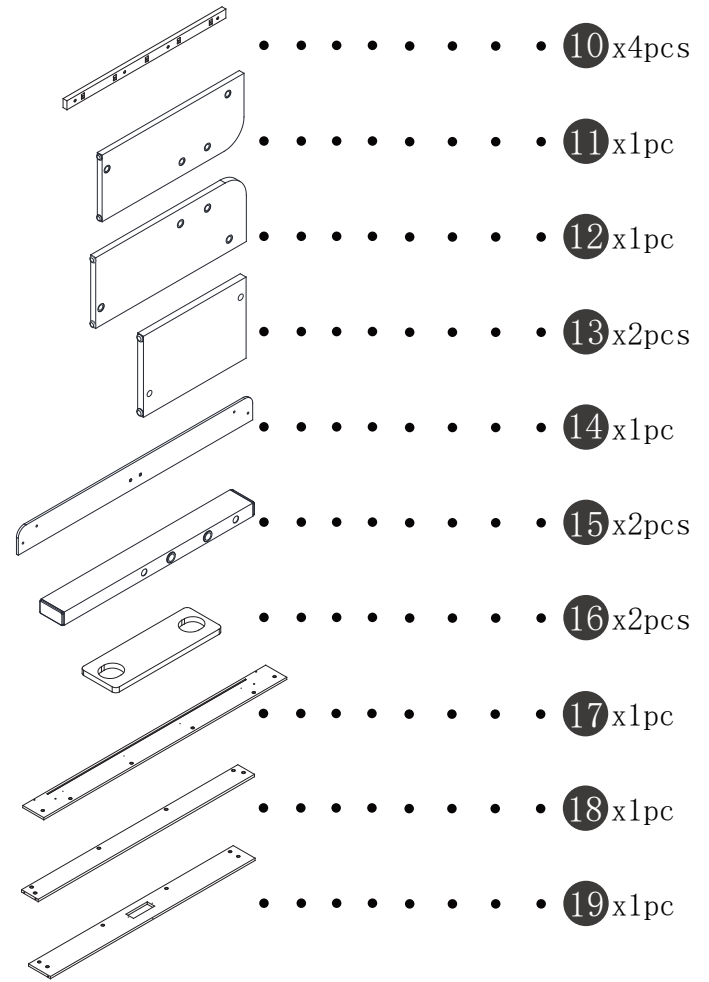
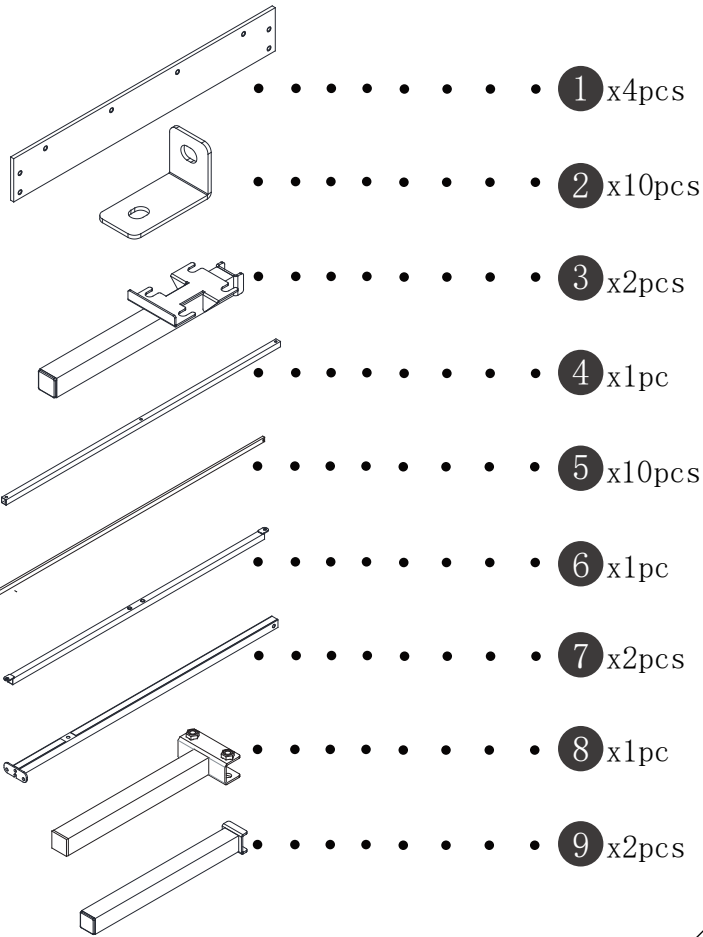


## Important Note

### HARDWARE NOTE :

1. Two or more people are required for assembly
2. Do not screw on the bolts too tight unless the installation is done. Make sure all bolts are tightly screwed before you use it.

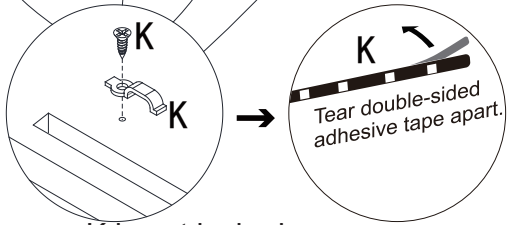
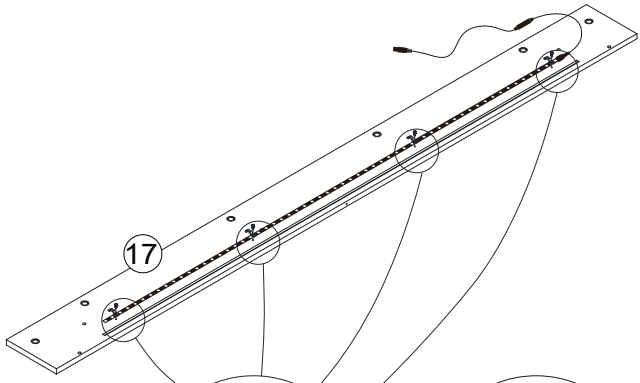
# Components





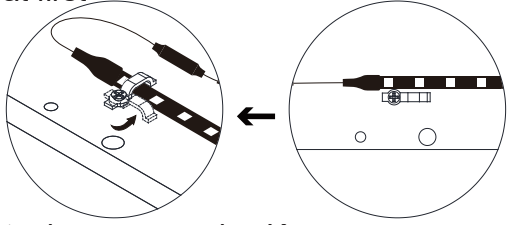
NOTE: F/Q is installed 4 (N)(H)

4



Tear double-sided adhesive tape apart.

Accessory K is not locked tight at first

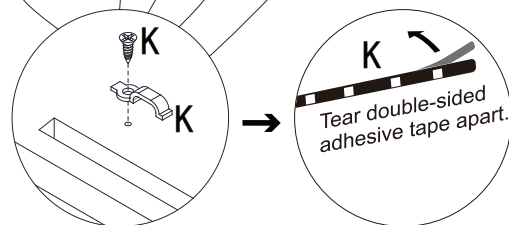
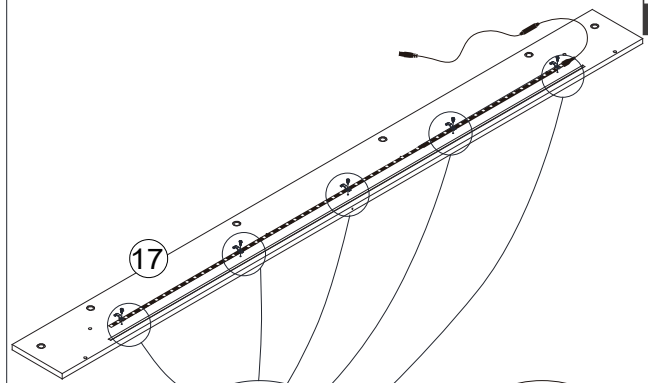


Fastening accessories K

K		4pcs
	ST3.0x10	

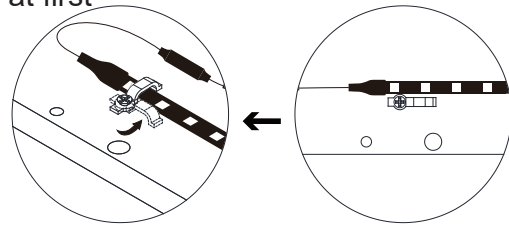
NOTE: King is installed 5 (N)(H)

4-1




Tear double-sided adhesive tape apart.

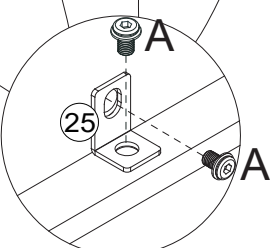
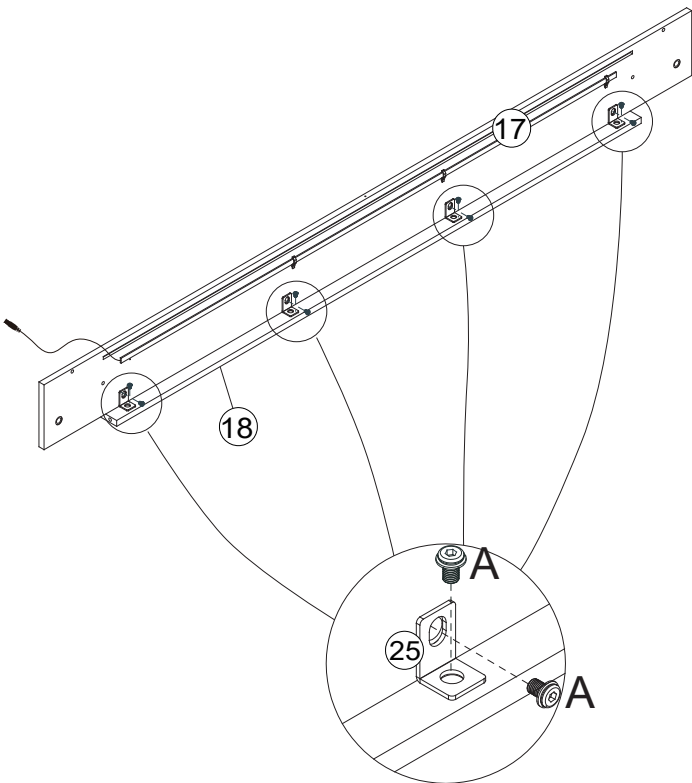
Accessory K is not locked tight at first



Fastening accessories K

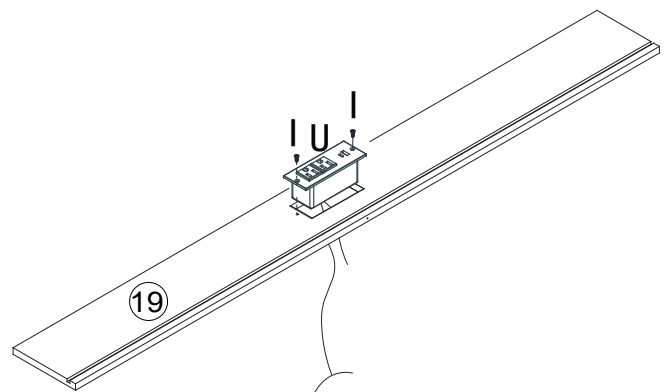
K		5pcs
	ST3.0x10	

5



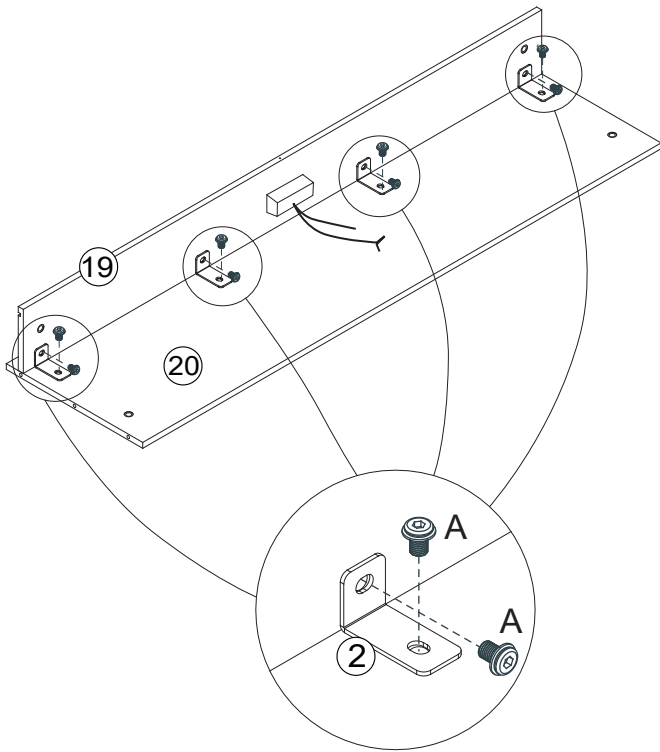
A		8pcs
	M8x12	

6



I		2pcs
	ST4.2x12	

7

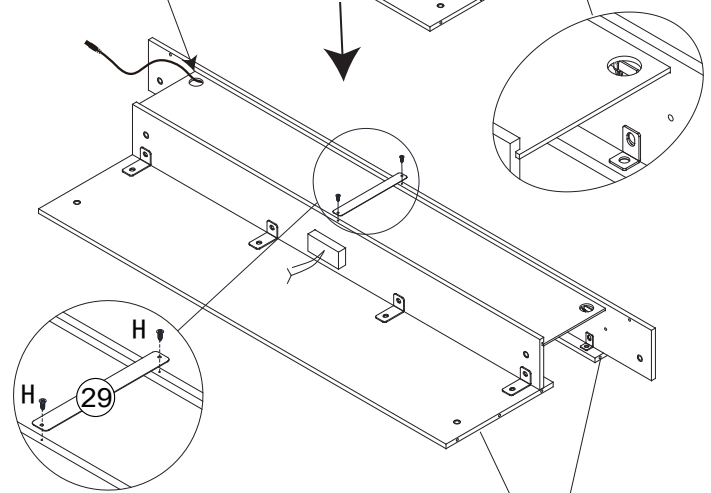


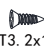
A		8pcs
M8x12		

8

2 persons required  
for assembling

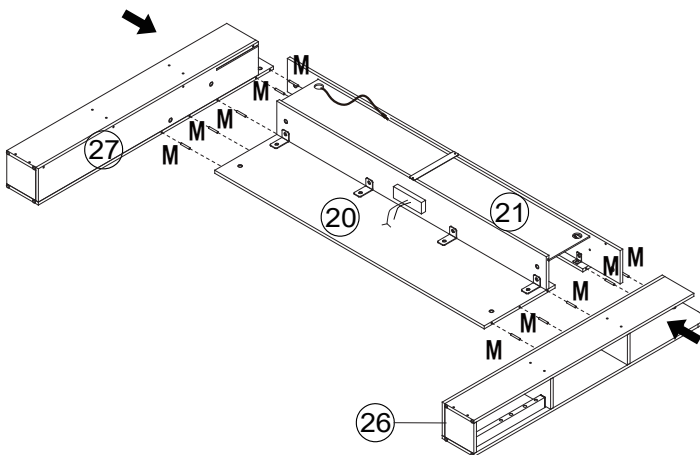
Pass the LED  
strip connector  
through the hole

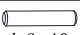


H		2pcs
ST3. 2x12		

The two boards are flush.

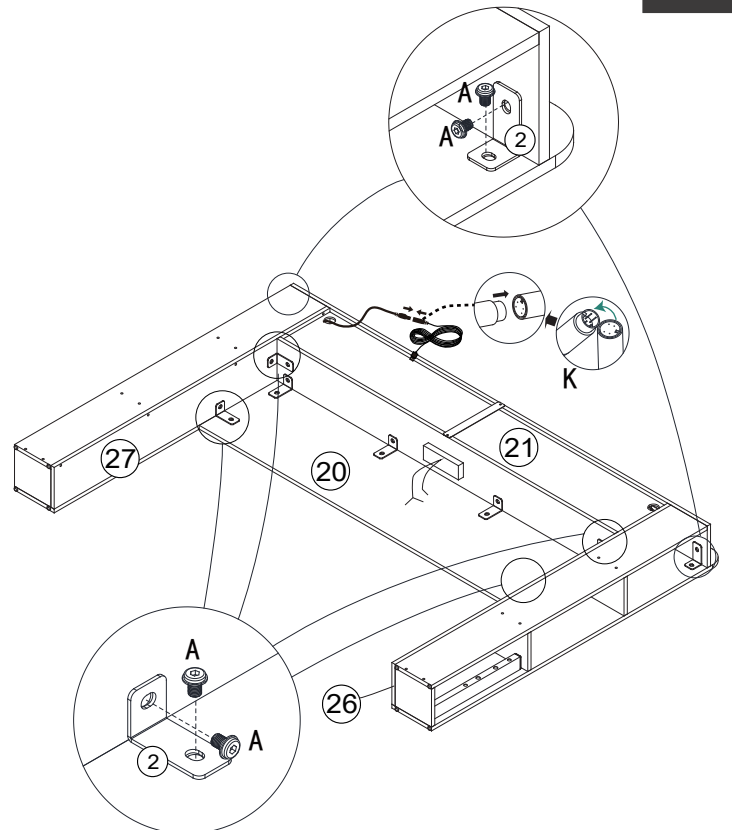
9




M		10pcs
Φ 6x40		

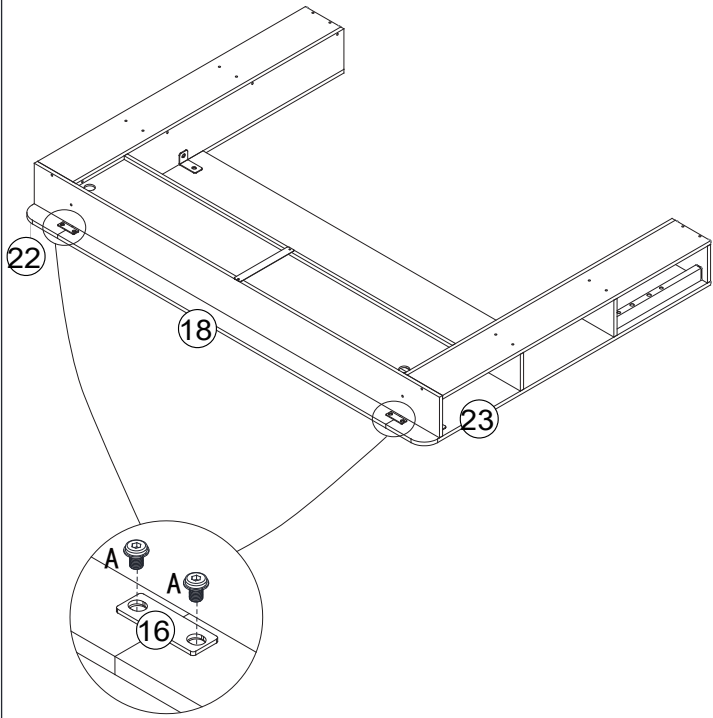
2 persons required  
for assembling

10



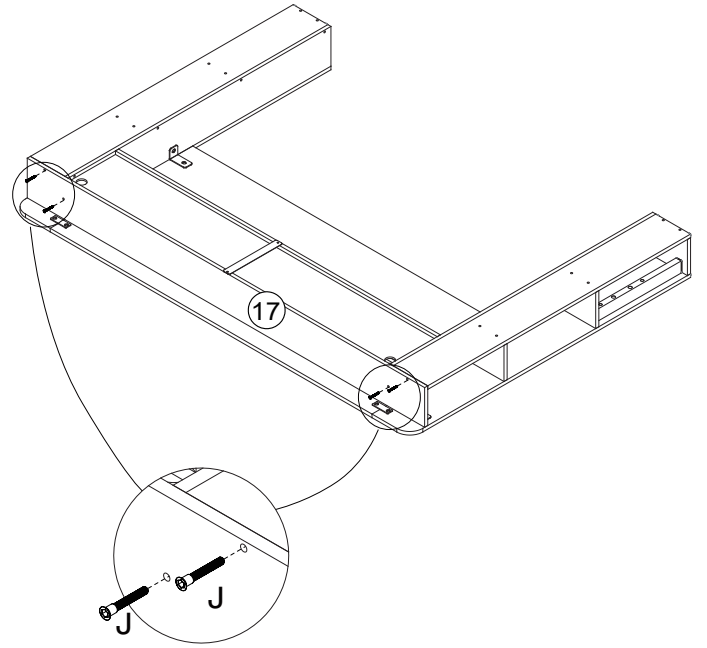
A		12pcs
M8x12		


11



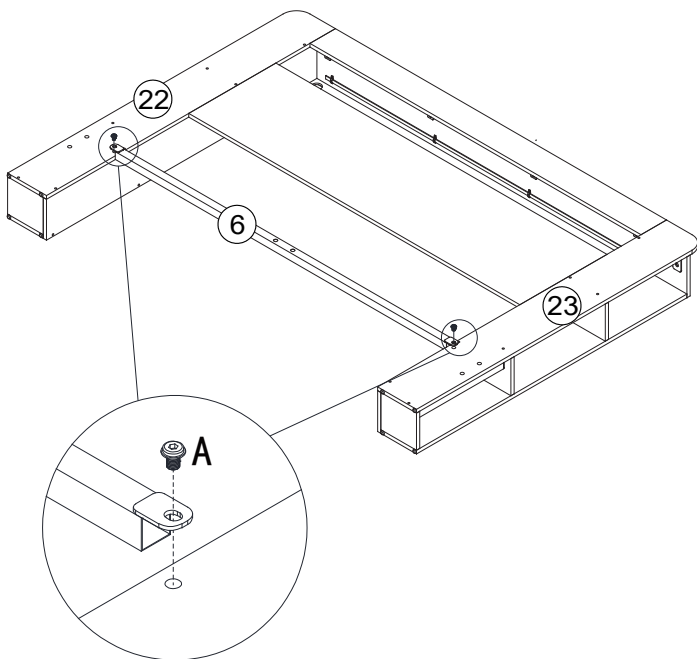
A		M8x12	4pcs
---	---	-------	------

12



J		M5x40	4 pcs
---	--	-------	-------

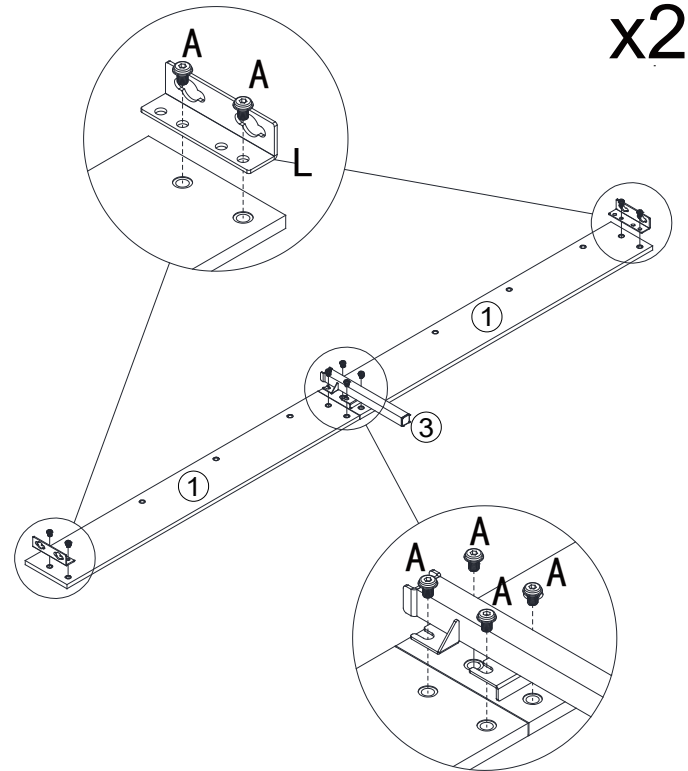
13



A		M8x12	2pcs
---	---	-------	------

14

x2



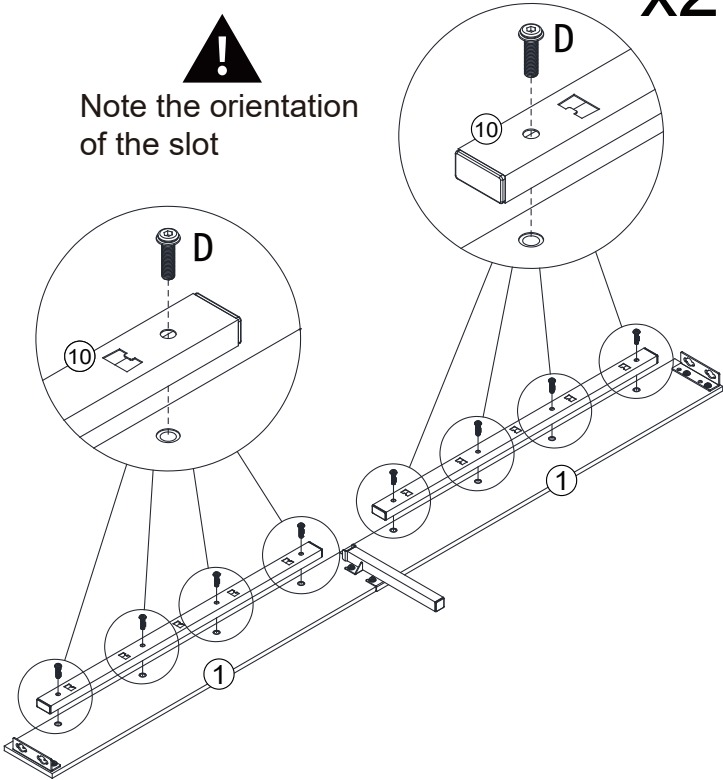
A		M8x12	16pcs
---	--	-------	-------

15

x2

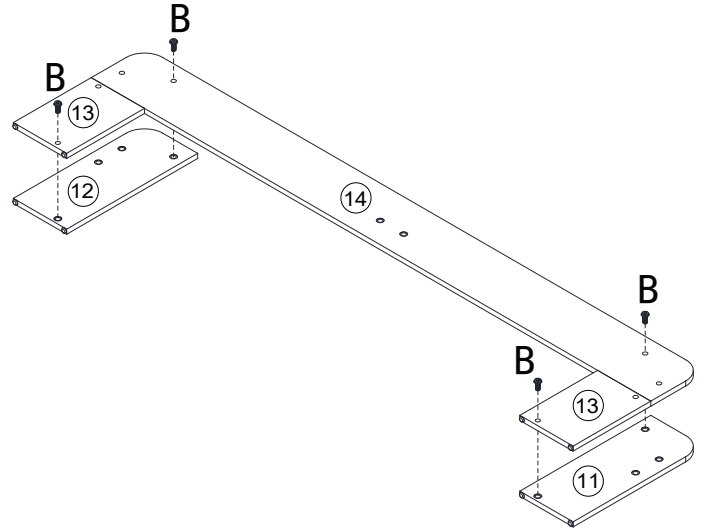


Note the orientation of the slot



D		16pcs
	M8x30	

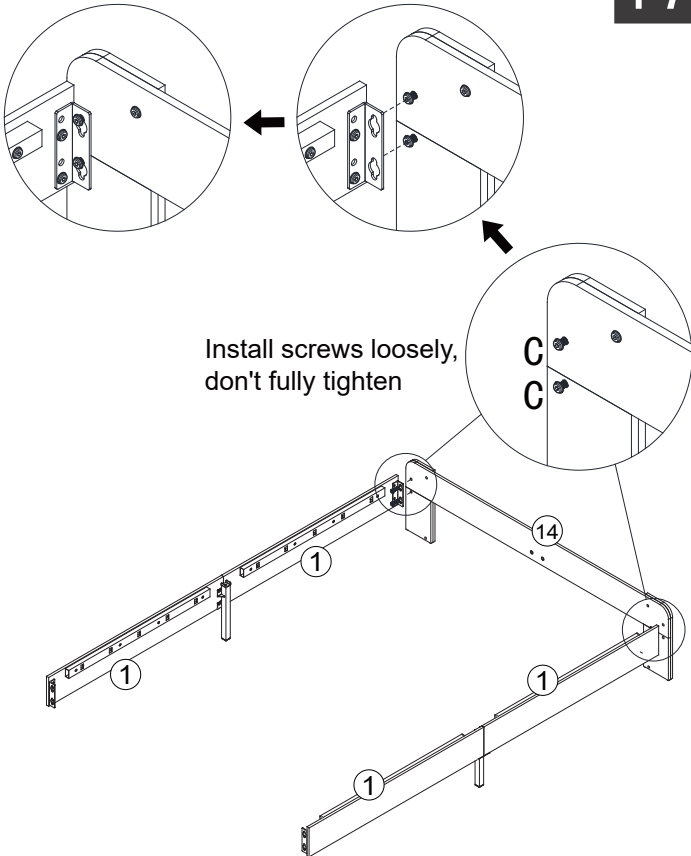
16




B		4pcs
	M8x20	

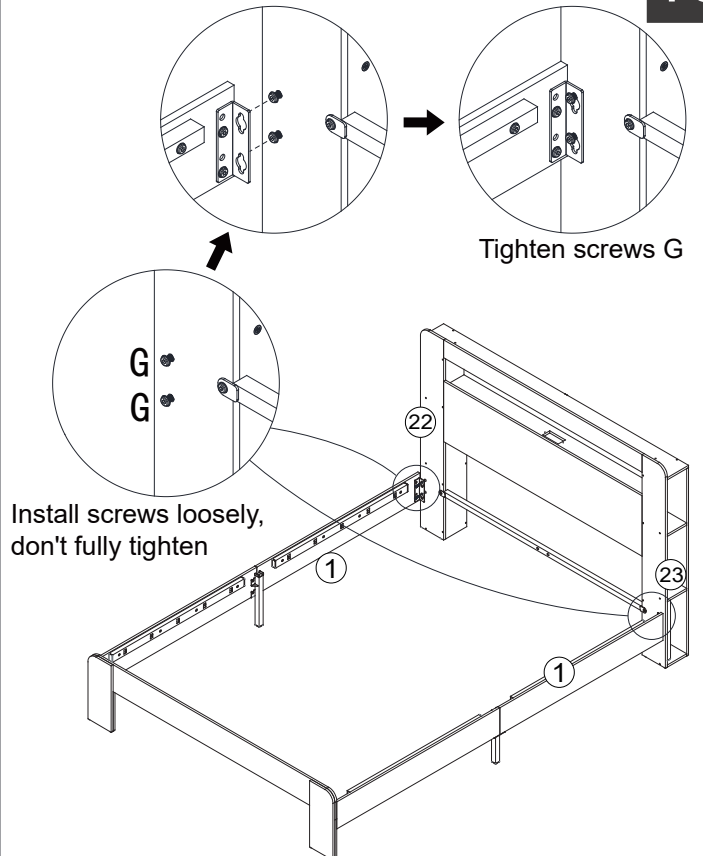
Tighten screws C


17



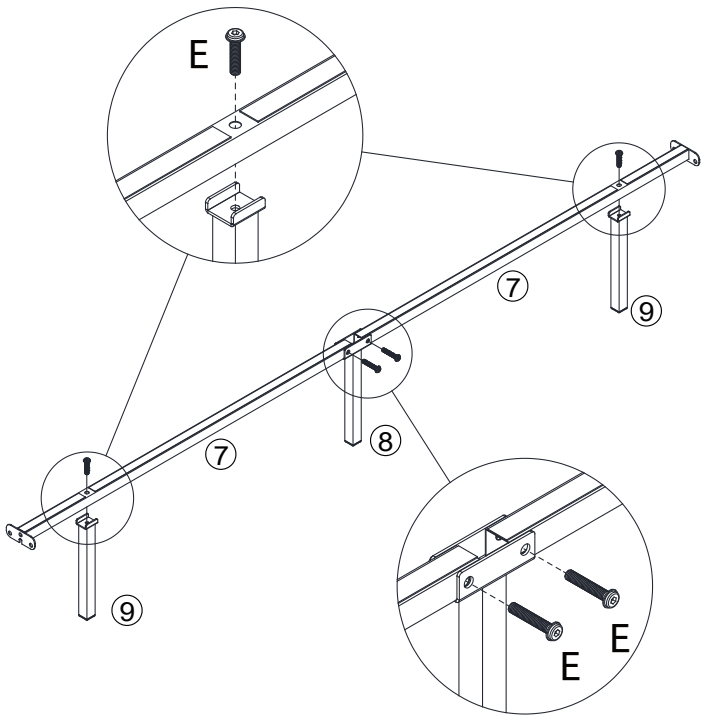
C		4pcs	white zinc
	M8x25		

18



G		4pcs
	M8x60	

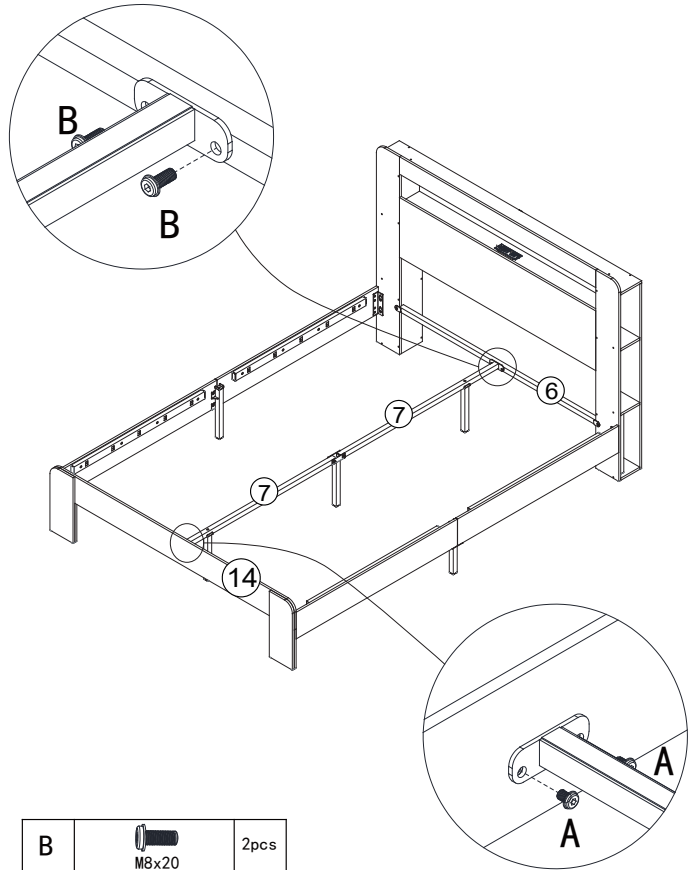
19





E		4pcs
	M8x40	

20

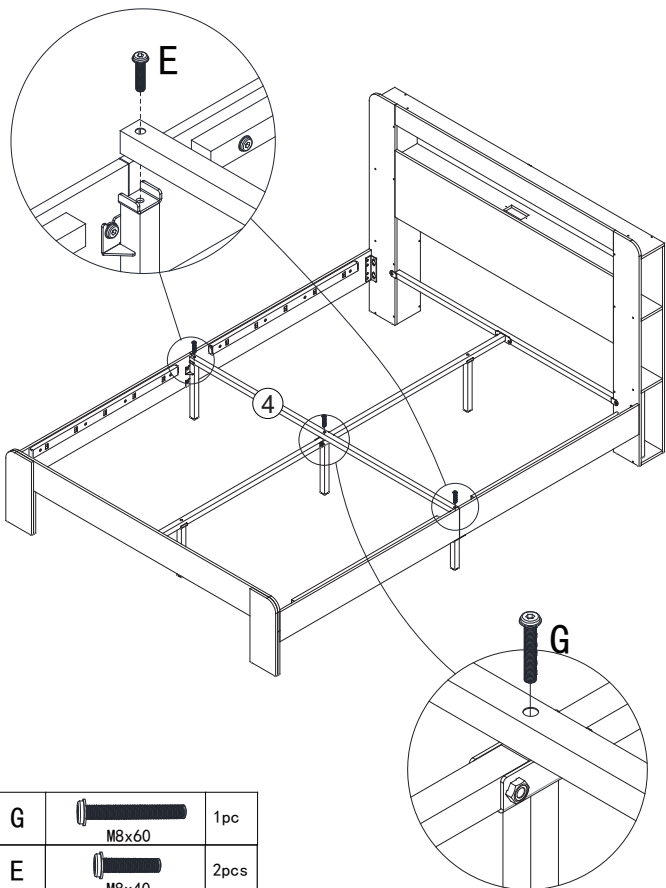
Assemble second





B		2pcs
	M8x20	
A		2pcs
	M8x12	

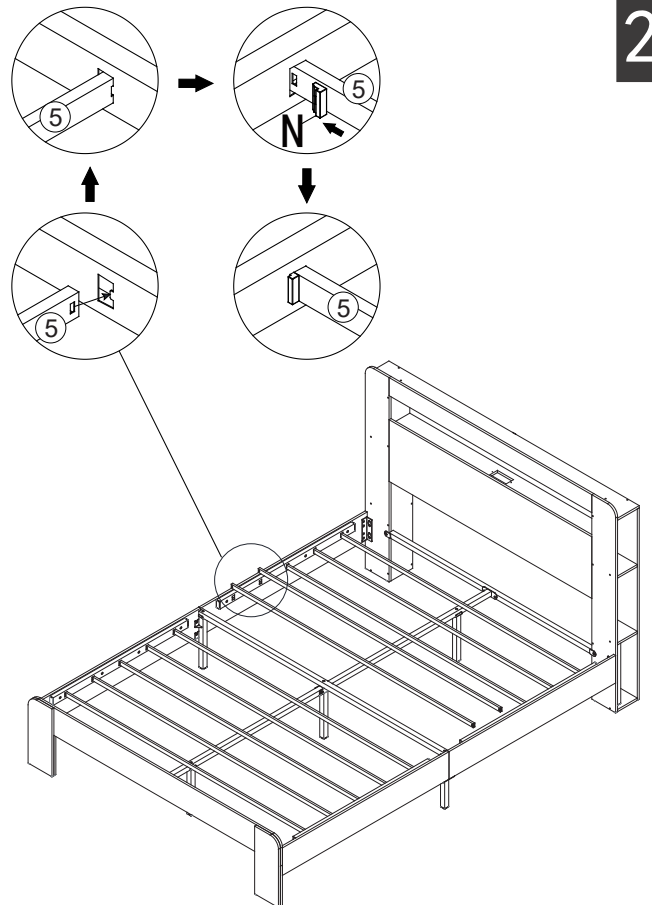
to Assemble first

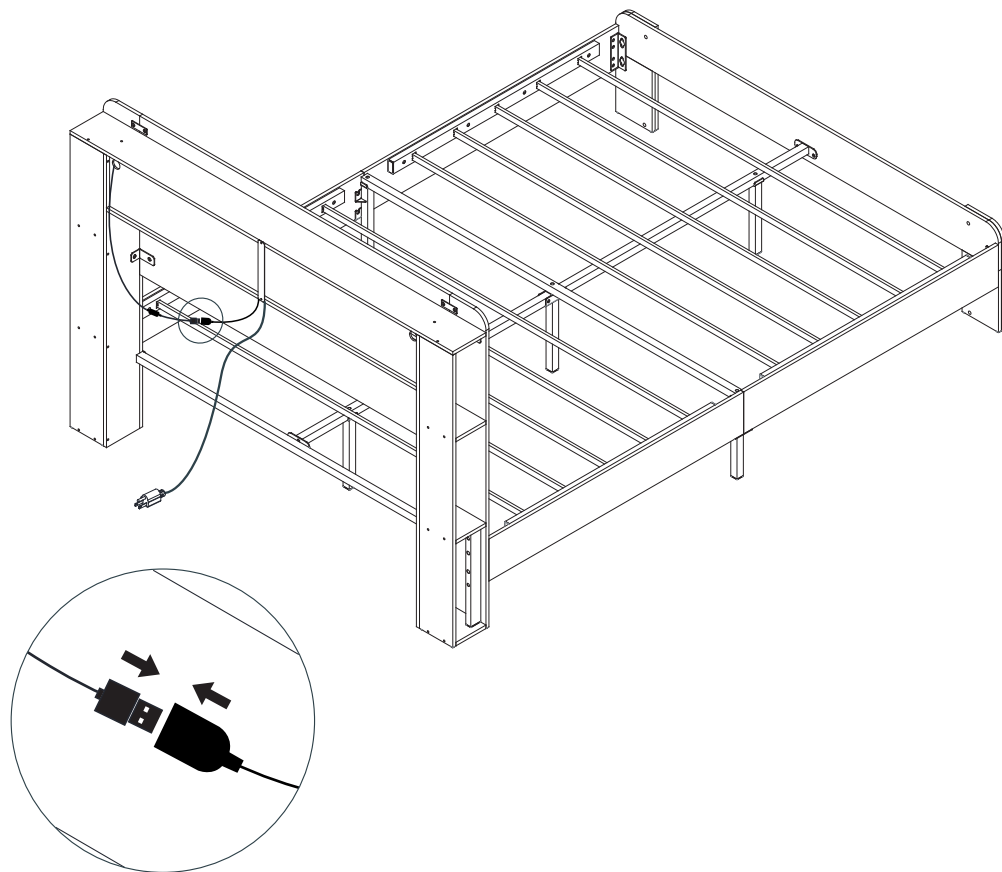
21



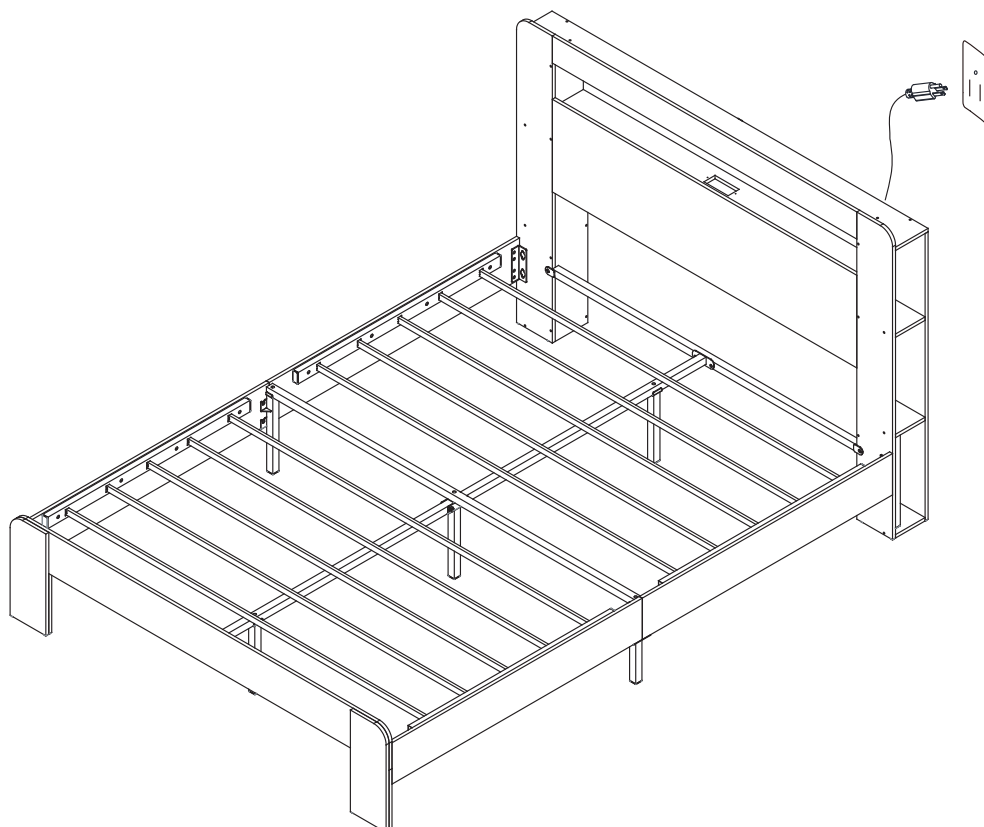
G		1pc
	M8x60	
E		2pcs
	M8x40	

22





# Finish



Note: Now you can tighten all the bolts.