

NOTICE

*Please make sure that you have all part indicated and they are in good condition before you begin assembly of this item. Refer to part list and hardware list below for guidance.

*This item should be assembled on a soft surface to prevent scratching the finish during assembly.

*This item may require periodic tightening.

*If you are having difficulty, our friendly Customer Care team is always here to help.

PREPARATION

*Before beginning assembly of product, make sure all part are present. Compare part with part contents list and hardware contents list.

*If any part is missing or damaged, do not attempt to assemble the product.

*Estimated Assembly Time: 60 minutes.

*Tools Required for Assembly (included): Allen Key

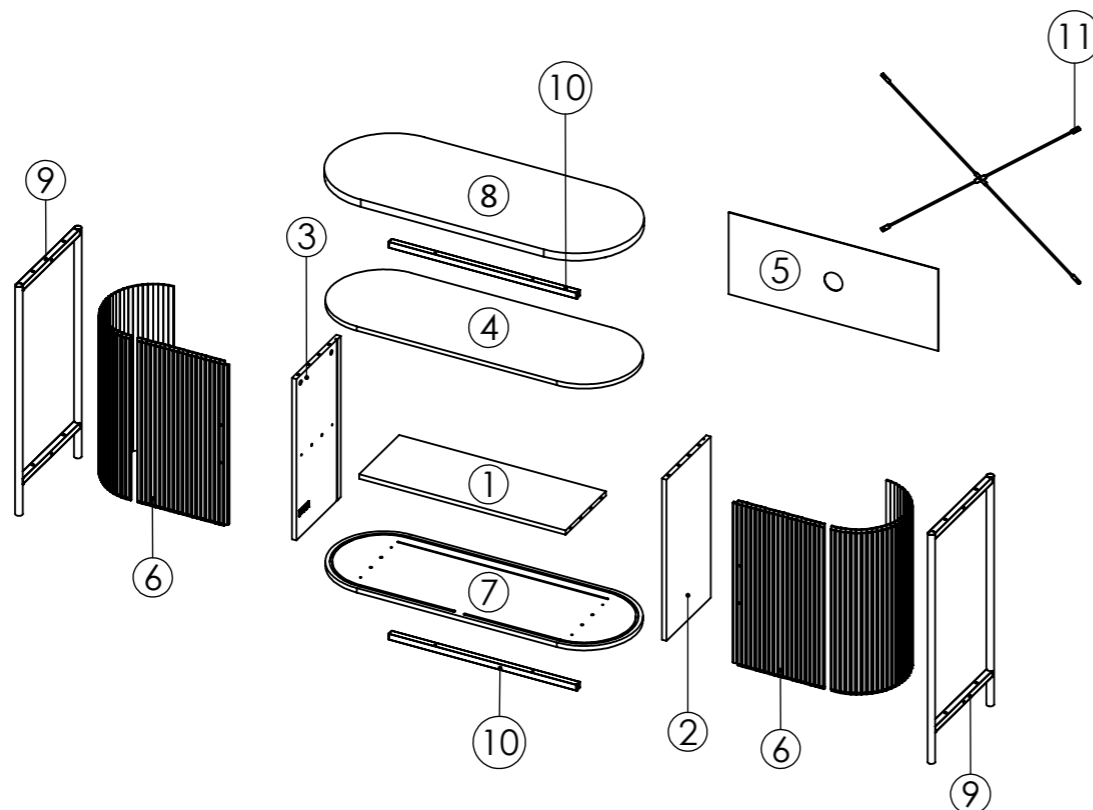
CARE AND MAINTENANCE

Adhesive felt pads should always be applied to areas of furniture which make direct contact with flooring, said application will prevent damage to the furniture and or surfaces on which the furniture lies.

Objects placed on articles of furniture should rest on non abrasive material as to prevent damage to the wood finish. Objects whose composition consists of plastic and rubber are known to discolor and damage the wood surfaces on which they rest. Wipe up spills immediately and avoid common hazards such as hot dishes, harsh solvents and abrasives. Cleaning should be done with a soft lint free cotton cloth dampened with water or furniture polish. On highly used surfaces we recommend applying a quality paste wax which should be used on a regular basis to provide additional protection from scratches and spills.

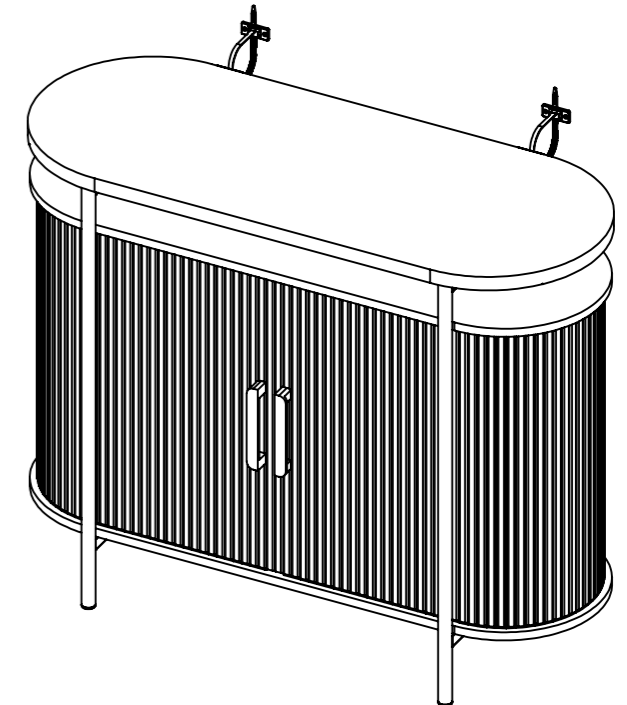
How often you apply the wax depends on how much wear the furniture receives

Part List



OWNER MANUAL

Product Dimensions: W 39.37" x D 15.75" x H 31.69"




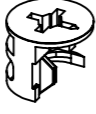




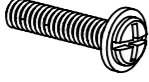
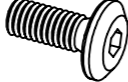
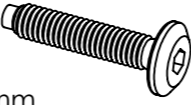
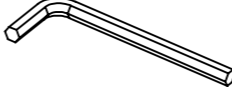


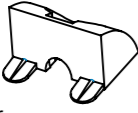
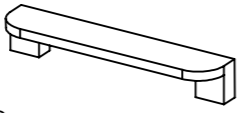
! WARNING


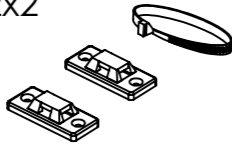


This product is intended for use with a
FLAT SCREEN TV ONLY
Maximum Screen Size: 50 inches
Top Weight Limit: 43 lbs
Shelf Load Limit: 18 lbs
Use with heavier televisions may result in
instability causing tip over resulting in death
or Serious injury.

! WARNING

Death or serious injury may occur
when children climb on audio
and/or video equipment furniture.
A remote control or toys placed on
the furnishing may encourage a
child to climb on the furnishing and
as a result the furnishing may tip
over on to the child

Hardware List

<p>HW1x8</p>  <p>Ø6X32 mm</p>	<p>HW2x8</p>  <p>Ø15X12 mm</p>	<p>HW3x12</p>  <p>Ø8X32 mm</p>	<p>HW4x4</p>  <p>Ø6X50 mm</p>	<p>HW5x4</p>  <p>Ø7X32 mm</p>	<p>HW7x12</p>  <p>Ø4x19 mm</p>
<p>HW8x4</p>  <p>bolt Ø4X19 mm</p>	<p>HW9x4</p>  <p>Ø6X15 mm</p>	<p>HW10x12</p>  <p>Ø6X30 mm</p>	<p>HW11x1</p>  <p>Allen Key</p>	<p>HW13x8</p>  <p>Cover Cap Sticker</p>	<p>HW14x1</p>  <p>List "H"</p>
<p>HW15x12</p>  <p>Plastic Stopper</p>	<p>HW16x2</p>  <p>Handle</p>				

Anti-Tip Restrain Pack	
<p>HW6x4</p>  <p>Ø6X15 mm</p>	<p>HW12x2</p>  <p>Anti-tip</p>
<p>HW17x4</p>  <p>Ø8x35 PLUG</p>	<p>HW18x4</p>  <p>Ø10x50 mm</p>

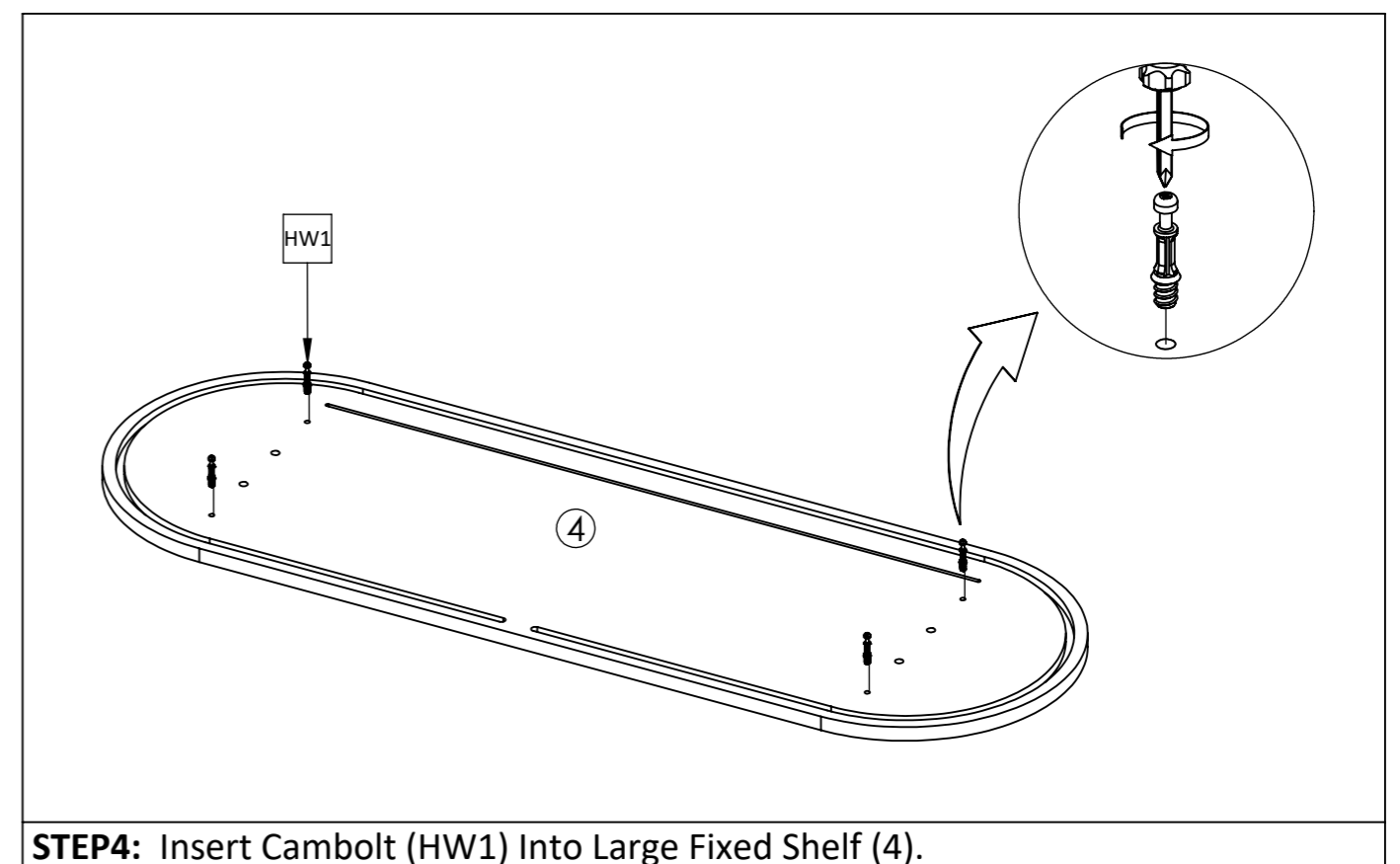
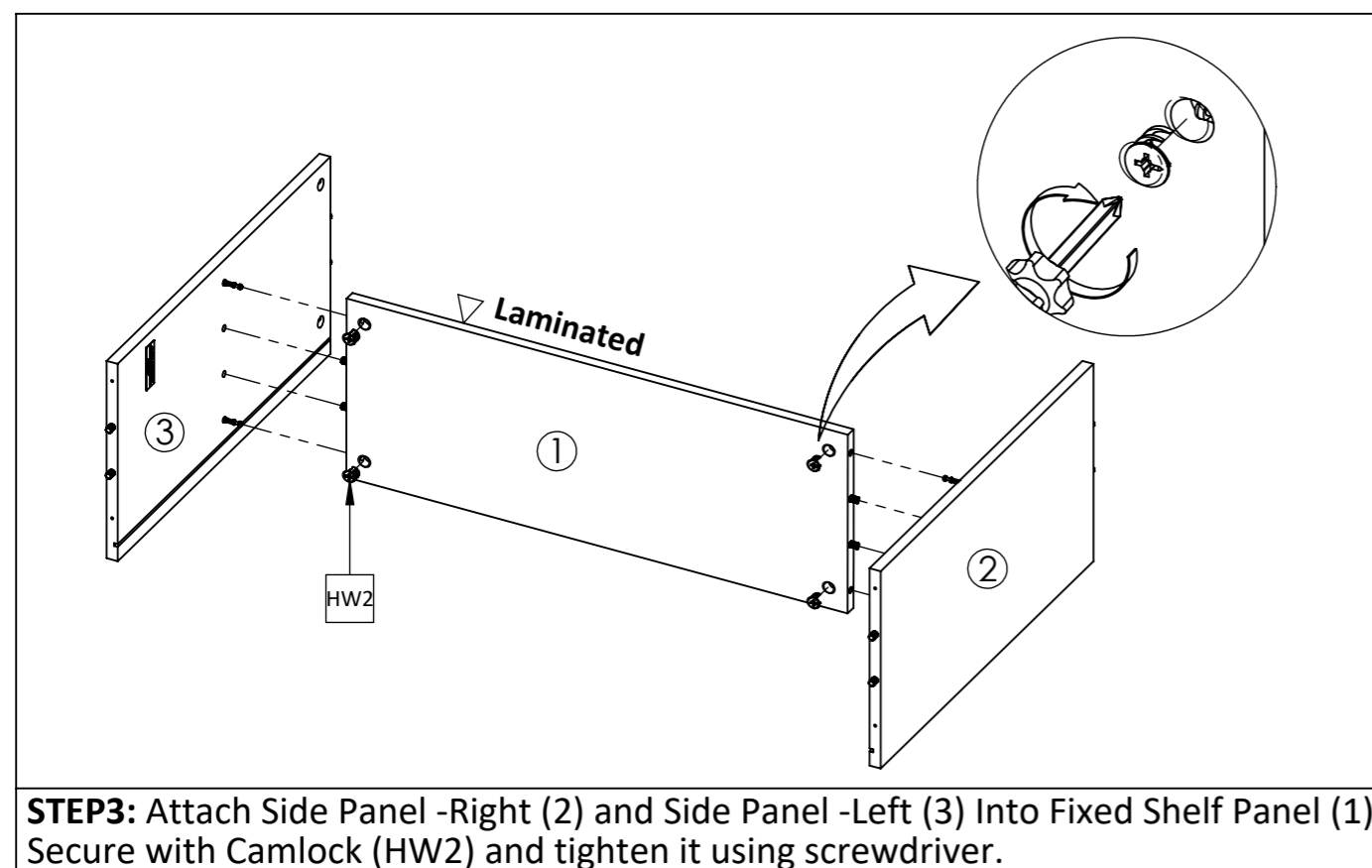
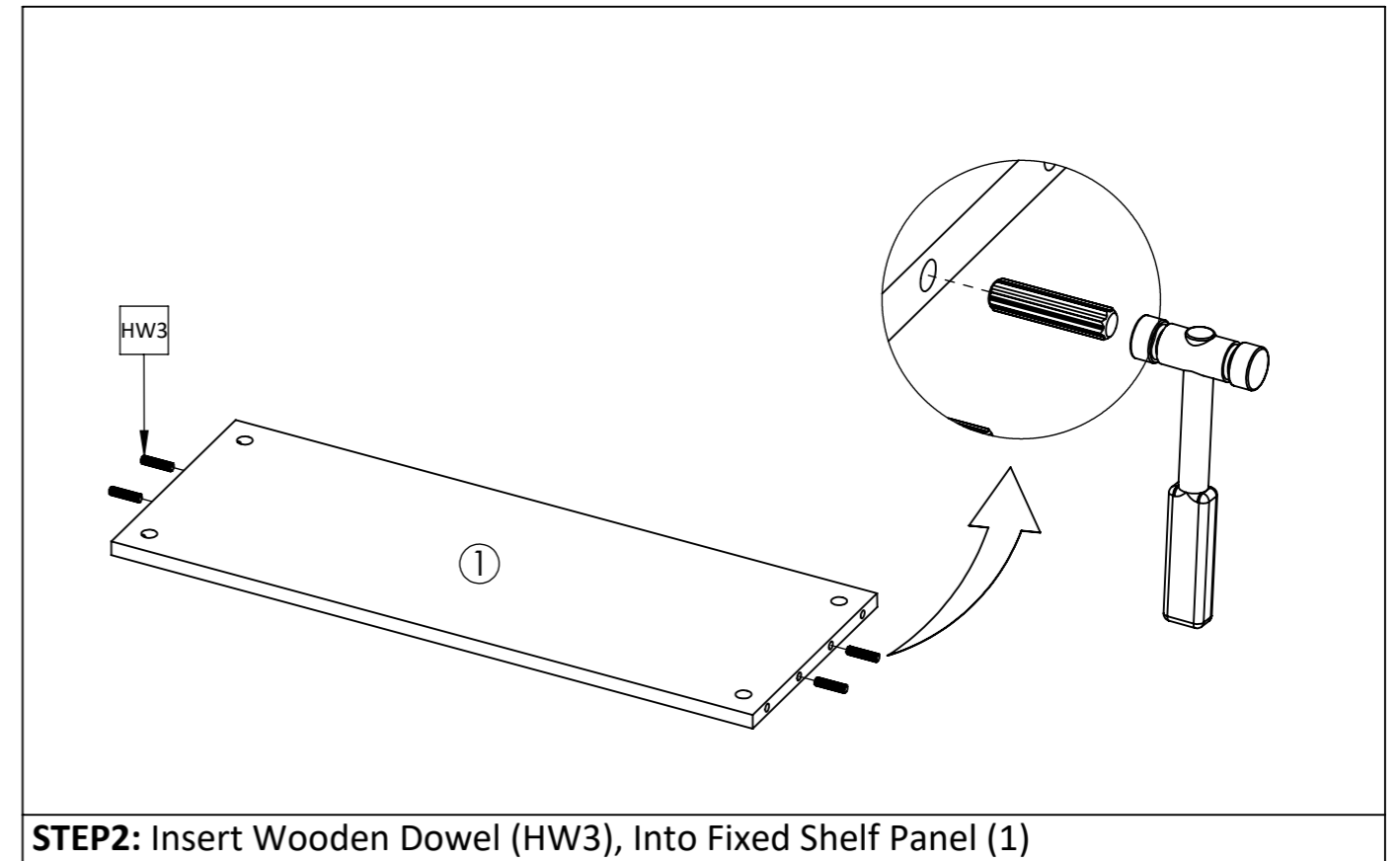
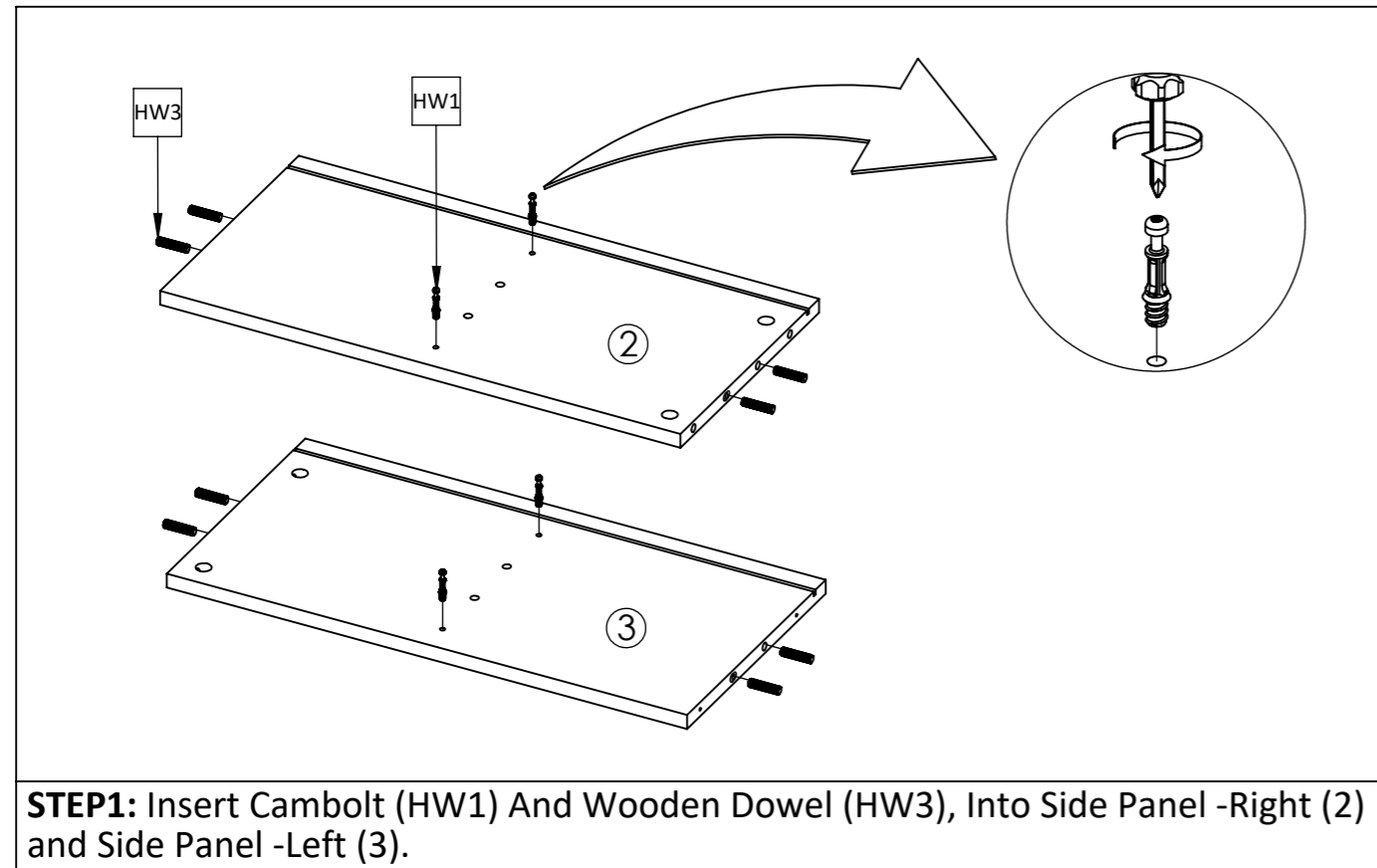
Part List & HW

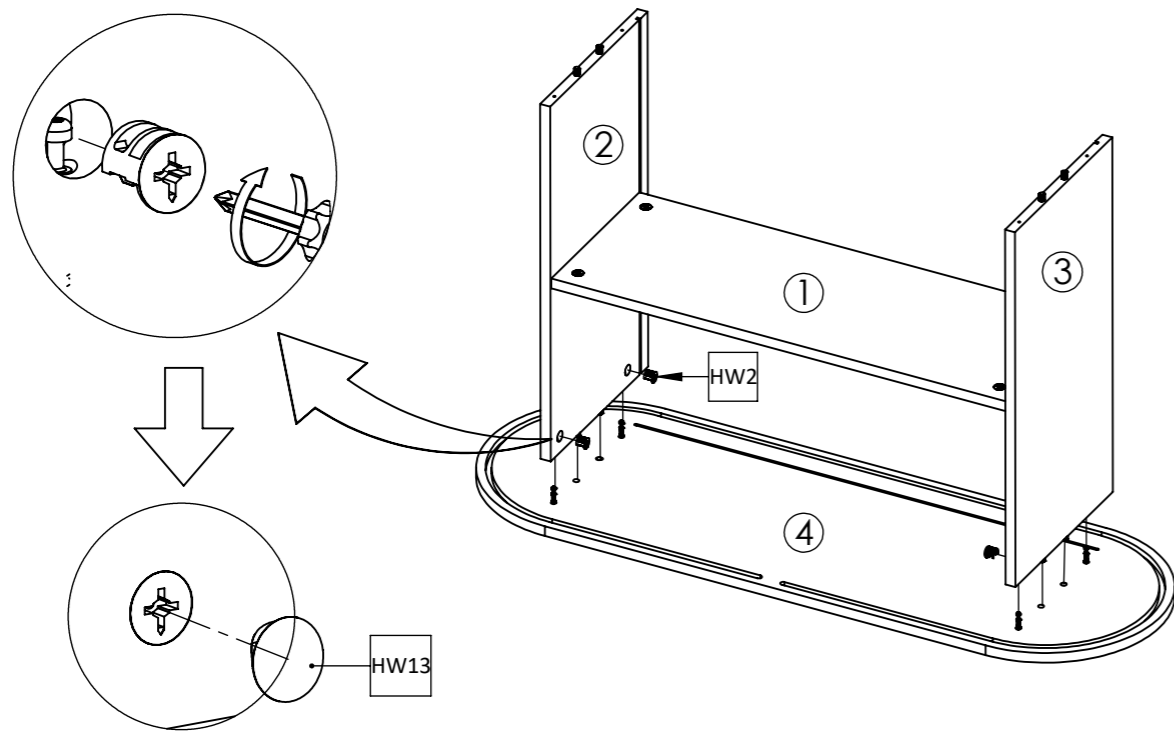
Piece	Description	Qty	Carton Call
1	Fixed Shelf Panel	1	1 of 1
2	Side Panel -Right	1	1 of 1
3	Side Panel -Left	1	1 of 1
4	Large Fixed Shelf	1	1 of 1
5	Back Panel	2	1 of 1
6	Door Panel	2	1 of 1
7	Bottom Panel	1	1 of 1
8	Top Panel	1	1 of 1
9	Frame Leg Left-Right	2	1 of 1
10	Frame Support Upper-Lower	2	1 of 1
11	Frame Bracing	1	1 of 1

Piece	Description	Qty	Carton Call
HW1	Cambolt	8	1 of 1
HW2	Camlock	8	1 of 1
HW3	Wooden Dowel	12	1 of 1
HW4	Screw M6 x 50 mm	4	1 of 1
HW5	Screw M7 x 32 mm	4	1 of 1
HW6	Screw M6 x 15 mm	4	1 of 1
HW7	Screw M4 x 19 mm	12	1 of 1
HW8	Bolt M4 x 19 mm	4	1 of 1
HW9	Bolt M6 x 15 mm	4	1 of 1
HW10	Bolt M6 x 30 mm	12	1 of 1
HW11	Allen Key	1	1 of 1
HW12	Anti-Tip	2	1 of 1
HW13	Cover Cap Sticker	8	1 of 1
HW14	List "H"	1	1 of 1
HW15	Plastic Setopper	12	1 of 1
HW16	Handle	2	1 of 1
HW17	Ø8 x 35 mm PLUG	4	1 of 1
HW18	Screw M10 X 50 mm	4	1 of 1

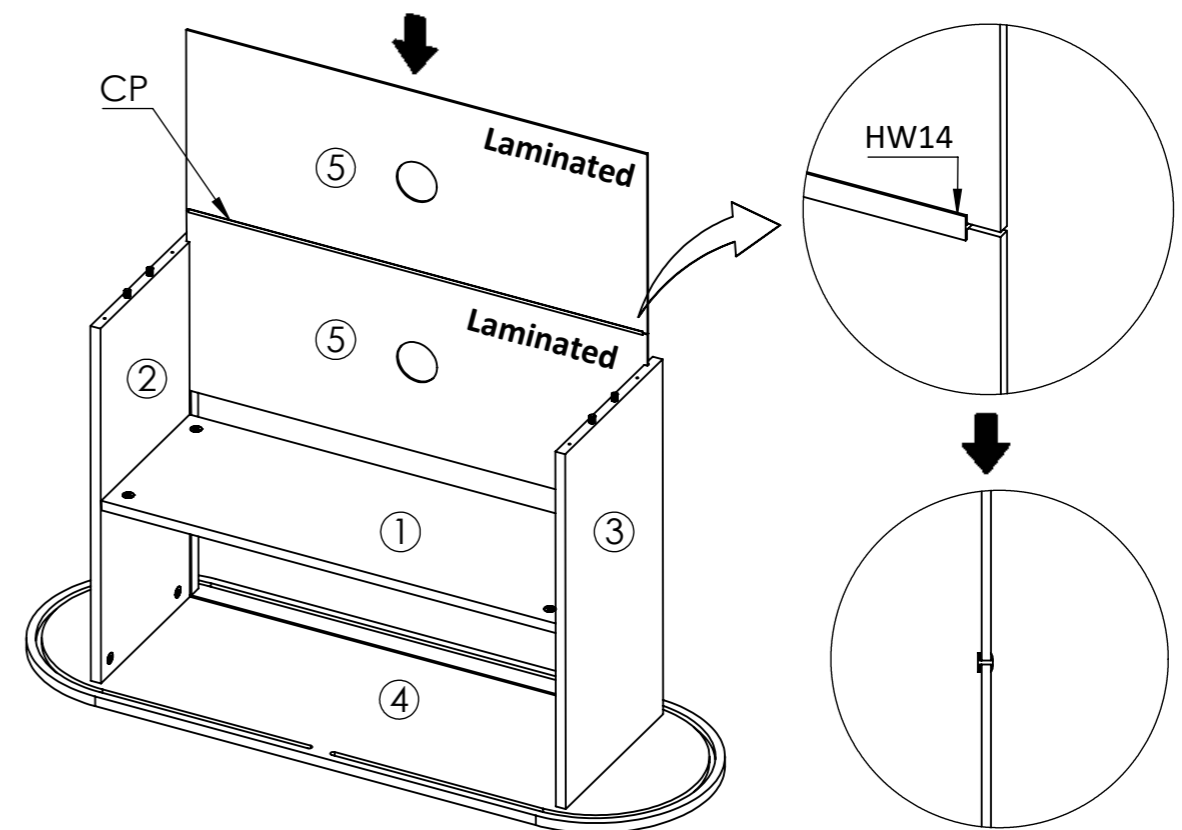
PREPARATION

Before beginning assembly of product, make sure all part are present. Compare part with part contents list and hardware contents list.
If any part is missing or damaged, do not attempt to assemble the product.
Estimated Assembly Time: 60 minutes.

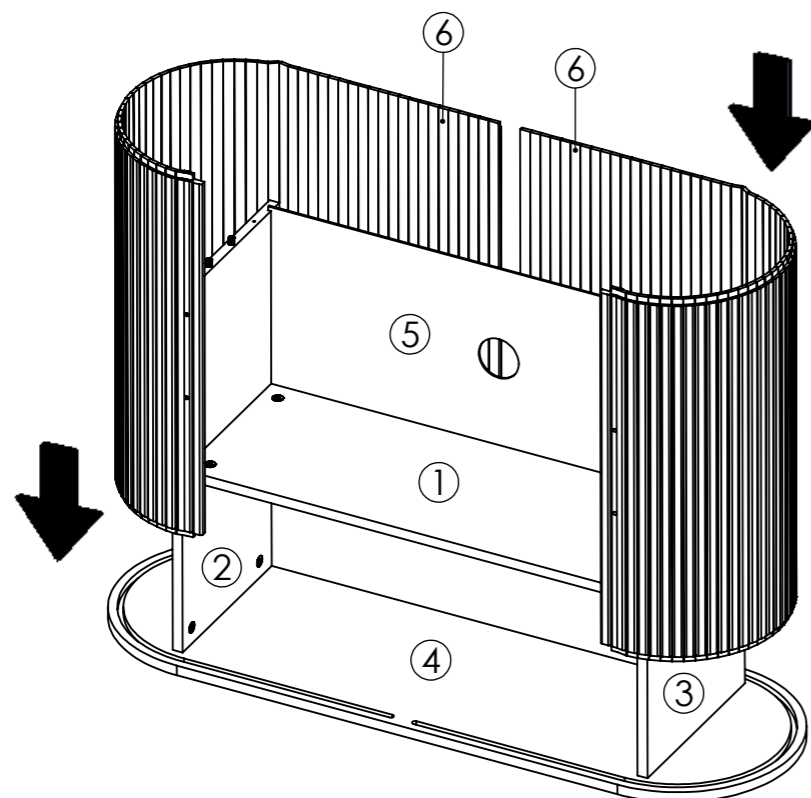




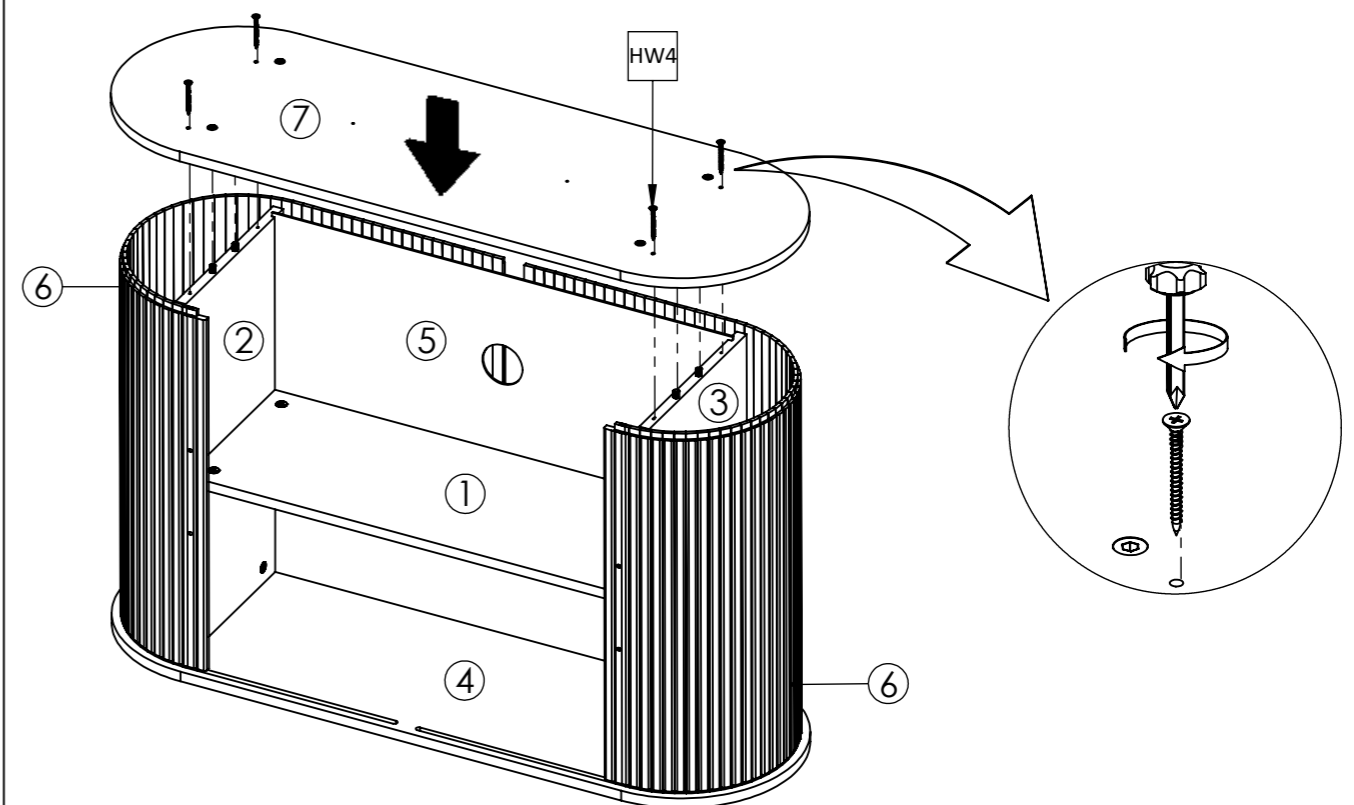
STEP5: Attach Side Panel -Right (2) & Side Panel -Left (3) Into Large Fixed Shelf (4), Secure with Camlock (HW2) tighten it using screwdriver, Continue to attach the cover cap sticker (HW13) to the panel that has lamination.



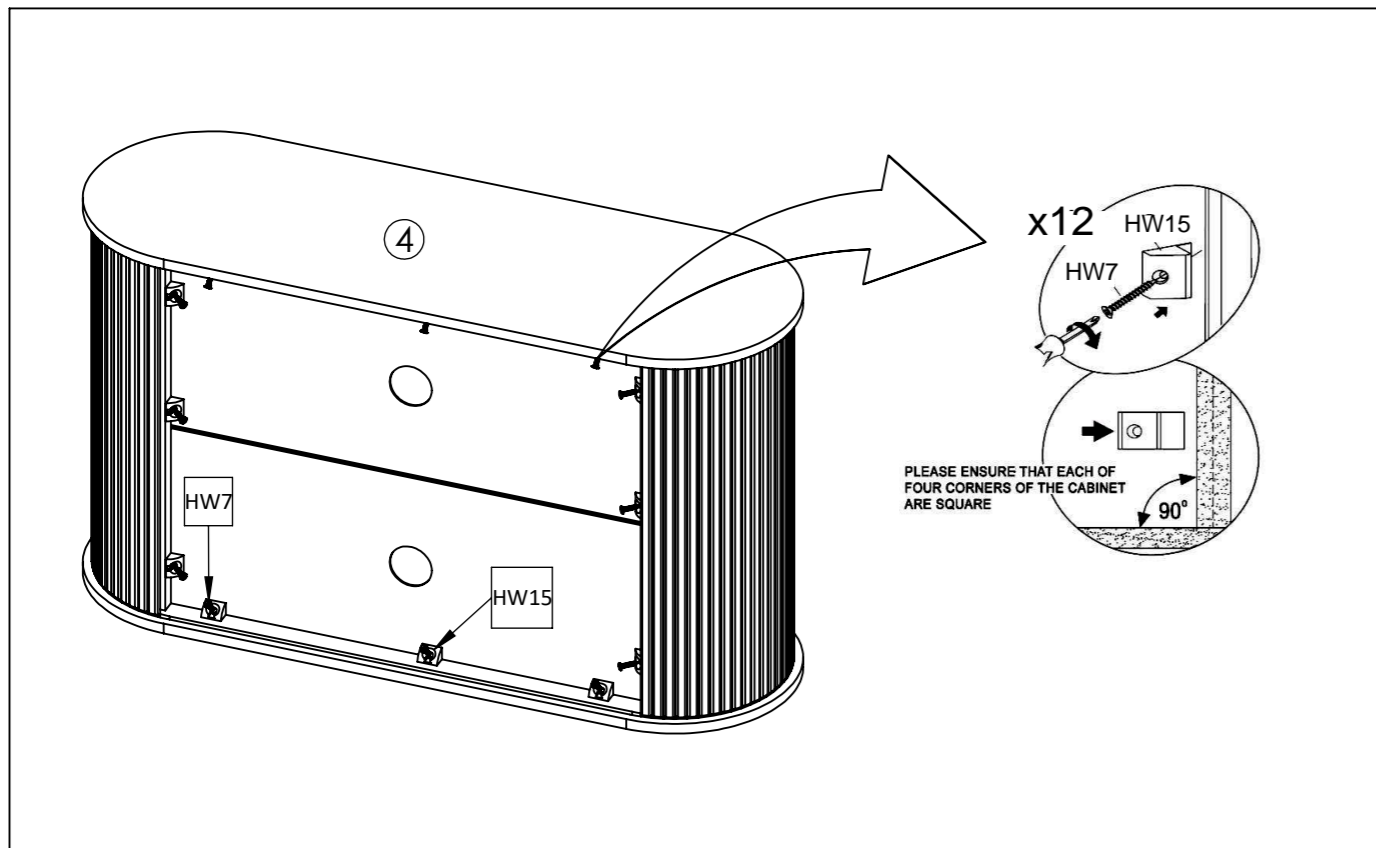
STEP6: Insert Back Panel (5) and List "H" (HW14)



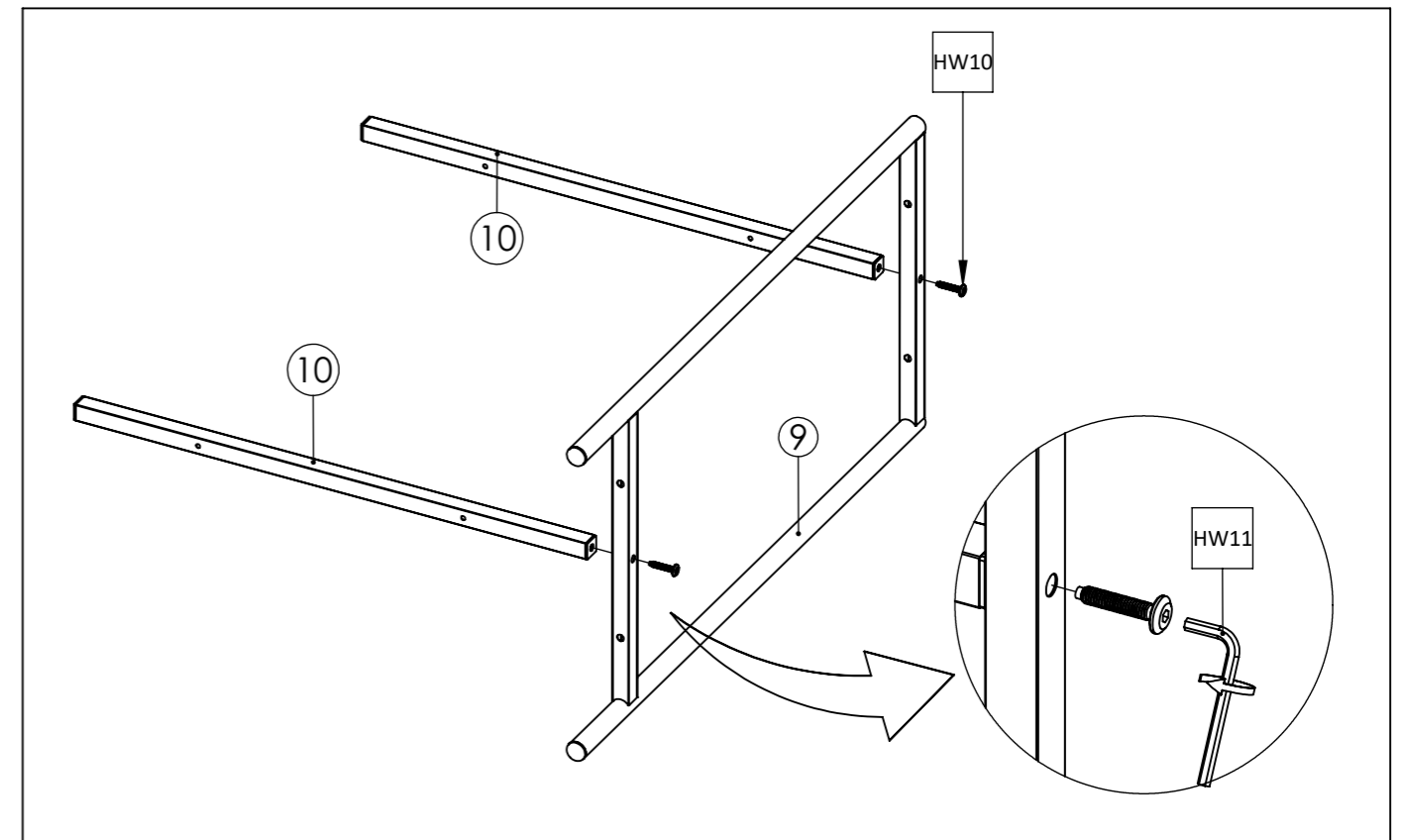
STEP7: Attach Door Panel (6) Into Top Panel (4).



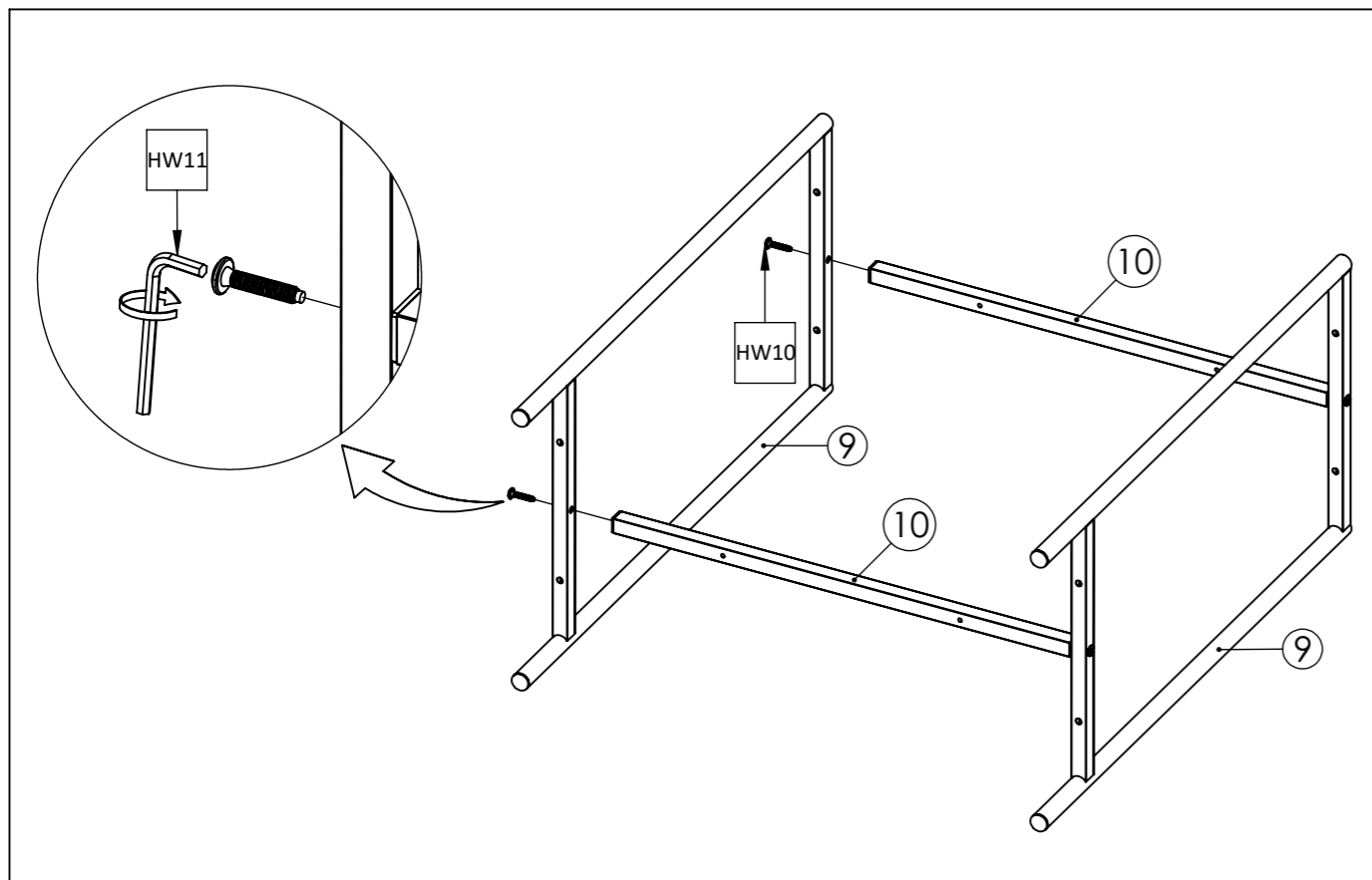
STEP8: Attach Bottom Panel (7). Into Side Panel -Right (2) and Side Panel -Left (3), Secure with Screw M6x50 mm (HW4) tighten it using screwdriver.



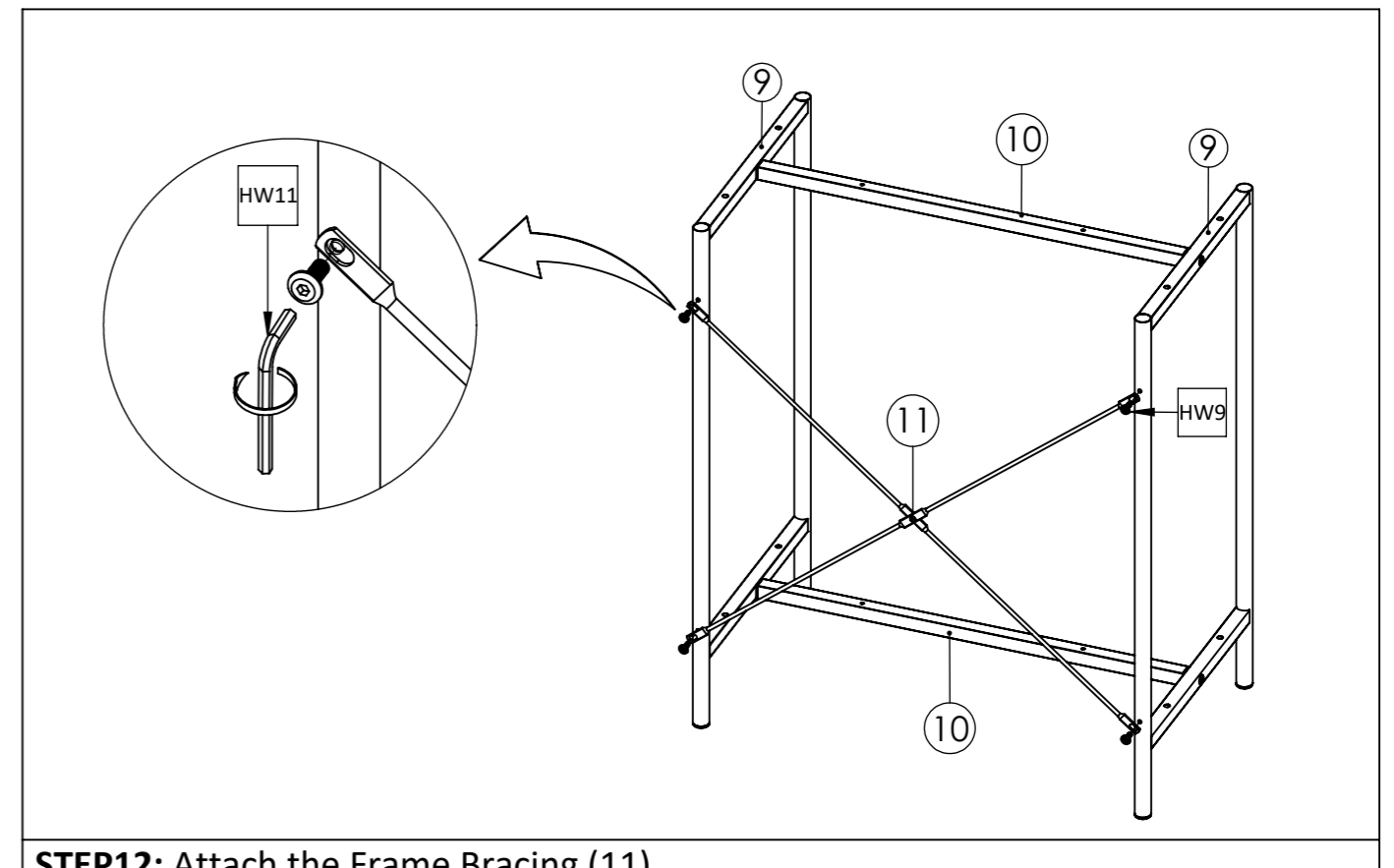
STEP9: Attach the plastic stopper (HW15) to the back panel Secure with screw M4x19 mm (HW7) and tighten it using screwdriver.



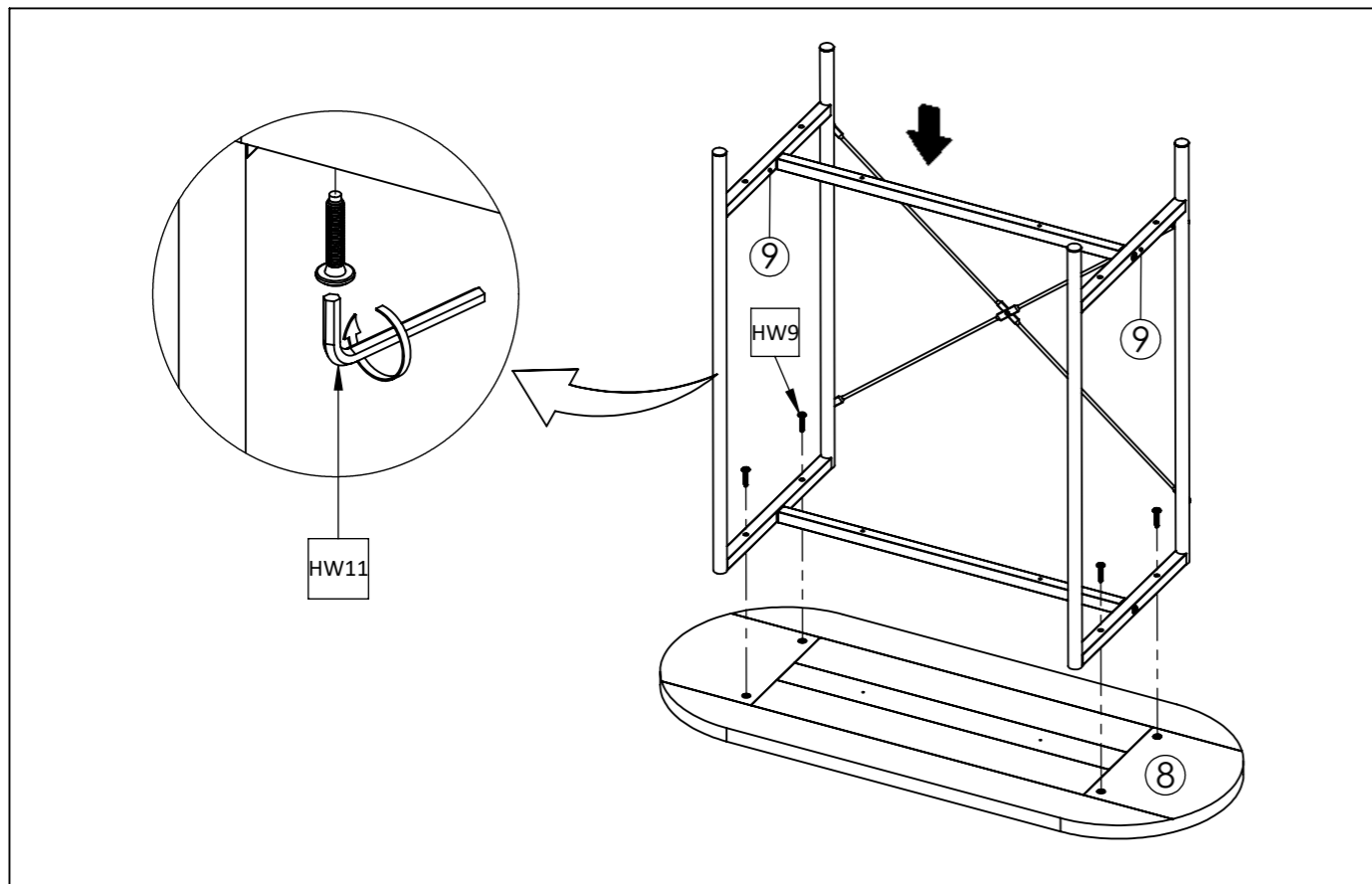
STEP10: Attach Frame Support Upper-Lower (10) Into Frame Leg Left- Right (9) Secure with JCBC Bolt M6 x 30 mm (HW10) and tighten it using Allen Key (HW11).



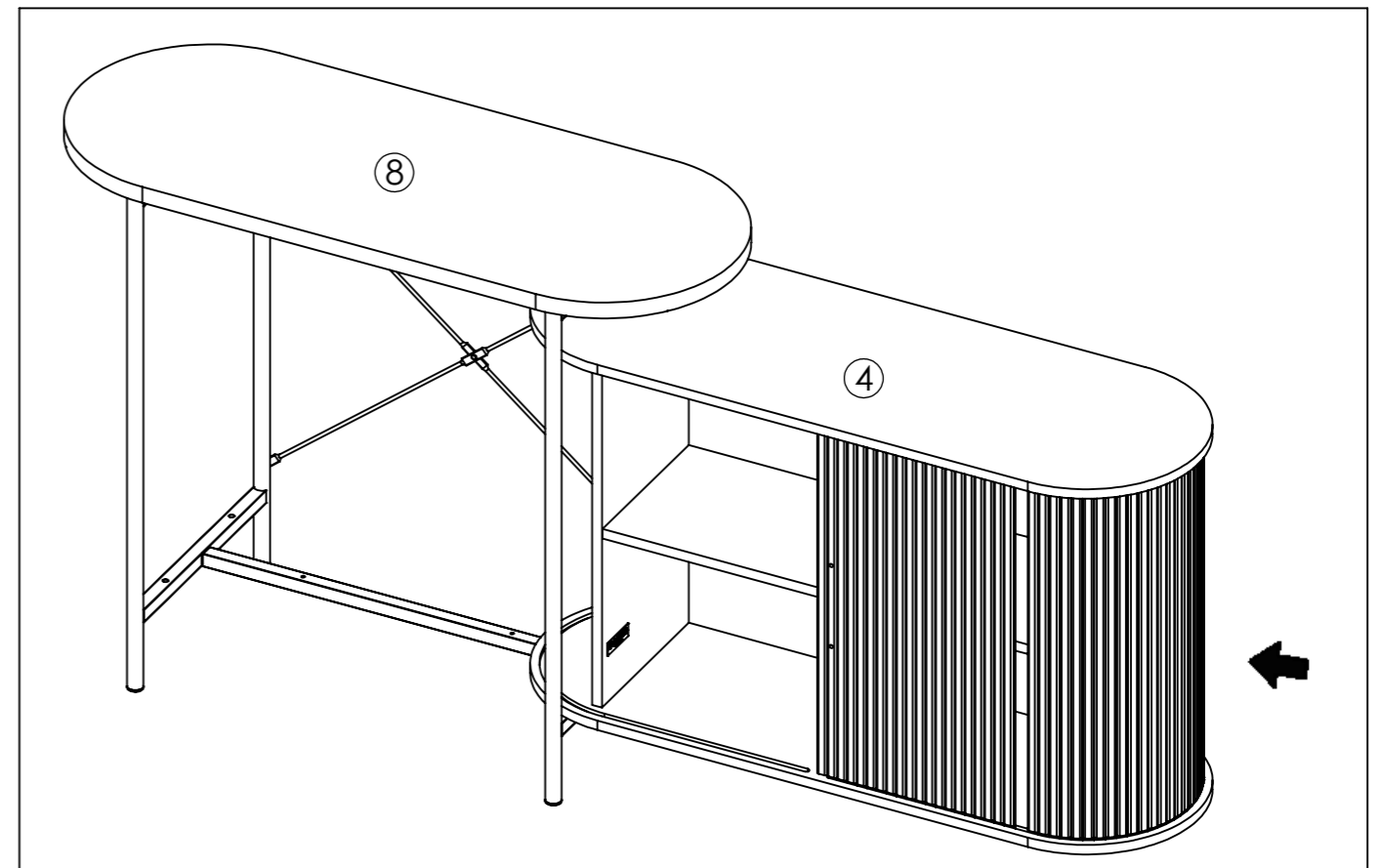
STEP11: Attach Frame Leg Left-Right (9) Into Frame Support Upper-Lower (10) Secure with JCBC Bolt M6 x 30 mm (HW10) and tighten it using Allen Key (W).



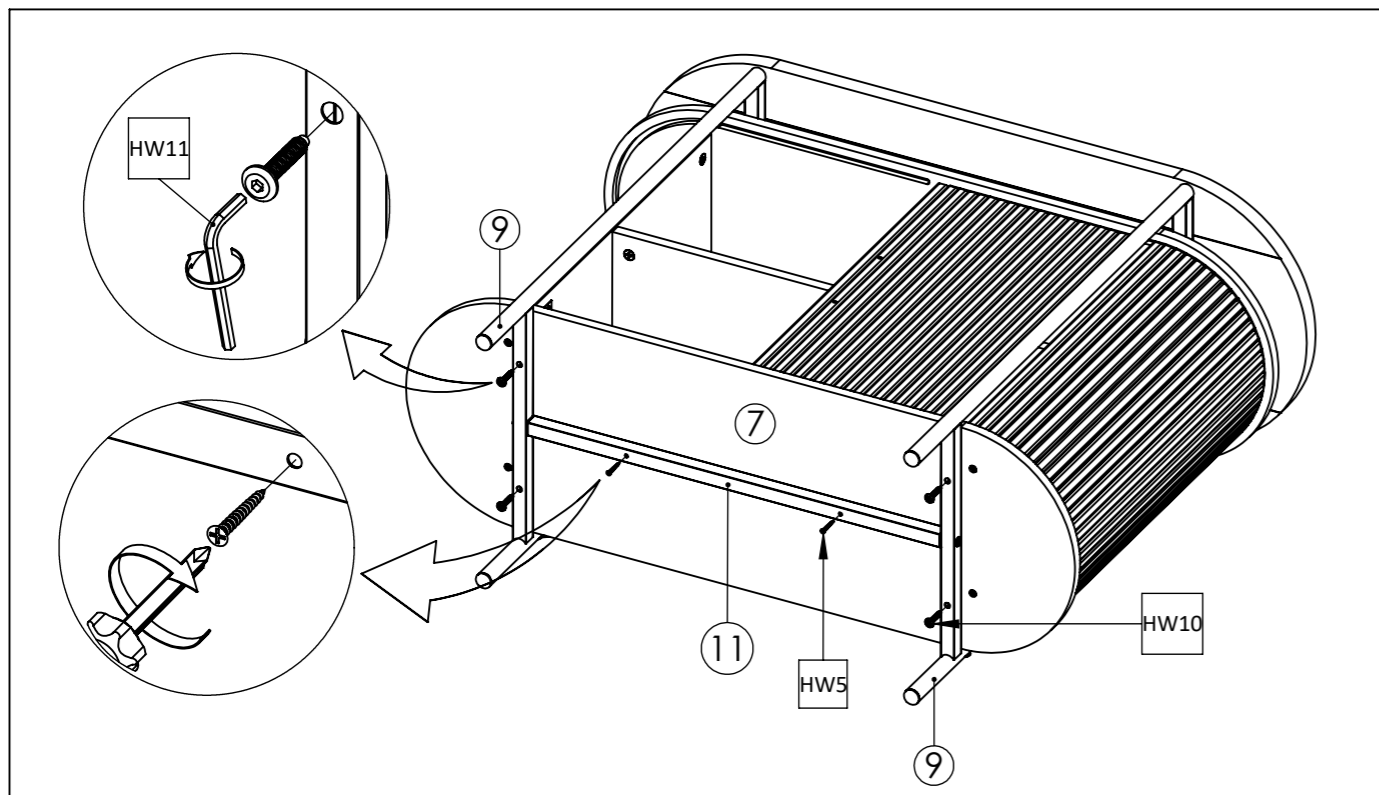
STEP12: Attach the Frame Bracing (11) to the Frame Leg Secure with JCBC Bolt M6 x 15mm (HW9) and tighten it using Allen Key.



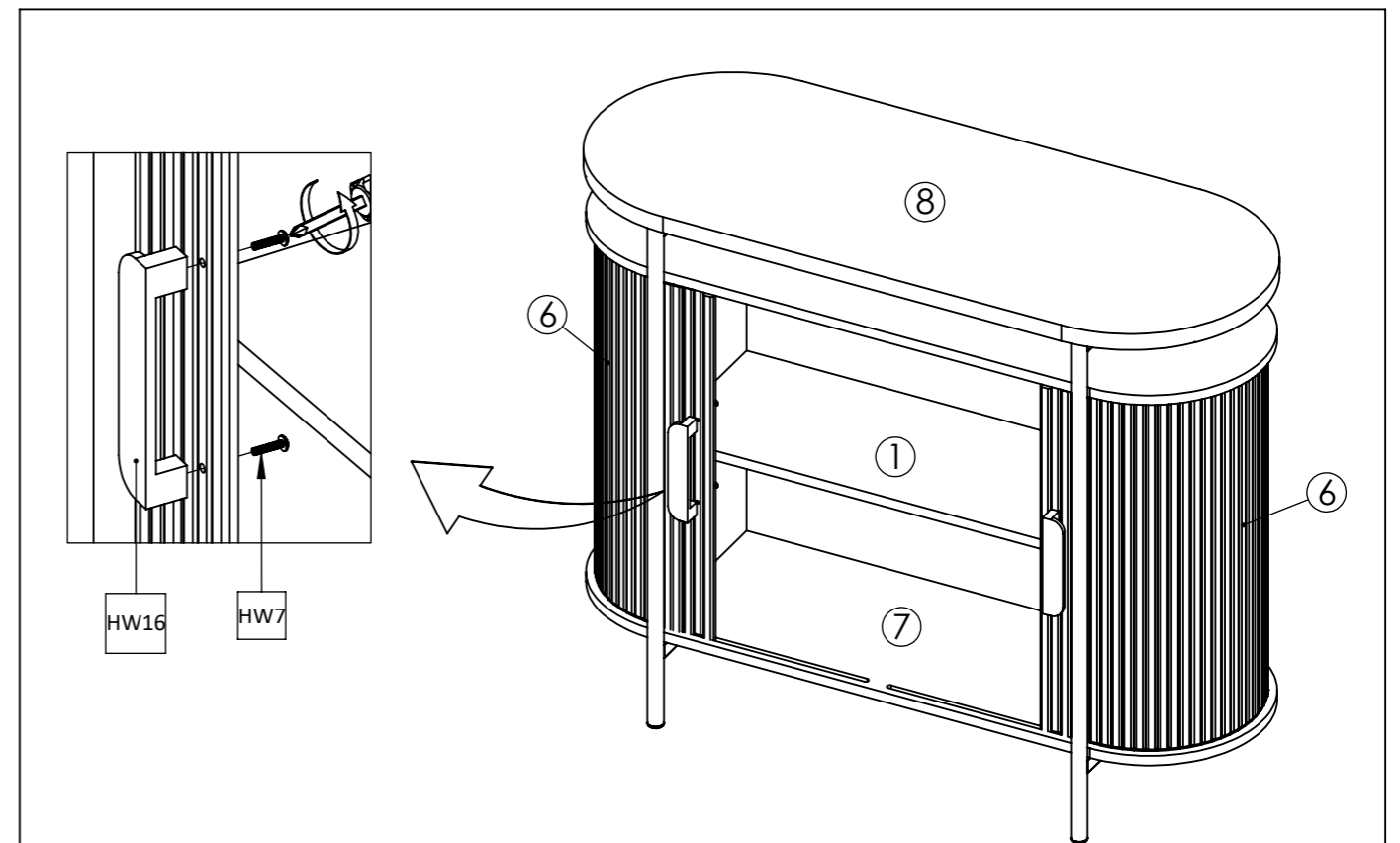
STEP13: Attach Top Panel (8) Into Frame Leg Left-Right (9) Secure with JCBC Bolt M6 x 30 mm (HW9) tighten it using Allen Key (HW11).



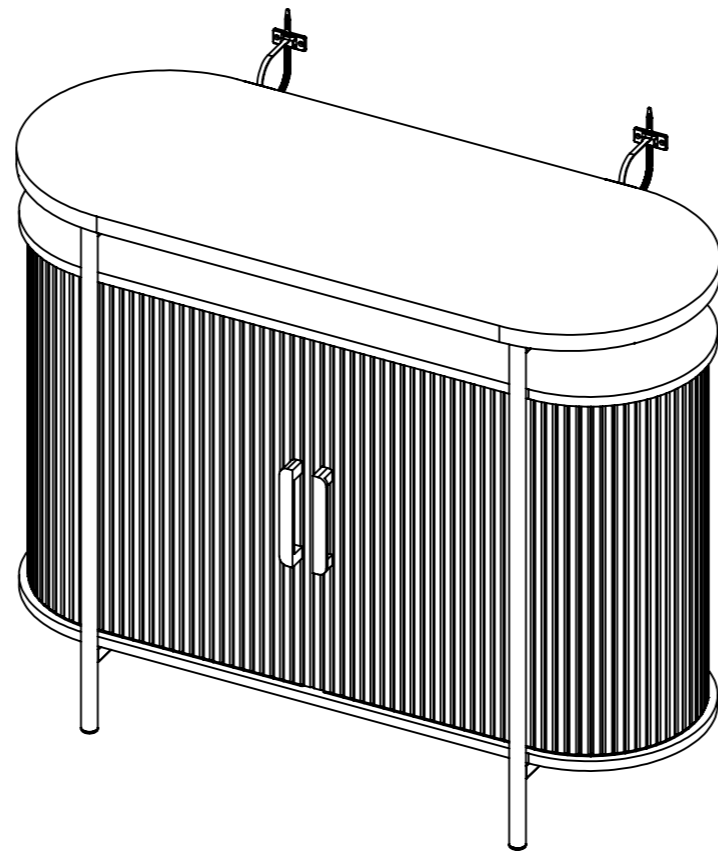
STEP14: Insert Box Cabinet Into Frame Metal.



STEP15: Box Cabinet And Frame Metal Secure with Screw M7 x 32 mm (HW5) tighten it using screwdriver.
Box Cabinet And Frame Metal Secure with JCBC Bolt M6 x 30 mm (HW10) tighten it using Allen Key (HW11).



STEP16: Attach Handle (HW16) Into Door Panel (6) Secure with Bolt M4 x 19 mm (HW7) tighten it using screwdriver.



STEP17: Assembly is complete

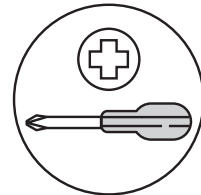
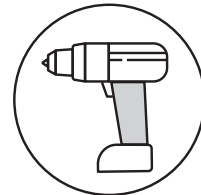


ANTI-TIP RESTRAINT INSTALLATION

! WARNING!

Children have died from furniture tipover.
To reduce the risk of furniture tipover:

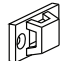




- ALWAYS install tipover restraint provided.
- NEVER allow children to stand, climb or hang on drawers, doors, or shelves.
- NEVER open more than one drawer at a time.
- Place heaviest items in the lower drawers.

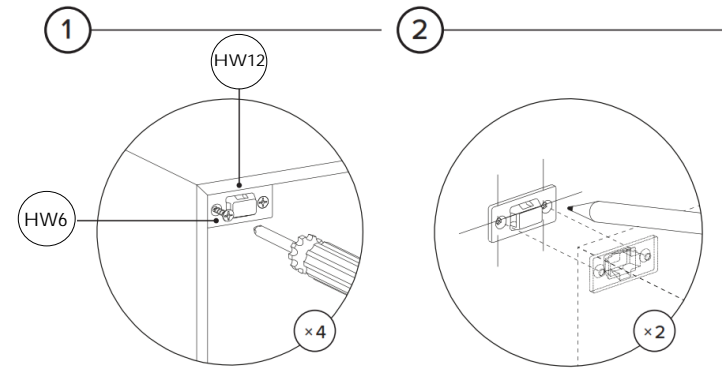


REQUIRED TOOL
8MM / 5/16" DRILL BIT

REQUIRED TOOL

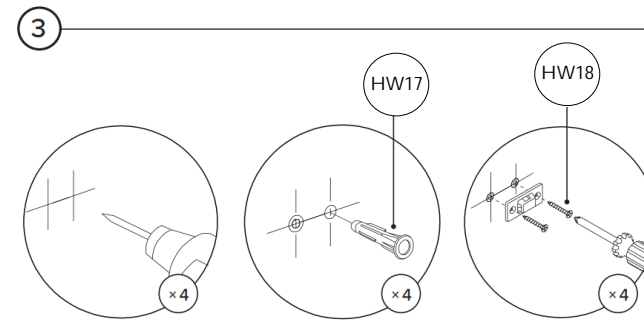
! Hardware (HW17/HW18) to attach brackets to wall is designed for drywall. To attach this unit to another type of wall, consult with your local hardware store.

ANTI-TIP RESTRAINT PACK			
ID	DESCRIPTION		QTY
HW12	BRACKET		4
HW6	M6 x 15MM SCREW		4
HW17	M8 x 35MM PLUG		4
HW18	M10 x 50MM SCREW		4
HW12	STRAP		2

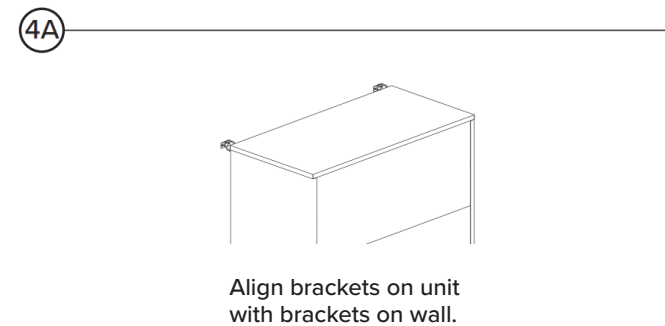


Attach pair of brackets to "Top Panel" of the unit. Note there are no existing pilot holes on the product.

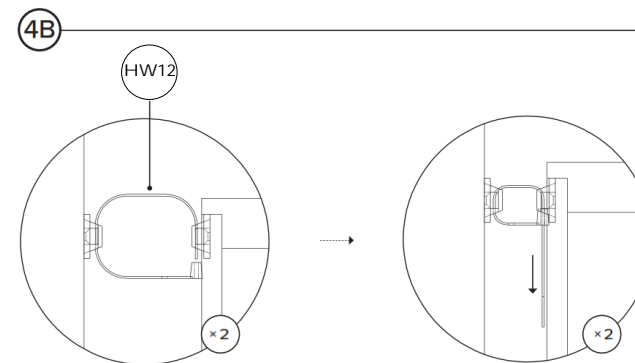
Mark on wall where second pair of brackets should be placed.



Drill holes in wall using 8mm / 5/16" drill bit.



Align brackets on unit with brackets on wall.



Pull strap down until it snap-locks.