

CARE AND MAINTENANCE

Spot clean using a mild water-free solvent. Only a professional cleaner should undertake a complete overall cleaning.

The use of steam or water-based cleaners may cause excessive shrinking or staining.





NOTICE

* Please make sure that you have all parts indicated before you begin assembly of this item

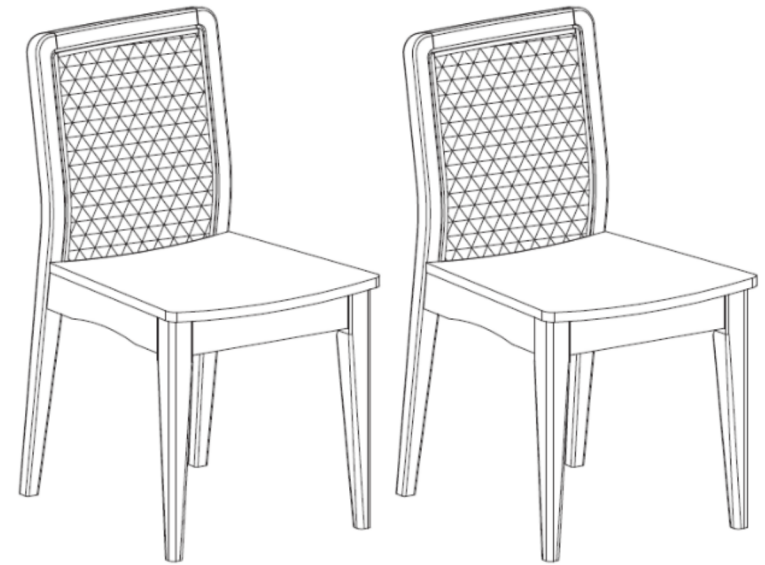
* This item should be assembled on a soft surface to prevent scratching the finish during assembly

* This item may require periodic tightening.

Part List and Hardware List

PIECE	DESCRIPTION	PICTURE	QUANTITY
A	CHAIR SEAT		2X
B	CHAIR BACK		2X
C	CHAIR LEG (L&R)		4X
HW1	BIG CROSS BOLT	M6 x 80mm 	8X
HW2	MEDIUM CROSS BOLT	M6 x 60mm 	8X
HW3	SMALL CROSS BOLT	M6 x 35mm 	4X
HW4	SPRING WASHER		20X
HW5	FLAT WASHER		20X
HW6	WOODEN DOWEL		4X
HW7	ALLEN KEY		1X

Product Dimenions: 18.8"W x 21.8" D x 33.9" H



Weight capacity: 275Lbs

Warning: DO NOT STAND ON TABLE

Warning: DO NOT OVER TORQUE BOLTS

PREPARATION

Before beginning assembly of product, make sure all parts are present. Compare parts with package contents list and hardware contents list.

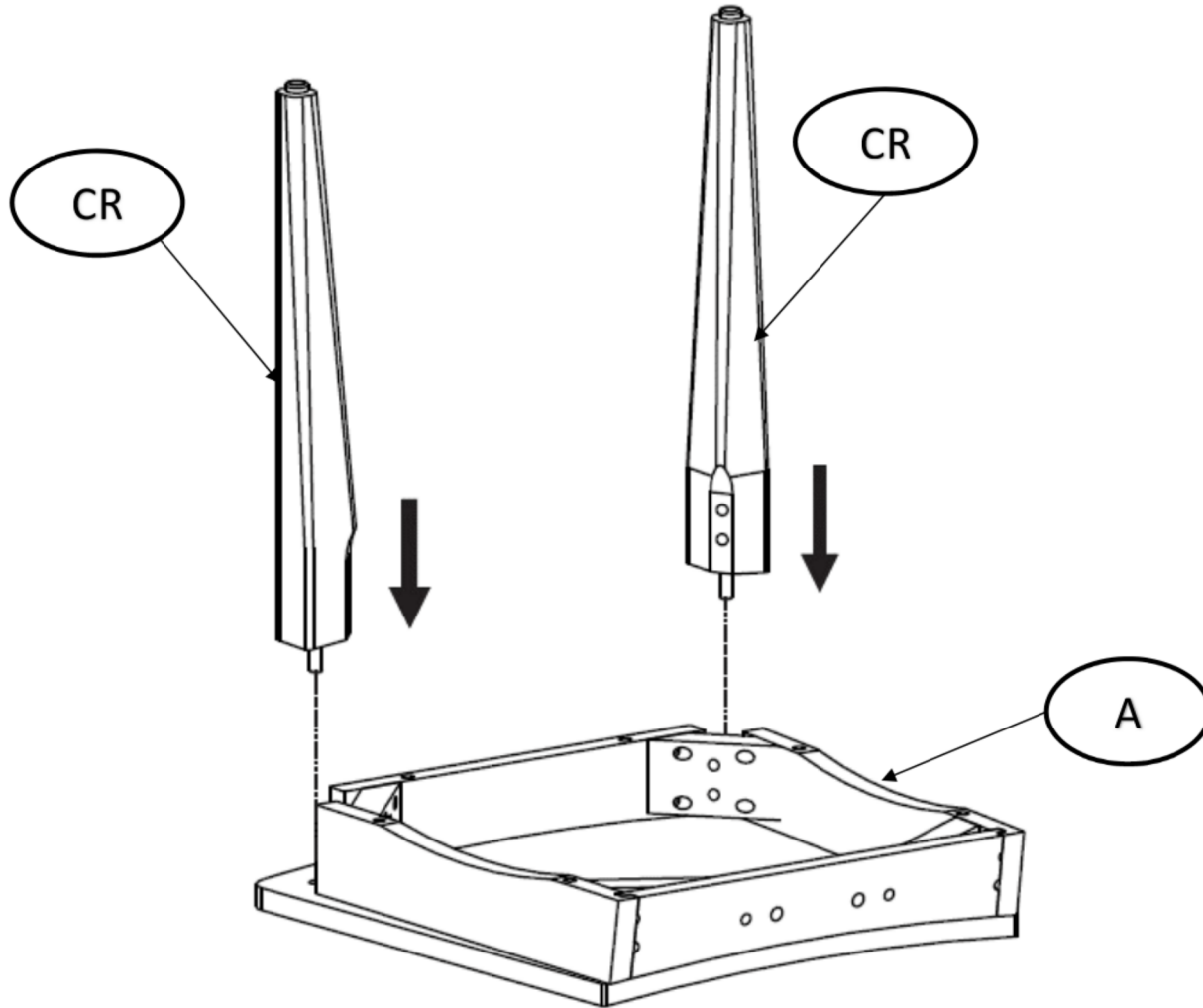
If any part is missing or damaged, do not attempt to assemble the product.

Estimated Assembly Time: 10 minutes.

Tools Required for Assembly (included): Allen Key

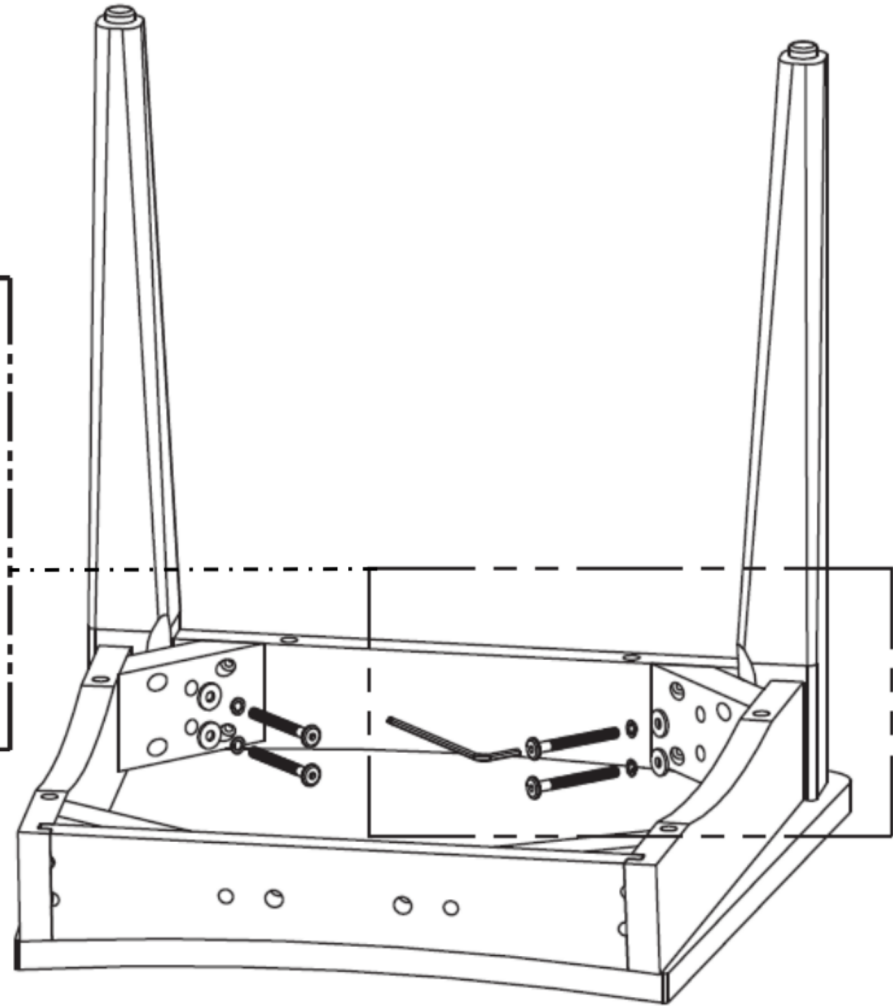
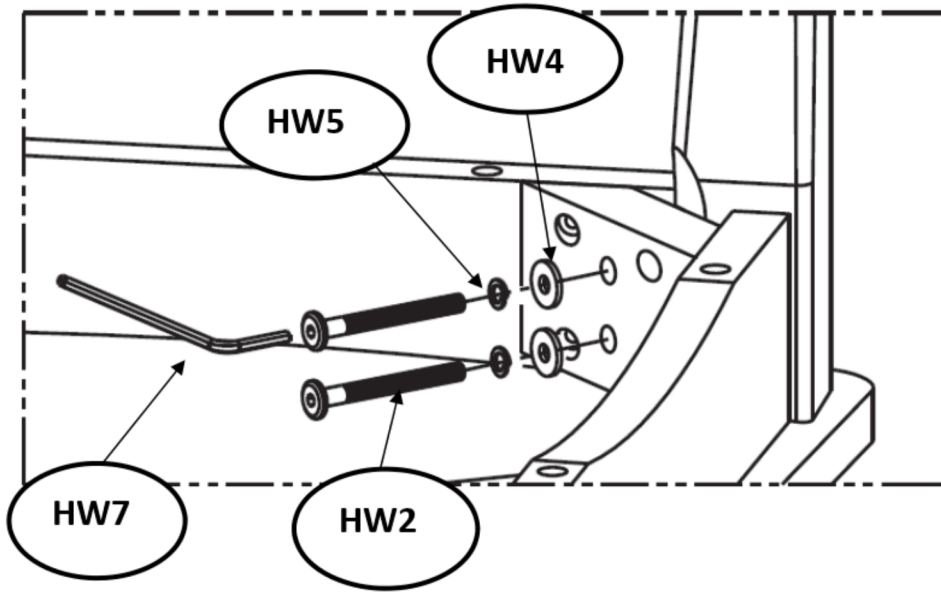


STEP 1



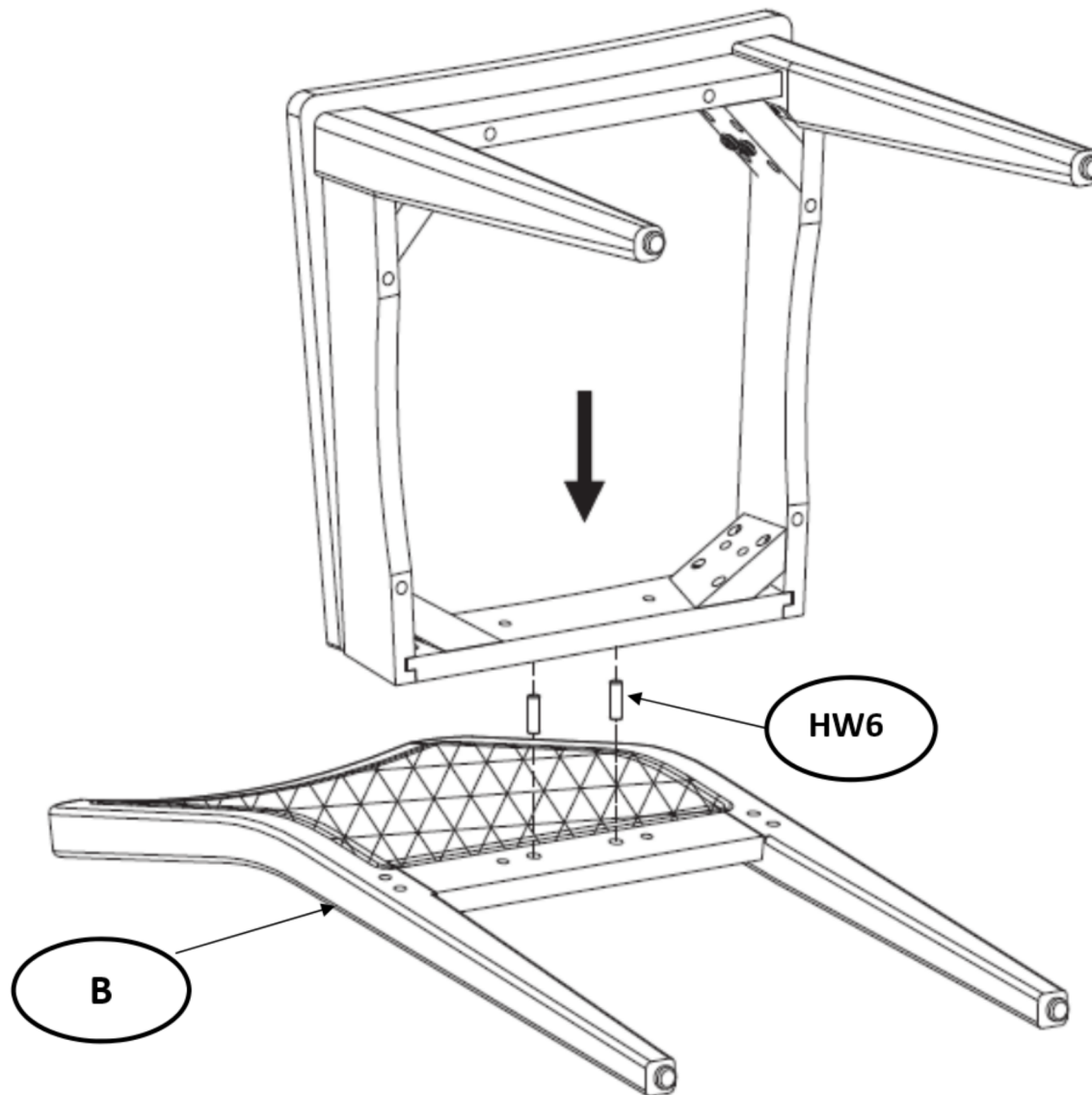
STEP 2

HW2		x 8
HW4		x 8
HW5		x 8






STEP 3

HW6  x 4



STEP4

- HW1  x 8
- HW3  x 4
- HW4  x 12
- HW5  x 12

