
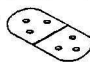






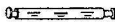

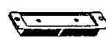


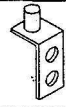

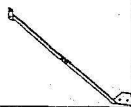


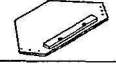







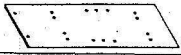





Hardware List :

ITEM	DESCRIPTION	Part	QTY
A	Wooden Dowel (Ø6*30mm)		14PCS
B	Hinge		2PCS
C	handle (75*43mm)		1PC
D	Handle bolt (Ø4*15mm)		6PCS
E	screw (Ø3*15mm)		36PCS
F	Wooden Dowel (Ø6*40mm)		4PCS
G	Camlock Bolt Ø(6*36mm)		10PCS
H	Calm lock (Ø15*9mm)		14PCS
I	Camlock Bolt Ø(6*72mm)		2PCS
J	Shelf clip (20*12*8mm)		4PCS
K	Magnetic catch (71*16*12mm)		1PC
L	handle (97*27mm)		2PCS
M	screw (Ø3*12mm)		20PCS
N	Axletree (Ø5*17mm)		4PCS
O	Magnetic Catch (44*16*12mm)		1PC
P	Support device		1PC
Q	Glue		1PC

Part List :

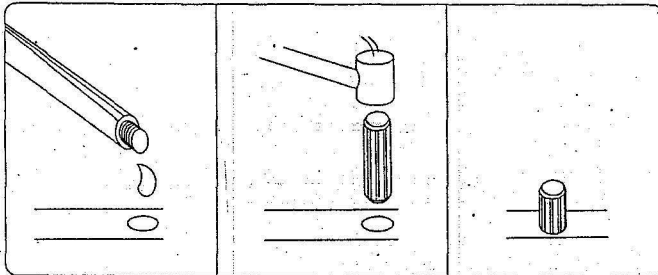
ITEM	DESCRIPTION	Part	QTY
1	Top panel (705*457*15mm)		1PC
2	Top shelf panel (705*331*15mm)		1PC
3	Adjustable shelf panel (652*272*12mm)		1PC
4	Bottom panel (705*331*15105mm)		1PC
5	Left upper end panel (200*163*12mm)		1PC
6	Right upper end panel (200*163*12mm)		1PC
7	Side back panel (850*275*3mm)		2PC
8	Left lower end panel (525*163*12mm)		1PC
9	Right lower end panel (525*163*12mm)		1PC
10	Back Panel (845*300*12mm)		1PC
11	Top door (438*183*15mm)		1PC
12	Left bottom door (520*217*18mm)		1PC
13	Right bottom door (520*217*18mm)		1PC

ASSEMBLY INSTRUCTION

CORNER CABINET

page 2 of 5

Wooden dowel installation

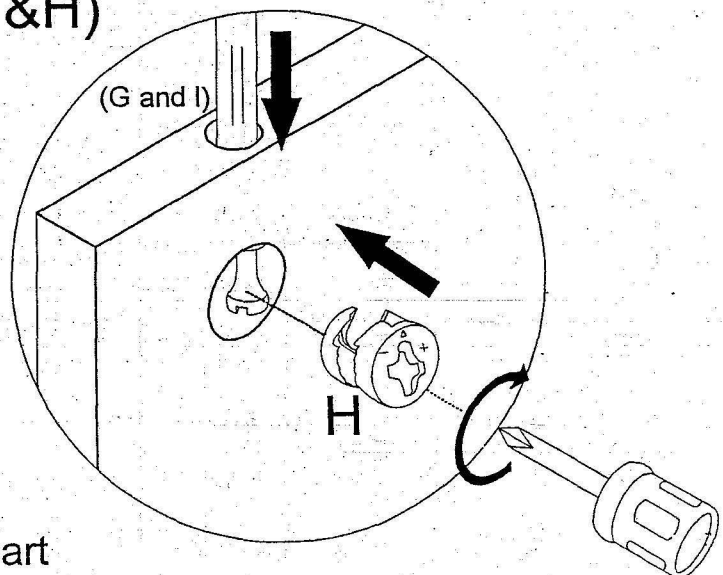
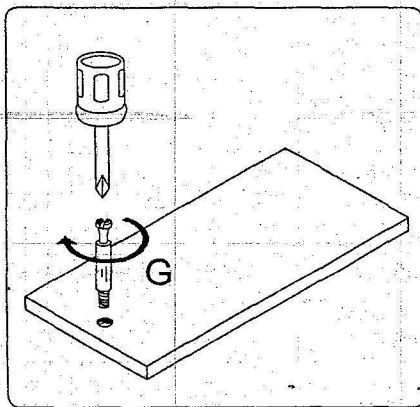


APPLY GLUE INTO PRE-DRILLED HOLE,
AND GENTLY TAP WOOD DOWEL INTO
THE HOLE WITH RUBBER Mallet.

*GLUE--DO NOT PUT IN MOUTH

- * Required screw driver & mallet, but not included
- * Before discarding packing materials, please check all parts and hardwares are presented
- * Need two persons to assemble this product
- * After few days of initial assembly, the product may have acclimated to new environment, please tighten all hardwares again

Assembly of camlock (G & H)

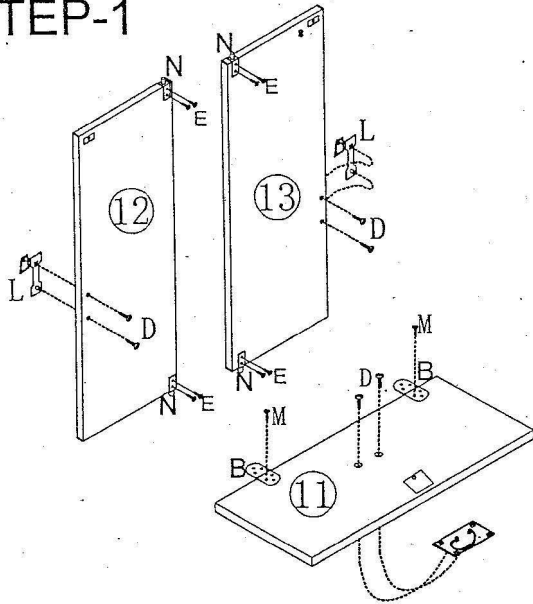


Screw camlock bolt (G) to wood part

Do not assemble camlock (H) unless is instructed

To assemble camlock (H), ensure long side of the + is facing the bolt (H) before inserting into hole

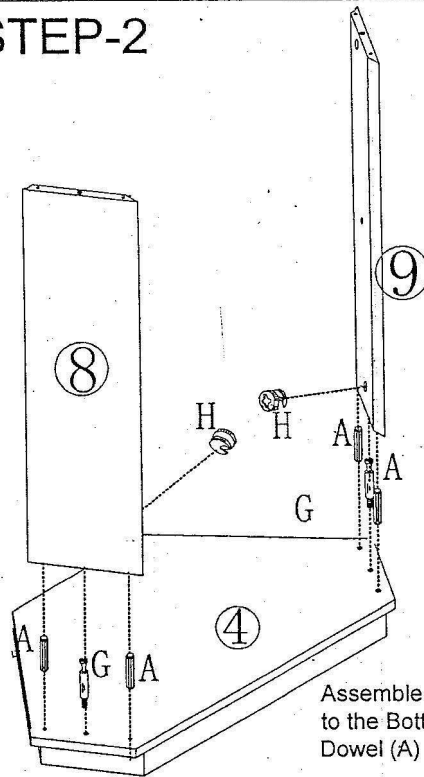
STEP-1



Install the Handle (L) to the Doors (12 &13) by using Bolt (D).
And Install the Axletree(N) to the Doors (12 &13) by using screw(E).

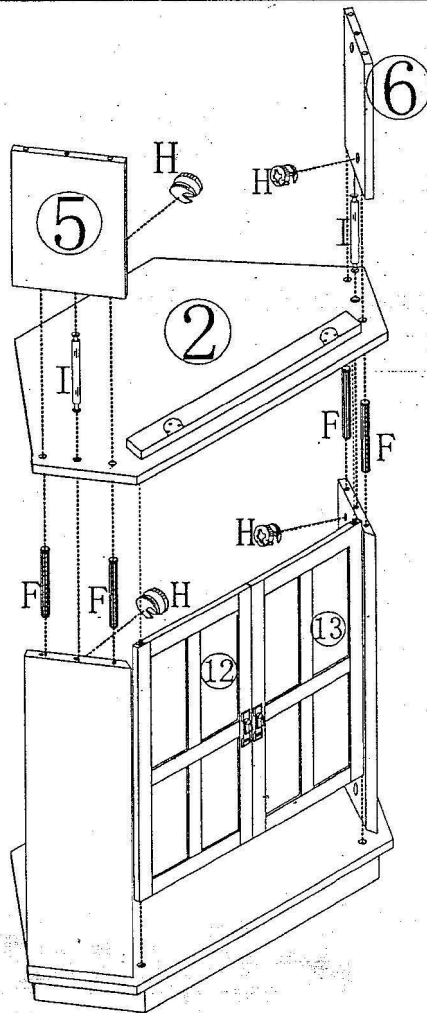
Install Hinge (B) to the Top Door (11) by using Screw (M);
Install Handle (C) to the Top Door (11) by using Bolt (D)

STEP-2



Assemble the Lower End Panel (8&9)
to the Bottom Panel (4) by using
Dowel (A) and Camlock (G&H)

STEP-3



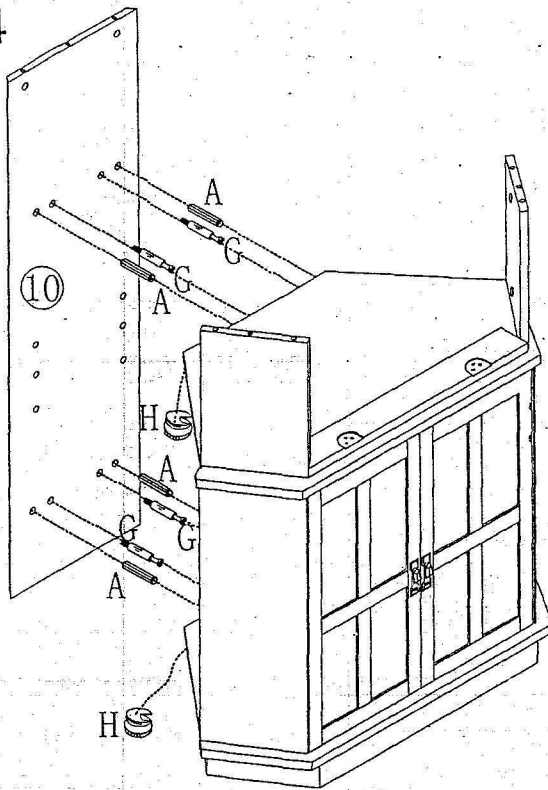
Assemble the Bottom Doors (12 &13), Top
Shelf Panel (2), Upper End Panels (5&6)
to the unit from STEP2 by using Axletree (N),
Dowel (F) and Camlock(H&I)

ASSEMBLY INSTRUCTION

CORNER CABINET

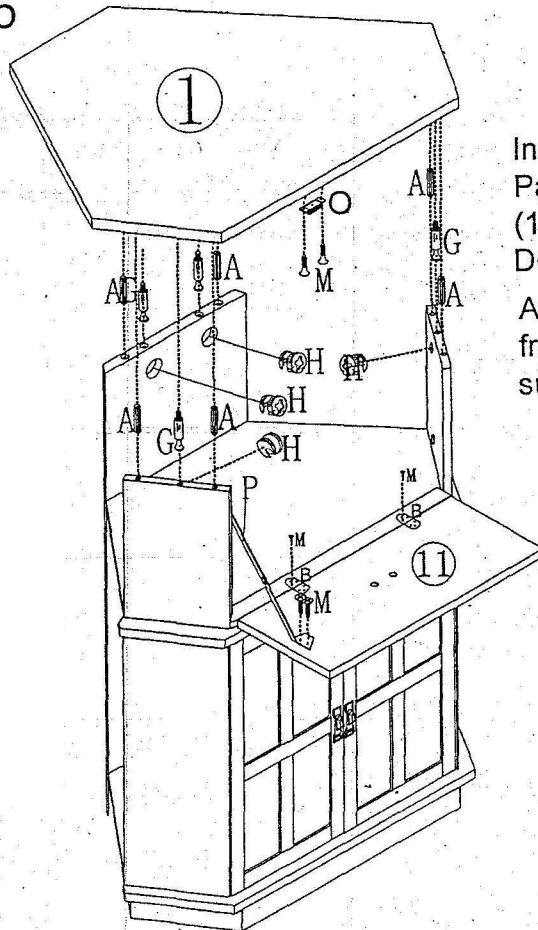
page 4 of 5

STEP-4



Assemble the Back Panel (4) to the unit from STEP3 by using Dowel (A) and Camlock (G&H)

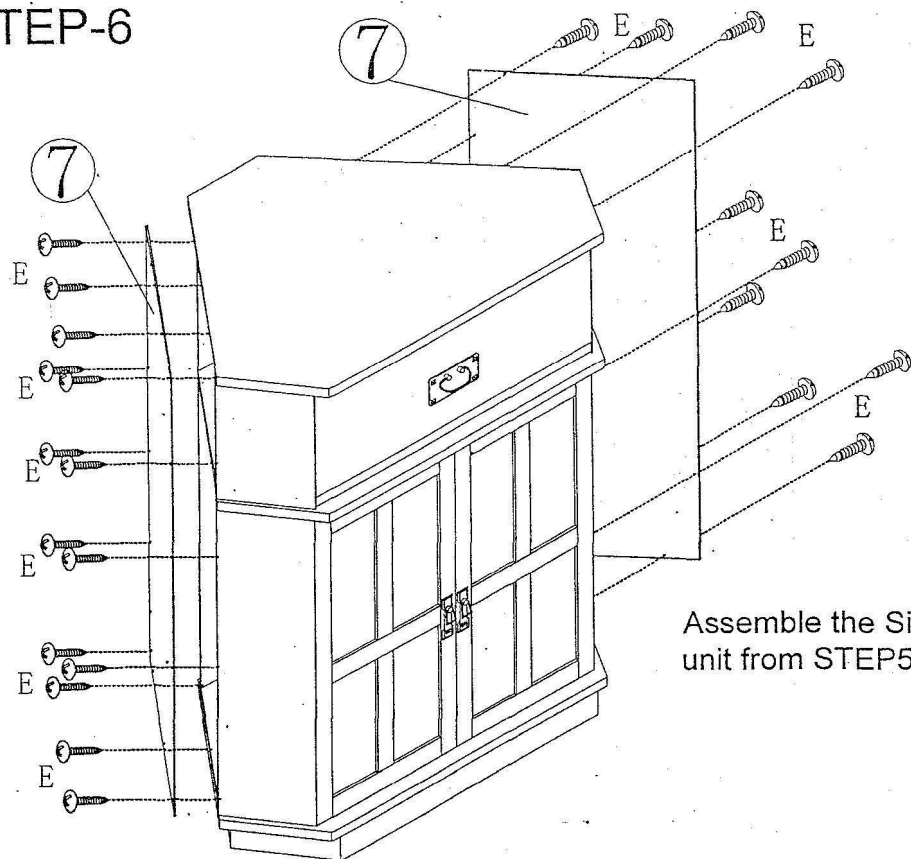
STEP-5



Install the Magnetic Catch (O) to the Top Panel (1), then assemble the Top Panel (1) to the unit from STEP4, by using Dowel (A) and Camlock (G&H)

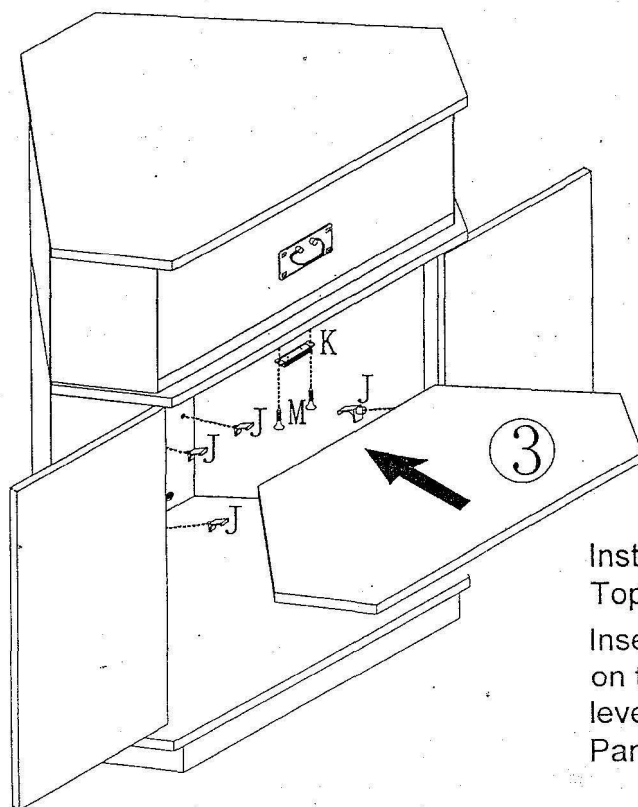
Assemble the Top Door (11) to the unit from STEP4 by using Screw (M) and support device (P)

STEP-6



Assemble the Side Back Panel to the unit from STEP5 by using Screw (E)

STEP-7



Install the Magnetic Catch (K) to the Top Shelf Panel by using Screw (M)
 Insert the Shelf Clip (J) into the holes on the lower end panels at the same level, then place Adjustable Shelf Panel (3) on the shelf clips