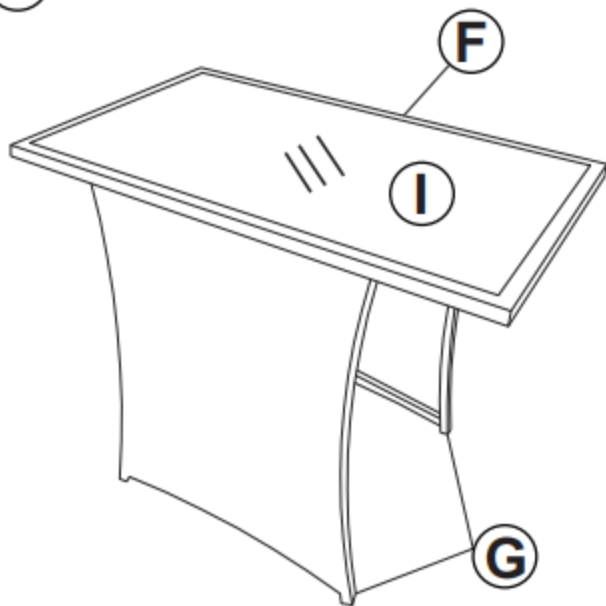

















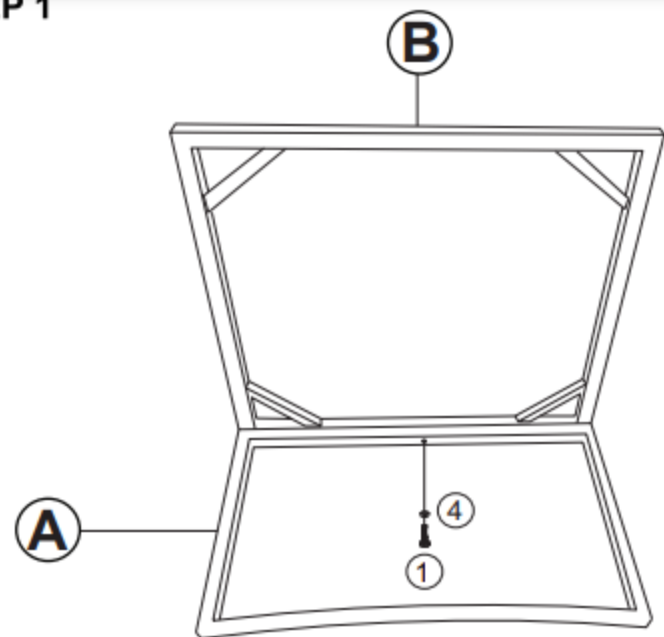
**x2**



Part List					
A		2 pcs	B		2 pcs
C		2 pcs	D		2 pcs
E		2 pcs	F		1 pc
G		2 pcs	H		2 pcs
I		1 pc	K		2 pcs

Bolt and Accessories				
	Description	Hardware	Spec	Qty
1	Bolt		M6 x 35 mm	24 pcs
2	Bolt		M6 x 30 mm	8 pcs
3	Bolt		M6 x 15 mm	4 pcs
4	Washers		M6	36 pcs
5	Allen key		M4	2 pcs

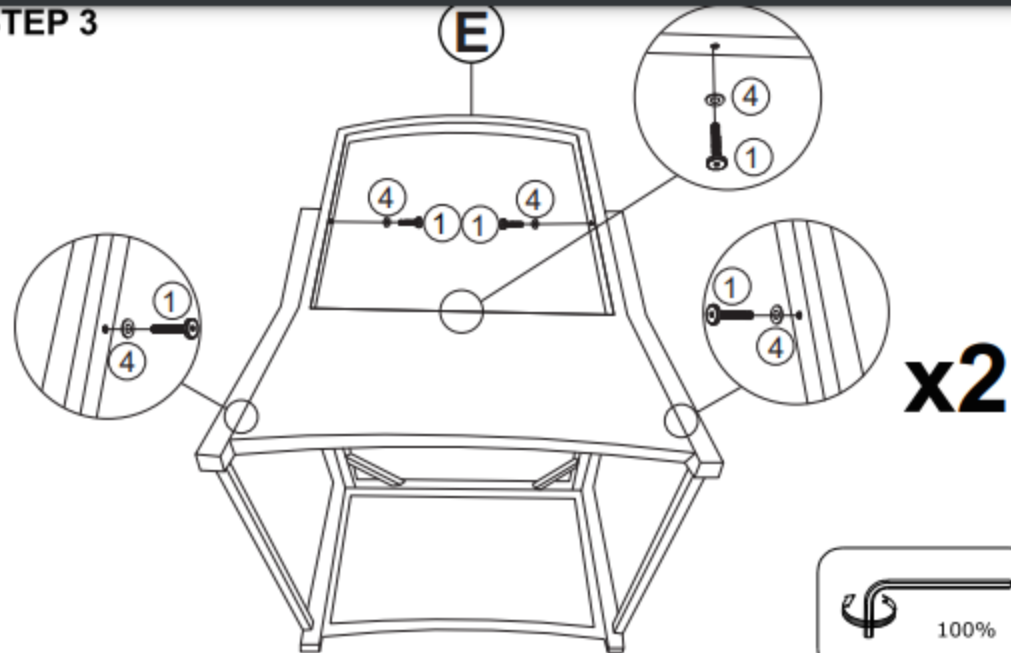
STEP 1



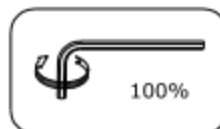
x2



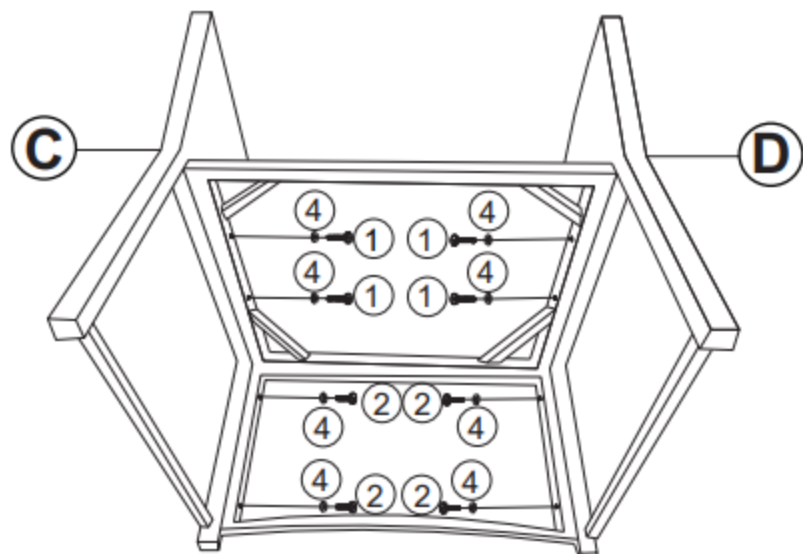
STEP 3



x2



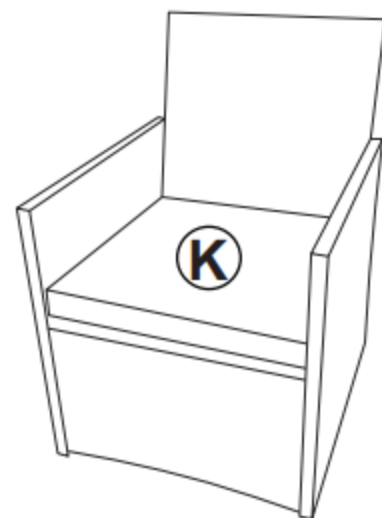
STEP 2



x2



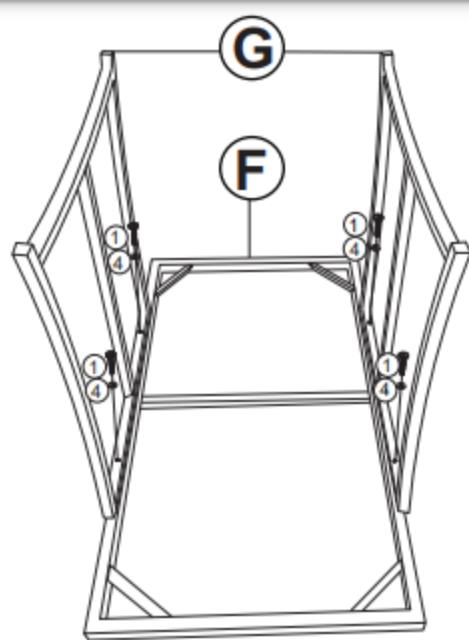
STEP 4



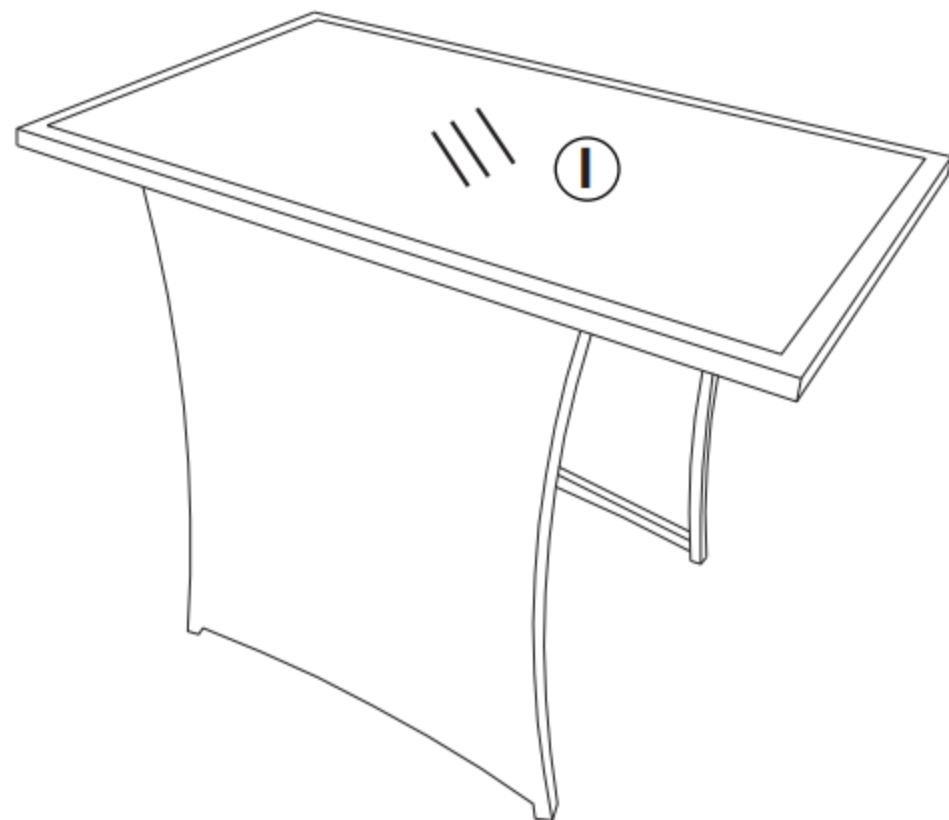
x2

**Finished**

STEP 5



STEP 7



**Finished**

STEP 6

