

ASSEMBLY INSTRUCTIONS



Description : RECTANGULAR NIGHT STAND END TABLE WITH DRAWER

Product Dimension : 15.7"x23.7"x24"

Cube Size : 25.9"x17.7"x11.2"

NW: 24.2 LBS

GW: 28.6 LBS

RECTANGULAR NIGHT STAND END TABLE

BEFORE ASSEMBLY

Thank you for purchasing our product. This product has been designed for easy assembly and long lasting use. Please take the time to read and follow the assembly instructions carefully.

Be sure to check all packing material carefully for small parts that may have come loose inside the carton during shipment. Please separate, identify, and count all parts and metal hardware. Compare with the part list to be sure all parts are present.

If the hardware is missing or you have difficulty assembling this product, please call for us.

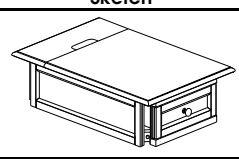
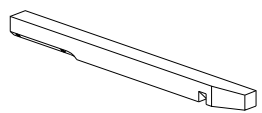
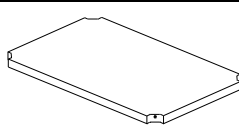
IMPORTANT NOTE:

- Place all wooden parts on a clean and smooth surface such as a rug or carpet to avoid the parts from being scratched.
- Remove all wrapping material, including staples & packing straps, before you start to assemble.
- DO NOT tighten all screws and bolts until completely assembled.
- Keep all hardware parts out of reach of children.



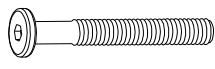


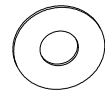

PART LIST

When unpacking, please be careful not to discard any parts with the packaging. Before continuing, please make sure you have the following parts:

NO	Description	Qty	Sketch	NO	Description	Qty	Sketch
A	Table top	1		B	Legs	4	
C	Middle Shelf	1					

HARDWARE LIST

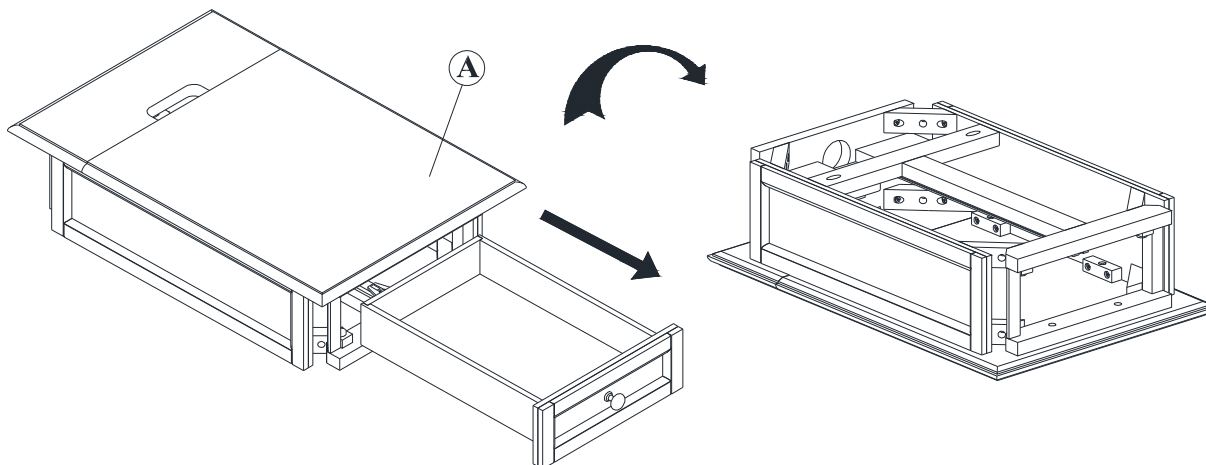
When unpacking, please be careful not to discard any parts with the packaging. Before continuing, please make sure you have all of the following hardware:

NO	Description	Qty	Sketch	NO	Description	Qty	Sketch
1	Bolt (M6x60mm)	8		2	Screw (M4x40mm)	4	
3	Lock washer (Φ6.5xΦ9mm)	8		4	Flat washer (Φ6.5xΦ19mm)	8	
5	Allen key (M4)	1					

RECTANGULAR NIGHT STAND END TABLE

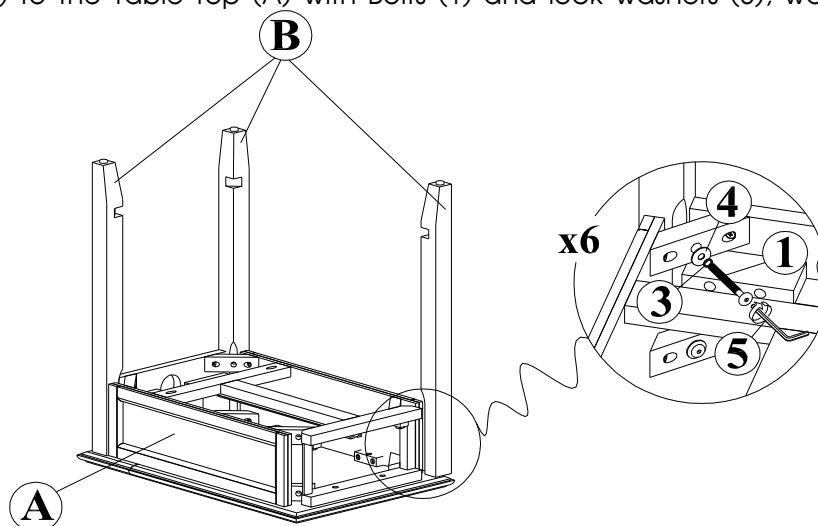
STEP 1

Slide to remove the drawer from the Table top (A) as shown below



STEP 2

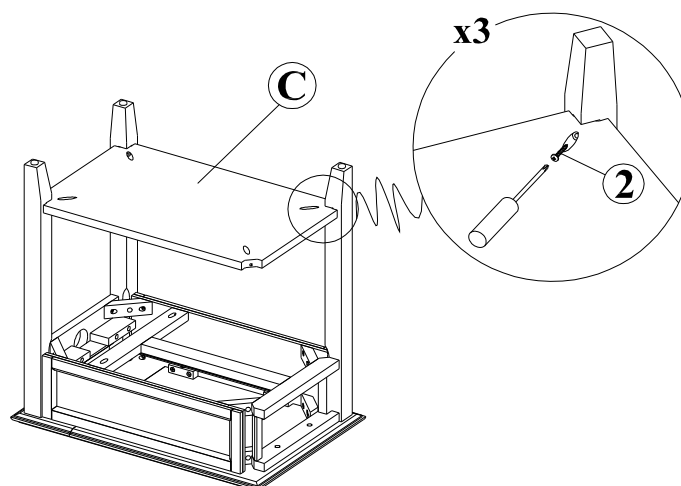
Attach 3 Legs (B) to the Table top (A) with Bolts (1) and lock washers (3), washers (4). Tighten with Allen key (5)



STEP 3

Attach Middle shelf (C) to the legs (B) with screws (2), Tighten with the screw driver as shown below.

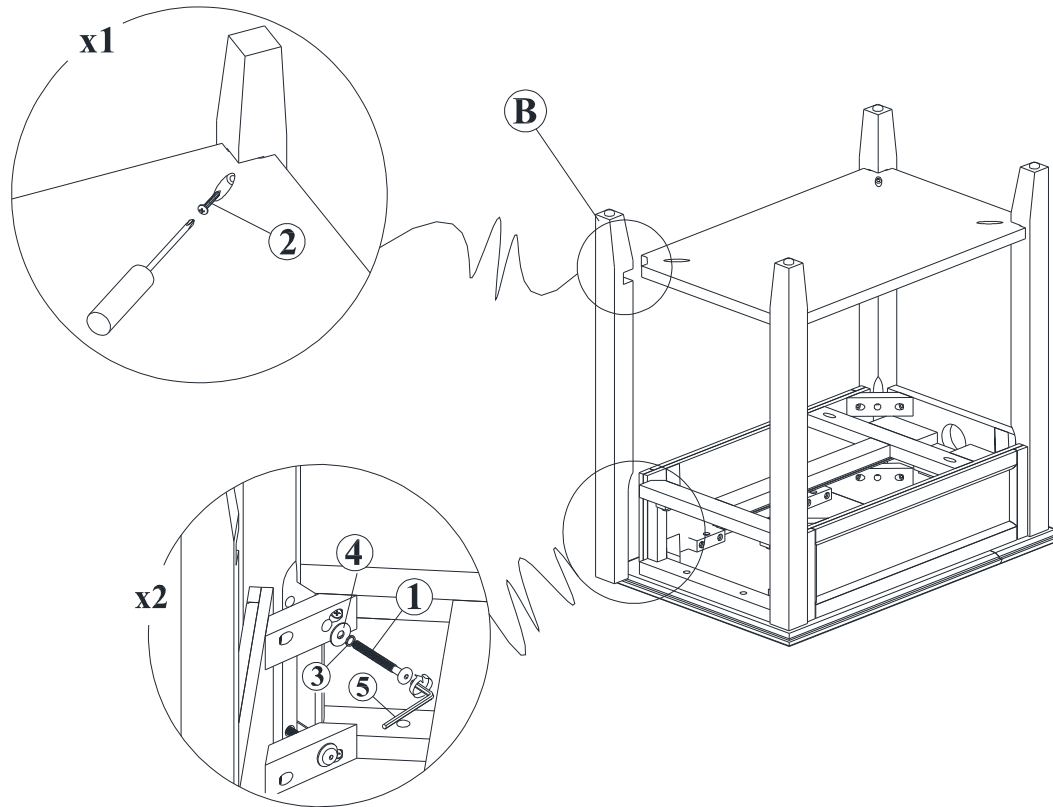
Screw Driver is not included in package



RECTANGULAR NIGHT STAND END TABLE

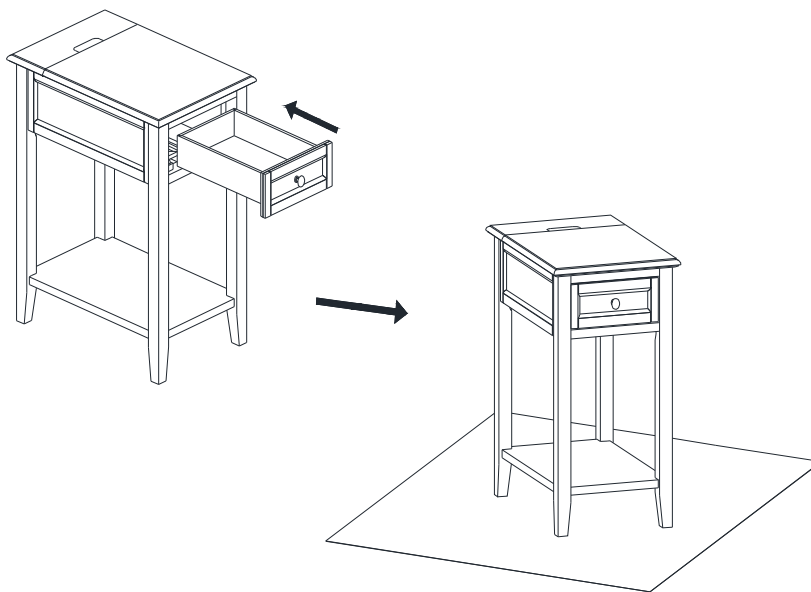
STEP 4

Attach the fourth leg (B) and connect it to the table top (A) and middle shelf (C). Tighten with Bolts (1) and lock washers (3), washers (4) by Allen Key (5). Tighten Screw (2) to attach Middle Shelf (C)



STEP 5

Flip the chest, Turn the Drawer into the chest one by one as shown below, put on flat ground. Complete the assembly.



RECTANGULAR NIGHT STAND END TABLE