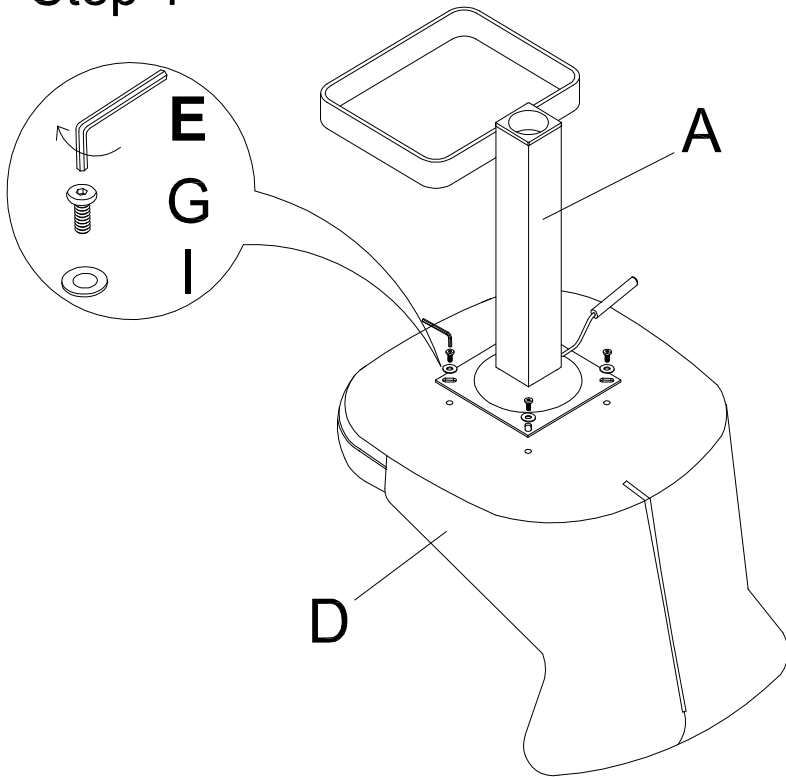


# ASSEMBLY INSTRUCTION

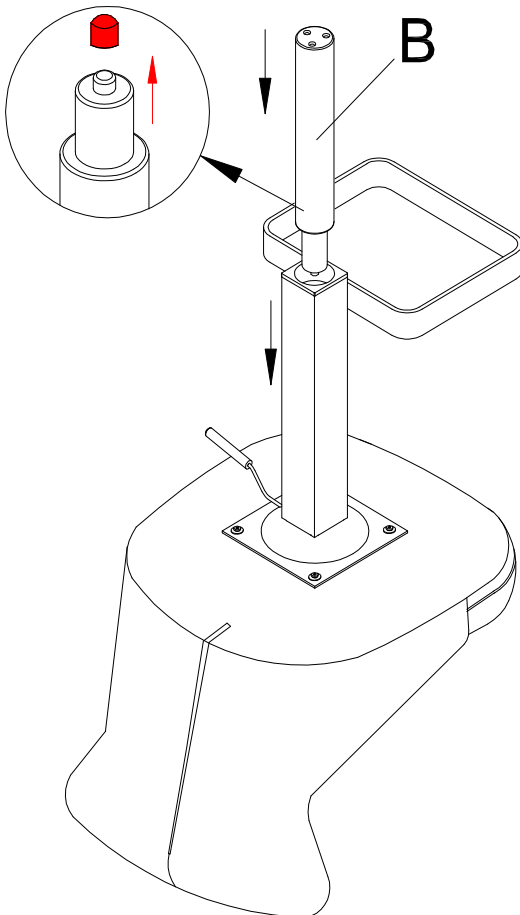
Description: Sergio Bar Stool Taupe

Thank you for purchasing this quality product. Be sure to check all packing material carefully for small parts that may have come loose inside the carton during shipment

## Step 1



Please remove the plastic cap before installation



### PART LIST:

NO	Description	Sketch	Qty
A	Footrest		1 pc
B	Gaslift		1 pc
C	Base		1 pc
D	Seat		1 pc

### HARDWARE LIST:

NO	Description	Sketch	Qty
E	Allen Key		1 pc
F	Allen Key		1 pcs
G	Bolt		4 pcs
H	Bolt		3 pcs
I	Flat Washer		4 pcs

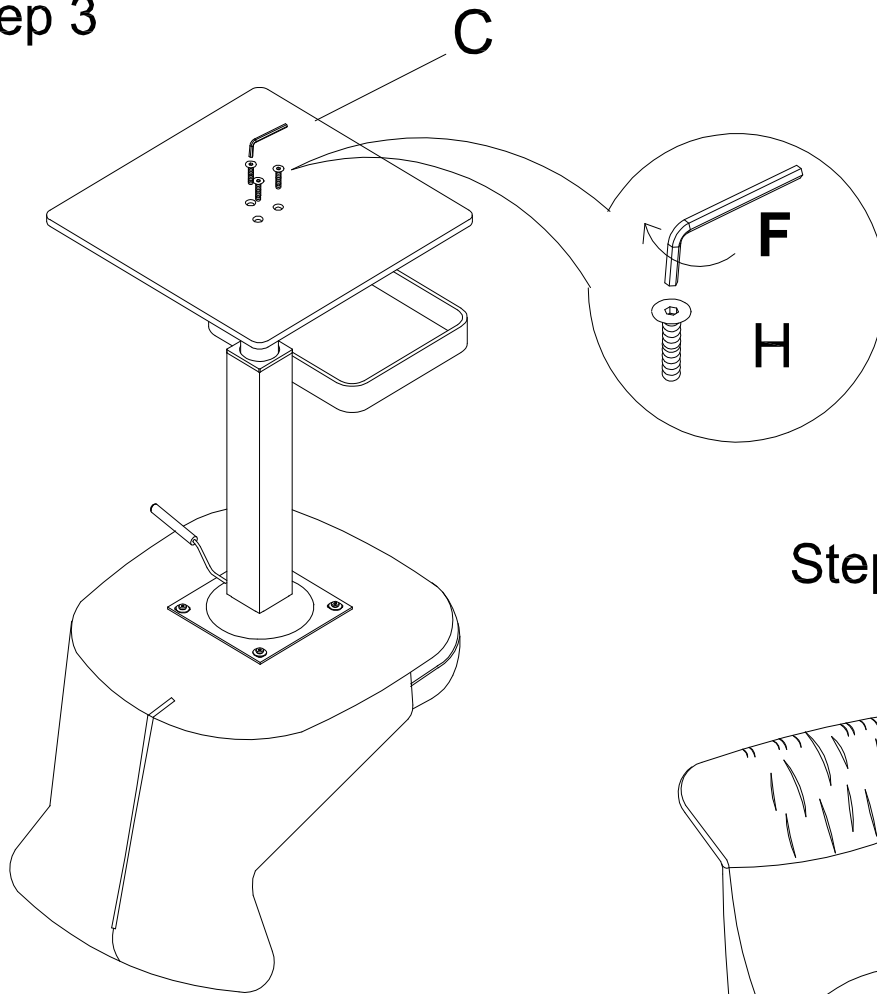
1. Attach the Footrest (A) to the chair Seat (D) and fasten by Flat Washer (I) Bolt (G) and Allen Key (E)
  2. Attach the Gaslift (B) to Footrest (A)
- Note: Please do not fully tighten all bolts until the hole of Footrest (A) align with the hole pre-assembly on the Seat (D).

# ASSEMBLY INSTRUCTION

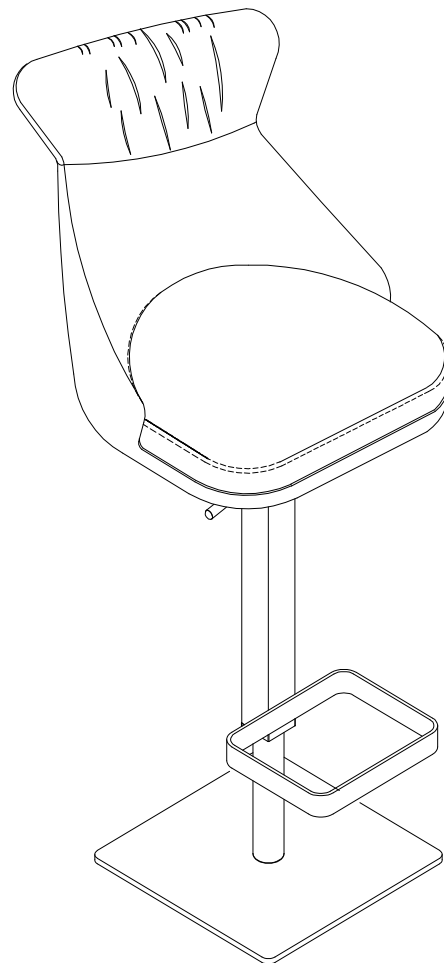
Description: Sergio Bar Stool Taupe

Thank you for purchasing this quality product. Be sure to check all packing material carefully for small parts that may have come loose inside the carton during shipment

## Step 3



## Step 4



3. Attach the Base (C) to Gaslift (B) fasten with Bolt (H) and Allen key (F)