

INSTRUCTION MANUAL

Congratulations, you now have a new function sofa with massage.

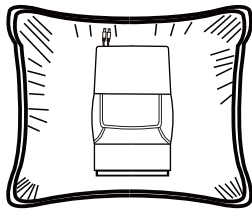
Before enjoy the comfort chair,you have to put it together.This Assembly Guide will take you through the basic assembly process.To make sure your assembly goes smoothly,please follow the assembly instructions, and especially the important safety information.

Also, while it is possible to assemble the chair on your own, having a second person to help you makes it even easier.

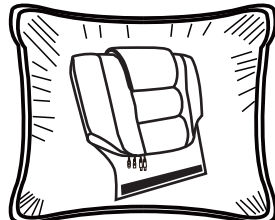
Before you begin, please check if there are any missing parts from the package. Should there be any issues, please don't hesitate to drop us an email and we'll help you out ASAP.

PACKAGE LIST

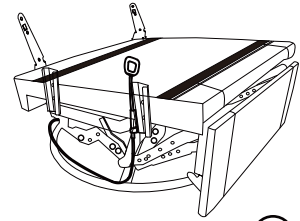
02



Seat cushion (A) * 1



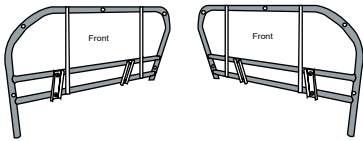
Back (B) * 1



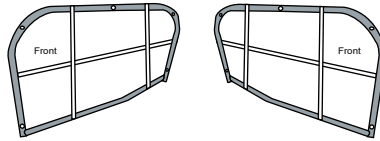
Seat frame (C) * 1

D(L)

D(R)



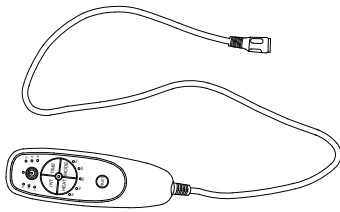
Arm frame (D) * 1



Arm frame (E) * 1



Armrest cover (F) * 1



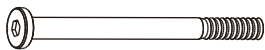
Massager remote control board (G) * 1



Massager power supply (H) * 1



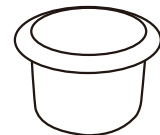
Connecting tubes (M) * 10



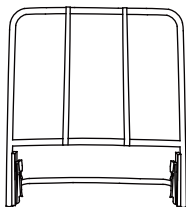
Long screw (N) * 10



Spanner (O) * 1



Cup holder (P) * 2



Back frame (T) * 1

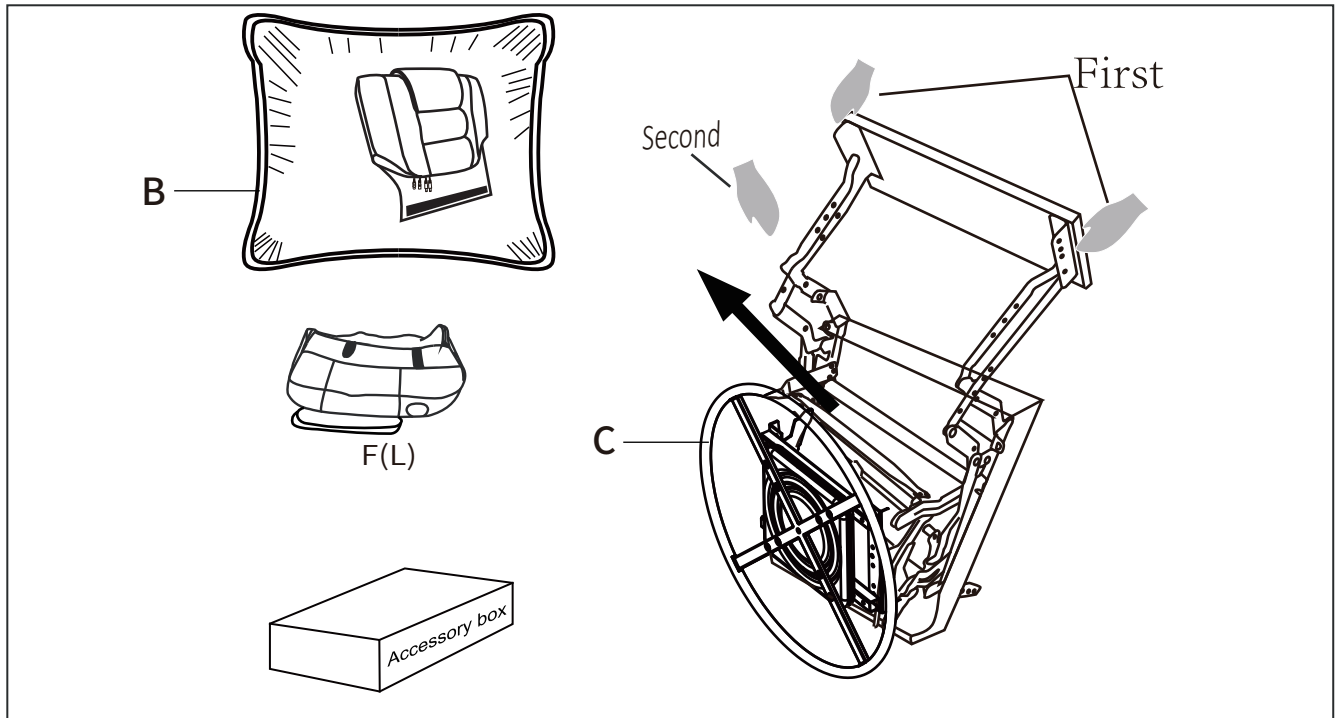


Spare (S) * 2

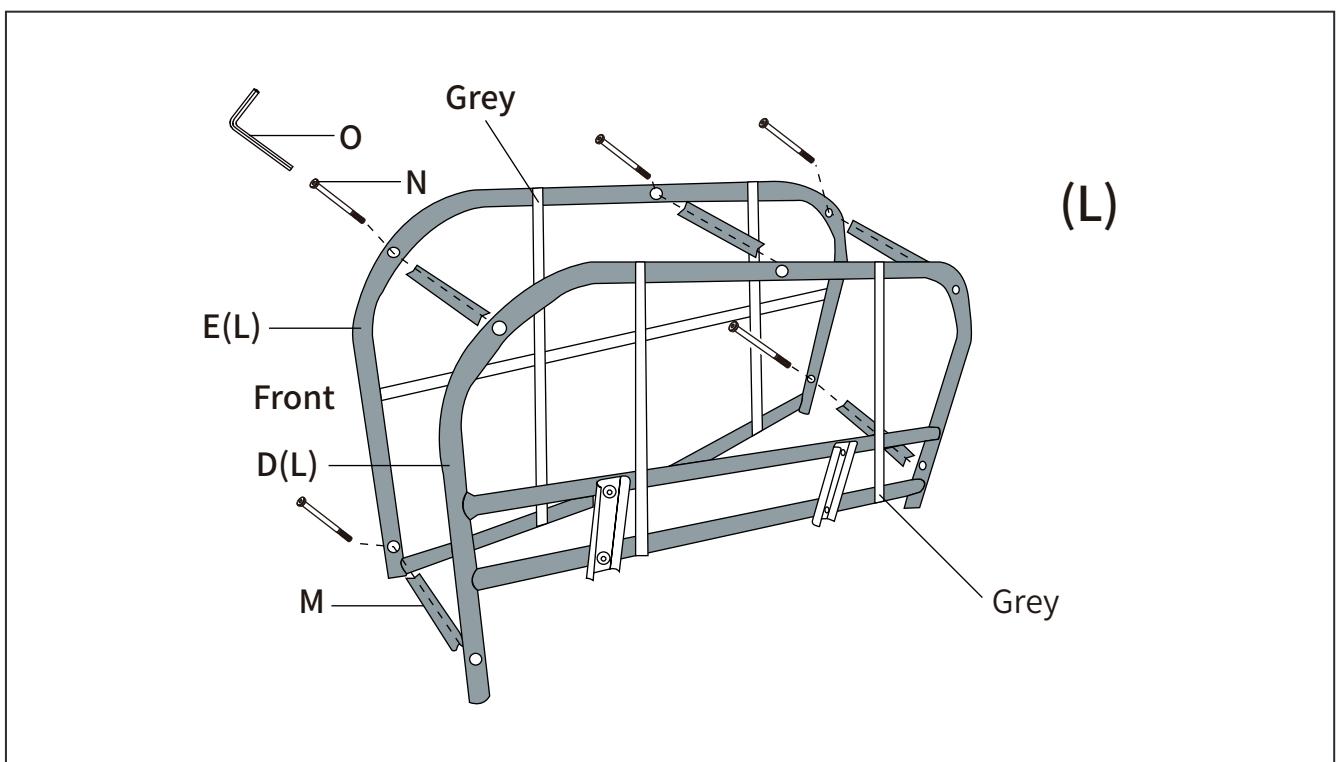
ASSEMBLY INSTRUCTION

03

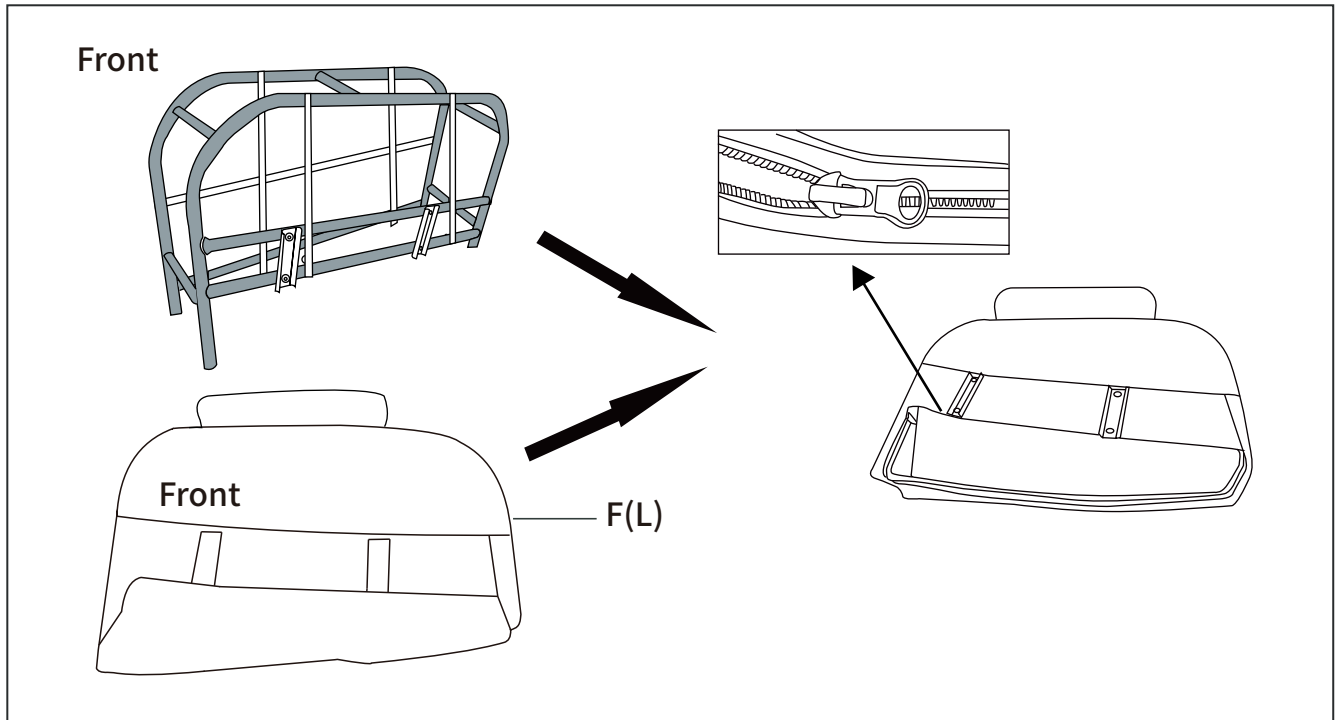
STEP 1: Flip the seat frame over with the footrest facing upwards, Pull the footrest with your hand, Then remove the back and the accessory box and armrest cover from the frame.



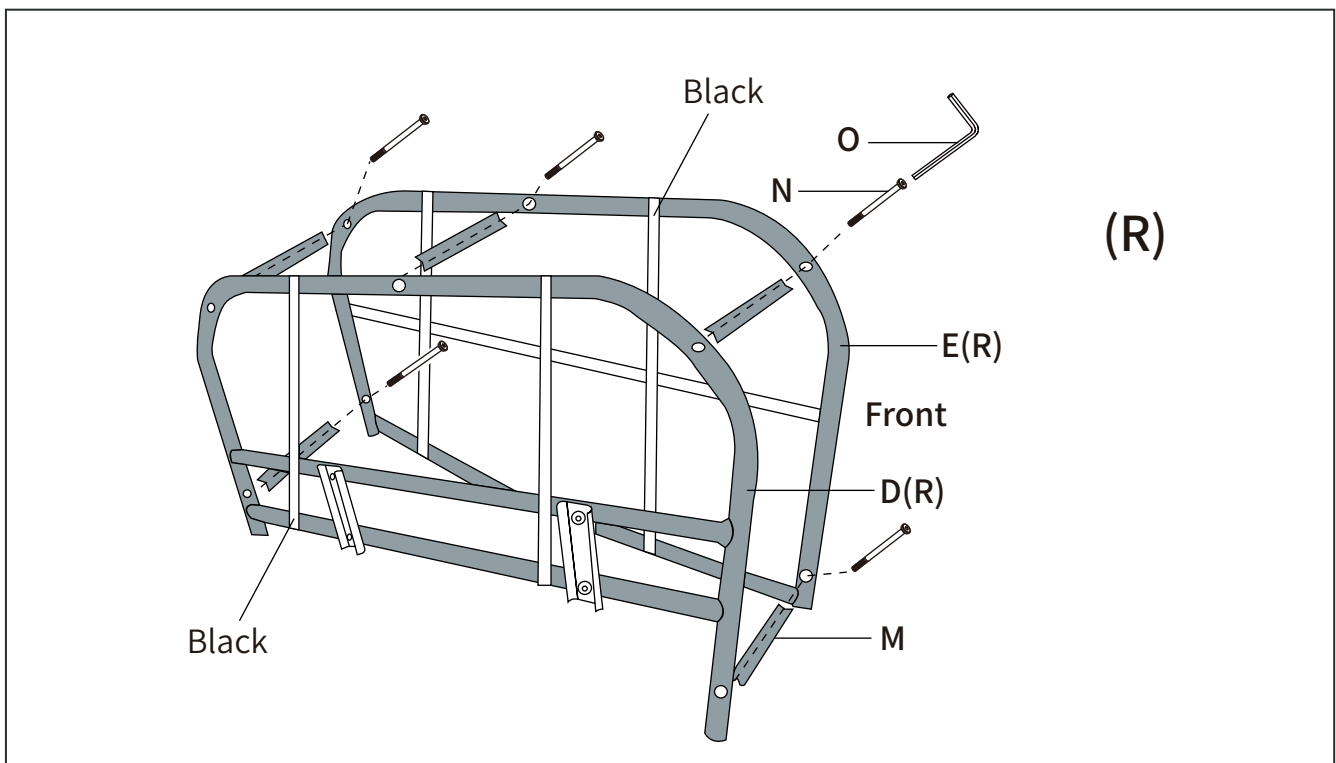
STEP 2: Use spanner O and screw N to pin through the inner iron frame D and the connecting tubes M to the outer frame E of the armrest. Tight all screws, please pay attention to distinguish the front and back of the armrest frame.



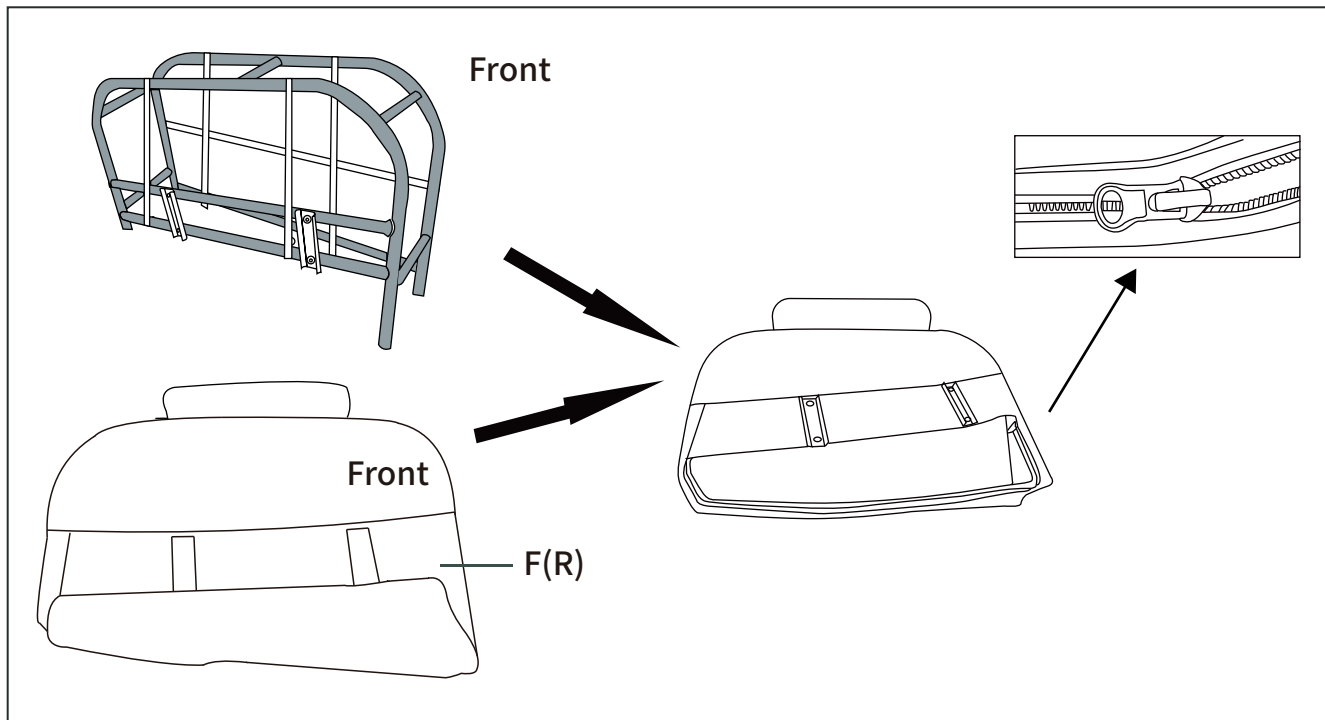
STEP 3: Align the armrest cover to armrest-assembled iron frame in sequence of left and right, back and forward. so that the cloth cover hole is aligned with the insert hole. Pull the zipper after all is OK.



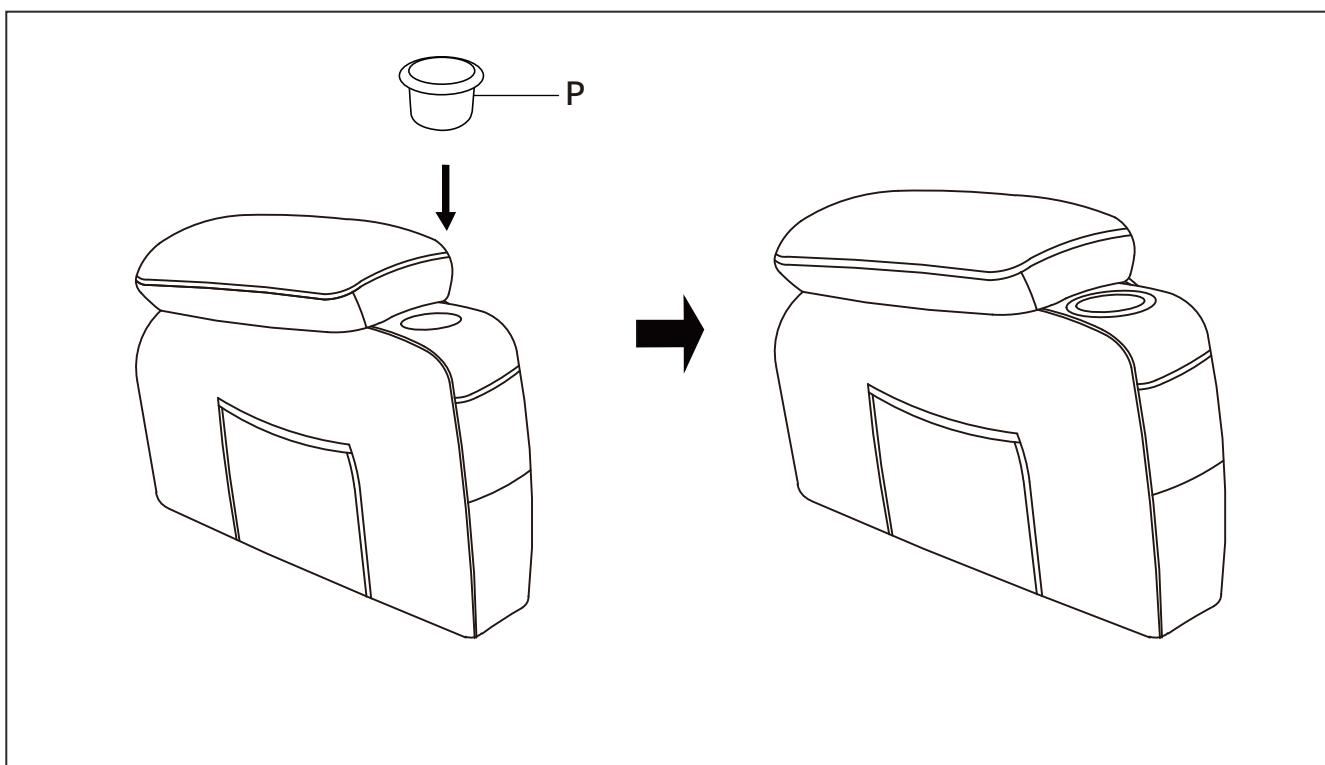
STEP 4: Repeat Step 2.



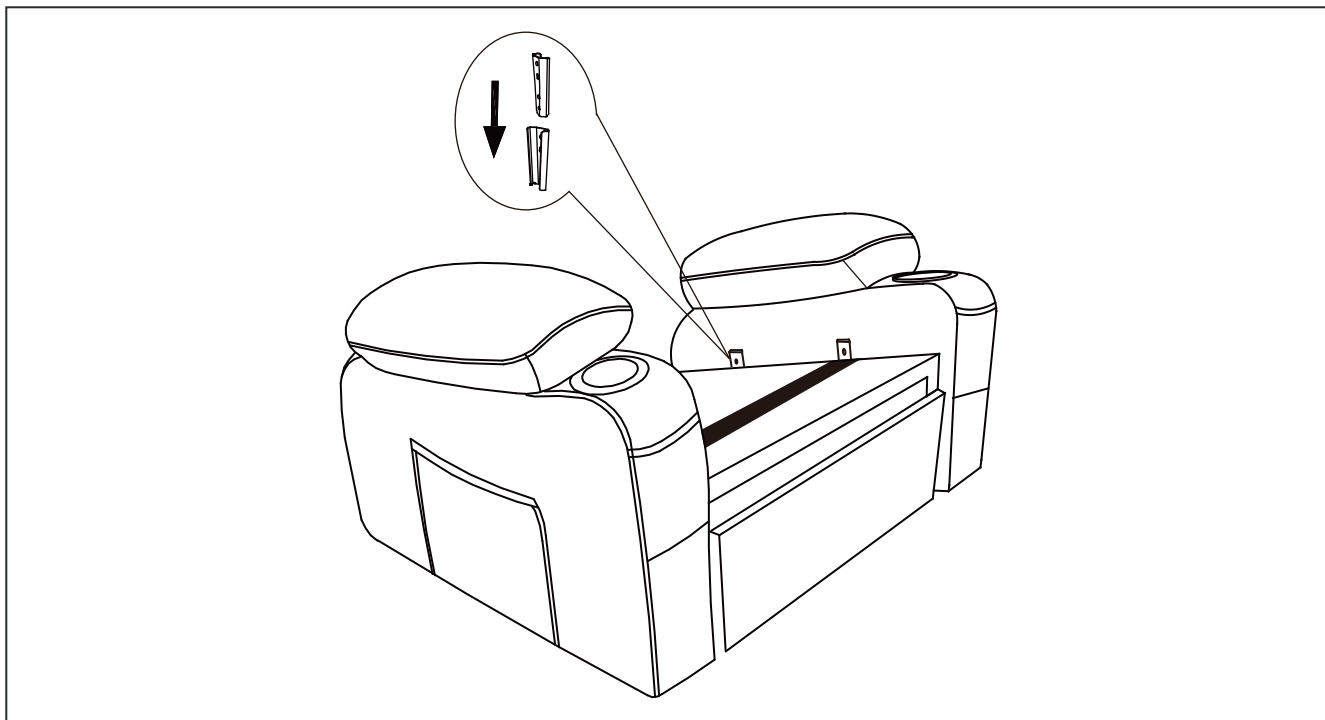
STEP 5: Repeat Step 3.



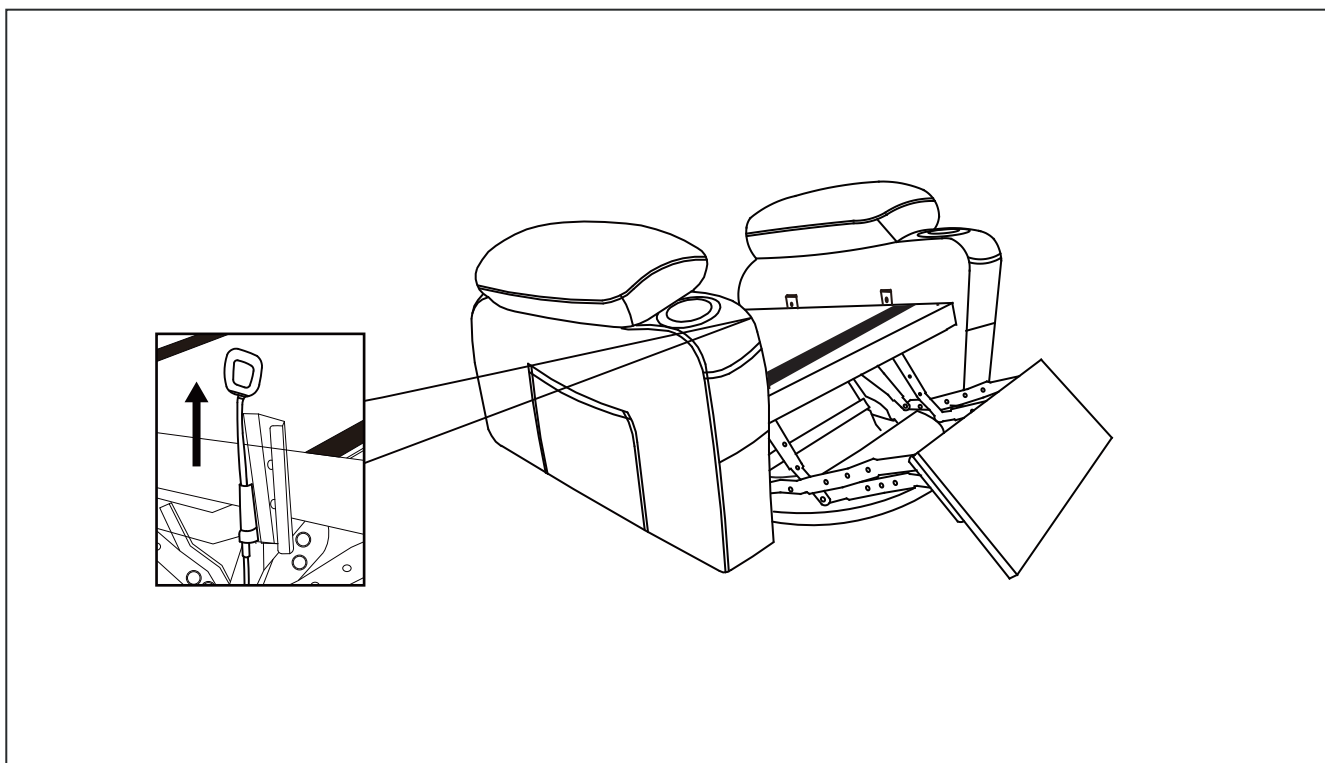
STEP 6: Place the cup holder into the groove.



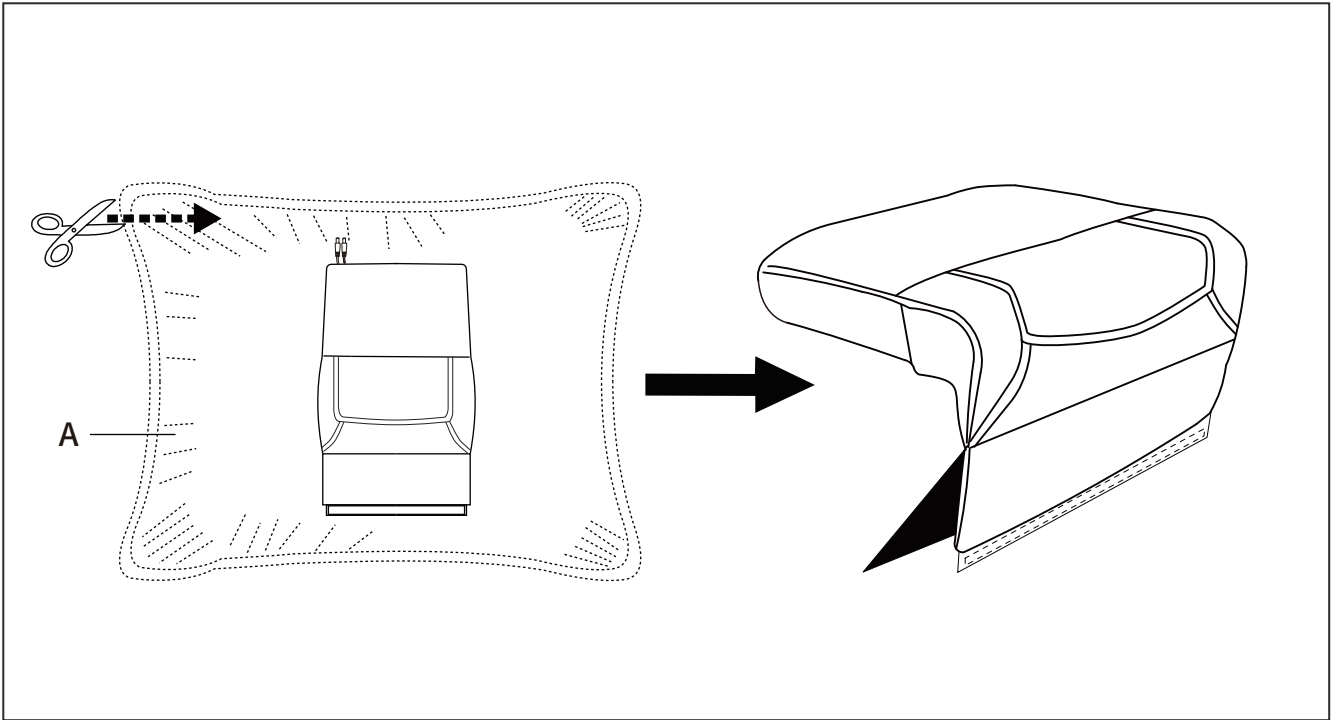
STEP 7: Insert arms so that they can fit into the seat, you will hear a "click" when they are engaged.



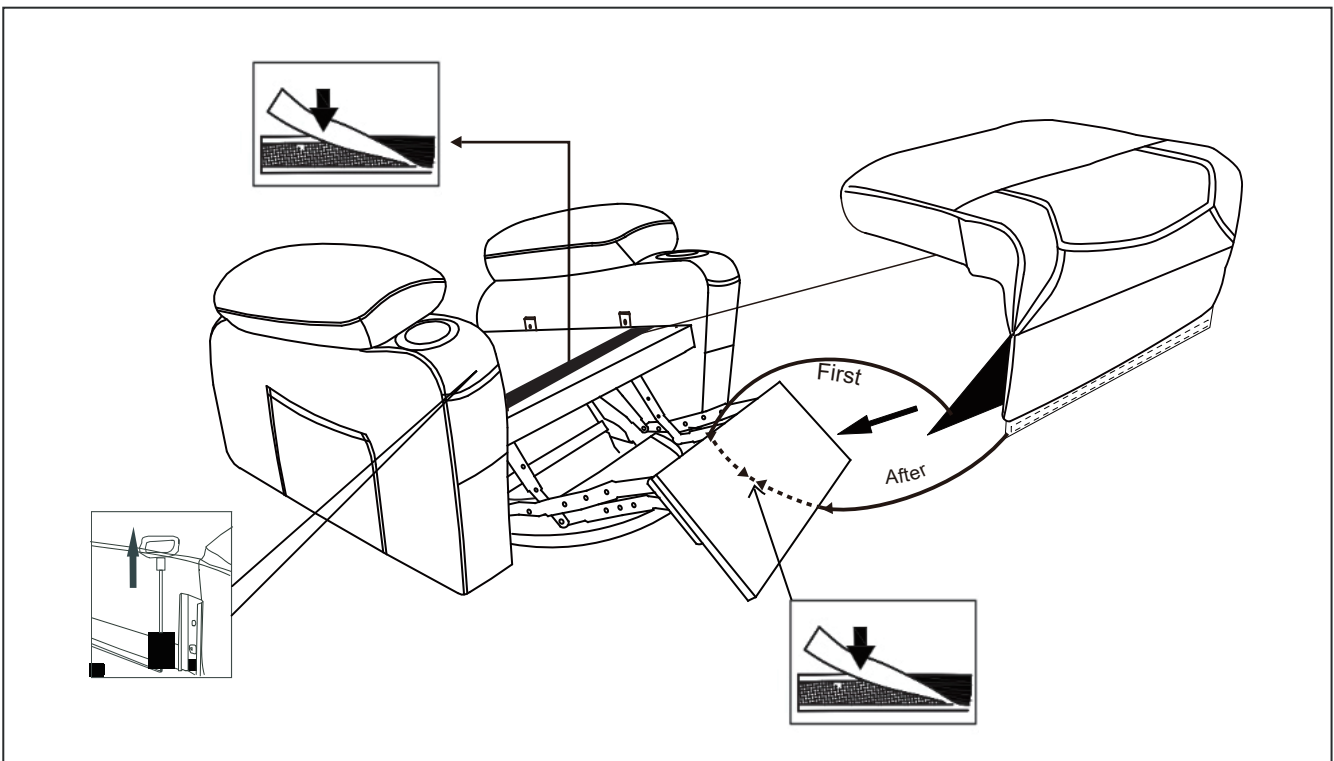
STEP 8: Pull the pull ring on the side of the seat and turn on the footboard.



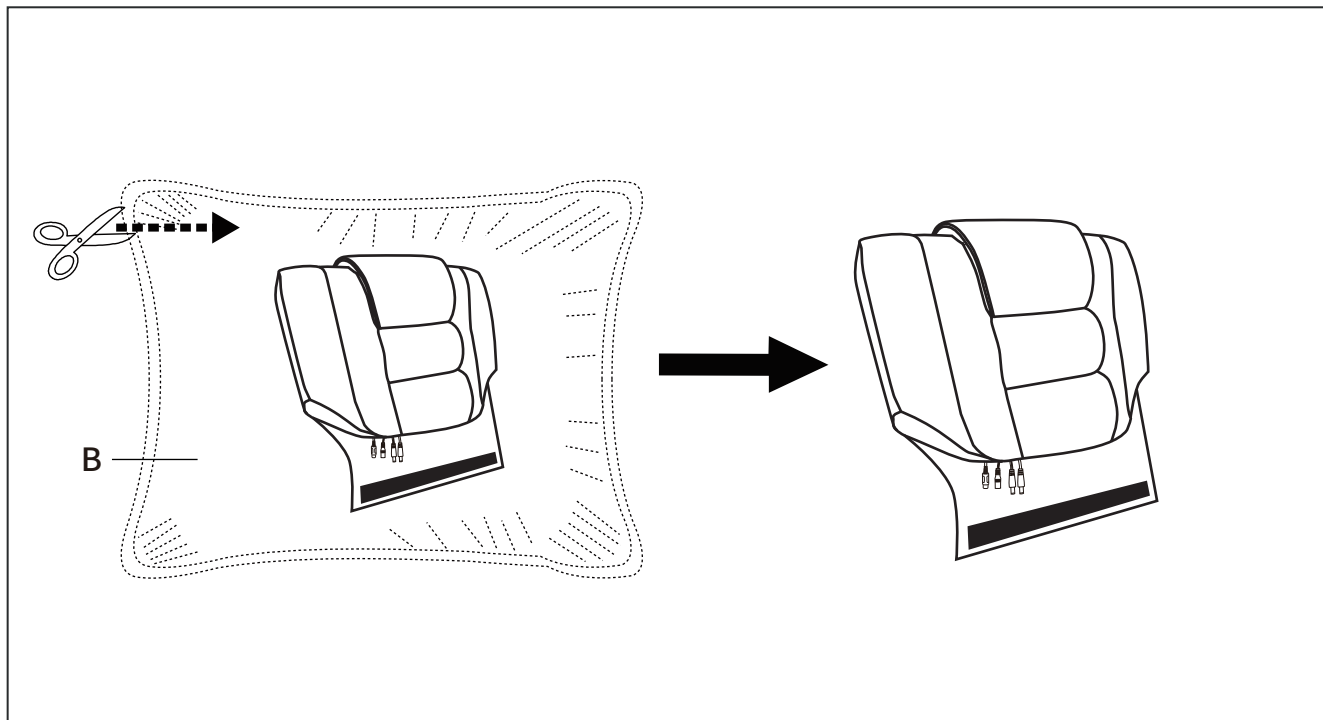
STEP 9: Open the compression bag and remove the seat.



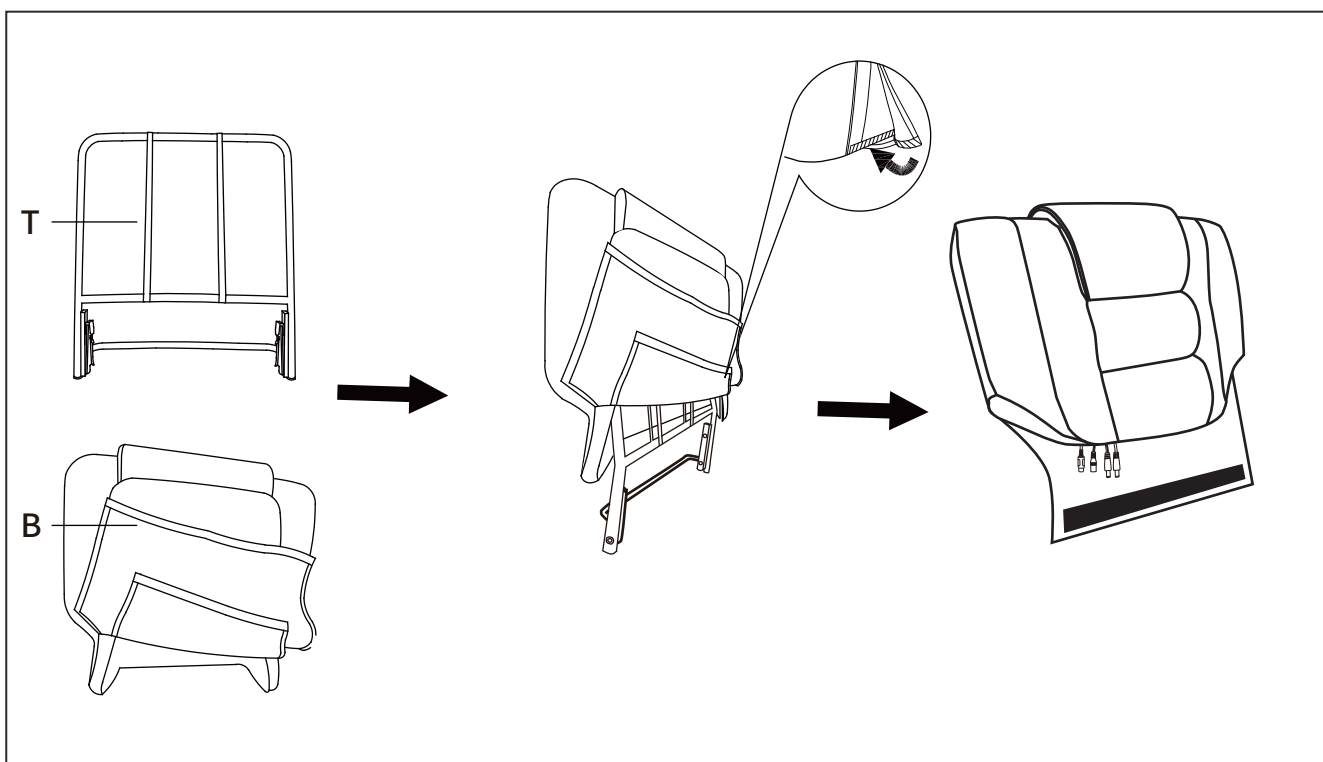
STEP 10: The velcro on the rack sticks to the bottom of the saddle, and the cool cloth at the back of the saddle goes through the frame pedal and sticks to velcro at the front of the saddle. (Note that the handle of the pull tab should be left exposed)



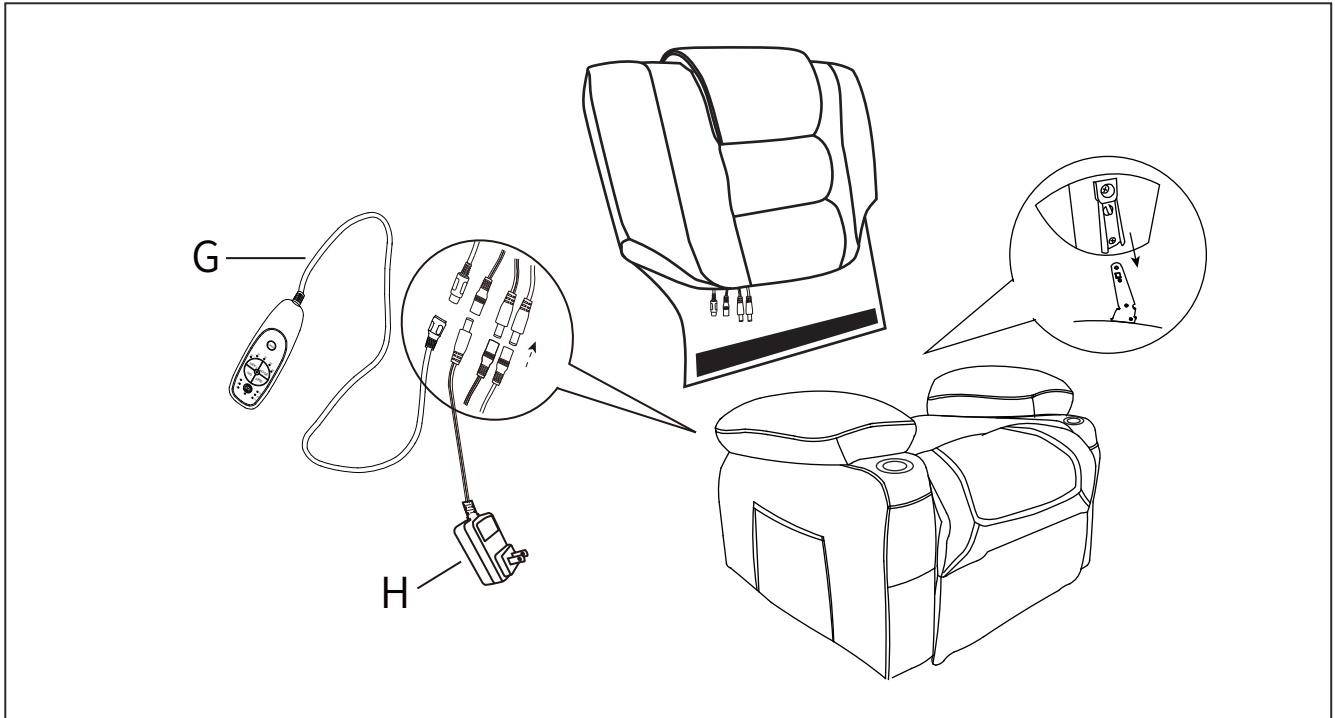
STEP 11: Open the compression bag and remove the back.



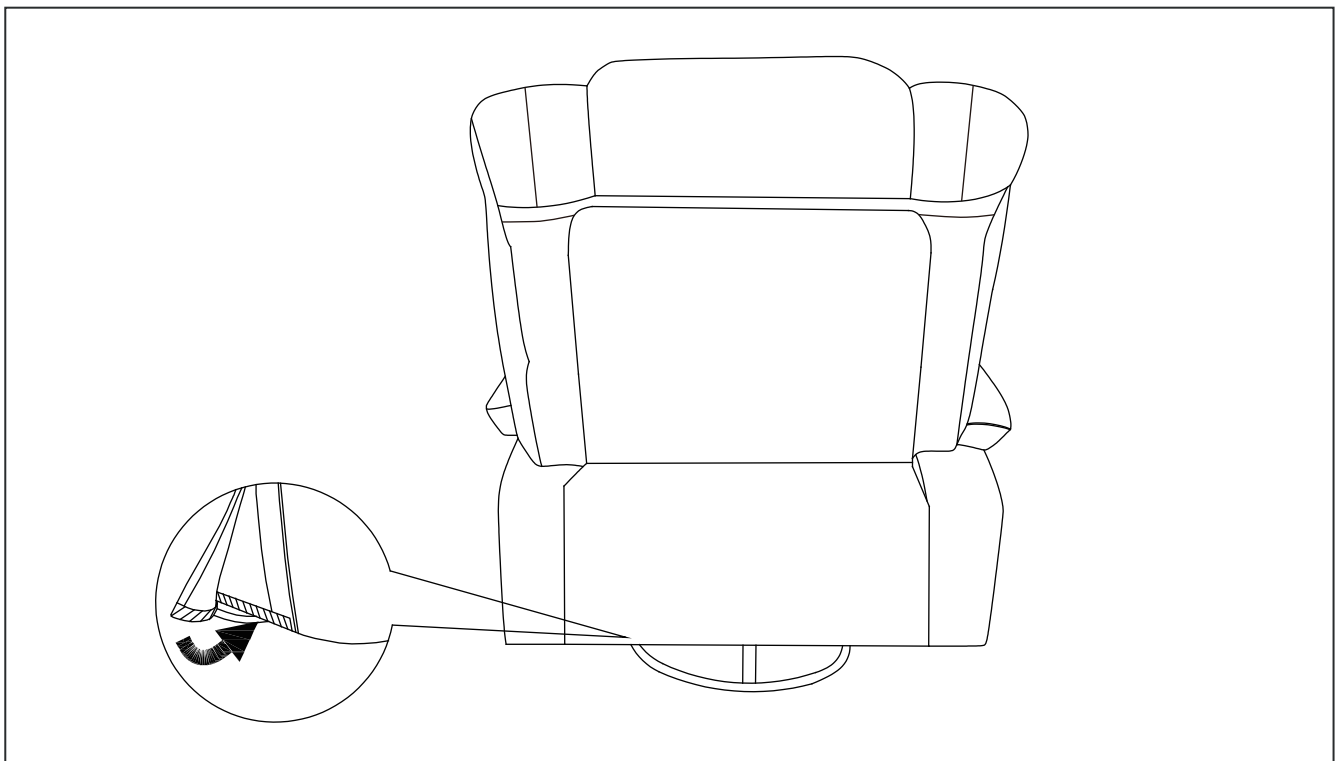
STEP 12: Tighten the backpack and frame, then attach them together by wrapping the bottom bar with velcro straps, pat them gently.



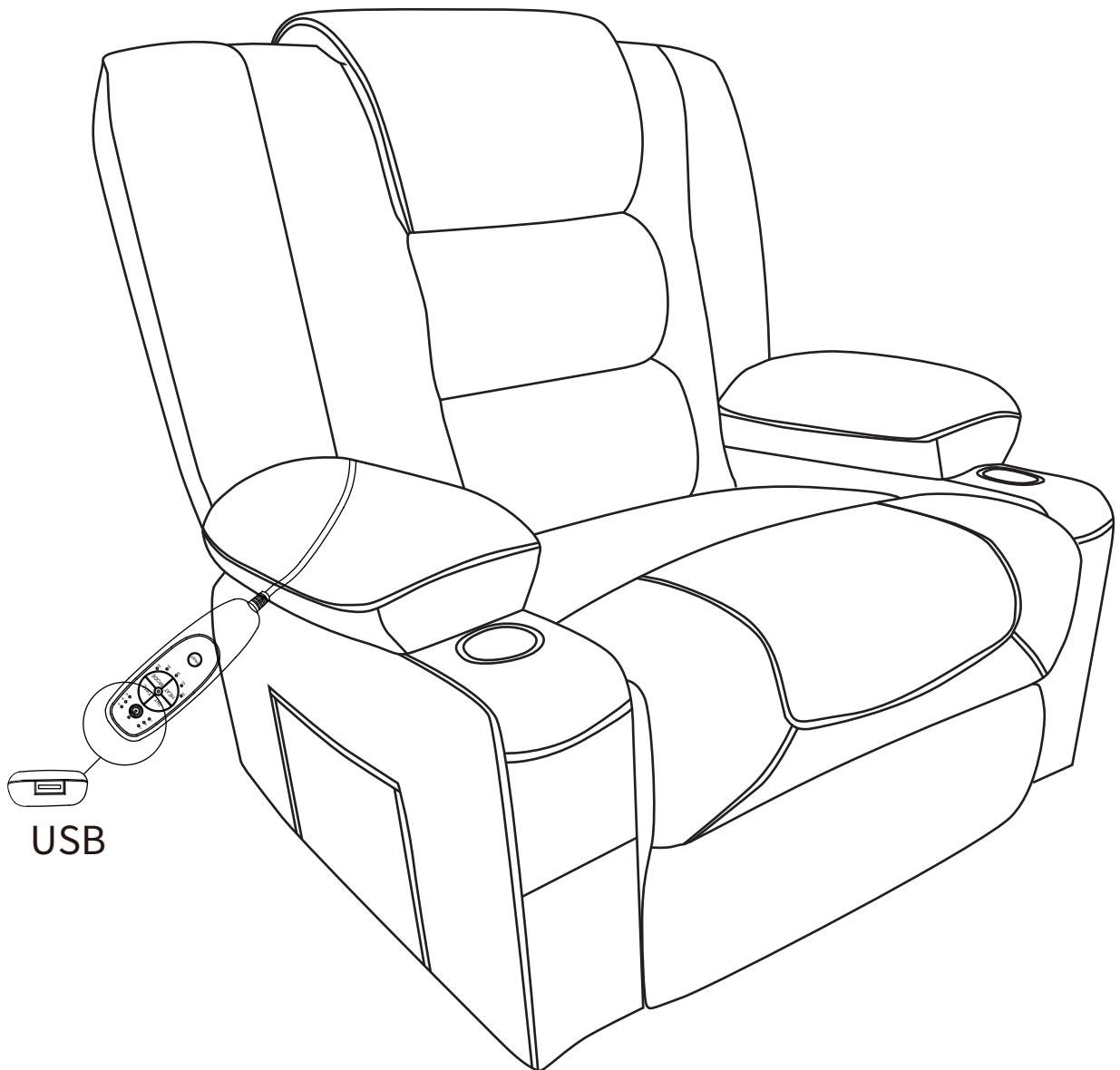
STEP 13: Plug the back pad into the seat frame, and then connect the massager line white and white, red and red, black and power lines, and the massager line with the hand controller. (Prompt: After inserting the plates separately, insert them to the bottom.)



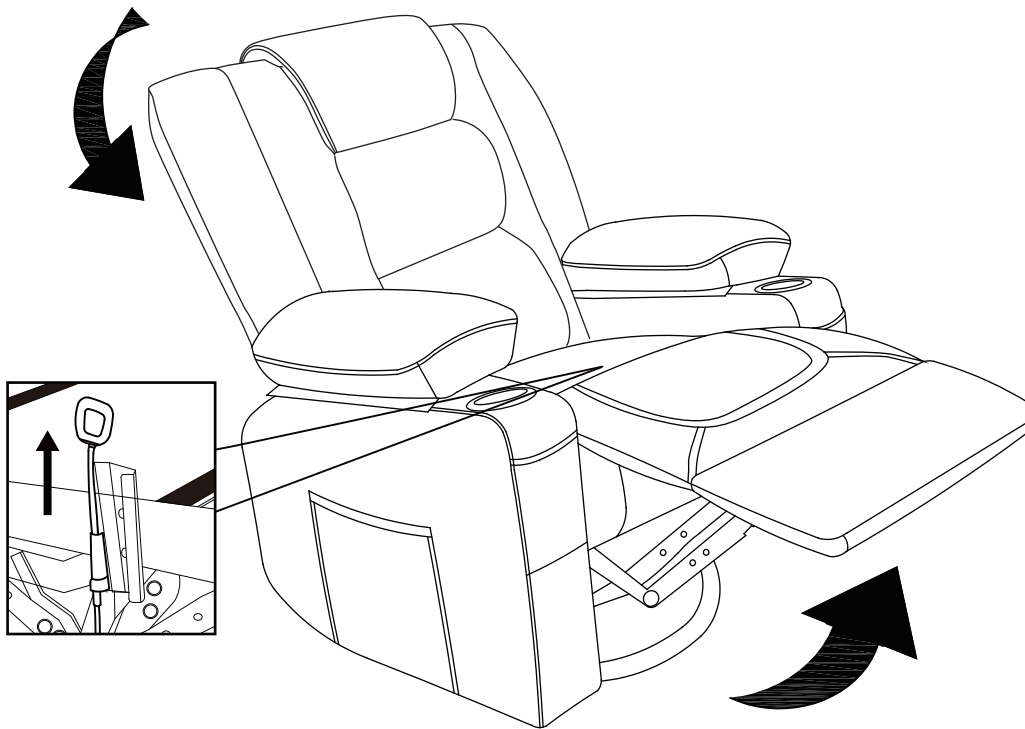
STEP 14: Stick the velcro from the back frame to the seat frame.



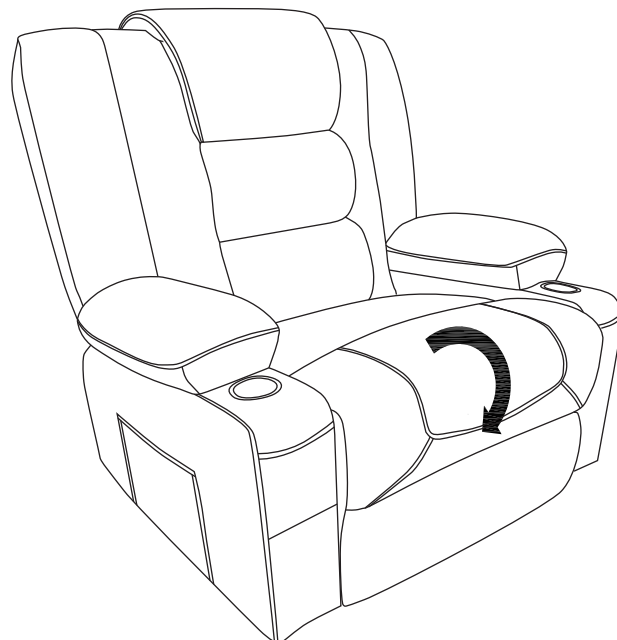
Congratulations! You've assembled
Your Sofa!



OPERATING INSTRUCTION



Pull the handle to spread out the sofa



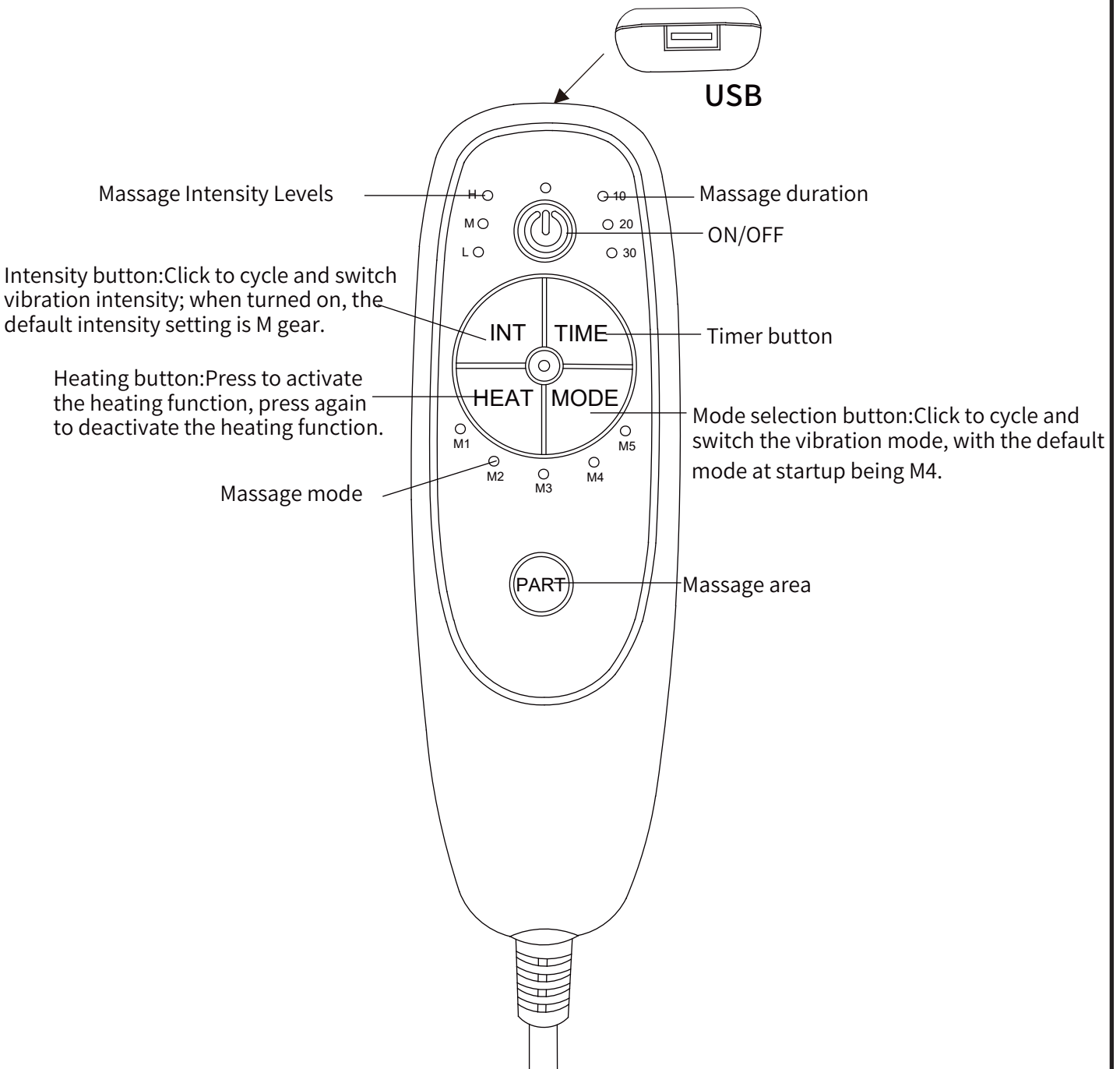
Pull back the sofa with your legs

MESSAGE CHAIR

READ ALL INSTRUCTIONS
BEFORE USING THE ITEM

REMOTE CONTROL

Function of remote



I 、 Specifications of power adapter

The power is on in the standby state. The user can activate the function via the hand controller.

Input:AC100-240V,50Hz/60HZ;Output:DC12V1A.

II 、 Product features

- 1、8 points massage
- 2、One-way switch for independent heating plate operation
- 3、Three-segment timing, with a default shutdown time of 10 minutes.
- 4、Three levels of vibration intensity
- 5、5 vibration modes

III、 Function details

- 1、Switch on and off
- 2、TIME: Cycling through massage durations (10/20/30min). Default startup is 10 minutes.
- 3、MODE: Tap the five vibration modes to switch (M1/M2/M3/M4/M5).The default startup mode is M4
- 4、INT: Switch intensity by vibration strength(H/M/L). Default startup is M(medium)
- 5、HEAT: Click to toggle heating.
- 6、PART: Vibration positioning key.Default startup is full vibration; tap to switch to single-part vibration.
- 7、Massage Intensity Levels
- 8、Massage duration
- 9、Massage mode

Warnings

1. Sit down in the chair gently. To avoid tipping over, do not throw yourself into the chair. Move the chair into the reclining position slowly, making sure that no children or pets are in close proximity. Do not allow children to play on or around the chair, particularly when it is in an open position.
2. Close the recliner completely before getting out of it.
3. Never sit on the footrest when it is open, even if it is a child.
4. To eliminate the risk of tipping over, do not sit on the arms or footrest of the chair.
5. This chair is designed to be used by 1 adult at a time.
6. Please forbid people with the following ailments from using this sofa: Those people with severe symptoms of heart disease, high blood pressure, cerebral thrombosis and others who are sensitive to heat or completely insensitive to heat, those with brittle bones or have issues with waist support pregnant women, children and others where it has been determined they are not suitable to use this product under the guidance of doctors.
7. To fully recline the sofa, ensure the sofa well, you need to put the sofa at least 19 inches away from the wall or any other obstacle.
8. Product cannot touch water, fire, etc. Product can also not come in contact with sharp objects (knives, nails, etc.)

Maintenance Manual Instructions

1. To avoid dropping, you should carry the sofa carefully.
2. If you find dirt and or stains on the chair, spray the sofa with a sofa specific cleaner then use a sponge or cloth to wipe the dirt away. Do not use water, soapy water or cleaner with waxed wooden areas. Take care to wipe the sofa carefully and gently.
3. Do not put the sofa in an area with direct sunlight and do not put the sofa directly in front of an air conditioner, this will fade the upholstery and make it brittle.

How to Disassemble

Please find a strong tool to prod the small piece of metal grooves, then the backrest will be pulled out. The tool is not included.

