

Suggestion:

For a simpler and quicker assembly process,
we recommend that two people work together.

Due to the product's structure, the estimated assembly time is 60 minutes.

IMPORTANT:





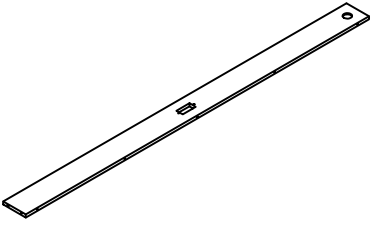
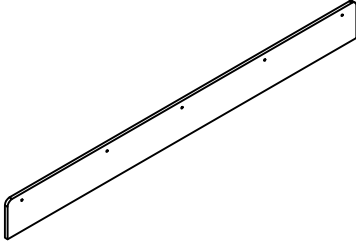
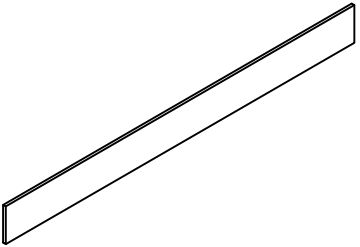

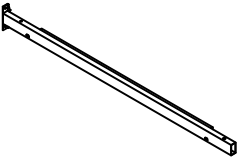
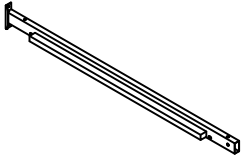
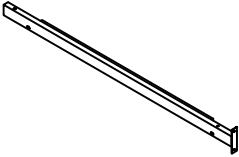
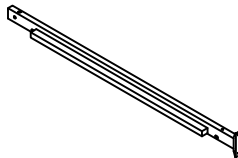
1. Please read the instructions carefully before assembling the product.
2. Before starting the assembly process, check the package carefully to make sure all necessary boards and parts are included.
3. If there are any defective or missing parts after unpacking, please stop assembly and immediately contact us.
4. Before assembly, put all parts and boards in an open area. Ensure that you have the correct parts before screwing them in place.

Warning:

1. During assembly, keep all small objects out of the reach of children, as they may be fatal if swallowed or inhaled
2. Never allow children to climb or play around the product to protect children from injury caused by the tilting of the product.
3. To avoid the potential dangers of suffocation, please keep all parts and packaging away from children.

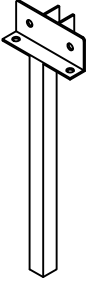
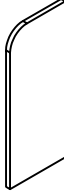

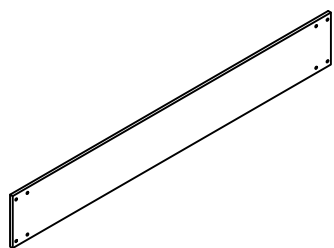

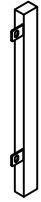
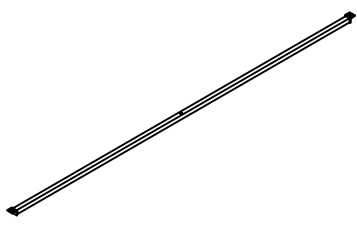
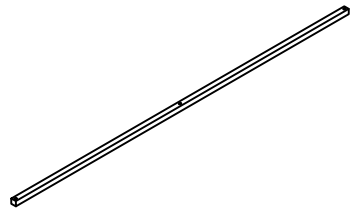
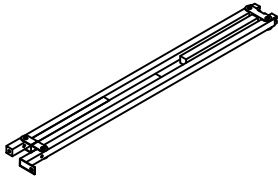
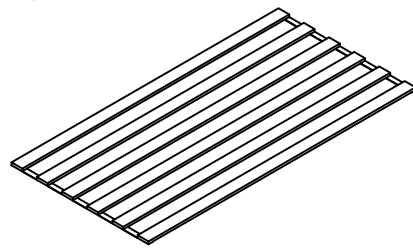
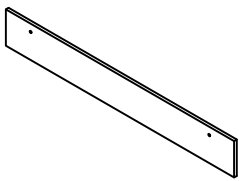
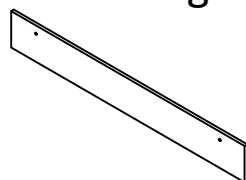
Parts Identification 1/2

Not actual size

<p>①</p>  <p>Q'ty: 1</p>	<p>②</p>  <p>Q'ty: 1</p>	<p>③</p>  <p>Q'ty: 1</p>
<p>④</p>  <p>Q'ty: 1</p>	<p>⑤</p>  <p>Q'ty: 1</p>	<p>⑥</p>  <p>Q'ty: 1</p>
<p>⑦</p>  <p>Q'ty: 3</p>	<p>⑧</p>  <p>Q'ty: 1</p>	<p>⑨</p>  <p>Q'ty: 1</p>
<p>⑩</p>  <p>Q'ty: 1</p>	<p>⑪</p>  <p>Q'ty: 1</p>	<p>⑫</p>  <p>Q'ty: 1</p>

Parts Identification 2/2

Not actual size

<p>13</p>  <p>Q'ty: 2</p>	<p>14</p>  <p>Q'ty: 1</p>	<p>15</p>  <p>Q'ty: 1</p>
<p>16</p>  <p>Q'ty: 1</p>	<p>17</p>  <p>Q'ty: 1</p>	<p>18</p>  <p>Q'ty: 1</p>
<p>19</p>  <p>Q'ty: 2</p>	<p>20</p>  <p>Q'ty: 1</p>	<p>21</p>  <p>Q'ty: 1</p>
<p>22</p>  <p>Q'ty: 2</p>	<p>23</p>  <p>Q'ty: 2</p>	<p>24</p> <p>long</p>  <p>Q'ty: 2</p>

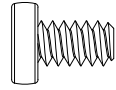
Hardware List



Ø5 x 38mm

(A)

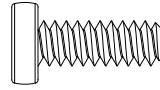
x 9+1



Ø1/4" x 11mm

(B)

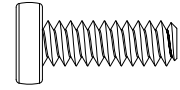
x 15+1



Ø1/4" x 16mm

(C)

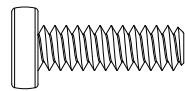
x 8+1



Ø1/4" x 20mm

(D)

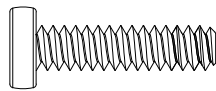
x 8+1



Ø1/4" x 28mm

(E)

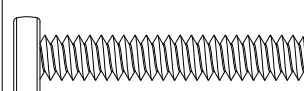
x 12+1



Ø1/4" x 33mm

(F)

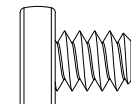
x 18+1



Ø1/4" x 50mm

(G)

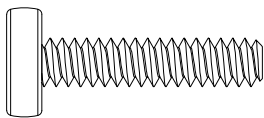
x 4+1



M8 x 28mm

(H)

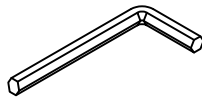
x 2+1



M8 x 50mm

(I)

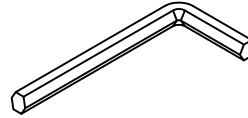
x 4+1



M4

(J)

x 1



M5

(K)

x 1



M3

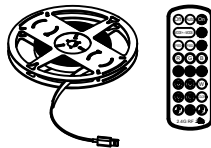
(L)

x 1



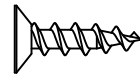
(M)

x 1



(N)

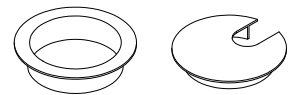
x 1



Ø3 x 12mm

(O)

x 2+1



(P)

x 1

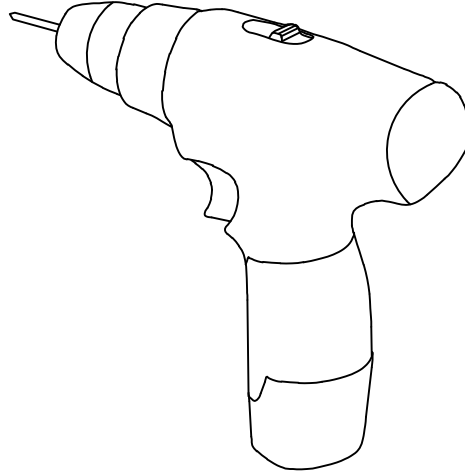
★ In many cases, we include additional hardware. So after following the assembly instructions, don't worry if there are still extra pieces left over—they're included as a "just in case" for your convenience.

★ NOTE: When assembling, please do not tighten the screws one by one completely first, until making sure that all the corresponding screws are placed in the right positions.

Self equipped tools



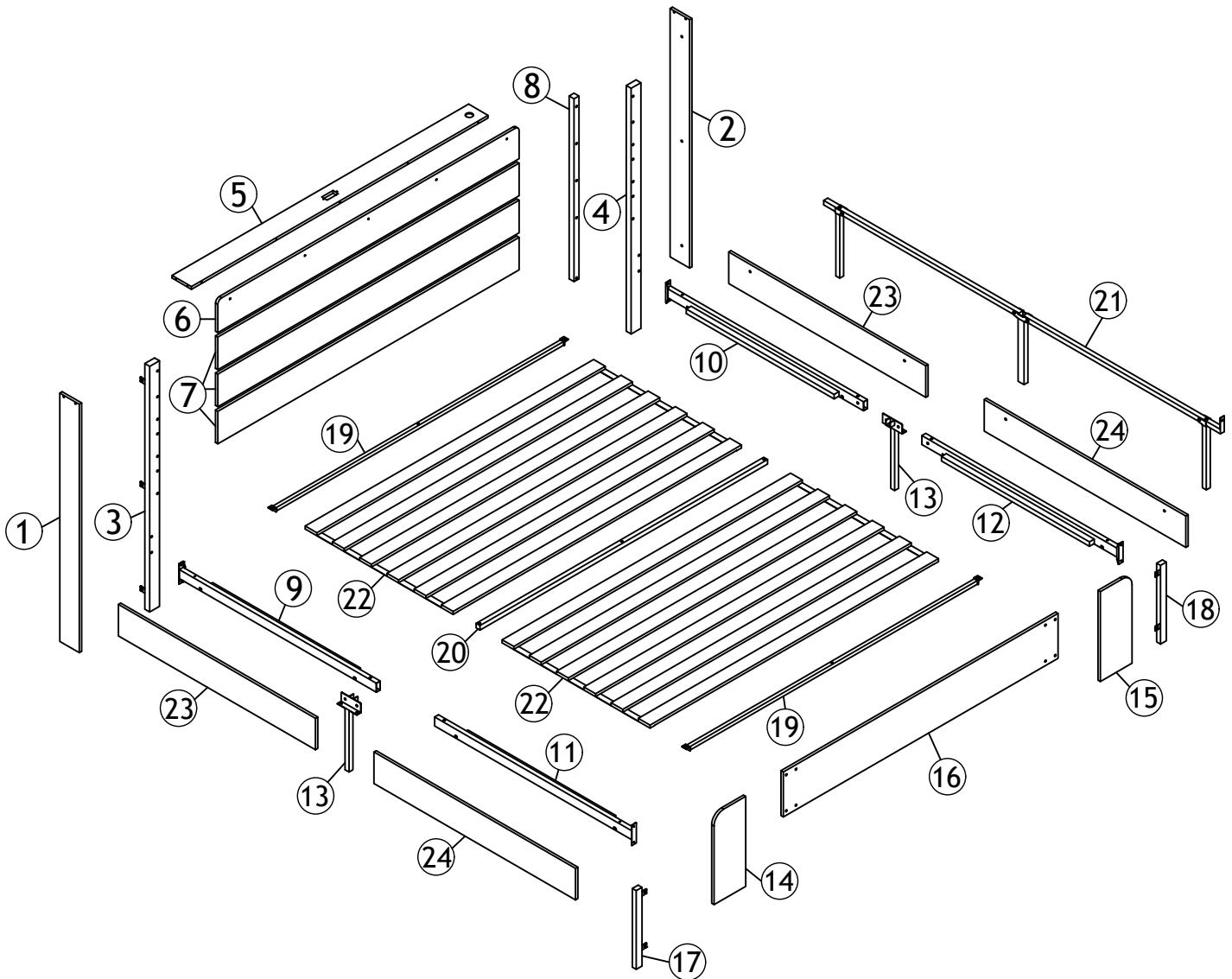
Cross Screwdriver
(Not included)



Electric Drill
(Not included)

Parts Identification

Not actual size


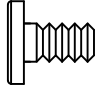
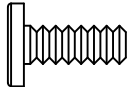


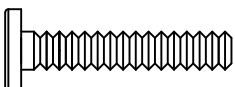
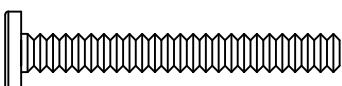


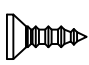


ATTENTION


When you begin each step, please check carefully whether you have taken the correct parts, so as not to use the wrong parts and cause the wrong assembly.

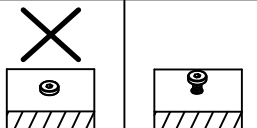
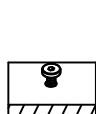
We recommend that you do not rush to tighten the screws. It is best to tighten the screws to two-thirds first, after all the steps are finished and the position is well adjusted, then tighten.

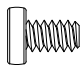
Screw Fitting 1:1 Diagram


A		Ø5 x 38mm
B		Ø1/4" x 11mm
C		Ø1/4" x 16mm
D		Ø1/4" x 20mm
E		Ø1/4" x 28mm
F		Ø1/4" x 33mm
G		Ø1/4" x 50mm
H		M8 x 28mm
I		M8 x 50mm
O		φ3 x 12mm

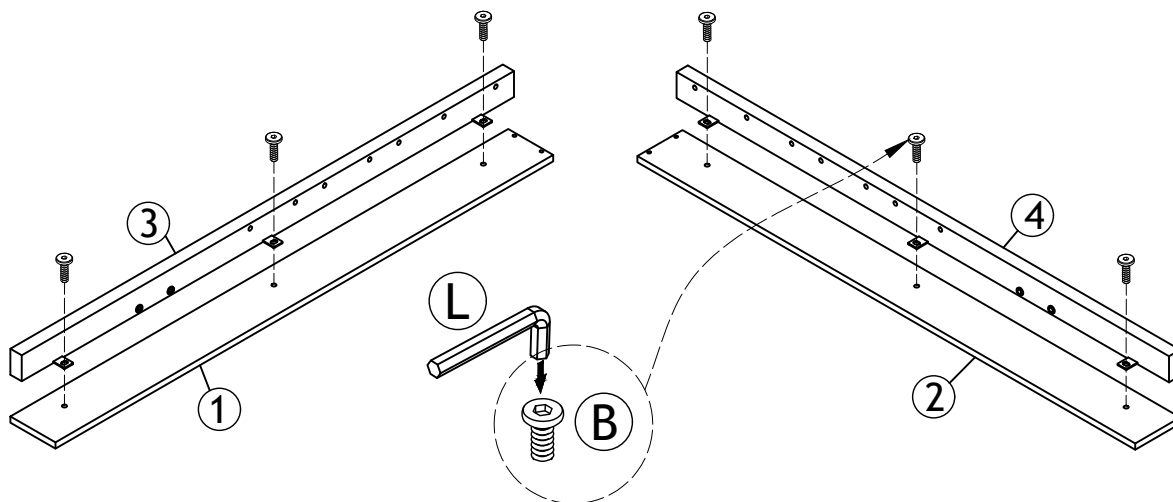
STEP 1

 Please tighten the bolts to 80% first, and tighten all bolts 100% after all parts are assembled.


	
---	---



Ø1/4" x 11mm
(B) x 6



M4
(J) x 1

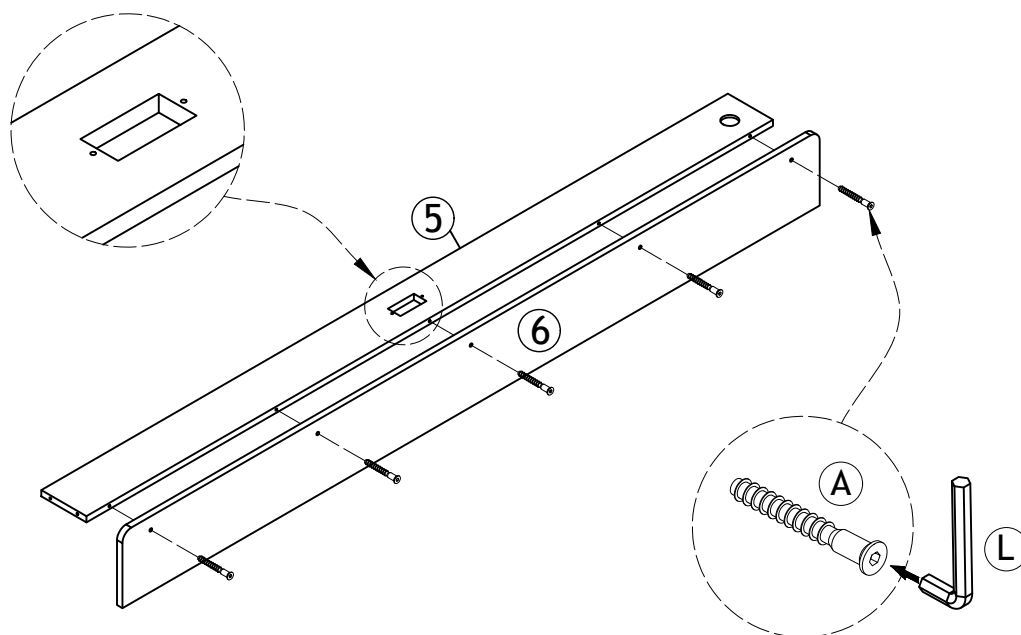


STEP 2


 Please screws in this step need to be tightened

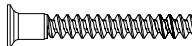

Ø5 x 38mm
(A) x 5



M3
(L) x 1

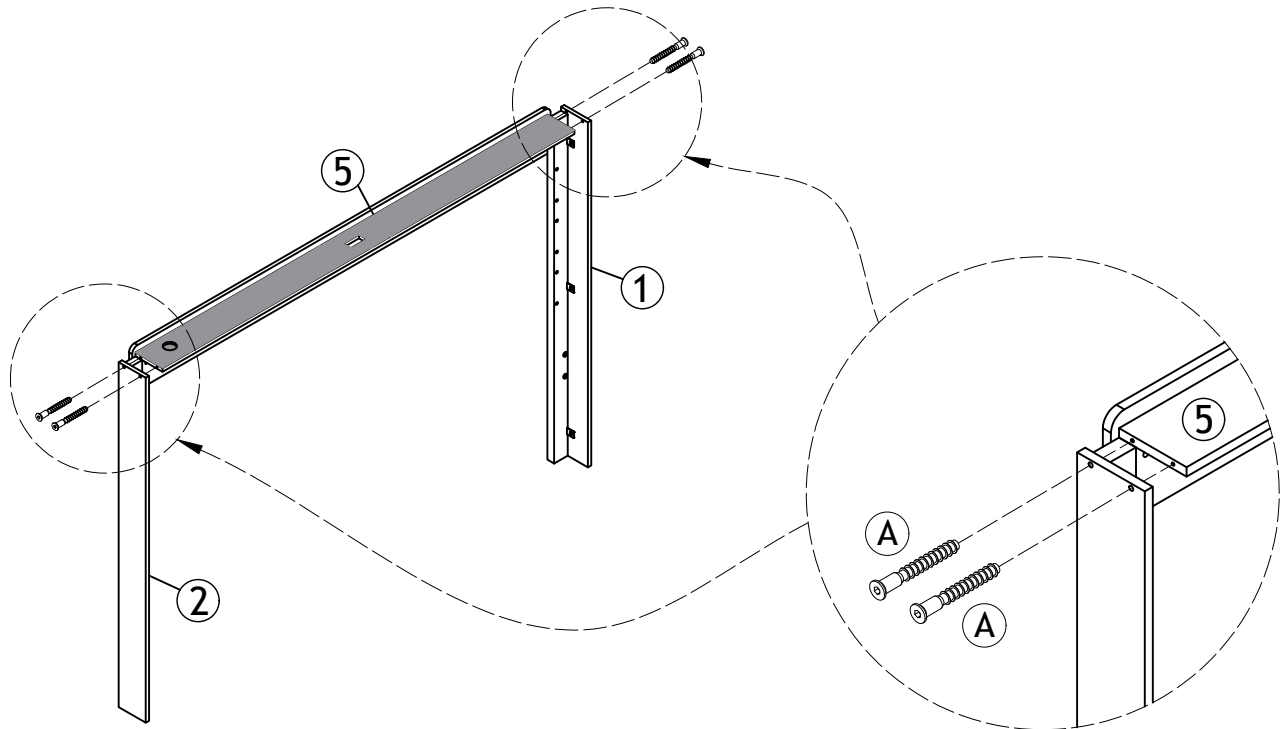


STEP 3


 Please screws in this step need to be tightened


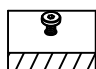

Ø5 x 38mm
(A) x 4



M3
(L) x 1




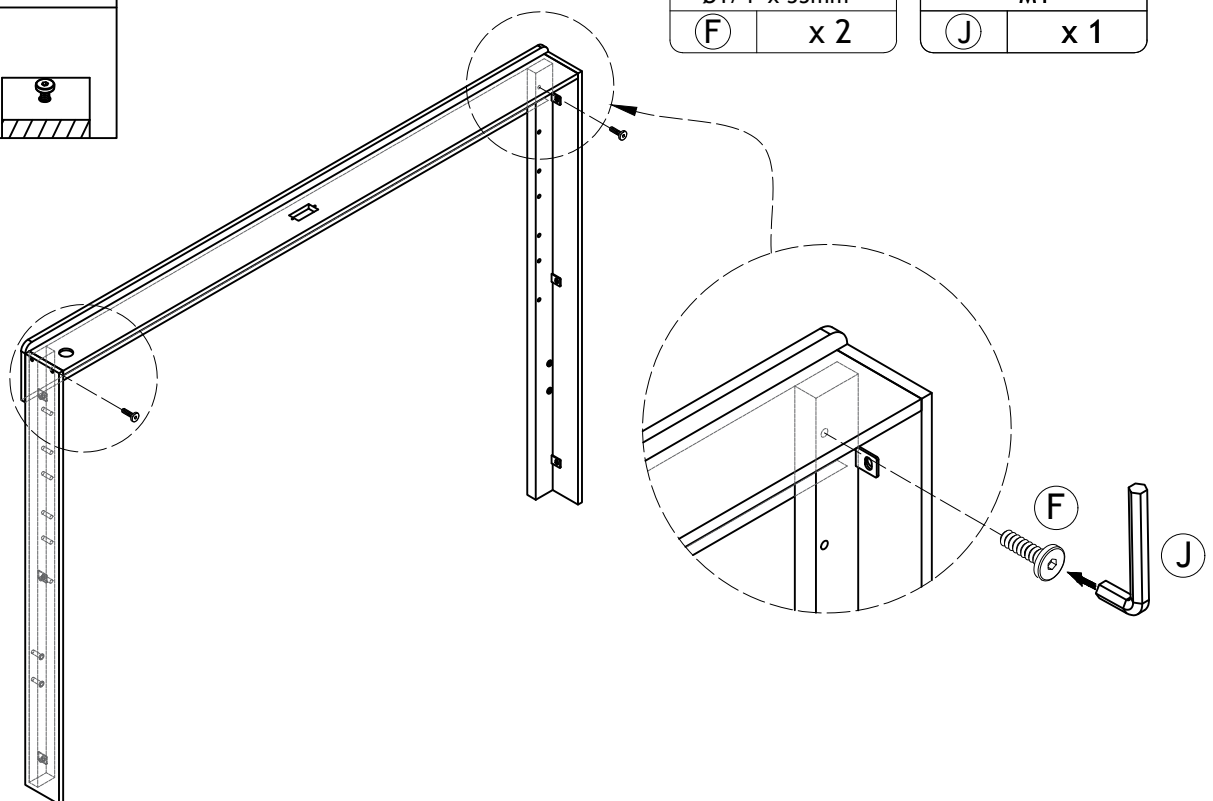
STEP 4

 Please tighten the bolts to 80% first, and tighten all bolts 100% after all parts are assembled.


	
---	---

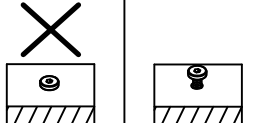


Ø1/4" x 33mm
(F) x 2


M4
(J) x 1




STEP 5

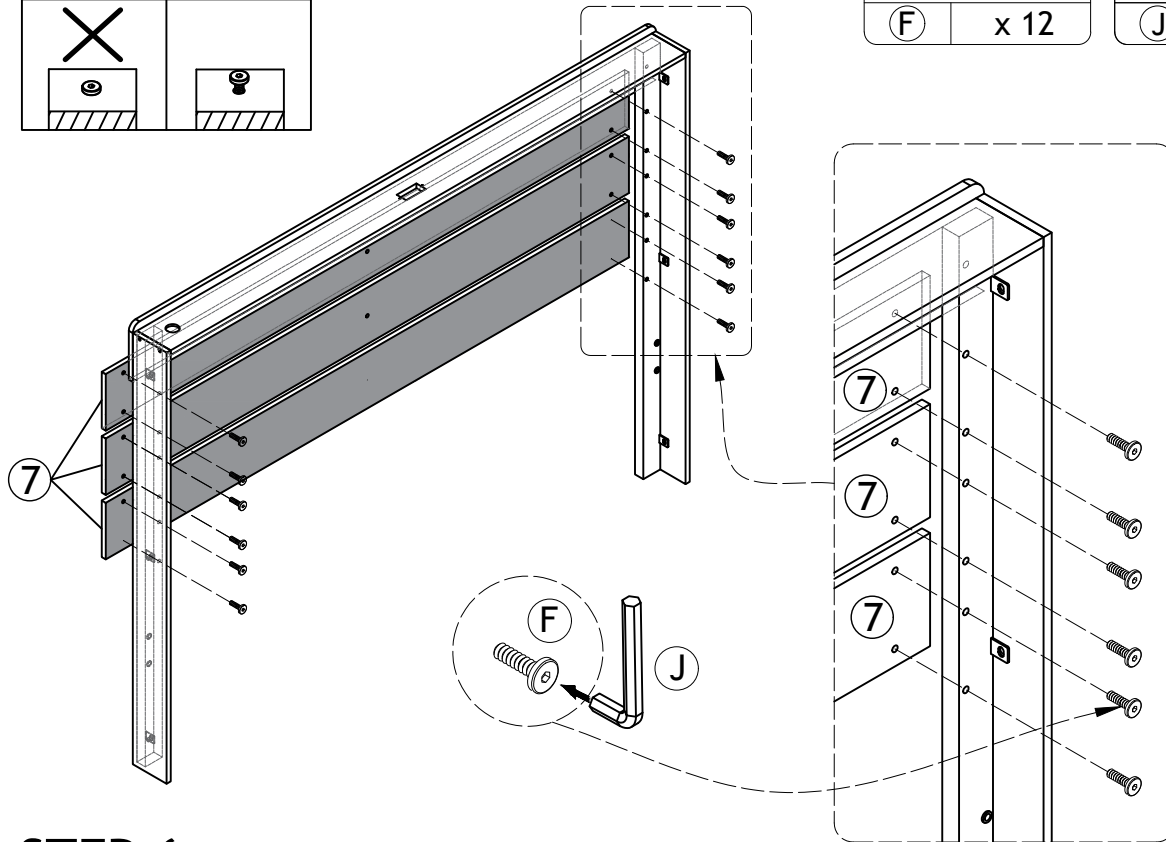

 Please tighten the bolts to 80% first, and tighten all bolts 100% after all parts are assembled.


$\text{Ø}1/4" \times 33\text{mm}$
(F) x 12

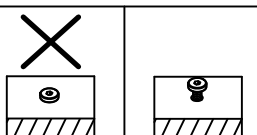



M4
(J) x 1




STEP 6

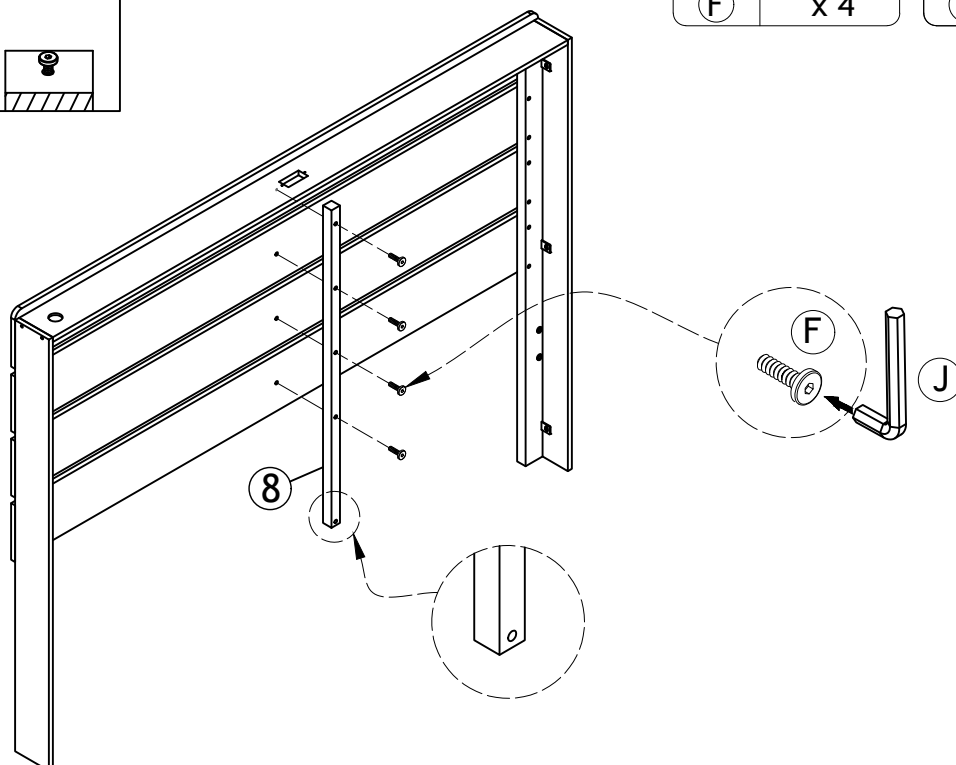

 Please tighten the bolts to 80% first, and tighten all bolts 100% after all parts are assembled.

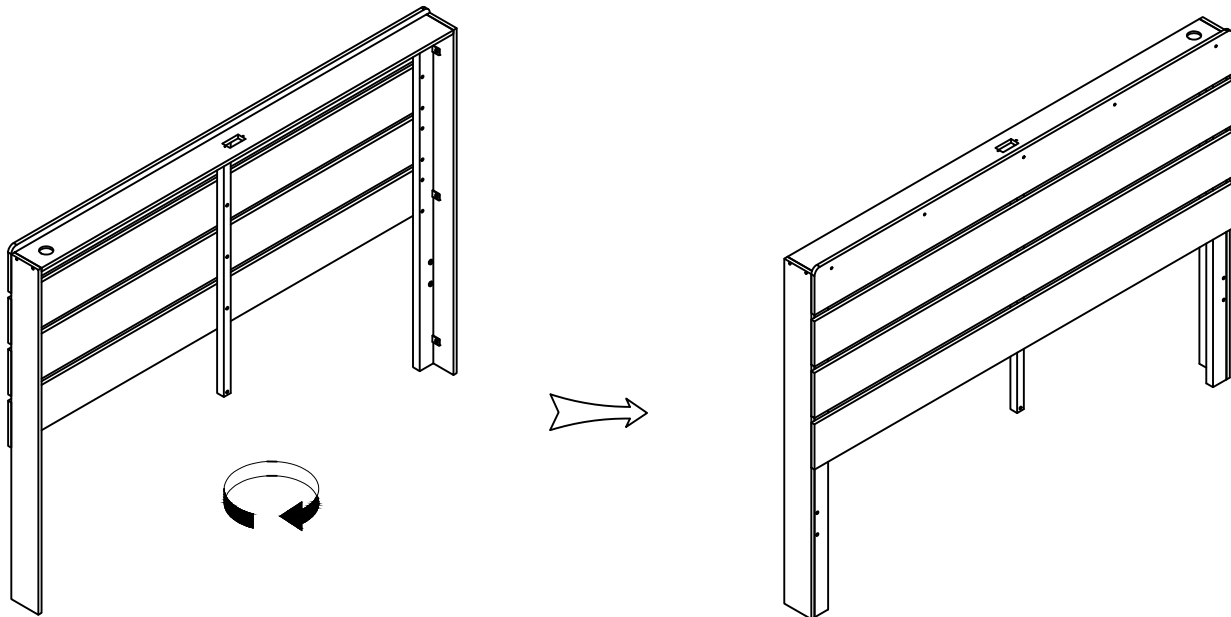
$\text{Ø}1/4" \times 33\text{mm}$
(F) x 4




M4
(J) x 1


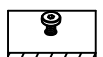


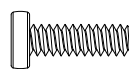
STEP 7




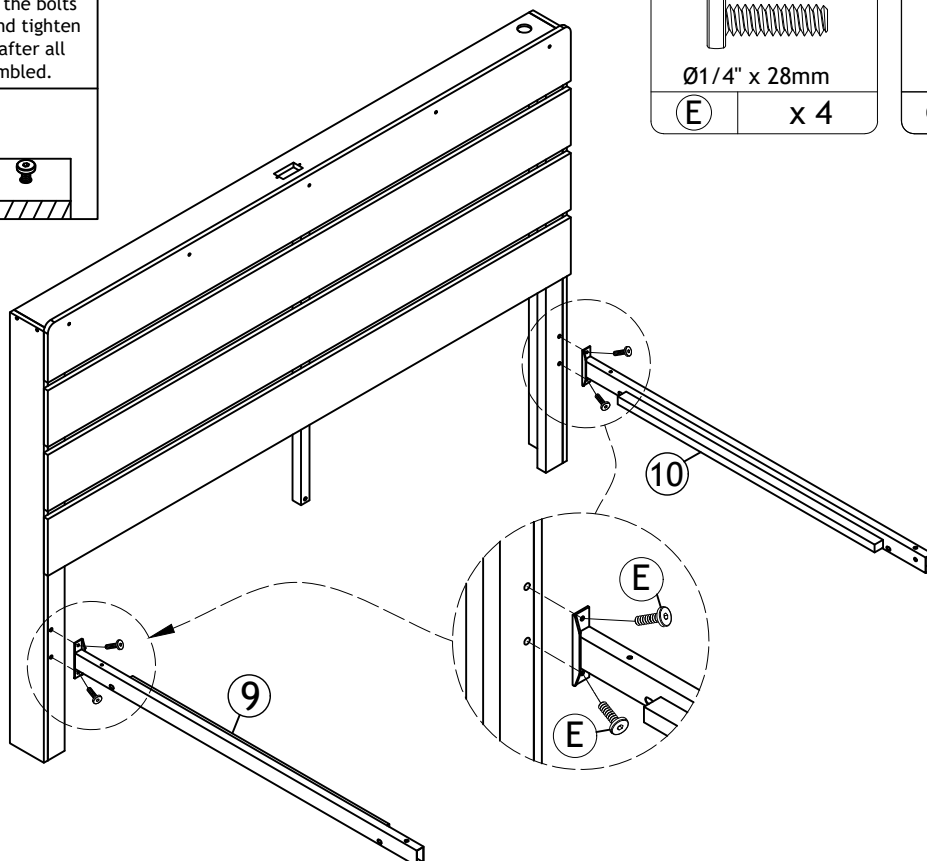
STEP 8

 Please tighten the bolts to 80% first, and tighten all bolts 100% after all parts are assembled.


	
---	---

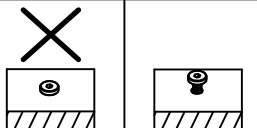
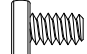

Ø1/4" x 28mm
(E) x 4


M4
(J) x 1




STEP 9

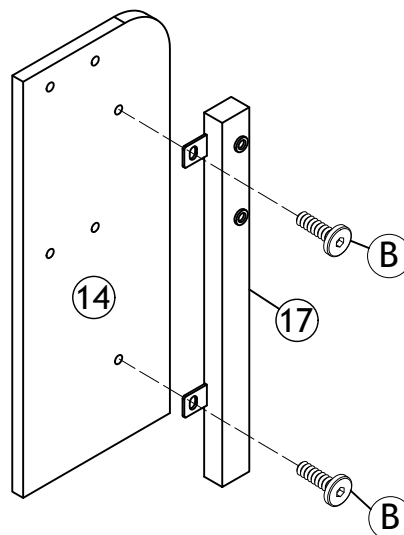
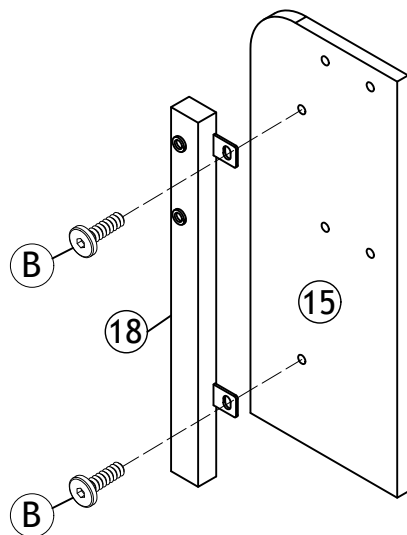
 Please tighten the bolts to 80% first, and tighten all bolts 100% after all parts are assembled.


$\text{Ø}1/4" \times 11\text{mm}$
(B) x 4

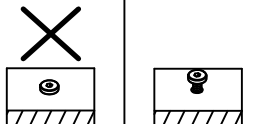
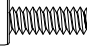


M4
(J) x 1




STEP 10

 Please tighten the bolts to 80% first, and tighten all bolts 100% after all parts are assembled.

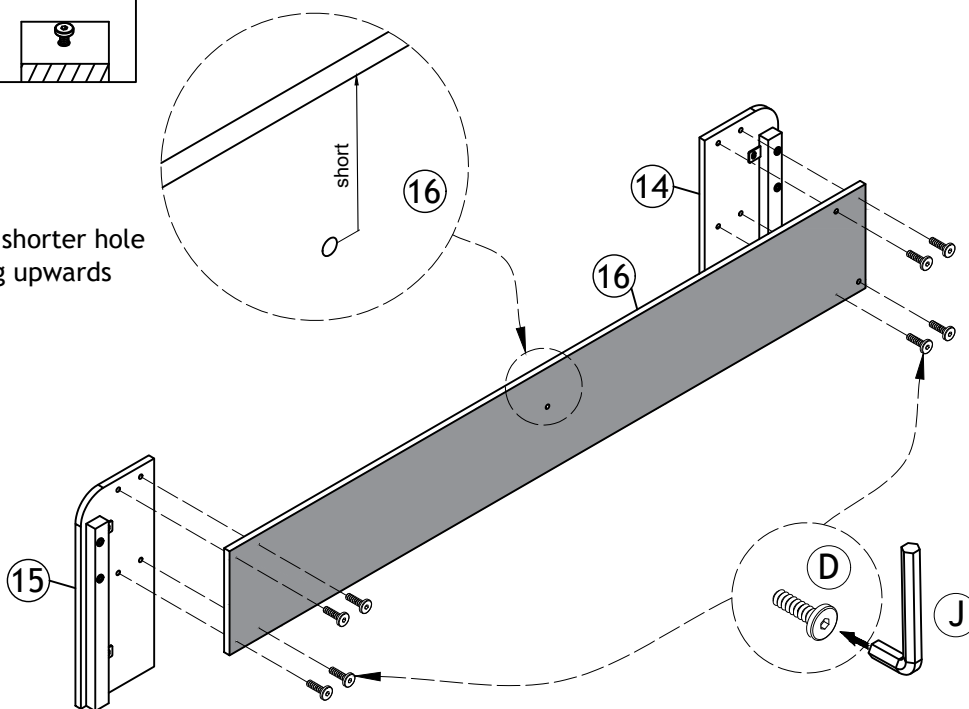



$\text{Ø}1/4" \times 20\text{mm}$
(D) x 8




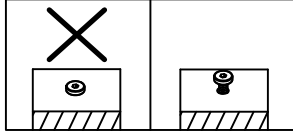
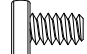
M4
(J) x 1

The side with a shorter hole spacing is facing upwards




STEP 11

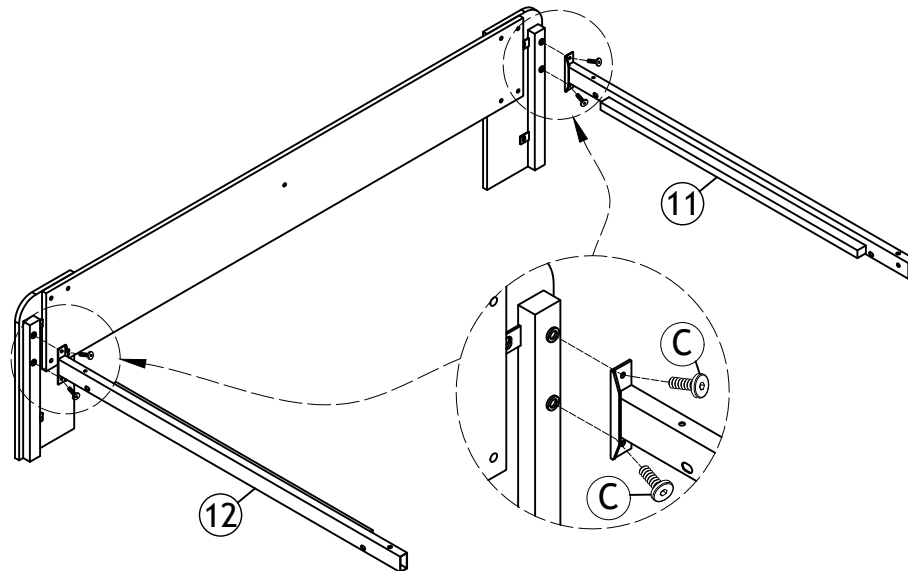

 Please tighten the bolts to 80% first, and tighten all bolts 100% after all parts are assembled.


$\text{Ø}1/4" \times 16\text{mm}$
 (C) x 4

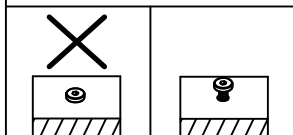
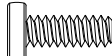


M4
 (J) x 1




STEP 12



 Please tighten the bolts to 80% first, and tighten all bolts 100% after all parts are assembled.


$\text{Ø}1/4" \times 16\text{mm}$
 (C) x 4



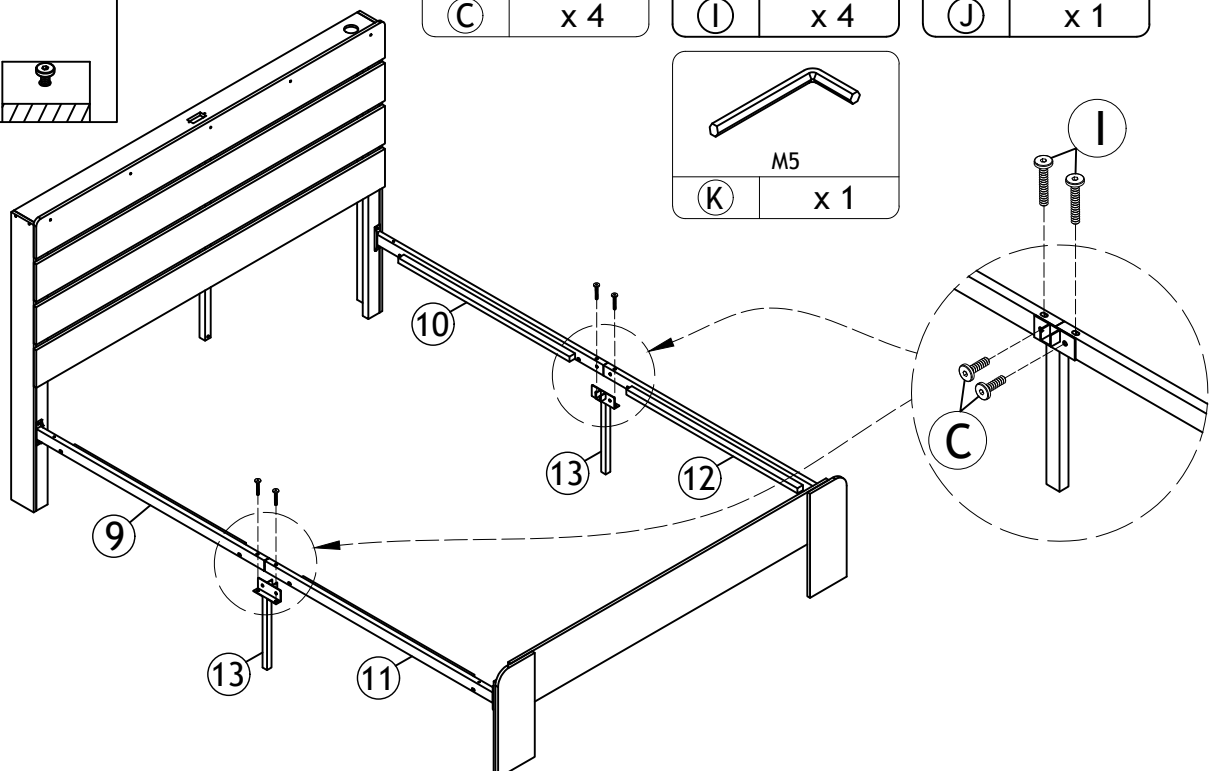
M8 x 50mm
 (I) x 4




M4
 (J) x 1

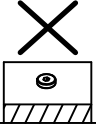
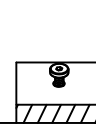


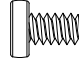
M5
 (K) x 1




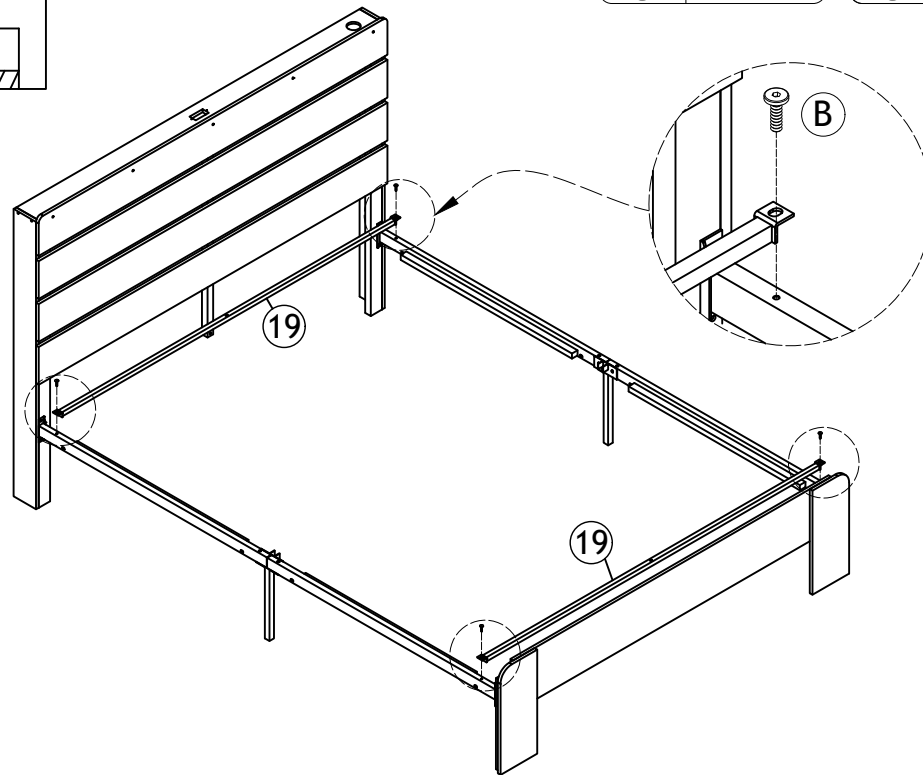
STEP 13

 Please tighten the bolts to 80% first, and tighten all bolts 100% after all parts are assembled.

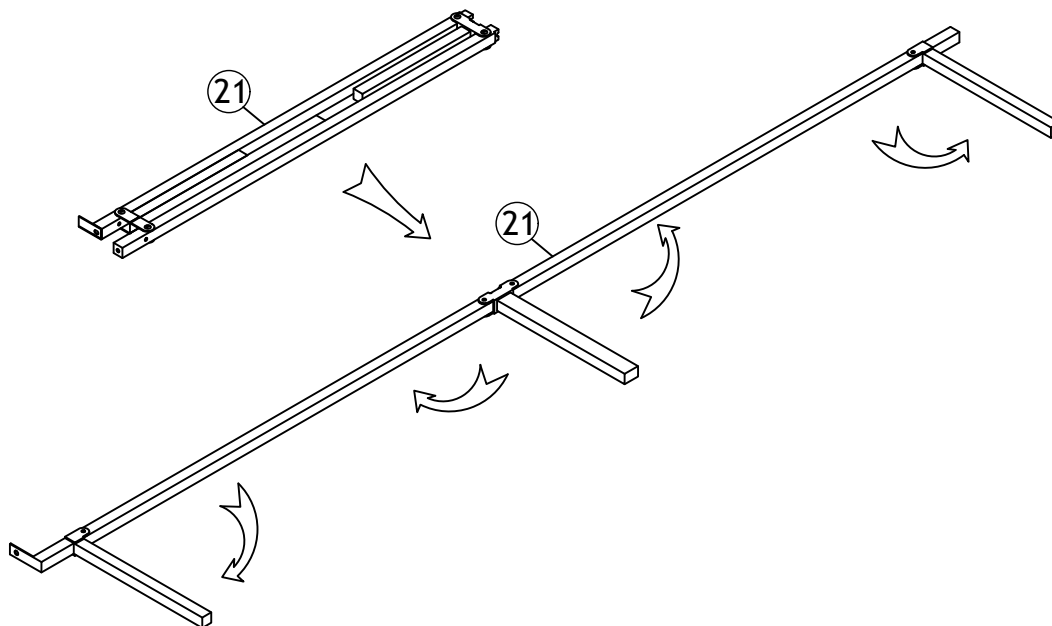
	
---	---


Ø1/4" x 11mm
(B) x 4


M4
(J) x 1



STEP 14



Expand the folded portion

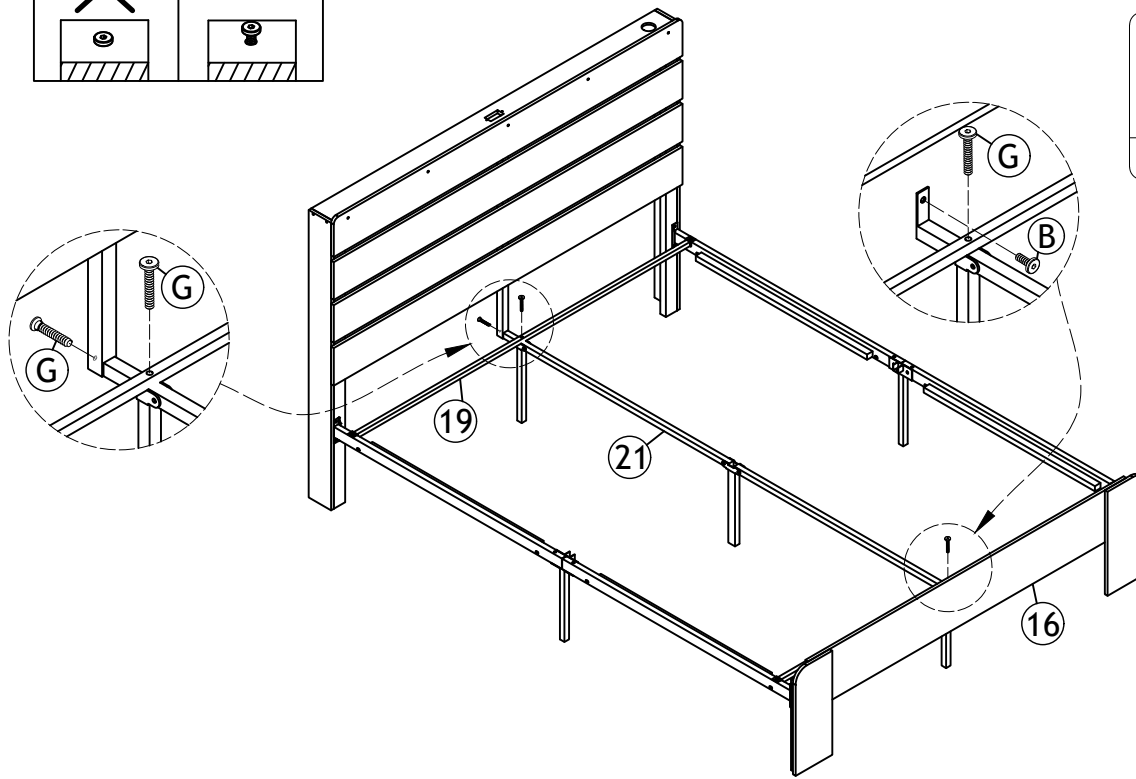
STEP 15

⚠ Please tighten the bolts to 80% first, and tighten all bolts 100% after all parts are assembled.

Ø1/4" x 50mm
G x 3

M4
J x 1

Ø1/4" x 11mm
B x 1



STEP 16

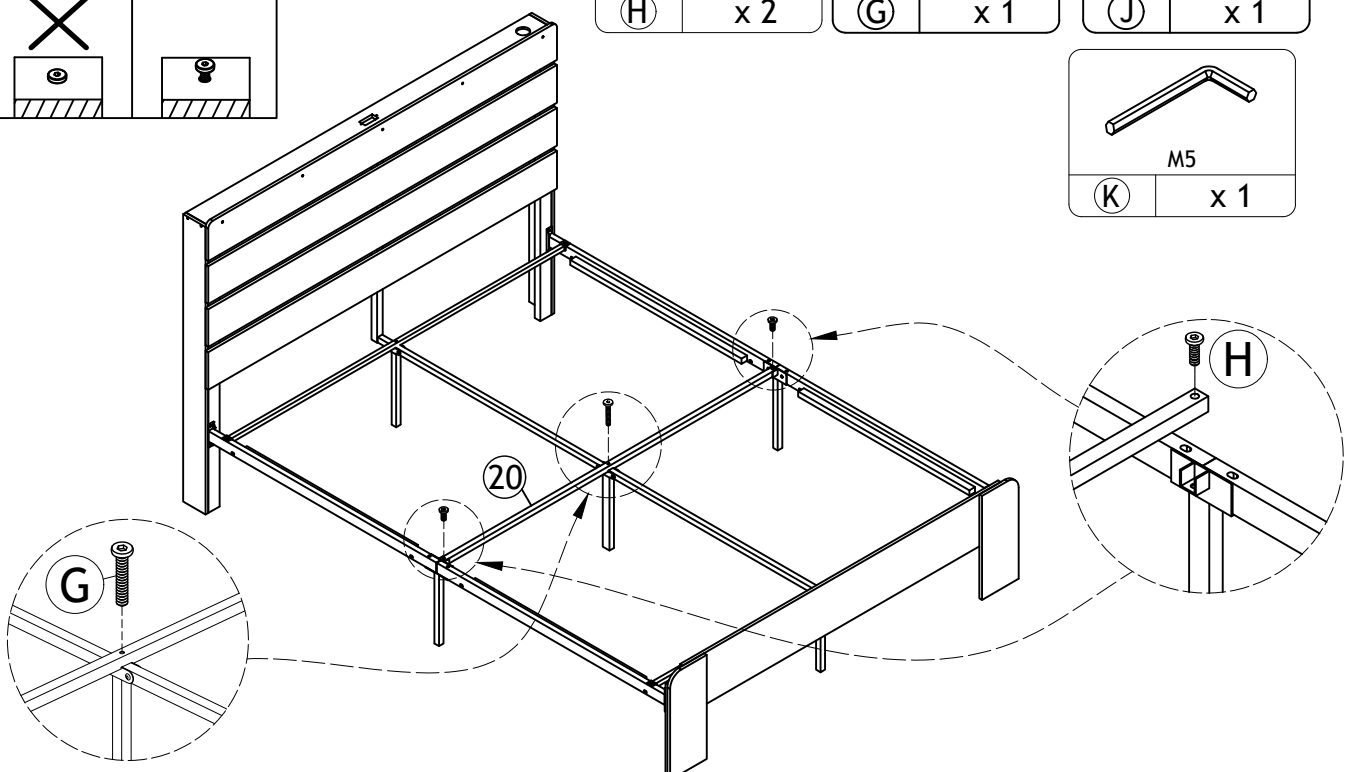
⚠ Please tighten the bolts to 80% first, and tighten all bolts 100% after all parts are assembled.

M8 x 28mm
H x 2


Ø1/4" x 50mm
G x 1

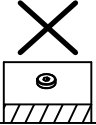
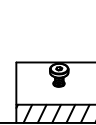
M4
J x 1


M5
K x 1




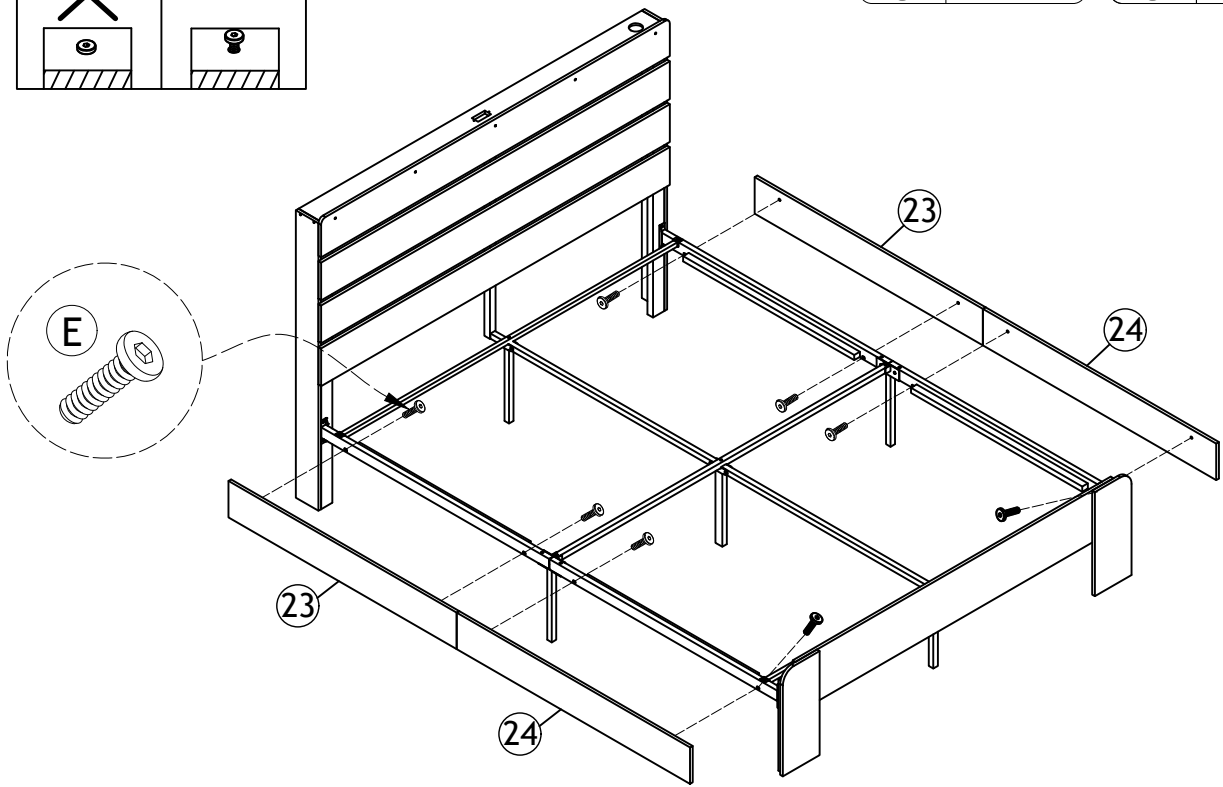
STEP 17

 Please tighten the bolts to 80% first, and tighten all bolts 100% after all parts are assembled.

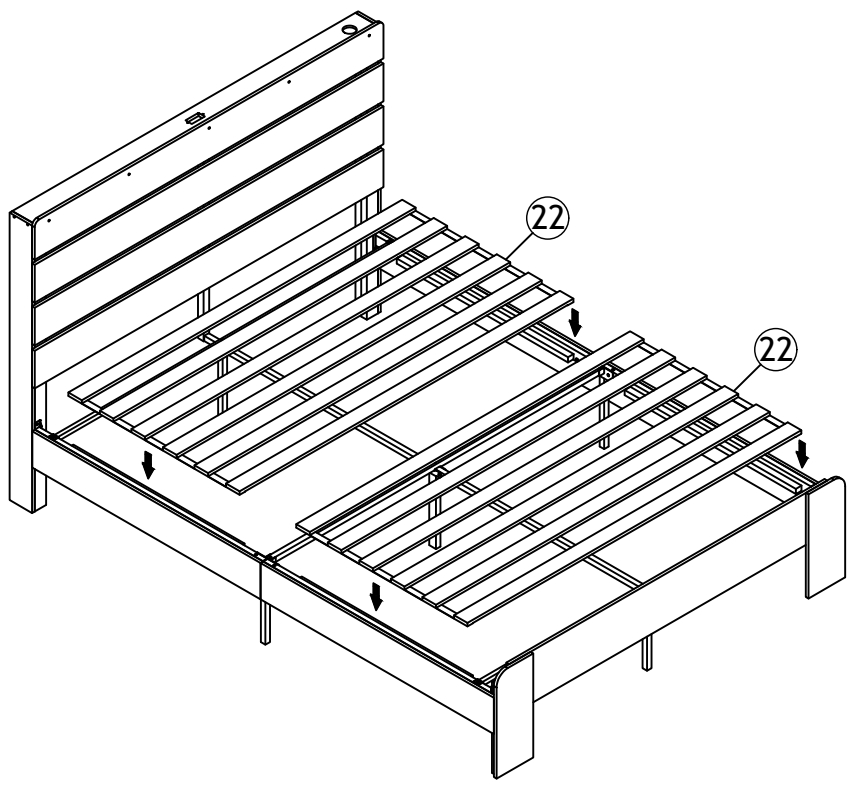
	
---	---


Ø1/4" x 28mm
(E) x 8



M4
(J) x 1




STEP 18

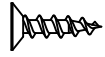


STEP 19

 Please screws in this step need to be tightened

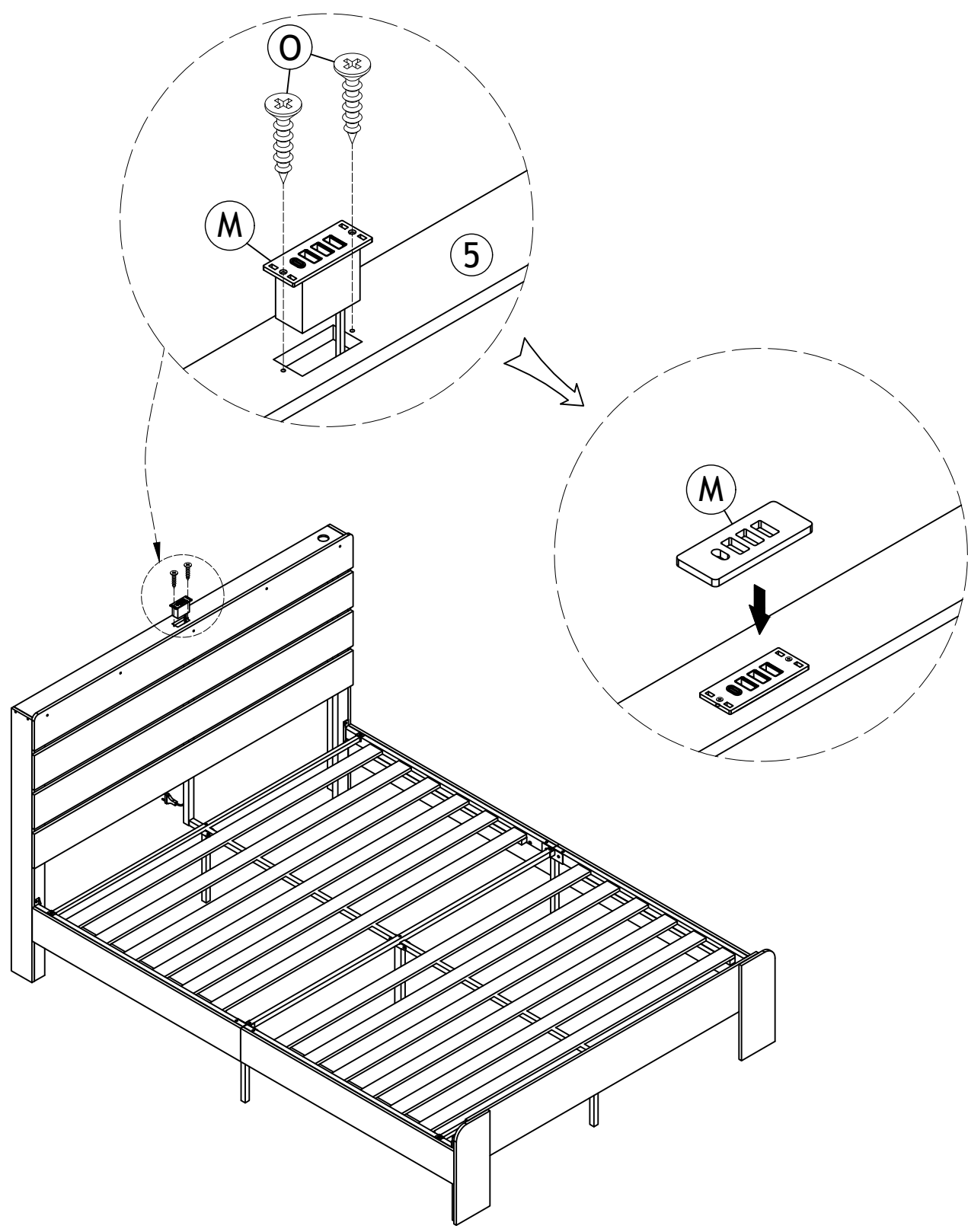


(M)	x 1
-----	-----

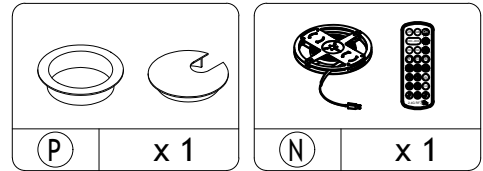
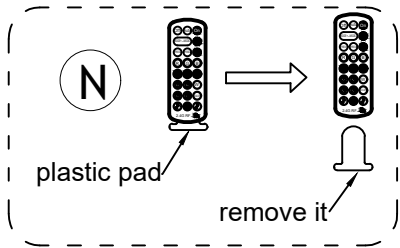


Ø3 x 12mm

(O)	x 2
-----	-----

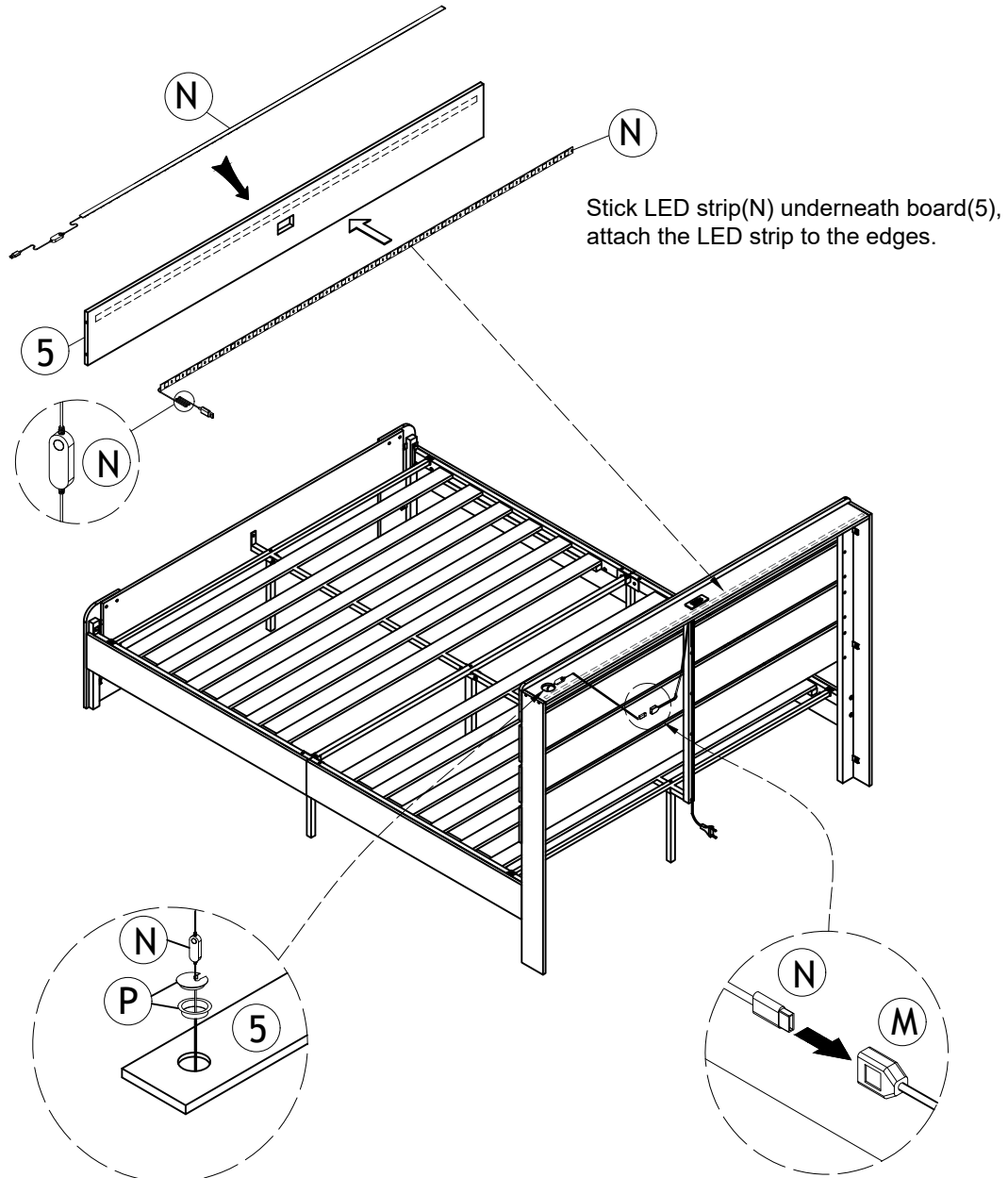


STEP 20



Please pull the plastic block out of the remote control.

Please ensure all screws on the bed frame are securely tightened.



Stick LED strip(N) underneath board(5), attach the LED strip to the edges.

The LED switch is free to put onto or hidden underneath the board.

Congratulation:

Congratulations to you on completing the assembly of the product through your own efforts, you have done a great job.

The assembly of this product may have been difficult, but you still had the patience and perseverance to get it done.

Notes:

1. The product is designed for indoor use only and must be assembled and used according to the provided manual. Modifying or altering the product from its original design may result in personal injury or damage to the product.

Product Maintenance:

1. Please place this item on the level solid ground.
2. Avoid long-term exposure to humid environments to prevent mildew.
3. Keep the product away from high temperature environments or fire sources.
4. If accidentally spill water or another liquid on the surface, immediately wipe with a dry towel.
5. Regularly inspect the tightness of screws while using the product. If necessary, re-tighten to ensure structural stability.