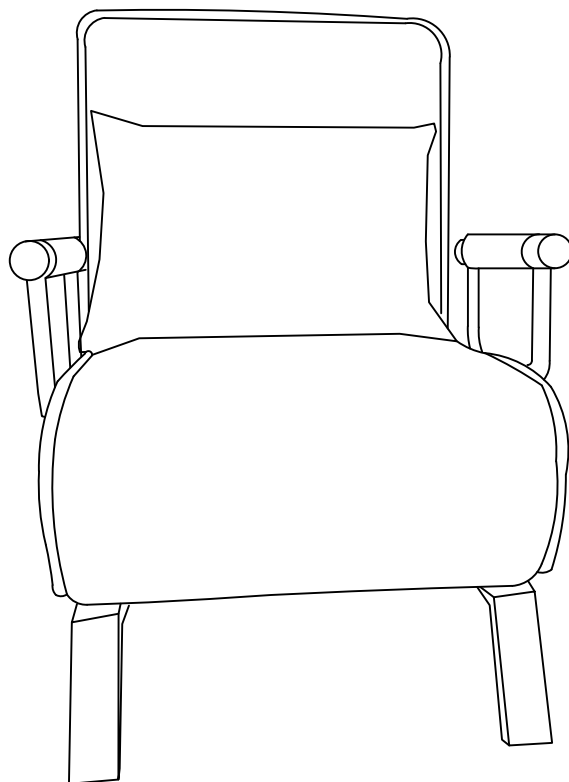


SOFA BED

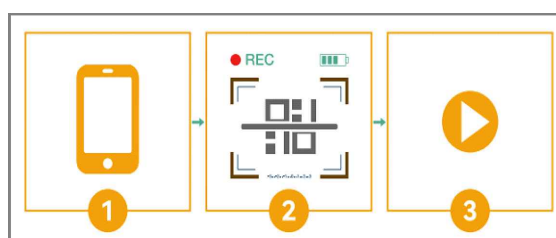
ASSEMBLY INSTRUCTIONS

MODEL NO.: RYS132



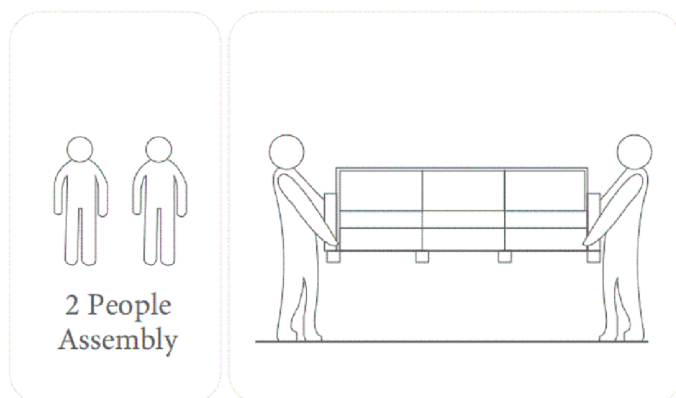
INSTALLATION VIDEO

Please scan the QR code with cell phone camera for Installation Video.
If the QR code is broken, please contact us to get installation video.

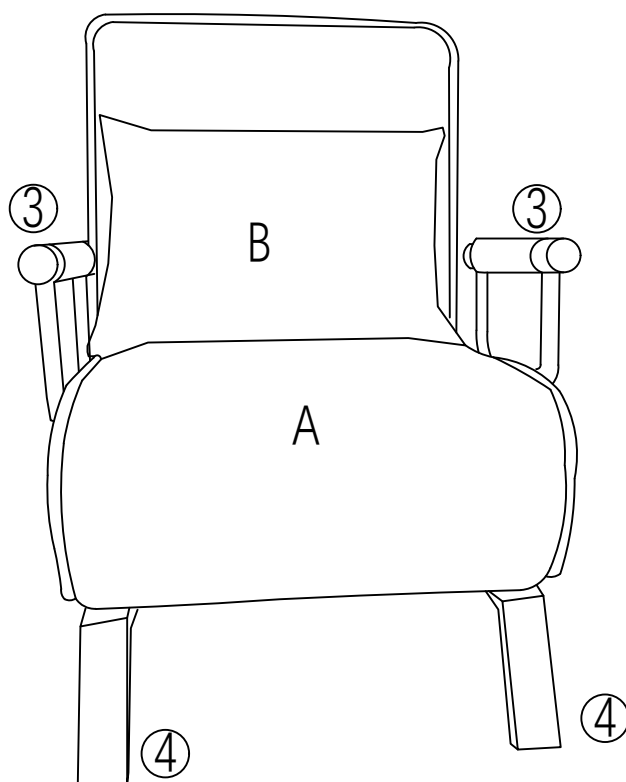


Thanks for your purchasing.

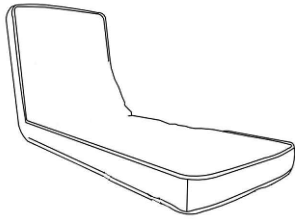
- Please read the instruction completely before assembly.
- Please do not throw away any of the packaging or the instruction until you have all the components and when the furniture is fully assembled.
- Considering the size and weight of the sofa, we recommend two adults to assemble the sofa, on a carpeted or padded area.
- Keep all components and packaging out of reach of children or animals to avoid risk of choking or suffocation.
- Please keep children away from plastic bag or any small pieces of stuff.
- Cushions should be regularly maintained for perfect use.
- 2 people to lift the sofa if you want to move it, do not push or pull directly



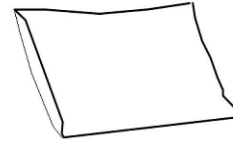
Components:



PART LIST



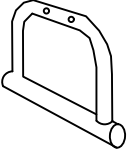



A x1PC

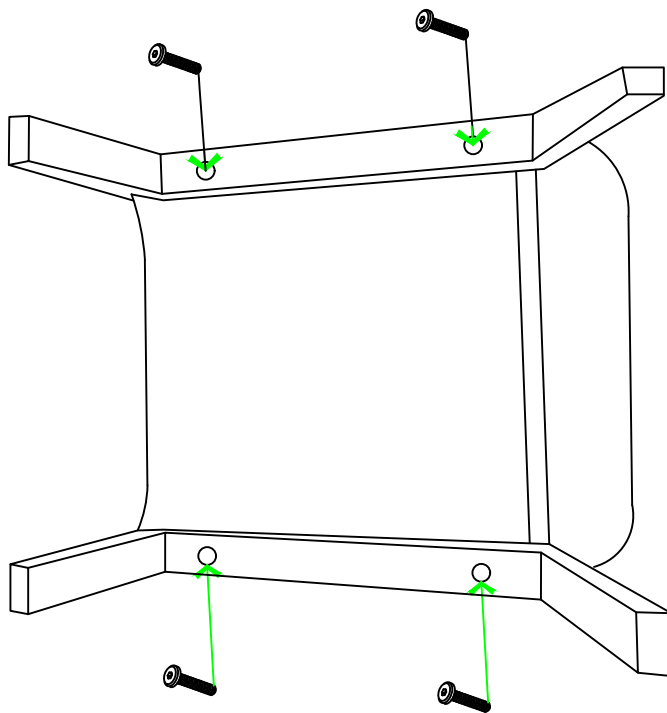





B x1pc

HARDWARE

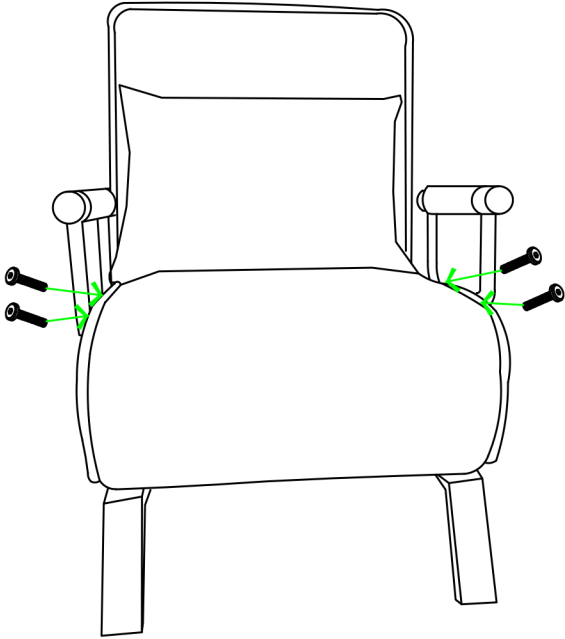
- ①  M8*50mm 8PCS
- ②  M5 Allen Key 1PC
- ③  Armrest 2PCS
- ④  Legs 2PCS




Step 1 Assemble the legs



1		4pcs
2		1pc
4		2pcs

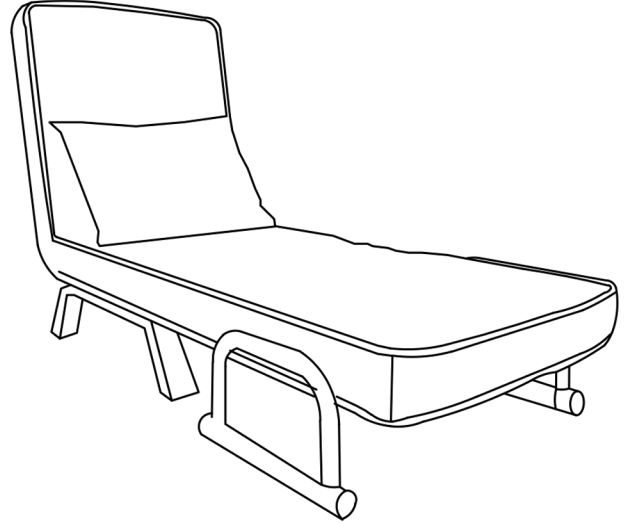
Step 2 Assemble the armrest



1		4pcs
2		1pc
3		2pcs

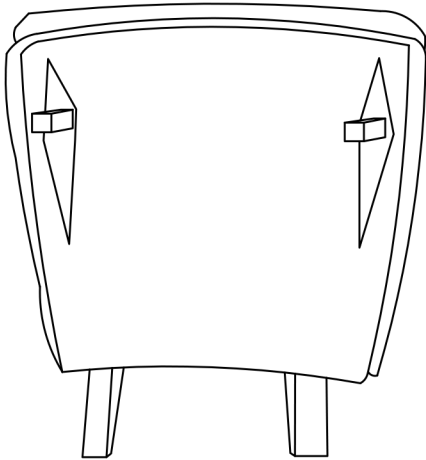
Step 3

Put the pillow on sofa and the assembly is complete.

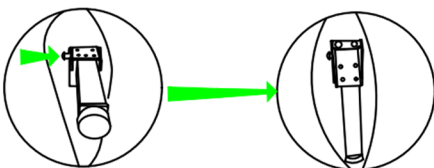


Step 4

Unzip the back zipper to take out the sofa feet, push the backrest back and forth to adjust the angle of the backrest.

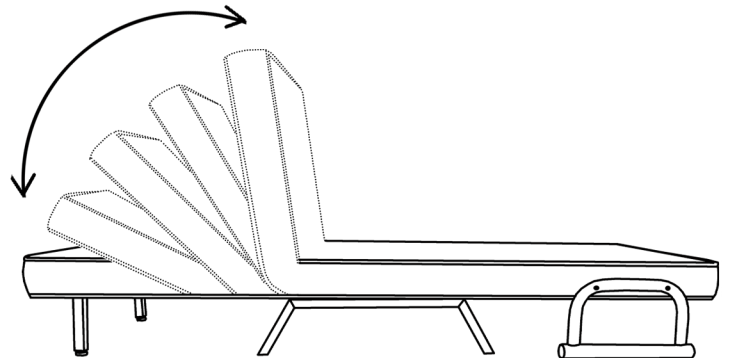


Press and hold the button shown to open and retract the backrest legs



Step 5

The back has 5 angles for adjustable.



Attention: the back must be adjusted more than 90° to lie flat.