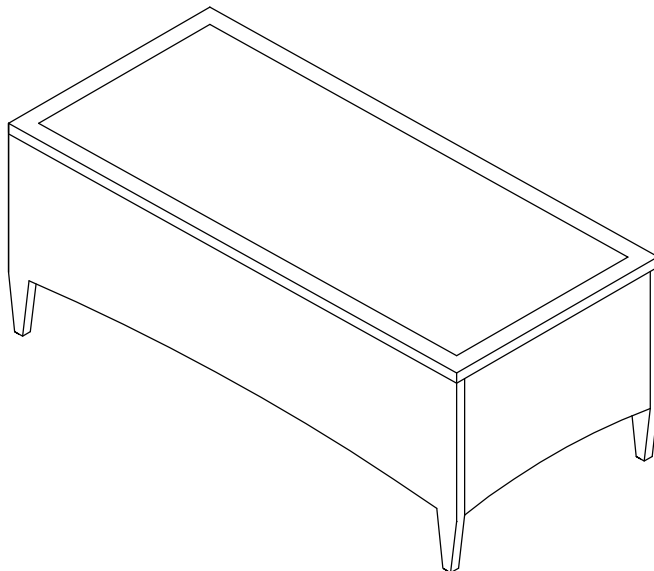
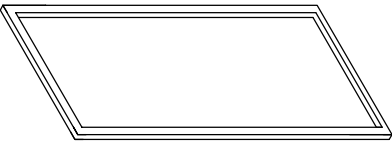
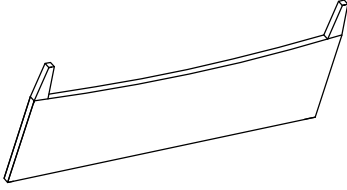
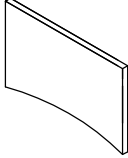
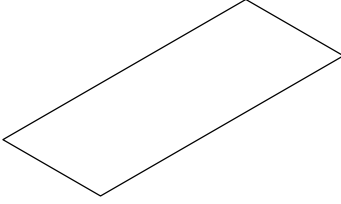


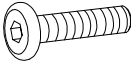


Outdoor Wicker Glass Top Table



PART LIST

 <p>Top Panel</p>		 <p>Side Panel</p>	
A	1PC	B	2PCS
 <p>End Panel</p>		 <p>Glass Top</p>	
C	2PCS	D	1PC

HARDWARE LIST

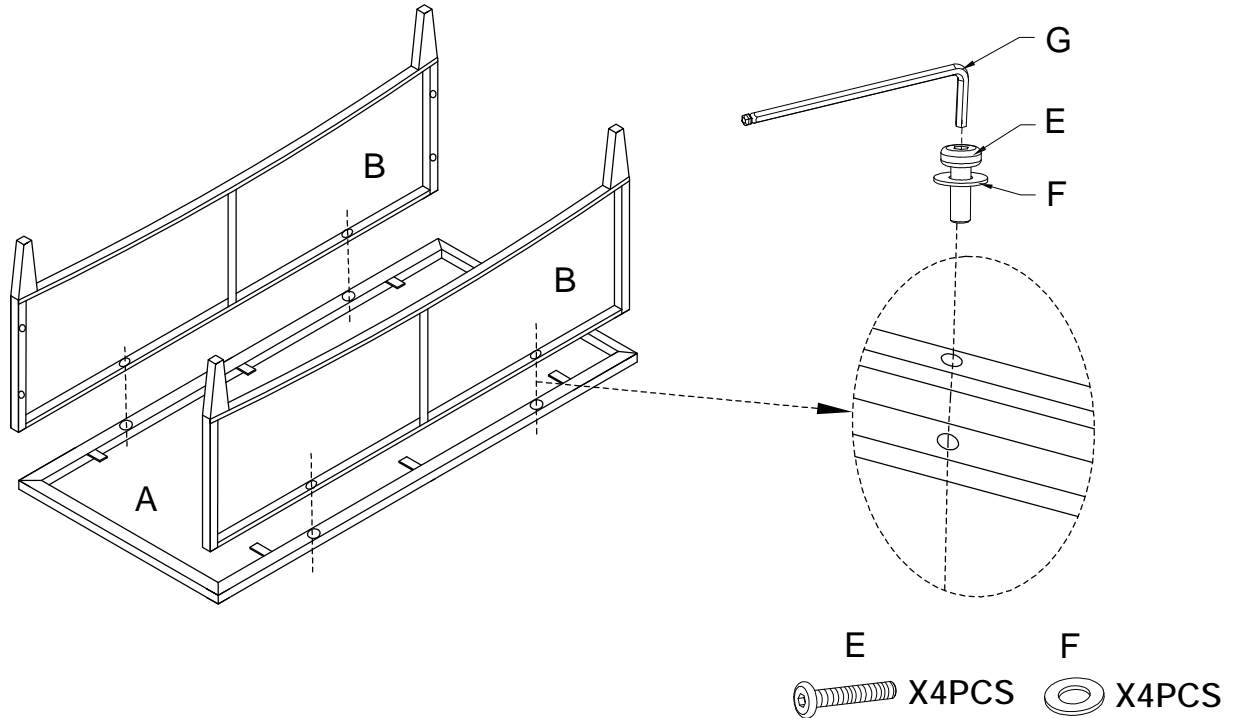
 <p>Bolt(M6*30mm)</p>		 <p>Washer(M6mm)</p>		 <p>Allen Key(M6mm)</p>	
E	12PCS	F	12PCS	G	1PC

EXTRA HARDWARE LIST

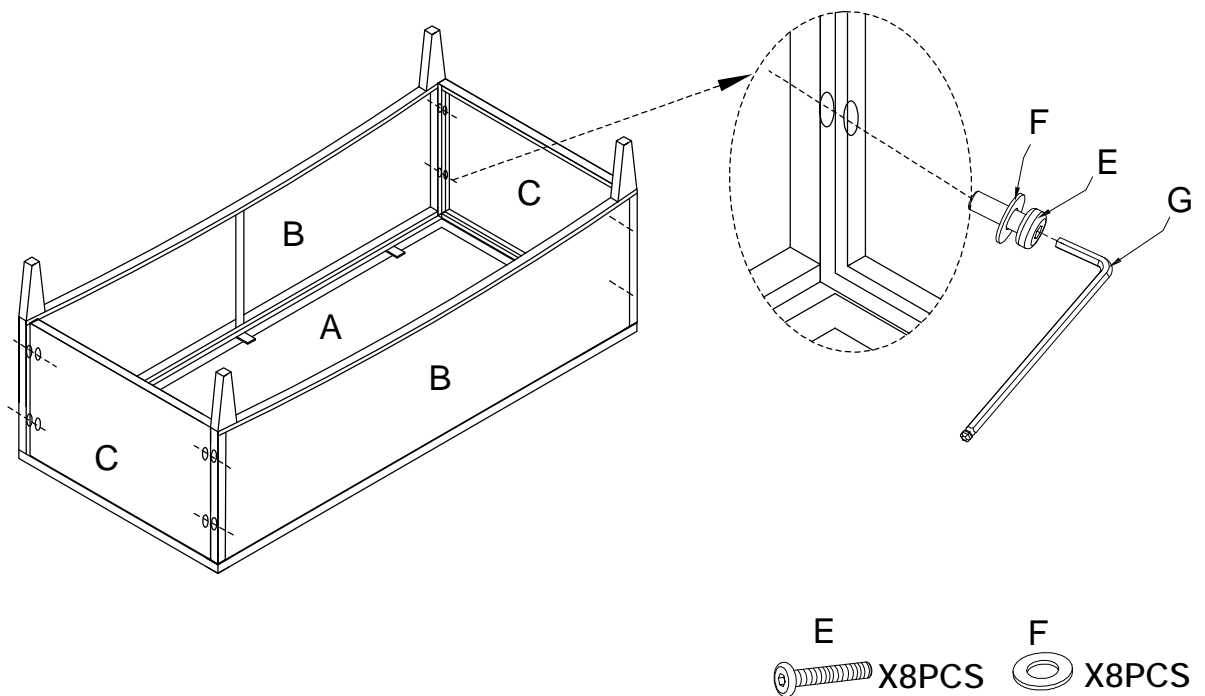
 <p>E X3PCS</p>	 <p>F X3PCS</p>
--	--

Step 1. Lay Top Panel (A) on a flat surface with underside facing up. Attach Side Panels(B) to Top (A), using Bolts(E), Washers(F) and Allen Key (G).

NOTE: Thread down but do not tighten bolts until unit is fully assembled.



Step 2. Attach End Panels (C) to Side Panels (B) using Bolts(E), Washers(F) and Allen Key(G).



Step 3. Turn the table upright and gently place the glass on the table top.

