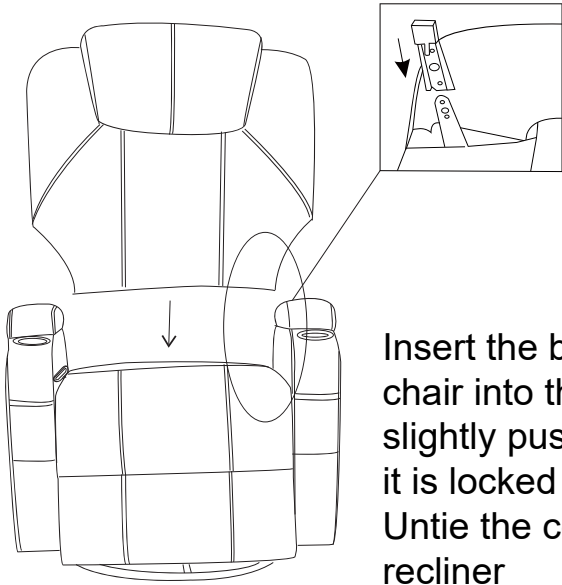


Assembly Instructions


READ ALL INSTRUCTIONS BEFORE USING THE ITEM

1

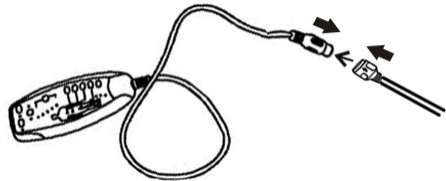


Insert the back of the chair into the seat and slightly push it down till it is locked in position. Untie the cord under the recliner

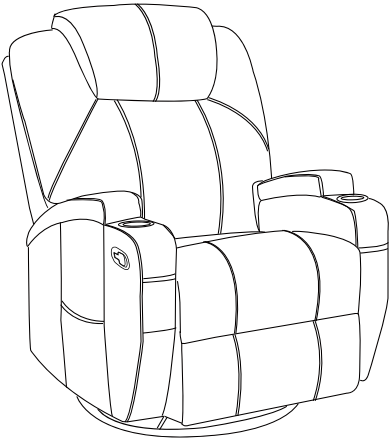
2 Connect the switching power wire to the plug wire.



3 Connect the switching power wire to the remote control.



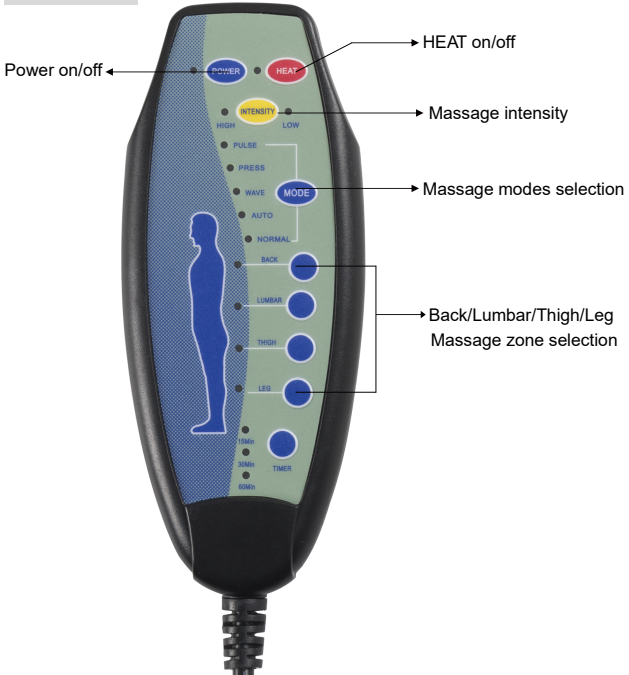
4 The recliner is completed



5

REMOTE CONTROL

Function of remote

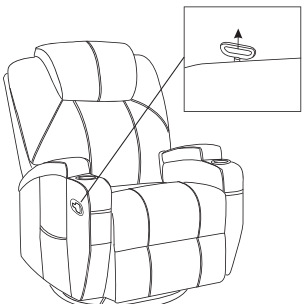


Power on/off → HEAT on/off
 INTENSITY → Message intensity
 MODE → Message modes selection
 BACK/LUMBAR/THIGH/LEG → Back/Lumbar/Thigh/Leg Massage zone selection

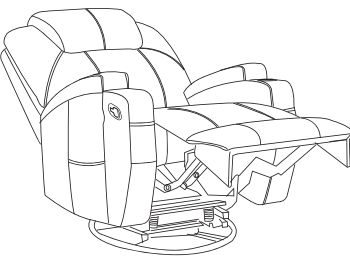
6

OPERATING INSTRUCTION

1



2



WARNING:

1. Capacity: one person only.
2. Do not stand on the chair or use it as a step ladder.
3. Ensure that all the bolts, screws, and knobs are fastened before sitting on it.
4. Check all bolts, screws and knobs on a regular basis.
5. Stop using a broken chair or chair with components missing. Contact and get an authorized service provider for repair.
6. There is potential risk of personal injury not to follow the instructions when in use.

NOTICE: The remotes are placed in the small box under the chair bottom.