



SERAC 42 Coffee Table with HPL Top

Ø 16 1/2" H 21 1/2"

11 lbs

Powder coated stainless steel & HPL

SERAC 42 Coffee Table with Ceramic Top

Ø 16 1/2" H 21 1/2"

23.7 lbs

Powder coated stainless steel & ceramic

SERAC: BASE

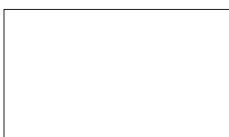


White



Anthracite

SERAC: TABLE TOP



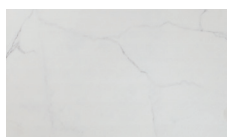
HPL White



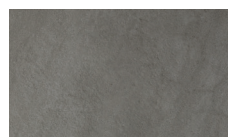
HPL Black



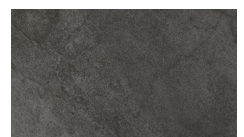
HPL Nordic Black



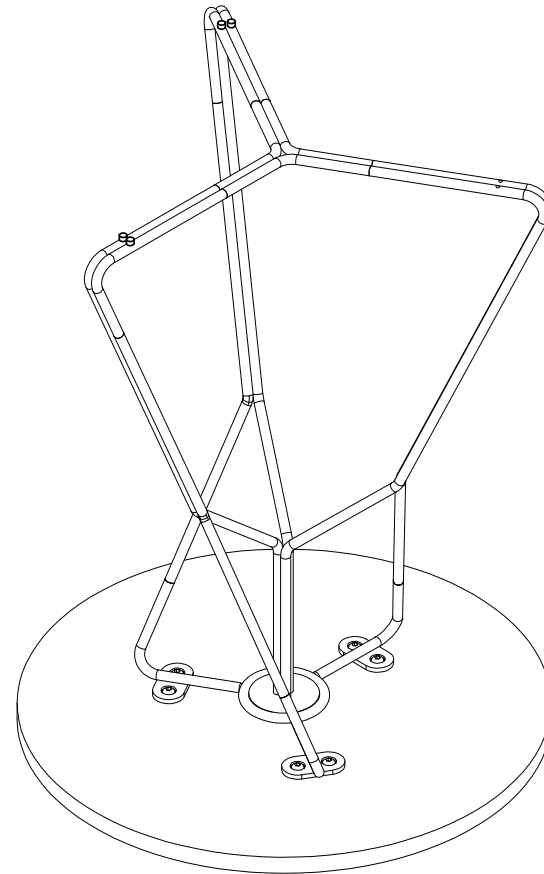
Ceramic White



Ceramic Grey



Ceramic Anthracite



ISO VIEW

OASIQ

DWG.NO: FAE0A11-1

TITLE : ISO VIEW

DIM EXT: \emptyset 422X554.5 MM.

MATERIAL: SS304

DRAWN BY : CHANAKAN

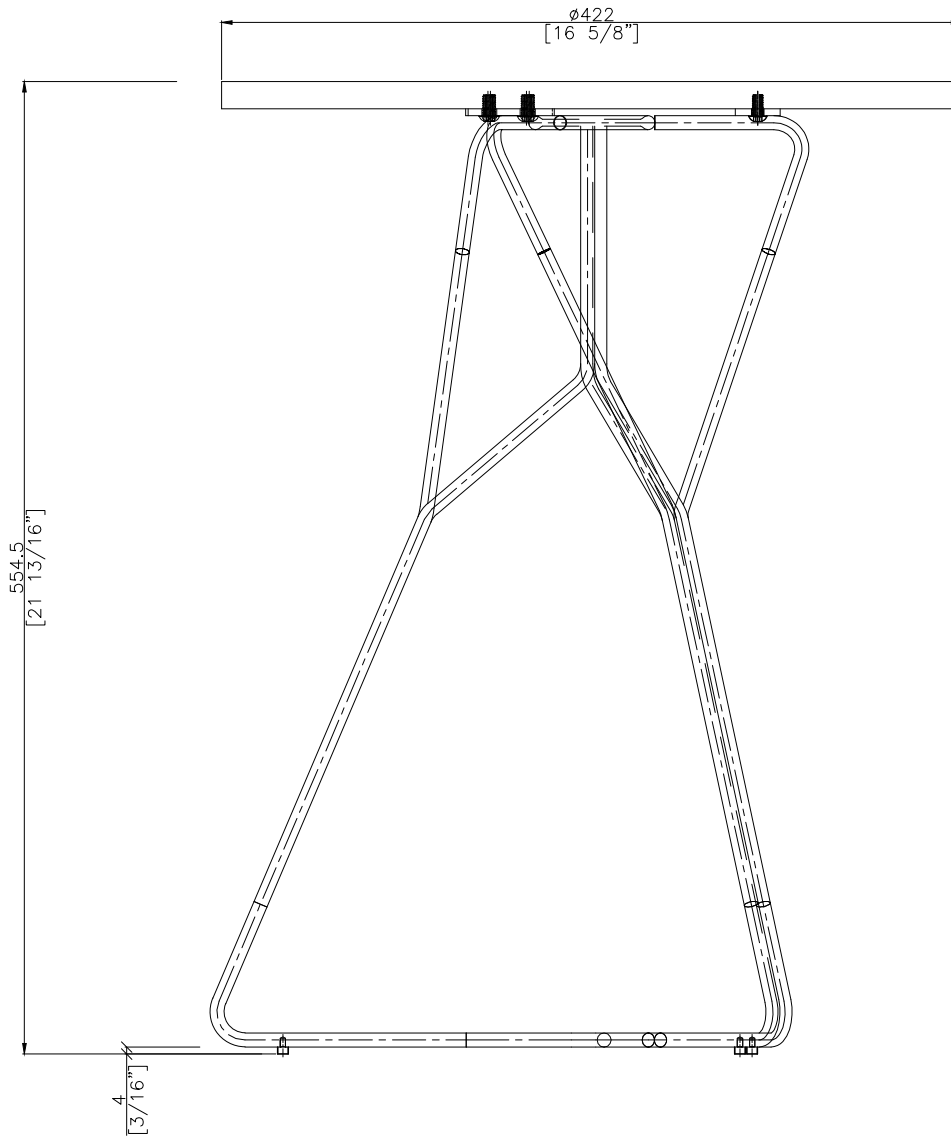
FINISH DATE : 11-12-14
BEGIN DATE : 29-11-13

GIG
ALGN

SCALE : 1:1
⊕ □

ISO

P. 2



FRONT VIEW

EF

OASIQ

DWG.NO: FAE0A11-1

TITLE : FRONT VIEW

DIM EXT: $\phi 422 \times 554.5$ MM.

MATERIAL: SS304

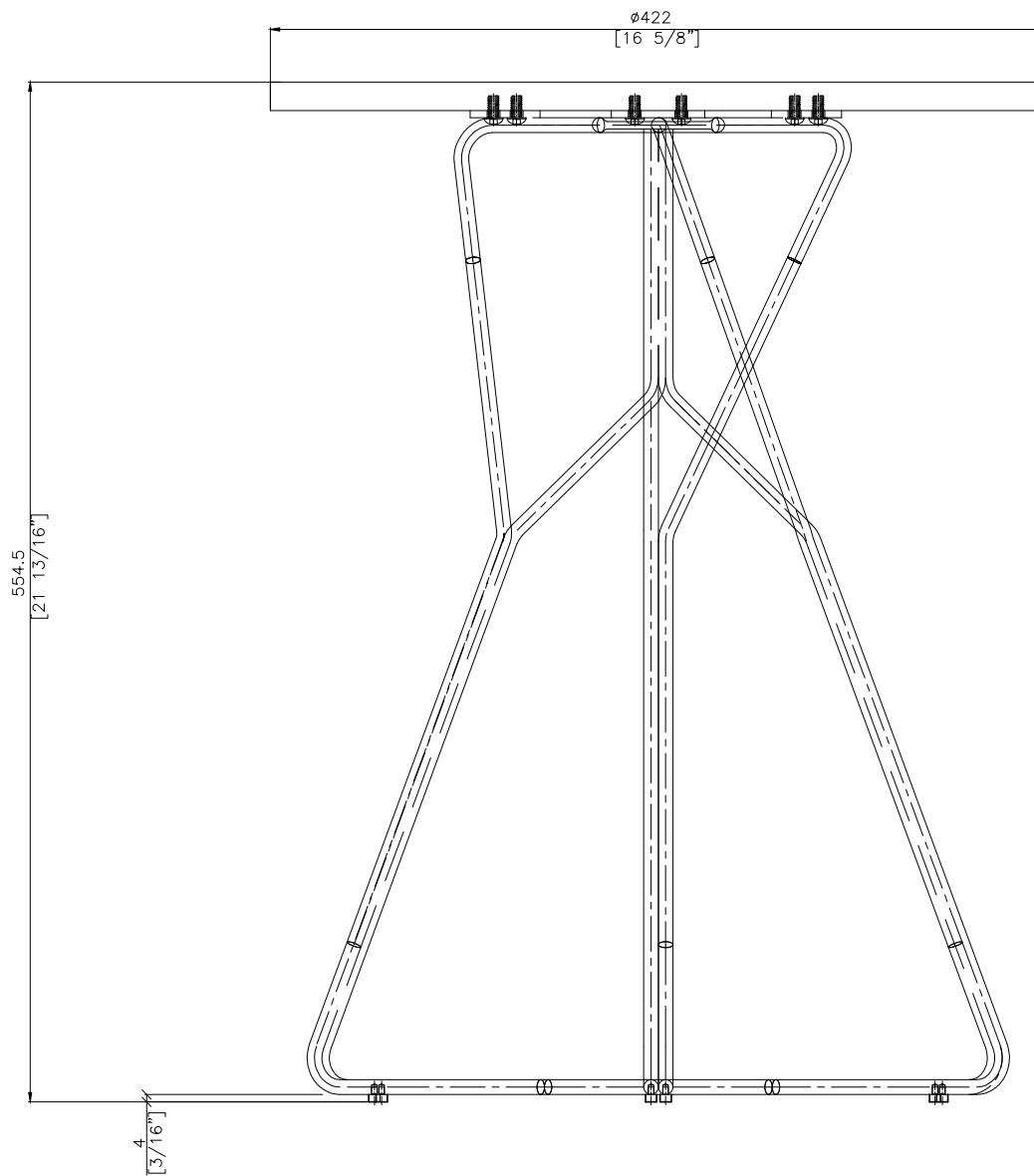
DRAWN BY : CHANAKAN

FINISH DATE : 11-12-14
BEGIN DATE : 29-11-13

GIG
ALGIN

SCALE : 1:1

P. 4



SIDE VIEW

ES

OASIQ

DWG.NO: FAE0A11-1

TITLE : SIDE VIEW

DIM EXT: $\phi 422 \times 554.5$ MM.

MATERIAL: SS304

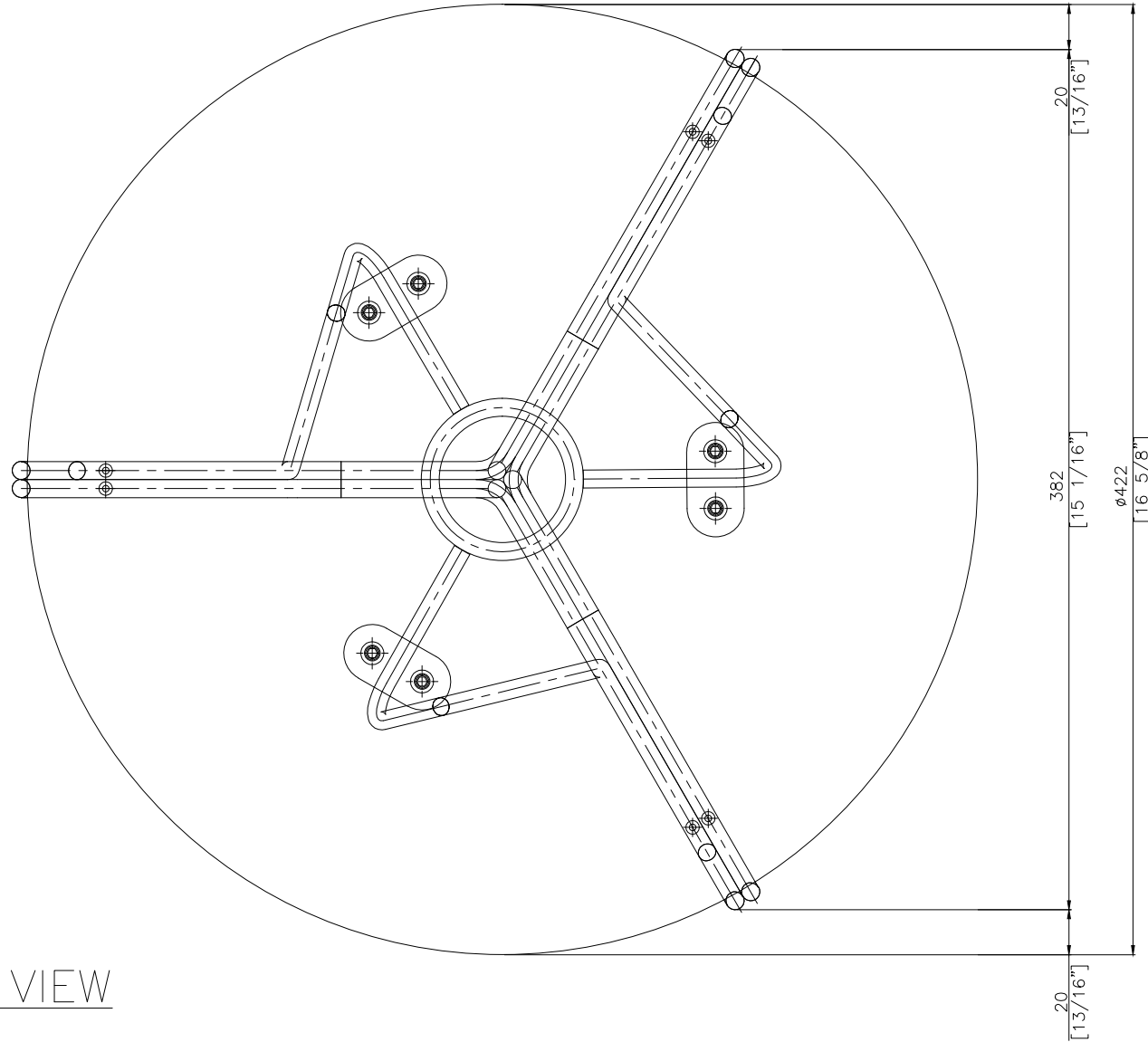
DRAWN BY : CHANAKAN

FINISH DATE : 11-12-14
BEGIN DATE : 29-11-13

GIG
ALGIN

SCALE : 1:1

P. 5



TOP VIEW

OASIQ

DWG.NO: FAE0A11-1

TITLE : TOP VIEW

DIM EXT: $\phi 422 \times 554.5$ MM.

MATERIAL: SS304

DRAWN BY : Mr.Khanti

FINISH DATE : 31-03-15
 BEGIN DATE : 29-11-13

KHAN
 ALGIN

SCALE : 1:1

ET
 P. 3