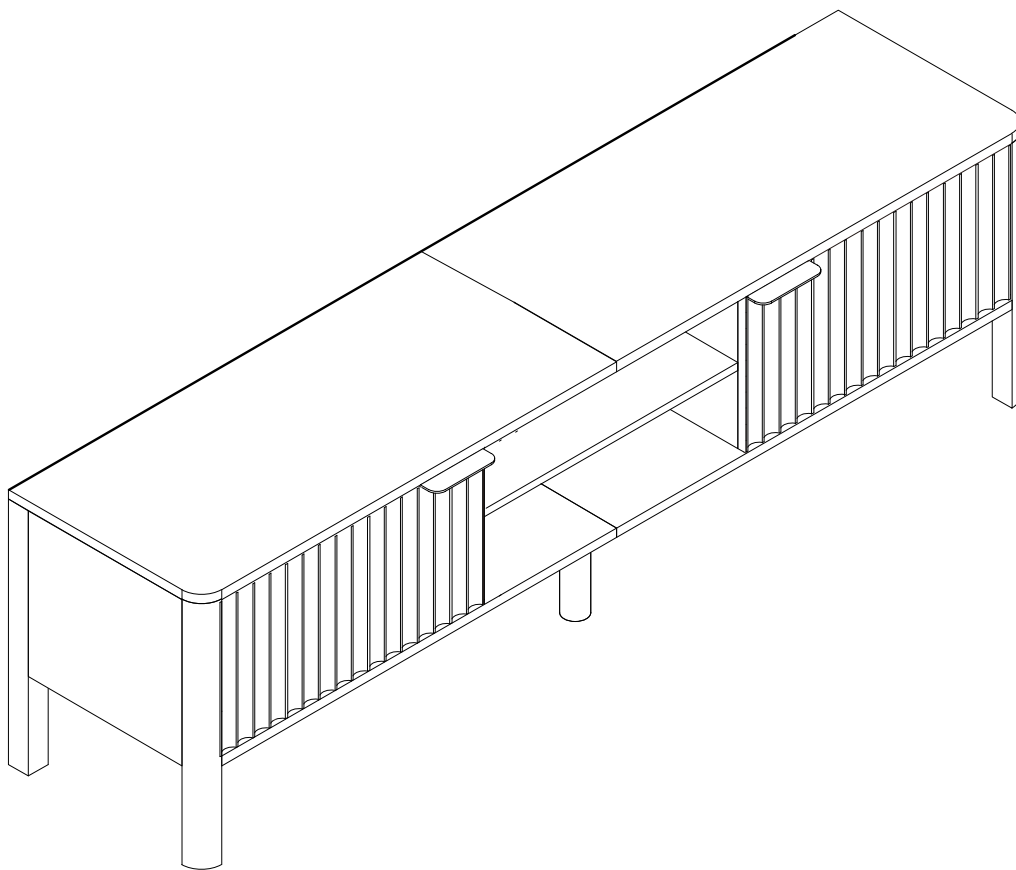
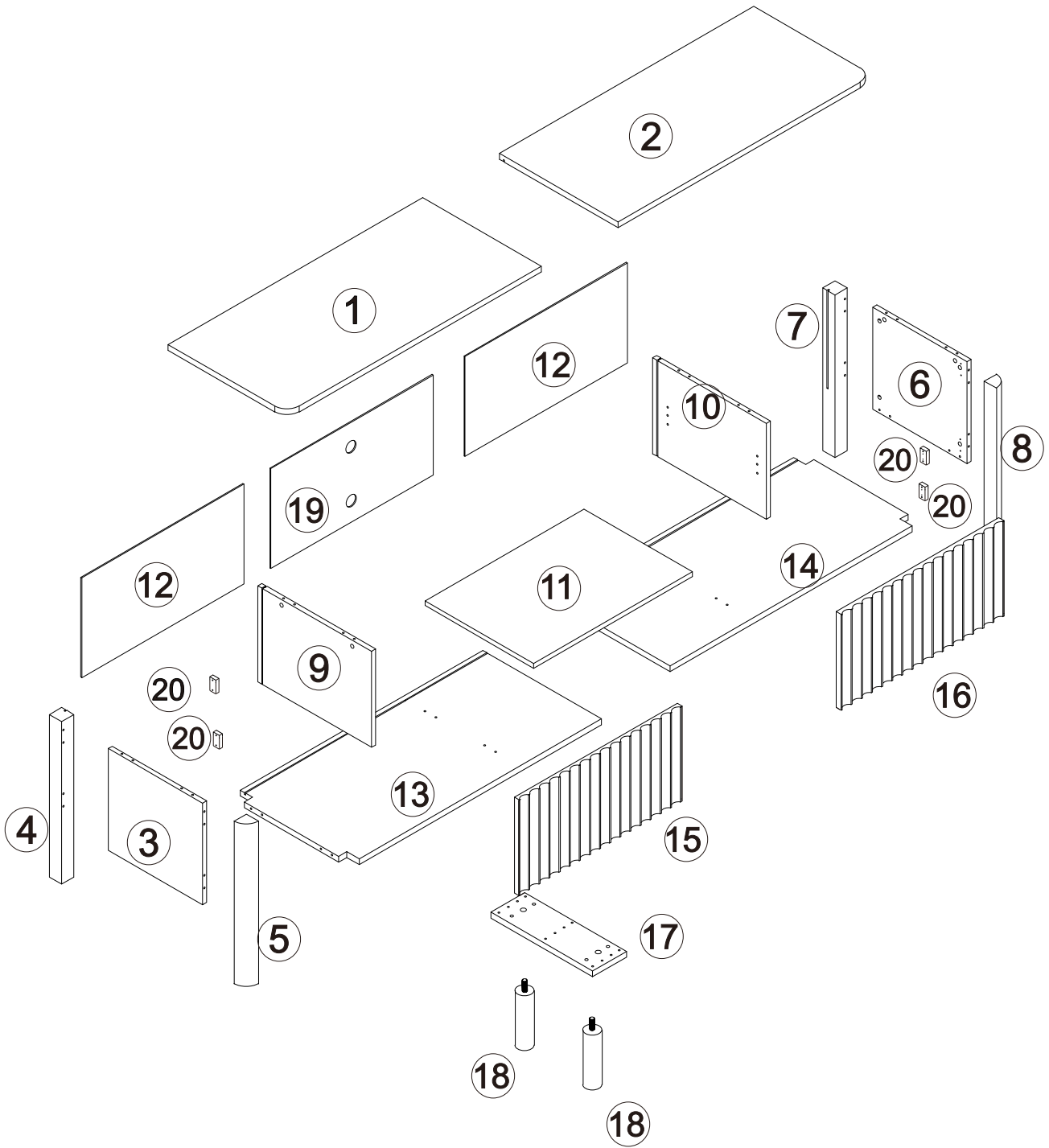


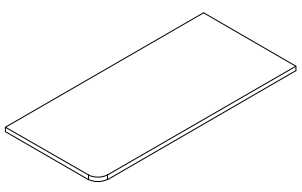
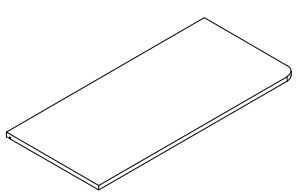
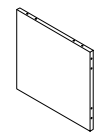


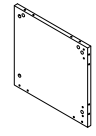


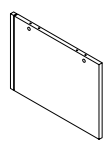
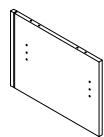
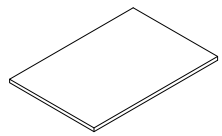
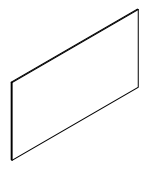
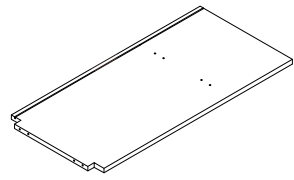
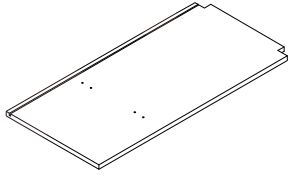
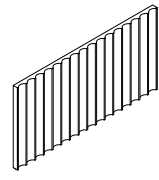
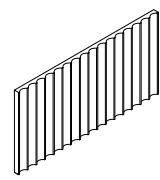
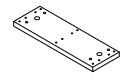

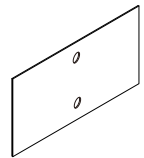
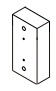
# Assembly Instruction



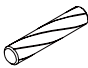
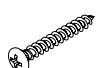
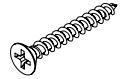

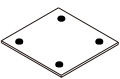
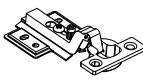


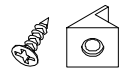
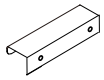

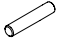



We recommend that you refer to both this manual and the assembly video when assembling.



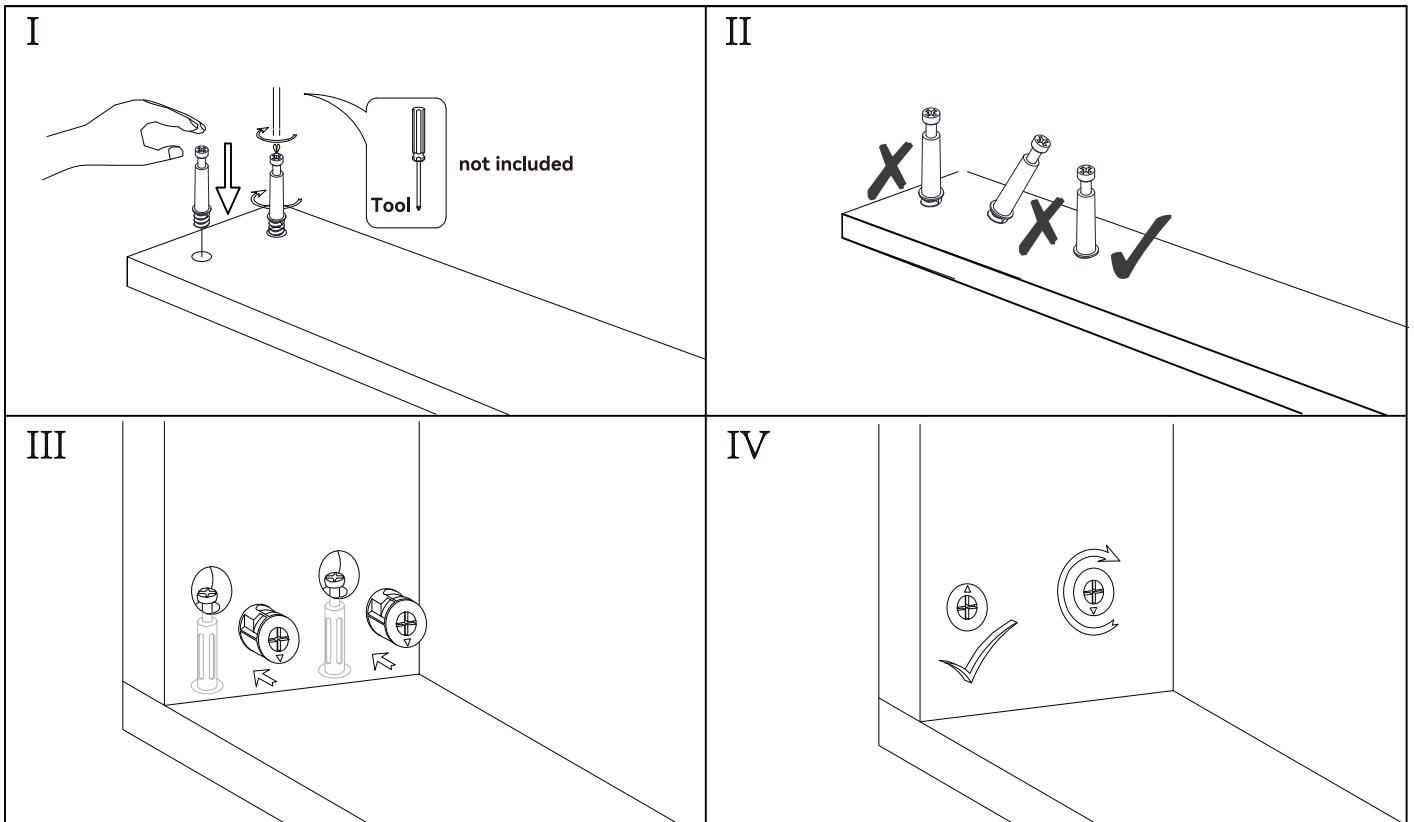
Please check for missing or damaged parts before installing. If there is anything we can help you with, please don't hesitate to contact us!



<p>①</p>  <p>x1</p>	<p>②</p>  <p>x1</p>	<p>③</p>  <p>x1</p>
<p>④</p>  <p>x1</p>	<p>⑤</p>  <p>x1</p>	<p>⑥</p>  <p>x1</p>
<p>⑦</p>  <p>x1</p>	<p>⑧</p>  <p>x1</p>	<p>⑨</p>  <p>x1</p>
<p>⑩</p>  <p>x1</p>	<p>⑪</p>  <p>x1</p>	<p>⑫</p>  <p>x2</p>
<p>⑬</p>  <p>x1</p>	<p>⑭</p>  <p>x1</p>	<p>⑮</p>  <p>x1</p>
<p>⑯</p>  <p>x1</p>	<p>⑰</p>  <p>x1</p>	<p>⑱</p>  <p>x2</p>
<p>⑲</p>  <p>x1</p>	<p>⑳</p>  <p>x4</p>	

					
Ax20	Bx20	Cx24	Dx8	Ex4	Fx8
					
Gx2	Hx4	Ix24	Jx2	Kx12	Lx2
					
Mx4	Nx4	Ox12	Px4	Qx4	

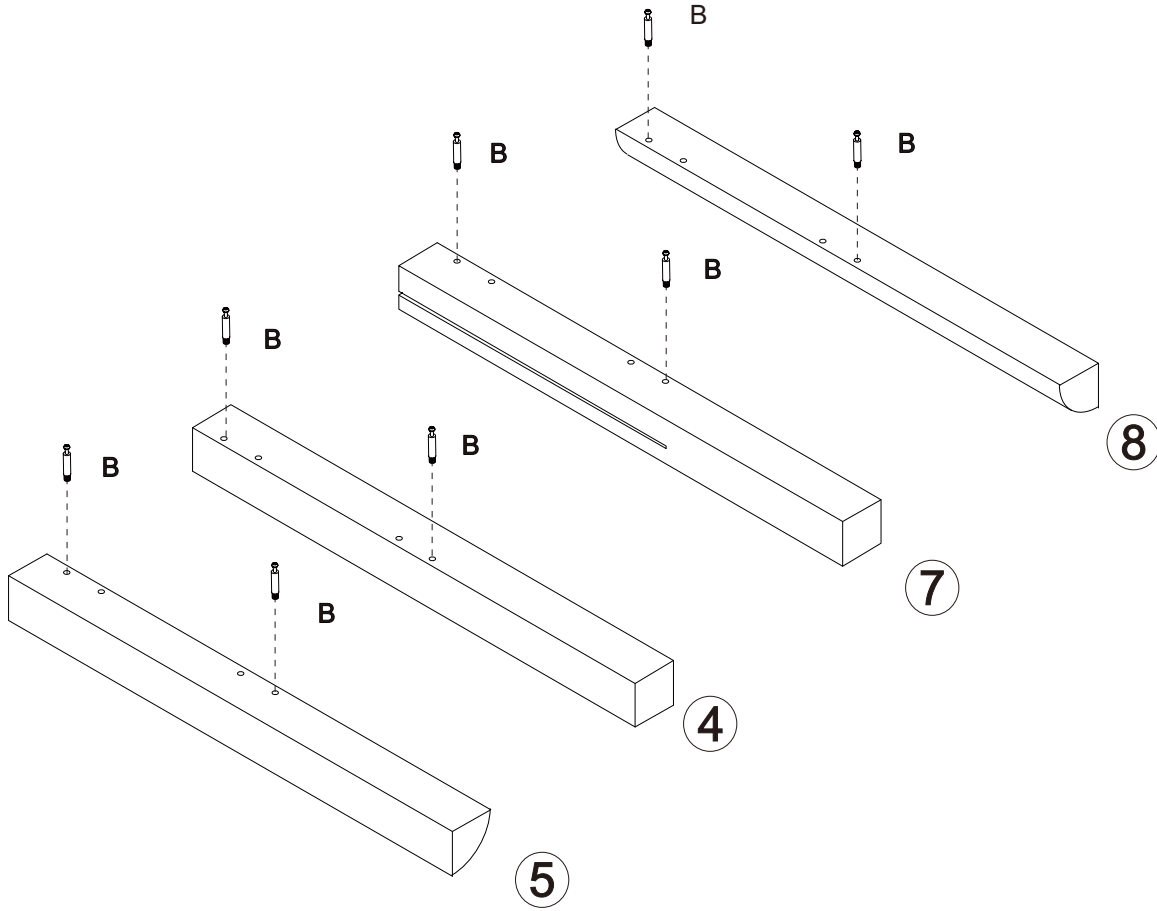
**NOTED:**



# Step 1



Bx8



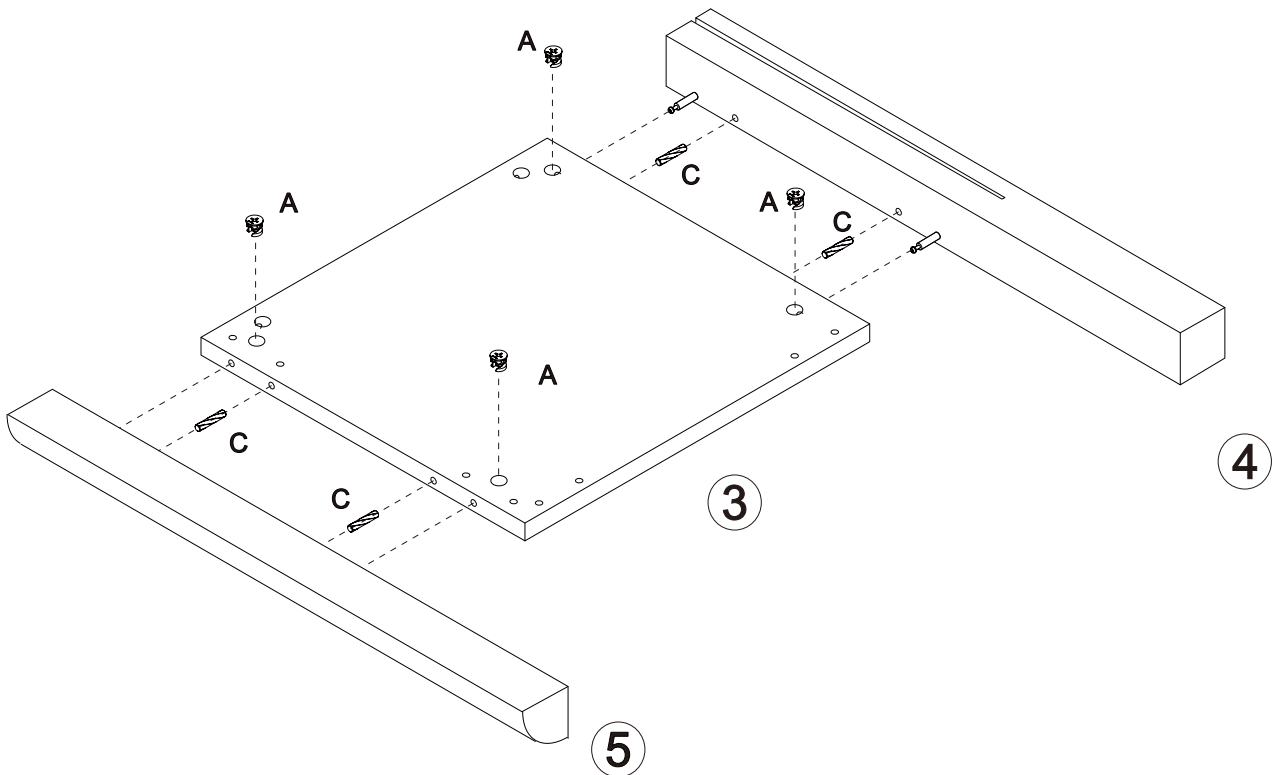
# Step 2




Ax4

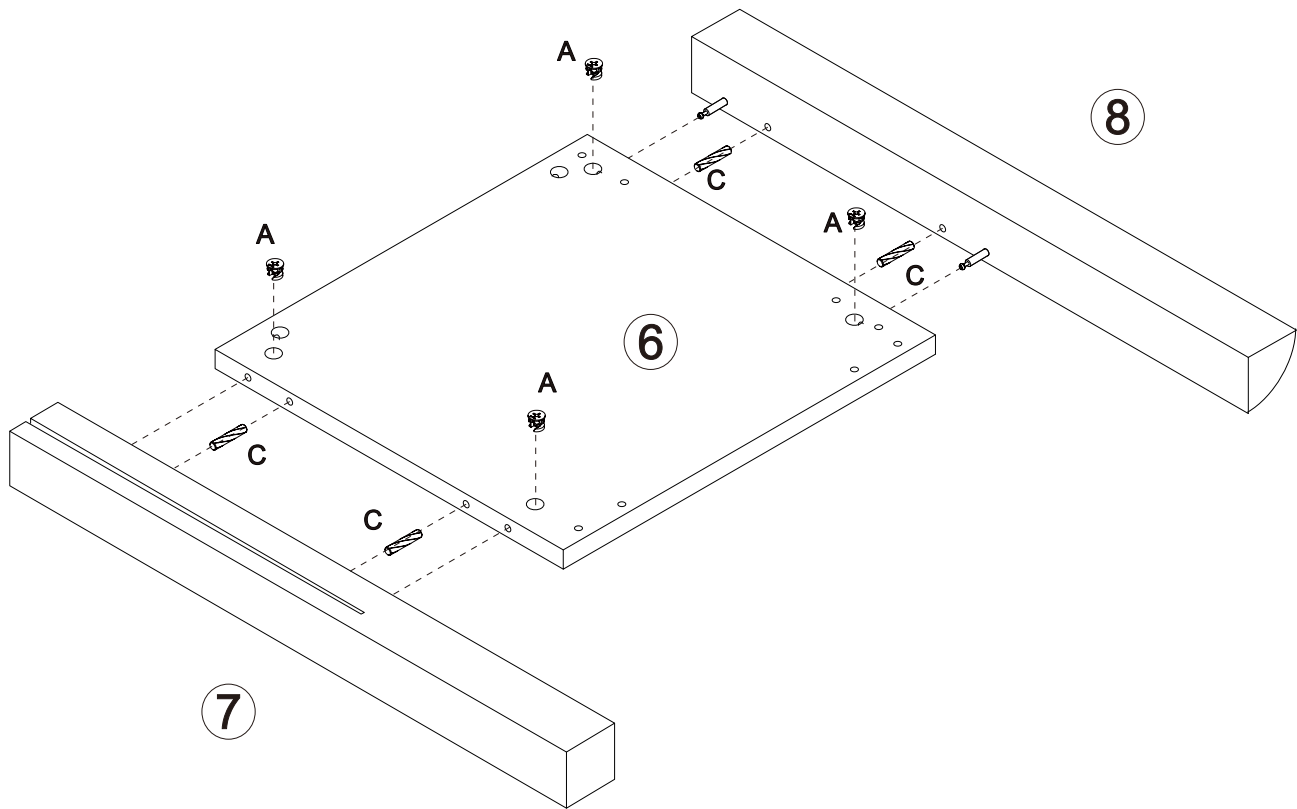


Cx4



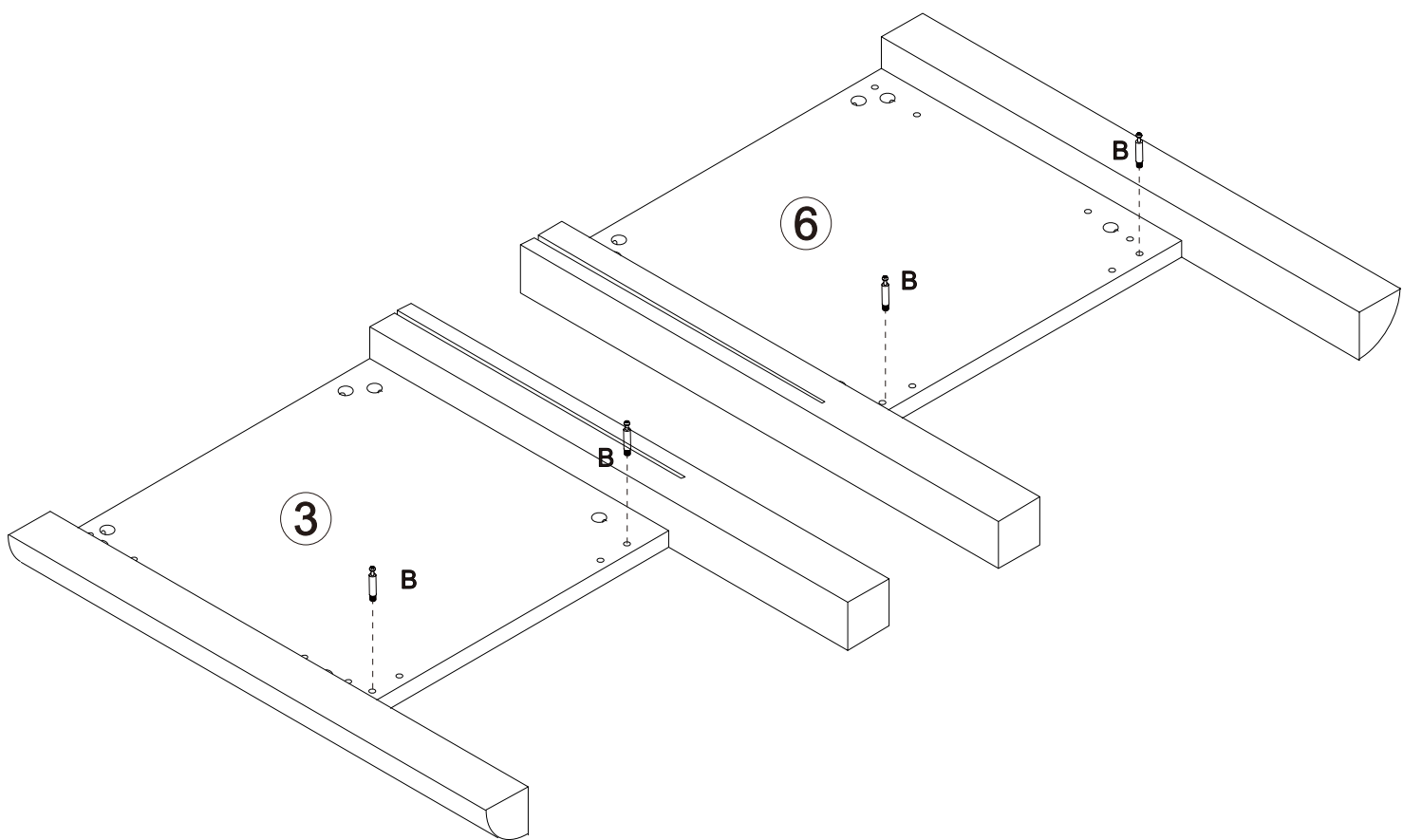
# Step 3

-  Ax4
-  Cx4



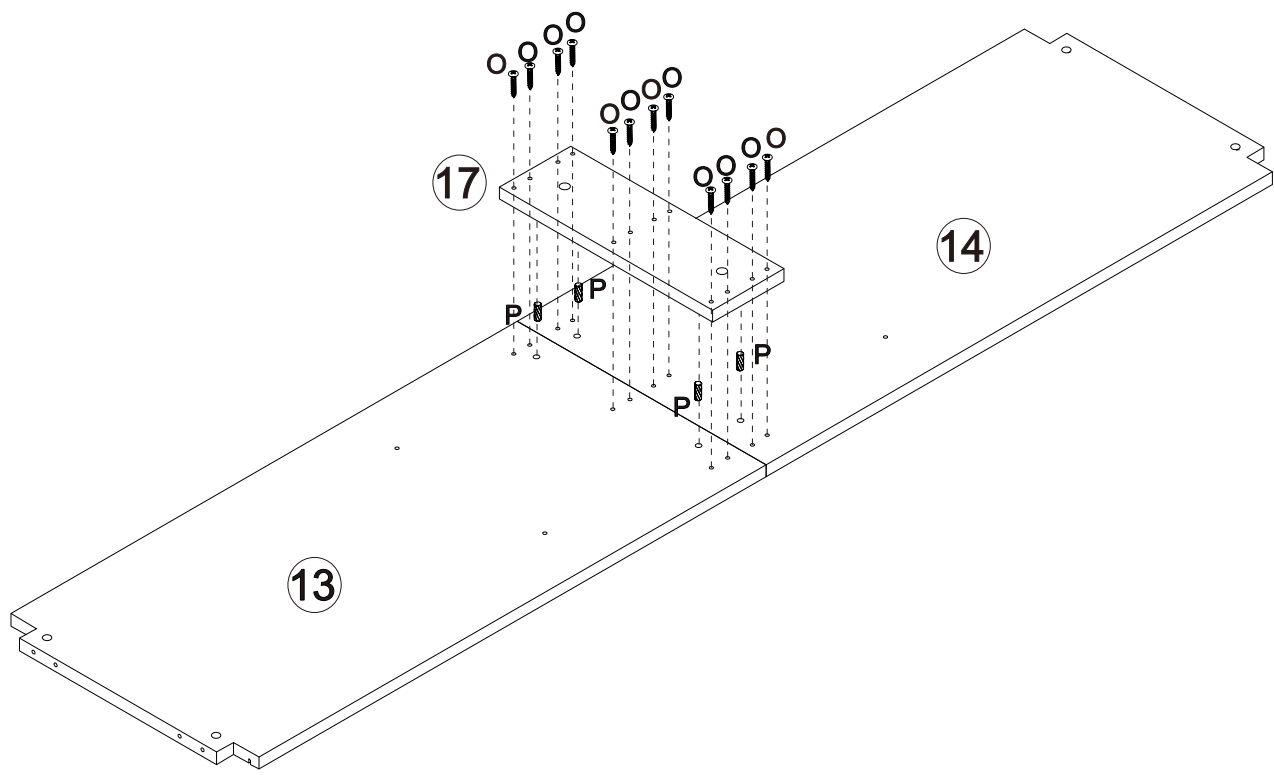
# Step 4

-  Bx4



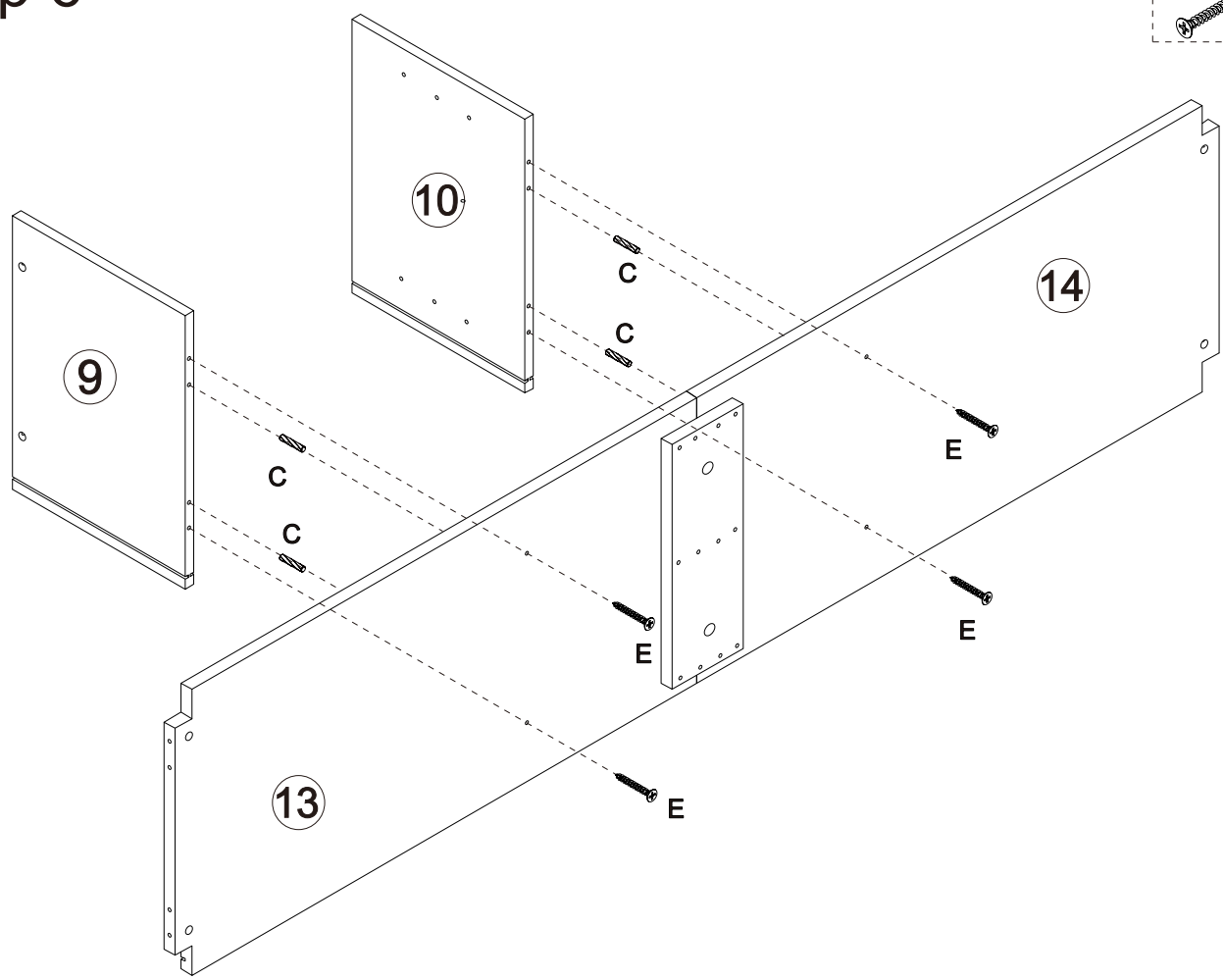
# Step 5

	Px4
	Ox12



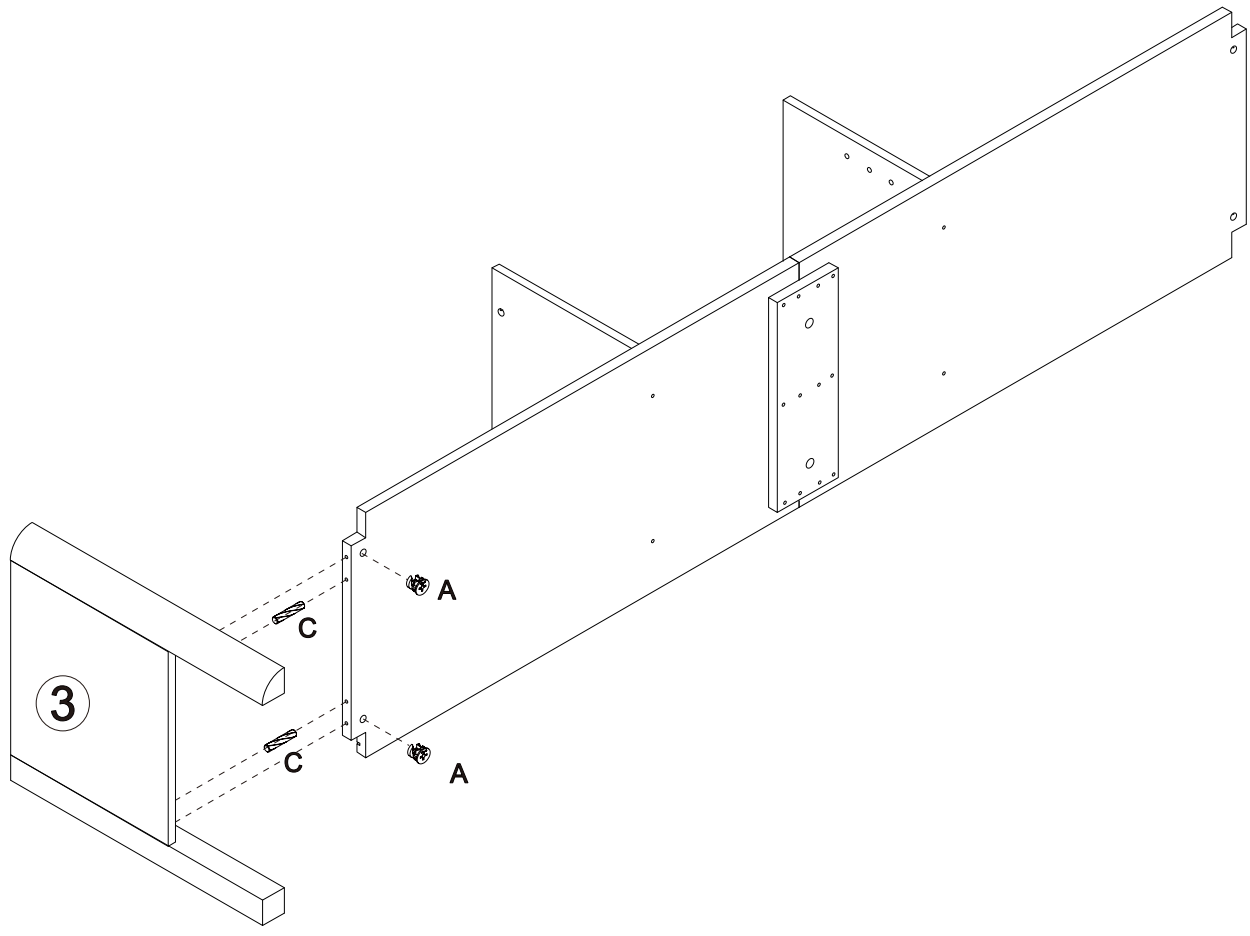
# Step 6

	Cx4
	Ex4



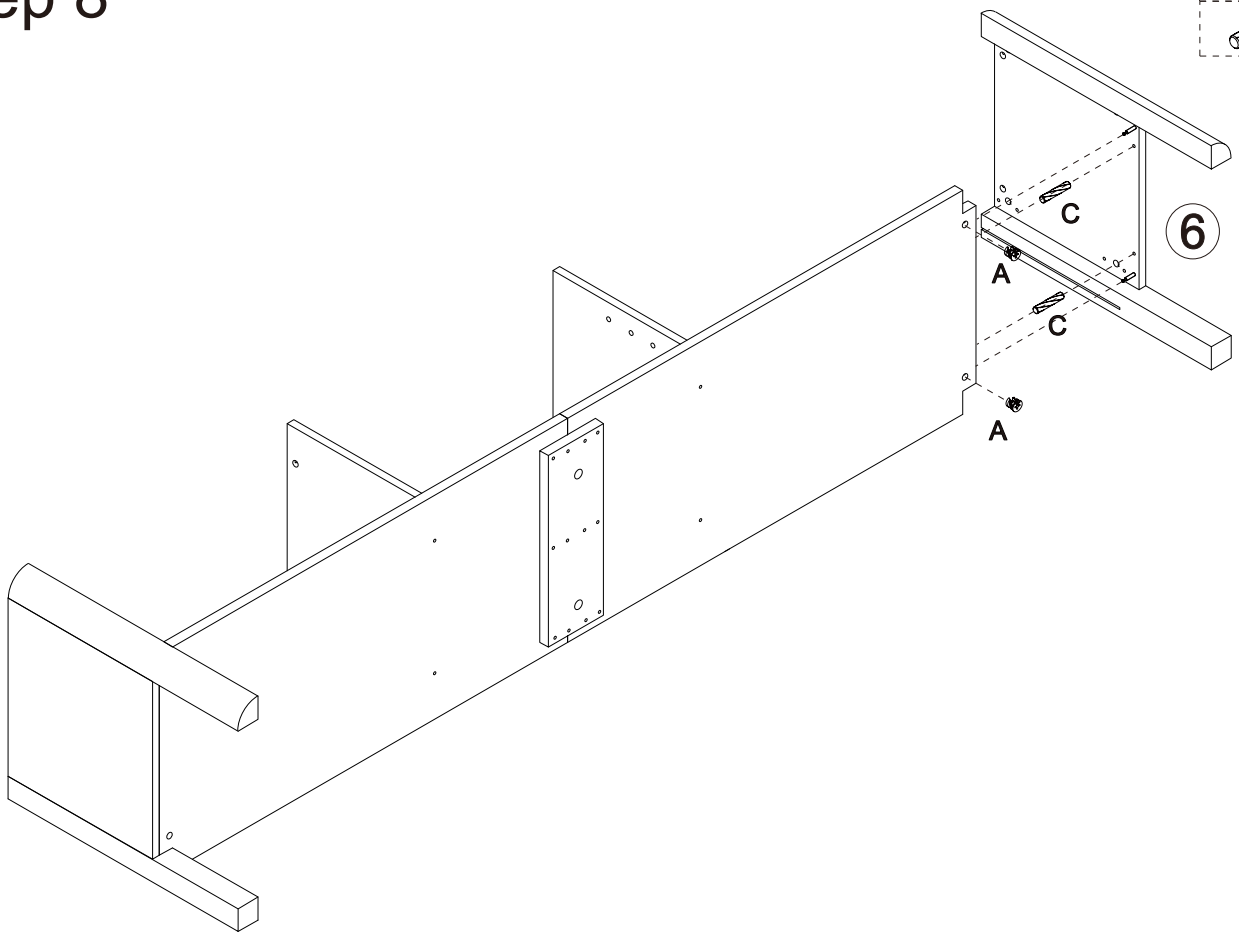
# Step 7

- |  |     |
|--|-----|
|   | Ax2 |
|  | Cx2 |





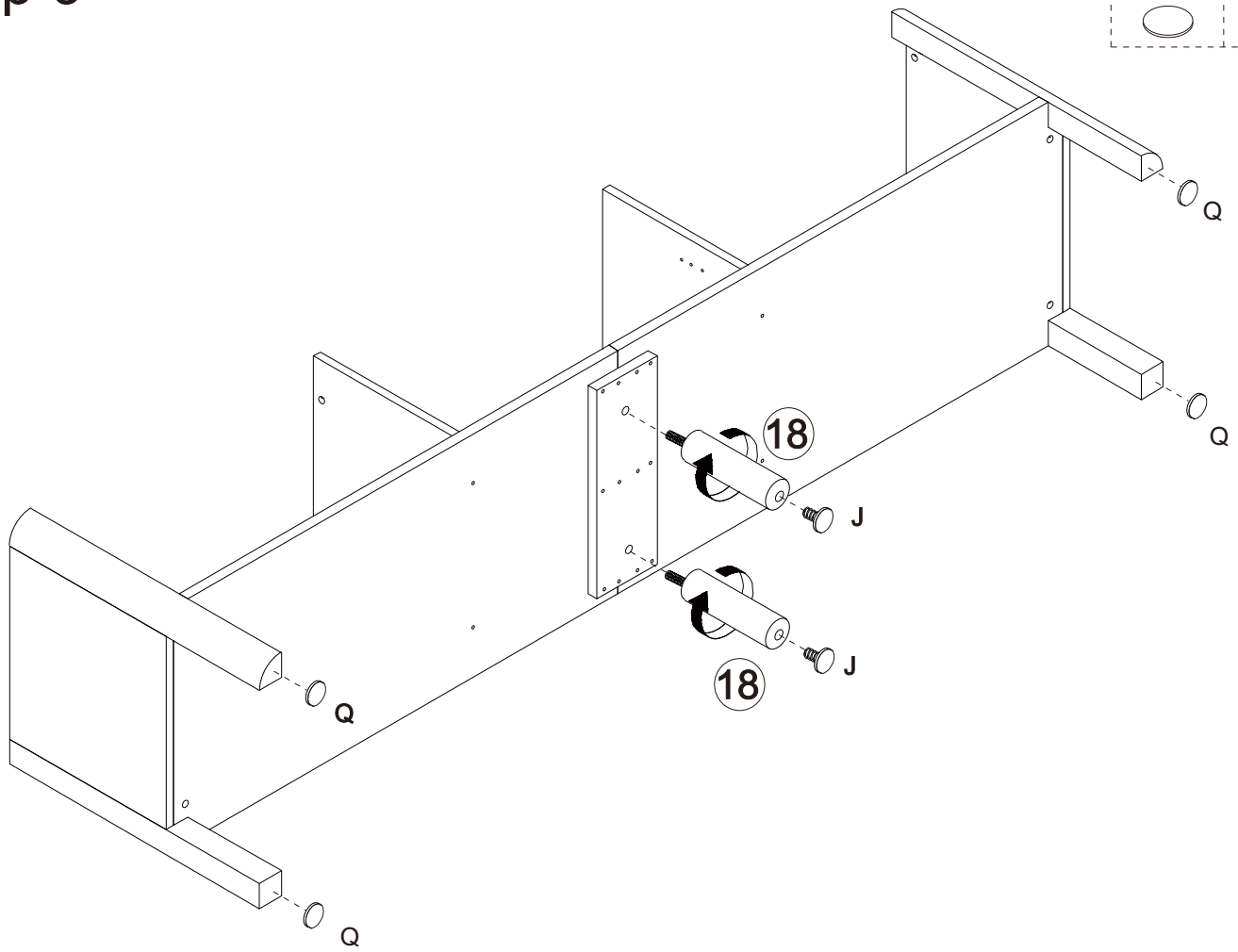
# Step 8

- |   |     |
|---|-----|
|  | Ax2 |
|  | Cx2 |

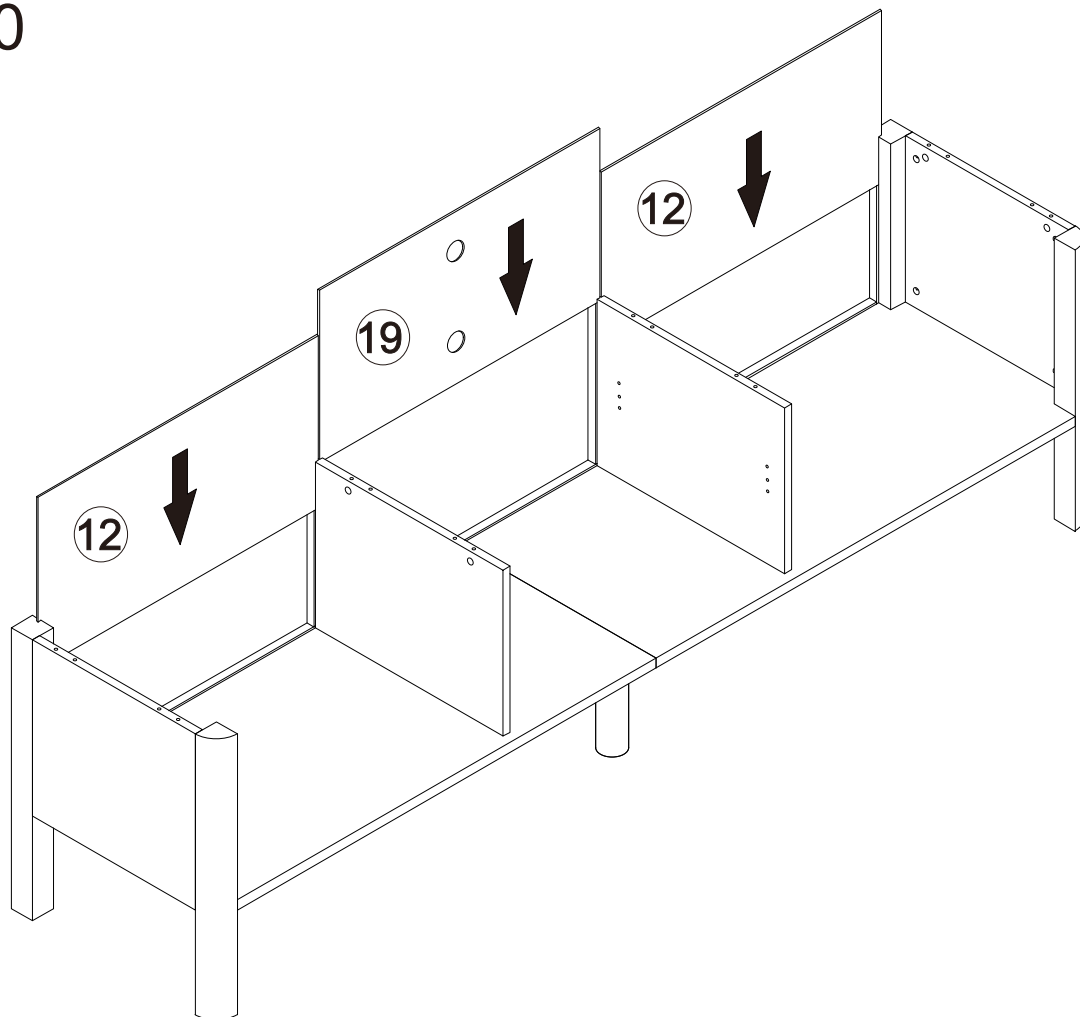


# Step 9




	Jx2
	Qx4

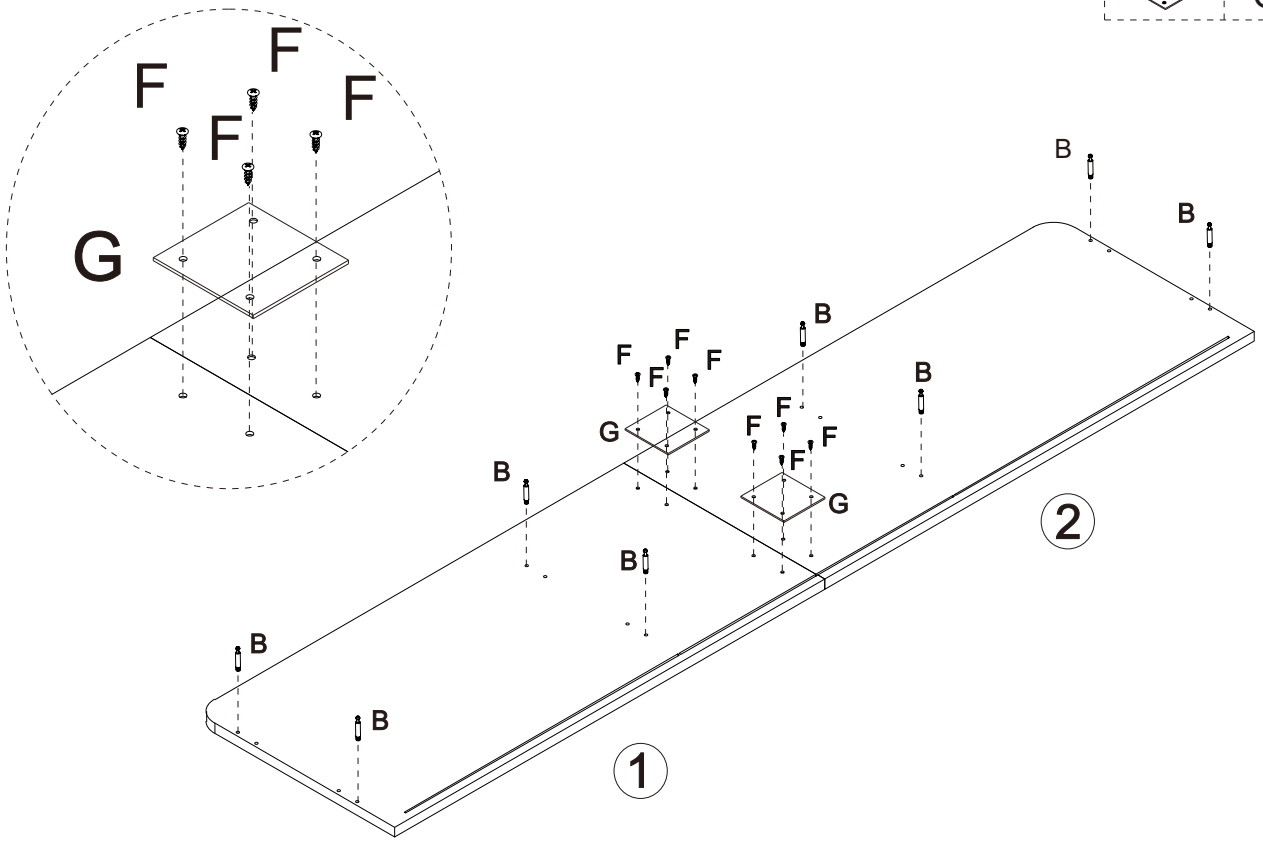


# Step 10



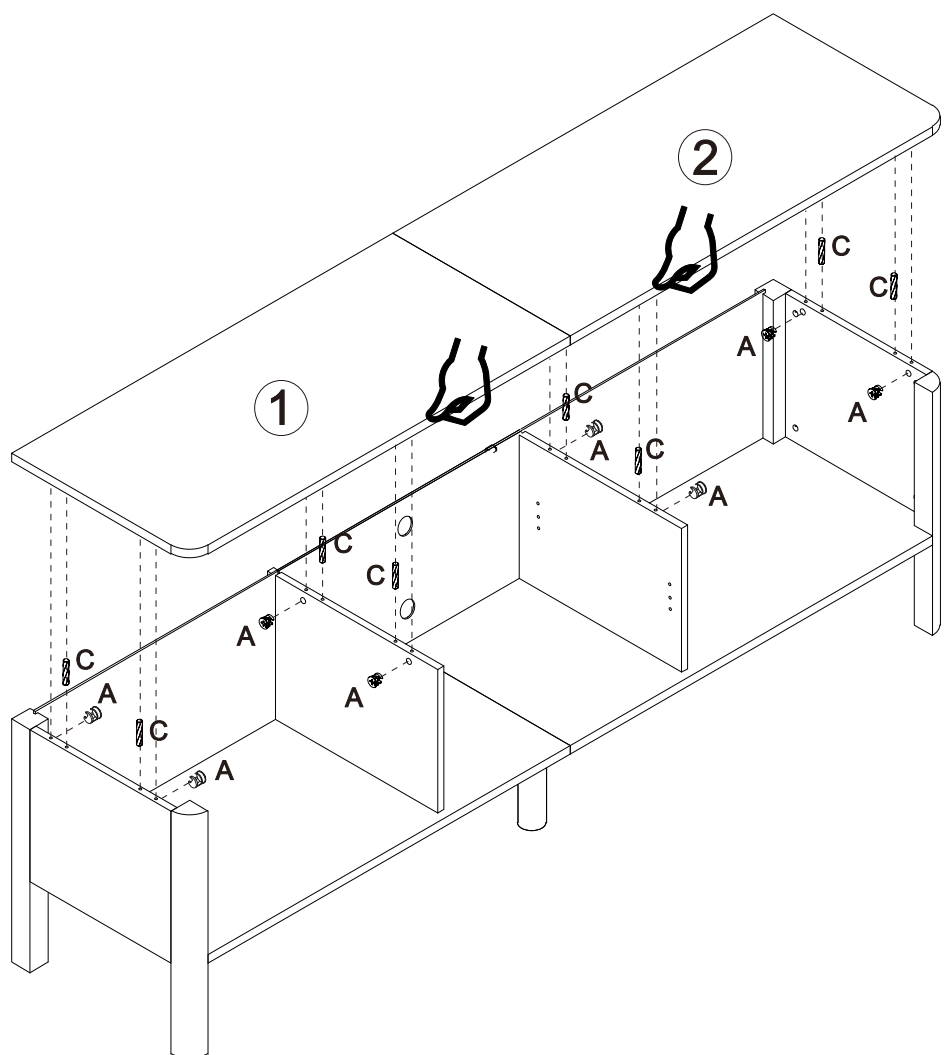
# Step 11

	Bx8
	Fx8
	Gx2



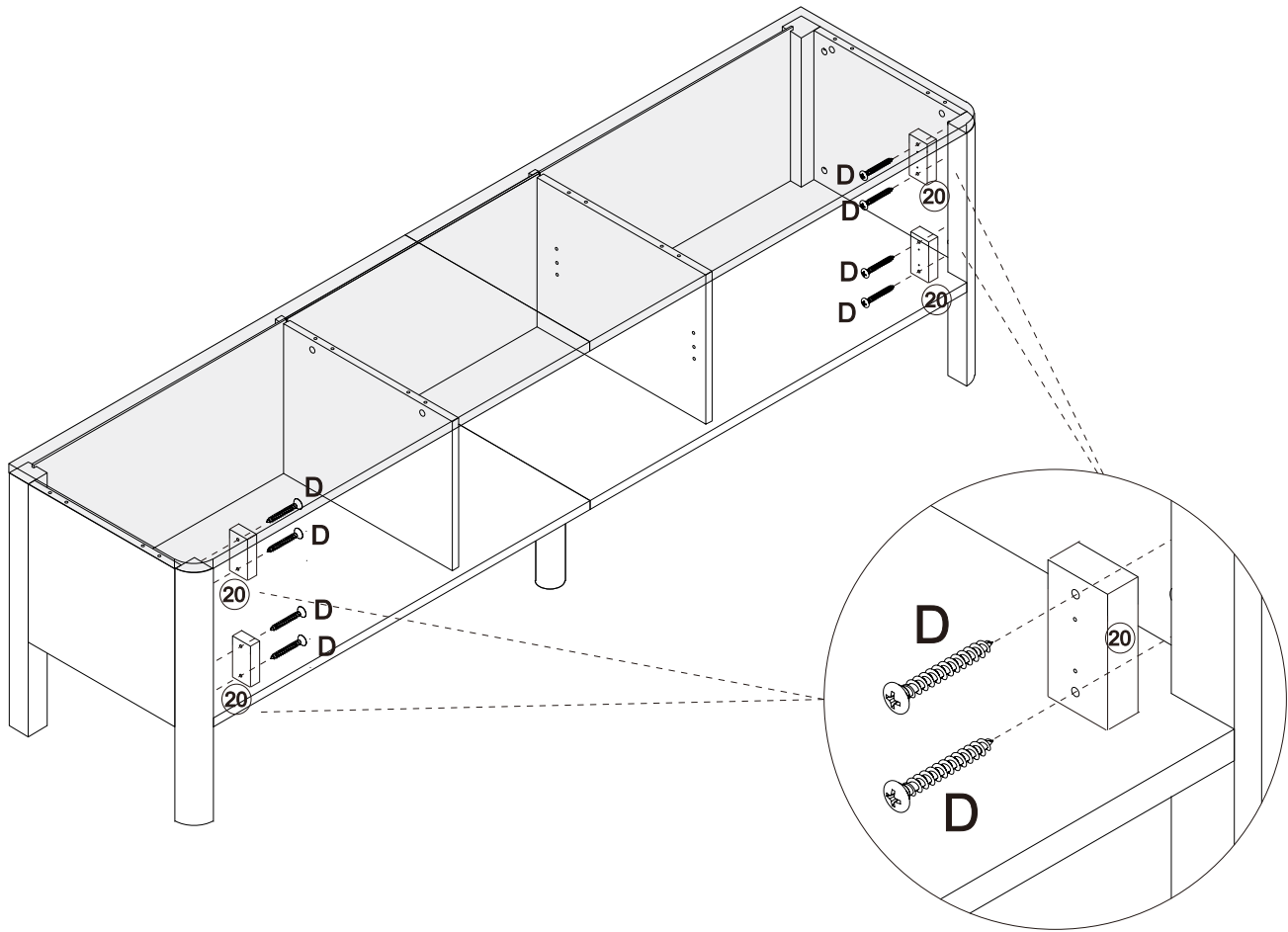
# Step 12

	Ax8
	Cx8



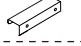



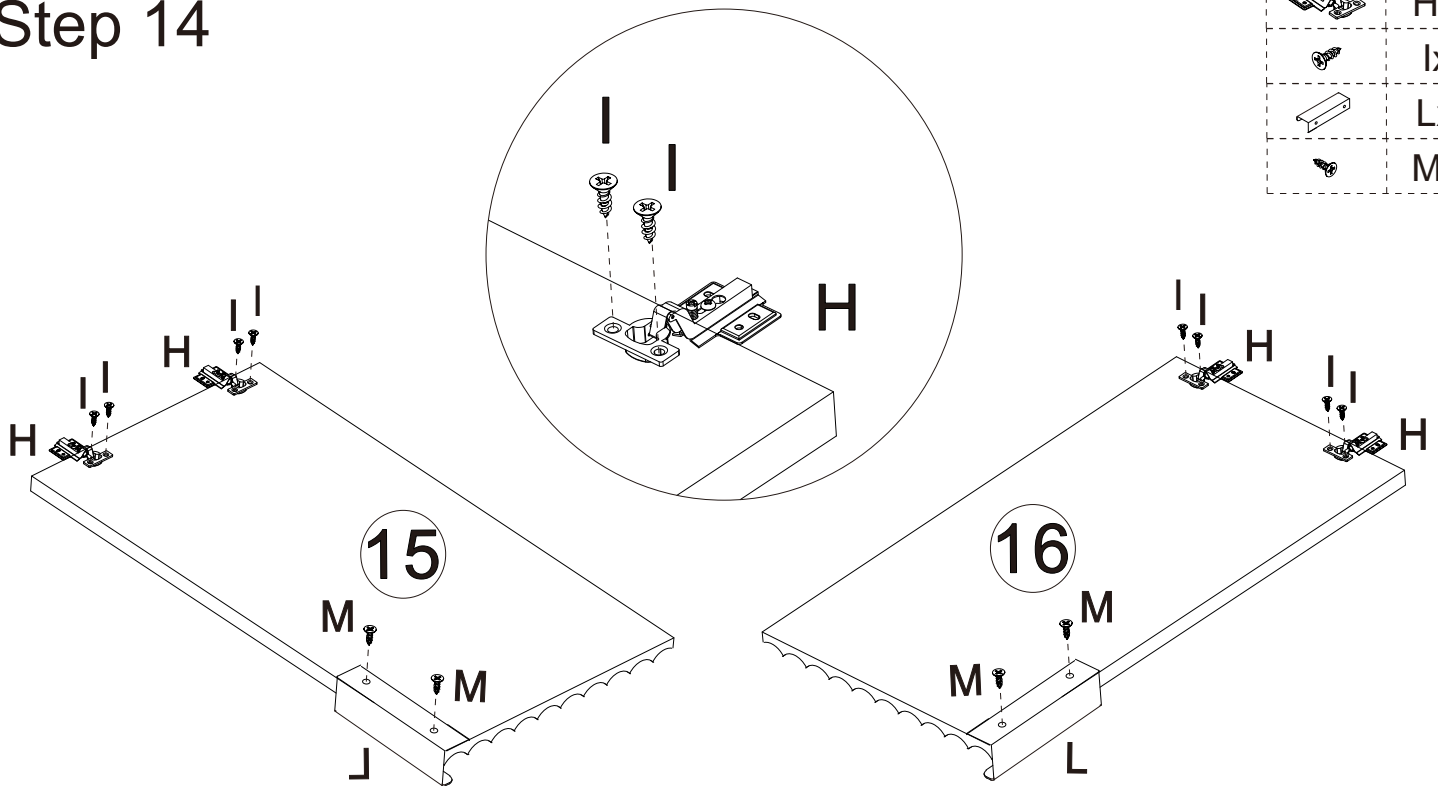
# Step 13

 Dx8



# Step 14

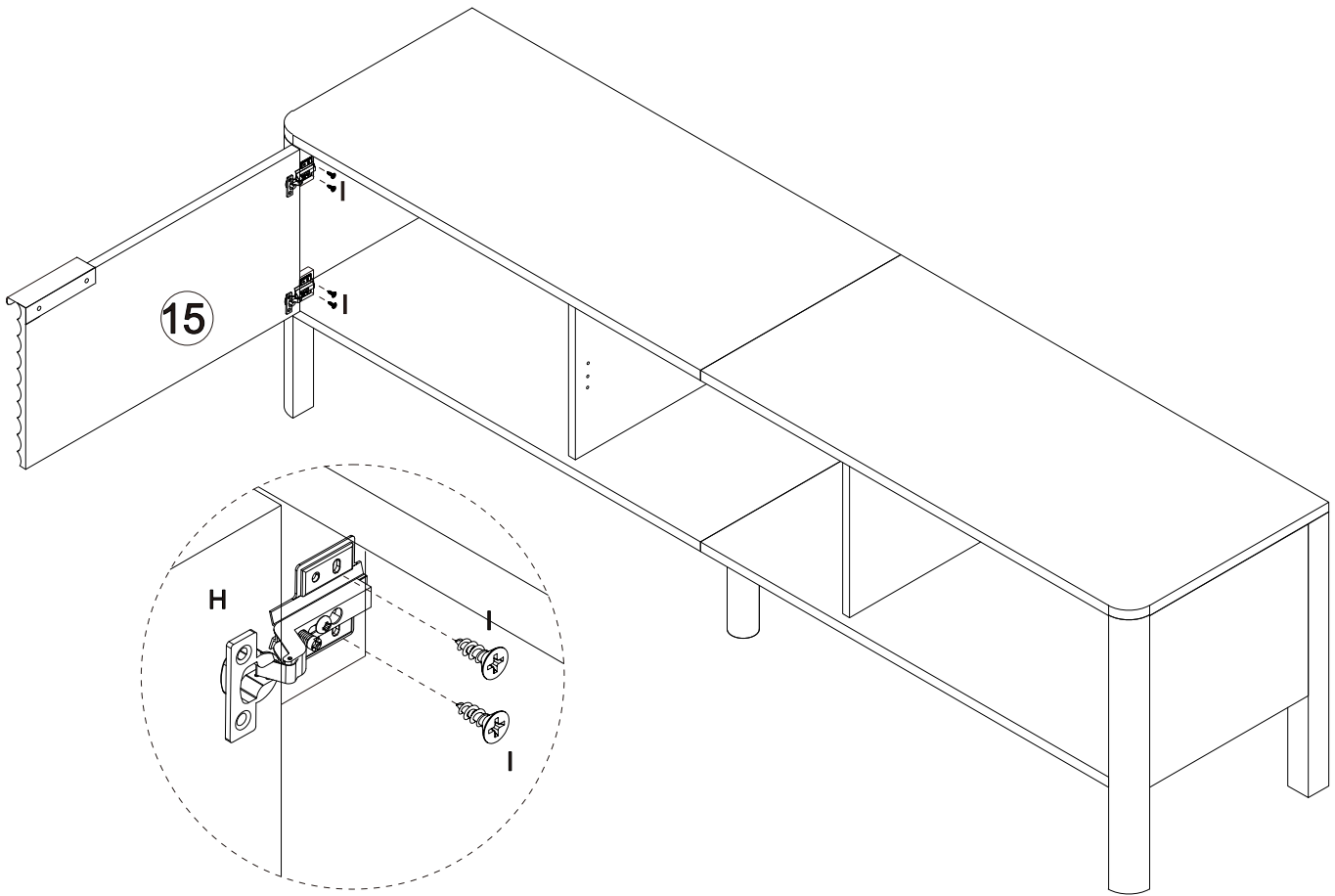
 Hx4  
 lx8  
 Lx2  
 Mx4



# Step 15



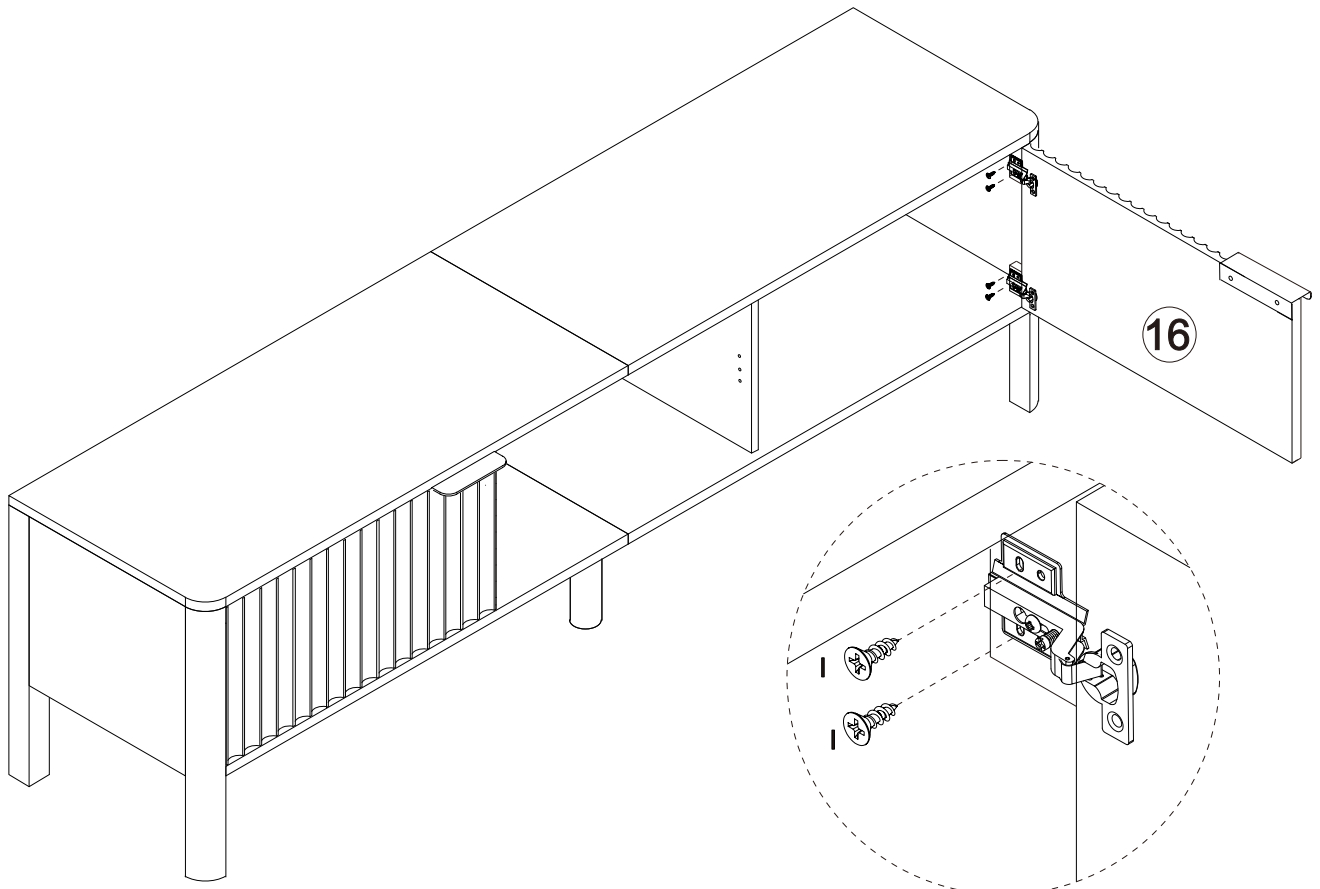
1x4



# Step 16



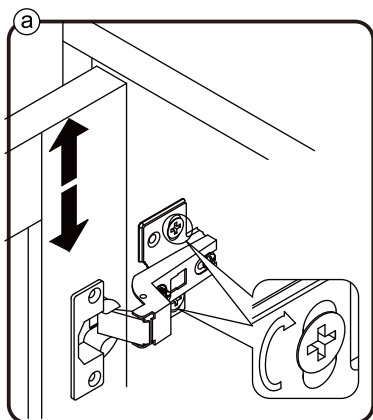
1x4



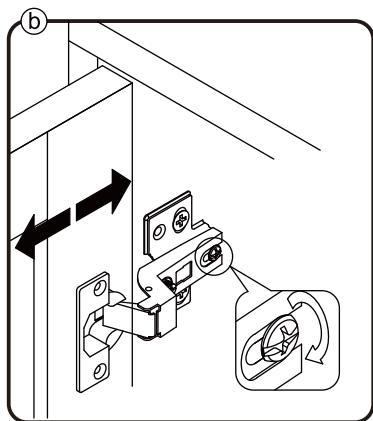
# Step 17



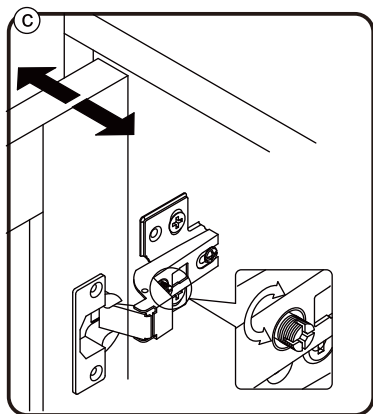
lx8



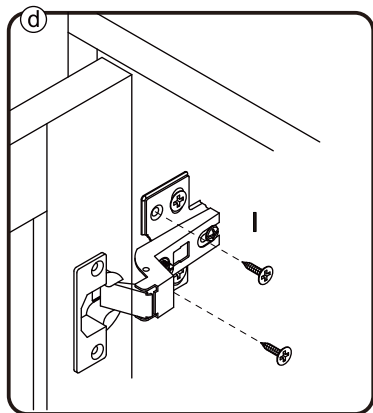
To adjust the door vertically loosen the screw as shown and move up and down as needed.



To adjust the gap from the door to the main frame turn the screw clockwise or anti-clockwise as needed.



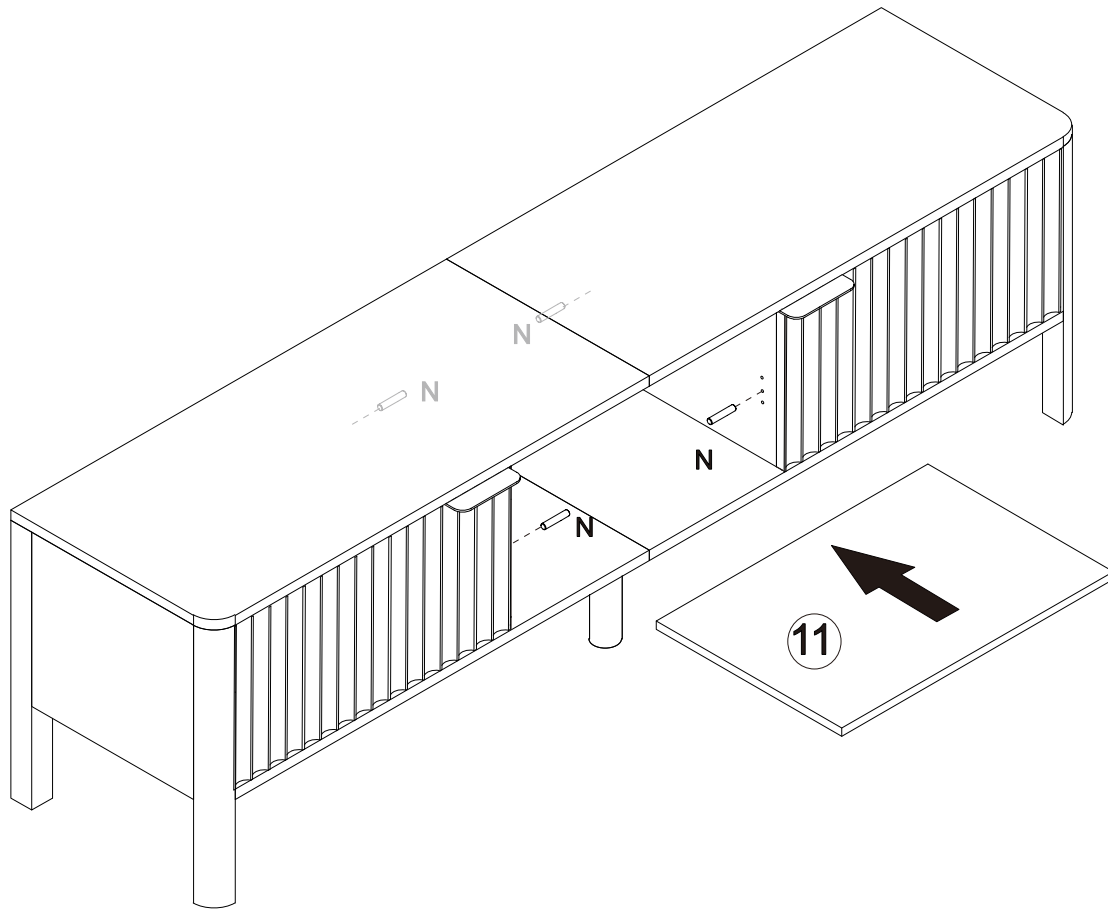
To adjust the door laterally adjust the screw as shown by turning clockwise or anti-clockwise.



Lock the final screws right in for product stability.

# Step 18

 Nx4



# Step 19

 Kx12

