

KEY:

- B = Back panel
- L = Left Side panel
- F = Front panel
- R = Right Side panel
- RT = Roof Top panel
- BT = Base tray

COMPONENTS:

Casters
4 pcs



Connector
Rails
12 pcs



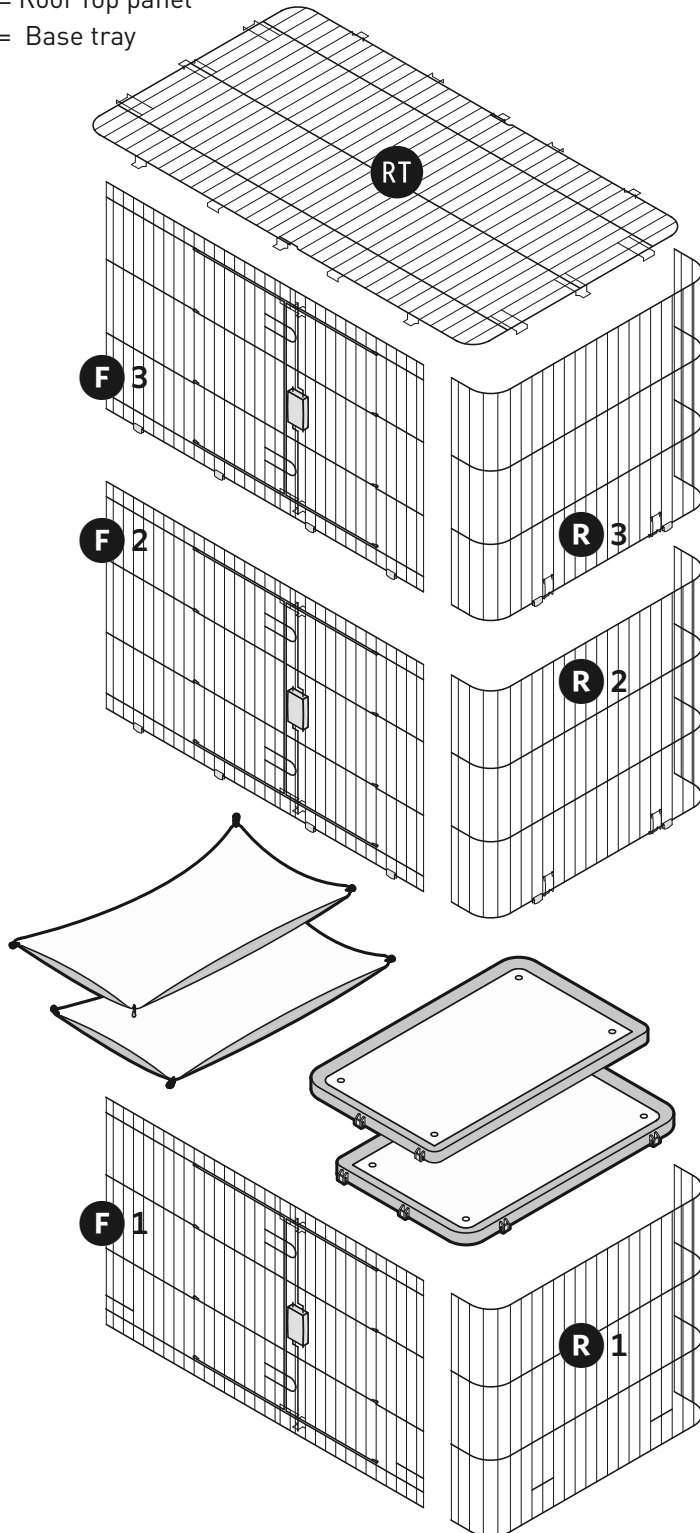
"T" Clips
4 pcs



"+" Clips
8 pcs



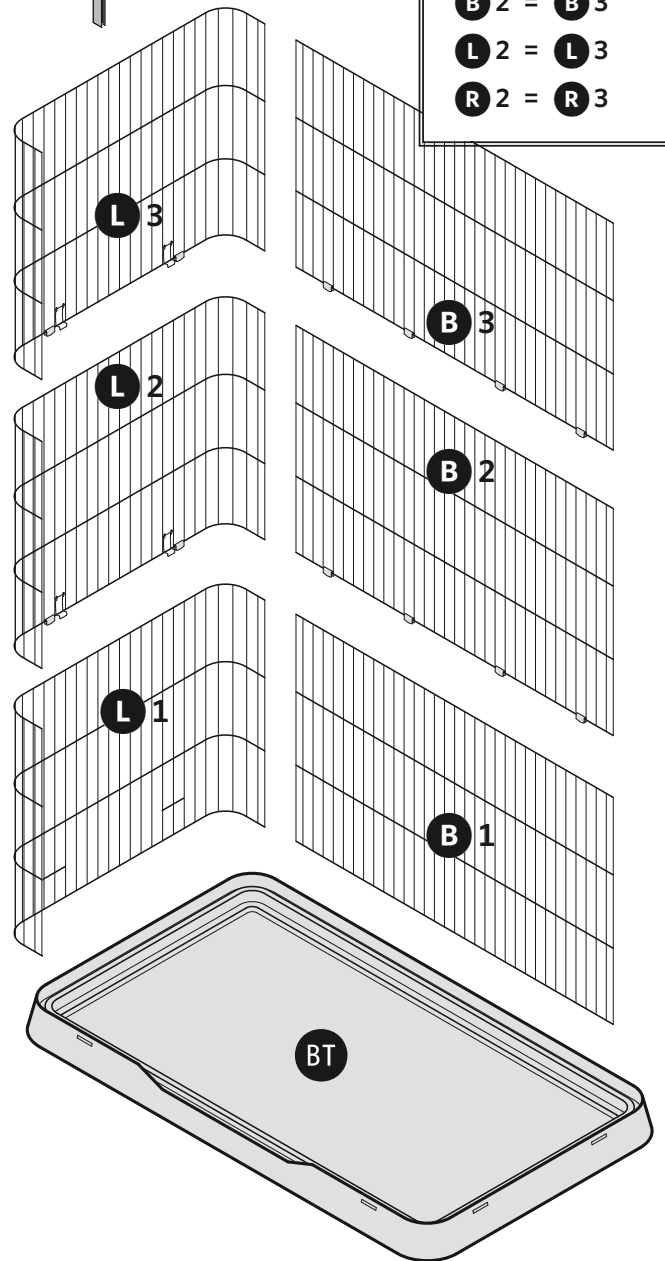
Base Clips
8 pcs



*

These panels are interchangeable:

- L** 1 = **R** 1
- F** 2 = **F** 3
- B** 2 = **B** 3
- L** 2 = **L** 3
- R** 2 = **R** 3



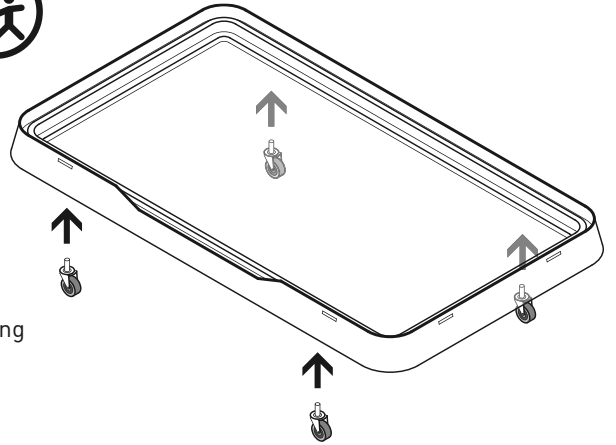
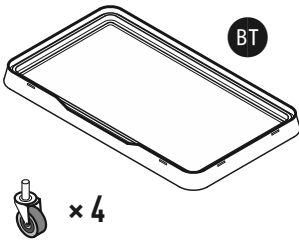
NO TOOLS REQUIRED • For best results, follow the Assembly Steps in the order presented.

KEY:

L = Left B = Back
 R = Right F = Front
 RT = Roof top BT = Base Tray

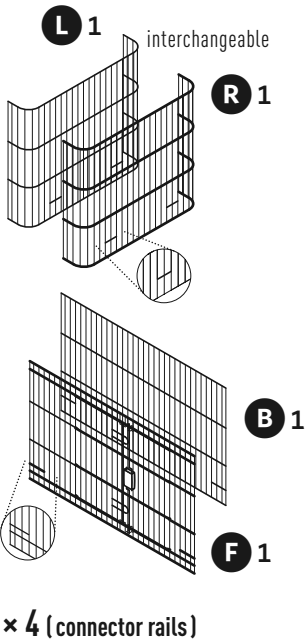
* It may be helpful to have an assistant for assembly.

1 PIECES



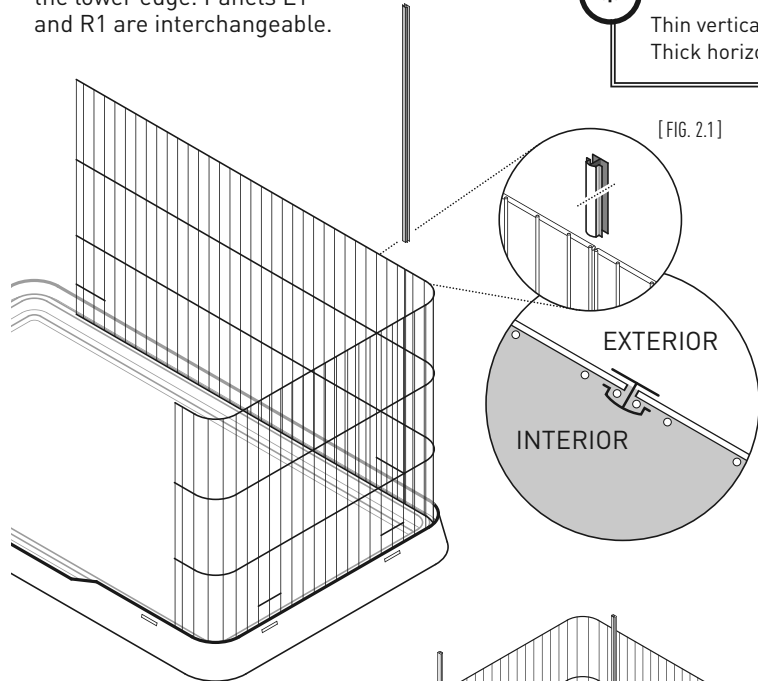
Turn the base over and insert the rolling casters.

2 PIECES

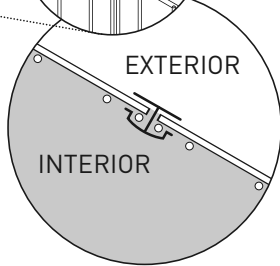


The four bottom panels have short horizontal bars near the lower edge. Panels L1 and R1 are interchangeable.

* Stand the side panel and back panel in place.
 Thin vertical wires face the interior.
 Thick horizontal wires face the exterior.

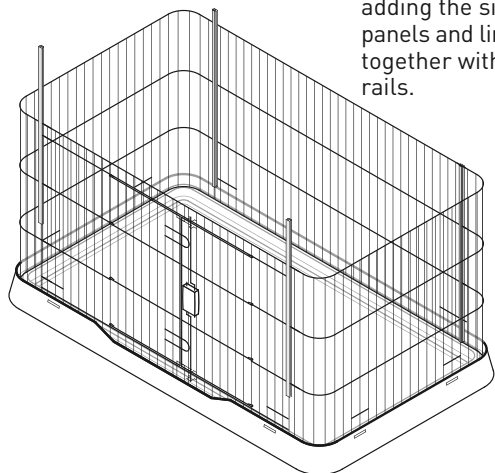


[FIG. 2.1] Slide a connector rail down over the two-panel seam until the tops are flush. [See Fig. 2.1 and Fig. 2.2]
Note: The flat surface of the connector rail faces the exterior. The rounded surface faces the interior.

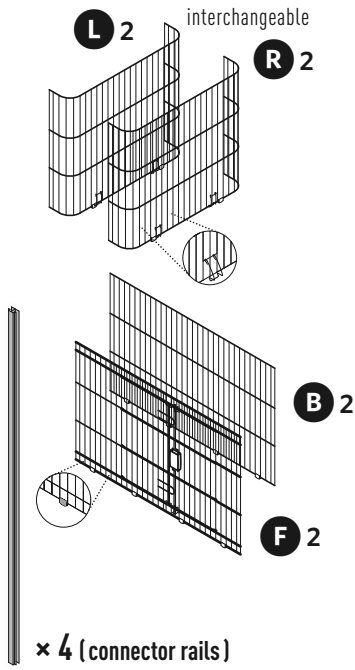


[FIG. 2.2] Showing Fig. 2.1 as viewed from above

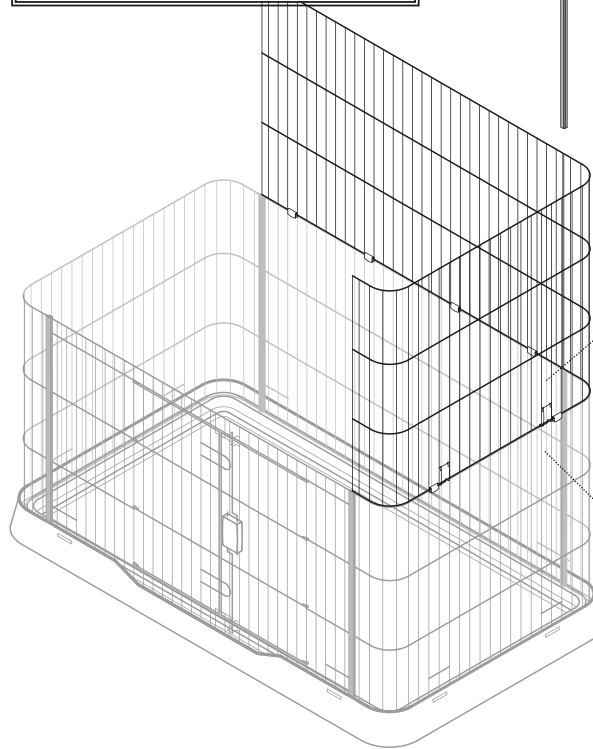
Continue around the cage, adding the side and front panels and linking panels together with connector rails.



3 PIECES



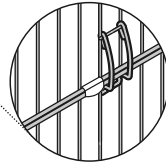
* Second and third tier panels feature guide tabs along the bottom edges.



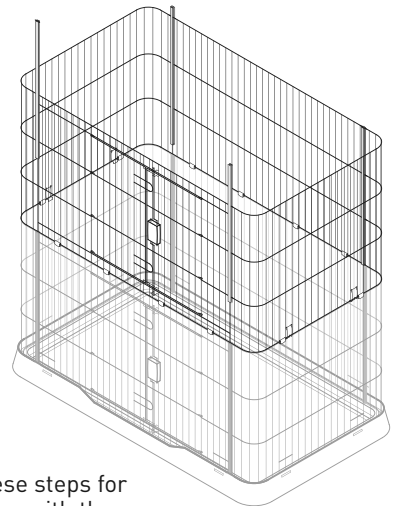
Starting from the right side, align the R2 panel directly over the lower panel, using the tabs as guides.

Link the panels together by pressing down at the middle (apex) of the wire clips.

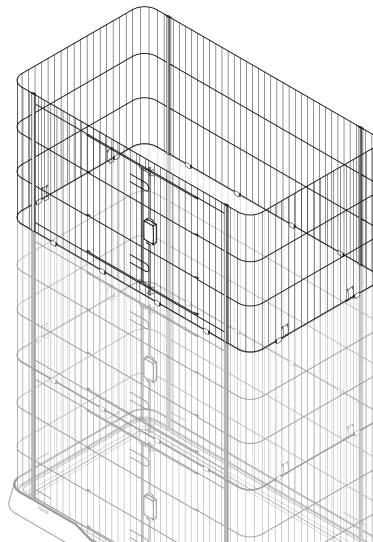
Align the B2 panel directly over the lower panel, using the guide tabs. Slide a connector rail down over the two-panel seam, to link R2 and B2 panels together.



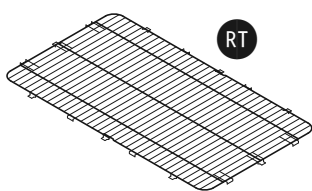
Continue around the cage, adding the side and front panels and linking panels together with the connector rails.



Repeat these steps for the third tier with the duplicate set of panels and connector rails.

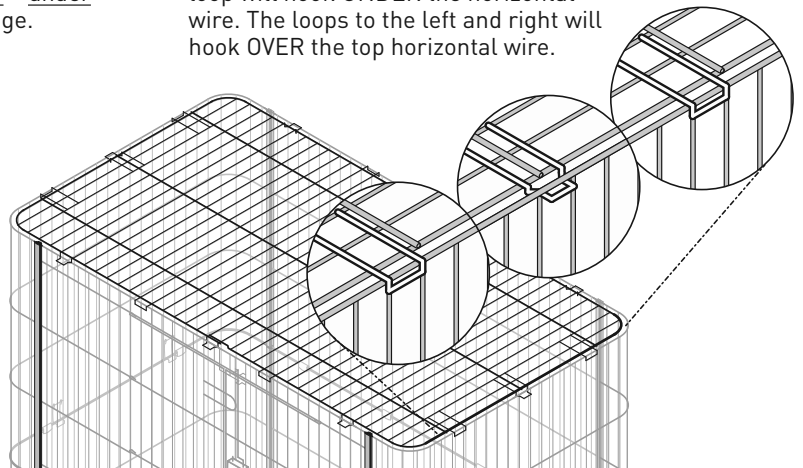


4 PIECES

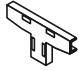


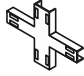
Lay the roof panel over the top. Weave the loops over - under - over all along the edge.


For example: From the side, the center loop will hook UNDER the horizontal wire. The loops to the left and right will hook OVER the top horizontal wire.



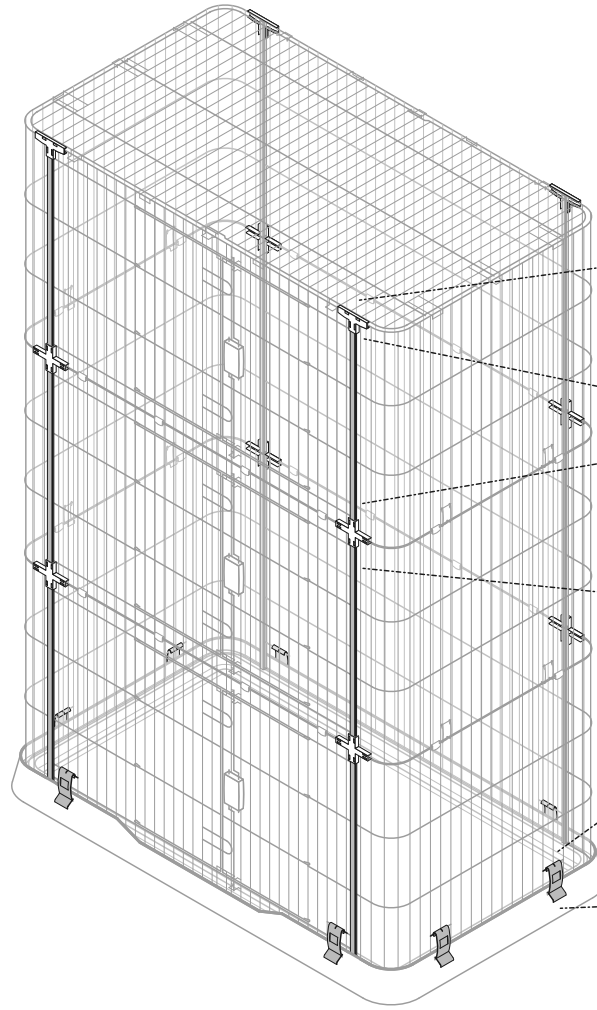
5 PIECES

 × 4 ("T" clips)

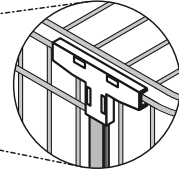
 × 8 ("+" clips)

 × 8 (base clips)

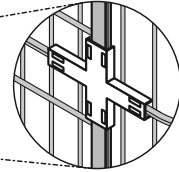
Add a connector clip at each panel intersection, pressing each down until they click and all surfaces are flush.



"T" clips DO NOT connect to the roof panel. There is a safe gap between the roof and the cage panels. The "T" clip is not designed to bridge this gap.



"T" clips connect the intersections along the front & back top edge.

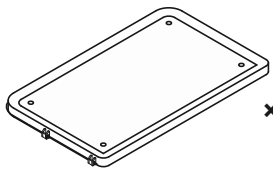


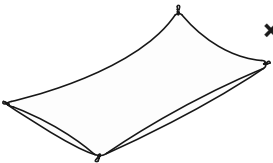
"+" clips connect the intersection of panels on the front and back.



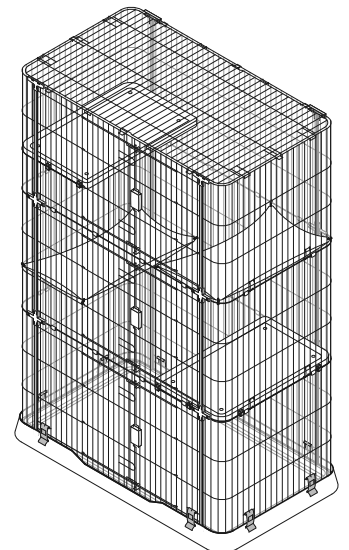
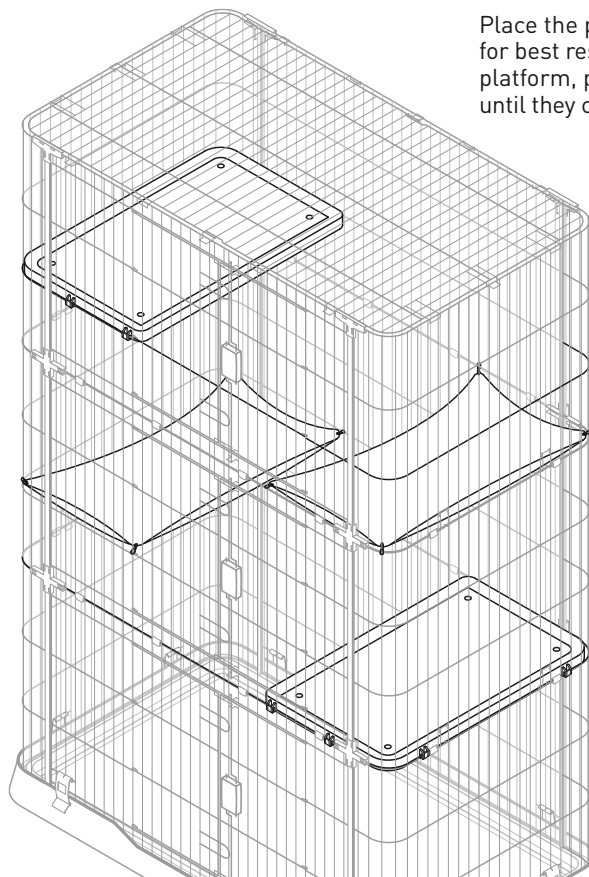
Base clips connect cage to base. Hook the "claw" end onto the short horizontal wire. Press your thumb into the dimple and press down until it clicks into the slot on the cage base.

6 PIECES

 × 2

 × 2

Place the platforms at the positions illustrated here for best results. For secure attachment and a stable platform, press the tabs down onto the cage wires until they click. Hammocks may be placed anywhere.



Assembly completed. 