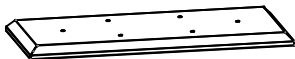


ASSEMBLY INSTRUCTION

1. - 2PCS



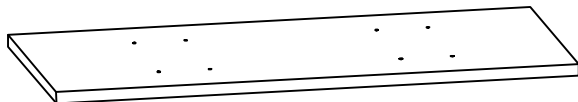
2. - 1PC



3. - 2PCS



4. - 1PC



A. 6PCS*M10*16MM
MBSCREWS

B. - 1PC



C. - 14PCS



D. 8PCS*M8*16MM
MBSCREWS



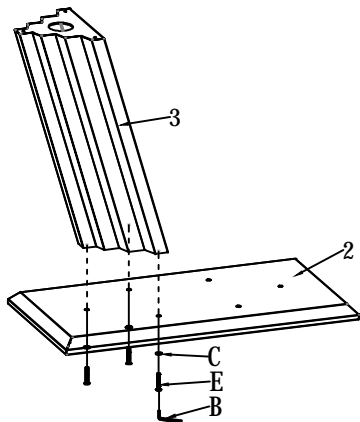
E. 6PCS*M10*50MM
MBSCREWS



1

3HOLES

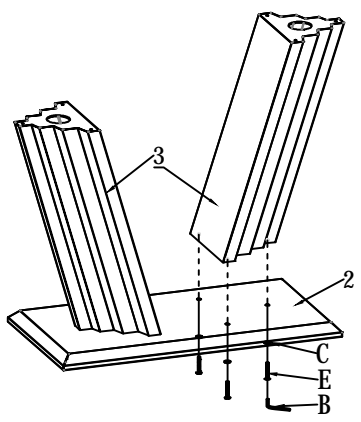
Screws: 3PC*M10*50MM



2

3HOLES

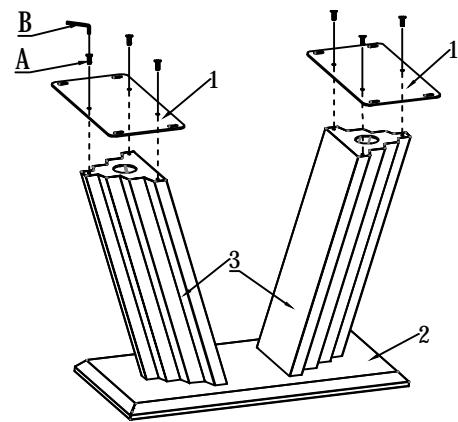
Screws: 3PC*M10*50MM



3

6HOLES

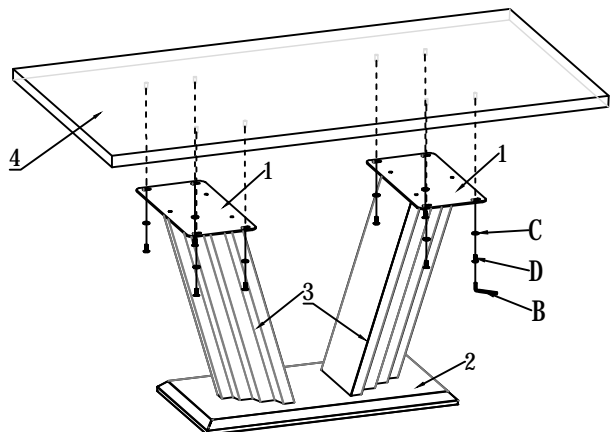
Screws: 6PCS*M10*16MM



4

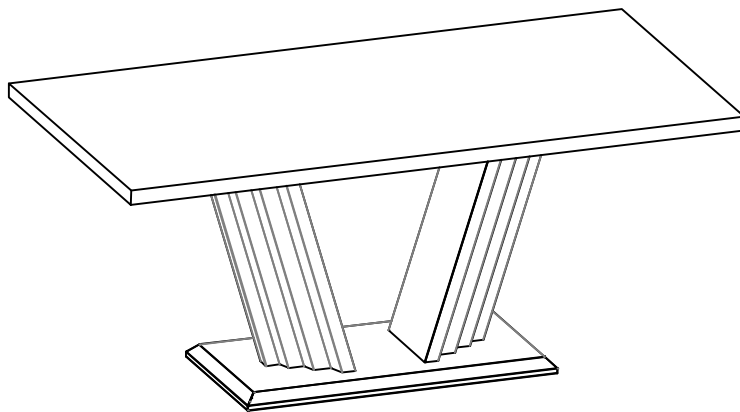
8HOLES

Screws: 8PCS*M8*16MM



5

COMPLETE



Note: Make sure all screws attached placing into right places before install tightly!!